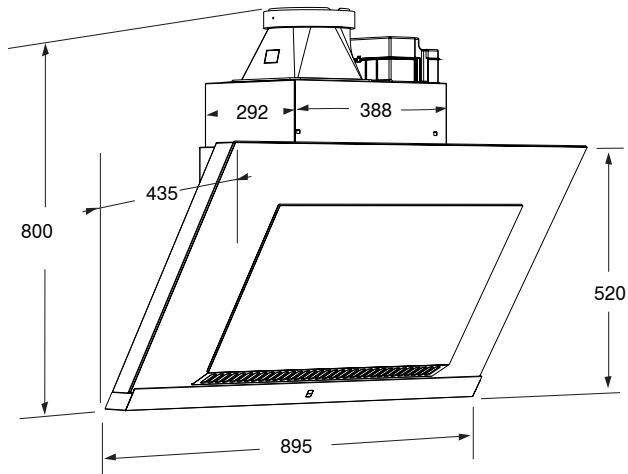
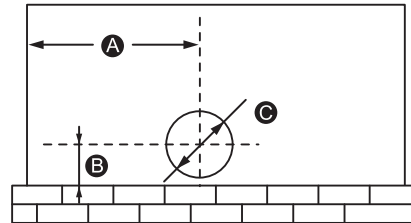


Overall dimensions

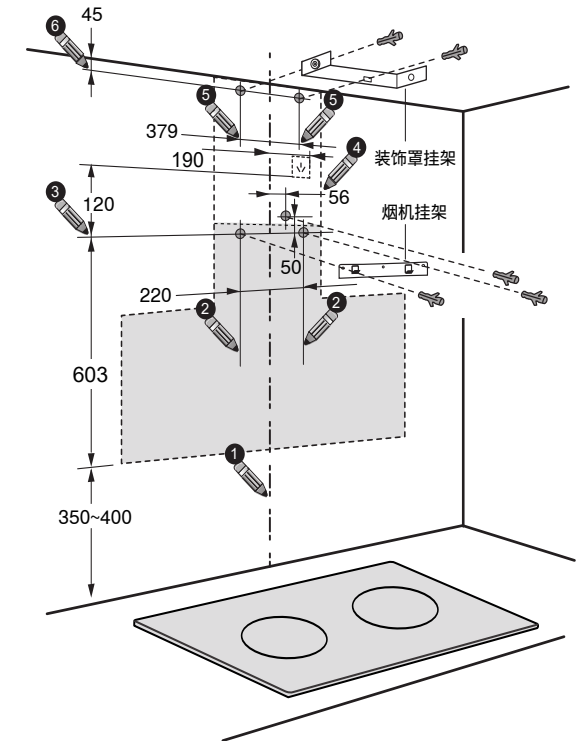


Schematic diagram of air outlet (upward view)



尺寸“A”	415
尺寸“B”	140
尺寸“C”	∅190

Schematic diagram of installation

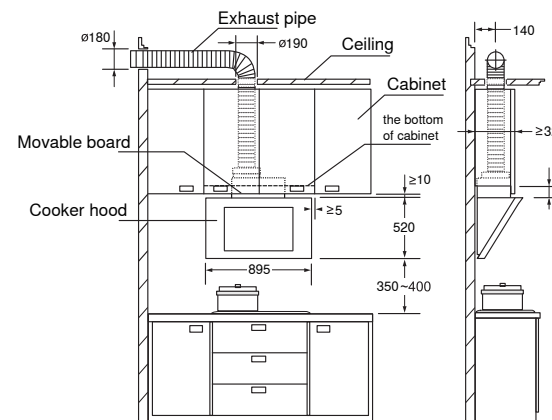


Ordering instructions for paid installation accessories

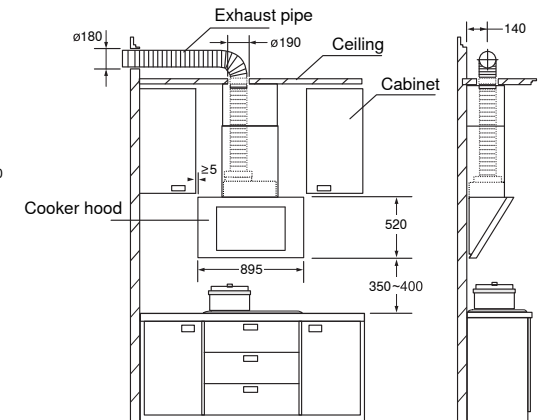
Outer duct (WxDxH)	Inner duct (WxH)	Applicable ceiling height
410x300x500	410x300	2270 ~ 2550

Please contact local after-sales service about installation and spare parts purchase.

Schematic diagram of cabinet



Schematic diagram of ceiling



Remark: The part above the cooker hood should be a movable board for convenience loading and unloading the cooker hood.

Accessories: Outer duct, Inner duct