



BOSCH



Register your
new device on
MyBosch now and
get free benefits:
[bosch-home.com/
welcome](https://bosch-home.com/welcome)

Chest-freezer

GCZ..

en Table of contents

Safety and warning information	3
Directions for disposal	4
Specifications supplied	4
Installing the appliance	4
Connecting the appliance	6
Getting to know the appliance	6
Switching on the appliance	7
Setting the temperature	7
Super freezing function	7
Alarm functions	8
Usable capacity	8
Fridge compartment (cooler mode)	8
Freezer compartment (freezer mode)	8
Max. freezing capacity	8
Freezing and storing	9
Freezing fresh food	9
Defrosting frozen food	9
Fittings	10
Switching off and shutting down the appliance	10
Defrosting	10
Cleaning the appliance	11
Smells	11
Lighting (LED)	11
Saving energy	12
Operation noises	12
Rectifying minor faults yourself	13
After-sales Service	14

Safety and warning information

Before you switch ON the appliance

Please read the operating and installation instructions carefully! They contain important information on how to install, use and maintain the appliance.

The manufacturer is not liable if you fail to comply with the instructions and warnings. Retain all documents for subsequent use or for the next owner.

Technical safety

The tubes of the refrigeration circuit convey a small quantity of an environmentally friendly but flammable refrigerant (R600a). It does not damage the ozone layer and does not increase the greenhouse effect. If refrigerant escapes, it may injure your eyes or ignite.

If damage has occurred

- Keep naked flames and/or ignition sources away from the appliance,
- thoroughly ventilate the room for several minutes,
- switch off the appliance and pull out the mains plug,
- inform customer service.

The more refrigerant an appliance contains, the larger the room must be in which the appliance is situated. Leaking refrigerant can form a flammable gas-air mixture in rooms which are too small.

The room must be at least 1 m³ per 8 g of refrigerant. The amount of refrigerant in your appliance is indicated on the rating plate inside the appliance.

If the power cord of this appliance is damaged, it must be replaced by the manufacturer, customer service or a similarly qualified person. Improper installations and repairs may put the user at considerable risk.

Repairs may be performed by the manufacturer, customer service or a similarly qualified person only.

Only original parts supplied by the manufacturer may be used. The manufacturer guarantees that only these parts satisfy the safety requirements.

WARNING: When positioning the appliance, ensure the supply cord is not trapped or damaged.

WARNING: Do not locate multiple portable socket-outlets or portable power supplies at the rear of the appliance.

Important information when using the appliance

- Never use electrical appliances inside the appliance (e.g. heaters, electric ice-makers). Explosion hazard!
- Never defrost or clean the appliance with a steam cleaner! The steam may penetrate electrical parts and cause a short-circuit. Risk of electric shock!
- Do not use pointed or sharp-edged implements to remove frost or layers of ice. You could damage the refrigerant tubes. Leaking refrigerant may cause eye injuries or ignite.
- Do not store products which contain flammable propellants (e.g. spray cans) or explosive substances in the appliance. Explosion hazard!

- Do not stand on or lean heavily against base of appliance, drawers or doors, etc.
- For defrosting and cleaning, pull the mains plug out or switch off the fuse. Do not pull out the mains plug by tugging on the power cord.
- Store high-percentage alcohol tightly closed and standing up.
- Keep plastic parts and the door seal free of oil and grease. Otherwise, parts and door seal will become porous.
- Never cover or block the ventilation openings of the appliance!
- **Avoiding placing children and vulnerable people at risk:**
At risk are children, people who have limited physical, mental or sensory abilities, as well as people who have inadequate knowledge concerning safe operation of the appliance.
Ensure that children and vulnerable people have understood the hazards.
A person responsible for safety must supervise or instruct children and vulnerable people who are using the appliance.
Only children from 8 years and above may use the appliance.
Supervise children who are cleaning and maintaining the appliance.
Never allow children to play with the appliance.
- Do not store bottled or canned drinks (especially carbonated drinks) in the freezer compartment. Bottles and cans may burst.
- Never put frozen food straight from the freezer compartment into your mouth.
Risk of low-temperature burns!
- Avoid prolonged touching of frozen food, ice or the evaporator pipes, etc. Risk of low-temperature burns!

Children in the household

- Keep children away from packaging and its parts. Danger of suffocation from folding cartons and plastic film!
- Do not allow children to play with the appliance!
- If the appliance features a lock:
Keep the key out of the reach of children!.

General requirements

The appliance is suitable

in the cooler mode

- for refrigerating food

in the freezer mode

- for freezing food,
- for making ice.

This appliance is intended for use in the home and the home environment.

The appliance is suppressed according to EU Directive 2004/108/EC.

The refrigeration circuit has been checked for leaks.

This product complies with the relevant safety regulations for electrical appliances (EN 60335-2-24).

This appliance is intended for use up to a maximum height of 2000 metres above sea level.

Directions for disposal

Disposing of packaging

The packaging protects your appliance from damage during transport. All the materials used are environmentally friendly and can be recycled. Please help by disposing of the packaging in an environmentally responsible manner.

Information about the available disposal methods and sites can be obtained from your appliance retailer or your local authority.

Disposing of your old appliance

Used appliances are not valueless waste. Valuable raw materials can be recovered through environmentally responsible disposal.



This appliance is labelled in accordance with European Directive 2012/19/EU concerning used electrical and electronic appliances (waste electrical and electronic equipment - WEEE).

The Directive determines the framework for the return and recycling of used appliances as applicable throughout the EU.

Warning

Appliances at the end of their useful life:

1. Unplug the mains plug.
2. Cut the power cord and remove it along with the mains plug.
3. Do not remove the shelves and containers. Leaving them intact makes it more difficult for children to climb in.
4. Never let children play with a disused appliance.
Risk of asphyxiation!

Refrigerators contain refrigerant as well as gases in the insulation material. Refrigerant and gases must be disposed of properly. Do not damage the refrigerant circuit pipes before disposing of them properly.

Specifications supplied

After unpacking the appliance, check all parts for transport damage.

If you find any defects, contact the retailer from whom you purchased the appliance or our After-sales Service.

The appliance supplied consists of the following components:

- Free-standing appliance
- Features (vary depending on the model)
- Bag of assembly materials
- Instructions for use and installation
- Service record
- Guarantee slip
- Information on energy consumption and noise

Installing the appliance

Transport

Because of the weight and size of the appliance, and in order to minimise the risk of personal injury or damage to the appliance, at least two persons are required for moving and positioning the appliance safely.

For transport, smooth-running castors are attached to the appliance.

Caution

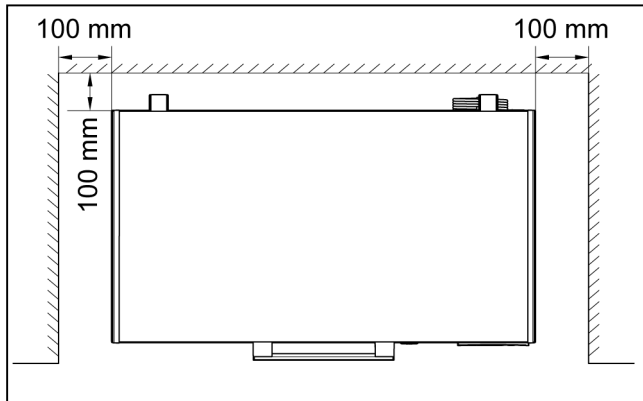
- Do not move the appliance over uneven or soft ground on its castors.
- Prior to each transport, clear out the appliance completely. Otherwise, the castors are damaged.
- Do not run over the power cord with the castors.

Floor surface

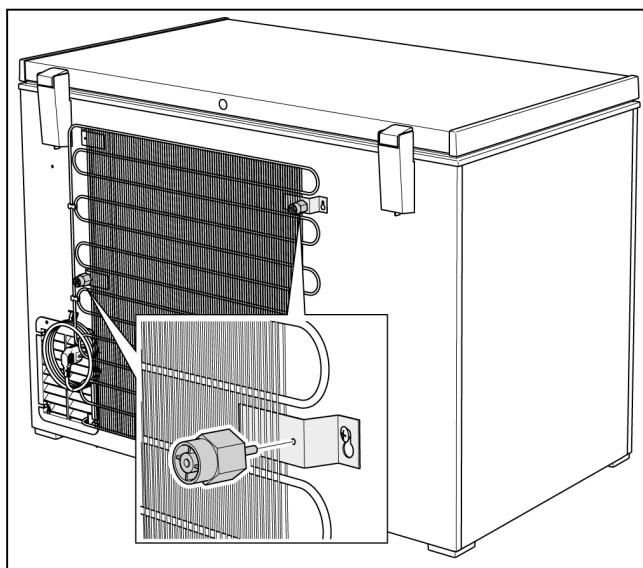
The floor at the installation site must not give. Reinforce the floor if necessary.

Wall clearance

If the appliance is positioned in the corner of a room or a recess, minimum clearances must be maintained so that the heated air is able to escape unimpeded.



Screw the enclosed spacers to the designated holders.



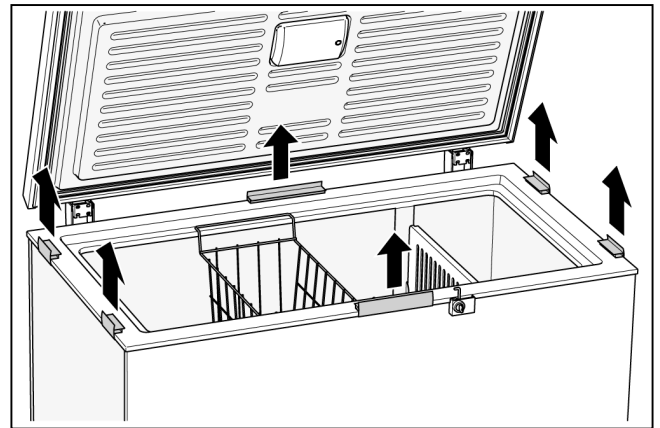
Installation site

The ideal installation site is a dry, well ventilated room. The appliance should not be installed in a position that is exposed to direct sunlight or close to a source of heat, such as a cooker or radiator. If installation near to a source of heat is unavoidable, use a suitable insulating panel or keep to the following minimum distances from the source of heat:

- 3 cm from an electric or gas cooker.
- 30 cm from oil or solid fuel cookers.

Transport locks

Open the cover and remove the transport locks between lid and device.



Observe the room temperature and ventilation requirements

Room temperature

The appliance is designed for a certain climate class. Depending on the climate class, the appliance can be operated at the following ambient temperatures. The climate class is specified on the rating plate.

Climate class	Permissible room temperature
SN	+10 °C to 32 °C
N	+16 °C to 32 °C
ST	+16 °C to 38 °C
T	+16 °C to 43 °C

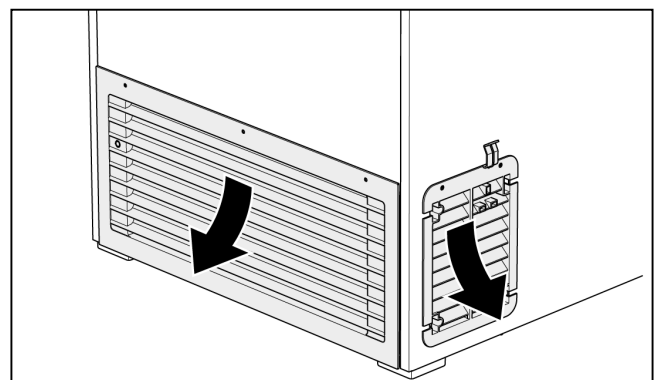
Note

The appliance is fully functional within the room temperature limits of the specified climate class. If an appliance in the SN climate class is operated at lower ambient temperatures, damage to the appliance can be excluded up to a temperature of +5 °C.

Ventilation

The heated air must be able to escape unimpeded. Otherwise, the refrigerating unit has to work harder, which increases the appliance's power consumption. Therefore:

- Never cover over or block the air vent.
- Keep minimum distances to walls and furniture.



Connecting the appliance

After setting up the appliance, wait for at least 2 hours before starting the appliance up. The oil contained in the compressor may have been displaced into the refrigeration system during transport.

Before starting the appliance up for the first time, clean its interior (see section headed Cleaning the appliance).

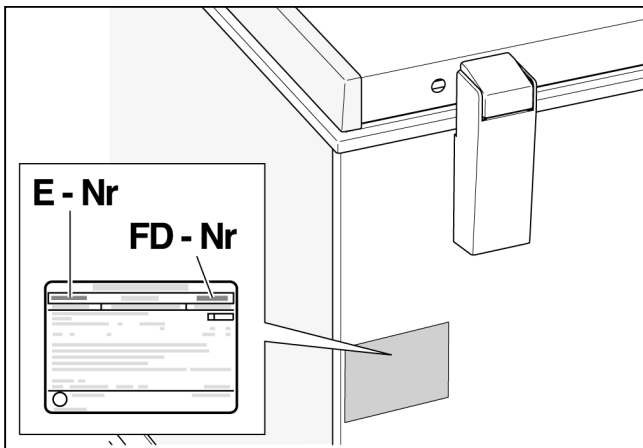
Before connecting the appliance, make sure that the condensation drain with the two drain plugs is properly closed.

Electrical connection

The socket must be near to the appliance and easily accessible after the appliance has been installed.

The appliance conforms to protection class I. Connect the appliance to a 220-240 V/50 Hz alternating current supply using a socket with protective earthing conductor which has been correctly installed. The socket must be protected by a fuse with a rating of 10 A to 16 A.

In the case of appliances operated outside of Europe, check whether the voltage and type of current specified conform to the values of your electricity grid. You will find this information on the rating plate.



Warning

The appliance must never be connected up to an electronic energy-saving socket.

Sinusoidal-commutated and line-commutated inverters can be used with our appliances. Line-commutated inverters are used with photovoltaic systems that are connected directly to the national grid. Sinusoidal-commutated inverters must be used with standalone applications (e.g. on ships or mountain huts) that do not have a direct connection to the national grid.

Levelling the appliance

Use a spirit level to align the appliance.

Level out any unevenness in the ground using support spacers.

Note

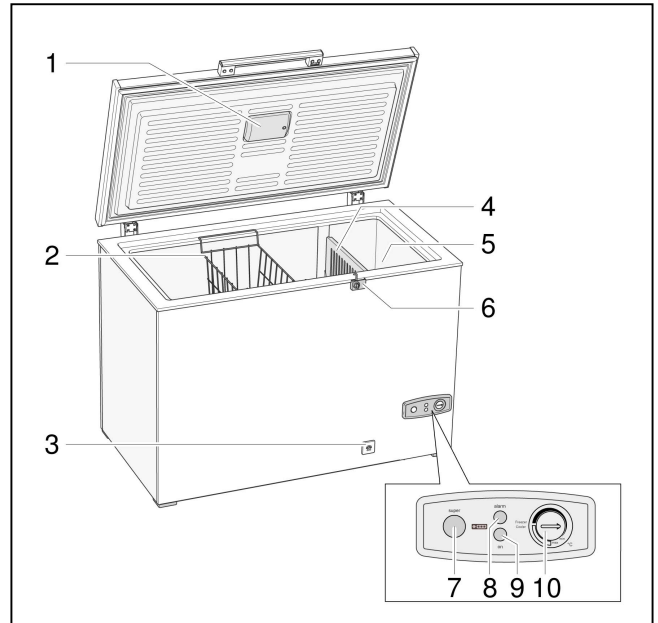
If required, secure the appliance against rolling away.

Getting to know the appliance

Appliance

The features of the models may vary.

The illustrations may differ from your particular model.



- 1 LED light
- 2 Basket
- 3 Condensation drainage with drain plugs
- 4 Removable separating wall
- 5 Pre-freezing compartment
- 6 Lock
- 7 "super" button
For switching the super freezing function on and off.
- 8 "alarm" indicator
The indicator lights up if it is too warm in the device.
- 9 "on" indicator
The indicator lights up if the appliance is switched on.
- 10 Temperature controller
For setting the temperature.

Switching on the appliance

Plug the mains plug into the mains outlet socket.
 The "on" indicator lights up.
 The appliance will start cooling.
 The "alarm" indicator lights up.
 The light comes on when the lid is opened.

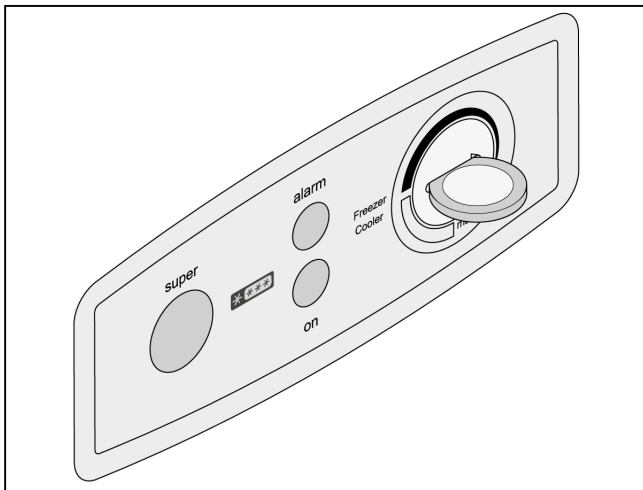
Notes on using the appliance

- After switching on the appliance, it may be several hours before the set temperature is reached.
 Store food in the appliance only if the display "alarm" is not lit any longer.
- If you cannot open the lid again immediately after closing it, wait a moment for the low pressure created to equalise.

Setting the temperature

The appliance can be operated in the freezer or cooler mode.

We recommend setting the temperature by using a coin.



Warmer temperature: Turn counter-clockwise.

Colder temperature: Turn clockwise.

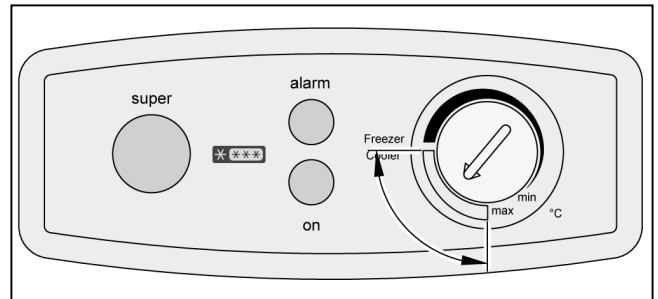
Note

When the appliance is switched from the freezer mode to the cooler mode, water can accumulate at the bottom of the appliance. The water must be removed, see section headed Defrosting.

Cooler mode

Turn the temperature controller in the lower range to the desired position.

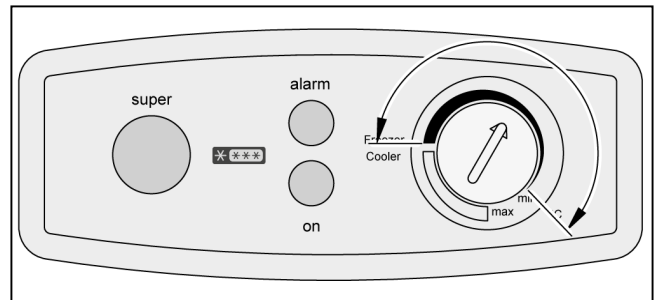
We recommend a medium setting, as shown in the figure.



Freezer mode

Turn the temperature controller in the upper range to the desired position.

We recommend a medium setting, as shown in the figure.



Super freezing function

Food should be frozen thoroughly as quickly as possible. This ensures that vitamins, nutritional values, the look and the taste of the food is retained.

Switch on super freezing a few hours before placing fresh food in the freezer in order to prevent a drop in temperature.

In general, 4 - 6 hours is sufficient.

If the maximum freezing capacity is to be used, super freezing should be switched on 24 hours before placing the fresh food in the appliance.

Small quantities of food for freezing (up to 10 % of the maximum freezing capacity) can be frozen without using the super freezing function.

Note

When super freezing is switched on, the appliance may make more noise.

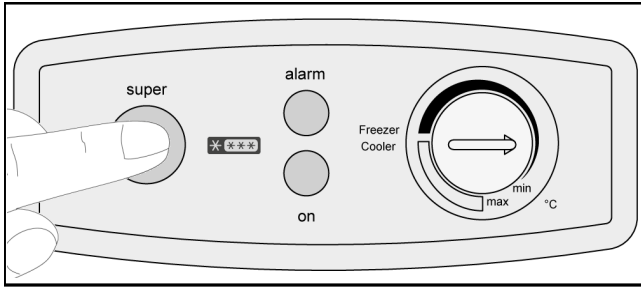
Super freezing does not switch off automatically. To save energy, switch off super freezing as soon as it is not required any longer.

⚠ Caution

Turn super freezing when the appliance is operated in the cooling mode. Otherwise, the food in the appliance is frozen.

Switching on

Press the "super" button. The button lights up.



When the function is switched on, the appliance operates continuously. As a result, a very cold temperature in the freezer compartment is achieved.

Switching off

Press the "super" button.

Alarm functions

Temperature alarm

The "alarm" indicator lights up if it becomes too warm in the appliance and the food is at risk.

When the appliance is first used, the "alarm" indicator lights up until the set temperature is reached.

Note

As soon as the set temperature is reached again, the display "alarm" goes out.

Fridge mode

If the temperature in the fridge compartment has become too high, before eating any food that has got warm, make sure you heat it through properly. In in doubt, do not use raw food.

Freezer mode

Do not refreeze defrosted food. It can only be refrozen after it has been made into a ready-to-eat meal (cooked or roasted).

Do not then leave the food in the freezer for the maximum storage period.

Without any risk to the frozen food, the alarm may be triggered:

- when the appliance is first used,
- when putting large quantities of fresh food in the freezer,
- if the lid is left open for too long.

Usable capacity

You will find the details of the usable capacity on the rating plate inside the appliance.

Using the entire freezing capacity

To accommodate the maximum quantity of frozen food, you can remove the basket and the separating wall from the appliance.

Fridge compartment (cooler mode)

When the appliance is operated in the cooler mode, the fridge compartment is the perfect place for keeping ready meals, bread and pastries, jams and preserves, condensed milk and hard cheeses.

When placing food in the fridge, follow these guidelines

- Keep fresh, untouched food in the fridge. In that way it will keep longer and stay fresher.
- In the case of ready-made products and packaged foods and liquids, pay attention to the manufacturer's specified best-before or use-by date.
- In order to maintain flavour, colour and freshness, keep food well packed or covered over. That also prevents flavours from mixing and the plastic parts from becoming discoloured in the fridge compartment.
- Allow warm food and beverages to cool before putting them into the appliance.

Freezer compartment (freezer mode)

Use the freezer compartment for the following

- Storing deep frozen food.
- To make ice cubes.
- To freeze food.

Note

Make sure that the lid is always closed. When the lid is open, the frozen foods defrost and the freezer compartment ices up heavily. In addition: Energy is wasted due to the power consumption.

Max. freezing capacity

You will find information on the maximum freezing capacity in 24 hours on the rating plate.

Conditions for use of max. freezing capacity

- Remove the freezer compartment fittings.
- Stack the food directly on the bottom of the freezer compartment.

Freezing and storing

Purchasing frozen foods

- Packaging must not be damaged.
- Observe the best before date.
- The temperature in the commercial chest freezer must be -18 °C or colder.
- As far as possible, frozen food must be transported in an insulated container and quickly placed in the freezer compartment.

When arranging the food, note the following

It is preferable to freeze larger quantities of food on the appliance floor because they will become frozen more quickly and gently there. Lay the food over a wide area on the floor of the appliance.

Note

Food that is already frozen must not come into contact with the food that is to be freshly frozen.

Do not fill the appliance above the max marking with food.

Freezing fresh food

Only use fresh, undamaged food for freezing.

In order to retain the nutritional value, aroma and colour of the food as much as possible, blanch vegetables before they are frozen.

Blanching is not required for aubergines, peppers, courgettes and asparagus.

You can find literature about freezing and blanching in bookshops.

Note

Do not allow food that is to be frozen to sit right next to food that has already been frozen.

- The following are suitable for freezing:
Baked goods, fish and seafood, meat, game, poultry, vegetables, fruit, herbs, eggs without their shells, dairy products such as cheese, butter and curd cheese, prepared dishes and leftovers such as soups, stews, cooked meat and fish, potato dishes, baked casseroles and sweet foods.
- The following are not suitable for freezing:
Types of vegetable that are usually eaten raw, such as lettuces or radishes, eggs in their shells, grapes, whole apples, pears and peaches, hard-boiled eggs, yoghurt, curds, soured cream, crème fraîche and mayonnaise.

Packing frozen food

Pack food so that it is airtight to prevent it from losing its flavour or drying out.

1. Store food in its packaging.
2. Press out any air.
3. Close the packaging tightly.
4. Label packaging with its contents and date of freezing.

The following are suitable as packaging:

Plastic film, polyethylene hose film, aluminium foil, freezer bags.

You will find these products at your specialist dealer.

The following are not suitable as packaging:

Wrapping paper, greaseproof paper, cellophane, rubbish bags and used shopping bags.

The following are suitable for sealing packaging:

Rubber bands, plastic clips, pack-twines, cold-resistant scotch tape, or similar.

Polyethylene bags and hose film can be fused closed using a bag sealer.

Storage life of frozen foods

The storage life depends on the type of food.

At a temperature of -18 °C:

- Fish, sausages, prepared dishes, baked goods:
Up to 6 months.
- Cheese, poultry, meat:
Up to 8 months.
- Vegetables, fruit:
Up to 12 months.

Defrosting frozen food

You can choose between the following options, depending on the type of food and its intended use:

- at ambient temperature
- in the fridge
- in an electric oven, with/without hot air convection
- In the microwave oven.

Caution

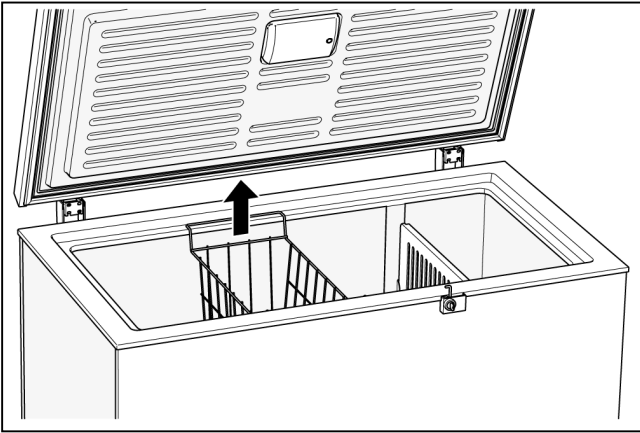
Do not refreeze defrosted food. It can only be refrozen after it has been made into a ready-to-eat meal (cooked or roasted).

Do not continue to use the complete max. storage time for the frozen food.

Fittings

Removable basket

For storing small items of frozen food.



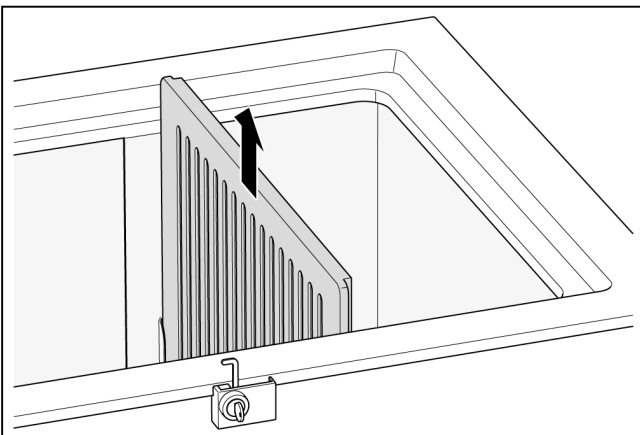
If required, you can purchase further baskets from specialist retailers if you specify the appliance designation.

Removable separating wall

The separating wall prevents fresh food that is to be frozen in the pre-freezing compartment from coming into contact with food that is already frozen in the storage compartment.

If you pull out the separating wall and lay it on the floor of the chest, small items of frozen food (such as strawberries) can be quickly and – above all – individually frozen.

When defrosting, you can place the separating wall under the condensation drainage to collect the defrost water.



Pre-freezing compartment

In the pre-freezing compartment, fresh food freezes particularly quickly and gently. Lay the food over a wide area on the floor and on the side panels of the pre-freezing compartment.

Switching off and shutting down the appliance

Switch off the appliance

Unplug the appliance from the mains or switch off the circuit-breaker.
The refrigeration system and lights switch off.

Putting the appliance out of service

If you do not use the appliance for long periods:

1. Remove all food from the appliance
2. Switch off the appliance.
3. Defrost the appliance.
4. Clean the appliance.
5. To prevent odours from forming, leave the appliance lid open.

Defrosting

A layer of frost in the freezer compartment impairs the cooling effect on the frozen food and increases the power consumption. If there is a layer of frost, you must defrost the appliance.

General tips

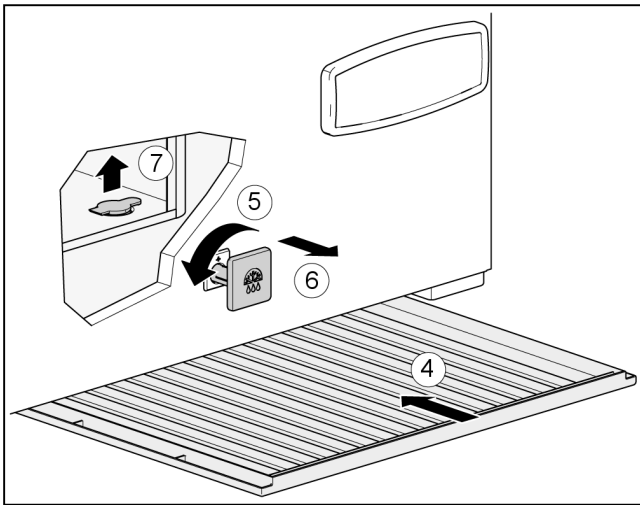
- When putting food in or taking food out, open the lid of the chest for as little time as possible.
- Do not install the chest freezer in a damp room. A high level of humidity aids the formation of frost.
- Package fresh food so that it is as air-tight as possible.

Caution

Do not scrape away the layer of ice using a knife or a sharp object. You could damage the refrigerant pipes. If refrigerant shoots out, it may ignite or cause eye injuries.

Defrosting the appliance

1. Switch on the super freezing approx. 4 hours before the defrosting to ensure that the food is thoroughly frozen.
2. Then clear out the frozen food and store it in several layers of newspaper or wrap it in a cover and store it in a cool place.
3. Leave the lid open and unplug the mains plug.
4. Pull out the partition and place it below the condensation drainage for collecting the defrost water.
5. Rotate the outer drain plug through 90°.
6. Pull out the outer drain plug by approx. 3 cm.
7. Pull out the interior drain plug. The interior drain plug is fixed at the bottom.



8. After defrosting, clean the appliance and wipe the inside dry.
9. Close the interior drain plug.
10. Completely push in the outer drain plug and rotate through 90°.
11. Plug in the appliance and put the frozen food back in.

Defrosting aids

To speed up the defrosting process, you can use a plastic scraper to remove the layer of ice.

⚠ Caution

Never use electrical appliances, defrosting sprays or open flames to defrost the freezer, e.g. heaters, steam-cleaning appliances, candles, oil lamps, etc. Do not place any saucepans containing hot water in the appliance in order to speed up the defrosting.

Cleaning the appliance

⚠ Caution

- Do not use gritty, acidic or chlorine-based cleaning agents or solvents.
- Do not use abrasive cleaning pads or sponges that may scratch surfaces. This may lead to corrosion of the metallic surfaces.
- Never clean the equipment's accessories in the dishwasher. The parts may warp.

Proceed as follows:

1. Switch off the appliance before cleaning.
2. Unplug the appliance from the mains or switch off the circuit-breaker.
3. Take out the food and store it in a cool place. Place an ice block (if you have one) on the food.
4. Defrosting the appliance, see section headed Defrosting.
5. Clean the appliance with a soft cloth, lukewarm water, and a little pH-neutral washing-up liquid. The washing-up liquid solution must not be allowed to get into the lights or into the control panel.
6. Only wipe the lid seal with clean water and then rub it until it is dry.
7. After cleaning, reconnect the appliance to the mains and switch it on.
8. Put the food back in.

Fittings

All the variable components of the appliance can be removed for cleaning (see section headed Fittings).

Smells

If you notice unpleasant smells:

1. Unplug the appliance from the mains or switch off the circuit-breaker.
2. Remove all food from the appliance.
3. Clean the inside of the appliance (see section headed Cleaning the appliance).
4. Clean all packaging.
5. Pack strongly smelling food in air-tight containers to prevent odours.
6. Switch on the appliance again.
7. Arrange the food.
8. After 24 hours, check again to see if the smells have reappeared.

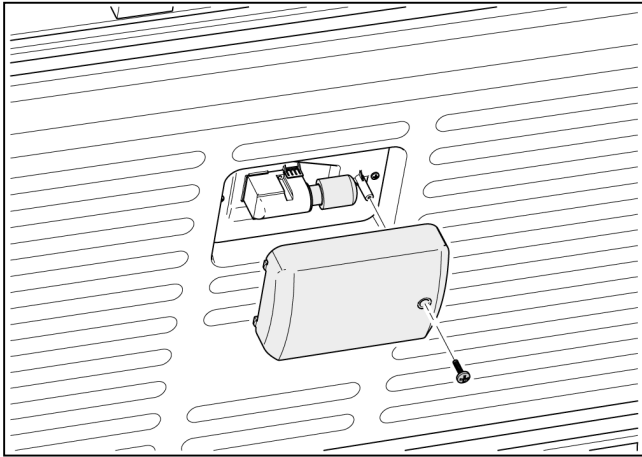
Lighting (LED)

Your appliance is equipped with a maintenance-free LED light.

Any repair work on the lighting must only be carried out by the after-sales service or authorised experts.

Changing LED lamp

1. Unplug the appliance from the mains or switch off the circuit-breaker.
2. Unscrew screw.
3. Remove cover strip.



4. Unscrew LED lamp.
5. Screw the new LED lamp into the socket (220 - 240 V AC, socket E14, max. 1.6 watts).
6. Insert cover strip.
7. Apply and tighten screw.
8. Switch on the appliance.

Saving energy

- Install the appliance in a dry, well ventilated room. The appliance must be installed out of direct sunlight and away from heat sources (e.g. heating elements, cooker).
Use an insulating plate if necessary.
- Allow hot food and drinks to cool before placing them in the appliance.
- Place frozen food in the fridge compartment to defrost and utilise the low temperature of the frozen food to cool other food.
- Only open the appliance for as short a time as possible.
- To prevent the food warming up quickly in the event of a power cut or a fault, place blocks of ice directly on top of the food.
- A layer of frost in the freezer compartment impairs the cooling effect on the frozen food and increases the power consumption. If there is a layer of frost, you must defrost the appliance.
- To prevent increased power consumption, occasionally clean the air vent with a soft brush or vacuum cleaner.
- If only medium quantities of food (approx. 40 %-60 % of the maximum freezing capacity) are frozen, you can put food into the freezer after 6 hours of super freezing and switch super freezing off.

Operating noises

Completely normal noises

Humming

Motors running (e.g. refrigeration units, ventilator).

Bubbling, whirring or gurgling noises

Refrigerant circulating through the pipes.

Clicking

Motors, switches or solenoid valves are switching on/off.

Preventing noises

The appliance is not standing straight

Make sure the appliance is exactly level by using a spirit level. Level out any unevenness in the ground using support spacers.

The appliance is touching adjacent units or appliances

Move the appliance away from adjacent furniture or appliances.

Baskets or separating plate are wobbling or sticking

Check the removable parts and re-insert them if necessary.

Containers are touching

Move the containers apart slightly.

Rectifying minor faults yourself

Before calling After-sales Service:

Check whether you can rectify the fault yourself by using the notes below.

You must pay the cost of the After-sales Service call out – even during the guarantee period.

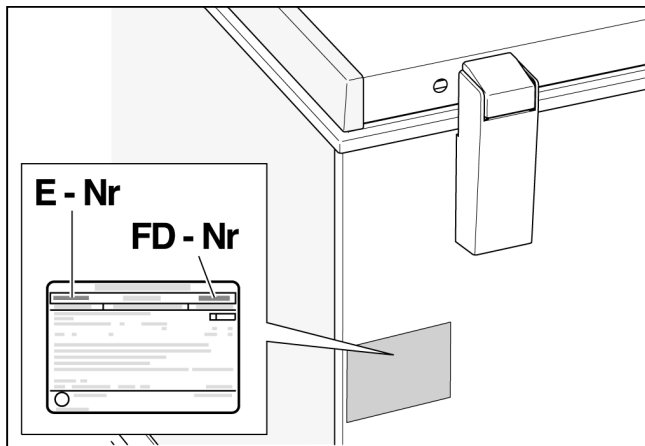
Problem	Possible cause	Remedy
Appliance is not cooling/ freezing.	Power cut.	Check whether there is power to the appliance.
The lighting is not working.	Circuit-breaker is switched off.	Check circuit-breaker.
The indicator "on" is not illuminated.	Power plug not properly plugged in.	Check whether power plug is properly plugged in.
The refrigeration unit switches on with increasing frequency and for longer periods.	The lid is being opened frequently.	Do not open the lid unnecessarily.
	The temperature setting is too low.	Set a higher temperature.
	The ventilation openings are covered.	Remove any obstructions.
	Placing large quantities of food in the appliance.	Switch on super freezing function before you store larger amounts of food.
	The temperature controller was switched from the cooler mode to the freezer mode.	Wait until the set temperature was reached.
The cooling machine runs continuously.	Super freezing is switched on.	To save energy, switch off super freezing as soon as it is not required any longer.
The indicator "alarm" is illuminated. It is too warm in the appliance.	The lid is being opened frequently.	Do not open the lid unnecessarily.
	Placing large quantities of food in the appliance.	Switch on super freezing function before you store larger amounts of food.
	The ventilation openings are covered.	Remove any obstructions.
	The appliance is beside a heat source.	Maintain the minimum distance or use an insulating plate..
	The temperature controller was switched from the cooler mode to the freezer mode.	Wait until the set temperature was reached.
		When all these causes have been eliminated, wait 24 hours. During this time, do not open the cover. After 24 hours, the set temperature must have been reached and the display "alarm" must no longer light up. If the set temperature was not reached after 24 hours, contact customer service.
It is too cold in the appliance.	The temperature setting is too low.	Set a higher temperature.
The (LED) lighting does not work.	The LED lighting is faulty.	See section headed Lighting (LED).
	Door switch is sticking.	Check whether you can move the door switch.
Unpleasant smells are noticeable.	Strongly smelling food not packed in air-tight containers.	Clean the appliance. Pack strongly smelling food in air-tight containers (see section headed Smells).

Problem	Possible cause	Remedy
In the appliance a layer of ice is forming.	The ventilation openings are covered.	Remove any obstructions.
	The lid was not closed completely.	Close the lid completely.
	The door seal is dirty.	Clean the door seal. See section headed Cleaning the appliance.
The lid can only be closed.	Food prevent the lid from closing correctly.	Remove any obstructions.
Increased formation of frost on the upper edge of the appliance.	The drain plugs are not in the correct position.	Insert the drain plugs correctly on the floor of the appliance and on the front of the appliance.
	The transport locks were not removed.	Remove all transport locks, (see section headed Installing the appliance).
	The lid is being opened frequently.	Do not open the lid unnecessarily.

After-sales Service

You can find your local After-sales Service centre in the phone book or the After-sales Service directory. Please quote the product number (E-Nr.) and production number (FD-Nr.) of your appliance.

You will find this information on the rating plate.



Please help us to avoid unnecessary journeys by quoting the appliance and production number. By doing so, you will save any associated additional charges.

Booking a repair call-out and advice on faults

The After-sales Service contact details for all countries are listed in the attached After-sales Service directory.

GB	0344 892 8979	Calls charged at local or mobile rate.
IE	01450 2655	0.03 € per minute at peak. Off peak 0.0088 € per minute.
US	800 944 2904	toll-free



Thank you for buying a Bosch Home Appliance!

Register your new device on MyBosch now and profit directly from:

- **Expert tips & tricks for your appliance**
- **Warranty extension options**
- **Discounts for accessories & spare-parts**
- **Digital manual and all appliance data at hand**
- **Easy access to Bosch Home Appliances Service**

Free and easy registration – also on mobile phones:
www.bosch-home.com/welcome



Looking for help? You'll find it here.

Expert advice for your Bosch home appliances, need help with problems or a repair from Bosch experts.

Find out everything about the many ways Bosch can support you:

www.bosch-home.com/service

Contact data of all countries are listed in the attached service directory.

Bosch Home Appliance Group

P.O. Box 83 01 01

D-81701 Munich

Germany

www.bosch-home.com



8001107853 (9805)

en