



Register your new Bosch now:
www.bosch-home.com/welcome



Fridge-freezer
Холодильно-морозильная комбинация
Ψυγειοκαταψύκτης
KGN..



BOSCH

- en Installation instructions and instructions for use
- ru Инструкция по монтажу и эксплуатации
- el Οδηγίες τοποθέτησης και χρήσης

en Table of Contents

Safety and warning information	4	Freezer compartment	22
Information concerning disposal	7	Max. freezing capacity	23
Scope of delivery	7	Freezing and storing food	23
Installation location	8	Freezing fresh food	23
Aligning the appliance	8	Super freezing	24
Observe ambient temperature and ventilation	8	Thawing frozen food	25
Connecting the appliance	9	Interior fittings	25
Getting to know your appliance	10	Sticker "OK"	26
Switching on the appliance	11	Switching off and disconnecting the appliance	27
Setting the temperature	12	Cleaning the appliance	27
Special functions	12	Light (LED)	28
Alarm function	13	Tips for saving energy	28
Home Connect	14	Operating noises	28
Usable capacity	20	Eliminating minor faults yourself	30
Refrigerator compartment	20	Appliance self-test	32
Super cooling	22	Customer service	32

ru Содержание

Указания по безопасности и предупреждения	33	Макс. производительность замораживания	54
Указания по утилизации	37	Замораживание и хранение продуктов	54
Объем поставки	37	Замораживание свежих продуктов питания	55
Место установки	38	Суперзамораживание	56
Выравнивание прибора	38	Размораживание продуктов	56
Температура окружающей среды и вентиляция	38	Специальное оснащение	57
Подключение бытового прибора ...	39	Наклейка «OK»	58
Знакомство с бытовым прибором .	40	Выключение прибора и вывод его из эксплуатации	59
Включение прибора	41	Чистка прибора	59
Установка температуры	42	Освещение (на светодиодах)	60
Специальные функции	42	Как сэкономить электроэнергию ..	61
Предупредительная функция	44	Рабочие шумы	61
Home Connect	44	Самостоятельное устранение мелких неисправностей	62
Полезный объем	50	Самопроверка прибора	64
Холодильное отделение	51	Сервисная служба	65
Суперохлаждение	53		
Морозильное отделение	53		

ει Πίνακας περιεχομένων

Υποδείξεις ασφαλείας και προειδοποιητικές υποδείξεις	66	Μέγ. απόδοση κατάψυξης	87
Υποδείξεις απόσυρσης	69	Κατάψυξη και αποθήκευση	87
Συνοδεύουν τη συσκευή	70	Κατάψυξη νωπών τροφίμων	88
Τόπος τοποθέτησης	70	Υπερκατάψυξη	89
Ευθυγράμμιση της συσκευής	71	Απόψυξη κατεψυγμένων τροφίμων ...	89
Προσέχετε τη θερμοκρασία και τον αερισμό του χώρου	71	Εξοπλισμός	90
Σύνδεση της συσκευής	72	Αυτοκόλλητο "OK"	91
Γνωρίστε τη συσκευή	73	Σβήσιμο και μακροχρόνια θέση της συσκευής εκτός λειτουργίας	92
Ενεργοποίηση της συσκευής	74	Καθαρισμός της συσκευής	92
Ρύθμιση θερμοκρασίας	75	Φωτισμός (LED)	94
Ειδικές λειτουργίες	75	Έτσι μπορείτε να εξοικονομήσετε ενέργεια	94
Λειτουργία συναγερμού	77	Θόρυβοι λειτουργίας	94
Home Connect	78	Πώς θα διορθώσετε μόνες/-οι σας μικροβλάβες	95
Ωφέλιμο περιεχόμενο	84	Αυτοέλεγχος συσκευής	97
Χώρος συντήρησης	84	Υπηρεσία εξυπηρέτησης πελατών	98
Υπερψύξη	86		
Χώρος κατάψυξης	87		

Safety and warning information

Before you switch ON the appliance

Please read the operating and installation instructions carefully! They contain important information on how to install, use and maintain the appliance. The manufacturer is not liable if you fail to comply with the instructions and warnings. Retain all documents for subsequent use or for the next owner.

Technical safety

The tubes of the refrigeration circuit convey a small quantity of an environmentally friendly but flammable refrigerant (R600a). It does not damage the ozone layer and does not increase the greenhouse effect. If refrigerant escapes, it may injure your eyes or ignite.

If damage has occurred

- Keep naked flames and/or ignition sources away from the appliance,
- thoroughly ventilate the room for several minutes,
- switch off the appliance and pull out the mains plug,
- inform customer service.

The more refrigerant an appliance contains, the larger the room must be in which the appliance is situated. Leaking refrigerant can form a flammable gas-air mixture in rooms which are too small. The room must be at least 1 m³ per 8 g of refrigerant. The amount of refrigerant in your appliance is indicated on the rating plate inside the appliance.

If the power cord of this appliance is damaged, it must be replaced by the manufacturer, customer service or a similarly qualified person. Improper installations and repairs may put the user at considerable risk.

Repairs may be performed by the manufacturer, customer service or a similarly qualified person only.

Only original parts supplied by the manufacturer may be used. The manufacturer guarantees that only these parts satisfy the safety requirements.

Do not use multiple sockets, extension leads or adapters.

Important information when using the appliance

- Never use electrical appliances inside the appliance (e.g. heater, electric ice maker, etc.). Explosion hazard!
- Never defrost or clean the appliance with a steam cleaner! The steam may penetrate electrical parts and cause a short-circuit. Risk of electric shock!
- Do not use pointed or sharp-edged implements to remove frost or layers of ice. You could damage the refrigerant tubes. Leaking refrigerant may cause eye injuries or ignite.
- Do not store products which contain flammable propellants (e.g. spray cans) or explosive substances in the appliance. Explosion hazard!
- Do not stand on or lean heavily against base of appliance, drawers or doors, etc
- For defrosting and cleaning, pull the mains plug out or switch off the fuse. Do not pull out the mains plug by tugging on the power cord.
- Store high-percentage alcohol tightly closed and standing up.
- Keep plastic parts and the door seal free of oil and grease. Otherwise, parts and door seal will become porous.
- Never cover or block the ventilation openings of the appliance!
- Do not store bottled or canned drinks (especially carbonated drinks) in the freezer compartment. Bottles and cans may burst!
- Never put frozen food straight from the freezer compartment into your mouth. Risk of low-temperature burns!

■ **Avoiding placing children and vulnerable people at risk:**

At risk are children, people who have limited physical, mental or sensory abilities, as well as people who have inadequate knowledge concerning safe operation of the appliance.

Ensure that children and vulnerable people have understood the hazards.

A person responsible for safety must supervise or instruct children and vulnerable people who are using the appliance.

Only children from 8 years and above may use the appliance.

Supervise children who are cleaning and maintaining the appliance.

Never allow children to play with the appliance.

- Avoid prolonged touching of frozen food, ice or the evaporator pipes, etc.
Risk of low-temperature burns!

Children in the household

- Keep children away from packaging and its parts.
Danger of suffocation from folding cartons and plastic film!
- Do not allow children to play with the appliance!
- If the appliance features a lock:
keep the key out of the reach of children!

General regulations

The appliance is suitable

- for refrigerating and freezing food,
- for making ice.

This appliance is intended for use in the home and the home environment.

The appliance is suppressed according to EU Directive 2004/108/EC.

The refrigeration circuit has been checked for leaks.

This product complies with the relevant safety regulations for electrical appliances (EN 60335-2-24).

This appliance is intended for use up to a maximum height of 2000 metres above sea level.

Information concerning disposal

Disposal of packaging

The packaging protects your appliance from damage during transit. All utilised materials are environmentally safe and recyclable. Please help us by disposing of the packaging in an environmentally friendly manner.

Please ask your dealer or inquire at your local authority about current means of disposal.

Disposal of your old appliance

Old appliances are not worthless rubbish! Valuable raw materials can be reclaimed by recycling old appliances.



This appliance is labelled in accordance with European Directive 2012/19/EU concerning used electrical and electronic appliances (waste electrical and electronic equipment - WEEE). The guideline determines the framework for the return and recycling of used appliances as applicable throughout the EU.

Warning

Redundant appliances

1. Pull out the mains plug.
2. Cut off the power cord and discard with the mains plug.
3. Do not take out the trays and receptacles: children are therefore prevented from climbing in!
4. Do not allow children to play with the appliance once it has spent its useful life. Danger of suffocation!

Refrigerators contain refrigerant and gases in the insulation. Refrigerant and gases must be disposed of professionally. Ensure that tubing of the refrigerant circuit is not damaged prior to proper disposal.

Scope of delivery

After unpacking all parts, check for any damage in transit.

If you have any complaints, please contact the dealer from whom you purchased the appliance or our customer service.

The delivery consists of the following parts:

- Free-standing appliance
- Interior fittings (depending on model)
- Bag containing installation materials
- Operating instructions
- Installation manual
- Customer service booklet
- Warranty enclosure
- Information on the energy consumption and noises

Installation location

A dry, well ventilated room is suitable as an installation location. The installation location should not be exposed to direct sunlight and not placed near a heat source, e.g. a cooker, radiator, etc. If installation next to a heat source is unavoidable, use a suitable insulating plate or observe the following minimum distances from the heat source:

- 3 cm to electric or gas cookers.
- 30 cm to an oil or coal-fired cooker.

The floor of the installation location must not give way; if required, reinforce floor. If the floor is uneven, compensate with supports.

Distance from wall

When installing the appliance, ensure that the door can be opened by 90°.

Aligning the appliance

Place the appliance in the designated location and align. The appliance must be level and stand securely on the floor. If the floor is uneven, use the front height-adjustable feet. Adjust the height-adjustable feet with a spanner.

Note

The appliance must be vertical. Please align it with a spirit level.

Observe ambient temperature and ventilation

Ambient temperature

The appliance is designed for a specific climate class. Depending on the climate class, the appliance can be operated at the following temperatures.

The climate class can be found on the rating plate. Fig. 16

Climate class	Permitted ambient temperature
SN	+10 °C to 32 °C
N	+16 °C to 32 °C
ST	+16 °C to 38 °C
T	+16 °C to 43 °C

Note

The appliance is fully functional within the room temperature limits of the indicated climatic class. If an appliance of climatic class SN is operated at colder room temperatures, the appliance will not be damaged up to a temperature of +5 °C.

Ventilation

Fig. **2**

The air on the rear panel and on the side panels of the appliance heats up. Conduction of the heated air must not be obstructed. Otherwise, the refrigerating unit must work harder. This increases power consumption. Therefore: Never cover or block the ventilation openings!

Connecting the appliance

After installing the appliance, wait at least 1 hour until the appliance is switched on. During transportation the oil in the compressor may have flowed into the refrigeration system.

Before switching on the appliance for the first time, clean the interior of the appliance (see chapter "Cleaning the appliance").

Electrical connection

The socket must be near the appliance and also freely accessible following installation of the appliance.

Warning

Risk of electric shock!

If the length of the mains cable is inadequate, never use multiple sockets or extension leads. Instead, please contact Customer Service for alternatives.

The appliance complies with protection class I. Connect the appliance to 220–240 V/50 Hz alternating current via a correctly installed socket with protective conductor. The socket must be protected by a 10 A to 16 A fuse.

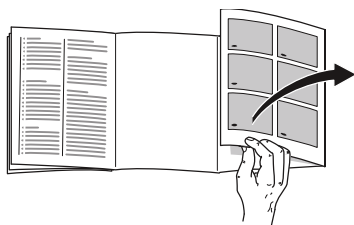
For appliances operated in non-European countries, check whether the indicated voltage and current type match the values of your electricity supply. This information can be found on the rating plate, Fig. **16**.

Warning

Never connect the appliance to electronic energy saver plugs.

Our appliances can be used with mains and sine-controlled inverters. Mains-controlled inverters are used for photovoltaic systems which are connected directly to the national grid. Sine-controlled inverters must be used for isolated applications (e.g. on ships or in mountain lodges) which are not connected directly to the national grid.

Getting to know your appliance



Please fold out the illustrated last page. These operating instructions refer to several models.

The features of the models may vary.

The diagrams may differ.

Fig. **1**

* Not all models.

- A Refrigerator compartment
- B Freezer compartment

- 1–15 Controls
- 16* Butter and cheese compartment
- 17 Camera
- 18 Shelf for small bottles
- 19 Shelf for large bottles
- 20 Light (LED)
- 21* Bottle shelf
- 22* Breakfast set
- 23 Cold storage compartment
- 24 Vegetable container with humidity control
- 25* Ice maker/Ice cube container
- 26* Frozen food container

Controls

Fig. **4**

- 1 **Temperature display freezer compartment**
The numbers correspond to the set freezer compartment temperatures in °C.
- 2 **Display – ALARM –**
This lights up if the freezer compartment is too warm.
- 3 **Display superfreeze**
This lights up if super freezing is in operation.
- 4 **Display freshness mode**
This lights up when the freshness mode is switched on.
- 5 **Eco mode indicator**
This lights up when the eco mode is switched on.
- 6 **Display – ALARM –**
This lights up if the fridge compartment becomes too warm.
- 7 **Temperature display refrigerator compartment**
The numbers correspond to the set refrigerator compartment temperatures in °C.
- 8 **Display supercool**
This lights up if super cooling is in operation.
- 9 **Display vacation mode**
This lights up when the vacation mode is switched on.
- 10 **Button “lock” function**
If this function is switched on, no settings are possible via the controls.

- 11 **Button lock/alarm off**
This button is used to
- switch off the audible warning signal (see section "Alarm function")
 - Switch the button lock on and off.
- 12 **Setting buttons +/-**
The buttons are used to set the temperatures of the refrigerator and freezer compartment.
- 13 **°C button to select a section**
Used to select a section. This is necessary to change its temperature or to switch on certain special functions.
- 14 **Super button**
Used to switch on the functions supercool (fridge compartment) and superfreeze (freezer compartment).
- 15 **Button mode**
Selecting the special functions.

Switching on the appliance

1. First insert the plug into the connection on the back of the appliance. Check that the plug has been inserted all the way.
2. Then insert the other end of the cable into the socket.

The appliance is now switched on and a warning signal sounds.

Press the lock/alarm off button to switch off the audible warning signal.

The – ALARM – display goes out when the appliance has reached the set temperature.

The preset temperatures are reached after several hours. Do not put any food in the appliance beforehand.

The factory has recommended the following temperatures:

- Freezer compartment: -18 °C
- Refrigerator compartment: +4 °C

Operating tips

- After the appliance has been switched on, it may take several hours until the set temperatures have been reached.
- The fully automatic NoFrost system ensures that the freezer section remains free of ice. Defrosting is no longer required.
- If the door cannot be immediately re-opened after it has been closed, wait until the resulting low pressure has equalised.
- The front and side panels of the housing are partly heated slightly. This prevents condensation from forming.

Setting the temperature

Fig. 4

Refrigerator section

The temperature can be set from +2°C to +8°C.

1. Select the refrigerator section using the °C button.
2. Keep pressing the +/- buttons until the required temperature is indicated.

Perishable food should not be stored above +4 °C.

Freezer compartment

The temperature can be set from -16°C to -24°C.

1. Select the freezer compartment using the °C button.
2. Keep pressing the +/- buttons until the required temperature is indicated.

Special functions

Fig. 4

Fresh mode

Fresh mode gives food an even longer shelf life.

Switching on:

Press the mode button until the freshness mode display appears.

The appliance automatically sets the following temperatures:

- Refrigerator section: + 2°C
- Freezer section: remains unchanged

Switching off:

Press the mode button repeatedly until the freshness mode display goes off.

Eco mode

Eco mode switches the appliance to energy-saving operation.

Switching on:

Press the mode button until the "eco mode" indicator appears.

The appliance automatically sets the following temperatures:

- Refrigerator section: +8°C
- Freezer section: -16°C

Switching off:

Press the mode button until the "eco mode" indicator goes off.

Holiday mode

If leaving the appliance for a long period of time, you can switch the appliance over to the energy-saving holiday mode.

The temperature of the refrigerator compartment is automatically switched to +14 °C.

Do not store any food in the refrigerator compartment during this time.

Switching on:

Press the mode button repeatedly until the vacation mode display appears.

The appliance automatically sets the following temperatures:


- Refrigerator section: +14°C
- Freezer compartment: remains unchanged

Switching off:

Press the mode button repeatedly until the vacation mode display goes off.

Button lock function

To switch the button lock on and off, press the lock/alarm off button for 5 seconds.

When the function is switched on, the  display lights up.

The control panel is now protected against unintentional operation.

Exception to the button lock:

The lock/alarm off button can be pressed to switch off the button lock or if an audible warning signal sounds.

sabbath mode

When sabbath mode is switched on, the following settings are switched off:

- Audible signals
- Interior lighting
- Messages on the display panel
- The background illumination of the display panel is reduced
- Buttons are locked

Switching **sabbath mode on and off:**

Press the super button for 15 seconds.

Alarm function

In the following cases an alarm may be actuated.

Door alarm

The door alarm (continuous signal) switches on if the appliance is left open for too long and – ALARM – appears 7 in the refrigerator section temperature display. Close the appliance to switch the door alarm off again.

Temperature alarm

An interval tone sounds, – ALARM – appears on the temperature display of the freezer compartment 1.

The temperature alarm switches on if the freezer compartment is too warm and the frozen food is at risk of thawing.

The alarm may switch on without any risk to the frozen food in the following instances:

- when switching on the appliance for initial use.
- when large quantities of fresh food are placed in the appliance.

Note

Do not refreeze thawing or thawed food. Only ready meals (boiled or fried) may be refrozen.

No longer store the frozen produce for the max. storage period.

The temperature display indicates for 5 seconds the warmest temperature which was reached in the freezer compartment. Then the set temperature is displayed again.

Switching off the alarm

Press the lock/alarm off button to switch off the audible warning signal.

Home Connect

This appliance is Wi-Fi-capable and can be remotely controlled using a mobile device.

Note

Wi-Fi is a registered trade mark of the Wi-Fi Alliance.

In the following cases, the appliance functions like a refrigerator without a network connection and can still be manually operated via the controls:

- The appliance is not connected to a home network.
- Home Connect service is not available in the country in which the appliance is set up. For an overview of the countries in which Home Connect is available, see www.home-connect.com.

Notes

- Please observe the safety information in these operating instructions and ensure that this is still adhered to, even if you operate the appliance via the Home Connect app and are not at home when doing so.
You must also follow the instructions in the Home Connect app.
- If the appliance is being operated by means of the controls on the appliance itself, this mode of operation always has priority. During this time, it is not possible to operate the appliance using the Home Connect app.

Home Connect setup

Notes

- Observe the Home Connect supplementary sheet, which is available for download under <http://www.bosch-home.com> with the instructions. To do so, enter the E-number of your appliance in the search field.
- After switching on the appliance, wait at least two minutes until internal device initialisation is complete. Only then start setting up Home Connect.
- To make settings with Home Connect, the Home Connect app must be installed on your mobile device. Please observe the Home Connect documents supplied for doing this. Follow the steps specified by the app to make the settings.
- If the appliance is not operated for a long time, the Home Connect menu closes automatically. You can find information on how to open the Home Connect menu at the start of the appropriate sections.

Automatic connection with the home network (WLAN)

If a WLAN router with WPS function is available, you can automatically connect the refrigerator to the home network.

1. Press the super button and the lock/ alarm off button simultaneously to open the Home Connect menu.

The display shows **Cn**.

Note

Press both buttons at exactly the same time. Button operation is locked if only the lock/alarm off button is pressed for a longer period. Press the lock/alarm off button again until the lock is deactivated.

2. Press the °C button repeatedly until the displays **AC** and **oF** are shown.

3. Press the + button.

The appliance is ready for automatic connection.

The display shows an animation for 2 minutes.

Follow the steps below during this period.

4. Activate the WPS function on the home network router (e.g. using the WPS/WLAN button; information on this topic can be found in the router documentation).

- If the connection is successful, **on** flashes in the refrigerator display.

You can now connect the refrigerator with the app.

- If the display shows **oF**, it was not possible to establish a connection.

Check whether the refrigerator is located within the range of the home network (WLAN).

Repeat the process or establish the connection manually.

Manual connection with the home network (WLAN)

If the WLAN router present does not have a WPS function, or if this is unknown, you can manually connect the refrigerator with the home network.

1. Press the super button and the lock/ alarm off button simultaneously to open the Home Connect menu.

The display shows **Cn**.

Note

Press both buttons at exactly the same time. Button operation is locked if only the lock/alarm off button is pressed for a longer period. Press the lock/alarm off button again until the lock is deactivated.

2. Press the °C button repeatedly until the displays **SA** and **oF** are shown.

3. Press the + button.

The appliance is ready for manual connection.

The display shows an animation for 5 minutes.

Follow the steps below during this period.

4. The refrigerator has now set up its own WLAN network with the network name **HomeConnect**.

You can now access this network with your mobile device.

5. Open the settings menu of the mobile device and call up the WLAN settings.

6. Connect the mobile device with the WLAN network **HomeConnect**.

Password: **HomeConnect**

It can take up to 60 seconds to establish the connection.

7. After successful connection, open the Home Connect app on the mobile device.

The app will search for the refrigerator.

8. As soon as the refrigerator has been found, enter the network name (SSID) and the password (Key) of your own home network (WLAN) into the corresponding fields.

9. Confirm with the button **Transmit to domestic appliances**.

- If the connection is successful, **on** flashes in the refrigerator display.

You can now connect the refrigerator with the app.

- If the display shows **oF**, it was not possible to establish a connection.

Enter the password again, ensuring that it is spelt correctly.

Check whether the refrigerator is located within the range of the home network (WLAN).

Repeat the process.

Connecting the refrigerator to the Home Connect app

Once the connection between the refrigerator and the home network has been established, you can connect the refrigerator to the app.

1. Press super button and lock/alarm off button simultaneously to open the Home Connect menu.

The display shows **Cn**.

Note

Press both buttons at exactly the same time. Button operation is locked if only the lock/alarm off button is pressed for a longer period. Press lock/alarm off button again until the lock is deactivated.

2. Press °C button repeatedly until the displays **PA** (pairing = connect with app) and **oF** are shown.
3. Press **+** button to connect the appliance with the app.
The display shows an animation.
As soon as the refrigerator and the app are connected, the display shows **on**.
4. Open the app and wait until the refrigerator is displayed.
Use **Add** to confirm the connection between the app and the refrigerator.
If the refrigerator is not automatically displayed, click on **Add appliance** in the app and follow the instructions. As soon as your refrigerator is displayed, add it with **+**.
5. Follow the instructions in the app until the process is complete.
 - The displays show **PA** and **on**.
The refrigerator has been successfully connected to the app.
 - If the connection has failed, please check whether the mobile device is connected to the home network (WLAN).
Then connect the refrigerator to the app again.
 - When the display shows **Er**, reset the Home Connect settings and perform set-up again from the beginning.

Verify signal strength

You should verify the signal strength if no connection can be established.

1. Press the super button and the lock/ alarm off button simultaneously to open the Home Connect menu.

The display shows **Cn**.

Note

Press both buttons at exactly the same time. Button operation is locked if only the lock/alarm off button is pressed for a longer period. Press the lock/alarm off button again until the lock is deactivated.

2. Press the °C button repeatedly until the display shows **SI**. In the second display, a value appears between 0 (no reception) and 3 (full reception).

Note

The signal strength should be at least 2. If the signal strength is too low, the connection could be interrupted. Place the router and the refrigerator closer together, ensure that the connection is not disturbed by shielding walls or install a repeater to strengthen the signal.

Activating the cameras

You can use this function to check via the app at any time what is in your refrigerator. Whenever the refrigerator compartment door is closed, the cameras take a photo of the refrigerator compartment and the refrigerator compartment door.

Note

The cameras only take one photo at this moment. This ensures protection of your privacy.

If your refrigerator is connected to both your home network (WLAN) and the Home Connect app, you can activate the cameras:

1. Press super button and lock/alarm off button simultaneously to open the Home Connect menu.

The display shows **Cn**.

Note

Press both buttons at exactly the same time. Button operation is locked if only the lock/alarm off button is pressed for a longer period. Press lock/alarm off button again until the lock is deactivated.

2. Press °C button repeatedly until the displays **Ca** and **oF** are shown.
3. Press + button to activate the cameras.

The display shows **on**, the cameras are activated.

Note

If the cameras are activated and the refrigerator contents are interrogated frequently via the app, this will result in increased data transfer.

Note

Uploading the photos takes up to three minutes.

Note

Various external factors in home network and the Internet can cause transmission problems and pictures to be discarded. These have no effect on the appliance's basic functions.

Deactivating the cameras:

1. Press super button and lock/alarm off button simultaneously to open the Home Connect menu.

The display shows **Cn**.

Note

Press both buttons at exactly the same time. Button operation is locked if only the lock/alarm off button is pressed for a longer period. Press lock/alarm off button again until the lock is deactivated.

2. Press °C button repeatedly until the displays **Ca** and **oF** are shown.
3. Press+ button to deactivate the cameras.

The display shows **oF**, the cameras are deactivated.

Resetting Home Connect settings

If the connection process does not work or you would like to log the refrigerator on to a different home network (WLAN), you can reset the Home Connect settings:

1. Press the super button and the lock/ alarm off button simultaneously to open the Home Connect menu.

The display shows **Cn**.

Note

Press both buttons at exactly the same time. Button operation is locked if only the lock/alarm off button is pressed for a longer period. Press the lock/alarm off button again until the lock is deactivated.

2. Press the °C button repeatedly until the displays **rE** and **oF** are shown.
3. Press the + button.

- The display shows a short animation and then again **oF**. The Home Connect settings have been reset.
- If the display shows **Er**, start the reset again or call customer service.

Customer Service access

If you contact Customer Service, they can access your appliance and view its status after you have given your consent. You need to have your appliance connected to your home network for this. Further information about Customer Service access and its availability in your country is available under www.home-connect.com in the Help & Support area.

1. Contact Customer Service.
2. Confirm the start of Customer Service access in the app.
During Customer Service access the symbol CS appears on the control panel.
3. As soon as Customer Service has obtained the necessary data, they end access.

Note

You can interrupt remote diagnosis early by switching off Customer Service access in the Home Connect app.

Information on data protection

When your Home Connect refrigerator is connected for the first time to a WLAN network that is connected to the Internet, your appliance transmits the following categories of data to the Home Connect server (initial registration):

- Unique appliance identification (consisting of appliance codes as well as the MAC address of the installed Wi-Fi communication module).
- Security certificate of the Wi-Fi communication module (to ensure a secure IT connection).
- The current software and hardware version of your domestic appliance.
- Status of any previous resetting to factory settings.

This initial registration prepares the Home Connect functions for use and is required only when you want to use Home Connect for the first time.

Note

Note that the Home Connect functions can be used only in conjunction with the Home Connect app. Information on data protection can be accessed in the Home Connect app.

Declaration of conformity

Robert Bosch Hausgeräte GmbH hereby declares that the appliance which features Home Connect functionality is in accordance with the basic requirements and the other relevant provisions of the directive 1999/5/EC.

A detailed R&TTE Declaration of Conformity can be found online at www.bosch-home.com among the additional documents on the product page for your appliance.



Usable capacity

Information on the usable capacity can be found inside your appliance on the rating plate. Fig. 16

Fully utilising the freezer volume

To place the maximum amount of frozen food in the freezer compartment, you can remove the containers. You can then stack the food directly on the shelf and on the floor of the freezer compartment.

Note

Avoid contact between food and rear panel. Otherwise the air circulation will be impaired.

Food or packaging could freeze to the rear panel.

Removing the fittings

Pull out the frozen food container all the way, lift at the front and remove. Fig. 10

- If appliances feature an ice maker, the latter can be taken out. Fig. 15

Refrigerator compartment

The refrigerator compartment is the ideal storage location for meat, sausage, fish, dairy products, eggs, ready meals and pastries.

Storing food

- Store fresh, undamaged food. The quality and freshness will then be retained for longer.
- In the case of ready-made products and bottled goods, observe the best-before date or use-by date specified by the manufacturer.
- To retain aroma, colour and freshness, pack or cover food well before placing in the appliance. This will prevent the transfer of flavours and the discolouration of plastic parts in the refrigerator compartment.
- Allow warm food and drinks to cool down before placing in the appliance.

Note

Do not block air outlet openings with food, otherwise the air circulation will be impaired. Food which is stored directly in front of the air outlet openings may be frozen by the cold air flowing out.

Note the chill zones in the refrigerator compartment

The air circulation in the refrigerator compartment creates different chill zones:

- The coldest zones are in front of the air outlet openings and in the chill compartment, Fig. **1**/23.

Note

Store perishable food (e.g. fish, sausage, meat) in the coldest zones.

- Warmest zone is at the very top of the door.

Note

Store e.g. hard cheese and butter in the warmest zone. The aroma of hard cheese can then continue to develop and butter remains spreadable.

Vegetable container with humidity control

Fig. **8**

To create the optimum storage climate for fruit and vegetables, you can set the humidity level in the vegetable container:

- Mainly vegetables as well as for a mixed or small load – high air humidity
- Mainly fruit as well as for a large load – low air humidity

Notes

- Fruit sensitive to cold (e.g. pineapple, banana, papaya and citrus fruit) and vegetables sensitive to cold (e.g. aubergines, cucumbers, zucchini, peppers, tomatoes and potatoes) should be stored outside the refrigerator at temperatures of approx. +8 °C to +12 °C for optimum preservation of quality and flavour.
- Condensation may form in the vegetable container depending on the type and quantity of products stored. Remove condensation with a dry cloth and adjust air humidity in the vegetable container with the humidity controller.

Cold storage compartment

Fig. **9**

The cold storage compartment has lower temperatures than the refrigerator compartment. Even temperatures below 0 °C may occur.

Ideal for storing fish, meat and sausage. Not suitable for lettuce and vegetables and produce sensitive to cold.

The temperature of the chill compartments can be varied using the ventilation opening. Push temperature controller upwards to reduce the temperature. Push temperature controller downwards to increase the temperature. Fig. **7**

Camera

Fig. **1** / 17

Every time the door is closed, the cameras take a photo of the interior and the door shelves. With Home Connect you can call up the photos from your mobile device.

Note

Blurred pictures are an indication that the door was closed too quickly. Always close the door slowly to ensure satisfactory image quality. Damage to the anti-mist film may cause blurred images.

Replacing the anti-mist film

1. Remove the damaged anti-mist film.
2. Detach a new anti-mist film from the backing paper.

Note

Make sure you don't touch the adhesive side. This will impair the quality of the photos. Hold the anti-mist film carefully by the edge.

3. Stick the anti-mist film in the centre of the camera lens.
4. Remove the outer protective foil of the anti-mist film.

Super cooling

Super cooling sets the refrigerator temperature to the coldest temperature setting for approx. 6 hours. Then the appliance automatically switches to the temperature set prior to super cooling mode.

Switch on super cooling mode, e.g.

- before placing large quantities of food in the refrigerator compartment.
- for the fast cooling of drinks.

Switching on and off

Fig. **4**

1. Select the refrigerator section using the °C button.
2. Press the super button until the supercool display lights up.

You do not need to switch off super cooling. After 6 hours, the previously set temperature is automatically restored.

Note

When super cooling is switched on, increased operating noises may occur.

Freezer compartment

Use the freezer compartment

- To store deep-frozen food.
- To make ice cubes.
- To freeze food.

Note

Ensure that the freezer compartment door has been closed properly. If the door is open, the frozen food will thaw. The freezer compartment will become covered in thick ice. Also: waste of energy due to high power consumption!

Max. freezing capacity

Information about the max. freezing capacity within 24 hours can be found on the rating plate. Fig. 16

Prerequisites for max. freezing capacity

- Switch on super freezing before placing fresh products in the compartment (see chapter entitled “Super freezing”).
- Remove containers; stack food directly on the shelf and on the floor of the freezer compartment.
- Freeze large quantities of food preferably in the very top compartment where food freezes particularly quickly and therefore also gently.

Freezing and storing food

Purchasing frozen food

- Packaging must not be damaged.
- Use by the “use by” date.
- Temperature in the supermarket freezer must be -18 °C or lower.
- If possible, transport deep-frozen food in an insulated bag and place quickly in the freezer compartment.

Note when loading products

- Preferably freeze large quantities of food in the top compartment, where food freezes particularly quickly and therefore also gently.
- Place the food over the whole area of the compartments or the frozen food containers.

Note

Food which is already frozen must not come into contact with the food which is to be frozen. If required, move the frozen food to other frozen food containers.

Storing frozen food

Insert frozen food container all the way to ensure unrestricted air circulation.

Freezing fresh food

Freeze fresh and undamaged food only. To retain the best possible nutritional value, flavour and colour, vegetables should be blanched before freezing. Aubergines, peppers, zucchini and asparagus do not require blanching. Literature on freezing and blanching can be found in bookshops.

Note

Keep food which is to be frozen away from food which is already frozen.

- The following foods are suitable for freezing:
Cakes and pastries, fish and seafood, meat, game, poultry, vegetables, fruit, herbs, eggs without shells, dairy products such as cheese, butter and quark, ready meals and leftovers such as soups, stews, cooked meat and fish, potato dishes, soufflés and desserts.
- The following foods are not suitable for freezing:
Types of vegetables, which are usually consumed raw, such as lettuce or radishes, eggs in shells, grapes, whole apples, pears and peaches, hard-boiled eggs, yoghurt, soured milk, sour cream, crème fraîche and mayonnaise.

Packing frozen food

To prevent food from losing its flavour or drying out, place in airtight containers.

1. Place food in packaging.
2. Remove air.
3. Seal the wrapping.
4. Label packaging with contents and date of freezing.

Suitable packaging:

Cling wrap, tubular film made of polyethylene, aluminium foil, freezer containers.

These products are available from specialist outlets.

Unsuitable packaging:

Wrapping paper, greaseproof paper, cellophane, bin liners and used shopping bags.

Items suitable for sealing packaged food:

Rubber bands, plastic clips, string, cold-resistant adhesive tape, etc.

Bags and tubular film made of polyethylene (PE) can be sealed with a film heat sealer.

Shelf life of frozen food

Storage duration depends on the type of food.

At a temperature of $-18\text{ }^{\circ}\text{C}$:

- Fish, sausage, ready meals and cakes and pastries:
up to 6 months
- Cheese, poultry and meat:
up to 8 months
- Vegetables and fruit:
up to 12 months

Super freezing

Food should be frozen solid as quickly as possible in order to retain vitamins, nutritional value, appearance and flavour.

Several hours before placing fresh food in the freezer compartment, switch on super freezing to prevent an unwanted temperature rise.

As a rule, 4–6 hours is adequate.

This appliance runs constantly and the freezer compartment drops to a very low temperature.

If the max. freezing capacity is to be used, super freezing must be switched on for 24 hours before the fresh produce is placed in the freezer compartment.

Smaller quantities of food (up to 2 kg) can be frozen without “super freezing”.

Note

When super freezing is switched on, increased operating noises may occur.

Switching on and off

Fig. 4

1. Select the freezer section using the °C button.
2. Press the super button until the superfreeze display lights up.

You do not need to switch off super freezing. After approx. 2½ days, the previously set temperature is automatically restored.

Thawing frozen food

Depending on the type and application, select one of the following options:

- at room temperature
- in the refrigerator
- in an electric oven, with/without fan assisted hot-air
- in the microwave

Caution

Do not refreeze thawing or thawed food. Only ready meals (boiled or fried) may be refrozen.

No longer store the frozen produce for the max. storage period.

Interior fittings

Shelves and containers

You can reposition the inner shelves and the containers in the door as required: pull shelf forwards, lower and swivel out to the side. Lift the container and remove.

Special features

(not all models)

Butter and cheese compartment

To open the butter compartment, gently press in the middle of the butter compartment flap.

To clean the compartment, lift it at the bottom and take out.

Breakfast set

Fig. 5

The containers for the breakfast set can be taken out and filled individually.

You can take out the breakfast set for loading and unloading. To do this, lift the breakfast set and pull out. The container holder can be moved.

Bottle shelf

Fig. 6

Bottles can be stored securely on the bottle shelf.

Ice cube tray

Fig. 13

1. Fill the ice cube tray $\frac{3}{4}$ full of drinking water and place in the freezer compartment.
2. If the ice tray is stuck to the freezer compartment, loosen with a blunt implement only (spoon-handle).
3. To loosen the ice cubes, twist the ice tray slightly or hold briefly under flowing water.

Freezer calendar

Fig. 12

To prevent the quality of the frozen food from deteriorating, do not exceed the storage duration. The figures next to the symbols indicate the permitted storage period of the produce in months. In the case of commercially available frozen food observe the date of manufacture or use-by date.

Ice block

If a power failure or malfunction occurs, the ice blocks can be used to slow down the thawing process. The longest storage time is obtained by placing the ice pack on the food in the top compartment.

The ice blocks can also be used to cool food temporarily, e. g. in a cold bag.

Ice maker

Fig. 14

Use only drinking water to make ice cubes.

1. Take out water container and fill with drinking water up to the mark.

Note

If too much drinking water is added, the function of the ice maker may be impaired. The ice cubes cannot be removed individually from the ice tray. Too much drinking water was added and is running into the storage container, causing any ice cubes to freeze together.

2. Pour drinking water into the filler opening.
3. Re-insert water container.
4. When the ice cubes are frozen, press lever down and release. The ice cubes loosen and fall into the storage container.
5. Pull out storage container and remove ice cubes.

Sticker “OK”

(not all models)

The sticker “OK” lets you check whether the refrigerator compartment achieves the safe temperature ranges of +4 °C or colder recommended for food. If the sticker does not indicate “OK”, gradually reduce the temperature.

Note

When the appliance is switched on, it may take up to 12 hours until the set temperature is reached.



Correct setting

Switching off and disconnecting the appliance

Switching off the appliance

Press "+" button for 10 seconds.
Refrigeration unit switches off.
(Not all models).

Disconnecting the appliance

If you do not use the appliance for a prolonged period:

1. Pull out the mains plug or switch off the fuse.
2. Clean the appliance.
3. Leave appliance doors open.

Note

To avoid damage to the appliance, appliance doors must be opened far enough that they remain in that position on their own. Do not jam any objects into the door to prop it open.

Cleaning the appliance

Caution

- Do not use abrasive, chloride or acidic cleaning agents or solvents.
- Do not use scouring or abrasive sponges.
The metallic surfaces could corrode.
- Never clean shelves and containers in the dishwasher.
The parts may become deformed!

The cleaning water must not get into the following areas:

- Controls
- Illumination
- Ventilation openings
- Openings in the separating plate

Proceed as follows:

1. Pull out the mains plug or switch off the fuse.
2. Take out the frozen food and store in a cool location. Place ice pack (if available) on the food.
3. The rinsing water must not drip into the controls, lighting, ventilation openings or the openings in the partition!
Clean the appliance with a soft cloth, lukewarm water and a little pH-neutral washing-up liquid.
4. Wipe the door seal with clear water only and then wipe dry thoroughly.
5. After cleaning reconnect the appliance.
6. Put the frozen food back into the appliance.

Interior fittings

All variable parts of the appliance can be taken out for cleaning.

Take out shelves in the door

Fig. **3**

Lift shelves upwards and take out.

Take out glass shelves

Pull the glass shelves forwards and take out.

Removing the container

Fig. **9**

Pull out the container all the way, lift at the front and remove.

Taking out the frozen food container

Fig. 10

Pull out the frozen food container all the way, lift at the front and remove.

Taking out glass shelf above vegetable container

Fig. 11

The glass shelf can be taken out and disassembled for cleaning.

Note

Before taking out the glass shelf, pull out vegetable container.

Cleaning the ice maker

Clean the ice maker regularly. This will prevent ice cubes, which were made quite a long time ago, from shrinking, having a stale taste or sticking together.

1. Take out the ice maker. Fig. 15
2. Remove and empty the storage container.
3. Remove cover from the ice maker.
4. Clean all parts of the ice maker with warm water.
5. Leave parts to dry completely.
6. Assemble ice maker and insert.

Camera

The camera lenses are covered with a moisture-repellent film.

You can clean this with a micro-fibre cloth.

Replace the film if it is damaged.

Light (LED)

Your appliance features a maintenance-free LED light.

These lights may be repaired by customer service or authorised technicians only.

Tips for saving energy

- Install the appliance in a dry, well ventilated room! The appliance should not be installed in direct sunlight or near a heat source (e.g. radiator, cooker).
If required, use an insulating plate.
- Allow warm food and drinks to cool down before placing in the appliance.
- Thaw frozen food in the refrigerator compartment and use the low temperature of the frozen food to cool refrigerated food.
- Open the appliance as briefly as possible.
- To achieve the lowest energy consumption, leave a small wall gap at the side.
- The arrangement of the fittings does not affect the energy rating of the appliance.

Operating noises**Quite normal noises****Note**

When super freezing is switched on, increased operating noises may occur.

Droning

Motors are running (e.g. refrigerating units, fan).

Bubbling, humming or gurgling noises
Refrigerant is flowing through the tubing.

Clicking

Motor, switches or solenoid valves are switching on/off.

Cameras are making a clicking sound

Standby mode is finishing and the cameras are being calibrated. No data transfer takes place.

Cracking

Automatic defrosting is running.

Preventing noises**The appliance is not level**

Please align the appliance with a spirit level. Use the height-adjustable feet or place packing underneath them.

The appliance is not free-standing

Please move the appliance away from adjacent units or appliances.

Containers or storage areas wobble or stick

Please check the removable parts and re-insert them correctly if required.

Bottles or receptacles are touching each other

Move the bottles or receptacles slightly away from each other.

Eliminating minor faults yourself

Before you call customer service:

Please check whether you can eliminate the fault yourself based on the following information.

Customer service will charge you for advice – even if the appliance is still under guarantee!

Fault	Possible cause	Remedial action
Temperature differs greatly from the set value.		In some cases it is adequate to switch off the appliance for 5 minutes. If the temperature is too high wait a few hours and check whether the temperature has approached the set value. If the temperature is too low check the temperature again the next day.
It is too cold in the refrigerator section or in the chill compartment.		Increase the temperature in the refrigerator section. Push temperature controller for the chill compartment downwards. Fig. 7
The temperature in the freezer compartment is too warm.	Appliance opened frequently.	Do not open the appliance unnecessarily.
	The ventilation openings have been covered.	Remove obstacles.
	Large quantities of fresh food are being frozen.	Do not exceed max. freezing capacity.
Appliance is not cooling, temperature display and light are lit.	Showroom mode is switched on.	Press and hold the °C button and the setting button + for 5 seconds until a confirmation tone sounds. After a short time, check whether your appliance is cooling.
The side panels of the appliance are warm.	Pipes run into the side panels which heat during the cooling process.	That is normal behaviour for the appliance and not a fault. Furniture touching the appliance will not be damaged by the heat.

Fault	Possible cause	Remedial action
The light does not function.	The LED light is defective.	See chapter "Light (LED)" section.
	Appliance was open too long. Light is switched off after approx. 10 min.	When the appliance is closed and opened, the light is on again.
Displays do not illuminate.	Power failure; the fuse has been switched off; the mains plug has not been inserted properly.	Connect mains plug. Check whether the power is on, check the fuses.
Freezer compartment door was open for a long time; temperature is no longer reached.	The evaporator (refrigeration generator) in the NoFrost system is covered in thick ice and can no longer be defrosted fully automatically.	To defrost the evaporator, remove the frozen food with the compartments, insulate well and store in a cool location. Switch off the appliance and move it away from the wall. Leave the appliance door open. After approx. 20 min. the condensation begins to run into the evaporation pan, at the rear of the appliance. To prevent the evaporation pan from overflowing in this case, mop up the condensation with a sponge. The evaporator is defrosted when the water stops running into the evaporation pan. Clean the interior. Switch the appliance back on again.
The cameras do not take any photos.	The cameras are not activated in Home Connect.	Activate the cameras.
The photos are blurry.	The door was closed too quickly.	Close the door more slowly.
	The anti-mist film is damaged.	Replace the anti-mist film.
Camera lenses are misted up.	The anti-mist film is damaged.	Replace the anti-mist film.

Appliance self-test

Your appliance features an automatic self-test program which shows you sources of faults which may be repaired by customer service only.

Starting the appliance self-test

1. Switch off the appliance and wait 5 minutes.
2. Switch on the appliance and within the first 10 seconds, press and hold the °C button and the "-" setting button for 3–5 seconds until an audible signal sounds.

The self-test programme starts.

When the self-test ends and an audible signal sounds twice, your appliance is in working order.

If 5 audible signals sound, there is an error. Inform customer service.

Ending the appliance self-test

When the programme has ended, the appliance switches over to normal operation.

Customer service

Your local customer service can be found in the telephone directory or in the customer-service index. Please provide customer service with the appliance product number (E-Nr.) and production number (FD-Nr.).

This information can be found on the rating plate. Fig. **16**

To prevent unnecessary call-outs, please assist customer service by quoting the product and production numbers. This will save you additional costs.

Repair order and advice on faults

Contact information for all countries can be found on the enclosed customer service list.

GB	0344 892 8979	Calls charged at local or mobile rate.
IE	01450 2655	0.03 € per minute at peak. Off peak 0.0088 € per minute.
US	800 944 2904	toll-free

Указания по безопасности и предупреждения

Прежде чем ввести прибор в эксплуатацию

Внимательно прочтите инструкцию по монтажу и эксплуатации! В ней содержится важная информация по установке, использованию и техническому обслуживанию прибора.

Изготовитель не несет никакой ответственности за последствия, если Вы не соблюдали указания и предупреждения, приведенные в инструкции по эксплуатации. Сохраните всю документацию для позднейшего использования или для передачи ее следующему владельцу прибора.

Техническая безопасность

В трубах контура циркуляции хладагента имеется в небольшом количестве экологически безвредный, но горючий хладагент (R600a). Он не разрушает озоновый слой и не способствует развитию парникового эффекта. При вытекании хладагент может привести к травмам глаз или воспламенению.

При повреждении:

- Не подходите близко к бытовому прибору с открытым пламенем или какими-либо иными источниками воспламенения,
- хорошо проветрите помещение в течение нескольких минут,
- выключите холодильник и извлеките вилку из розетки,
- сообщите о повреждениях в сервисную службу.

Чем большее количество хладагента содержится в бытовом приборе, тем больше должно быть помещение, в котором он установлен. В слишком маленьких помещениях при утечке хладагента может образоваться горючая смесь паров хладагента с воздухом. На каждые 8 г хладагента должен приходиться как минимум 1 м³ помещения. Количество хладагента, содержащееся в Вашем бытовом приборе, приведено в фирменной табличке, расположенной внутри бытового прибора.

В случае повреждения сетевой шнур данного прибора заменяется изготовителем, сервисной службой или специалистом с соответствующей квалификацией. Неквалифицированно выполненные установка и ремонт бытового прибора могут превратить его в источник серьезной опасности для пользователя. Ремонт производится только изготовителем, сервисной службой или специалистом с соответствующей квалификацией.

Разрешается использовать только оригинальные запчасти изготовителя. Только в отношении этих деталей изготовитель гарантирует, что они отвечают требованиям техники безопасности.

Не используйте многоконтактные розетки, удлинительные кабели или адаптеры.

При эксплуатации

- Никогда не использовать электрические приборы внутри прибора (напр.: нагревательные приборы, электрические мороженицы и т.д.). Взрывоопасность!
- Никогда не размораживать и не чистить прибор с помощью пароочистителя! Пар может попасть на электрические детали и вызвать короткое замыкание. Опасность поражения электрическим током!
- Не использовать предметы с острым концом или острыми краями для удаления слоев инея или льда. Тем самым Вы можете повредить трубки, по которым циркулирует хладагент. Брызги хладагента могут воспламениться или привести к поражению глаз.

- Не хранить продукты с горючими газами-вытеснителями (напр., аэрозольные баллончики), а также взрывоопасные вещества. Взрывоопасность!
- Не использовать цокольную подставку, вытяжные полки, дверцы и т.д. в качестве подножки или опоры.
- Для размораживания и чистки извлечь вилку из розетки или отключить предохранитель. При извлечении вилки из розетки следует тянуть за вилку, а не за сетевой шнур.
- Крепкие алкогольные напитки хранить только плотно закрытыми и стоя.
- Не допускать попадания масла или жира на пластмассовые детали и уплотнитель дверцы. Иначе пластмассовые детали и уплотнитель дверцы станут пористыми.
- Никогда не закрывать и не загоразивать вентиляционные отверстия прибора.
- **Предупреждение рисков для детей и подверженных опасности лиц:**

К подверженным опасности лицам относятся дети, лица с физическими и психическими ограничениями или с ограниченным восприятием, а также лица, не обладающие достаточными знаниями для надежной эксплуатации прибора.

Убедитесь в том, что дети и подверженные опасности лица осознали грозящие опасности.

При использовании прибора, дети и подверженные опасности лица должны находиться под надзором или руководством лица, отвечающего за их безопасность.

Пользование прибором можно позволять только детям старше 8 лет.

Во время чистки и технического обслуживания дети должны находиться под надзором.

Ни в коем случае не позволять детям играть с прибором.

- В морозильном отделении нельзя хранить жидкости в бутылках или жестяных банках (особенно газированные напитки). Бутылки и банки могут лопнуть!
- Замороженные продукты никогда не брать в рот сразу после извлечения из морозильного отделения. Опасность холодового ожога!
- Избегайте продолжительного контакта рук с замороженными продуктами, льдом или трубками испарителя и т.д. Опасность холодового ожога!

Если в доме есть дети

- Упаковку и ее составные части нельзя отдавать детям. Существует опасность удушья, которой дети подвергаются, закрывшись в картонной коробке или запутавшись в полиэтиленовой пленке!
- Холодильник – это не игрушка для детей!
- В случае с холодильниками, дверь которых закрывается на замок: храните ключ от замка в недоступном для детей месте!

Общая информация

Бытовой прибор предназначен

- для охлаждения и замораживания продуктов питания,
- для приготовления пищевого льда.

Этот прибор предназначен для использования в частном домашнем хозяйстве и в бытовых условиях.

Согласно предписаниям Директивы ЕС 2004/108/ЕС, бытовой прибор при работе не создает радиопомех.

Контур циркуляции хладагента проверен на герметичность.

Данный бытовой прибор отвечает соответствующим требованиям Предписаний по технике безопасности для электрических приборов (EN 60335-2-24).

Данный прибор предназначен для использования на высоте не более 2000 м над уровнем моря.

Указания по утилизации

Утилизация упаковки

Весь упаковочный материал, который использовался для защиты холодильника при транспортировке, пригоден для вторичной переработки и не наносит вреда окружающей среде. Внесите, пожалуйста, и Вы свой вклад в дело защиты окружающей среды, сдав упаковку на экологичную утилизацию.

Информацию об актуальных методах утилизации Вы можете получить у Вашего торгового агента или в административных органах по месту Вашего жительства.

Утилизация старого холодильника

Отслужившие свой срок старые бытовые холодильники нельзя рассматривать как бесполезные отходы! Благодаря экологичной утилизации из них удастся получить ценное сырье.



Данный прибор имеет отметку о соответствии европейским нормам 2012/19/EU утилизации электрических и электронных приборов (waste electrical and electronic equipment - WEEE).

Данные нормы определяют действующие на территории Евросоюза правила возврата и утилизации старых приборов.

Предупреждение

В случае с отслужившими свой срок холодильниками:

1. Извлеките вилку из розетки.
2. Отрежьте сетевой шнур и уберите его подальше вместе с вилкой.
3. Полки, боксы и контейнеры извлекать не следует, чтобы дети не смогли забраться внутрь холодильника!
4. Не позволяйте детям играть со старым бытовым прибором. Опасность удущья!

В холодильной установке содержится хладагент, а в изоляции бытового прибора – газы, утилизация которых должна проводиться квалифицированно. Трубки контура, по которому циркулировал хладагент, ни в коем случае не должны быть повреждены до начала утилизации.

Объем поставки

Убедитесь в отсутствии возможных повреждений элементов при транспортировке, освободив все элементы от упаковки.

С рекламациями обращайтесь в магазин, в котором Вы приобрели прибор, или в нашу сервисную службу.

В комплект поставки входят следующие элементы:

- Напольный прибор
- Оснащение (в зависимости от модели)
- Мешок с монтажными материалами
- Инструкция по эксплуатации
- Инструкция по монтажу
- Книжка сервисной службы

- Гарантия в приложении
- Информация о расходе электроэнергии и шумах

Место установки

Лучше всего устанавливать бытовой прибор в сухом, хорошо проветриваемом помещении. На прибор не должны попадать прямые солнечные лучи, и он не должен располагаться в непосредственной близости от таких источников тепла, как плита, радиатор отопления и пр. Если этого не удастся избежать, то необходимо воспользоваться подходящей плитой из изолирующего материала или расположить прибор таким образом, чтобы выдерживались следующие расстояния до источника тепла:

- До электрической и газовой плит: 3 см.
- До плиты, отапливаемой жидким топливом или углем: 30 см.

Пол на месте установки прибора не должен прогибаться, при необходимости его следует упрочнить. Возможные неровности пола следует компенсировать с помощью подложек.

Расстояние от стены

Установите прибор так, чтобы двери открывались под углом 90°.

Выравнивание прибора

Поставить прибор в предназначенное для него место и выровнять его. Он должен стоять устойчиво и ровно. Неровности пола следует скомпенсировать с помощью обеих передних винтовых ножек. Для регулировки винтовых ножек по высоте использовать гаечный ключ.

Указание

Прибор должен стоять вертикально. Выровняйте его с помощью уровня.

Температура окружающей среды и вентиляция

Температура окружающей среды

Холодильник относится к определенному климатическому классу. В зависимости от климатического класса, холодильник может работать при приведенных ниже значениях температуры окружающей среды.

Климатический класс прибора указан в его типовой табличке (рисунок 16).

Климатический класс	Допустимая температура окружающей среды
SN	от +10 °C до +32 °C
N	от +16 °C до +32 °C
ST	от +16 °C до +38 °C
T	от +16 °C до +43 °C

Указание

Полная функциональность прибора обеспечена в пределах температуры окружающей среды указанного климатического класса. Если прибор климатического класса SN работает при более низкой температуре окружающей среды, то повреждения прибора можно исключить до температуры +5 °С.

Вентиляция

Рисунок **2**

Воздух у задней стенки прибора и у его боковых стенок нагревается. Нагретый воздух должен иметь возможность беспрепятственно подниматься вверх. Иначе холодильный агрегат должен будет работать с повышенной нагрузкой. А это повышает расход электроэнергии. Поэтому: Никогда не закрывайте и ничем не загораживайте вентиляционные отверстия холодильника!

Подключение бытового прибора

После установки бытового прибора следует подождать как минимум 1 час и только потом вводить его в эксплуатацию. Так как не исключено, что во время транспортировки бытового прибора содержащееся в компрессоре масло могло попасть в систему охлаждения. Перед вводом бытового прибора в эксплуатацию в первый раз следует почистить его изнутри (смотрите раздел «Чистка бытового прибора»).

Подключение к электросети

Розетка должна находиться вблизи прибора и в свободно доступном месте также после установки прибора.

Предупреждение

Опасность поражения электрическим током!

Если длина сетевого шнура недостаточна, ни в коем случае не используйте многоконтактные розетки или удлинительные кабели. Обратитесь в сервисную службу, где вам предложат альтернативные варианты.

Прибор соответствует классу защиты I. Прибор подключайте к сети переменного тока 220–240 В/50 Гц с помощью установленной надлежащим образом розетки с защитным заземлением. Сетевая розетка должна быть оснащена предохранителем на 10–16 А.

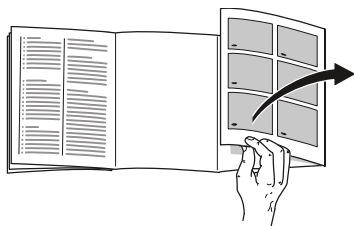
Применительно к бытовым приборам, которые будут эксплуатироваться в неевропейских странах, необходимо проверить, чтобы значение напряжения и вид тока совпадали с параметрами электросети пользователя. Эти данные приведены на типовой табличке холодильника, рисунок **16**.

Предупреждение

Прибор нельзя ни в коем случае подключать к электронным энергосберегающим штекерам.

Для использования наших бытовых приборов можно применять ведомые сетью и синусные инверторы. Ведомые сетью инверторы применяются в фотогальванических энергетических установках, которые подсоединяются непосредственно к общественной сети энергоснабжения. В изолированных условиях (напр., на кораблях или в горных приютах) без непосредственного подсоединения к общественной электросети необходимо применение синусных инверторов.

Знакомство с бытовым прибором



Откройте, пожалуйста, последние страницы с рисунками. Данная инструкция по эксплуатации действительно для нескольких моделей.

Комплектация моделей может отличаться друг от друга.

Поэтому в рисунках не исключены некоторые отличия.

Рисунок **1**

* Не во всех моделях.

- A Холодильное отделение
- B Морозильное отделение
- 1–15 Элементы управления
- 16* Отделение для масла и сыра
- 17 Фотокамера
- 18 Полка для маленьких бутылок
- 19 Полка для больших бутылок
- 20 Освещение (на светодиодах)
- 21* Полка для бутылок
- 22* в комплект для завтрака
- 23 Отделение с пониженной температурой
- 24 Контейнер для овощей и фруктов с регулятором влажности
- 25* Льдогенератор/Емкость для кубиков пищевого льда
- 26* Бокс для замороженных продуктов

Элементы управления

Рисунок **4**

- 1 **Индикация температуры в морозильном отделении**
Цифры соответствуют значениям установленной для морозильного отделения температуры в °С.
- 2 **Индикация – ALARM –**
Выделяется, если в морозильном отделении слишком тепло.
- 3 **Индикация superfreeze**
Выделяется в режиме суперзамораживания.
- 4 **Индикация freshness mode**
Выделяется, если включен режим свежести.

5 **Индикация экономного режима**

Выделяется, если включен экономный режим.

6 **Индикация – ALARM –**

Выделяется, если в холодильном отделении слишком тепло.

7 **Индикатор температуры в холодильном отделении**

Цифры соответствуют значениям установленной для холодильного отделения температуры в °С.

8 **Индикация supercool**

Выделяется в режиме суперохлаждения.

9 **Индикация vacation mode**

Выделяется, если включен режим «Отпуск».

10 **Функция блокировки кнопок Lock**

В случае включения этой функции Вы не сможете произвести установки с помощью элементов управления.

11 **Кнопка lock/alarm off**

Кнопка служит для

- выключения предупредительного сигнала (см. раздел «Предупредительная функция»)
- для включения и выключения блокировки кнопок.

12 **Кнопки установки +/-**

Кнопки служат для установки температуры в холодильном и морозильном отделении.

13 **Кнопка °С для выбора отделения**

Служит для выбора отделения. Это необходимо, чтобы изменить его температуру или включить определенные специальные функции.

14 **Кнопка «super»**

Служит для включения функций supercool (холодильное отделение) и superfreeze (морозильное отделение).

15 **Кнопка mode**

Для выбора специальных функций.

Включение прибора

1. Вставьте сначала штекер в гнездо на задней стенке прибора. Проверьте, вставлен ли штекер до отказа.
2. Подсоедините затем другой конец кабеля к розетке.

Прибор теперь включен, и звучит предупредительный сигнал.

Нажмите на кнопку lock/alarm off, чтобы отключить предупредительный сигнал.

Индикация – ALARM – гаснет, как только прибор достигнет заданной температуры.

Заданные температуры будут достигнуты через несколько часов. Раньше этого срока загружать продукты в бытовой прибор нельзя.

Специалистами завода-изготовителя рекомендуются следующие установочные значения температуры:

- Морозильное отделение: -18 °С
- Холодильное отделение: +4 °С

Указания по эксплуатации

- После включения прибора может потребоваться несколько часов для достижения установленного уровня температуры.
- Благодаря полностью автоматической системе «No Frost» внутри морозильного отделения лед не образуется. В размораживании больше нет необходимости.
- Если после закрывания дверцу не удастся сразу снова открыть, то нужно подождать некоторое время, пока компенсируется создавшееся внутри отделения пониженное давление.
- Передняя сторона и боковые стенки корпуса частично слегка подогреваются. Это предотвращает образование конденсата.

Установка температуры

Рисунок 4

Холодильное отделение

Температура регулируется в диапазоне от +2 °С до +8 °С.

1. Выберите холодильное отделение кнопкой °С.
2. Нажимайте на кнопки +/- до тех пор, пока на дисплее не появится нужная температура.

Скорпортящиеся продукты не должны храниться при температуре выше +4 °С.

Морозильное отделение

Температура регулируется в диапазоне от -16 °С до -24 °С.

1. Выберите морозильное отделение кнопкой °С.
2. Нажимайте на кнопки +/- до тех пор, пока на дисплее не появится нужная температура.

Специальные функции

Рисунок 4

Режим свежести

Благодаря режиму свежести еще дольше сохраняется свежесть продуктов.

Включение:

Нажимайте кнопку mode до появления индикации freshness mode.

Прибор устанавливает автоматически следующую температуру:

- холодильное отделение: + 2 °С
- морозильное отделение: остается без изменений

Выключение:

Нажимайте кнопку mode, пока не погаснет индикация freshness mode.

Экономный режим

В экономном режиме прибор переходит на режим работы с экономией электроэнергии.

Включение:

Нажимайте кнопку mode, пока не появится индикация «экономный режим».

Прибор устанавливает автоматически следующую температуру:

- холодильное отделение: +8 °С
- морозильное отделение: –16 °С

Выключение:

Нажимайте кнопку mode, пока не погаснет индикация «экономный режим».

Отпускной режим эксплуатации

На период длительного отсутствия Вы можете перевести холодильник в отпускной режим – режим экономии электроэнергии.

Температура в холодильном отделении автоматически переводится на значение +14 °С.

В это время в холодильном отделении не следует хранить продукты питания.

Включение:

Нажимайте кнопку mode до появления индикации vacation mode.

Прибор устанавливает автоматически следующую температуру:


- холодильное отделение: +14 °С
- Морозильное отделение: остается без изменений

Выключение:

Нажимайте кнопку mode, пока не погаснет индикация vacation mode.

Функция блокировки кнопок Lock

Для включения и выключения блокировки кнопок держите нажатой кнопку lock/alarm off 5 секунд.

При включенной функции выделена индикация .

При этом панель управления предохранена от нежелательных операций управления.

Снятие блокировки кнопок:

Для выключения блокировки кнопок и при звуковом предупредительном сигнале можно нажать на кнопку lock/ alarm off.

Режим sabbath

При включении режима sabbath следующие установки выключаются:

- Звуковые сигналы
- Внутреннее освещение
- Сообщения в поле дисплея
- Интенсивность подсветки поля дисплея снижается
- Кнопки блокируются

Включение и выключение режима sabbath:

Держите нажатой кнопку super 15 секунд.

Предупредительная функция

Предупредительная сигнализация может включиться в следующих случаях.

Предупредительный сигнал при открытой дверце

Если прибор остается слишком долго открытым, включается предупредительный сигнал при открытой двери (непрерывный звуковой сигнал) и на индикаторе температуры холодильного отделения 7 появляется – ALARM –. Предупредительный сигнал при открытой двери выключается после закрытия двери прибора.

Сигнализация предупреждения о повышении температуры

Раздается периодический звуковой сигнал, на индикаторе температуры морозильного отделения 1 появляется – ALARM –.

Предупредительный сигнал при повышении температуры включается, если в морозильном отделении становится слишком тепло и замороженные продукты могут разморозиться.

Предупредительная сигнализация может включиться, даже если замороженным продуктам не угрожает размораживание, в следующих случаях:

- При вводе прибора в эксплуатацию.
- При загрузке большого количества свежих продуктов питания.

Указание

Подтаявшие или полностью размороженные продукты нельзя снова замораживать. Только после тепловой обработки продуктов (их можно сварить или поджарить) готовые блюда можно снова заморозить.

Но готовые блюда нельзя хранить так долго, как свежие продукты.

В течение 5 секунд дисплей показывает самую высокую температуру, которая господствовала в морозильном отделении. После чего на дисплей снова выводится заданная температура.

Отключение предупредительного сигнала

Нажмите кнопку lock/alarm off, чтобы отключить предупредительный сигнал.

Home Connect

Этот прибор поддерживает Wi-Fi, и им можно управлять дистанционно через мобильное оконечное устройство.

Указание

Wi-Fi является зарегистрированной товарной маркой Wi-Fi Alliance.

В указанных ниже случаях прибор функционирует как холодильник без сетевого соединения, и им можно управлять вручную элементами управления.

- Прибор не соединен с домашней сетью.
- В стране, где установлен прибор, отсутствует сервис Home Connect. Перечень стран, в которых предлагается сервис Home Connect, приведен на сайте www.home-connect.com.

Указания

- Соблюдайте изложенные в данной инструкции правила техники безопасности также при дистанционном управлении прибором через приложение Home Connect, когда вы находитесь вне дома.

Соблюдайте также указания, содержащиеся в приложении Home Connect.

- Приоритетным является управление непосредственно на самом приборе. В этом случае одновременное управление через приложение Home Connect невозможно.

Установка Home Connect

Указания

- Примите во внимание руководство к Home Connect, которое можно скачать на сайте <http://www.bosch-home.com> в разделе инструкций. Для этого введите в поле поиска E-номер вашего прибора.
- После включения прибора выждите минимум две минуты до завершения внутренней инициализации прибора. Только после этого выполните настройку Home Connect.
- Для выполнения настроек через Home Connect на мобильном оконечном устройстве должно быть установлено приложение Home Connect. Информация об этом содержится в прилагаемой документации Home Connect. При выполнении настроек следуйте предлагаемому приложением алгоритму.

- Если на приборе в течение длительного времени не выполнялись операции управления, меню Home Connect автоматически закрывается. Указания о том, как открыть меню Home Connect, приведены в начале соответствующих глав.

Автоматическая связь с домашней сетью (WLAN)

Если имеется маршрутизатор WLAN с функцией WPS, возможно автоматическое установление связи холодильника с домашней сетью.

1. Нажмите одновременно кнопку **super** и кнопку **lock/alarm off**, чтобы открыть меню Home Connect. Дисплей показывает **Sp**.

Указание

Нажимайте обе кнопки в точности одновременно. При длительном нажатии одной лишь кнопки **lock/alarm off** кнопочное управление блокируется. Снова нажмите кнопку **lock/alarm off**, пока блокировка не будет снята.

2. Нажимайте кнопку **°C** до появления индикаций **AC** и **oF**.
3. Нажмите кнопку **+**.

Прибор готов для автоматической связи.

На дисплее в течение 2 минут отображается анимация.

За это время выполните следующие шаги.

4. Активируйте функцию WPS на маршрутизаторе домашней сети (например, кнопкой WPS/WLAN; сведения об этом приведены в документации маршрутизатора).

- В случае успешного установления связи на дисплее холодильника мигает **on**.

Теперь можно установить связь холодильника с приложением.

- Если на дисплее отображается **oF**, то это означает, что связь установить не удалось.

Проверьте, находится ли холодильник в зоне действия домашней сети (WLAN).

Повторите процесс или установите связь вручную.

Связь с домашней сетью вручную (WLAN)

Если имеющийся маршрутизатор WLAN не обладает функцией WPS, или если о ее наличии неизвестно, можно установить связь холодильника с домашней сетью вручную.

1. Нажмите одновременно кнопку **super** и кнопку **lock/alarm off**, чтобы открыть меню **Home Connect**.

Дисплей показывает **Sn**.

Указание

Нажимайте обе кнопки в точности одновременно. При длительном нажатии одной лишь кнопки **lock/alarm off** кнопочное управление блокируется. Снова нажмите кнопку **lock/alarm off**, пока блокировка не будет снята.

2. Нажимайте кнопку **°C** до появления индикаций **SA** и **oF**.
3. Нажмите кнопку **+**.

Прибор готов к установлению связи вручную.

На дисплее в течение 5 минут отображается анимация.

За это время выполните следующие шаги.

4. Холодильник создал собственную сеть WLAN под именем **HomeConnect**.

К этой сети теперь возможен доступ с помощью мобильного оконечного устройства.

5. Откройте меню настроек мобильного оконечного устройства и вызовите настройки WLAN.

6. Установите связь мобильного оконечного устройства с сетью WLAN **HomeConnect**.

Пароль: **HomeConnect**

Установление связи может продлиться до 60 секунд.

7. После успешного установления связи откройте приложение **Home Connect** на мобильном оконечном устройстве.

Приложение выполняет поиск холодильника.

8. После того, как холодильник будет найден, введите в соответствующие поля имя (SSID) и пароль (Key) собственной домашней сети (WLAN).

9. Подтвердите кнопкой **Передать на бытовые приборы**.

- В случае успешного установления связи на дисплее холодильника мигает **on**.

Теперь можно установить связь холодильника с приложением.

- Если на дисплее отображается **oF**, то это означает, что связь установить не удалось.

Снова введите пароль, проследив за правильным написанием.

Проверьте, находится ли холодильник в зоне действия домашней сети (WLAN).

Повторите выполненные действия.

Связь холодильника с приложением Home Connect

После того, как установлена связь между холодильником и домашней сетью, можно выполнить соединение холодильника с приложением.

1. Нажмите одновременно кнопку **super** и кнопку **lock/alarm off**, чтобы открыть меню Home Connect.

Дисплей показывает **Сп**.

Указание

Нажимайте обе кнопки в точности одновременно. При длительном нажатии одной лишь кнопки **lock/alarm off** кнопочное управление блокируется. Продолжайте нажимать кнопку **lock/alarm off**, пока блокировка не будет снята.

2. Нажимайте кнопку **°C** до появления индикаций **РА** (Pairing = связь с приложением) и **oF**.
3. Нажмите кнопку **+** для связи прибора с приложением.

На дисплее отображается анимация.

После установления связи холодильника с приложением на дисплее появится **on**.

4. Откройте приложение и подождите до появления индикации холодильника.

Нажав **Добавить**, подтвердите соединение приложения с холодильником.

Если холодильник автоматически не отображается, нажмите **Добавить прибор** в приложении и следуйте указаниям. Когда отобразится ваш холодильник, добавьте его, нажав **+**.

5. Следуйте указаниям приложения до окончания процесса.

- Дисплей покажет **РА** и **on**.

Холодильник установил связь с приложением.

- Если установить связь не удалось, проверьте, соединено ли мобильное оконечное устройство с домашней сетью (WLAN).

Затем снова установите связь холодильника с приложением.

- Когда дисплей покажет **Er**, выполните возврат настроек Home Connect и повторите настройку с самого начала.

Проверка уровня сигнала

Проверка уровня сигнала требуется, если не удастся установить связь.

1. Нажмите одновременно кнопку **super** и кнопку **lock/alarm off**, чтобы открыть меню Home Connect.

Дисплей показывает **Сп**.

Указание

Нажимайте обе кнопки в точности одновременно. При длительном нажатии одной лишь кнопки **lock/alarm off** кнопочное управление блокируется. Снова нажмите кнопку **lock/alarm off**, пока блокировка не будет снята.

2. Нажимайте кнопку °C до тех пор, пока не появится индикация **SI**. Вторая индикация покажет значение от 0 (нет приема сигнала) до 3 (полный прием сигнала).

Указание

Уровень сигнала должен быть не менее 2. Если уровень сигнала слишком низкий, возможен обрыв связи. Установите маршрутизатор и холодильник ближе друг к другу, обеспечьте отсутствие экранирующих стен, которые могут препятствовать связи, или установите промежуточный усилитель сигнала.

Активация фотокамер

С помощью этой функции можно посредством приложения проверить, что находится в холодильнике. При каждом закрывании дверцы холодильного отделения фотокамеры делают снимок холодильного отделения и дверцы холодильного отделения.

Указание

Фотокамеры делают снимок только в этот момент. Это защищает вашу частную сферу.

После того, как холодильник установил связь с домашней сетью (WLAN) и приложением Home Connect, можно активировать фотокамеры:

1. Нажмите одновременно кнопку **super** и кнопку **lock/alarm off**, чтобы открыть меню Home Connect. Дисплей показывает **Cn**.

Указание

Нажимайте обе кнопки в точности одновременно. При длительном нажатии одной лишь кнопки **lock/alarm off** кнопочное управление блокируется. Продолжайте нажимать кнопку **lock/alarm off**, пока блокировка не будет снята.

2. Нажимайте кнопку °C до появления индикаций **Ca** и **oF**.
3. Нажмите кнопку **+** для активации фотокамер. Дисплей показывает **on**, фотокамеры активированы.

Указание

Если фотокамеры активированы, и приложение часто запрашивает содержимое холодильника, имеет место повышенный обмен данными.

Указание

Загрузка фотографий может продлиться до трех минут.

Указание

Под действием внешних факторов в домашней сети и Интернете могут возникнуть неполадки связи с отменой фотографий. Это не оказывает влияния на основные функции прибора.

Деактивация камер

1. Нажмите одновременно кнопку **super** и кнопку **lock/alarm off**, чтобы открыть меню **Home Connect**.

Дисплей показывает **Cn**.

Указание

Нажимайте обе кнопки в точности одновременно. При длительном нажатии одной лишь кнопки **lock/alarm off** кнопочное управление блокируется. Продолжайте нажимать кнопку **lock/alarm off**, пока блокировка не будет снята.

2. Нажимайте кнопку **°C** до появления индикаций **Ca** и **oF**.

3. Нажмите кнопку **+** для деактивации фотокамер.

Дисплей показывает **oF**, фотокамеры деактивированы.

Возврат настроек Home Connect

Если установить связь не удалось, или если вы хотите зарегистрировать холодильник в другой домашней сети (WLAN), можно выполнить возврат настроек **Home Connect**.

1. Нажмите одновременно кнопку **super** и кнопку **lock/alarm off**, чтобы открыть меню **Home Connect**.

Дисплей показывает **Cn**.

Указание

Нажимайте обе кнопки в точности одновременно. При длительном нажатии одной лишь кнопки **lock/alarm off** кнопочное управление блокируется. Снова нажмите кнопку **lock/alarm off**, пока блокировка не будет снята.

2. Нажимайте кнопку **°C** до появления индикаций **rE** и **oF**.

3. Нажмите кнопку **+**.

- На дисплее кратковременно отображается анимация, а затем снова **oF**.

Возврат настроек **Home Connect** выполнен.

- Если появится индикация **Er**, выполните повторно возврат настроек или вызовите специалиста сервисной службы.

Доступ к сервисной службе

При обращении в сервисную службу ее специалисты могут по вашему согласию получить доступ к вашему прибору и определить его состояние. Для этого ваш прибор должен быть соединен с сетью.

Дополнительная информация о доступе к сервисной службе и наличии ее в вашей стране имеется на сайте www.home-connect.com в разделе **Справки и поддержка**.

1. Обратитесь в сервисную службу.
2. Подтвердите в приложении согласие на доступ сервисной службы. В процессе доступа сервисной службы на панели управления появляется символ **CS**.
3. После того, как специалист сервисной службы получит необходимую информацию, он закончит доступ.

Указание

Вы можете преждевременно прервать дистанционную диагностику, отключив доступ сервисной службы в приложении **Home Connect**.

О защите данных

При первом подключении к беспроводной сети, имеющей выход в Интернет, холодильник передает на сервер Home Connect данные следующих категорий (первичная регистрация):

- Однозначный идентификатор прибора (состоящий из кодовых номеров прибора и адреса MAC установленного модуля связи Wi-Fi).
- Сертификат безопасности модуля связи Wi-Fi (для информационно-технической защиты соединения).
- Текущие версии программного и аппаратного обеспечения бытового прибора.
- Статус предыдущего восстановления заводских настроек, если оно выполнялось.

Первоначальная регистрация является этапом подготовки к пользованию функциями Home Connect; необходимость в ней возникает лишь единожды, при первом пользовании Home Connect.

Указание

Примите во внимание, что пользование функциями Home Connect возможно только при наличии приложения Home Connect. Сведения о защите данных можно получить в приложении Home Connect.

Декларация о соответствии

Настоящим компания Robert Bosch Hausgeräte GmbH заявляет, что прибор с функциями Home Connect соответствует основополагающим требованиям и другим соответствующим положениям директивы 1999/5/ЕС.

Подробный текст декларации о соответствии R&TTE имеется на сайте www.bosch-home.com на странице с описанием вашего прибора в разделе дополнительной документации.



Полезный объем

Данные, касающиеся полезного объема, Вы сможете найти, внутри своего бытового прибора на типовой табличке. Рисунок **16**

Использование всего объема морозильного отделения

Для того, чтобы разместить максимальное количество замороженных продуктов, контейнеры можно извлечь. Продукты можно затем складывать прямо на полке и на дне морозильного отделения.

Указание

Избегайте касания продуктами питания задней стенки. Это нарушит циркуляцию воздуха.

Продукты питания или упаковки могут примерзнуть к задней стенке.

Извлечение элементов оснащения

Вытяните бокс для замороженных продуктов до упора, приподнимите спереди и извлеките. Рисунок **10**

- Установленный в электроприборе льдогенератор можно извлечь. Рисунок **15**

Холодильное отделение

Холодильное отделение обеспечивает идеальные условия для хранения мяса, колбасы, рыбы, молочных продуктов, яиц, готовых блюд и выпечки.

При размещении продуктов учитывать следующее

- Загружайте свежие, неповрежденные продукты. Таким образом дольше сохранятся качество и свежесть продуктов.
- Следить за указанными изготовителями сроками годности или сроками хранения готовых продуктов и развесных товаров.
- Для сохранения аромата, цвета и свежести загружать продукты в плотной упаковке или в закрытой посуде. Таким образом можно избежать изменения вкуса продуктов, а также изменения цвета пластмассовых деталей в холодильном отделении.

- Горячие блюда и напитки сначала охладить а потом поставить в прибор.

Указание

Во избежание нарушения циркуляции воздуха, не загораживайте продуктами отверстия для выхода воздуха.

Продукты питания, расположенные непосредственно перед этими отверстиями, могут заморозиться в потоке холодного воздуха.

Обратите внимание на различные температурные зоны в холодильном отделении

Из-за циркуляции воздуха в холодильном отделении возникают различные температурные зоны:

- Зоны самых низких температур находятся перед воздуховыпускными отверстиями и в отделении с пониженной температурой, рисунок **1**/23.

Указание

Храните в зонах самых низких температур скоропортящиеся продукты (напр.: рыбу, колбасу, мясо).

- Зона самой высокой температуры находится в самой верхней части дверцы.

Указание

Храните в зоне самой высокой температуры, напр., твердый сыр и масло. Аромат твердого сыра может развиваться дальше, а консистенция сливочного масла остается мягкой.

Контейнер для овощей и фруктов с регулятором влажности

Рисунок 8

Для создания оптимальных условий хранения для фруктов и овощей Вы можете отрегулировать влажность воздуха в контейнере для овощей в соответствии с количеством загруженных продуктов:

- преимущественно овощи а также при смешанной загрузке или малой загрузке – высокая влажность воздуха
- преимущественно фрукты, а также при высокой загрузке – низкая влажность воздуха

Указания

- Чувствительные к низким температурам фрукты (напр.: ананасы, бананы, папайю и цитрусовые) и овощи (напр.: баклажаны, огурцы, цуккини, паприку, помидоры и картофель) для оптимального сохранения качества и аромата следует хранить вне холодильника при температурах от +8 °С до +12 °С.
- В зависимости от количества и вида хранимых продуктов в контейнере для овощей может образовываться конденсат. Вытереть конденсат сухой тряпочкой и отрегулировать влажность воздуха в контейнере для овощей при помощи регулятора влажности.

Отделение с пониженной температурой

Рисунок 9

В отделении с пониженной температурой создается более низкая температура, чем в холодильном отделении. Температура может опускаться даже ниже 0 °С.

Эти условия идеальны для хранения рыбы, мяса и колбасы. Листовые салаты, овощи и продукты, чувствительные к воздействию низкой температуры, здесь хранить нельзя.

Температуру в отделениях с пониженной температурой можно регулировать с помощью вентиляционного отверстия. Регулятор температуры передвинуть вверх, чтобы понизить температуру. Регулятор температуры передвинуть вниз, чтобы повысить температуру. Рисунок 7

Фотокамера

Рисунок 1/17

При каждом закрытии дверцы фотокамеры выполняют снимок внутреннего пространства и отсеков с внутренней стороны дверцы. Приложение Home Connect позволяет просматривать фотографии на мобильном оконечном устройстве.

Указание

Нечеткие снимки являются свидетельством того, что дверца была слишком быстро закрыта. Чтобы обеспечить достаточное качество снимков, закрывайте дверцу медленно. Причиной нечетких снимков может также являться повреждение пленки, предохраняющей стекло от запотевания.

Замена пленки, предохраняющей стекло от запотевания

1. Снимите поврежденную пленку.
2. Отсоедините новую пленку от бумажной основы.

Указание

Не прикасайтесь к клейкой стороне. Это ухудшит качество фотографий. Держите пленку, предохраняющую стекло от запотевания, осторожно за край.

3. Приклейте пленку посередине на линзу камеры.
4. Снимите с пленки, предохраняющей стекло от запотевания, наружную защитную пленку.

Суперохлаждение

При этом холодильное отделение в течение 6 часов охлаждается до самой низкой предельно-допустимой температуры. Затем происходит автоматическое переключение на установленную до включения суперохлаждения температуру.

Функцию суперохлаждения следует включать, например

- перед загрузкой большого количества продуктов питания,
- для быстрого охлаждения напитков.

Включение и выключение

Рисунок **4**

1. Выберите холодильное отделение кнопкой °C.
2. Нажимайте на кнопку «super» до тех пор, пока не загорится индикация supercool.

Режим суперохлаждения выключать не требуется. Спустя 6 часов прибор автоматически переключится на ранее установленную температуру.

Указание

Во время работы суперохлаждения эксплуатационный шум может усилиться.

Морозильное отделение

Использование морозильного отделения

- Для хранения замороженных продуктов питания.
- Для приготовления кубиков пищевого льда.
- Для замораживания свежих продуктов.

Указание

Следите, пожалуйста, за тем, чтобы дверца морозильного отделения всегда была закрыта! Так как при открытой двери замороженные продукты могут подтаять и стенки морозильного отделения покрываются толстым слоем льда. Кроме того: расточительно расходуется электроэнергия из-за повышенного потребления тока!

Макс. производительность замораживания

Данные по макс. производительности замораживания в течение 24 часов Вы найдете в фирменной табличке.

Рисунок 16

Условия для максимальной производительности замораживания

- Включите суперзамораживание перед загрузкой свежих продуктов (см. раздел «Суперзамораживание»).
- Извлеките контейнеры; продукты сложить прямо на полке и на дне морозильного отделения.
- Большое количество продуктов лучше всего замораживать в самом верхнем отделении. Там они замораживаются очень быстро и благодаря этому в щадящих условиях.

Замораживание и хранение продуктов

Покупка замороженных продуктов

- Упаковка не должна быть повреждена.
- Обращайте внимание на указанный срок хранения.

- Температура в морозильном шкафу в магазине должна быть -18°C или ниже.
- Замороженные продукты перед транспортировкой следует по возможности сложить в термоизолирующую сумку и дома побыстрее загрузить в морозильное отделение.

При размещении продуктов учитывать следующее

- Большое количество продуктов предпочтительнее замораживать в самом верхнем отделении. Там они замораживаются особенно быстро, а значит и бережно.
- Расположить продукты свободно в отделениях или в боксах для замороженных продуктов.

Указание

Уже замороженные продукты не должны соприкасаться со свежими продуктами, предназначенными для замораживания. При необходимости, полностью промороженные продукты переложить в другие боксы для замороженных продуктов.

Хранение замороженных продуктов

Бокс для замороженных продуктов задвиньте до упора в целях обеспечения оптимальной циркуляции воздуха.

Замораживание свежих продуктов питания

Для замораживания следует брать только абсолютно свежие продукты питания.

Чтобы как можно лучше сохранить пищевую ценность, аромат и цвет, овощи следует перед замораживанием бланшировать. Бланширование не требуется для баклажанов, сладкого стручкового перца, кабачков и спаржи.

Литературу о замораживании и бланшировании Вы найдете в книжных магазинах.

Указание

Постарайтесь, чтобы предназначенные для замораживания свежие продукты питания не соприкасались с уже замороженными продуктами.

- Замораживать можно: выпечку, рыбу и морепродукты, мясо, дичь, птицу, овощи, фрукты, зелень, яйца без скорлупы, молочные продукты, напр., сыр, масло и творог, готовые блюда и остатки приготовленных блюд, напр., супы, рагу, приготовленные мясо и рыбу, блюда из картофеля, запеканки и сладкие блюда.
- Замораживать нельзя: употребляемые в пищу преимущественно в сыром виде овощи, напр., листовые салаты или редиска, яйца в скорлупе, виноград, целые яблоки, груши, персики, сваренные вкрутую яйца, йогурт, простоквашу, сметану, крем-фреш и майонез.

Упаковка продуктов для замораживания

Упакуйте продукты герметично, чтобы они не потеряли вкус и не вымерзли.

1. Положите продукты в упаковку.
2. Выдавите из упаковки весь воздух.
3. Герметично закройте упаковку.
4. Укажите на упаковке, что в ней находится, и когда продукты были заморожены.

В качестве упаковки можно использовать:

пленку из различных синтетических материалов, рукава из полиэтиленовой пленки, алюминиевую фольгу, специальные емкости для замораживания продуктов. Всю эту продукцию Вы найдете в специализированных магазинах.

В качестве упаковки нельзя использовать:

упаковочную или пергаментную бумагу, целлофан, мешки для мусора и использованные пакеты для покупок.

Для закрывания упаковки можно использовать:

резиновые кольца, пластмассовые зажимы, шпагат, морозостойкую клейкую ленту и проч.

Мешки и рукава из полиэтиленовой пленки можно заварить с помощью специального сварочного аппарата.

Продолжительность хранения замороженных продуктов

Срок хранения продуктов питания зависит от их вида.

При температуре -18 °С:

- Рыба, колбаса, готовые блюда, хлебо-булочные изделия:
до 6 месяцев
- Сыр, птица, мясо:
до 8 месяцев
- Овощи, фрукты:
до 12 месяцев

Суперзамораживание

Чтобы в замороженных продуктах сохранились витамины и питательные вещества, а также не испортились их привлекательный вид и хороший вкус, продукты должны как можно быстрее промерзнуть до самой сердцевины.

Включите суперзамораживание за несколько часов перед загрузкой свежих продуктов в целях предупреждения нежелательного повышения температуры.

В общем и целом достаточно 4–6 часов.

После включения данной функции прибор работает непрерывно. В морозильном отделении устанавливается очень низкая температура.

Для использования максимальной производительности замораживания, включите суперзамораживание за 24 часа до загрузки свежих продуктов.

Небольшие количества продуктов питания (до 2 кг) можно замораживать без включения суперзамораживания.

Указание

Во время работы суперзамораживания эксплуатационный шум может усилиться.

Включение и выключение

Рисунок 4

1. Выберите морозильное отделение кнопкой °С.
2. Нажимайте на кнопку «super» до тех пор, пока не загорится индикация superfreeze.

Режим суперзамораживания выключать не требуется. Примерно через 2 ½ дня прибор автоматически переключится на ранее установленную температуру.

Размораживание продуктов

В зависимости от вида и способа приготовления продуктов можно выбрать один из следующих способов их размораживания:

- при комнатной температуре,
- в холодильном отделении,
- в электрическом духовом шкафу, с обдувом горячим воздухом или без,
- в микроволновой печи.

Внимание

Подтаявшие или полностью размороженные продукты нельзя снова замораживать. Только после тепловой обработки продуктов (их можно сварить или поджарить) готовые блюда можно снова заморозить.

Но их нельзя хранить так же долго, как и замороженные свежие продукты.

Специальное оснащение

Полки и боксы

Полки, расположенные внутри холодильного отделения и в дверце холодильника, можно при желании переставлять в другое место: Потяните полку на себя, опустите ее спереди и затем извлеките ее сбоку из направляющих. Приподнимите полку и снимите ее с дверцы.

Специальное оснащение

(не во всех моделях)

Отделение для масла и сыра

Отделение для масла открывается легким нажатием на середину крышки отделения.

Для чистки отделение приподнять снизу и извлечь.

Комплект для завтрака

Рисунок **5**

Контейнеры комплекта для завтрака можно вынимать и заполнять по отдельности.

Комплект для завтрака можно извлечь для того, чтобы уложить в него или вынуть из него продукты. Для этого комплект для завтрака приподнять и вытянуть. Крепление контейнера можно передвигать.

Полка для бутылок

Рисунок **6**

На эту полку можно складывать бутылки, не боясь, что они упадут.

Ванночка для льда

Рисунок **13**

1. Ванночку для льда заполните на $\frac{3}{4}$ питьевой водой и поместите в морозильное отделение.
2. Примерзшую ванночку для льда отделять только тупым предметом (ручкой ложки).
3. Для извлечения кубиков льда, ванночку немного подержать под проточной водой или слегка изогнуть.

Календарь со сроками хранения замороженных продуктов

Рисунок **12**

Не превышайте сроков хранения замороженных продуктов, чтобы их качество не ухудшилось. Цифры рядом с символами – это допустимые сроки хранения замороженных продуктов в месяцах. Обращайте внимание на дату изготовления и срок годности предлагаемых в торговле быстрозамороженных продуктов.

Аккумулятор холода

При выключении электроэнергии или выходе холодильника из строя аккумулятор холода препятствует слишком быстрому нагреванию находящихся в морозильном отделении замороженных продуктов. Максимальное увеличение срока хранения возможно с помощью аккумулятора холода, положенного на продукты в верхнем отделении.

Аккумулятор холода можно также извлечь на время из морозильного отделения для охлаждения продуктов питания, например, в сумке из изолирующего материала.

Льдогенератор

Рисунок 14

Для приготовления кубиков льда использовать исключительно питьевую воду.

1. Извлечь емкость для воды и залить питьевую воду до отметки.

Указание

Если питьевой воды залито слишком много, то это может отрицательно повлиять на работу льдогенератора. Кубики льда не извлекаются отдельно из ванночки для льда. Если питьевой воды залито слишком много, то вода затекает в емкость для хранения кубиков льда, и находящиеся там кубики льда слипаются.

2. Залить питьевую воду в заливное отверстие.
3. Вставить емкость для воды обратно на место.

4. Когда кубики льда заморозятся, нажать рычаг вниз и отпустить. Кубики льда отсоединятся от ванночки и упадут в емкость для их хранения.
5. Извлечь емкость для хранения кубиков льда и вынуть кубики льда.

Наклейка «ОК»

(не для всех моделей)

С помощью наклейки «ОК» можно проверить, достигаются ли в холодильном отделении рекомендуемые для сохранности продуктов диапазоны температур не выше +4 °С. Если наклейка не показывает «ОК», то температуру следует постепенно снизить.

Указание

После ввода прибора в эксплуатацию может пройти до 12 часов, пока температура достигнет заданного уровня.



Правильная установка

Выключение прибора и вывод его из эксплуатации

Выключение прибора

Нажимайте на кнопку «+» в течение 10 секунд.

Холодильный генератор выключится.
(Не во всех моделях).

Вывод прибора из эксплуатации

Если Вы не будете использовать прибор в течение продолжительного времени:

1. Извлечь штепсельную вилку из розетки или выключить предохранитель.
2. Очистите прибор.
3. Оставить дверцу прибора открытой.

Указание

Чтобы предотвратить повреждения прибора, его дверцы должны быть открыты так широко, чтобы они самостоятельно оставались открытыми. Не зажимайте какие-либо предметы дверцей, чтобы она оставалась открытой.

Чистка прибора



Внимание

- Не использовать средства для чистки и растворители, содержащие песок, хлорид или кислоты.
- Не использовать абразивные и царапающие губки.
На металлических поверхностях может появиться коррозия.
- Никогда не мыть полки и контейнеры в посудомоечной машине.
Детали могут деформироваться!

При мойке не допускайте попадания воды

- на элементы управления
- на освещение
- в вентиляционные отверстия
- в отверстия разделительной панели

Выполните следующие действия:

1. Извлечь штепсельную вилку из розетки или выключить предохранитель.
2. Извлечь замороженные продукты и положить их в прохладное место. Положить на продукты питания аккумуляторы холода (если таковые имеются).

3. Не допускайте попадания моющей воды в элементы управления, систему освещения, вентиляционные отверстия или отверстия перегородки!

Очистить прибор мягкой тряпочкой и теплой водой с небольшим количеством моющего средства с нейтральным рН.

4. Уплотнитель дверцы протереть только чистой водой и затем тщательно вытереть насухо.
5. После чистки: снова подключите прибор к электросети.
6. Загрузить обратно замороженные продукты.

Специальное оснащение

Для чистки все передвижные элементы прибора вынимаются.

Извлечение полок в двери

Рисунок **3**

Приподнимите вверх полки и извлеките.

Извлечение стеклянных полок

Потяните стеклянные полки к себе и извлеките.

Извлечение бокса

Рисунок **9**

Вытяните бокс до упора и извлеките его, приподняв спереди.

Извлечение бокса для замороженных продуктов

Рисунок **10**

Вытяните бокс для замороженных продуктов до упора, приподнимите спереди и извлеките.

Извлечение стеклянной полки над контейнером для овощей

Рисунок **11**

Вы можете вынимать и разбирать стеклянную полку для чистки.

Указание

Перед извлечением стеклянной полки извлечь контейнер для овощей.

Чистка льдогенератора

Льдогенератор следует регулярно чистить. Это поможет Вам избежать усыхания давно приготовленных кубиков льда, появления у них несвежего вкуса или их слипания.

1. Извлечь льдогенератор. Рисунок **15**
2. Извлечь емкость для хранения кубиков льда и освободите ее от содержимого.
3. Снять крышку со льдогенератора.
4. Помыть все элементы льдогенератора в теплой воде.
5. Высушить полностью все элементы.
6. Собрать льдогенератор и вставить на место.

Фотокамера

Линзы фотокамер покрыты водоотталкивающей пленкой.

Для очистки используйте микрофибровую салфетку.

В случае повреждения замените пленку.

Освещение (на светодиодах)

Ваш холодильник оснащен системой освещения на светодиодах, которая не нуждается в техобслуживании.

Ремонт освещения данного типа должен проводиться лишь силами специалистов уполномоченного сервисного центра или квалифицированными специалистами, имеющими на это разрешение.

Как сэкономить электроэнергию

- Бытовой прибор следует установить в сухом, хорошо проветриваемом помещении! Он не должен стоять на солнце или поблизости от источника тепла (например, радиатора отопления, электроплиты).
При необходимости воспользуйтесь плитой из изолирующего материала.
- Теплые продукты и напитки перед размещением в приборе следует охладить.
- Замороженные продукты поместите для размораживания в холодильное отделение, чтобы использовать холод замороженных продуктов для охлаждения продуктов.
- Закрывайте двери прибора как можно быстрее.
- Чтобы обеспечить минимальный расход энергии: соблюдайте небольшое расстояние сбоку от стены.
- Порядок размещения элементов оснащения не влияет на потребление электроэнергии прибором.

Рабочие шумы

Обычные шумы

Указание

При включенном суперзамораживании шум во время работы может усиливаться.

Гудение

Работают двигатели (напр., холодильные агрегаты, вентилятор).

Бульканье или жужжание

Хладагент течет по трубам.

Щелчки

Включаются или выключаются двигатель, выключатель или магнитные клапаны.

Щелчок по фотокамерам

Окончание режима ожидания и калибровка фотокамер. Передача данных не происходит.

Потрескивание

Происходит автоматическое размораживание.

Как избежать посторонних шумов

Холодильник стоит неровно

Выровняйте, пожалуйста, холодильник с помощью ватерпаса. Отрегулируйте по высоте винтовые ножки холодильника или подложите что-нибудь под него.

Холодильник «зжат»

Отодвиньте, пожалуйста, холодильник от стоящей рядом мебели или других бытовых приборов.

Шатающиеся или заклинившие боксы или полки

Проверьте, пожалуйста, как установлены съемные детали и, при необходимости, расположите их правильно.

Бутылки или прочие емкости прикасаются друг к другу

Немного отодвиньте, пожалуйста, бутылки или емкости друг от друга.

Самостоятельное устранение мелких неисправностей

Прежде чем вызвать Службу сервиса:

проверьте, не сможете ли Вы устранить неполадки самостоятельно с помощью приведенных ниже рекомендаций.

Вам придется оплачивать вызов специалистов Службы сервиса для консультации самостоятельно – даже во время гарантийного периода!

Неисправность	Возможная причина	Устранение
Фактическое значение температуры сильно отличается от установленного.		В некоторых случаях достаточно выключить холодильник на 5 минут. Если температура слишком высокая, то проверьте через несколько часов, не приблизилось ли фактическое значение температуры к заданному. Если температура слишком низкая, то проверьте ее на следующий день еще раз.
В холодильном отделении или в отделении с пониженной температурой слишком холодно.		Установите более высокое значение температуры в холодильном отделении.
		Передвиньте вниз регулятор температуры для отделения с пониженной температурой. Рисунок 7
В морозильном отделении слишком высокая температура.	Слишком часто открывались дверцы бытового прибора.	Не открывайте бытовой прибор без надобности.
	Закрываются вентиляционные отверстия.	Уберите мешающие предметы.
	Замораживание слишком большого количества свежих продуктов питания.	Загружайте морозильное отделение с учетом макс. производительности замораживания.
Прибор не охлаждает, индикатор температуры и освещение светятся.	Включен демонстрационный режим.	Держите нажатой кнопку °C и кнопку настройки + в течение 5 секунд, пока не зазвучит подтверждающий сигнал. Проверьте через некоторое время, охлаждает ли ваш прибор.

Неисправность	Возможная причина	Устранение
Боковые стенки прибора нагреваются.	В боковых стенках проходят трубки, которые нагреваются в процессе охлаждения.	Это нормальный режим работы прибора, и неисправностью не является. Повреждение предметов мебели, соприкасающихся с прибором, под действием тепла не происходит.
Освещение не функционирует.	Система освещения на светодиодах вышла из строя.	Смотрите раздел «Освещение (на светодиодах)».
	Бытовой прибор оставался слишком долгое время открытым. Освещение отключится спустя ок. 10 минут.	После открытия и закрытия дверцы прибора освещение включается снова.
Не горит ни один из индикаторов.	Отключили электроэнергию; сработал предохранитель; вилка «болтается» в розетке.	Подключите штепсельную вилку к сети. Посмотрите, есть ли напряжение в электросети, проверьте предохранители.
Дверца морозильного отделения была слишком долго открытой; установленная температура больше не достигается.	Испаритель (производитель холода) в системе «NoFrost» слишком сильно обледенел, из-за чего он больше не может оттаивать полностью автоматически.	На время размораживания испарителя необходимо извлечь замороженные продукты вместе с ящиками и положить их на хранение в прохладное место, позаботившись об их хорошей теплоизоляции. Выключите холодильник и отодвиньте его от стены. Оставьте дверцу прибора открытой. Примерно через 20 минут талая вода начнет стекать в поддон для испарения, расположенный на задней стенке холодильника. Во избежание переливания талой воды через край поддона испарителя следует несколько раз собрать излишки воды с помощью губки. Когда вода перестает стекать в поддон, испаритель оттаял. Проведите чистку бытового прибора изнутри. Введите холодильник в эксплуатацию.
Фотокамеры не делают снимки.	Фотокамеры в Home Connect не активированы.	Активировать фотокамеры.

Неисправность	Возможная причина	Устранение
Нечеткие фотографии.	Дверца была слишком быстро закрыта.	Закрывайте дверцу медленнее.
	Пленка, предохраняющая стекло от запотевания, повреждена.	Замените пленку, предохраняющую стекло от запотевания.
Линзы фотокамер запотели.	Пленка, предохраняющая стекло от запотевания, повреждена.	Замените пленку, предохраняющую стекло от запотевания.

Самопроверка прибора

Ваш прибор оснащен программой автоматической самопроверки. Эта проверка покажет Вам источники неисправностей, которые могут быть устранены лишь специалистами Вашего уполномоченного сервисного центра.

Запуск программы самопроверки

1. Выключите прибор и выждите 5 минут.
2. Включите прибор и в первые 10 секунд после включения нажмите и удерживайте нажатыми кнопку °C и кнопку настройки «-» в течение 3-5 секунд, пока не раздастся звуковой сигнал.

Программа самопроверки запускается.

Если по завершении самопроверки раздастся двойной звуковой сигнал, Ваш прибор работает исправно.

5-кратный звуковой сигнал свидетельствует о неисправности. Обратитесь за помощью в сервисную службу.

Окончание самопроверки

После окончания программы прибор переключается в обычный режим работы.

Сервисная служба

Ближайшую сервисную службу Вы найдете в телефонном справочнике или в списке сервисных служб. При обращении в сервисную службу укажите номер изделия (E-Nr.) и заводской номер (FD-Nr.) прибора.

Эти данные Вы найдете на типовой табличке. Рисунок **16**

Помогите, пожалуйста, избежать ненужных выездов специалистов, правильно указав заводской номер и номер изделия. Тем самым Вы сэкономите связанные с этим дополнительные расходы.

Заявка на ремонт и консультация при неполадках

Контактные данные всех стран Вы найдёте в приложенном списке сервисных центров.

Υποδείξεις ασφαλείας και προειδοποιητικές υποδείξεις

Προτού θέσετε τη συσκευή σε λειτουργία

Διαβάστε με προσοχή τις οδηγίες χρήσης και τοποθέτησης! Αυτές περιέχουν σημαντικές πληροφορίες για την εγκατάσταση, τη χρήση και τη συντήρηση της συσκευής.

Ο κατασκευαστής δεν αναλαμβάνει καμία ευθύνη για τυχόν βλάβες, αν δεν προσεχθούν οι υποδείξεις και προειδοποιήσεις που δίνονται στις οδηγίες χρήσης. Φυλάξτε όλα τα έγγραφα αυτά για μετέπειτα χρήση και κάποιον τυχόν μετέπειτα χρήστη.

Τεχνική ασφάλεια

Στους σωλήνες του κυκλώματος ψύξης ρέει σε μικρή ποσότητα το φιλικό προς το περιβάλλον αλλά εύφλεκτο ψυκτικό μέσο (R600a). Αυτό δεν είναι επιβλαβές για το στρώμα του όζοντος και δεν ενισχύει το φαινόμενο του θερμοκηπίου. Εάν εξέλθει ψυκτικό μέσο, μπορεί να τραυματίσει τα μάτια ή να αναφλεγεί.

Σε περίπτωση ζημιάς:

- αποφεύγετε την ανοιχτή φλόγα ή πηγές ανάφλεξης,
- αερίζετε για μερικά λεπτά καλά τον χώρο,
- θέτετε τη συσκευή εκτός λειτουργίας και τραβάτε το φιν από την πρίζα,
- Καλέστε την Υπηρεσία τεχνικής εξυπηρέτησης των πελατών μας.

Όσο περισσότερο ψυκτικό μέσο περιέχει μία συσκευή, τόσο μεγαλύτερος πρέπει να είναι ο χώρος, μέσα στον οποίο βρίσκεται αυτή. Σε πολύ μικρούς χώρους είναι δυνατό σε περίπτωση διαρροής ψυκτικού μέσου να σχηματιστεί εύφλεκτο μίγμα αερίου-αέρα. Ανά 8 g του ψυκτικού μέσου πρέπει να υπολογιστεί τουλάχιστον 1 m³ χώρου τοποθέτησης. Την ποσότητα του ψυκτικού μέσου της συσκευής σας θα την βρείτε στην πινακίδα τύπου στο εσωτερικό της συσκευής σας.

Αν πάθει ζημιά το τροφοδοτικό καλώδιο της παρούσας συσκευής, αυτό πρέπει να αντικατασταθεί από τον κατασκευαστή, την υπηρεσία τεχνικής εξυπηρέτησης πελατών ή από παρόμοια καταρτισμένο άτομο.

Οι εγκαταστάσεις και επισκευές που δεν έγιναν σωστά, μπορούν να αποτελέσουν σημαντικό κίνδυνο για τον χρήστη.

Οι επισκευές επιτρέπεται να εκτελούνται μόνον από τον κατασκευαστή, την υπηρεσία τεχνικής εξυπηρέτησης πελατών ή παρόμοια καταρτισμένο άτομο.

Επιτρέπεται να χρησιμοποιούνται μόνον γνήσια εξαρτήματα του κατασκευαστή. Μόνο για αυτά τα εξαρτήματα ο κατασκευαστής εγγυάται, ότι αυτά πληρούν τις απαιτήσεις ασφαλείας.

Μη χρησιμοποιείτε πολύμπριζα, καλώδια επέκτασης (παλαντέζες) ή προσαρμογείς.

Κατά τη χρήση

- Μη χρησιμοποιήσετε ποτέ ηλεκτρικές συσκευές εντός της συσκευής (π.χ. θερμάστρες, ηλεκτρικές παγομηχανές κτλ.). Κίνδυνος έκρηξης!
- Ποτέ μην κάνετε απόψυξη ούτε να καθαρίζετε τη συσκευή με ατμοκαθαριστές! Ο ατμός μπορεί να διεισδύσει σε ηλεκτρικά μέρη και να προκαλέσει βραχυκύκλωμα. Κίνδυνος ηλεκτροπληξίας!
- Μη χρησιμοποιείτε μυτερά ή αιχμηρά αντικείμενα για την αφαίρεση πάχνης και στρωμάτων πάγου. Θα μπορούσατε να προκαλέσετε μ' αυτά ζημιές στις σωληνώσεις του ψυκτικού ρευστού. Το διαρρέον ψυκτικό μέσο μπορεί να αυταναφλεχτεί ή να οδηγήσει σε τραύματα των ματιών σας.
- Μην αποθηκεύετε μέσα στη συσκευή προϊόντα με εύφλεκτα προωθητικά αέρια (π.χ. σπρέι) και εκρηκτικές ύλες. Κίνδυνος έκρηξης!

- Μη χρησιμοποιείτε καταχράζεστε τις βάσεις, τις συρταρωτές προεκτάσεις, τις πόρτες κτλ. ως σκαλοπάτια ή στηρίγματα.
- Για την απόψυξη και τον καθαρισμό βγάλτε το φινι από την πρίζα ή απενεργοποιήστε την ασφάλεια. Τραβήξτε από το φινι και όχι από το τροφοδοτικό καλώδιο.
- Οινοπνευματώδη ποτά με μεγάλο ποσοστό περιεκτικότητας σε αλκοόλη πρέπει να αποθηκεύονται μόνον καλά κλεισμένα και σε όρθια θέση.
- Μην λερώνετε τα πλαστικά μέρη και την τσιμούχα της πόρτας με λάδι και λίπος, διότι διαφορετικά αυτά γίνονται πορώδη.
- Μην καλύπτετε και μην τοποθετείτε αντικείμενα στα ανοίγματα αερισμού και εξαερισμού της συσκευής.
- Μην αποθηκεύετε στον χώρο κατάψυξης υγρά σε φιάλες και κουτιά (ιδιαίτερα ποτά περιέχοντα ανθρακικό οξύ). Οι φιάλες και τα κουτιά μπορούν να σπάσουν!

■ **Αποφυγή κινδύνων για παιδιά και άτομα που βρίσκονται σε κίνδυνο:**

Σε κίνδυνο βρίσκονται τα παιδιά και άτομα με περιορισμένες σωματικές και φυσικές ικανότητες ή με περιορισμένη αντίληψη καθώς και άτομα, τα οποία δεν έχουν επαρκείς γνώσεις για τον ασφαλή χειρισμό της συσκευής.

Διασφαλίστε, ότι τα παιδιά και τα άτομα που βρίσκονται σε κίνδυνο έχουν κατανοήσει τους κινδύνους.

Κάποιο άτομο υπεύθυνο για την ασφάλεια πρέπει να επιβλέπει ή να καθοδηγεί στη συσκευή τα παιδιά και τα άτομα που βρίσκονται σε κίνδυνο.

Μόνο παιδιά άνω των 8 ετών επιτρέπεται να χρησιμοποιούν τη συσκευή.

Κατά τον καθαρισμό και τη συντήρηση τα παιδιά πρέπει να επιβλέπονται.

Μην αφήνετε ποτέ να παίζουν τα παιδιά με τη συσκευή.

- Μη βάζετε ποτέ στο στόμα σας κατεψυγμένα τρόφιμα αμέσως μετά την αφαίρεσή τους από την κατάψυξη. Κίνδυνος κρουοπαγημάτων!
- Αποφεύγετε να κρατάτε για μεγάλο διάστημα στα χέρια σας κατεψυγμένα τρόφιμα, πάγο ή τους σωλήνες του εξατμιστή κτλ. Κίνδυνος κρουοπαγημάτων!

Παιδιά στο νοικοκυριό

- Μην αφήσετε να περιέλθουν στα χέρια παιδιών η συσκευασία και τα μέρη της. Υπάρχει κίνδυνος ασφυξίας από τα χαρτόνια που διπλώνουν και τα λεπτά πλαστικά φύλλα!
- Η συσκευή δεν είναι παιχνίδι για παιδιά!
- Σε συσκευή με κλειδαριά πόρτας: Φυλάτε το κλειδί σε μέρος απρόσιτο για τα παιδιά!

Γενικές διατάξεις

Η συσκευή είναι κατάλληλη

- για την ψύξη και την κατάψυξη τροφίμων,
- για την παρασκευή παγοκύβων (παγάκια).

Η παρούσα συσκευή προορίζεται για οικιακή χρήση στον ιδιωτικό τομέα και σε σπιτικό περιβάλλον.

Η συσκευή φέρει αντιπαρασιτική διατάξη σύμφωνα με την Οδηγία ΕΕ 2004/108/ΕΚ.

Ο ψυκτικός κύκλος έχει υποβληθεί σε έλεγχο στεγανότητας.

Το προϊόν αυτό ανταποκρίνεται στις σχετικές διατάξεις ασφαλείας για ηλεκτρικές συσκευές (EN 60335-2-24).

Αυτή η συσκευή προορίζεται για χρήση μέχρι ένα μέγιστο ύψος 2.000 μέτρων πάνω από την επιφάνεια της θάλασσας.

Υποδείξεις απόσυρσης

Απόσυρση της συσκευασίας

Η συσκευασία προστατεύει τη συσκευή σας από ζημιές κατά τη μεταφορά. Όλα τα χρησιμοποιούμενα υλικά συσκευασίας είναι αβλαβή για το περιβάλλον και μπορούν να ξαναχρησιμοποιηθούν. Παρακαλούμε να συντελέσετε κι εσείς στην προστασία του περιβάλλοντος και ν' αποσύρετε τη συσκευασία με τρόπο αβλαβή για το περιβάλλον.

Για τους επίκαιρους τρόπους απόσυρσης παρακαλείσθε να ζητήσετε πληροφορίες από το ειδικό κατάστημα, από το οποίο αγοράσατε τη συσκευή ή από τη Δημοτική ή Κοινοτική Αρχή της περιοχής σας.

Απόσυρση της παλιάς συσκευής

Οι παλιές συσκευές δεν αποτελούν άχρηστα απορρίμματα! Με την απόσυρσή τους σύμφωνα με τους κανονισμούς για την προστασία του περιβάλλοντος μπορούν να επαναποκτηθούν πολύτιμες πρώτες ύλες.



Αυτή η συσκευή χαρακτηρίζεται σύμφωνα με την ευρωπαϊκή οδηγία 2012/19/ΕΕ περί ηλεκτρικών και ηλεκτρονικών συσκευών (waste electrical and electronic equipment - WEEE).

Η οδηγία προκαθορίζει τα πλαίσια για μια απόσυρση και αξιοποίηση των παλιών συσκευών με ισχύ σ' όλη την ΕΕ.

Προειδοποίηση

Σε παλιές συσκευές που δεν χρησιμοποιούνται πλέον

1. Τραβάτε το φις από την πρίζα.
2. Κόψτε το καλώδιο σύνδεσης στο δίκτυο του ρεύματος και απομακρύνετέ το μαζί με το φις.
3. Μη βγάλετε τα ράφια και τα δοχεία, ώστε να μην μπορούν να μπουν εύκολα μέσα στη συσκευή τα παιδιά!
4. Μην αφήνετε τα παιδιά να παίζουν με την άχρηστη παλιά συσκευή. Κίνδυνος ασφυξίας!

Οι ψυκτικές συσκευές περιέχουν ψυκτικά μέσα και στη μόνωση αέρια. Τα ψυκτικά μέσα και τα αέρια απαιτούν απόσυρση από τον ειδικό. Προσέξτε να μην καταστραφούν οι σωληνώσεις της κυκλοφορίας του ψυκτικού μέσου, μέχρι να παραληφθεί αυτή για την ανάλογη, αβλαβή για το περιβάλλον απόσυρση.

Συνοδεύουν τη συσκευή

Μετά το ξεπακετάρισμα ελέγξτε όλα τα μέρη για ενδεχόμενες ζημιές μεταφοράς.

Σε περίπτωση παραπόνων απευθυνθείτε στο κατάστημα, από το οποίο αγοράσατε τη συσκευή ή στην υπηρεσία τεχνικής εξυπηρέτησης των πελατών μας.

Η παράδοση αποτελείται από τα εξής μέρη:

- Ανεξάρτητη συσκευή
- Εξοπλισμός (ανάλογα με το μοντέλο)
- Σακούλα με υλικά τοποθέτησης
- Οδηγίες χρήσης
- Οδηγίες τοποθέτησης
- Φυλλάδιο με τις υπηρεσίες τεχνικής εξυπηρέτησης πελατών
- Επισυναπτόμενο φύλλο εγγύησης
- Πληροφορίες σχετικά με την κατανάλωση ενέργειας και τους θορύβους

Τόπος τοποθέτησης

Ως τόπος τοποθέτησης είναι κατάλληλος κάθε στεγνός, αεριζόμενος χώρος. Ο χώρος τοποθέτησης δεν πρέπει να είναι άμεσα εκτεθειμένος στην ηλιακή ακτινοβολία ούτε να βρίσκεται κοντά σε πηγή θερμότητας όπως κουζίνα, καλοριφέρ κτλ. Αν η τοποθέτηση δίπλα σε πηγή θερμότητας είναι αναπόφευκτη, χρησιμοποιήστε κατάλληλη μονωτική πλάκα ή τηρήστε τις ακόλουθες ελάχιστες αποστάσεις από την πηγή θερμότητας:

- Από ηλεκτρικές κουζίνες και κουζίνες αερίου 3 cm.

- Από κουζίνες πετρελαίου ή κάρβουνου 30 cm.

Το δάπεδο στον τόπο τοποθέτησης δεν επιτρέπεται να υποχωρεί, ενισχύστε ενδεχομένως το δάπεδο. Αντισταθμίστε ενδεχόμενες ανωμαλίες του δαπέδου τοποθετώντας κάτω από τη συσκευή κατάλληλο υπόθεμα.

Απόσταση από τον τοίχο

Τοποθετήστε τη συσκευή έτσι, ώστε να εξασφαλίζεται μια γωνία ανοίγματος της πόρτας 90°.

Ευθυγράμμιση της συσκευής

Τοποθετήστε τη συσκευή στον προβλεπόμενο χώρο και ευθυγραμμίστε την. Η συσκευή πρέπει να στέκεται σταθερά και επίπεδα. Αντισταθμίστε τις ανωμαλίες του δαπέδου με τα δύο εμπρόσθια βιδωτά πόδια. Για τη ρύθμιση των βιδωτών ποδιών χρησιμοποιήστε ένα καταβιδί.

Υπόδειξη

Η συσκευή πρέπει να στέκεται κάθετα. Ευθυγραμμίστε τη συσκευή με τη βοήθεια ενός αλφαδιού.

Προσέχετε τη θερμοκρασία και τον αερισμό του χώρου

Θερμοκρασία δωματίου

Η συσκευή είναι κατασκευασμένη για συγκεκριμένη κατηγορία κλίματος. Ανάλογα με την κατηγορία κλίματος η συσκευή μπορεί να λειτουργήσει στις ακόλουθες θερμοκρασίες δωματίου.

Η κατηγορία κλίματος υπάρχει στην πινακίδα τύπου της συσκευής. Εικόνα **16**

Κατηγορία κλίματος	Επιτρεπτή θερμοκρασία χώρου
SN	+10 °C έως 32 °C
N	+16 °C έως 32 °C
ST	+16 °C έως 38 °C
T	+16 °C έως 43 °C

Υπόδειξη

Η συσκευή λειτουργεί σωστά εντός των ορίων θερμοκρασίας περιβάλλοντος της αναφερόμενης κλιματικής κλάσης. Αν κάποια συσκευή της κλιματικής κλάσης SN λειτουργεί σε χαμηλότερες θερμοκρασίες περιβάλλοντος, δεν μπορούν να αποκλειστούν ζημιές στη συσκευή μέχρι τη θερμοκρασία των +5 °C.

Αερισμός

Εικόνα 2

Ο αέρας στο οπίσθιο και τα πλαϊνά τοιχώματα της συσκευής ζεσταίνεται. Ο ζεσταμένος αέρας πρέπει να μπορεί να διαφεύγει ελεύθερα. Διαφορετικά το ψυκτικό μηχανήμα πρέπει να λειτουργήσει με μεγαλύτερη ισχύ, πράγμα το οποίο αυξάνει την κατανάλωση του ρεύματος. Γι' αυτό: Μην καλύπτετε ποτέ ούτε να τοποθετείτε αντικείμενα μπροστά από τ' ανοίγματα αερισμού και εξαερισμού!

Σύνδεση της συσκευής

Μετά την τοποθέτηση της συσκευής περιμένετε τουλάχιστον 1 ώρα, μέχρι να θέσετε τη συσκευή σε λειτουργία. Κατά τη μεταφορά μπορεί να συμβεί να μεταβεί το λάδι, που περιέχεται στον συμπυκνωτή, στο ψυκτικό σύστημα.

Πριν τη θέση για πρώτη φορά σε λειτουργία καθαρίστε τον εσωτερικό χώρο της συσκευής (βλ. Καθαρισμός της συσκευής).

Ηλεκτρική σύνδεση

Η πρίζα πρέπει να βρίσκεται κοντά στη συσκευή και να είναι προσιτή επίσης μετά την εγκατάσταση της συσκευής.

Προειδοποίηση

Κίνδυνος ηλεκτροπληξίας!

Σε περίπτωση που το μήκος του καλωδίου σύνδεσης δεν επαρκεί, μη χρησιμοποιήσετε σε καμία περίπτωση πολύμπριζα ή καλώδια επέκτασης (παλαντζές). Σε αυτή την περίπτωση ελάτε σε επαφή με την υπηρεσία εξυπηρέτησης πελατών για εναλλακτικές λύσεις.

Η συσκευή αντιστοιχεί στην κατηγορία προστασίας I. Συνδέστε τη συσκευή σε εναλλασσόμενο ρεύμα 220–240 V/ 50 Hz μέσω μιας γειωμένης πρίζας, εγκατεστημένης σύμφωνα με τις προδιαγραφές. Η πρίζα πρέπει να είναι ασφαλισμένη με ασφάλεια 10 έως 16 A.

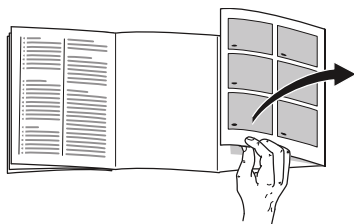
Σε συσκευές, οι οποίες λειτουργούν σε μη ευρωπαϊκές χώρες, ελέγξτε, εάν η τάση και το είδος ρεύματος που αναφέρονται, ταυτίζονται με τις τιμές του δικτύου σας. Αυτά τα στοιχεία θα τα βρείτε στην πινακίδα τύπου, εικόνα 16.

Προειδοποίηση

Η συσκευή δεν επιτρέπεται σε καμία περίπτωση να συνδεθεί σε ηλεκτρονικές πρίζες εξοικονόμησης ενέργειας.

Για τη χρήση των συσκευών μας μπορούν να χρησιμοποιηθούν μετατροπείς δικτύου και μετατροπείς ημιτόνου. Μετατροπείς δικτύου χρησιμοποιούνται στις φωτοβολταϊκές εγκαταστάσεις, οι οποίες συνδέονται απευθείας στο δημόσιο ηλεκτρικό δίκτυο. Σε μεμονωμένες εφαρμογές (π.χ. σε πλοία ή ορεινά καταφύγια και κατοικίες), οι οποίες δεν έχουν σύνδεση με το δημόσιο δίκτυο του ρεύματος πρέπει να χρησιμοποιούνται μετατροπείς ημιτόνου.

Γνωρίστε τη συσκευή



Παρακαλούμε, ανοίξτε την τελευταία σελίδα με τις απεικονίσεις. Αυτές οι οδηγίες χρήσης ισχύουν για περισσότερα μοντέλα.

Ο εξοπλισμός των μοντέλων μπορεί να ποικίλλει.

Οι απεικονίσεις είναι δυνατόν να διαφέρουν.

Εικόνα 1

* όχι σε όλα τα μοντέλα

- A Χώρος συντήρησης
- B Χώρος κατάψυξης

- 1–15 Στοιχεία χειρισμού
- 16* Διαχώρισμα για βούτυρο και τυρί
- 17 Κάμερα
- 18 Ράφι για μικρές φιάλες
- 19 Ράφι για μεγάλες φιάλες
- 20 Φωτισμός (LED)
- 21* Ράφι φιαλών
- 22* Σετ πρωινού
- 23 Χώρος ψυχρής αποθήκευσης
- 24 Δοχείο λαχανικών με ρυθμιστή υγρασίας
- 25* Παρασκευαστής πάγου/Δοχείο παγοκύβων
- 26* Δοχείο κατεψυγμένων τροφίμων

Στοιχεία χειρισμού

Εικόνα 4

- 1 **Λυχνία ένδειξης χώρου κατάψυξης**
Οι αριθμοί στη φωτεινή ράβδο αντιστοιχούν σε θερμοκρασίες του χώρου κατάψυξης σε °C.
- 2 **Ένδειξη – ALARM –**
Τονίζεται, όταν στο χώρο κατάψυξης επικρατεί πολύ υψηλή θερμοκρασία.
- 3 **Ένδειξη superfreeze**
Τονίζεται, όταν η υπερκατάψυξη βρίσκεται σε λειτουργία.
- 4 **Ένδειξη freshness mode**
Τονίζεται, όταν η λειτουργία φρεσκάδας είναι ενεργοποιημένη.
- 5 **Ένδειξη "eco mode" (λειτουργία eco)**
Τονίζεται, όταν η λειτουργία eco είναι ενεργοποιημένη.
- 6 **Ένδειξη – ALARM –**
Τονίζεται, όταν στο χώρο ψύξης επικρατεί πολύ υψηλή θερμοκρασία.
- 7 **Ένδειξη θερμοκρασίας χώρου συντήρησης**
Οι αριθμοί αντιστοιχούν στις ρυθμισμένες θερμοκρασίες του χώρου συντήρησης σε °C.
- 8 **Ένδειξη supercool**
Τονίζεται, όταν η υπερψύξη βρίσκεται σε λειτουργία.
- 9 **Ένδειξη vacation mode**
Τονίζεται, όταν η λειτουργία διακοπών είναι ενεργοποιημένη.
- 10 **Λειτουργία κλειδώματος πλήκτρου "lock"**
Όταν έχει ενεργοποιηθεί αυτή η λειτουργία, δεν είναι πλέον δυνατές ρυθμίσεις μέσω των στοιχείων χειρισμού.

- 11 **Πλήκτρο lock/alarm off**
Το πλήκτρο χρησιμοποιείται για:
- Την απενεργοποίηση του προειδοποιητικού ηχητικού σήματος (βλέπε στο κεφάλαιο "Λειτουργία συναγερμού")
 - Την ενεργοποίηση και απενεργοποίηση του κλειδώματος πλήκτρων.
- 12 **Πλήκτρα ρύθμισης +/-**
Τα πλήκτρα χρησιμοποιούνται για τη ρύθμιση των θερμοκρασιών του χώρου συντήρησης και του χώρου κατάψυξης.
- 13 **Πλήκτρο °C για την επιλογή χώρου**
Χρησιμοποιείται για την επιλογή ενός χώρου. Αυτό είναι απαραίτητο, για την αλλαγή αυτής της θερμοκρασίας ή για την ενεργοποίηση ορισμένων ειδικών λειτουργιών.
- 14 **Πλήκτρο Super**
Χρησιμοποιείται για την ενεργοποίηση των λειτουργιών supercool (χώρος ψύξης) καθώς και superfreeze (χώρος κατάψυξης).
- 15 **Πλήκτρο mode**
Για την επιλογή των ειδικών λειτουργιών.

Ενεργοποίηση της συσκευής

1. Βάλτε πρώτα το φις στη σύνδεση στην πίσω πλευρά της συσκευής. Ελέγξτε, αν το φις είναι τοποθετημένο πλήρως μέσα στην πρίζα.
2. Βάλτε το άλλο άκρο του καλωδίου στην πρίζα.

Η συσκευή είναι τώρα ενεργοποιημένη και ηχεί ένα προειδοποιητικό σήμα.

Πατήστε το πλήκτρο lock/alarm off, για να απενεργοποιήσετε το προειδοποιητικό ηχητικό σήμα.

Η ένδειξη – ALARM – σβήνει, μόλις η συσκευή φθάσει στη ρυθμισμένη θερμοκρασία.

Οι προρυθμισμένες θερμοκρασίες επιτυγχάνονται μετά από περισσότερες ώρες. Μην τοποθετήσετε νωρίτερα τρόφιμα μέσα στη συσκευή.

Από το εργοστάσιο συνιστώνται οι ακόλουθες θερμοκρασίες:

- Χώρος κατάψυξης: -18 °C
- Χώρος συντήρησης: +4 °C

Υποδείξεις σχετικά με τη λειτουργία

- Μετά την ενεργοποίηση μπορεί να χρειαστούν αρκετές ώρες, μέχρι να επιτευχθούν οι ρυθμισμένες θερμοκρασίες.
- Χάρη στο υπεραυτόματο σύστημα NoFrost ο χώρος κατάψυξης παραμένει χωρίς πάγο. Μια απόψυξη δεν είναι πλέον απαραίτητη.
- Σε περίπτωση που η πόρτα δεν ξανανοιίγει αμέσως μετά το κλείσιμο, περιμένετε μια στιγμή, μέχρι να αντισταθμιστεί η υποπίεση που προέκυψε.
- Οι μετωπικές πλευρές και τα πλευρικά τοιχώματα του περιβλήματος θερμαίνονται εν μέρει ελαφρά. Αυτό εμποδίζει το σχηματισμό νερού συμπύκνωσης.

Ρύθμιση θερμοκρασίας

Εικόνα **4**

Χώρος ψύξης

Η θερμοκρασία μπορεί να ρυθμιστεί από +2 °C έως +8 °C.

1. Επιλέξτε το χώρο ψύξης με το πλήκτρο °C.
2. Πατήστε τα πλήκτρα +/- τόσες φορές, μέχρι να εμφανιστεί η επιθυμητή θερμοκρασία.

Τα ευαίσθητα τρόφιμα δεν πρέπει να αποθηκεύονται σε θερμοκρασία μεγαλύτερη από +4 °C.

Χώρος κατάψυξης

Η θερμοκρασία μπορεί να ρυθμιστεί από -16 °C έως -24 °C.

1. Επιλέξτε το χώρο κατάψυξης με το πλήκτρο °C.
2. Πατήστε τα πλήκτρα +/- τόσες φορές, μέχρι να εμφανιστεί η επιθυμητή θερμοκρασία.

Ειδικές λειτουργίες

Εικόνα **4**

Λειτουργία φρεσκάδα

Με τη λειτουργία φρεσκάδα διατηρούνται τα τρόφιμα ακόμα περισσότερο.

Θέση σε λειτουργία:

Πατήστε το πλήκτρο mode τόσες φορές, ώσπου να εμφανιστεί η ένδειξη freshness mode.

Η συσκευή ρυθμίζει αυτόματα τις ακόλουθες θερμοκρασίες:

- Χώρος ψύξης: + 2 °C
- Χώρος κατάψυξης: παραμένει αμετάβλητος

Θέση εκτός λειτουργίας:

Πατήστε το πλήκτρο mode τόσες φορές, ώσπου να σβήσει η ένδειξη freshness mode.

Λειτουργία eco

Με τη λειτουργία eco περνάτε τη συσκευή στη λειτουργία εξοικονόμησης ενέργειας.

Θέση σε λειτουργία:

Πατήστε το πλήκτρο mode τόσες φορές, ώπου να εμφανιστεί η ένδειξη "eco mode" (λειτουργία eco).

Η συσκευή ρυθμίζει αυτόματα τις ακόλουθες θερμοκρασίες:

- Χώρος ψύξης: +8 °C
- Χώρος κατάψυξης: -16 °C

Θέση εκτός λειτουργίας:

Πατήστε το πλήκτρο mode τόσες φορές, ώπου να σβήσει η ένδειξη "eco mode" (λειτουργία eco).

Τρόπος λειτουργίας διακοπών

Σε περίπτωση μακρότερης απουσίας μπορείτε να ρυθμίσετε τη συσκευή στον οικονομικό τρόπο λειτουργίας για τις διακοπές.

Η θερμοκρασία του χώρου συντήρησης αλλάζεται αυτόματα στους +14 °C.

Κατά τη διάρκεια αυτή μην αποθηκεύετε τρόφιμα στον χώρο συντήρησης.

Θέση σε λειτουργία:

Πατήστε το πλήκτρο mode τόσες φορές, ώπου να εμφανιστεί η ένδειξη vacation mode.

Η συσκευή ρυθμίζει αυτόματα τις ακόλουθες θερμοκρασίες:

- Χώρος ψύξης: +14 °C
- Χώρος κατάψυξης: παραμένει αμετάβλητος

Θέση εκτός λειτουργίας:

Πατήστε το πλήκτρο mode τόσες φορές, ώπου να σβήσει η ένδειξη vacation mode.

Λειτουργία κλειδώματος των πλήκτρων Lock (κλειδώμα)

Για την ενεργοποίηση και απενεργοποίηση του κλειδώματος των πλήκτρων, πατήστε το πλήκτρο lock/ alarm off για 5 δευτερόλεπτα.

Σε περίπτωση ενεργοποιημένης λειτουργίας τονίζεται η ένδειξη .

Το πεδίο χειρισμού είναι τώρα προστατευμένο από αθέλητο χειρισμό.

Εξαίρεση του κλειδώματος των πλήκτρων:

Για την απενεργοποίηση του κλειδώματος των πλήκτρων και σε περίπτωση ενός προειδοποιητικού ηχητικού σήματος μπορεί να πατηθεί το πλήκτρο lock/alarm off.

Λειτουργίαςabbath

Κατά την ενεργοποίηση της λειτουργίας sabbath απενεργοποιούνται οι ακόλουθες ρυθμίσεις:

- Ακουστικά σήματα
- Εσωτερικός φωτισμός
- Μηνύματα στο πεδίο ενδείξεων
- Μειώνεται η ένταση του οπισθοφωτισμού του πεδίου ενδείξεων
- Κλειδώνονται πλήκτρα

Ενεργοποίηση και απενεργοποίηση της λειτουργίας **sabbath**:

Πατήστε το πλήκτρο super για 15 δευτερόλεπτα.

Λειτουργία συναγερμού

Στις ακόλουθες περιπτώσεις μπορεί να ενεργοποιηθεί ο συναγερμός.

Συναγερμός πόρτας

Ο συναγερμός πόρτας (συνεχές ηχητικό σήμα) ενεργοποιείται και στην ένδειξη θερμοκρασίας του χώρου ψύξης 7 εμφανίζεται – ALARM –, όταν η συσκευή είναι ανοιχτή για μεγαλύτερο χρονικό διάστημα. Με κλείσιμο της συσκευής απενεργοποιείται ξανά ο συναγερμός.

Συναγερμός θερμοκρασίας

Ένα διακοπόμενο σήμα ηχεί, στην ένδειξη της θερμοκρασίας του χώρου κατάψυξης 1 εμφανίζεται η ένδειξη – ALARM –.

Ο συναγερμός θερμοκρασίας ενεργοποιείται, όταν η θερμοκρασία στο χώρο κατάψυξης είναι πολύ υψηλή και υπάρχει κίνδυνος για τα κατεψυγμένα τρόφιμα.

Χωρίς κίνδυνο για τα κατεψυγμένα τρόφιμα ο συναγερμός μπορεί να ενεργοποιηθεί:

- Κατά την αρχική θέση της συσκευής σε λειτουργία.
- Κατά την τοποθέτηση μεγάλων ποσοτήτων νωπών τροφίμων.

Υπόδειξη

Μην ξανακαταψύξετε τα μισοξεπαγωμένα ή τελείως ξεπαγωμένα κατεψυγμένα τρόφιμα. Μόνον αφού τα μαγειρέψετε, μπορείτε να καταψύξετε εκ νέου το έτοιμο φαγητό.

Μην εξαντλήσετε πλέον τη μέγιστη διάρκεια αποθήκευσης.

Η ένδειξη θερμοκρασίας δείχνει για 5 δευτερόλεπτα την υψηλότερη θερμοκρασία, η οποία επικράτησε στον χώρο κατάψυξης. Κατόπιν δείχνεται ξανά η ρυθμισμένη θερμοκρασία.

Απενεργοποίηση του συναγερμού

Πατήστε το πλήκτρο lock/alarm off για να απενεργοποιήσετε το προειδοποιητικό ηχητικό σήμα.

Home Connect

Αυτή η συσκευή έχει δυνατότητα Wi-Fi και είναι τηλεχειριζόμενη μέσω μιας κινητής τερματικής συσκευής.

Υπόδειξη

Το Wi-Fi είναι μία καταχωρισμένη μάρκα της Wi-Fi Alliance.

Η συσκευή λειτουργεί στις ακόλουθες περιπτώσεις, όπως μία συσκευή ψύξης χωρίς σύνδεση σε δίκτυο και ο χειρισμός μπορεί να εξακολουθήσει να γίνεται χειροκίνητα μέσω των στοιχείων χειρισμού:

- Η συσκευή δεν είναι συνδεδεμένη με ένα οικιακό δίκτυο.
- Στη χώρα τοποθέτησης της συσκευής δεν προσφέρεται καμία υπηρεσία Home Connect. Μια επισκόπηση των χωρών, στις οποίες προσφέρεται η υπηρεσία Home Connect, μπορείτε να βρείτε στη διεύθυνση www.home-connect.com.

Υποδείξεις

- Τηρείτε τις υποδείξεις ασφαλείας σε αυτές τις οδηγίες χρήσης και βεβαιωθείτε, ότι αυτές τηρούνται ακόμη και όταν χειρίζεστε τη συσκευή μέσω της εφαρμογής (App) Home Connect, ενώ δεν είστε στο σπίτι.

Προσέξτε επίσης τις υποδείξεις στην εφαρμογή (App) Home Connect.

- Ο χειρισμός στη συσκευή έχει πάντοτε προτεραιότητα. Σε αυτόν τον χρόνο ο χειρισμός μέσω της εφαρμογής (App) Home Connect δεν είναι δυνατός.

Προετοιμασία Home Connect

Υποδείξεις

- Προσέξτε το ένθετο Home Connect, το οποίο είναι διαθέσιμο για κατέβασμα κάτω από <http://www.bosch-home.com> στις οδηγίες. Γι' αυτό εισάγετε στο πεδίο αναζήτησης τον αριθμό της συσκευής σας.
- Αφού ενεργοποιήσετε τη συσκευή, περιμένετε τουλάχιστον δύο λεπτά, μέχρι να ολοκληρωθεί η εσωτερική αρχικοποίηση της συσκευής. Μόνο τότε προβείτε στην προετοιμασία του Home Connect.
- Για τη δυνατότητα πραγματοποίησης των ρυθμίσεων μέσω Home Connect, η εφαρμογή (App) Home Connect πρέπει να είναι εγκατεστημένη στη φορητή τερματική σας συσκευή. Προσέξτε γι' αυτό τη συμπαραδιδόμενη τεκμηρίωση Home Connect. Ακολουθήστε τα προκαθορισμένα από την εφαρμογή (App) βήματα, για την πραγματοποίηση των ρυθμίσεων.
- Εάν δε γίνει χειρισμός στη συσκευή για μεγαλύτερο χρονικό διάστημα, κλείνει αυτόματα το μενού Home Connect. Οδηγίες για το άνοιγμα του μενού Home Connect μπορείτε να βρείτε στην αρχή των αντίστοιχων κεφαλαίων.

Αυτόματη σύνδεση με το οικιακό δίκτυο (WLAN)

Αν ένας δρομολογητής (ρούτερ) WLAN διαθέτει τη λειτουργία WPS, μπορείτε να συνδέσετε το ψυγείο αυτόματα με το οικιακό δίκτυο.

1. Πατήστε ταυτόχρονα το πλήκτρο **super** και το πλήκτρο **lock/ alarm off** για να ανοίξετε το μενού **Home Connect**.

Η ένδειξη δείχνει **Cn**.

Υπόδειξη

Πατήστε τα δύο πλήκτρα την ίδια στιγμή. Ο χειρισμός των πλήκτρων κλειδώνεται, εάν πατηθεί παρατεταμένα μόνο το πλήκτρο **lock/ alarm off**. Πατήστε ξανά το πλήκτρο **lock/ alarm off** παρατεταμένα, μέχρι να ακυρωθεί το κλειδωμα.

2. Πατήστε το πλήκτρο **°C** τόσες φορές μέχρι να εμφανιστούν οι ενδείξεις **AC** και **oF**.
3. Πατήστε το πλήκτρο **+**.

Η συσκευή είναι έτοιμη για την αυτόματη σύνδεση.

Η ένδειξη δείχνει για 2 λεπτά μια κινούμενη εικόνα.

Εκτελέστε σε αυτό το χρονικό διάστημα τα παρακάτω βήματα.

4. Ενεργοποιήστε τη λειτουργία WPS στον δρομολογητή του οικιακού δικτύου (π. χ. με το πλήκτρο **WPS-/ WLAN**, σχετικές πληροφορίες υπάρχουν στις οδηγίες για τον δρομολογητή).

- Σε περίπτωση επιτυχούς σύνδεσης αναβοσβήνει **on** στην ένδειξη του ψυγείου.

Τώρα μπορείτε να συνδέσετε το ψυγείο με την εφαρμογή (App).

- Εάν η ένδειξη δείχνει **oF**, τότε δεν μπόρεσε να αποκατασταθεί καμία σύνδεση.

Ελέγξτε αν το ψυγείο είναι εντός της εμβέλειας του οικιακού δικτύου (WLAN).

Επαναλάβετε τη διαδικασία ή πραγματοποιήστε χειροκίνητη σύνδεση.

Χειροκίνητη σύνδεση με το οικιακό δίκτυο (WLAN)

Αν ο υπάρχων δρομολογητής WLAN δεν έχει λειτουργία WPS ή αυτή δεν είναι γνωστή, μπορείτε να συνδέσετε χειροκίνητα το ψυγείο με το οικιακό δίκτυο.

1. Πατήστε ταυτόχρονα το πλήκτρο **super** και το πλήκτρο **lock/ alarm off** για να ανοίξετε το μενού **Home Connect**.

Η ένδειξη δείχνει **Cn**.

Υπόδειξη

Πατήστε τα δύο πλήκτρα την ίδια στιγμή. Ο χειρισμός των πλήκτρων κλειδώνεται, εάν πατηθεί παρατεταμένα μόνο το πλήκτρο **lock/ alarm off**. Πατήστε ξανά το πλήκτρο **lock/ alarm off** παρατεταμένα, μέχρι να ακυρωθεί το κλειδωμα.

2. Πατήστε το πλήκτρο **°C** τόσες φορές μέχρι να εμφανιστούν οι ενδείξεις **SA** και **oF**.
3. Πατήστε το πλήκτρο **+**.

Η συσκευή είναι έτοιμη για χειροκίνητη σύνδεση.

Η ένδειξη δείχνει για 5 λεπτά μια κινούμενη εικόνα.

Εκτελέστε σε αυτό το χρονικό διάστημα τα παρακάτω βήματα.

4. Το ψυγείο έχει τώρα διαμορφώσει ένα δικό του δίκτυο WLAN με το όνομα δικτύου **HomeConnect**.

Σε αυτό το δίκτυο μπορείτε τώρα να έχετε πρόσβαση με τη φορητή τερματική συσκευή.

5. Ανοίξτε το μενού ρυθμίσεων της φορητής τερματικής συσκευής και καλέστε τις ρυθμίσεις WLAN.

6. Συνδέστε τη φορητή τερματική συσκευή με το δίκτυο WLAN **HomeConnect**.

Κωδικός: **HomeConnect**

Η δημιουργία σύνδεσης μπορεί να διαρκέσει έως και 60 δευτερόλεπτα.

7. Μετά από επιτυχή σύνδεση ανοίξτε την εφαρμογή (App) Home Connect στη φορητή τερματική συσκευή.

Η εφαρμογή (App) αναζητεί το ψυγείο.

8. Μόλις βρεθεί το ψυγείο, καταχωρίστε το όνομα δικτύου (SSID) και τον κωδικό πρόσβασης (Key) του οικιακού σας δικτύου (WLAN) στα αντίστοιχα πεδία.

9. Επιβεβαιώστε με το πλήκτρο οθόνης **Μετάδοση σε οικιακές συσκευές**.

- Σε περίπτωση επιτυχούς σύνδεσης αναβοσβήνει **on** στην ένδειξη του ψυγείου.

Τώρα μπορείτε να συνδέσετε το ψυγείο με την εφαρμογή (App).

- Εάν η ένδειξη δείχνει **oF**, τότε δεν μπόρεσε να αποκατασταθεί καμία σύνδεση.

Καταχωρίστε ξανά τον κωδικό πρόσβασης και προσέξτε την ορθογραφία.

Ελέγξτε αν το ψυγείο είναι εντός της εμβέλειας του οικιακού δικτύου (WLAN).

Επαναλάβετε τη διαδικασία.

Σύνδεση ψυγείου με την εφαρμογή (App) Home Connect

Όταν αποκατασταθεί η σύνδεση μεταξύ ψυγείου και οικιακού δικτύου, μπορείτε να συνδέσετε το ψυγείο με την εφαρμογή (App).

1. Πατήστε ταυτόχρονα το πλήκτρο **super** και το πλήκτρο **lock/alarm off** για να ανοίξετε το μενού Home Connect.

Η ένδειξη δείχνει **Cn**.

Υπόδειξη

Πατήστε τα δύο πλήκτρα ακριβώς ταυτόχρονα. Ο χειρισμός των πλήκτρων κλειδώνεται, εάν πατηθεί παρατεταμένα μόνο το πλήκτρο **lock/alarm off**. Πατήστε ξανά το πλήκτρο **lock/alarm off** τόσο, μέχρι να ακυρωθεί το κλειδωμα.

2. Πατήστε το πλήκτρο **°C** τόσες φορές, μέχρι να εμφανιστούν οι ενδείξεις **PA** (Ζεύξη = Σύνδεση με App) και **oF**.

3. Πατήστε το πλήκτρο **+**, για να συνδέσετε τη συσκευή με την εφαρμογή (App).

Η ένδειξη δείχνει ένα κινούμενο σχέδιο.

Μόλις συνδεθεί το ψυγείο και η εφαρμογή (App), η ένδειξη δείχνει **on**.

4. Ανοίξτε την εφαρμογή (App) και περιμένετε, μέχρι να εμφανιστεί το ψυγείο.

Με **Προσθήκη** επιβεβαιώστε τη σύνδεση μεταξύ εφαρμογής (App) και ψυγείου.

Όταν το ψυγείο δεν εμφανιστεί αυτόματα, στην εφαρμογή (App) κάντε κλικ στην **Προσθήκη συσκευής** και ακολουθήστε τις υποδείξεις. Μόλις εμφανιστεί το ψυγείο, προσθέστε το με **+**.

5. Ακολουθήστε τις οδηγίες στην εφαρμογή (App), μέχρι να ολοκληρωθεί η διαδικασία.

- Οι ενδείξεις δείχνουν **PA** και **on**.
Το ψυγείο έχει συνδεθεί με επιτυχία με την εφαρμογή (App).
- Εάν η σύνδεση αποτύχει, ελέγξτε εάν η φορητή τερματική συσκευή είναι συνδεδεμένη με το οικιακό δίκτυο (WLAN).
Στη συνέχεια, συνδέστε ξανά το ψυγείο με την εφαρμογή (App).
- Όταν η ένδειξη δείχνει **Er**, επαναφέρετε τις ρυθμίσεις Home Connect και εκτελέστε από την αρχή την προετοιμασία.

Έλεγχος έντασης σήματος

Πρέπει να ελέγχετε την ένταση σήματος, όταν δεν λειτουργεί η διαμόρφωση σύνδεσης.

1. Πατήστε ταυτόχρονα το πλήκτρο **super** και το πλήκτρο **lock/alarm off** για να ανοίξετε το μενού Home Connect.

Η ένδειξη δείχνει **Cn**.

Υπόδειξη

Πατήστε τα δύο πλήκτρα την ίδια στιγμή. Ο χειρισμός των πλήκτρων κλειδώνεται, εάν πατηθεί παρατεταμένα μόνο το πλήκτρο **lock/alarm off**. Πατήστε ξανά το πλήκτρο **lock/alarm off** παρατεταμένα, μέχρι να ακυρωθεί το κλειδίωμα.

2. Πατήστε το πλήκτρο **°C** τόσες φορές, μέχρι η ένδειξη να δείχνει **SI**. Στη δεύτερη ένδειξη εμφανίζεται μια τιμή μεταξύ 0 (καθόλου λήψη) και 3 (πλήρης λήψη).

Υπόδειξη

Η ένταση σήματος θα πρέπει να βρίσκεται τουλάχιστον στο 2. Αν η ένταση σήματος είναι πολύ χαμηλή, μπορεί να διακοπεί η σύνδεση. Τοποθετήστε πιο κοντά τον δρομολογητή και το ψυγείο, βεβαιωθείτε ότι η σύνδεση δεν παρενοχλείται από τοίχους που καλύπτουν το σήμα ή εγκαταστήστε ενισχυτή για να ενισχύσετε το σήμα.

Ενεργοποίηση καμερών

Με αυτή τη λειτουργία μέσω της εφαρμογής (App) μπορείτε να ελέγξετε οποτεδήποτε, τι βρίσκεται στο ψυγείο σας. Σε κάθε κλείσιμο της πόρτας του θαλάμου ψύξης οι κάμερες δημιουργούν μια εικόνα του θαλάμου ψύξης και της πόρτας του θαλάμου ψύξης.

Υπόδειξη

Οι κάμερες δημιουργούν μια εικόνα μόνο σε αυτή τη χρονική στιγμή. Έτσι η διωτικότητα σας είναι προστατευμένη.

Εάν το ψυγείο έχει συνδεθεί με το οικιακό δίκτυο (WLAN) και με την εφαρμογή (App) Home Connect, μπορείτε να ενεργοποιήσετε τις κάμερες:

1. Πατήστε ταυτόχρονα το πλήκτρο **super** και το πλήκτρο **lock/alarm off** για να ανοίξετε το μενού Home Connect.

Η ένδειξη δείχνει **Cn**.

Υπόδειξη

Πατήστε τα δύο πλήκτρα ακριβώς ταυτόχρονα. Ο χειρισμός των πλήκτρων κλειδώνεται, εάν πατηθεί παρατεταμένα μόνο το πλήκτρο **lock/alarm off**. Πατήστε ξανά το πλήκτρο **lock/alarm off** τόσο, μέχρι να ακυρωθεί το κλειδίωμα.

2. Πατήστε το πλήκτρο °C τόσες φορές, μέχρι να εμφανιστούν οι ενδείξεις **Ca** και **oF**.
3. Πατήστε το πλήκτρο +, για να ενεργοποιήσετε τις κάμερες.
Η ένδειξη δείχνει **On**, οι κάμερες είναι ενεργοποιημένες.

Υπόδειξη

Εάν οι κάμερες είναι ενεργοποιημένες και με την εφαρμογή (App) καλείται συχνά το περιεχόμενο του ψυγείου, προκύπτει αυξημένη μετάδοση δεδομένων.

Υπόδειξη

Το φόρτωμα των φωτογραφιών διαρκεί έως και τρία λεπτά.

Υπόδειξη

Διάφοροι εξωτερικοί παράγοντες στο οικιακό δίκτυο και στο διαδίκτυο προκαλούν προβλήματα μετάδοσης και την απόρριψη των εικόνων. Αυτό δεν έχει καμία επίδραση στις βασικές λειτουργίες της συσκευής.

Απενεργοποίηση καμερών:

1. Πατήστε ταυτόχρονα το πλήκτρο super και το πλήκτρο lock/alarm off για να ανοίξετε το μενού Home Connect.
Η ένδειξη δείχνει **Cn**.

Υπόδειξη

Πατήστε τα δύο πλήκτρα ακριβώς ταυτόχρονα. Ο χειρισμός των πλήκτρων κλειδώνεται, εάν πατηθεί παρατεταμένα μόνο το πλήκτρο lock/alarm off. Πατήστε ξανά το πλήκτρο lock/alarm off τόσο, μέχρι να ακυρωθεί το κλείδωμα.

2. Πατήστε το πλήκτρο °C τόσες φορές, μέχρι να εμφανιστούν οι ενδείξεις **Ca** και **oF**.
3. Πατήστε το πλήκτρο +, για να απενεργοποιήσετε τις κάμερες.
Η ένδειξη δείχνει **Off**, οι κάμερες είναι απενεργοποιημένες.

Επαναφορά ρυθμίσεων Home Connect

Όταν η δημιουργία σύνδεσης δεν λειτουργεί ή θέλετε να συνδέσετε το ψυγείο σε άλλο οικιακό δίκτυο (WLAN), μπορείτε να επαναφέρετε τις ρυθμίσεις Home Connect:

1. Πατήστε ταυτόχρονα το πλήκτρο super και το πλήκτρο lock/alarm off για να ανοίξετε το μενού Home Connect.
Η ένδειξη δείχνει **Cn**.

Υπόδειξη

Πατήστε τα δύο πλήκτρα την ίδια στιγμή. Ο χειρισμός των πλήκτρων κλειδώνεται, εάν πατηθεί παρατεταμένα μόνο το πλήκτρο lock/alarm off. Πατήστε ξανά το πλήκτρο lock/alarm off παρατεταμένα, μέχρι να ακυρωθεί το κλείδωμα.

2. Πατήστε το πλήκτρο °C τόσες φορές, μέχρι να εμφανιστούν οι ενδείξεις **rE** και **oF**.
3. Πατήστε το πλήκτρο +.

- Η ένδειξη δείχνει μια κινούμενη εικόνα και έπειτα πάλι **oF**.
Οι ρυθμίσεις Home Connect έχουν μηδενιστεί.
- Αν η ένδειξη δείχνει **Er**, ξεκινήστε ξανά την επαναφορά ή καλέστε την υπηρεσία εξυπηρέτησης πελατών.

Πρόσβαση της υπηρεσίας εξυπηρέτησης πελατών

Όταν έρχεστε σε επαφή με την υπηρεσία εξυπηρέτησης πελατών, μπορεί αυτή, μετά τη συγκατάθεσή σας, να έχει πρόσβαση στη συσκευή σας και να ανιχνεύσει την κατάστασή της. Γι' αυτό πρέπει να έχετε συνδέσει τη συσκευή σας με το οικιακό δίκτυο.

Περισσότερες πληροφορίες για την πρόσβαση της υπηρεσίας εξυπηρέτησης πελατών και τη διαθεσιμότητά της στη χώρα σας θα βρείτε κάτω από www.home-connect.com στην περιοχή Βοήθεια και Υποστήριξη.

1. Ελάτε σε επαφή με την υπηρεσία εξυπηρέτησης πελατών.
2. Επιβεβαιώστε την έναρξη της πρόσβασης της υπηρεσίας εξυπηρέτησης πελατών στην εφαρμογή (App).

Κατά τη διάρκεια της πρόσβασης της υπηρεσίας εξυπηρέτησης πελατών εμφανίζεται το σύμβολο CS πάνω στο πεδίο χειρισμού.

3. Μόλις η υπηρεσία εξυπηρέτησης πελατών συγκεντρώσει τις απαραίτητες πληροφορίες, τερματίζει την πρόσβαση.

Υπόδειξη

Μπορείτε να διακόψετε πρόωρα την τηλεδιάγνωση, απενεργοποιώντας την πρόσβαση της υπηρεσίας εξυπηρέτησης πελατών στην εφαρμογή (App) Home Connect.

Υπόδειξη για την προστασία των προσωπικών δεδομένων

Με τη σύνδεση για πρώτη φορά του ψυγείου σας με ένα συνδεδεμένο στο διαδίκτυο (Internet) δίκτυο WLAN μεταδίδει η συσκευή σας τις ακόλουθες κατηγορίες δεδομένων στον εξυπηρετητή Home Connect (πρώτη εγγραφή):

- Μονοσήμαντη αναγνώριση συσκευής (αποτελούμενη από κωδικούς συσκευής καθώς και τη διεύθυνση MAC της ενσωματωμένης μονάδας επικοινωνίας Wi-Fi).
- Πιστοποιητικό ασφαλείας της μονάδας επικοινωνίας Wi-Fi (για την ασφάλεια της σύνδεσης μέσω της τεχνολογίας των πληροφοριών).
- Η τρέχουσα έκδοση λογισμικού και υλισμικού της οικιακής συσκευής σας.
- Κατάσταση μιας ενδεχομένης προηγούμενης επαναφοράς στις ρυθμίσεις του εργοστασίου.

Αυτή η πρώτη εγγραφή προετοιμάζει τη χρήση των λειτουργιών Home Connect και είναι απαραίτητη από τη στιγμή που θέλετε να χρησιμοποιήσετε το Home Connect για πρώτη φορά.

Υπόδειξη

Προσέξτε, ότι οι λειτουργίες Home Connect μπορεί να χρησιμοποιηθούν μόνο σε συνδυασμό με την εφαρμογή (App) Home Connect. Πληροφορίες για την προστασία των προσωπικών δεδομένων μπορείτε να καλέσετε στην εφαρμογή (App) Home Connect.

Δήλωση πιστότητας

Με το παρόν η εταιρεία Robert Bosch Hausgeräte GmbH δηλώνει, ότι η συσκευή με λειτουργικότητα Home Connect ταυτίζεται με τις βασικές απαιτήσεις και τις υπόλοιπες σχετικές διατάξεις της οδηγίας 1999/5/ΕΚ.

Μια λεπτομερής δήλωση πιστότητας R&TTE μπορείτε να βρείτε στο διαδίκτυο (Internet) στην ηλεκτρονική διεύθυνση www.bosch-home.com στη σελίδα προϊόντος της συσκευής σας στα πρόσθετα έγγραφα.



Ωφέλιμο περιεχόμενο

Τα στοιχεία για το ωφέλιμο περιεχόμενο θα τα βρείτε μέσα στη συσκευή σας στην πινακίδα τύπου. Εικόνα 16

Πλήρης εκμετάλλευση της χωρητικότητας του χώρου κατάψυξης

Για να τοποθετήσετε τη μέγιστη ποσότητα κατεψυγμένων τροφίμων, μπορείτε να αφαιρέσετε τα δοχεία. Τότε μπορείτε να στοιβάξετε τα τρόφιμα απευθείας πάνω στο ράφι και στον πυθμένα του χώρου κατάψυξης.

Υπόδειξη

Αποφεύγετε την επαφή μεταξύ των τροφίμων και του οπίσθιου τοιχώματος. Διαφορετικά διαταράσσεται η ομαλή κυκλοφορία του αέρα.

Τρόφιμα ή συσκευασίες μπορεί να παγώσουν και να κολλήσουν με πάγο στο οπίσθιο τοίχωμα.

Αφαίρεση μερών εξοπλισμού

Τραβήξτε το δοχείο κατεψυγμένων τροφίμων μέχρι τέρμα προς τα έξω, ανασηκώστε το μπροστά και αφαιρέστε το. Εικόνα 10

- Σε συσκευές με παρασκευαστή πάγου μπορεί να αφαιρεθεί. Εικόνα 15

Χώρος συντήρησης

Ο χώρος συντήρησης είναι ο ιδανικός χώρος αποθήκευσης για κρέας, αλλαντικά, ψάρι, γαλακτοκομικά προϊόντα, αυγά, μαγειρεμένα φαγητά και αρτοσκευάσματα.

Κατά την αποθήκευση προσέχετε τα εξής

- Αποθηκεύετε φρέσκα, άθικτα τρόφιμα. Έτσι διατηρείται για μεγαλύτερο διάστημα η ποιότητα και η φρεσκάδα.
- Σε έτοιμα προϊόντα και τυποποιημένα τρόφιμα προσέξτε την ημερομηνία ανάλωσης ή την ημερομηνία λήξης που δίνεται από τον κατασκευαστή.
- Για να διατηρηθούν το άρωμα, το χρώμα και η φρεσκάδα τοποθετείτε τα τρόφιμα καλά συσκευασμένα ή καλυμμένα. Έτσι αποφεύγονται η ανάμιξη των γεύσεων και οι χρωματικές αλλοιώσεις των πλαστικών μερών στον χώρο συντήρησης.
- Αφήνετε τα ζεστά φαγητά και ποτά να κρυώσουν πρώτα και τα τοποθετείτε μετά μέσα στη συσκευή.

Υπόδειξη

Μην μπλοκάρετε τα ανοίγματα εξόδου αέρα με τρόφιμα, ώστε να μην εμποδίζεται η κυκλοφορία του αέρα. Τα τρόφιμα, τα οποία αποθηκεύονται άμεσα μπροστά από τα ανοίγματα εξόδου αέρα, μπορούν να παγώσουν από τον εξερχόμενο ψυχρό αέρα.

Προσέξτε τις ψυχρές ζώνες στο χώρο ψύξης

Λόγω της κυκλοφορίας του αέρα στο χώρο ψύξης προκύπτουν διαφορετικές ζώνες ψύξης:

- Οι ψυχρότερες ζώνες είναι μπροστά από τα ανοίγματα αερισμού και μέσα στον ψυχρό θάλαμο αποθήκευσης, εικόνα **1**/23.

Υπόδειξη

Αποθηκεύετε στις ψυχρότερες ζώνες ευαίσθητα τρόφιμα (π.χ. ψάρια, αλλαντικά, κρέας).

- Η θερμότερη ζώνη είναι στο επάνω μέρος της πόρτας.

Υπόδειξη

Στη θερμότερη ζώνη αποθηκεύετε π. χ. σκληρό τυρί και βούτυρο. Το σκληρό τυρί μπορεί να αναπτύξει έτσι περαιτέρω το άρωμά του, το βούτυρο παραμένει μαλακό.

Δοχείο λαχανικών με ρυθμιστή υγρασίας

Εικόνα **8**

Για να δημιουργηθεί το ιδανικό κλίμα αποθήκευσης για φρούτα και λαχανικά, μπορείτε να ρυθμίσετε την υγρασία του αέρα στο δοχείο λαχανικών:

- Κυρίως λαχανικά καθώς και σε μικτή φόρτωση ή μικρή φόρτωση – υψηλή υγρασία αέρα
- Κυρίως φρούτα καθώς και σε μεγάλη φόρτωση – χαμηλή υγρασία του αέρα

Υποδείξεις

- Για την ιδανική διατήρηση της ποιότητας και του αρώματός τους τα ευαίσθητα στο ψύχος φρούτα (π. χ. ανανάς, μπανάνες, παπάγια και εσπεριδοειδή) και λαχανικά (π. χ. μελιτζάνες, αγγούρια, κολοκύθια, πιπεριές, ντομάτες και πατάτες) θα πρέπει να αποθηκεύονται εκτός ψυγείου σε θερμοκρασίες περίπου +8 °C έως +12 °C.
- Ανάλογα με την ποσότητα και τα προς αποθήκευση τρόφιμα μπορεί να σχηματιστεί νερό συμπύκνωσης μέσα στο δοχείο λαχανικών. Απομακρύνετε το νερό συμπύκνωσης με στεγνό πανί και προσαρμόστε την υγρασία του αέρα στο δοχείο λαχανικών μέσω του ρυθμιστή υγρασίας.

Χώρος ψυχρής αποθήκευσης

Εικόνα 9

Στον χώρο ψυχρής αποθήκευσης επικρατούν χαμηλότερες θερμοκρασίες απ' ό,τι στον χώρο συντήρησης. Μπορούν επίσης να εμφανιστούν θερμοκρασίες κάτω των 0 °C.

Ιδανικός για την αποθήκευση ψαριών, κρέατος και αλλαντικών. Όχι για σαλάτες και λαχανικά και τρόφιμα ευαίσθητα στο ψύχος.

Η θερμοκρασία των ψυχρών θαλάμων αποθήκευσης μπορεί να μεταβάλλεται με τη βοήθεια του ανοίγματος αερισμού. Σπρώξτε το ρυθμιστή θερμοκρασίας προς τα πάνω, για να μειώσετε τη θερμοκρασία. Σπρώξτε το ρυθμιστή θερμοκρασίας προς τα κάτω, για να αυξήσετε τη θερμοκρασία. Εικόνα 7

Κάμερα

Εικόνες 1/17

Οι κάμερες παίρνουν σε κάθε κλείσιμο της πόρτας μία φωτογραφία του εσωτερικού χώρου και των θηκών στις πόρτες. Με το Home Connect μπορείτε να καλείτε τις φωτογραφίες με μια φορητή τερματική συσκευή.

Υπόδειξη

Θολές εικόνες αποτελούν ένδειξη για το ότι η πόρτα έκλεισε πολύ γρήγορα. Για να διασφαλιστεί επαρκής ποιότητα εικόνας, κλείστε αργά την πόρτα. Ακόμα και μια ζημιά στην αντιθαμβωτική μεμβράνη μπορεί να προκαλέσει θολές εικόνες.

Αντικατάσταση αντιθαμβωτικής μεμβράνης

1. Αφαιρέστε την κατεστραμμένη αντιθαμβωτική μεμβράνη.
2. Αφαιρέστε την καινούργια αντιθαμβωτική μεμβράνη από το χαρτί.

Υπόδειξη

Μην ακουμπάτε ποτέ την αυτοκόλλητη πλευρά. Έτσι, επηρεάζεται η ποιότητα των φωτογραφιών. Κρατάτε την αντιθαμβωτική μεμβράνη προσεκτικά από το περιθώριο.

3. Κολλήστε την αντιθαμβωτική μεμβράνη κεντρικά στον φακό της κάμερας.
4. Αφαιρέστε την εξωτερική προστατευτική μεμβράνη της αντιθαμβωτικής μεμβράνης.

Υπερψύξη

Κατά τη λειτουργία με υπερψύξη ψύχεται ο χώρος συντήρησης επί περ. 6 ώρες στη χαμηλότερη δυνατή θερμοκρασία. Κατόπιν ρυθμίζεται αυτόματα στη θερμοκρασία που είχε ρυθμιστεί πριν την ενεργοποίηση της υπερψύξης.

Ενεργοποιείτε την υπερψύξη π.χ.

- πριν την τοποθέτηση μεγάλων ποσοτήτων τροφίμων.
- για την ταχεία ψύξη ποτών.

Ενεργοποίηση και απενεργοποίηση

Εικόνα 4

1. Επιλέξτε το χώρο ψύξης με το πλήκτρο °C.
2. Πατήστε το πλήκτρο Super μέχρι να ανάψει η ένδειξη supercool.

Δεν πρέπει να απενεργοποιήσετε την υπέρψυξη. Μετά από 6 ώρες περνά αυτόματα στην προηγούμενη ρυθμισμένη θερμοκρασία.

Υπόδειξη

Αν είναι ενεργοποιημένη η σούπερ ψύξη, μπορεί να παρατηρηθούν αυξημένοι θόρυβοι λειτουργίας.

Χώρος κατάψυξης

Χρησιμοποιείτε τον χώρο κατάψυξης

- Για την αποθήκευση κατεψυγμένων τροφίμων.
- Για την παρασκευή παγοκύβων.
- Για την κατάψυξη τροφίμων.

Υπόδειξη

Προσέξτε να είναι πάντοτε κλειστή η πόρτα του χώρου κατάψυξης. Με ανοιχτή την πόρτα ξεπαγώνουν τα τρόφιμα και ο χώρος κατάψυξης καλύπτεται από παχύ στρώμα πάγου. Εκτός αυτού: Σπατάλη ενέργειας λόγω μεγάλης κατανάλωσης ρεύματος!

Μέγ. απόδοση κατάψυξης

Στοιχεία σχετικά με τη μέγιστη απόδοση κατάψυξης εντός 24 ωρών θα βρείτε στην πινακίδα τύπου. Εικόνα **16**

Προϋποθέσεις για τη μέγ. απόδοση κατάψυξης

- Ενεργοποιήστε την υπερκατάψυξη πριν την τοποθέτηση των νωπών τροφίμων (βλ. στο Κεφάλαιο Υπερκατάψυξη).
- Αφαιρέστε τα δοχεία, στοιβάξτε τα τρόφιμα απευθείας πάνω στο ράφι και στον πυθμένα του χώρου κατάψυξης.
- Καταψύχετε τις μεγάλες ποσότητες τροφίμων κατά προτίμηση στο επάνω ράφι. Εκεί αυτά καταψύχονται ιδιαίτερα γρήγορα και ως εκ τούτου επίσης με διατήρηση των θρεπτικών συστατικών τους.

Κατάψυξη και αποθήκευση

Αγορά κατεψυγμένων τροφίμων

- Η συσκευασία δεν επιτρέπεται να είναι χαλασμένη.
- Προσέχετε την ημερομηνία λήξης.
- Η θερμοκρασία στα ψυγεία των καταστημάτων πώλησης πρέπει να είναι $-18\text{ }^{\circ}\text{C}$ ή χαμηλότερη.
- Μεταφέρετε τα κατεψυγμένα τρόφιμα που αγοράσατε κατά δυνατότητα σε μονωτική σακούλα και τοποθετήστε τα χωρίς καθυστέρηση στον χώρο κατάψυξης.

Κατά την τακτοποίηση προσέξτε τα εξής

- Καταψύχετε μεγάλες ποσότητες τροφίμων κατά προτίμηση στο επάνω ράφι. Εκεί αυτά καταψύχονται ιδιαίτερα γρήγορα και ως εκ τούτου επίσης με διατήρηση των θρεπτικών συστατικών τους.
- Τοποθετείτε τα τρόφιμα απλωμένα μέσα στους χώρους ή αντίστοιχα στα δοχεία κατεψυγμένων τροφίμων.

Υπόδειξη

Τα ήδη κατεψυγμένα τρόφιμα δεν επιτρέπεται να έρθουν σε επαφή με τα νωπά τρόφιμα που πρόκειται να καταψυχθούν. Ενδεχομένως μετατοπίζετε τα ήδη κατεψυγμένα τρόφιμα στα άλλα δοχεία κατεψυγμένων τροφίμων.

Αποθήκευση κατεψυγμένων τροφίμων

Εισάγετε τα δοχεία κατεψυγμένων τροφίμων μέχρι το τέρμα, για να διασφαλίζεται η απρόσκοπτη κυκλοφορία του αέρα.

Κατάψυξη νωπών τροφίμων

Αν πρόκειται να καταψύξετε τρόφιμα, χρησιμοποιείτε μόνον φρέσκα και αρίστης ποιότητας τρόφιμα.

Για να διατηρηθεί η θρεπτική αξία, το άρωμα και το χρώμα όσο το δυνατόν καλύτερα, τα λαχανικά θα πρέπει να ζεματίζονται, προτού καταψυχθούν. Για μελιτζάνες, πιπεριές, κολοκύθια και σπαράγγια το ζεμάτισμα δεν είναι απαραίτητο.

Βιβλιογραφία σχετικά με την κατάψυξη και το ζεμάτισμα θα βρείτε στα βιβλιοπωλεία.

Υπόδειξη

Προσέξτε να μην έρχονται σε επαφή τα τρόφιμα που πρόκειται να καταψυχθούν με ήδη κατεψυγμένα τρόφιμα.

- Για κατάψυξη είναι κατάλληλα: Αρτοσκευάσματα, ψάρια και θαλασσινά, κρέας, κυνήγι, πουλερικά, λαχανικά, φρούτα, αρωματικά χόρτα, αβγά χωρίς το τσίφλι, γαλακτοκομικά προϊόντα όπως τυρί, βούτυρο και χλωρή μυζήθρα, έτοιμα φαγητά και περισσεύματα φαγητών όπως σούπες, μαγειρευτά φαγητά, ψημένο κρέας και ψάρι, φαγητά με πατάτες, σουφλέ, ογκρατέν και γλυκίσματα.

- Για κατάψυξη δεν είναι κατάλληλα: Είδη λαχανικών, τα οποία καταναλώνονται συνήθως ωμά, όπως σαλάτες ή ραπανάκια, αβγά με το τσόφλι, σταφύλια, ολόκληρα μήλα, αχλάδια και ροδάκινα, σφιχτοβρασμένα αβγά, γιαούρτι, ξυνόγαλο, ξινή κρέμα γάλακτος, φρέσκια κρέμα γάλακτος και μαγιονέζα.

Συσκευασία των κατεψυγμένων τροφίμων

Συσκευάζετε τα τρόφιμα αεροστεγώς, ούτως ώστε να μη χάσουν ούτε τη γεύση τους ούτε την υγρασία τους.

1. Τοποθετείτε τα τρόφιμα μέσα στη συσκευασία.
2. Πιέζετε τη συσκευασία, μέχρι να βγει ο αέρας.
3. Κλείνετε καλά τη συσκευασία.
4. Αναγράφετε στη συσκευασία το περιεχόμενο του πακέτου και την ημερομηνία κατάψυξής του.

Κατάλληλα για τη συσκευασία είναι:

Πλαστικές μεμβράνες, σωληνοειδείς μεμβράνες από πολυαιθυλένιο, αλουμινοχαρτα, κουτιά κατάψυξης (τάπερ κτλ.). Αυτά τα προϊόντα μπορείτε να τα βρείτε στα ειδικά καταστήματα.

Ακατάλληλα για τη συσκευασία είναι:

Χαρτί περιτυλίγματος, λαδόχαρτο, σελοφάν, σακούλες απορριμμάτων και μεταχειρισμένες σακούλες από ψώνια.

Κατάλληλα για το κλείσιμο της συσκευασίας είναι:

Λαστιχάκια, πλαστικά κλιπ, κλωστές, αυτοκόλλητες ταινίες ανθεκτικές στις χαμηλές θερμοκρασίες ή παρόμοια.

Οι σακούλες και οι μεμβράνες σε σωλήνα από πολυαιθυλένιο (PE) μπορεί να κλείσουν με συγκόλληση με την ειδική συσκευή θερμοσυγκόλλησης πλαστικών μεμβρανών.

Χρόνος διατήρησης των κατεψυγμένων τροφίμων

Η διάρκεια διατήρησης εξαρτάται από το είδος των τροφίμων.

Σε θερμοκρασία -18 °C:

- ψάρια, αλλαντικά, μαγειρεμένα φαγητά, αρτοσκευάσματα και γλυκά: μέχρι και 6 μήνες
- τυρί, πουλερικά, κρέας: μέχρι και 8 μήνες
- λαχανικά, φρούτα: μέχρι και 12 μήνες

Υπερκατάψυξη

Τα τρόφιμα πρέπει να καταψύχονται όσο το δυνατόν γρήγορα μέχρι τον πυρήνα τους, ώστε να διατηρηθούν οι βιταμίνες, η θρεπτική αξία, η εμφάνιση και η γεύση τους.

Ενεργοποιήστε μερικές ώρες πριν την τοποθέτηση των νωπών τροφίμων την υπερκατάψυξη, για να αποφύγετε μια ανεπιθύμητη αύξηση της θερμοκρασίας.

Γενικά αρκούν 4–6 ώρες.

Η συσκευή δουλεύει μετά την ενεργοποίηση αδιάκοπα, στον χώρο της κατάψυξης επιτυγχάνεται πολύ χαμηλή θερμοκρασία.

Αν πρόκειται να εκμεταλλευτείτε τη μέγιστη απόδοση κατάψυξης, τότε πρέπει να ενεργοποιήσετε την υπερκατάψυξη 24 ώρες πριν την τοποθέτηση των νωπών τροφίμων.

Μικρότερες ποσότητες τροφίμων (μέχρι και 2 kg) μπορούν να καταψυχθούν χωρίς υπερκατάψυξη.

Υπόδειξη

Αν είναι ενεργοποιημένη η υπερκατάψυξη, μπορεί να εμφανιστούν αυξημένοι θόρυβοι λειτουργίας.

Ενεργοποίηση και απενεργοποίηση

Εικόνα **4**

1. Επιλέξτε το χώρο κατάψυξης με το πλήκτρο °C.
2. Πατήστε το πλήκτρο Super μέχρι να ανάψει η ένδειξη superfreeze.

Δεν πρέπει να απενεργοποιήσετε την υπερκατάψυξη. Μετά περίπου 2 ½ ημέρες περνά αυτόματα στην προηγούμενη ρυθμισμένη θερμοκρασία.

Απόψυξη κατεψυγμένων τροφίμων

Ανάλογα με το είδος και τον σκοπό χρήσης μπορείτε να επιλέξετε ανάμεσα στις ακόλουθες δυνατότητες:

- σε θερμοκρασία δωματίου
- στο ψυγείο
- στον ηλεκτρικό φούρνο, με/χωρίς ανεμιστήρα θερμού αέρα
- στον φούρνο μικροκυμάτων

Προσοχή

Μην ξανακαταψύξετε τα μισοξεπαγωμένα ή τελειώς ξεπαγωμένα κατεψυγμένα τρόφιμα. Μόνον αφού τα μαγειρέψετε, μπορείτε να καταψύξετε εκ νέου το έτοιμο φαγητό.

Μην εξαντλήσετε πλέον τη μέγιστη διάρκεια αποθήκευσης των τροφίμων.

Εξοπλισμός

Ράφια και δοχεία

Μπορείτε να μεταβάλλετε τη θέση των ραφιών του εσωτερικού χώρου και των δοχείων της πόρτας ανάλογα με τις ανάγκες σας: Τραβάτε το ράφι προς τα εμπρός, το κατεβάζετε και το τραβάτε στρέφοντάς το στα πλάγια προς τα έξω. Ανασηκώνετε και βγάλτε τα δοχεία.

Ειδικός εξοπλισμός

(όχι σε όλα τα μοντέλα)

Διαχώρισμα για βούτυρο και τυρί

Πιέζοντας ελαφρά στο κέντρο του κλαπέτου της θήκης για βούτυρο, ανοίγει η θήκη βουτύρου.

Για τον καθαρισμό ανασηκώστε τη θήκη από κάτω και αφαιρέστε την.

Σετ πρωινού

Εικόνα **5**

Τα δοχεία του σετ πρωινού μπορούν να αφαιρεθούν ξεχωριστά και να γεμιστούν.

Μπορείτε να αφαιρέσετε το σετ πρωινού για την τοποθέτηση και αφαίρεση των τροφίμων. Γι' αυτό ανασηκώνετε το σετ πρωινού και το τραβάτε προς τα έξω. Τη συγκράτηση του δοχείου μπορείτε να τη μεταθέσετε.

Ράφι φιαλών

Εικόνα **6**

Στο ράφι φιαλών μπορείτε να τοποθετείτε φιάλες με ασφάλεια.

Δοχείο για παγάκια

Εικόνα **13**

1. Γεμίστε το δοχείο παγοκύβων κατά τα $\frac{3}{4}$ με πόσιμο νερό και τοποθετήστε το στον χώρο κατάψυξης.
2. Ξεκολλάτε το τυχόν κολλημένο δοχείο παγοκύβων μόνο με αμβλύ αντικείμενο (λαβή κουταλιού).
3. Για να ξεκολλήσουν τα παγάκια, κρατήστε το δοχείο παγοκύβων για λίγο κάτω από το τρέχον νερό της βρύσης ή λυγίστε το ελαφρά.

Ημερολόγιο κατάψυξης

Εικόνα 12

Για να αποφεύγονται απώλειες στην ποιότητα των κατεψυγμένων τροφίμων, μην υπερβαίνετε τη διάρκεια αποθήκευσης. Οι αριθμοί στα σύμβολα δίνουν την επιτρεπόμενη διάρκεια αποθήκευσης σε μήνες για τα κατεψυγμένα τρόφιμα. Στα συνήθη κατεψυγμένα προϊόντα του εμπορίου προσέχετε την ημερομηνία παρασκευής ή την ημερομηνία λήξης.

Παγοκύστη

Σε περίπτωση διακοπής ρεύματος ή βλάβης η παγοκύστη καθυστερεί την άνοδο της θερμοκρασίας των αποθηκευμένων κατεψυγμένων τροφίμων. Η μακρότερη διάρκεια αποθήκευσης επιτυγχάνεται, αν τοποθετήσετε την παγοκύστη στον επάνω χώρο επάνω στα τρόφιμα.

Η παγοκύστη μπορεί επίσης να αφαιρεθεί και να χρησιμοποιηθεί για την προσωρινή διατήρηση της ψύξης τροφίμων π.χ. σε τσάντα-ψυγείο.

Παρασκευαστής πάγου

Εικόνα 14

Για να παρασκευάσετε παγοκύβους χρησιμοποιείτε αποκλειστικά πόσιμο νερό.

1. Αφαιρέστε το δοχείο νερού και γεμίστε το με πόσιμο νερό ως το σημάδι.

Υπόδειξη

Το επιπλέον πόσιμο νερό μπορεί να επιδράσει αρνητικά στη λειτουργία του παρασκευαστή πάγου. Οι παγόκυβοι δεν ξεκολλούν μεμονωμένα από το δοχείο παγοκύβων. Το παραπανίσιο πόσιμο νερό τρέχει μέσα στο δοχείο αποθέματος, τα υπάρχοντα παγάκια καταψύχονται συγκολλημένα.

2. Γεμίζετε με πόσιμο νερό από το άνοιγμα πλήρωσης.
3. Επανατοποθετήστε το δοχείο νερού.
4. Αν οι παγόκυβοι είναι παγωμένοι, πιέστε τον μοχλό προς τα κάτω και αφήστε τον.
Τα παγάκια ξεκολλούν και πέφτουν μέσα στο δοχείο αποθέματος.
5. Τραβήξτε έξω το δοχείο αποθέματος και πάρτε παγάκια.

Αυτοκόλλητο "OK"

(όχι σε όλα τα μοντέλα)

Με το αυτοκόλλητο "OK" μπορείτε να ελέγξετε, εάν στο θάλαμο ψύξης έχει επιτευχθεί η ασφαλής για τα τρόφιμα περιοχή θερμοκρασίας +4 °C ή χαμηλότερα. Αν το αυτοκόλλητο δε δείχνει "OK", μειώστε σταδιακά τη θερμοκρασία.

Υπόδειξη

Μετά τη θέση της συσκευής σε λειτουργία μπορεί να διαρκέσει έως και 12 ώρες, μέχρι να επιτευχθεί η ρυθμισμένη θερμοκρασία.



Σωστή ρύθμιση

Σβήσιμο και μακροχρόνια θέση της συσκευής εκτός λειτουργίας

Απενεργοποίηση της συσκευής

Πατήστε το πλήκτρο "+" για 10 δευτερόλεπτα.

Το ψυγείο απενεργοποιείται. (όχι σε όλα τα μοντέλα).

Μακροχρόνια θέση της συσκευής εκτός λειτουργίας

Όταν δεν πρόκειται να χρησιμοποιήσετε για μεγάλο χρονικό διάστημα τη συσκευή:

1. Βγάλτε το φινι από την πρίζα ή απενεργοποιήστε την ασφάλεια.
2. Καθαρίστε τη συσκευή.
3. Αφήστε ανοιχτή την πόρτα της συσκευής.

Υπόδειξη

Για να αποφύγετε ζημιές στη συσκευή, πρέπει οι πόρτες της συσκευής να είναι ανοιχτές τόσο, ώστε να παραμένουν από μόνες τους ανοιχτές. Μη μαγκώσετε κανένα αντικείμενο στην πόρτα. για να την κρατήσετε ανοιχτή.

Καθαρισμός της συσκευής

Προσοχή

- Μη χρησιμοποιήσετε διαλυτικά και μέσα καθαρισμού που περιέχουν άμμο, χλωρίδιο ή οξέα.
- Μη χρησιμοποιείτε διαβρωτικά σφουγγάρια ή σφουγγάρια που δημιουργούν αμυχές. Στις μεταλλικές επιφάνειες θα μπορούσε να προκληθεί διάβρωση.
- Μην πλένετε ποτέ ράφια και δοχεία της συσκευής στο πλυντήριο πιάτων. Τα μέρη αυτά είναι δυνατόν να παραμορφωθούν!

Το νερό καθαρισμού δεν επιτρέπεται να διεισδύσει στους ακόλουθους τομείς:

- Στοιχεία χειρισμού
- Φωτισμός
- Ανοίγματα αερισμού
- Ανοίγματα στην πλάκα διαχωρισμού

Ακολουθήστε την εξής διαδικασία:

1. Βγάλτε το φιν από την πρίζα ή απενεργοποιήστε την ασφάλεια.
2. Αφαιρέστε τα κατεψυγμένα τρόφιμα και αποθηκεύστε τα σε δροσερό μέρος. Βάλτε την παγοκύστη (αν υπάρχει) επάνω στα τρόφιμα.
3. Το νερό καθαρισμού δεν επιτρέπεται να έρθει σε επαφή με τα στοιχεία χειρισμού, το φωτισμό, τα ανοίγματα αερισμού ή με τα ανοίγματα της πλάκας διαχωρισμού!
Καθαρίστε τη συσκευή με ένα μαλακό πανί, χλιαρό νερό και λίγο απορρυπαντικό πλυσίματος πιάτων με ουδέτερο pH.
4. Σκουπίστε την τσιμούχα της πόρτας με πανί βρεγμένο μόνο με καθαρό νερό και τρίψτε την μετά καλά με στεγνό πανί.
5. Μετά τον καθαρισμό: Ξανασυνδέστε τη συσκευή.
6. Επανατοποθετήστε τα κατεψυγμένα τρόφιμα.

Εξοπλισμός

Για τον καθαρισμό αφαιρέστε όλα τα μεταβλητά μέρη της συσκευής.

Αφαίρεση των ραφιών στην πόρτα

Εικόνα **3**

Ανασηκώστε τα ράφια προς τα πάνω και αφαιρέστε τα.

Αφαίρεση των γυάλινων ραφιών

Τραβήξτε τα γυάλινα ράφια προς τα εμπρός και αφαιρέστε τα.

Αφαίρεση δοχείου

Εικόνα **9**

Τραβήξτε τα δοχεία μέχρι τέρμα προς τα έξω, ανασηκώστε τα μπροστά και αφαιρέστε τα.

Αφαίρεση δοχείου κατεψυγμένων δοχείων

Εικόνα **10**

Τραβήξτε το δοχείο κατεψυγμένων τροφίμων μέχρι τέρμα προς τα έξω, ανασηκώστε το μπροστά και αφαιρέστε το.

Αφαίρεση του γυάλινου ραφιού πάνω από το συρτάρι λαχανικών

Εικόνα **11**

Το γυάλινο ράφι μπορείτε για τον καθαρισμό να το αφαιρέσετε και να το αποσυναρμολογήσετε.

Υπόδειξη

Πριν την αφαίρεση του γυάλινου ραφιού τραβήξτε το δοχείο λαχανικών προς τα έξω.

Καθαρισμός παρασκευαστή πάγου

Καθαρίζετε τακτικά τον παρασκευαστή πάγου. Έτσι αποφεύγετε τη συρρίκνωση των παγοκύβων που παρασκευάστηκαν πριν από κάμποσο χρόνο, την απόκτηση άσχημης γεύσης πολυκαιρίας και την τυχόν συγκόλλησή τους.

1. Αφαιρέστε τον παρασκευαστή πάγου.
Εικόνα **15**
2. Αφαιρέστε το δοχείο αποθέματος και αδειάστε το.
3. Αφαιρέστε το κάλυμμα από τον παρασκευαστή πάγου.
4. Καθαρίστε όλα τα μέρη του παρασκευαστή πάγου με ζεστό νερό.
5. Αφήστε τα μέρη να στεγνώσουν καλά.
6. Συναρμολογήστε τον παρασκευαστή πάγου και τοποθετήστε τον.

Κάμερα

Οι φακοί των καμερών είναι επικαλυμμένοι με μια υδρόφοβη μεμβράνη.

Για τον καθαρισμό χρησιμοποιήστε ένα πανί μικροϊνών.

Σε περίπτωση ζημιάς αντικαταστήστε τη μεμβράνη.

Φωτισμός (LED)

Η συσκευή σας είναι εξοπλισμένη με φωτισμό LED.

Επισκευές αυτού του είδους φωτισμού επιτρέπεται να εκτελούνται μόνον από την υπηρεσία τεχνικής εξυπηρέτησης πελατών ή από εξουσιοδοτημένο ειδικά καταρτισμένο προσωπικό.

Έτσι μπορείτε να εξοικονομήσετε ενέργεια

- Τοποθετήστε τη συσκευή σε στεγνό, αεριζόμενο χώρο! Η συσκευή δεν πρέπει να βρίσκεται εκτεθειμένη στην άμεση ηλιακή ακτινοβολία ούτε κοντά σε πηγή θερμότητας (π.χ. καλοριφέρ, ηλεκτρική κουζίνα).
Χρησιμοποιήστε ενδεχομένως μονωτική πλάκα.
- Αφήνετε τα ζεστά τρόφιμα και ποτά να κρυσώσουν πρώτα και μετά τα βάζετε μέσα στη συσκευή.
- Τοποθετείτε τα κατεψυγμένα τρόφιμα για ξεπάγωμα μέσα στον χώρο συντήρησης και εκμεταλλευτείτε έτσι το ψύχος τους για την ψύξη τροφίμων.
- Ανοίγετε την συσκευή όσο το δυνατόν για μικρότερο χρονικό διάστημα.
- Για την επίτευξη της χαμηλότερης κατανάλωσης ενέργειας, κρατήστε μια μικρή πλευρική απόσταση από τον τοίχο.
- Η διάταξη των μερών του εξοπλισμού δεν επηρεάζουν καθόλου την απορρόφηση ενέργειας της συσκευής.

Θόρυβοι λειτουργίας

Συνηθισμένοι θόρυβοι λειτουργίας

Υπόδειξη

Όταν η υπερκατάψυξη είναι ενεργοποιημένη, μπορεί να εμφανιστούν αυξημένοι θόρυβοι λειτουργίας.

Χαμηλός θόρυβος

Οι κινητήρες λειτουργούν (π.χ. ψυκτικά συγκροτήματα, ανεμιστήρας).

Θόρυβος αναβρασμού, γουργουρίσματος ή βουΐσμα

Ροή του ψυκτικού ρευστού μέσα στους σωλήνες.

Βραχύς μεταλλικός ήχος

Οι κινητήρες, οι διακόπτες ή οι μαγνητικές βαλβίδες ενεργοποιούνται/ απενεργοποιούνται.

Κλικ στις κάμερες

Τερματισμός της λειτουργίας ετοιμότητας και βαθμονόμηση των καμερών. Δεν πραγματοποιείται καμία μεταφορά δεδομένων.

Κρότος

Διεξάγεται η αυτόματη απόψυξη.

Αποφυγή θορύβων

Η συσκευή δεν βρίσκεται σε επίπεδη θέση

Παρακαλείσθε να ευθυγραμμίσετε τη συσκευή με τη βοήθεια αλφαδιού. Χρησιμοποιήστε γι' αυτό τα βιδωτά πόδια ή τοποθετήστε κάτι από κάτω.

Η συσκευή ακουμπάει κάπου

Παρακαλείσθε να απομακρύνετε τη συσκευή από τα έπιπλα ή τις άλλες συσκευές που ακουμπάει.

Ταλαντευόμενα ή μαγκωμένα δοχεία ή ράφια

Παρακαλείσθε να ελέγξετε όλα τα αφαιρούμενα μέρη της συσκευής και ενδεχομένως να τα τοποθετήσετε εκ νέου.

Φιάλες ή δοχεία εφάπτονται μεταξύ τους

Παρακαλείσθε να μετατοπίσετε λίγο τις φιάλες ή τα δοχεία, ούτως ώστε να μην αλληλεφάπτονται.

Πώς θα διορθώσετε μόνες/-οι σας μικροβλάβες

Προτού καλέσετε την υπηρεσία τεχνικής εξυπηρέτησης πελατών:

Εξετάστε, μήπως μπορείτε βάσει των ακολούθων υποδείξεων να διορθώσετε οι ίδιες/οι τη βλάβη.

Σε περιπτώσεις ζήτησης συμβουλής από την υπηρεσία τεχνικής εξυπηρέτησης πελατών, πρέπει να αναλάβετε εσείς τα έξοδα – ακόμη και κατά τη διάρκεια ισχύος της παροχής δωρεάν εγγύησης!

Βλάβη	Πιθανή αιτία	Αντιμετώπιση
Η θερμοκρασία αποκλίνει ισχυρά από τη ρύθμιση.		<p>Σε μερικές περιπτώσεις αρκεί να θέσετε τη συσκευή για 5 λεπτά εκτός λειτουργίας.</p> <p>Αν η θερμοκρασία είναι πολύ υψηλή, ελέγξτε μετά από λίγες ώρες, αν έχει γίνει προσέγγιση θερμοκρασίας.</p> <p>Αν η θερμοκρασία είναι πολύ χαμηλή, ελέγξτε την επόμενη μέρα τη θερμοκρασία ξανά.</p>
Στο χώρο ψύξης ή στο θάλαμο ψυχρής αποθήκευσης επικρατεί πολύ χαμηλή θερμοκρασία.		<p>Ρυθμίστε τη θερμοκρασία στο χώρο ψύξης σε υψηλότερη τιμή.</p> <p>Σπρώξτε το ρυθμιστή θερμοκρασίας για το θάλαμο ψυχρής αποθήκευσης προς τα κάτω. Εικόνα 7</p>
Η θερμοκρασία στον χώρο κατάψυξης είναι πολύ υψηλή.	<p>Συχνό άνοιγμα της συσκευής.</p> <p>Τα ανοίγματα αερισμού και εξαερισμού είναι καλυμμένα.</p> <p>Καταψύχθηκαν μεμιάς μεγαλύτερες ποσότητες νωπών τροφίμων.</p>	<p>Μην ανοίγετε άσκοπα τη συσκευή.</p> <p>Απομακρύνετε τα εμπόδια.</p> <p>Μην υπερβαίνετε τη μέγιστη απόδοση κατάψυξης.</p>
Η συσκευή δεν ψύχει, η ένδειξη θερμοκρασίας και το φως ανάβουν.	Ο τρόπος λειτουργίας έκθεσης είναι ενεργοποιημένος.	<p>Κρατήστε πατημένο το πλήκτρο °C και το πλήκτρο ρύθμισης + για 5 δευτερόλεπτα, μέχρι να ηχήσει ένα σήμα επιβεβαίωσης.</p> <p>Μετά από λίγο χρόνο ελέγξτε, εάν η συσκευή σας ψύχει.</p>

Βλάβη	Πιθανή αιτία	Αντιμετώπιση
Τα πλευρικά τοιχώματα της συσκευής είναι ζεστά.	Στα πλευρικά τοιχώματα περνούν σωλήνες, οι οποίοι θερμαίνονται κατά τη διάρκεια της διαδικασίας ψύξης.	Αυτό είναι μια κανονική συμπεριφορά της συσκευής, καμία βλάβη. Στα ντουλάπια που ακουμπούν στη συσκευή, δεν προκαλείται ζημιά από τη θερμότητα.
Ο φωτισμός δε λειτουργεί.	Ο φωτισμός LED είναι χαλασμένος. Η συσκευή ήταν ανοιχτή για πολύ μεγάλο διάστημα. Ο φωτισμός απενεργοποιείται μετά από περ. 10 λεπτά.	Βλ. Φωτισμός (LED). Μετά το κλείσιμο και το άνοιγμα της συσκευής ο φωτισμός ξανανάβει.
Καμιά ένδειξη δεν είναι αναμμένη.	Διακοπή ρεύματος, η ασφάλεια έχει πέσει ή έχει καεί, το φινι δεν βρίσκεται σωστά μέσα στην πρίζα.	Συνδέστε το φινι στην πρίζα. Εξετάστε αν υπάρχει ρεύμα, ελέγξτε τις ασφάλειες.
Η πόρτα του χώρου κατάψυξης ήταν για μεγάλο διάστημα ανοιχτή. Η θερμοκρασία δεν θα επιτευχθεί πλέον.	Ο εξατμιστής (ψυκτικό μηχανήμα) στο σύστημα NoFrost έχει καταληφθεί από παχύ στρώμα πάγου, το οποίο δεν αποψύχεται πλέον υπεραυτόματα.	Για την απόψυξη του εξατμιστή βγάλτε τα κατεψυγμένα αγαθά μαζί με τους χώρους και αποθηκεύστε τα καλά μονωμένα σε δροσερό μέρος. Θέστε τη συσκευή εκτός λειτουργίας και την απομακρύνετε από τον τοίχο. Αφήστε ανοιχτή την πόρτα της συσκευής. Μετά από περ. 20 λεπτά αρχίζουν τα νερά της απόψυξης να τρέχουν μέσα στο δοχείο εξάτμισης, στην πίσω μεριά της συσκευής. Για να αποφύγετε στην περίπτωση αυτή την υπερχειλίση του δοχείου εξάτμισης, αναρροφήστε τα νερά της απόψυξης με σφουγγάρι. Όταν δεν τρέχει πλέον καθόλου νερό απόψυξης μέσα στο δοχείο εξάτμισης, ο εξατμιστής έχει αποψυχθεί. Καθαρίστε τον εσωτερικό χώρο. Επαναθέστε τη συσκευή σε λειτουργία.
Οι κάμερες δεν φωτογραφίζουν.	Οι κάμερες δεν είναι ενεργοποιημένες στο Home Connect.	Ενεργοποιήστε τις κάμερες.

Βλάβη	Πιθανή αιτία	Αντιμετώπιση
Οι φωτογραφίες είναι θολές.	Η πόρτα έκλεισε πολύ γρήγορα.	Κλείστε την πόρτα πιο αργά.
	Η αντιθαμβωτική μεμβράνη είναι κατεστραμμένη.	Αντικαταστήστε την αντιθαμβωτική μεμβράνη.
Θαμπωμένοι φακοί καμερών.	Η αντιθαμβωτική μεμβράνη είναι κατεστραμμένη.	Αντικαταστήστε την αντιθαμβωτική μεμβράνη.

Αυτοέλεγχος συσκευής

Η συσκευή είναι εξοπλισμένη με ένα αυτόματο πρόγραμμα αυτοελέγχου, το οποίο δείχνει τις πηγές σφαλμάτων, τα οποία μπορούν να αντιμετωπιστούν μόνον από την υπηρεσία τεχνικής εξυπηρέτησης πελατών.

Εκκίνηση αυτοελέγχου της συσκευής

1. Απενεργοποιήστε τη συσκευή και περιμένετε 5 λεπτά.
2. Ενεργοποιήστε τη συσκευή και μέσα στα πρώτα 10 δευτερόλεπτα κρατήστε πατημένο το πλήκτρο °C και το πλήκτρο ρύθμισης "-" για 3-5 δευτερόλεπτα, μέχρι να ακουστεί ένα ηχητικό σήμα.
Το πρόγραμμα αυτοελέγχου ξεκινά.

Όταν έχει τελειώσει ο αυτοέλεγχος και ηχησει δύο φορές ένα ακουστικό σήμα, τότε η συσκευή σας είναι εντάξει.

Εάν ηχησουν 5 ακουστικά σήματα, πρόκειται για κάποιο σφάλμα. Ειδοποιήστε την υπηρεσία εξυπηρέτησης πελατών.

Λήξη του αυτοελέγχου της συσκευής

Μετά τη λήξη του προγράμματος η συσκευή μεταβαίνει στην κανονική λειτουργία.

Υπηρεσία εξυπηρέτησης πελατών

Την υπηρεσία εξυπηρέτησης πελατών στην περιοχή σας θα την βρείτε στον τηλεφωνικό κατάλογο ή στον πίνακα με τις υπηρεσίες εξυπηρέτησης πελατών. Δώστε στην υπηρεσία εξυπηρέτησης πελατών τον αριθμό προϊόντος (E-Nr.) και τον αριθμό κατασκευής (FD-Nr.) της συσκευής.

Αυτά τα στοιχεία θα τα βρείτε στην πινακίδα τύπου. Εικόνα **16**

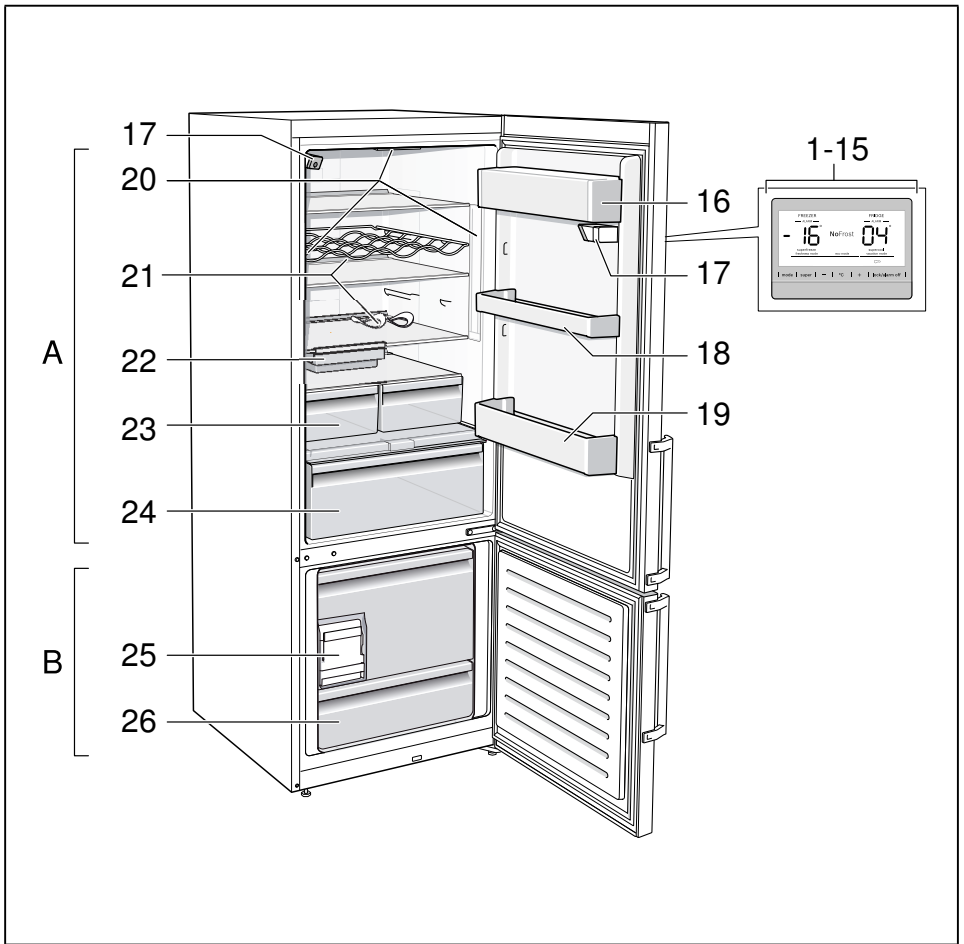
Βοηθήστε παρακαλώ, αναφέροντας τον αριθμό προϊόντος και τον αριθμό κατασκευής, στην αποφυγή άσκοπων διαδρομών. Έτσι εξοικονομείτε τα αντίστοιχα επιπλέον έξοδα.

Εντολή επισκευής και συμβουλές σε περίπτωση βλάβης

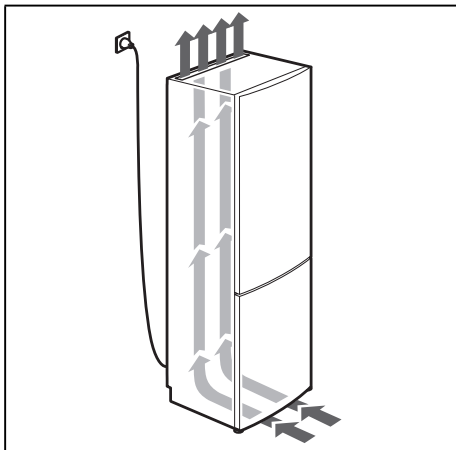
Τα στοιχεία επικοινωνίας όλων των χωρών θα τα βρείτε στον πίνακα Υπηρεσίες τεχνικής εξυπηρέτησης πελατών που παραδίδεται μαζί.

GR 18 182

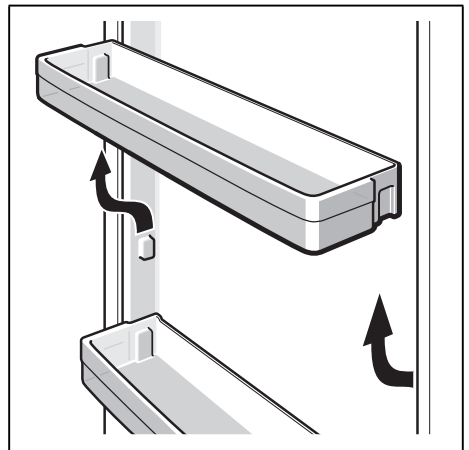
Αστική χρέωση



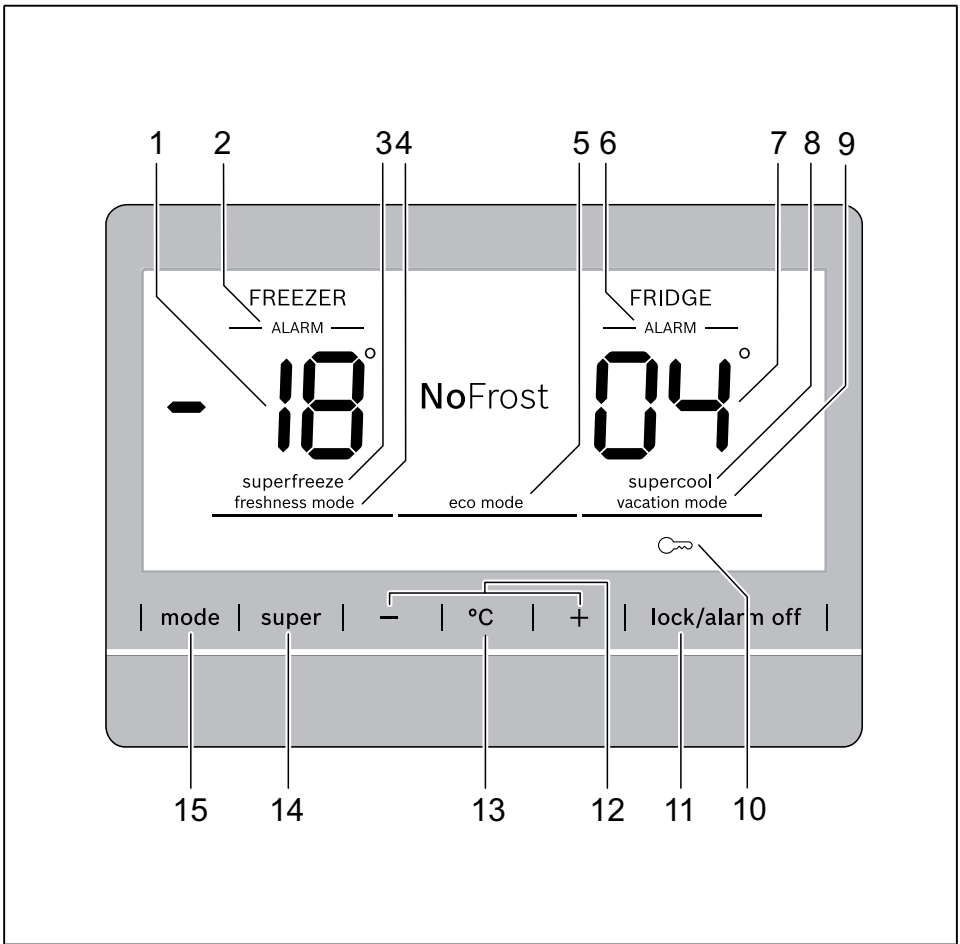
1



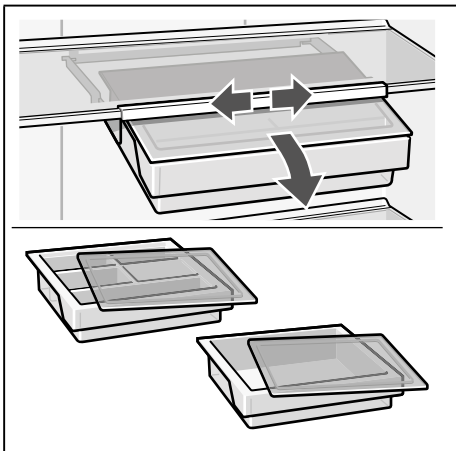
2



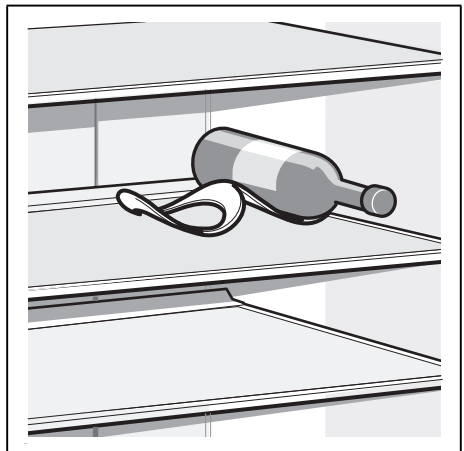
3



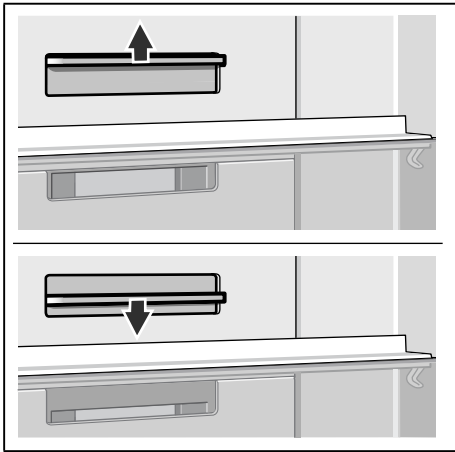
4



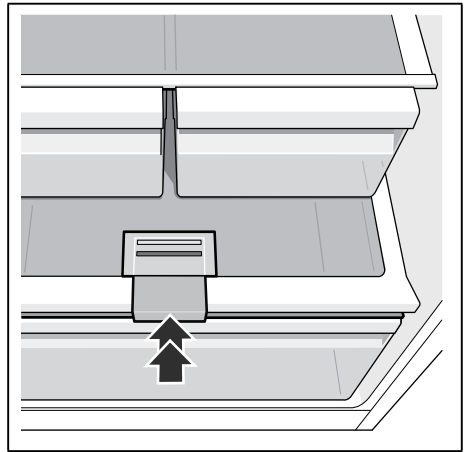
5



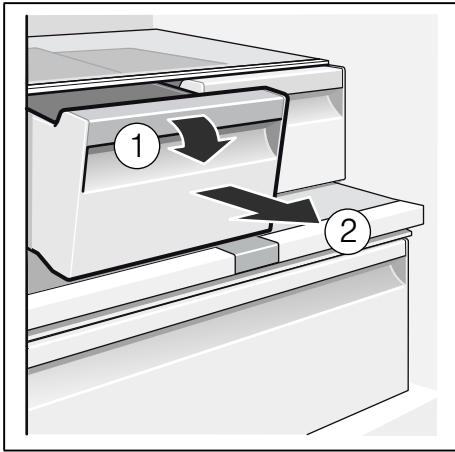
6



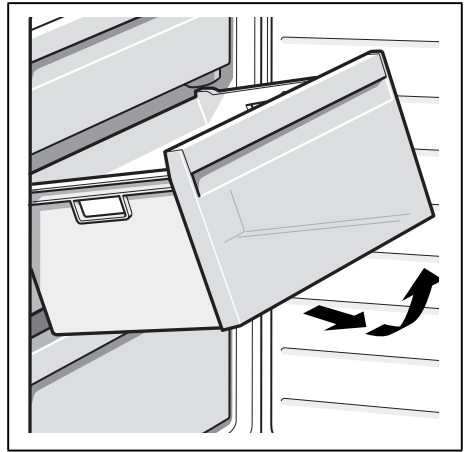
7



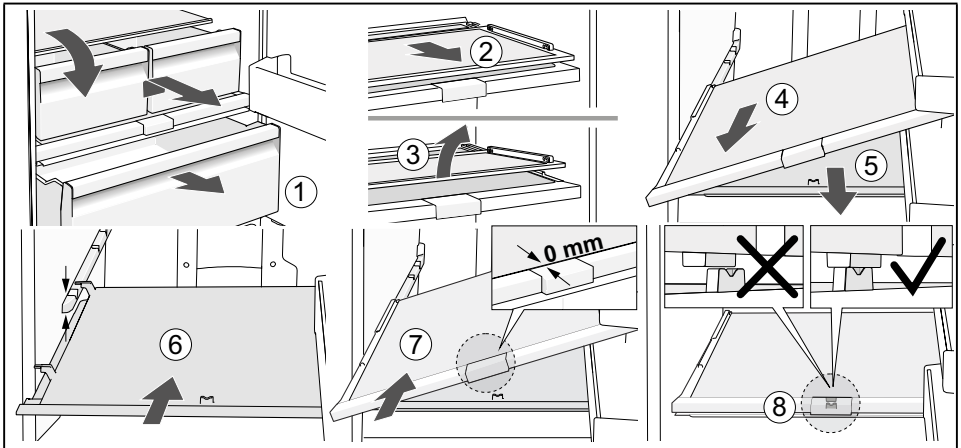
8



9



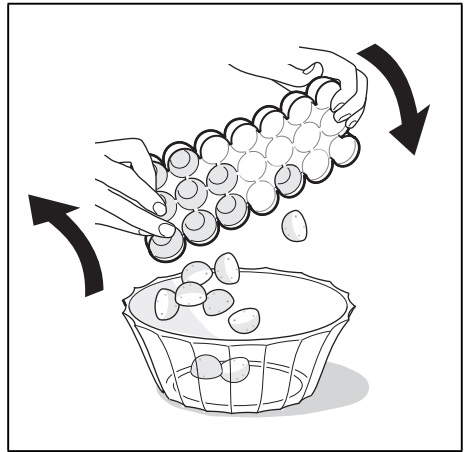
10



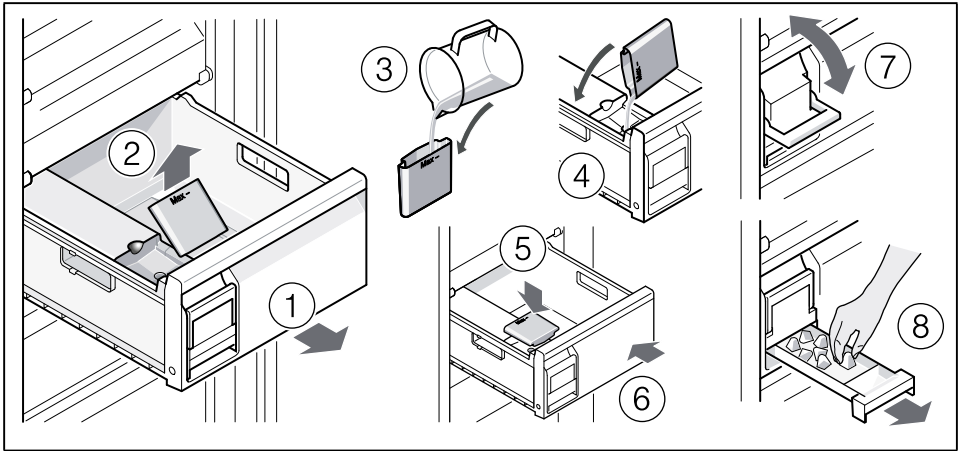
11



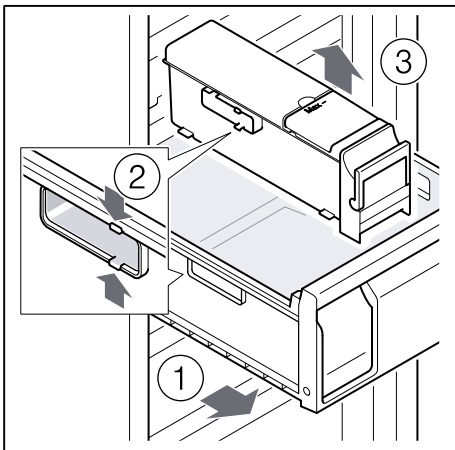
12



13



14



15



16

Robert Bosch Hausgeräte GmbH

Carl-Wery-Straße 34
81739 München, GERMANY

www.bosch-home.com



8001092478 (9712)

en, ru, el