



Register your new Bosch now:
www.bosch-home.com/welcome



B20CS30SNS



BOSCH

en Instructions for use and
installation
fr Notice d'utilisation et de
montage

es Instrucciones de uso y de
montaje

en Table of Contents	3
fr Table des matières	31
es Índice	60

en Table of contents

IMPORTANT SAFETY INSTRUCTIONS	4
Disposal information	5
Scope of Delivery	6
Installing the appliance	6
Installation dimensions	8
Door opening angle	9
Connecting the appliance	9
Fitting the doors	12
Getting to know the appliance	13
Switching on the appliance	15
Setting the temperature	15
Fast cooling function	15
Fast freezing function	16
Panel lock	16
Alarm functions	16
Temperature units	17
Energy-saving mode	17
Water filter symbol	17
Usable capacity	18
Fridge compartment	18
Freezer compartment	18
Max. freezing capacity	19
Freezing food	19
Purchasing and storing deep-frozen food	19
Thawing frozen food	19
Ice and water dispenser	20
Water filter	22
Performance Data Sheet	24
Fittings	25
Switching off and disconnecting the appliance	26
Defrosting	26
Cleaning the appliance	26
Smells	27
LED light	27
Saving energy	27
Operation noises	28
Rectifying minor faults yourself	28
Customer service	30



IMPORTANT SAFETY INSTRUCTIONS

READ AND SAVE THESE INSTRUCTIONS!

Definitions



WARNING

This indicates that death or serious injuries may occur as a result of not observing this warning.



CAUTION

This indicates that minor to moderate injuries may occur as a result of not observing this warning.

NOTICE

This indicates that damage to appliance or property may occur as a result of not observing this warning.

Note:

This alerts you to important information and/or tips.

WARNING: Before you turn on the appliance

Please read the Operating and Installation Instructions carefully, including the following. They contain important safety information and instructions for installation, use and maintenance of the appliance.

The manufacturer is not responsible if you fail to comply with the instructions and warnings. Retain all documents for subsequent use or for the next owner.

Technical safety

Improper installations and repairs may put the user at risk.

Repairs must be performed by an authorized service provider.

Only use original parts supplied by the manufacturer. Only original manufacturer supplied parts satisfy safety requirements.

If the power cord of this appliance is damaged, it must be replaced by an authorized servicer.

The appliance comes with a UL listed 3-wire Power Cord.

Never sever or remove the third (ground) conductor from the power cord.

This appliance requires a 3-wire grounded wall outlet. The wall outlet must be installed by a licensed electrician and it must be done in accordance with local codes.

Where there is a 2-wire standard wall receptacle, it is the responsibility of the customer to have this receptacle replaced with a correctly grounded 3-wire wall receptacle. Do not use any adapter plugs.

Important information when using the appliance

- Never use electrical devices inside the appliance. **Risk of explosion!**
- Never use a steam cleaner to defrost or clean the appliance. The steam may penetrate electrical parts and cause a short-circuit. **Risk of electric shock!**
- Do not use pointed or sharp-edged objects to remove frost or layers of ice. You could damage the refrigerant tubes. Leaking refrigerant may ignite or cause eye injuries.
- Do not store products that contain flammable propellants (e.g. spray cans) or explosive substances in the appliance. **Risk of explosion!**
- Do not stand or support yourself on the base, drawers or doors or other parts of the appliance. You could damage the appliance or be injured.
- To clean the appliance, pull out the power cord plug or switch off the electrical breaker or fuse! Do not pull out the power cord plug by tugging the cable.
- Bottles that contain a high percentage of alcohol must be sealed and stored in an upright position.
- Keep plastic parts and the door seals free of oil and grease. Otherwise, plastic parts and door seal will become porous.
- Never cover or block the ventilation openings for the appliance. This forces the appliance to work harder, increasing its power consumption.
- This appliance must not be used by children without adult supervision.
- Do not store bottled or canned drinks (especially carbonated drinks) in the freezer compartment. **Bottles and cans may explode!**
- Do not place popsicles or ice cubes straight from the freezer compartment into your mouth. **Risk of low-temperature burns!**
- Do not touch frozen surfaces or food in the freezer with wet hands. Skin may adhere to these extremely cold surfaces. **Risk of injury!**
- Do not scrape off frost or stuck frozen food with a knife or pointed object. You could damage the appliance or be injured.

IMPORTANT SAFETY INSTRUCTIONS

READ AND SAVE THESE INSTRUCTIONS!

Children in the household



WARNING

Risk of suffocation from cardboard boxes and plastic film! Keep packaging and packaging components away from children.

Do not allow children to play with the appliance! If the appliance features a lock, keep the key out of the reach of children.

General requirements

The appliance is suitable for:

- refrigerating food
- freezing food
- making ice
- dispensing drinking water.

This appliance is intended for use in the home and the home environment.

The refrigeration circuit has been tested for leaks before leaving the factory.

State of California Proposition 65 Warnings

This product may contain a chemical known to the State of California, which can cause cancer or reproductive harm. Therefore, the packaging of your product may bear the following label as required by California:

**STATE OF CALIFORNIA PROPOSITION 65 WARNING: /
AVERTISSEMENT ISSUE DE LA PROPOSITION 65
DE L'ÉTAT DE LA CALIFORNIE:**



**WARNING /
AVERTISSEMENT**

Cancer and Reproductive Harm / Cancer et dommages à la reproduction - www.P65Warnings.ca.gov.

Disposal information

Disposal of packaging

The packaging protects your appliance from damage during transit. All utilized materials are environmentally safe and recyclable. Please help us by disposing of the packaging in an environmentally friendly manner.

Remove all packaging materials, such as any protective films on shelves, drawers and surfaces, after installation and prior to operation of this appliance.

Remove handles from the packaging before disposal.

Please ask your dealer or inquire at your local authority about current means of disposal.

Disposal of your old appliance

Old appliances are useful! Valuable raw materials can be reclaimed by recycling old appliances.



WARNING

Risk of child entrapment!

Children can lock themselves in the appliance.

Before disposing of the old refrigerator:

Remove the doors and the freezer compartment drawer.

Leave the shelves and containers in place so that children may not easily climb inside.

Proper disposal of appliances:

1. Pull out the power plug.
2. Cut off the power cord and discard with the power plug.
3. Do not take out the trays and shelves. This helps to prevent children from climbing in!
4. Do not allow children to play with the appliance.
Could cause suffocation!

Refrigerators contain refrigerants and their insulation contains gases. Refrigerant and gases must be disposed of properly. Follow local ordinances for disposal. Ensure that the tubing of the refrigerant circuit is not damaged prior to proper disposal.



IMPORTANT SAFETY INSTRUCTIONS

READ AND SAVE THESE INSTRUCTIONS!

Scope of Delivery

After unpacking all parts, check for any damage in transit.

If there is damage, do not plug in your appliance.

Please contact the dealer.

The following parts are included:

- Free-standing appliance
- Interior fittings (depending on model)
- Bag containing installation materials
- Operating instructions
- Installation instructions
- Registration card
- Information on energy consumption and noises

Installing the appliance

Have a qualified technician install and connect the appliance according to the enclosed Installation Instructions.



WARNING

Do not install the appliance:

- outdoors,
- in an environment subject to drips of water,
- in rooms with risk of freezing temperatures.

Transporting

The appliance is heavy and must be secured during transport and installation.

The castors are provided for installation purposes only.

Do not use the castors for transporting the appliance.



WARNING

Risk of injury!

The appliance is very heavy. It can fall over and cause serious injuries during transport and installation. At least two people are required to install the appliance safely. Keep the refrigerator doors closed until the appliance is upright and level at the installation location.

Hidden surfaces may have sharp edges. During transport, wear protective gloves. Use caution when reaching behind or under appliance.

Installation location



WARNING

Risk of explosion!

Do not install the appliance near explosive or flammable substances.

A dry, well-ventilated room is suitable as an installation location. The installation location should not be exposed to direct sunlight or placed near a heat source, e.g. a cooker, radiator, etc. If installation next to a heat source is unavoidable, use a suitable insulating plate or observe the following minimum distances from the heat source:

- 1¹/₄" (3 cm) to electric or gas stoves.
- 11¹³/₁₆" (30 cm) to oil or solid fuel stoves.

To ensure that the Ice Maker functions correctly, the appliance must be upright and level.

If installing the refrigerator next to another refrigerator/freezer, there must be a minimum clearance of 1" (25 mm) between the appliances to prevent condensation.

If a panel or cupboard is installed above the appliance, ensure to leave a ¹³/₃₂" (10 mm) gap so that the appliance can be pulled out of the recess if required.

The air heated at the back of the appliance must be allowed to escape unhindered.

To ensure that the doors can open all the way, maintain the lateral minimum clearances when installing the appliance in a corner or recess (see section "Installation dimensions").

If the depth of the adjacent kitchen equipment exceeds 29¹/₈" (75 cm), maintain the minimum lateral clearances in order to utilize the full door opening angle (see section "Door opening angle").

Subsurface

NOTICE

The appliance is very heavy.
The floor on which the appliance is to be installed must be rigid. Reinforce the floor, if necessary.

Weight of appliance when empty:

Basic model 245 lb (111 kg)

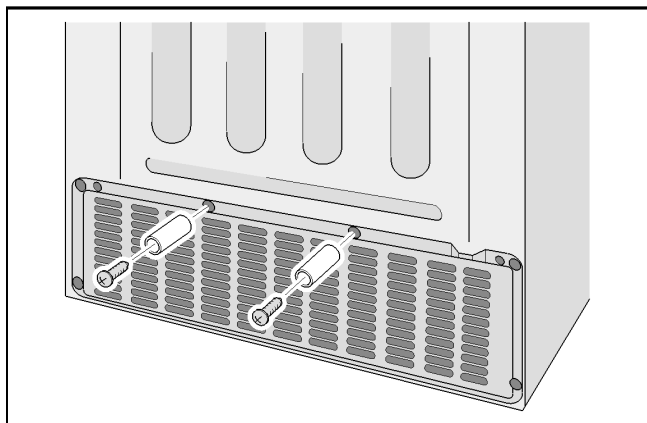
Wall clearance

If the appliance is positioned in the corner of a room or a recess, minimum clearances (see section "Installation dimensions") at the sides must be maintained so that the appliance doors can be fully opened.

If the depth of the adjacent kitchen fittings exceeds 25.6" (65 cm), minimum clearances at the sides must be maintained so that the full opening width of the doors can be utilized (see section "Door opening angle").

Minimum clearance at rear

Fix the spacers supplied to the holes provided on the rear of the appliance using the screws.



Important:

The spacers maintain the minimum clearance of 2" (50 mm) from the wall, thus providing adequate ventilation.

Observe the room temperature and ventilation requirements

Room temperature

The appliance is designed for a certain climate class. Depending on the climate class, the appliance can be operated at the following ambient temperatures.

The climate class is specified on the rating plate.

Climatic class	Permitted ambient temperature
SN	50 °F to 90 °F (+10 °C to 32 °C)
N	61 °F to 90 °F (+16 °C to 32 °C)
ST	61 °F to 100 °F (+16 °C to 38 °C)
T	61 °F to 110 °F (+16 °C to 43 °C)

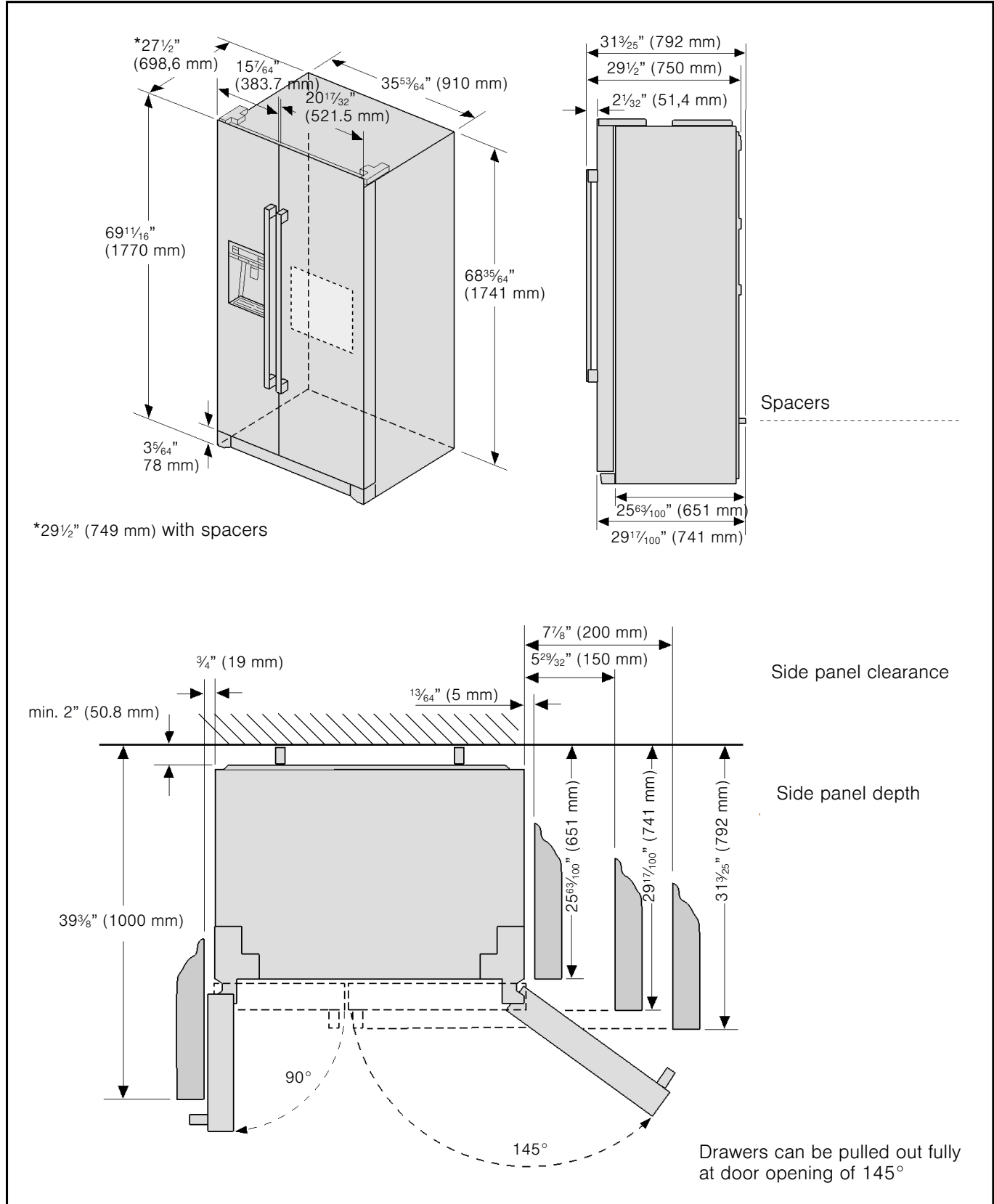
Note:

The appliance is fully functional within the room temperature limits of the specified climate class. If an appliance in the SN climate class is operated at lower ambient temperatures, damage to the appliance can be excluded up to a temperature of 41 °F (+5 °C).

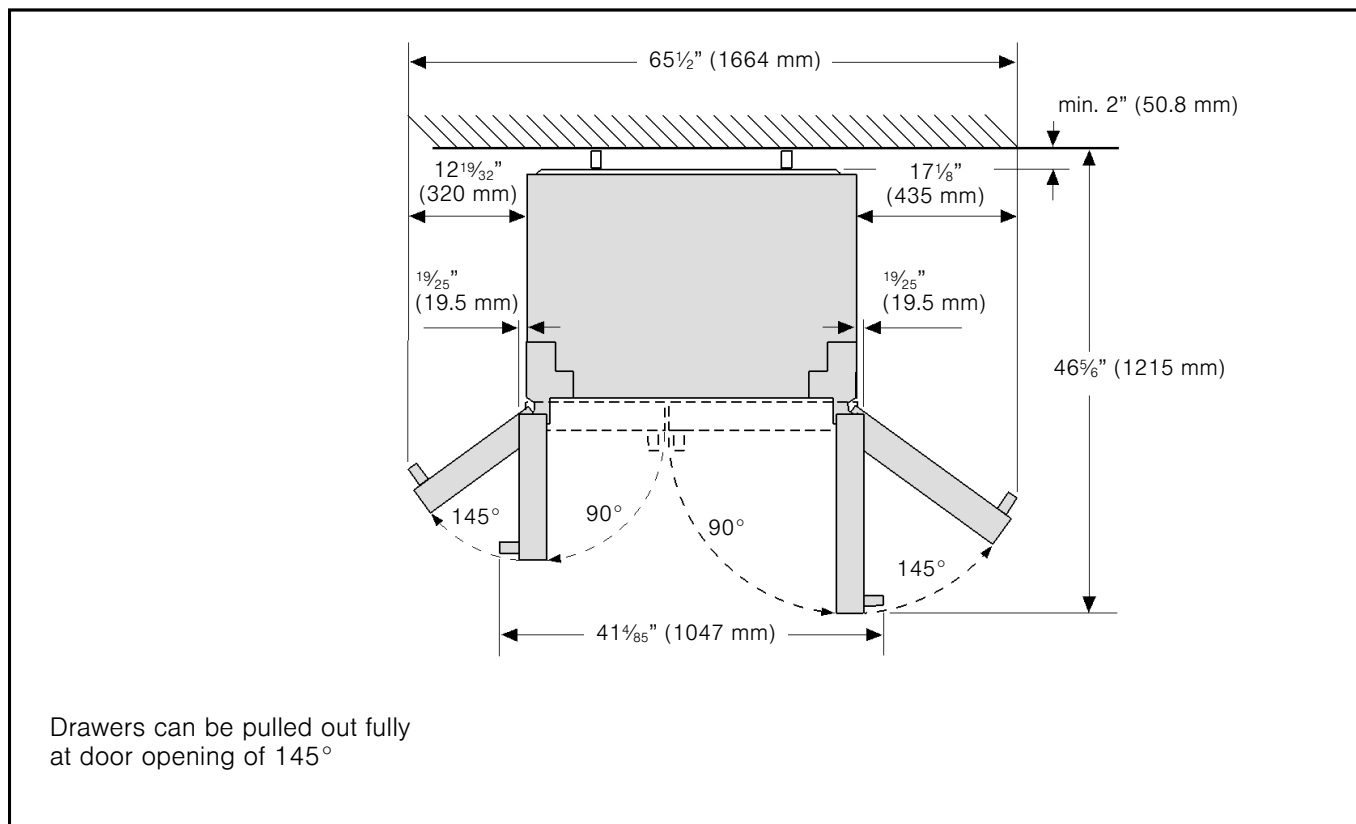
Ventilation

The heated air must be able to escape unimpeded. Otherwise, the refrigerating unit has to work harder, which increases the appliance's power consumption. Therefore, never cover over or block the air vent.

Installation dimensions



Door opening angle



Connecting the appliance

Have a technician install and connect the appliance according to the enclosed Installation Instructions.

Do not remove the transportation protection devices from the shelves and storage compartments until the appliance has been installed and aligned.

Always connect the water before the power.

Apart from statutory national regulations, you should comply with all applicable local electricity and water companies' codes and requirements.

After installing the appliance, wait at least 6 hours before switching the appliance on. During transportation the oil in the compressor may have flowed into the refrigeration system.

Before switching the appliance on for the first time, clean the interior of the appliance (see section "Cleaning the Appliance").

Water connection



WARNING

Risk of electric shock and damage to the appliance!
Disconnect the appliance from the power source before performing any work on the water connection.

Only a qualified installation technician may connect the appliance to the water supply in accordance with plumbing and relevant water utility company regulations.

Connect the appliance to a drinking water line only:

- Minimum pressure: 14.5 psi (1.0 bar)
- Maximum pressure: 116 psi (8.0 bar)



CAUTION

If the water pressure is more than 80 psi (5.5 bar), a pressure limiter valve must be fitted; otherwise there is a risk of water damage. If the water pressure is below 14.5 psi (1.0 bar), the ice-maker will not function.

Contact a plumbing professional if you are uncertain how to check your water pressure.

The water should be connected only by a competent plumber according to the local regulations of the appropriate Water Supply company.

The appliance may only be connected to a cold water pipe.

A separate Shut-Off-Valve should be installed in the cold-water inflow.

The Shut-Off-Valve should not be located behind the appliance. It is recommended that you mount the Shut-Off-Valve directly next to the appliance or at another place that is easily accessible.

When installing the water connection, pay attention to the permissible installation area for the water line.

For connection to the drinking water line use only water pipes that are suitable for drinking water. Observe national regulations and the connection conditions of the local Water Supply companies.

The taste and smell of the water can be improved by installing the filter cartridge supplied. If doing so, take note of the different connection specifications (see section "Water filter").

Note:

After the appliance has been switched on, water can drip from the water dispenser. After approx. 24 hours, when the appliance has reached its operating temperature, the dripping stops.

Electrical connection

⚠ WARNING

Risk of electric shock and fire if electrical connection is not installed properly!

Plug into a fixed, grounded 3-prong outlet only. The outlet must be installed and grounded according to code by a qualified electrician. If necessary, have the installation inspected by a qualified technician to ensure it is properly grounded.

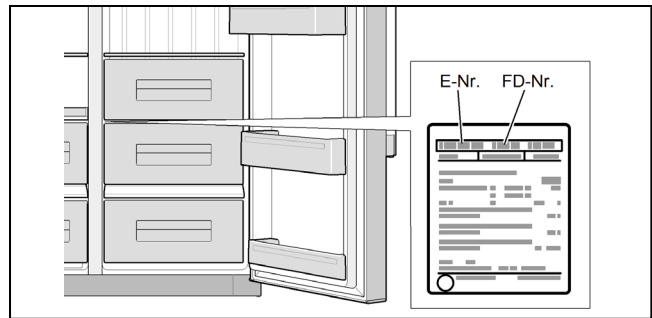
Do not use an extension cord or power strip.

Never connect the appliance to an electronic energy saver plug (such as Ecoboy, Sava Plug, etc.) or to power inverters which convert direct current (DC) to alternating current (AC) (such as for solar equipment, power supplies on ships, etc.).

The outlet for the appliance must be located close the appliance and must be easy to access also after installation.

Connect the appliance to a properly installed 115 V/60 Hz AC outlet. The fuse for the outlet must be rated either 15 A or 20 A.

If the appliance is to be used in a country other than the U.S., check the rating plate to determine if the specified voltage and current type correspond to the ratings of your power supply. If the voltage and current type do not match, the appliance must not be operated. The power cord may only be replaced by a qualified electrician.



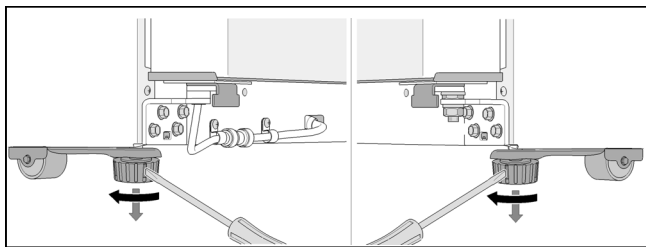
Leveling the appliance

Note:

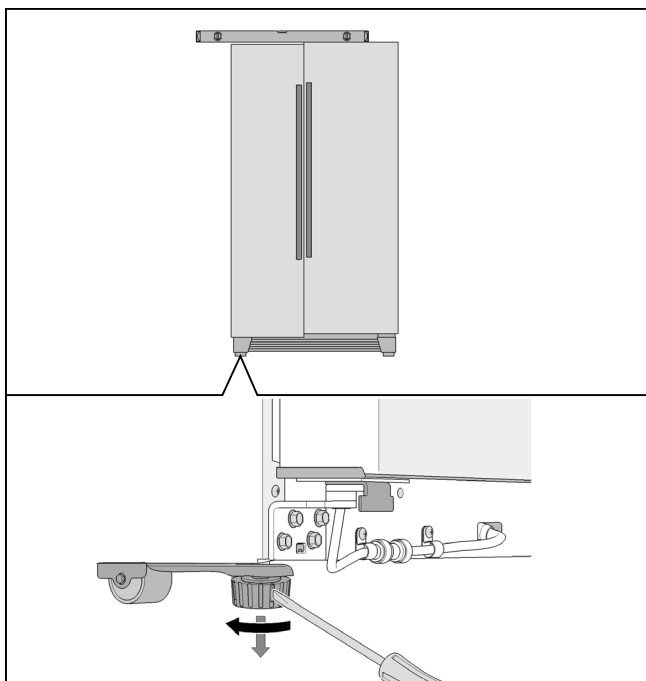
To ensure that it functions properly, the appliance must be set level using a spirit level.

If the appliance is not level, it could cause the water to run out of the ice-maker, produce unevenly sized ice cubes or prevent the doors closing properly.

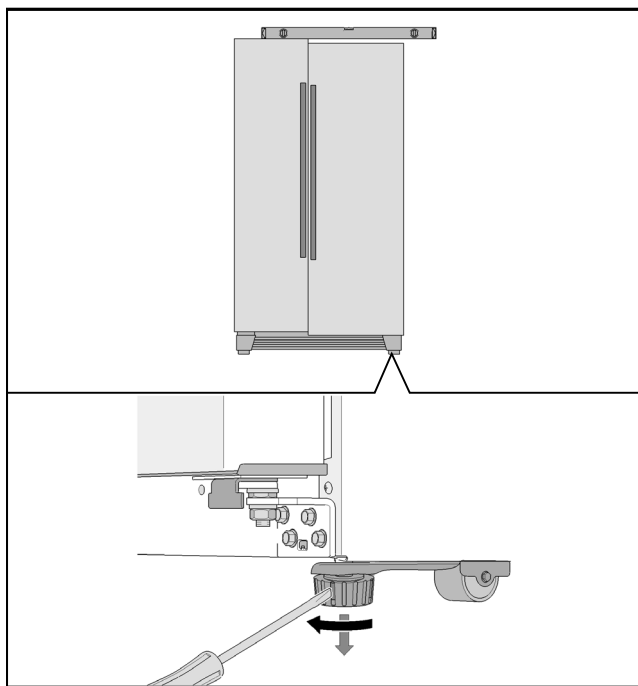
1. Move the appliance into its intended installation position.
2. So that the appliance cannot move, unscrew the two front feet until they are standing firmly on the floor.



3. Screw the feet in/out until the appliance is exactly level. Use the appliance doors as a reference point.
4. If the freezer compartment door is lower:

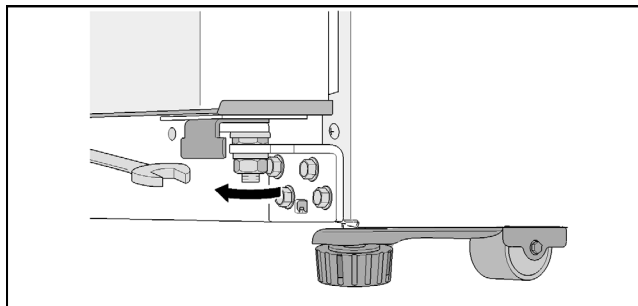


5. If the fridge compartment door is lower:

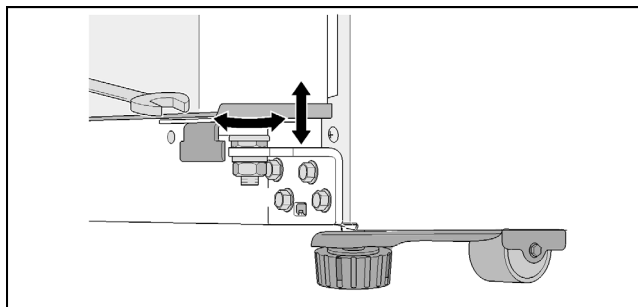


If the appliance is exactly level but one of the doors is lower than the other:

1. Open the appliance doors.
2. Unscrew the 3 screws holding the base panel and remove it.
3. Undo the nut.

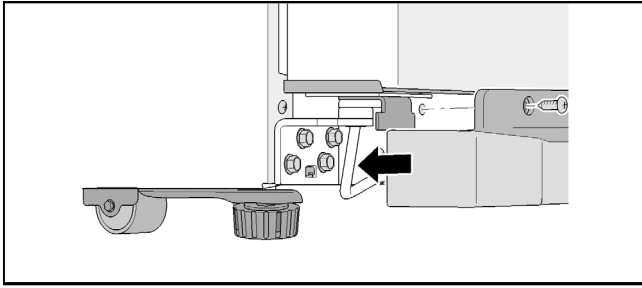


4. Turn the adjusting nut until the appliance doors are aligned.



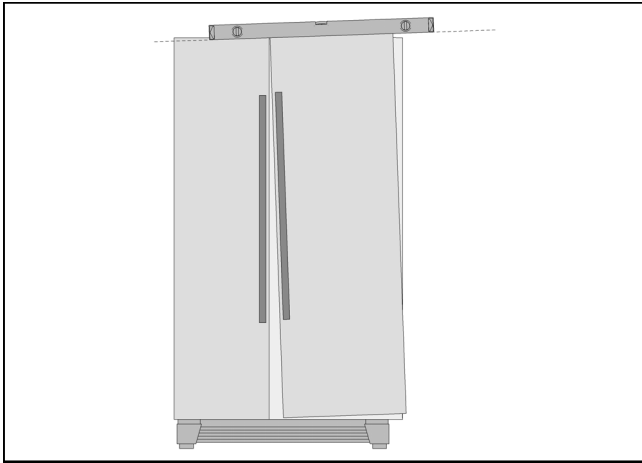
5. If the freezer compartment door is lower: Turn the adjusting nut counter-clockwise.
6. If the fridge compartment door is lower: Turn the adjusting nut clockwise.
7. Tighten the nut.

- Put the base panel back in place and secure it with the 3 screws.



Note:

Due to its own weight or when the door is filled with foodstuffs, it is possible that the fridge compartment door leans even when the appliance is standing up vertically. The door gap at the top and at the bottom is not identical.



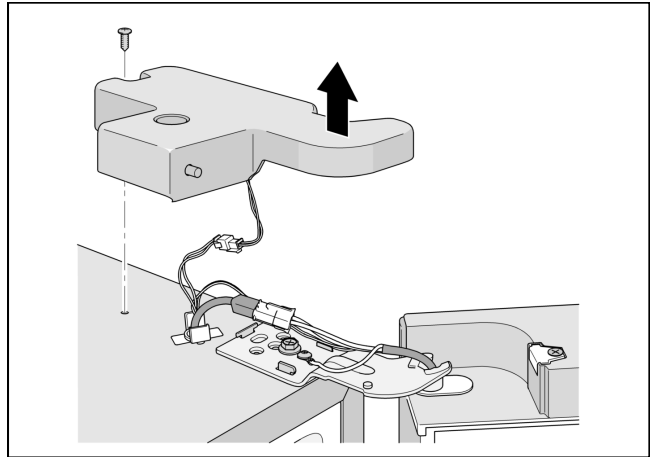
If the door gap at the top and at the bottom is not identical:



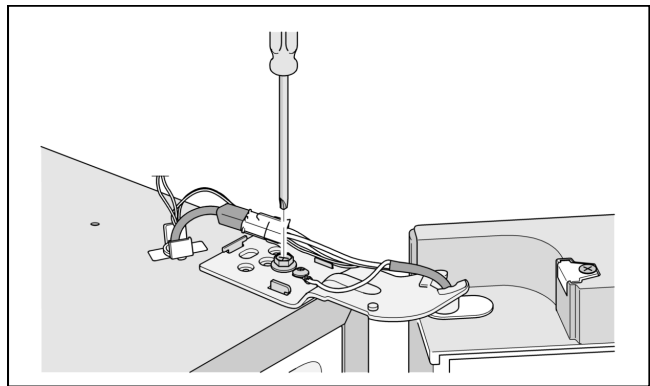
WARNING

Risk of electric shock!

Disconnect the appliance from the electricity mains before removing the top hinged cover.



- Unscrew 2 screws and remove the top hinged cover.



- Slacken the hinge screw.
Do not unscrew the screw completely!
- Adjust the fridge compartment door's vertical alignment.
- Tighten the hinge screw.
- Apply the hinged cover and fasten with 2 screws.

Fitting the doors

If the appliance is too big to fit through the doors of your home, the door handles or the appliance doors can be unscrewed.

Note:

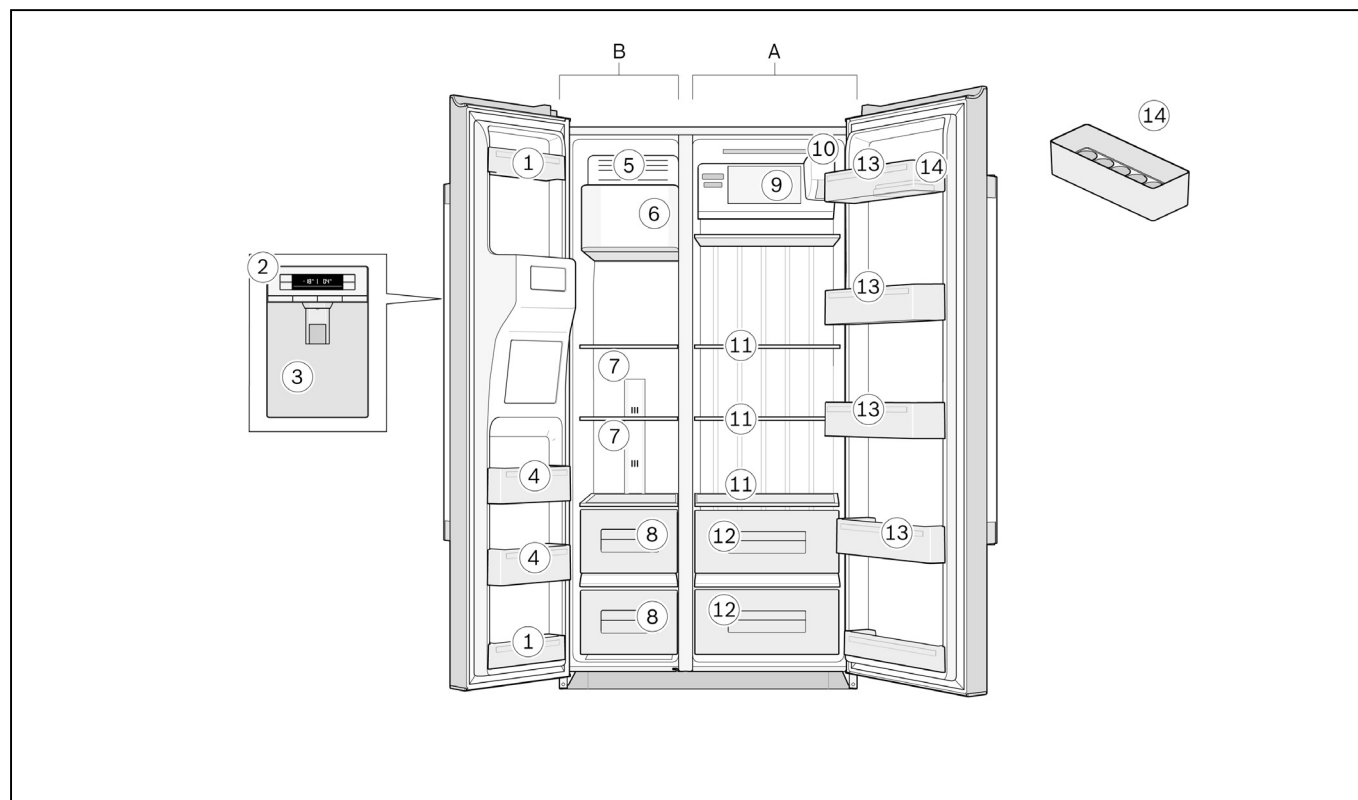
The door handles or the appliance doors may only be removed by an Authorized Service technician. Your local Customer Support center will advise you of the cost.

Getting to know the appliance

Appliance

The features of the models may vary.

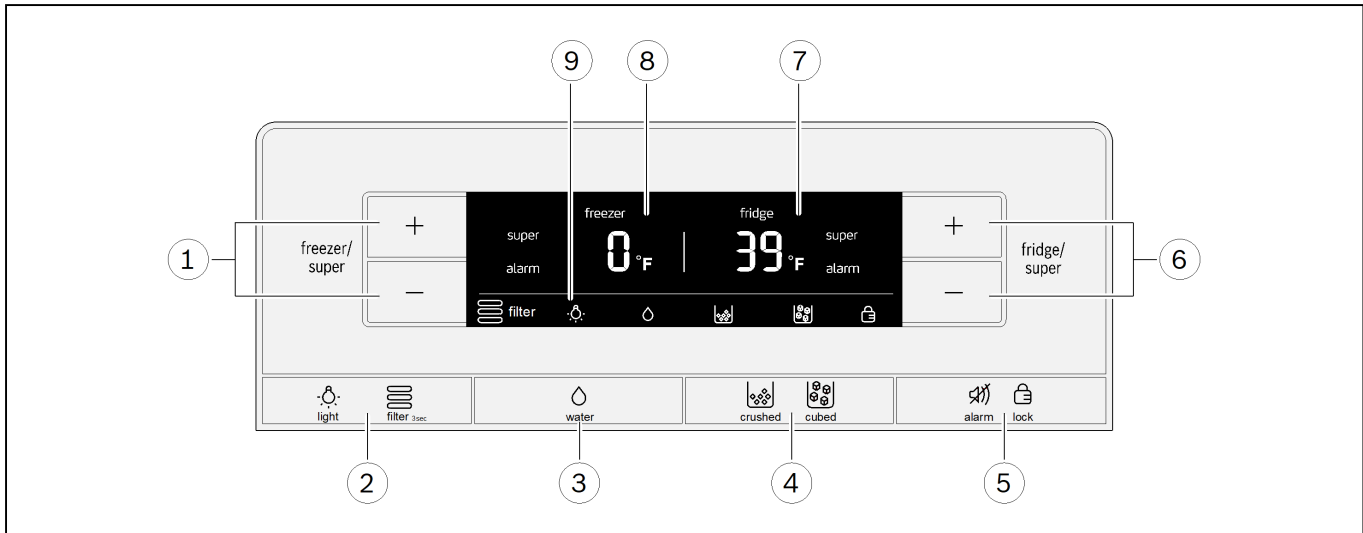
The illustrations may differ from your particular model.



- A** Fridge compartment
- B** Freezer compartment

- 1** Door pockets
- 2** Operating controls
- 3** Ice and water dispenser
- 4** Freezer door pockets
- 5** Ice-cube tray
- 6** Ice maker
- 7** Freezer compartment glass shelves
- 8** Freezer compartment drawers
- 9** Shelf
- 10** Water filter
- 11** Fridge compartment glass shelves
- 12** Multi box drawers
- 13** Fridge door pockets
- 14** Egg tray

Operating controls



1 "freezer/super" buttons

- For setting the temperature in the freezer compartment.
- For switching fast freezing function on and off.

2 "Light/Filter" button

- Switches the light for the ice/water dispenser on or off.
- Resets the filter indicator.

3 "Water" button

4 "Ice cubes/Crushed ice" button

5 "Alarm off/Lock" button

- Switches off the display of the temperature alarm.
- Switches the panel lock on or off.

6 "fridge/super" buttons

- For setting the temperature in the fridge compartment.
- For switching the fast cooling function on and off.

7 Fridge compartment display panel

- Fridge compartment temperature.
- "super" symbol shown when fast cooling function is active.
- "alarm" symbol shown when fridge compartment alarm is active.

8 Freezer compartment display panel

- Freezer compartment temperature.
- "super" symbol shown when fast freezing function is active.
- "alarm" symbol shown when freezer compartment alarm is active.

9 Symbols on the display panel



Water filter

Condition of filter cartridge.



Lighting

Ice and water dispenser light is switched on.



Water

Water dispenser function is switched on.



Crushed ice

Crushed ice dispenser function is switched on.



Ice cubes

Ice-cube dispenser function is switched on.



Panel lock

Panel lock is switched on.

Switching on the appliance

Plug the power plug into the electrical outlet socket.
The appliance will start cooling.

When the appliance is switched on for the first time, the alarm function is deactivated until the appliance has reached the set temperature. If the appliance is switched off for an extended period, the temperature alarm may be triggered when it is first switched on again.

The temperatures flash and the display panels show the "alarm" symbol until the appliance has reached the set temperatures.

By pressing the "Alarm off/Lock" button the temperature warning is switched off.

The lights come on when the appliance doors are opened.

The following temperatures are recommended by the manufacturer and pre-set at the factory:

- Fridge compartment 39 °F (4 °C)
- Freezer compartment 0 °F (-18 °C)

Notes on using the appliance

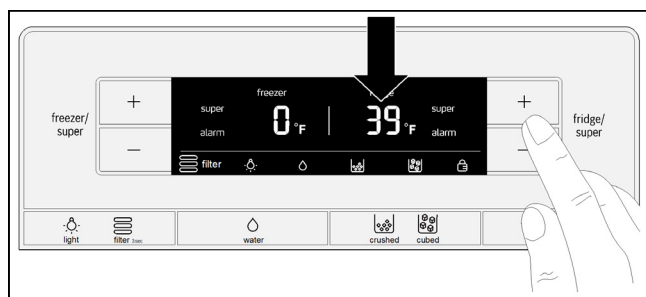
- After switching on the appliance, it may be several hours before the set temperatures are reached.
Do not put any food in the appliance before then.
- Thanks to the fully automatic NoFrost system, the freezer compartment remains free of ice. Defrosting is not required.
- Some of the casing end faces are slightly heated to prevent condensation forming in the door seal area.
- If you cannot open the freezer compartment door again immediately after closing it, wait a moment for the low pressure created to equalize.

Setting the temperature

Fridge compartment

The temperature can be adjusted between 33 °F (1 °C) up to 45 °F (7 °C).

Repeatedly press the "fridge/super +" or "fridge/super -" button until the desired fridge compartment temperature is set.

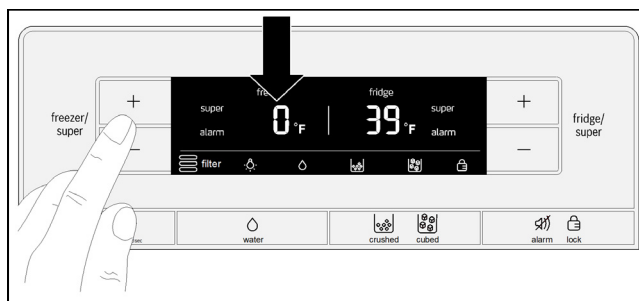


The temperature last set is saved. The set temperature is shown on the fridge compartment display panel.

Freezer compartment

The temperature can be adjusted between 4 °F (-16 °C) up to -8 °F (-22 °C).

Repeatedly press the "freezer/super +" or "freezer/super -" button until the desired freezer compartment temperature is set.



The temperature last set is saved. The set temperature is shown on the freezer compartment display panel.

Fast cooling function

Super cooling cools the refrigerator compartment down as low as possible for approximately 40 minutes. The temperature is then automatically reset to 39 °F (4 °C). Super cooling is particularly recommended for the following:

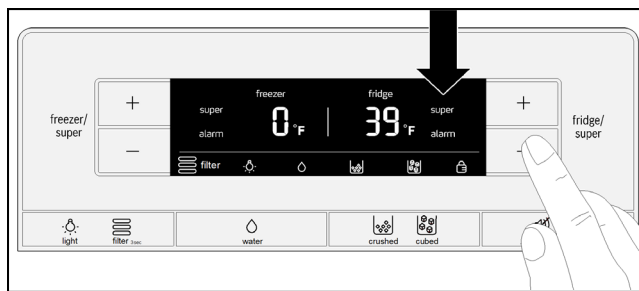
- Before placing large quantities of food in the refrigerator compartment.
- To cool drinks quickly.

Note:

When fast cooling is switched on, the appliance may make more noise.

Switching on

Press the "fridge/super -" button until "super" appears on the right on the display panel.



Switching off

Press the "fridge/super +" button.

Note:

The display panel no longer shows "super". The temperature setting automatically reverts to 39 °F (4 °C).

Fast freezing function

Food should be frozen thoroughly as quickly as possible. This ensures that vitamins, nutritional values, the look and the taste of the food is retained.

Switch on fast freezing a few hours before placing fresh food in the freezer in order to prevent a drop in temperature.

In general, 4 - 6 hours is sufficient.

When the function is switched on, the appliance operates continuously. As a result, a very cold temperature in the freezer compartment is achieved.

Fast freezing automatically switches off after about 48 hours.

If the maximum freezing capacity is to be used, fast freezing should be switched on 24 hours before placing the fresh food in the freezer.

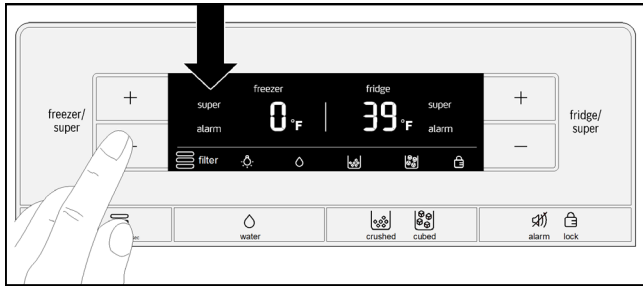
Small quantities of food for freezing (up to 4.5 lb (2 kg)) can be frozen without using the fast freezing function.

Note:

When fast freezing is switched on, the appliance may make more noise.

Switching on

Press the "freezer/super -" button until "super" appears on the left on the display panel.



Switching off

Press the "freezer/super +" button.

Note:

The display panel no longer shows "super". The temperature automatically switches back to the temperature set before the "Fast freezing" function was activated.

Panel lock

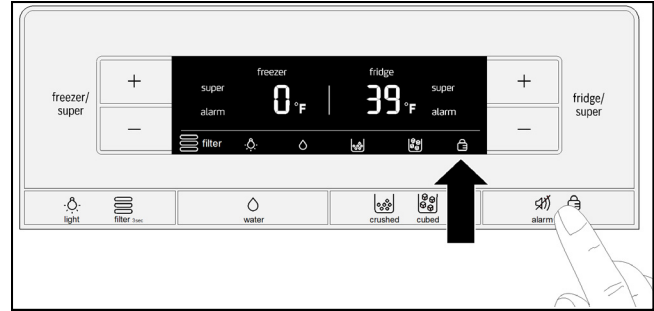
When the panel lock is activated, all of the buttons on the control and display panel are locked.

Note:

When the panel lock is activated, use the "Alarm off/Lock" button to switch off the warning signal.

Switching on

Press the "Alarm off/Lock" button.



The display panel shows the "Panel lock" symbol.

Switching off

Press and hold the "Alarm off/Lock" button for 3 seconds.

Alarm functions

Door alarm

The door alarm switches on if one of the appliance doors is open for longer than one minute. The warning sound repeats every 60 seconds for a period of 5 minutes. Closing the door switches off the warning sound.

Temperature alarm

The display panel shows the temperature alarm if the fridge or freezer compartment becomes too warm and the food is at risk.

The relevant display panel shows the highest temperature and "alarm".

Fridge compartment

If the temperature in the fridge compartment has become too high, before eating any food that has got warm, make sure you heat it through properly. If in doubt, do not use raw food.

Freezer compartment

Do not refreeze defrosted food. It can only be refrozen after it has been made into a ready-to-eat meal (cooked or roasted).

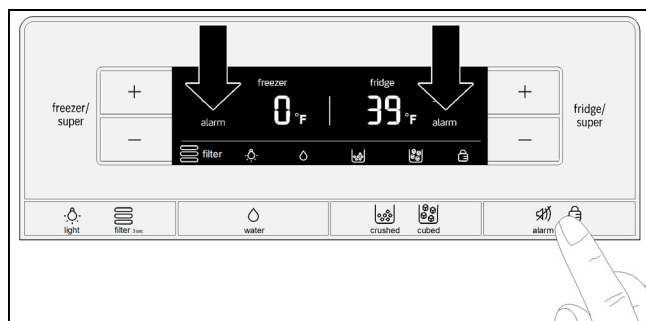
Do not then leave the food in the freezer for the maximum storage period.

Without any risk to the frozen food, the alarm may be triggered:

- when the appliance is first used.
- when putting large quantities of fresh food in the freezer.
- if the freezer compartment door is left open for too long.

Switching off the alarm

Press the "Alarm off/Lock" button.



Note:

As soon as the set temperature is reached again, the display stops showing "alarm".

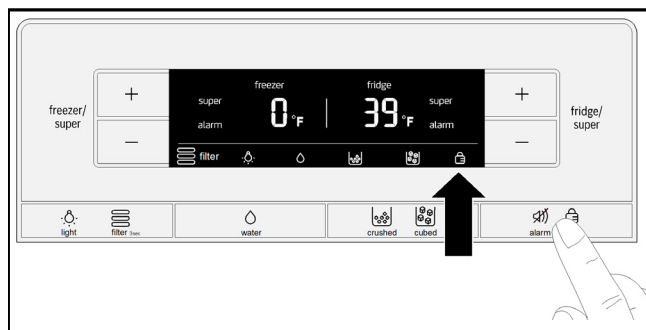
Temperature units

The temperature can be displayed in degrees Celsius (°C) or Fahrenheit (°F).

When the appliance is first switched on, the display panel shows the temperature in degrees Fahrenheit (°F).

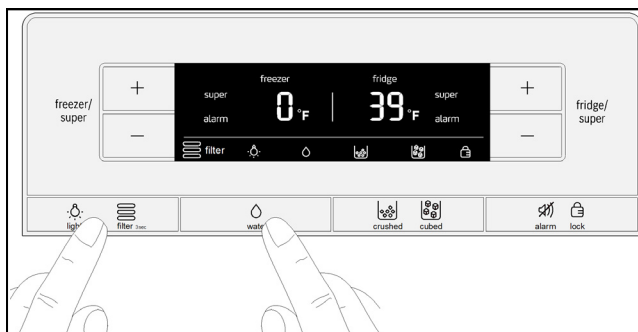
Setting

1. Press the "Alarm off/Lock" button.



The display panel shows the "Panel lock" symbol.

2. Simultaneously press and hold the "Light/Filter" and "Water" buttons for 10 seconds.



The temperature units change.

Energy-saving mode

20 seconds after the doors are closed or the last button is pressed, the display panel switches to energy-saving mode. The display panel switches off and leaves only the words "freezer" and "fridge" and the symbol for the selected dispenser mode (water, ice cubes or crushed ice) dimly illuminated.

As soon as a door is opened or a button pressed, the display panel switches on and returns to the normal brightness.

Water filter symbol

This symbol indicates how long the filter cartridge can still be used.



Up to six months



Up to four months



Up to two months



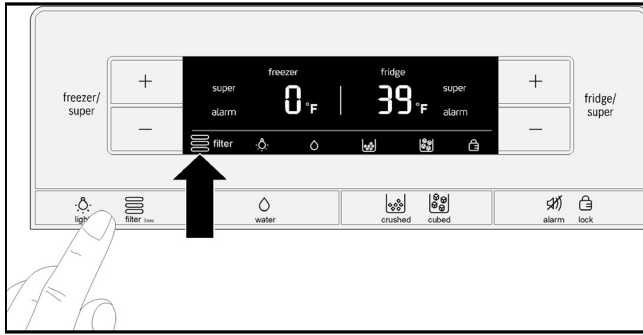
Up to 10 days:
the three bars of the symbol start flashing.
Change the filter cartridge.

Note:

Even though the appliance is off or disconnected, the water filter indicator does not reset.

After changing the filter cartridge, reset the water filter indicator as follows:

Press and hold the "Light/Filter" button for 3 seconds.



The symbol will then stop flashing.

Usable capacity

Using the entire freezing capacity

To accommodate the maximum quantity of frozen food, you can remove all of the fittings from inside the appliance. You can then stack the food directly on the shelves and the bottom of the freezer compartment.

How to remove and refit the fittings is described in the section headed Fittings.

Fridge compartment

The fridge compartment is the perfect place for keeping ready meals, bread and pastries, jams and preserves, condensed milk and hard cheeses.

When placing food in the fridge, follow these guidelines:

- Keep fresh, untouched food in the fridge. In that way it will keep longer and stay fresher.
- In the case of ready-made products and packaged foods and liquids, pay attention to the manufacturer's specified best-before or use-by date.
- In order to maintain flavor, color and freshness, keep food well packed or covered over. That also prevents flavors from mixing and the plastic parts from becoming discolored in the fridge compartment.
- Allow warm food and beverages to cool before putting them into the appliance.

Note:

Keep food from coming into contact with the rear panel. Otherwise, the air circulation will be impaired. Food or packaging could also become frozen to the rear panel.

Pay attention to the temperature zones in the fridge compartment

The air circulation produces different temperature zones in the fridge compartment:

- The coldest zones are close to the rear panel.
- The warmest zone is at the very top of the door.

Note:

Keep items such as hard cheese and butter in the warmest zone. That will allow the cheese to continue developing its flavor and the butter will remain spreadable.

Freezer compartment



WARNING

Risk of explosion!

Never store products containing flammable propellants (such as spray cans) or explosive or easily combustible substances in the appliance.

NOTICE

Make sure that the freezer compartment door is always kept closed. The frozen food will thaw if the freezer compartment door is open. The freezer compartment will become covered with thick ice. Also: Energy will be lost due to high power consumption.

When the freezer compartment door is closed, low pressure occurs inside the compartment.

If you cannot reopen the freezer compartment door right away, wait two to three minutes until the low pressure has adjusted itself.

Use the freezer compartment to

- store deep-frozen food
- freeze food
- make and store ice cubes.

Max. freezing capacity

Conditions for use of max. freezing capacity

- Switch on the fast freezing function before placing the food in the freezer (see section "Fast freezing function").
- Remove the freezer compartment fittings.
- Stack the food directly on the shelves and the bottom of the freezer compartment.

Note:

Do not cover over the ventilation slots in the rear panel with the food you are freezing.

- Preferably, large quantities of food for freezing should be placed in the top compartment. There it will freeze quickly and, therefore, without adversely affecting the food quality.

Freezing food

Freeze fresh and undamaged food only. Separate food to be frozen from food that is already frozen. Place food in airtight containers to prevent it from losing its flavor or drying out.

How to wrap food correctly

- Make sure the packaging is not damaged.
- Check the "sell by" date.
- Seal the packaging.
- Label the package with the contents and date.

Items not suitable for wrapping food:

Wrapping paper, greaseproof paper, cellophane, garbage bags and used shopping bags.

Items suitable for wrapping food:

Plastic film, polyethylene blown film, aluminum foil and freezer cans.

These products can be purchased from your retailer.

Items suitable for sealing wrapped food:

Rubber bands, plastic clips, string, cold-resistant adhesive tape or similar items.

Bags and polyethylene blown film can be sealed with a film sealer.

Storage life of frozen food

The storage life depends on the type of food.

At a temperature of 0 °F (-18 °C):

- Fish, sausage, ready meals and cakes and pastries:
up to **6 months**
- Cheese, poultry, meat:
up to **8 months**
- Fruit and vegetables:
up to **12 months**

Purchasing and storing deep-frozen food

Follow these guidelines when purchasing deep-frozen food:

- Place food in packaging.
- Press out any air.
- The temperature of the supermarket freezer should be lower than 0 °F (-18 °C). If not, this shortens the storage life of the frozen food.
- Pick up deep-frozen food last when shopping. Wrap in newspaper or place in a cold bag and take home.
- At home, immediately place deep-frozen food in the freezer compartment. Use the deep-frozen food before the "sell by" date.

Thawing frozen food



CAUTION

Risk of poisoning!

Do not refreeze food that is beginning to thaw or has already thawed. The food cannot be refrozen until it has been prepared (boiled or fried). Do not store these refrozen products for the maximum storage period.

Depending on the type of food and its intended use, frozen food can be thawed as follows:

- at room temperature
- in the refrigerator
- in an electric oven with/without fan-assisted hot air
- in the microwave.

Ice and water dispenser

The following may be dispensed as necessary:

- cooled water
- crushed ice
- ice cubes



WARNING

Risk of injury from broken glass!
Never use fragile glassware to catch ice when dispensed.



WARNING

Risk of injury from rotating crusher blades!
Never reach into the ice cube dispenser opening.

NOTICE

Risk of damage to the appliance!
 Do not place bottles or food in the ice cube container in order to cool them quickly. The ice maker may become blocked and damaged.

When switching on the appliance, note the following

The ice and water dispenser only works when the appliance is connected to the water supply.

After the appliance has been switched on, it will take 24 hours before the first batch of ice cubes are ready.

When the appliance is connected, air bubbles will still be in the lines.

Extract the drinking water and discard until water can be dispensed without bubbles. Discard the first five glasses of water.

When using the ice maker for the first time, discard the first 30 to 40 ice cubes. Do not use ice cubes for hygienic reasons.

Operating the ice maker

Once the freezer compartment has reached its freezing temperature, water flows into the ice maker and freezes into ice cubes. The ice cubes are automatically discharged into the ice cube container when they are ready.

After the appliance is first switched on, it takes roughly 24 hours for the first portion of ice cubes to be produced.

The sides of the ice cubes may occasionally stick together. They usually break away from each other as they move to the dispenser opening.

Ice making switches off automatically when the ice cube container is full.

The ice maker can make approximately 140 ice cubes within 24 hours when ice cubes are discharged several times during the day.

As the ice cubes are being made, the sound of the buzzing water valve, the water flowing into the ice storage bin and the falling ice cubes can be heard.

Drinking water quality



CAUTION

The water filter included with the appliance only filters out particles from the supplied water and does not filter out bacteria or microbes.

All materials used in the water dispenser are odorless and tasteless.

If the water has an aftertaste, this may be caused by:

- Mineral and chlorine content in the drinking water
- Materials from which the domestic water line or connection line are made
- Freshness of the drinking water. If water has not been dispensed for an extended period of time, the water may have a "stale" taste. In this case, dispense approx. 15 glasses of water and discard.

Note:

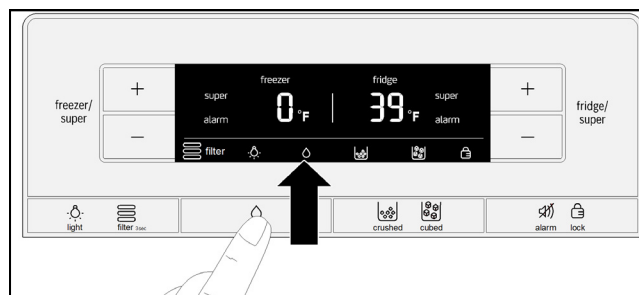
Rinse the water system that is connected to the water inlet if no water has been dispensed in the last five days.

The taste and smell of the water can be improved by installing the included filter cartridge at the water intake point.

We recommend that you regularly draw off a certain amount of water from the water dispenser and do not switch the appliance off. This will maintain the best water quality.

Dispensing water

1. Press the "Water" button. The display panel shows the "Water" symbol.



2. Press a glass or container against the dispenser lever until the glass is filled with the desired amount of water.



Note:

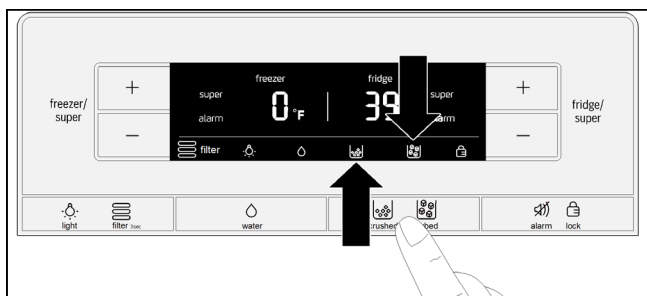
The water from the water dispenser is cooled to a pleasant temperature for drinking. If you prefer the water to be colder, dispense some ice cubes into the glass before drawing the water.

Dispensing ice

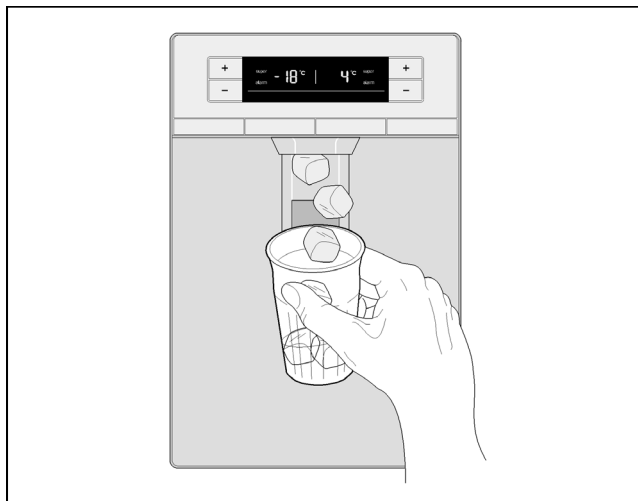
Only hold the container against the dispenser lever until the container is half full of ice. Otherwise, the ice in the ice-cube dispenser spout may cause the container to overflow or block the ice cube dispenser spout.

If crushed ice was dispensed before dispensing ice cubes, there may still be some crushed ice in the dispenser spout. It will come out together with the first few ice cubes.

1. Press the "Ice cubes/Crushed ice" button until the display shows the "Ice cubes" or "Crushed ice" symbol.



2. Press a suitable glass or container against the dispenser lever until it is filled with the desired amount of ice.



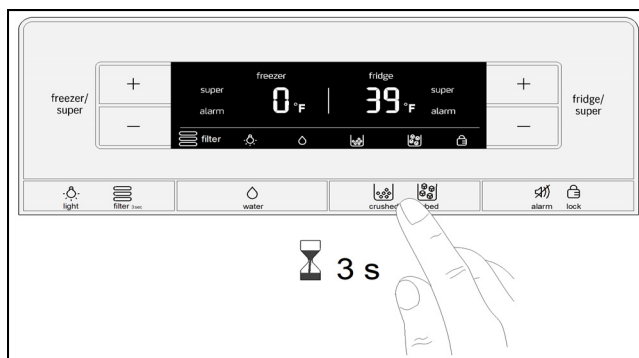
Switching off the ice-maker

Note:

It is imperative to turn off the water supply to the appliance several hours before switching off the ice-maker.

If you do not expect to be using the ice-maker for longer than 1 week (e.g. when going on holiday), the ice-maker should be temporarily switched off to stop the ice cubes freezing together.

1. Press and hold the "Ice cubes/Crushed ice" button for 3 seconds.



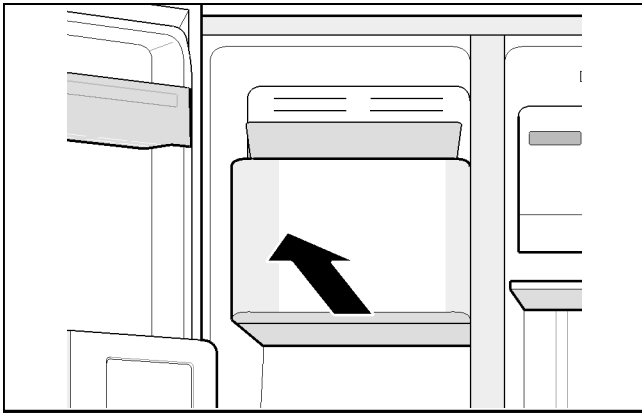
In the display, the symbols "Ice cubes", "Crushed ice" and "Lock" flash for approx. 3 seconds.

Then the water dispensing is switched on and the symbol "Water" lights up.

Note:

When the "Ice cubes/Crushed ice" button is pressed, when the ice-maker is switched off, an alarm sounds and the symbols "Ice cubes", "Crushed ice" and "Lock" flash for approx. 3 seconds.

2. Pull out the ice-cube container.



3. Empty the ice-cube container and clean it.
4. Push the ice-cube container all the way back on the runners until it snaps into place.

Switching on the ice-maker

Press and hold the "Ice cubes/Crushed ice" button for 3 seconds.

An alarm sounds as soon as the ice-maker is switched on.

Water filter



WARNING

In localities where the water quality is not ideal or not known, do not use the appliance without suitable means of disinfection on the inlet and outlet side of the filter.

Filter cartridges for the water filter can be obtained from Customer Support.



CAUTION

- After fitting a new filter cartridge, always throw away the first 24 hours' worth of ice produced after switching on the ice-maker.
- If the ice has not been used for an extended period, throw away all the ice cubes in the ice-cube container as well as the ice produced over the next 24 hours.
- If the appliance has not been used or no ice has actually been dispensed for several weeks or months, or if the ice cubes have an unpleasant taste or smell, change the filter cartridge.
- Air trapped in the system can cause water to spurt out and eject the filter cartridge. Take care when removing it.
- The filter cartridge must be replaced at least every 6 months.

Important notes on the water filter

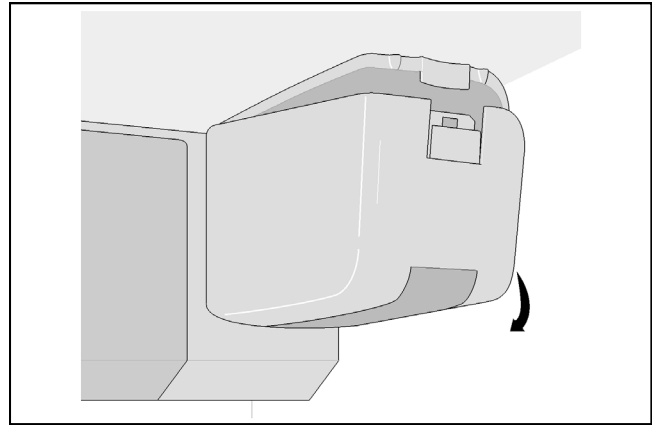
- After use, the water system is slightly under pressure. Take care when removing the filter cartridge.
- If the appliance has not been used for the last 5 days or the water has an unpleasant taste or smell, flush the water system through. To do so, draw water from the dispenser continuously for 5 minutes. If the unpleasant taste or smell persists, change the filter cartridge.

Changing the filter cartridge

After six months has elapsed, the water filter symbol starts flashing as a prompt to change the filter cartridge (see section "Water filter symbol").

The filter cartridge must be replaced after six months at the latest.

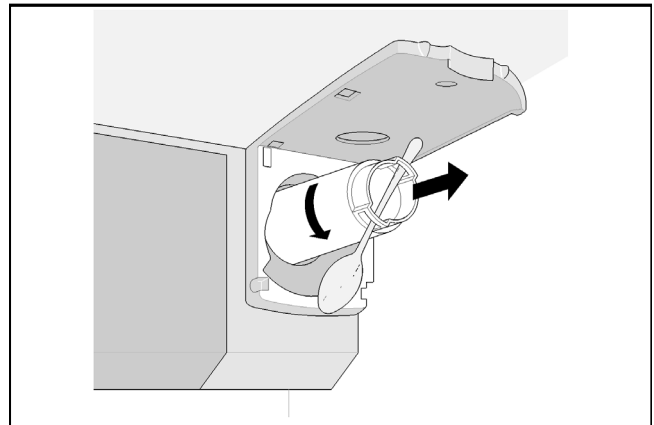
1. **Caution!** Unplug the appliance from the mains or switch off the circuit-breaker.
2. Turn off the water supply to the appliance.
3. Press the button and remove the lid.



Note:

Take care when removing the filter cartridge. The water system is slightly under pressure after use.

4. Carefully turn the filter cartridge 90° counter-clockwise e.g. with a spoon and pull it out.

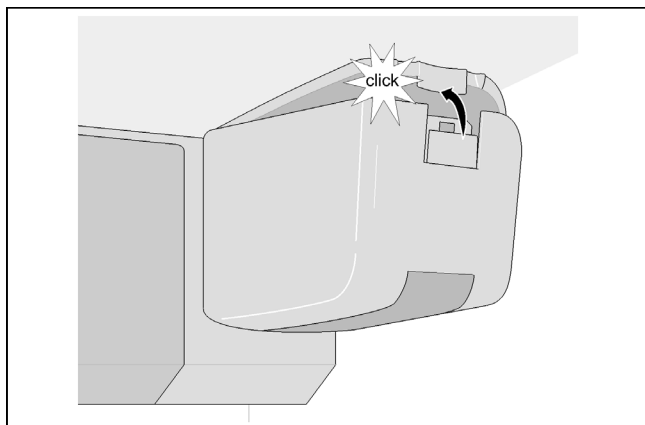


5. Take the new filter cartridge out of its packaging and remove the safety cap.
6. Insert the new filter cartridge and carefully turn it 90° clockwise as far as the stop e.g. with a spoon.

Note:

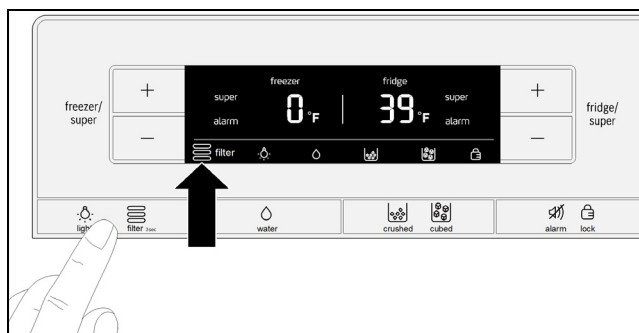
The filter cartridge must be tightened by hand so that no leaks are created and that the appliance is correctly supplied with water.

7. Refit the lid and snap it into place.

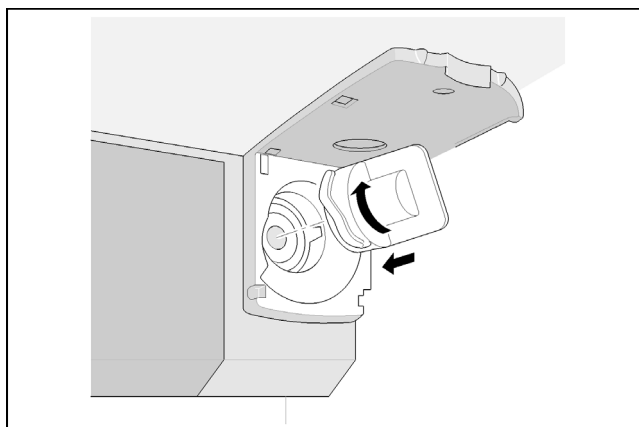


8. Turn on the water supply to the appliance.
9. Switch on the appliance.
10. Dispense and dispose of water for five minutes via the water dispenser.

11. Pour the water out of the old filter cartridge. The filter cartridge can be disposed of together with the normal household waste.
12. Press and hold the "Light/Filter" button for 3 seconds. That resets the water filter indicator. The symbol will then stop flashing. The new filter has now been activated.

**Note:**

The ice and water dispenser can also be used without a water filter. In that case, fit the cover cap.



Performance Data Sheet

Model 9000 777508, 9000 705475 and 9000 225170

Use Replacement Cartridge 9000 674655.

The concentration of the indicated substances in water entering the system was reduced to a concentration less than or equal to the permissible limit for water leaving the system as specified in NSF/ANSI Standard 42 and Standard 53.



System tested and certified by NSF International against NSF/ANSI Standard 42 and Standard 53 for the reduction of the claims specified on the Performance Data Sheet.

Capacity 739.68 Gallons (2800 Liters)

Contaminant Reduction Determined by NSF testing.

Contaminant Reduction	Average Influent	NSF specified Challenge Concentration	Avg % Reduction	Average Product Water Concentration	Max Permissible Product Water Concentration	NSF Reduction Requirements	NSF Test Report
Chlorine Taste and Odor	2,1 mg/l	2,0 mg/L ± 10 %	97.6 %	0.05 mg/L	N/A	≥ 50 %	J-00121313
Nominal Particulate Class I, ≥ 0,5 to < 1,0 µm	9.100.000 pts/ml	At least 10.000 particles/mL	98.8 %	111,817 pts/ml	N/A	≥ 85 %	J-00099871
Cyst*	170.000 cysts/l	Minimum 50.000 cysts/l	99.99 %	0.001 cyst/L	N/A	≥ 99.95 %	J-00109715

* Based on the use of *Cryptosporidium parvum* oocysts

Application Guidelines/Water Supply Parameters	
Service Flow	0.75 gpm (2.83 lpm)
Water Supply	Potable Water
Water Pressure	30 - 120 psi (207 - 827 kPa)
Water Temperature	33 °F - 100 °F (0.6 °C - 38 °C)

It is essential that the manufacturer's recommended installation, maintenance and filter replacement requirements be carried out for the product to perform as advertised. See Installation Manual for Warranty information.

Note: While the testing was performed under standard laboratory conditions, actual performance may vary.

Replacement Cartridge: 9000 674655. For estimated costs of replacement elements please contact your local dealer or call 1-800-578-6890.

NOTICE

To reduce the risk associated with property damage due to water leakage or flooding:

- Read and follow all Instructions before installation and use of this system.

To reduce the risk of water leakage or flooding, and to ensure optimal filter performance:

- Change the disposable filter cartridge every six months or sooner if you observe a noticeable reduction in water flow rate.
- Failure to replace the disposable filter cartridge at recommended intervals may lead to reduced filter performance and cracks in the filter housing, causing water leakage or flooding.

⚠ WARNING

To reduce the risk associated with ingestion of contaminants:

- Do not use with water that is microbiologically unsafe or of unknown quality without adequate disinfection before and after the system. Systems certified for cyst reduction may be used on disinfected water that may contain filterable cysts.

EPA Establishment Number 10350-MN-005

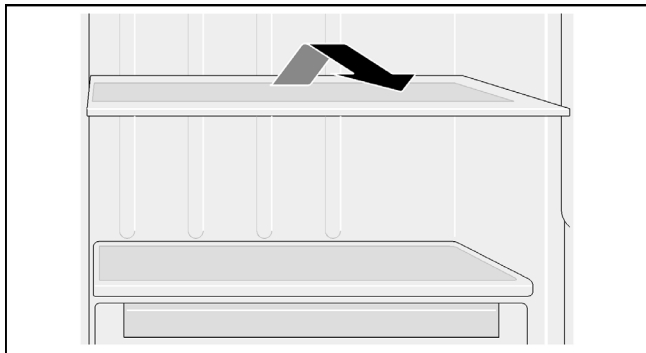
Fittings

Glass shelves

The glass shelves can be removed and fitted at different heights.

Removing

Lift the glass shelf at the back and pull it out.



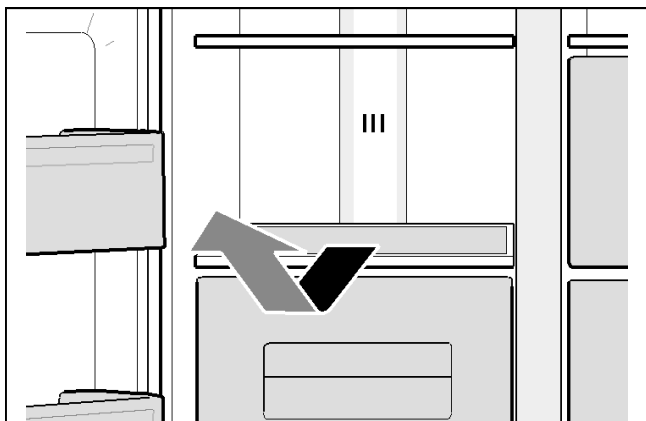
Inserting

Slide the glass shelf backwards on the guide rails until it snaps downwards into place.

Glass shelves over the drawers

The glass shelves can be removed.

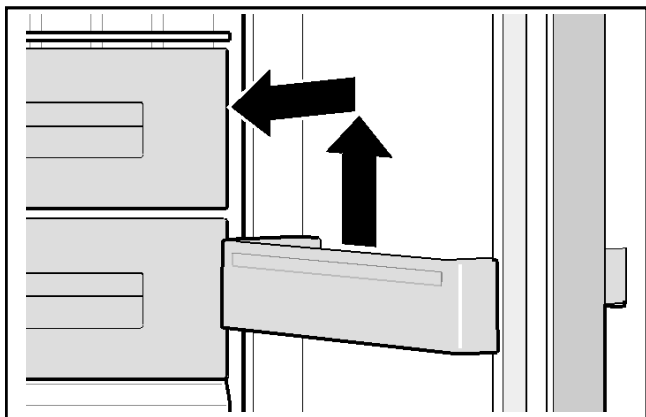
Pull the shelf out and lift it upwards to remove it.



Door pockets

The door pockets can be removed.

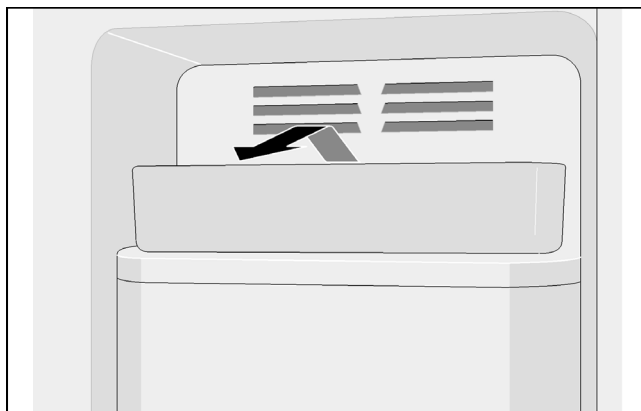
Pull the door pockets upwards to remove.



Ice-cube tray

The ice-cube tray is for keeping ice cubes in.

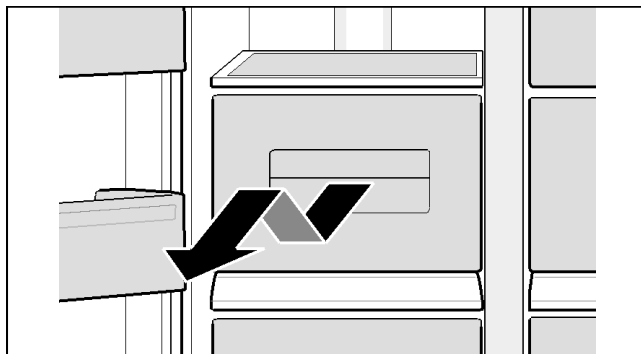
Lift the ice-cube tray slightly at the front and unhook it.



Drawers

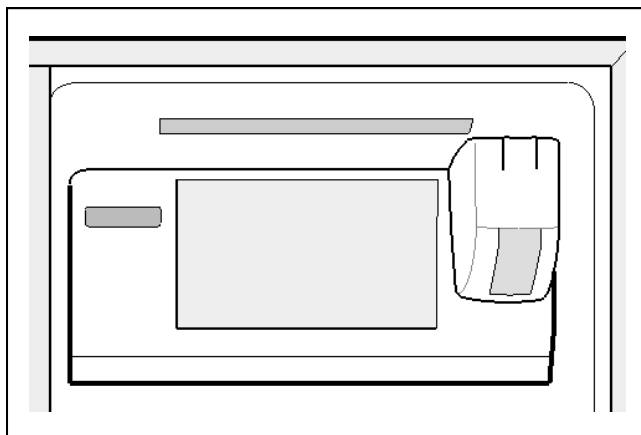
The drawers can be removed.

Pull the drawer out as far as the stop, lift it at the front and remove it completely.

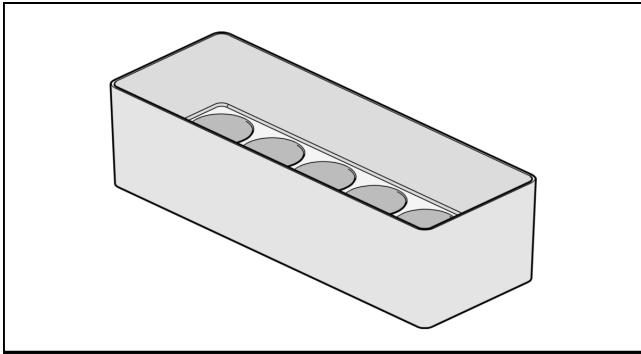


Shelf

For holding drinks cans.



Egg tray



Switching off and disconnecting the appliance

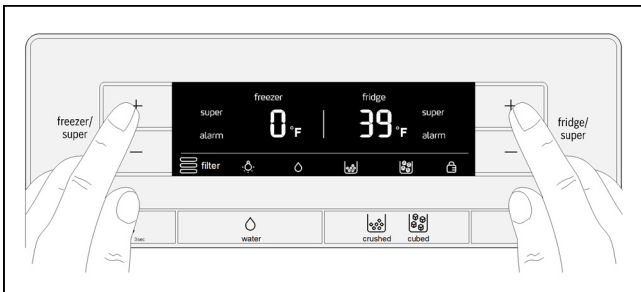
Switch off the appliance

Unplug the appliance from the mains or switch off the circuit-breaker.

The refrigeration system and lights switch off.

If the appliance is to be switched off but not unplugged (e.g. while you are on holiday):

Press and hold the "freezer/super +" and "fridge/super +" buttons for 5 seconds. When the appliance is off or disconnected, the freezer compartment display will show "o" and the fridge compartment display will show "FF". The rest of the display panel is off.



Switching on the appliance:

Press and hold the "freezer/super +" and "fridge/super +" buttons for 5 seconds.

Disconnecting the appliance

If the appliance is not used for an extended period of time:

1. It is imperative that you disconnect the water supply to the appliance for a few hours before switching off the appliance.
2. Remove all food from the appliance.
3. Unplug the appliance.
4. Remove and dispose of the filter cartridge.
5. Empty and clean the ice cube container.
6. Clean the appliance interior (see section "Cleaning the appliance").
7. To prevent odors, leave the appliance doors open.

Defrosting

Fridge compartment

While the appliance is in use, drops of condensation or frost form on the back of the fridge compartment. As the rear panel defrosts automatically, it is not necessary to remove the frost or the condensation.

Freezer compartment

Thanks to the fully automatic NoFrost system, the freezer compartment remains free of ice. There is no longer any need to defrost it.

Cleaning the appliance



CAUTION

- Do not use gritty, acidic or chlorine-based cleaning agents or solvents.
- Do not use abrasive cleaning pads or sponges that may scratch surfaces. This may lead to corrosion of the metallic surfaces.
- Never clean the shelves or containers in the dishwasher. The parts may warp.

Proceed as follows:

1. Switch off the appliance before cleaning.
2. Unplug the appliance from the mains or switch off the circuit-breaker.
3. Take out the food and store it in a cool place. Place an ice block (if you have one) on the food.
4. Wait until the layer of frost has thawed out.
5. Clean the appliance with a soft cloth, lukewarm water, and a little pH-neutral washing-up liquid. The washing-up liquid solution must not be allowed to get into the lights or run into the evaporation tray through the drain hole.
6. Only wipe the door seal with clean water and then rub it until it is dry.
7. After cleaning, reconnect the appliance to the mains and switch it on.
8. Put the food back in.

Fittings

All the variable components of the appliance can be removed for cleaning (see section "Fittings").

Ice-cube container

If no ice-cubes are dispensed for an extended period, the ice cubes in the container shrink, taste stale and stick together. Therefore, the ice-cube container should be cleaned regularly.



CAUTION

The ice-cube container is heavy when it is full.

1. Press and hold the "Ice cubes/Crushed ice" button for 3 seconds.
2. Pull out the ice-cube container.
3. Empty the ice-cube container and clean it.
4. Push the ice-cube container all the way back on the runners until it snaps into place.

Smells

If you notice unpleasant smells:

1. Unplug the appliance from the mains or switch off the circuit-breaker.
2. Remove all food from the appliance.
3. Clean the inside of the appliance (see section "Cleaning the appliance").
4. Clean all packaging.
5. Pack strongly smelling food in air-tight containers to prevent odors.
6. Switch on the appliance again.
7. Arrange the food.
8. After 24 hours, check again to see if the smells have reappeared.

LED light

The appliance features a maintenance-free LED light.

When the doors are opened, the interior light becomes gradually brighter and when the doors are closed, it gradually dims.

When switched on, the light of the Ice and water dispenser becomes gradually brighter and when switched off, it gradually dims.



CAUTION

Risk of eye injury from Class 1M laser light (IEC 60825)!
Do not look directly into the light with optical instruments.

These lights must be repaired by customer service or authorized technicians only.

Saving energy

- Install the appliance in a dry, well ventilated room. The appliance must be installed out of direct sunlight and away from heat sources (e.g. heating elements, cooker).
Use an insulating plate if necessary.
- Allow hot food and drinks to cool before placing them in the appliance.
- Place frozen food in the fridge compartment to defrost and utilize the low temperature of the frozen food to cool other food.
- Only open the appliance doors for as short a time as possible.
- To prevent the food warming up quickly in the event of a power cut or a fault, place blocks of ice in the top compartment directly on top of the food.
- Make sure that the freezer compartment door is always closed.
- The arrangement of the fittings has no effect on the energy consumption of the appliance.
- To prevent increased power consumption, occasionally clean the air vent with a soft brush or vacuum cleaner.

Operating noises

Normal noises

Humming

Refrigerating unit is running. The fan in the circulating air system is running.

Bubbling, whirring or gurgling noises

Refrigerant is flowing through the tubing or water is flowing into the ice maker.

The motor twists ice cube trays to eject ice cubes into the ice cube container.

Clicking

Motor is switching on or off. The solenoid valve at the water connection is opening or closing.

Rumbling

Ready ice cubes from the ice maker are falling into the ice cube container.

Solving simple noise problems

The appliance is not level

Align the appliance using a level. Use the height-adjustable feet or place something under the feet.

The appliance is touching adjacent units or appliances

Move the appliance away from adjacent units or appliances.

Loose or sticking drawers, baskets or storage areas

Check the removable parts and, if required, reinsert them.

Receptacles are touching each other

Move bottles or receptacles slightly away from each other.

Rectifying minor faults yourself

Before calling Customer Support:

Check whether you can rectify the fault yourself by using the notes below.

Appliance

Problem	Possible cause	Remedy
Appliance is not cooling/freezing.	Power cut.	Check whether there is power to the appliance.
The lighting is not working.	Circuit-breaker is switched off.	Check circuit-breaker.
The display does not light up.	Power plug not properly plugged in.	Check whether power plug is properly plugged in.
The refrigeration unit switches on with increasing frequency and for longer periods.	The appliance door is being opened frequently.	Do not open the appliance door unnecessarily.
	The ventilation openings are covered.	Remove any obstructions.
	Placing large quantities of food in the appliance.	Switch on fast cooling/fast freezing function.
The fridge compartment/freezer compartment is too cold.	The temperature setting is too low.	Set a higher temperature.
The (LED) lighting does not work.	The LED lighting is faulty.	See section "Lighting (LED)".
	Light switch is sticking.	Check whether you can move the light switch.
	The appliance door was opened for too long. The lighting switches off after approx. 10 minutes.	After closing and opening the appliance door, the lighting is switched on again.
Unpleasant smells are noticeable.	Strongly smelling food not packed in air-tight containers.	Clean the appliance. Pack strongly smelling food in air-tight containers (see section "Smells").
Warning beeper sounds or temperature indicator flashes. It is too warm in the fridge or freezer compartment. Food is at risk.	Appliance door is open.	See section "Alarm functions".
	Too much food was stored at once.	
Fresh food compartment (if existing) does not cool.	Disconnect the appliance from the mains (power failure or power plug pulled).	Reset the desired temperature.

Ice-maker

Problem	Possible cause	Remedy
Ice-maker not working.	Ice-maker is not connected to the power supply.	Call Customer Support.
	Ice-maker is not receiving a supply of water.	Make sure that the water supply is properly connected.
	The temperature in the freezer compartment is too high.	Check the freezer compartment temperature setting and set it slightly colder if necessary.
Ice-maker is not making enough ice or the ice is misshapen.	Appliance or ice-maker has only been switched on for a short time.	It takes roughly 24 hours for ice production to start.
	A large quantity of ice has been dispensed.	It takes roughly 24 hours for the ice-cube container to be refilled.
	Low water pressure.	The appliance should only be connected to a water supply with the specified pressure (see section "Connecting the appliance", subheading "Water connection").
	Water filter clogged or used up.	Replace water filter.
	The temperature in the freezer compartment is too high.	Set the freezer compartment temperature lower.
Ice-maker not making any ice.	Ice-maker is switched off.	Switch on the ice-maker.
	Appliance not being supplied with water.	Contact your installer or water company.
	Kinks in the water supply hose.	Turn off the water supply at the isolating valve. Straighten out any kinks or have hose replaced if necessary.
	Low water pressure.	The appliance should only be connected to a water supply with the specified pressure (see section "Connecting the appliance", subheading "Water connection").
	Freezer compartment temperature too high.	Set a slightly colder temperature for the freezer compartment.
	Ice-cube container not inserted properly.	Check the position, re-insert if necessary.
	Incorrect isolating valve fitted.	Unsuitable valves can reduce the water pressure and cause damage to the appliance.
Ice forms in the feeder hose to the ice-maker.	Low water pressure.	Turn off the water supply at the isolating valve. Straighten out any kinks or have hose replaced if necessary.
	Isolating valve not fully open.	Fully open isolating valve.
Water runs out of the appliance.	Water connecting hose is leaking.	Have hose replaced with a genuine replacement hose from the manufacturer.
	Incorrect isolating valve fitted.	Unsuitable valves can reduce the water pressure and cause damage to the appliance.
No water comes out of the water dispenser.	The return stop valve has been installed incorrectly.	Check the flow direction, Arrows on the return stop valve indicate the flow direction.
	Sieve is clogged.	Turn off the water supply at the isolating valve. Remove and clean the sieve.

Customer service

Determine if you can solve the problem yourself using the information under "Rectifying minor faults yourself".

If this information does not solve the problem, additional help is available by contacting Bosch customer service.

U.S.A.:

Contact the Bosch Customer Interaction Center by calling 1-800-944-2904 (toll-free).

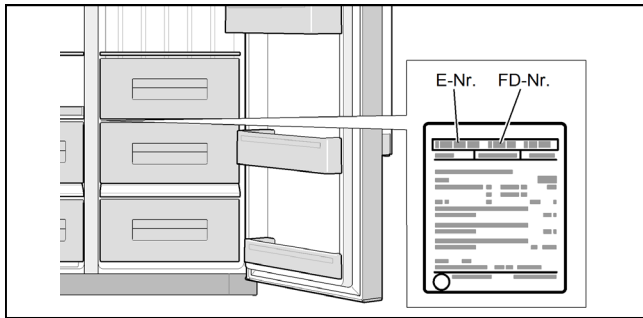
Canada:

Contact your designated Bosch Canada service company or call 1-800-944-2904.

To better assist you, write down the information about your appliance below for future reference:

Dealer name: _____
Address: _____
Phone number: _____
Purchase date: _____
Model number (E number): _____
Serial number (FD number): _____

Please provide customer service with the appliance model number (E number) and serial number (FD number).



You will find this information on the rating plate.

fr Table des matières

Consignes de sécurité et avertissements	32
Renseignements relatifs à la mise au rebut ..	33
Contenu de l'emballage	34
Installation de l'appareil	34
Mesures d'encombrement	36
Angle d'ouverture de la porte	37
Branchement de l'appareil	37
Installation des portes	40
Présentation de l'appareil	41
Mise en marche de l'appareil	43
Réglage de la température	43
Fonction de refroidissement rapide	44
Fonction de congélation rapide	44
Verrouillage du bandeau de commande	45
Fonctions d'alarme	45
Unités de température	45
Mode d'économie d'énergie	46
Symbole de filtre à eau	46
Capacité utile	46
Compartiment réfrigérateur	46
Compartiment congélateur	47
Capacité de congélation maximale	47
Congélation d'aliments	47
Achat et stockage d'aliments surgelés	48
Décongélation d'aliments surgelés	48
Distributeur de glaçons et d'eau	48
Filtre à eau	51
Fiche de performances	53
Équipements	54
Arrêt et débranchement de l'appareil	55
Dégivrage	55
Nettoyage de l'appareil	55
Odeurs	56
Éclairage DEL	56
Économiser de l'énergie	56
Bruits liés au fonctionnement	56
Correction par soi-même de défaillances mineures	57
Service clientèle	59

Consignes de sécurité et avertissements

VEUILLEZ LIRE ET CONSERVER CES INSTRUCTIONS !

Définitions

 **AVERTISSEMENT**

Le non-respect de cet avertissement peut entraîner la mort ou des blessures graves.

 **MISE EN GARDE**

Le non-respect de cette mise en garde peut entraîner des blessures légères à modérées.

AVIS

Le non-respect de cet avertissement peut entraîner des dommages à l'appareil ou aux biens.

Remarque :

Vous bénéficiez ainsi de renseignements et de conseils importants.

AVERTISSEMENT : Avant d'allumer l'appareil

Veillez lire attentivement les Instructions d'installation et d'utilisation, notamment celles qui suivent. Elles contiennent des renseignements importants relatifs à la sécurité et des instructions concernant l'installation, l'utilisation et l'entretien de l'appareil.

Le fabricant n'assume aucune responsabilité en cas de non-respect des instructions et des avertissements. Conservez toute documentation afin de pouvoir la consulter à nouveau ultérieurement ou si l'appareil change un jour de propriétaire.

Sécurité technique

Toute installation ou réparation incorrecte peuvent entraîner des risques pour l'utilisateur.

Les réparations doivent être effectuées par un prestataire de service autorisé.

N'utilisez que des pièces originales fournies par le fabricant. Seules les pièces originales fournies par le fabricant satisfont aux exigences de sécurité.

Si le cordon d'alimentation de cet appareil est endommagé, il doit être remplacé par un technicien d'entretien autorisé.

L'appareil est fourni avec un cordon d'alimentation à trois fils homologué UL.

Ne jamais couper ou enlever le troisième conducteur (mise à la terre) du cordon d'alimentation.

Cet appareil nécessite une prise murale de terre à trois fils. La prise murale doit être installée par un électricien qualifié, conformément aux codes locaux.

Si la prise murale est de type standard à deux fils, il incombe au client de la faire remplacer par une prise murale à trois fils, correctement mise à la terre. N'utilisez pas d'adaptateur.

Renseignements importants lors de l'utilisation de l'appareil

- Ne jamais utiliser de dispositifs électriques à l'intérieur de l'appareil. **Risque d'explosion !**
- Ne jamais dégivrer ou nettoyer l'appareil à l'aide d'un nettoyeur à vapeur. La vapeur pourrait atteindre des pièces électriques et provoquer un court-circuit. **Risque d'électrocution !**
- Ne jamais utiliser d'objets pointus ou tranchants pour retirer du givre ou des couches de glace. Les tubes de refroidissement risqueraient d'être endommagés. Une fuite de réfrigérant peut entraîner des lésions oculaires ou s'enflammer.
- Ne pas stocker dans l'appareil de produits contenant des agents propulseurs inflammables (tels que des bombes aérosol) ou des substances explosives. **Risque d'explosion !**
- Ne pas se tenir ou s'appuyer sur le socle, les tablettes, les portes ou d'autres parties de l'appareil. Vous pourriez endommager l'appareil ou vous blesser.
- Pour nettoyer l'appareil, débrancher le cordon d'alimentation ou couper le disjoncteur ou le fusible ! Ne pas débrancher le cordon d'alimentation en tirant sur le câble.
- Les boissons fortement alcoolisées doivent être hermétiquement fermées et stockées à la verticale.
- L'huile et la graisse ne doivent pas entrer en contact avec les parties en plastique et les joints de porte. Sinon, ces derniers deviendront poreux.
- Ne jamais obstruer ou couvrir les ouvertures d'aération de l'appareil. Cette action contraint l'appareil à fonctionner plus intensément, augmentant ainsi sa consommation énergétique.
- Les enfants ne peuvent utiliser cet appareil que sous la supervision d'un adulte.
- Ne stocker aucune boisson en bouteilles ou en canettes, en particulier gazeuse, dans le compartiment congélateur. **Les bouteilles et les canettes peuvent éclater !**
- Ne jamais porter à la bouche des sucettes glacées ou des glaçons qui sortent directement du compartiment congélateur. **Risque de brûlures à basse température !**
- Éviter de toucher, avec des mains mouillées, les surfaces ou produits congelés dans le congélateur. La peau peut adhérer à ces surfaces extrêmement froides. **Risque de blessure !**
- Ne pas gratter le givre ou des aliments surgelés collés à l'aide d'un couteau ou d'un objet pointu. Vous pourriez endommager l'appareil ou vous blesser.

Consignes de sécurité et avertissements

VEUILLEZ LIRE ET CONSERVER CES INSTRUCTIONS !

Les enfants au sein du ménage



AVERTISSEMENT

Risque d'asphyxie posé par les boîtes de carton et le film plastique ! Conserver l'emballage et les éléments de l'emballage hors de portée des enfants. Ne pas laisser les enfants jouer avec l'appareil ! Si l'appareil est doté d'un verrou, conserver la clé hors de portée des enfants.

Exigences générales

L'appareil est destiné à :

- réfrigérer des aliments
- congeler des aliments
- fabriquer des glaçons
- fournir de l'eau potable.

Cet appareil est destiné à un usage domestique.

Le circuit de réfrigération a subi un contrôle d'étanchéité avant de quitter l'usine.

Avertissements de la Proposition 65 de l'État de la Californie

Ce produit pourrait contenir un produit chimique reconnu par l'État de la Californie comme cancérigène ou ayant des effets nocifs sur la reproduction. Par conséquent, l'emballage de votre produit pourrait porter l'étiquette suivante, comme requis par la Californie :

STATE OF CALIFORNIA PROPOSITION 65 WARNING: /
AVERTISSEMENT ISSUE DE LA PROPOSITION 65
DE L'ÉTAT DE LA CALIFORNIE:



**WARNING /
AVERTISSEMENT**

Cancer and Reproductive Harm / Cancer et dommages à la reproduction - www.P65Warnings.ca.gov.

Renseignements relatifs à la mise au rebut

Mise au rebut de l'emballage

L'emballage protège votre appareil des dommages susceptibles de survenir au cours du transport. Tous les matériaux qui le composent sont respectueux de l'environnement et recyclables. Aidez-nous en éliminant l'emballage de manière écoresponsable.

Retirez tous les matériaux d'emballage, tels que les films protecteurs des tablettes, des tiroirs et des surfaces, après l'installation et avant l'utilisation de cet appareil.

Retirez les poignées de l'emballage avant sa mise au rebut.

Demandez à votre fournisseur ou aux autorités locales de vous indiquer les moyens d'élimination actuellement disponibles.

Mise au rebut de votre ancien appareil

Les anciens appareils sont utiles ! De précieuses matières premières peuvent être récupérées lors du recyclage des vieux appareils.



AVERTISSEMENT

**Risque de piégeage pour les enfants !
Les enfants peuvent s'enfermer dans l'appareil.
Avant de mettre le vieux réfrigérateur au rebut :
Retirer les portes et le tiroir du compartiment
congélateur.**

**Laisser les tablettes et les contenants en place afin
d'empêcher les enfants de grimper facilement à
l'intérieur.**

Mise au rebut appropriée des appareils :

1. Débrancher l'appareil.
2. Sectionner le câble d'alimentation, puis le jeter avec la prise.
3. Ne pas retirer pas les plateaux et les tablettes. Ils empêchent les enfants de grimper à l'intérieur !
4. Ne pas laisser les enfants jouer avec l'appareil.
Risque d'asphyxie !

Les réfrigérateurs contiennent des réfrigérants et leur isolation contient des gaz. Les réfrigérants et les gaz doivent être correctement éliminés. Respectez les réglementations locales relatives à la mise au rebut. Avant toute mise au rebut, vérifiez que les tubes du circuit de refroidissement ne sont pas endommagés.



Consignes de sécurité et avertissements

VEUILLEZ LIRE ET CONSERVER CES INSTRUCTIONS !

Contenu de l'emballage

Après avoir déballé tous les éléments, vérifiez qu'ils n'ont pas été endommagés lors du transport.

En cas de dommage, ne branchez pas l'appareil.

Contactez le fournisseur.

La livraison comprend les éléments suivants :

- Un appareil indépendant
- Des équipements (selon le modèle)
- Un sachet contenant la visserie de montage
- Des instructions d'utilisation
- Des instructions d'installation
- Une carte d'enregistrement
- Des renseignements relatifs à la consommation d'énergie et aux bruits

Installation de l'appareil

Faites installer et brancher l'appareil par un technicien qualifié, conformément aux Instructions d'installation fournies.



AVERTISSEMENT

Ne pas installer l'appareil :

- à l'extérieur,
- dans un environnement soumis à des gouttes d'eau,
- dans une pièce présentant un risque de températures de congélation.

Transport

L'appareil est lourd et doit être sécurisé lors du transport et de l'installation.

Les roulettes sont exclusivement prévues pour l'installation.

N'utilisez pas les roulettes pour transporter l'appareil.



AVERTISSEMENT

Risque de blessure !

L'appareil est très lourd. Il peut se renverser et causer des blessures graves pendant le transport et l'installation. Au moins deux personnes sont nécessaires pour installer l'appareil en toute sécurité. Garder les portes du réfrigérateur fermées jusqu'à ce que l'appareil soit à la verticale et d'aplomb à l'emplacement de son installation.

Des surfaces dissimulées peuvent présenter des bords coupants. Lors du transport, porter des gants de protection. La prudence est de mise pour atteindre l'arrière ou le dessous de l'appareil.

Lieu d'installation



AVERTISSEMENT

Risque d'explosion !

Ne pas installer l'appareil à proximité de substances explosives ou inflammables.

Il est préférable d'installer l'appareil dans un endroit sec et bien aéré. L'emplacement ne doit pas être exposé aux rayons directs du soleil ni se trouver à proximité d'une source de chaleur telle qu'une cuisinière, un radiateur, etc. Si une installation près d'une source de chaleur est inévitable, utiliser une plaque isolante appropriée ou respecter les distances minimales suivantes :

- 3 cm (1¹/₄ po) par rapport à une cuisinière électrique ou à gaz.
- 30 cm (11¹³/₁₆ po) par rapport à un appareil de chauffage au fuel ou au charbon.

Pour que le distributeur de glaçons fonctionne correctement, l'appareil doit être en position verticale et d'aplomb.

Si le réfrigérateur est installé à côté d'un autre réfrigérateur ou congélateur, il convient de respecter un écart de 25 mm (1 po) entre les appareils pour éviter toute condensation.

Si le réfrigérateur est surmonté d'un panneau ou d'une armoire de cuisine, prévoir un écart de 10 mm (13³/₃₂ po) pour que l'appareil puisse, le cas échéant, être extrait du renforcement.

L'air chauffé à l'arrière de l'appareil doit pouvoir s'échapper sans entrave.

En cas d'installation de l'appareil dans un angle ou un recoin, il convient de respecter des écarts latéraux minimum afin de pouvoir ouvrir complètement les portes (voir la section « Mesures d'encombrement »).

Si la profondeur de l'équipement de cuisine adjacent dépasse 75 cm (29¹/₈ po), des écarts latéraux minimum doivent être respectés afin de pouvoir utiliser pleinement l'angle d'ouverture de la porte (voir la section « Angle d'ouverture de la porte »).

Surface porteuse

AVIS

L'appareil est très lourd.

Le sol de l'emplacement prévu pour l'appareil ne doit pas s'affaisser. Le renforcer si nécessaire.

Poids de l'appareil vide :

Modèle de base 245 lb (111 kg)

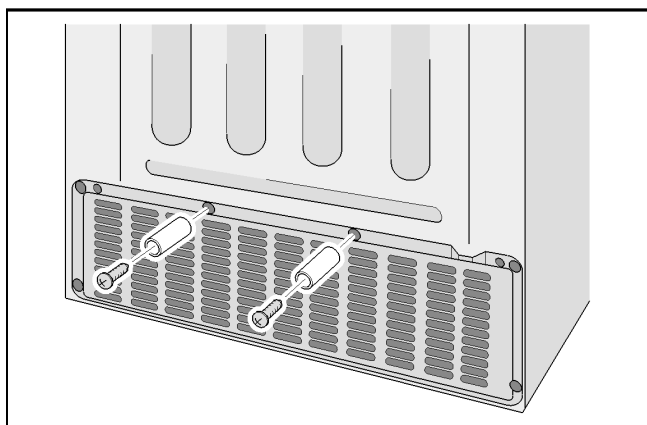
Écart par rapport au mur

Si l'appareil se trouve dans le coin d'une pièce ou dans un recoin, il convient de respecter des écarts latéraux minimum afin de pouvoir ouvrir complètement les portes (voir la section « Mesures d'encombrement »).

Si la profondeur de l'équipement de cuisine adjacent dépasse 65 cm (25,6 po), des écarts latéraux minimum doivent être respectés afin de pouvoir utiliser pleinement l'angle d'ouverture de la porte (voir la section « Angle d'ouverture de la porte »).

Écart minimum à l'arrière

Fixer les entretoises fournies aux trous situés à l'arrière de l'appareil à l'aide des vis.



Important :

Ces entretoises servent à maintenir l'écart minimum de 50 mm (2 po) par rapport le mur, permettant ainsi une aération adéquate.

Respect des exigences relatives à la température et à l'aération de la pièce

Température de la pièce

L'appareil est conçu pour une certaine classe climatique. Selon la classe climatique, l'appareil peut fonctionner aux températures ambiantes suivantes.

La classe climatique de l'appareil figure sur sa plaque signalétique.

Classe climatique	Température ambiante admissible
SN	de +10 °C à 32 °C (50 °F à 90 °F)
N	de +16 °C à 32 °C (61 °F à 90 °F)
ST	de +16 °C à 38 °C (61 °F à 100 °F)
T	de +16 °C à 43 °C (61 °F à 110 °F)

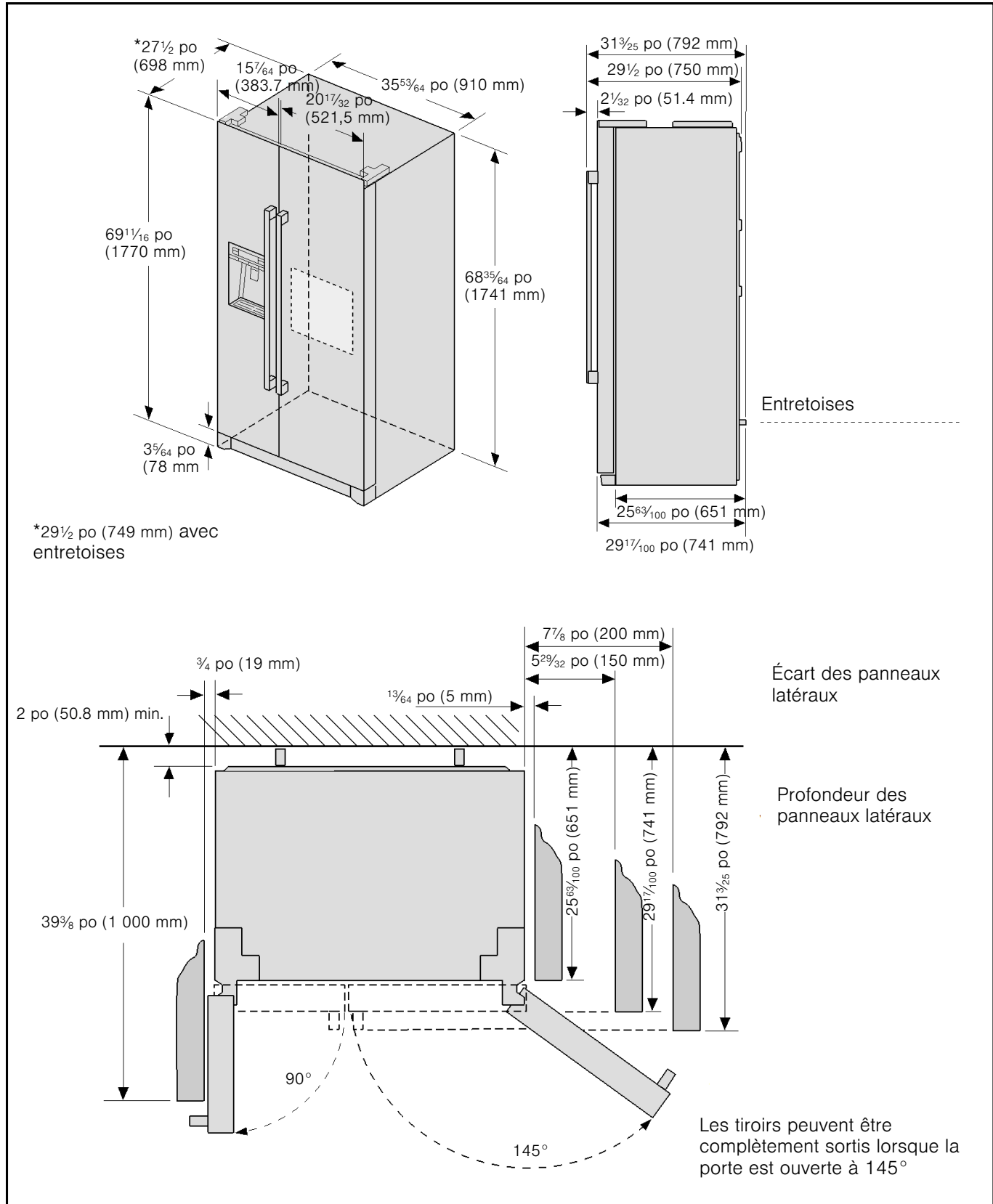
Remarque :

L'appareil est entièrement fonctionnel lorsqu'il se situe dans une pièce dont les limites de température sont comprises dans la classe climatique indiquée. Si un appareil de classe climatique SN fonctionne à des températures ambiantes plus faibles, il ne subit aucun dommage tant que la température ne descend pas sous les +5 °C (41 °F).

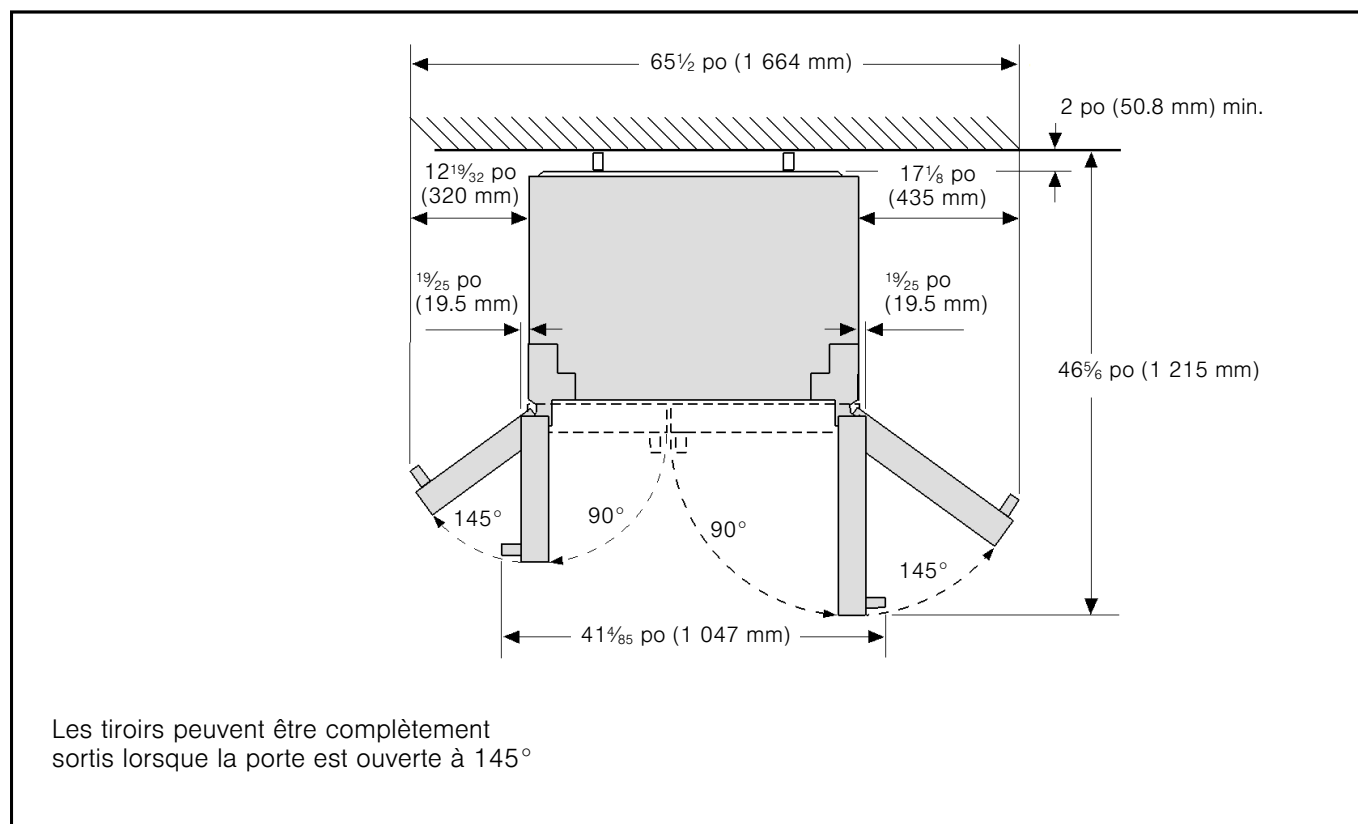
Aération

L'air chauffé doit pouvoir s'échapper sans entrave. Dans le cas contraire, l'unité de réfrigération doit fonctionner plus intensément, ce qui augmente la consommation énergétique de l'appareil. Par conséquent, ne jamais obstruer ou couvrir les ouvertures d'aération.

Mesures d'encombrement



Angle d'ouverture de la porte



Branchement de l'appareil

Faites installer et brancher l'appareil par un technicien, conformément aux Instructions d'installation fournies.

N'enlevez les cales de transport retenant les tablettes et les casiers de rangement qu'après l'installation et l'alignement de l'appareil.

Effectuez toujours le raccordement de l'eau avant celui de l'électricité.

En l'absence de réglementations statutaires nationales, il est obligatoire de satisfaire aux exigences et aux codes des sociétés de distribution d'eau et d'électricité locales.

Une fois l'appareil installé, attendez au moins six heures avant de le mettre en marche. Il peut arriver, pendant le transport, que l'huile du compresseur se déplace vers le système frigorifique.

Avant la première mise en marche, nettoyez l'intérieur de l'appareil (voir la section « Nettoyage de l'appareil »).

Raccordement de l'eau



AVERTISSEMENT

Risque d'électrocution et de dommages matériels !
Avant d'effectuer tout travail relatif au raccordement de l'eau, débrancher l'appareil du réseau électrique.
Le raccordement de l'eau ne doit être effectué que par un installateur qualifié, conformément aux réglementations pertinentes de plomberie et de la compagnie des eaux.

Raccordez l'appareil uniquement à une conduite d'eau potable :

- Pression minimale : 1,0 bar (14,5 lb/po²)
- Pression maximale : 8,8 bars (116 lb/po²)



MISE EN GARDE

Si la pression de l'eau dépasse 5,5 bars (80 lb/po²), un réducteur de pression doit être installé; sinon, il existe un risque de dégâts causés par l'eau. Le distributeur de glaçons ne fonctionne pas si la pression de l'eau est inférieure à 1,0 bar (14,5 lb/po²).

Contactez un plombier si vous n'êtes pas sûr de savoir comment vérifier la pression de l'eau.

L'eau doit être connectée uniquement par un plombier qualifié, conformément à la réglementation locale de la société d'approvisionnement en eau compétente.

L'appareil doit uniquement être raccordé à une conduite d'eau froide.

Un robinet d'arrêt séparé doit être installé dans l'entrée d'eau froide.

Le robinet d'arrêt ne doit pas être situé derrière l'appareil. Il est recommandé de monter le robinet d'arrêt directement à côté de l'appareil ou à un autre endroit facile d'accès.

Lors de l'installation du raccordement de l'eau, faites attention à la zone de montage admissible pour la conduite d'eau.

Pour le raccordement à la conduite d'eau potable, utilisez uniquement des conduites d'eau adaptées à l'eau potable. Respectez les réglementations nationales et les conditions de raccordement des sociétés d'approvisionnement en eau locales.

L'installation de la cartouche filtrante fournie peut améliorer le goût et l'odeur de l'eau. Si celle-ci est installée, prenez note des différentes spécifications de raccordement (voir la section « Filtre à eau »).

Remarque :

Après la mise en marche de l'appareil, de l'eau peut s'écouler du distributeur d'eau. Après environ 24 heures, lorsque l'appareil a atteint sa température de fonctionnement, l'écoulement cesse.

Raccordement électrique



AVERTISSEMENT

Risque d'électrocution et d'incendie si le raccordement électrique n'est pas effectué convenablement !

Brancher l'appareil uniquement dans une prise à trois broches mise à la terre. La prise doit être installée et mise à la terre par un électricien qualifié et conformément aux codes en vigueur. Le cas échéant, faire inspecter l'installation par un technicien qualifié afin de vérifier qu'elle est correctement mise à la terre.

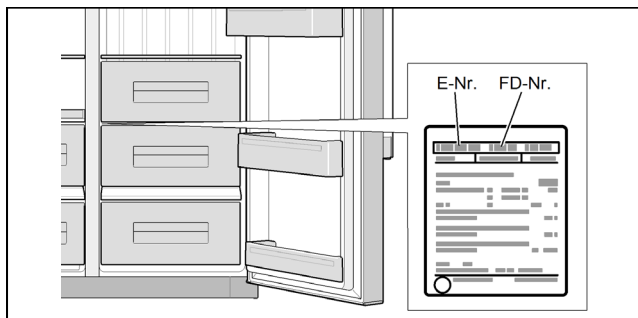
Ne pas utiliser de rallonge ou de barre d'alimentation.

Ne jamais brancher l'appareil à une prise d'économie d'énergie électronique (telle qu'Ecoboy, Sava Plug, etc.) ou à des convertisseurs continu-alternatif (tels que ceux destinés aux équipements solaires, au ravitaillement énergétique des navires, etc.).

La prise destinée à l'appareil doit se situer à proximité de l'appareil et rester facile d'accès après l'installation.

Brancher l'appareil à une prise CA de 115 V/60 Hz correctement installée. Le fusible de la prise doit présenter une capacité de 15 A ou 20 A.

Si l'appareil est destiné à un pays autre que les É.-U., consulter sa plaque signalétique afin de vérifier que la tension indiquée et le type de courant correspondent à ceux de votre alimentation électrique. Si la tension et le type de courant ne correspondent pas, ne pas faire fonctionner l'appareil. Seul un électricien qualifié peut remplacer le cordon d'alimentation.



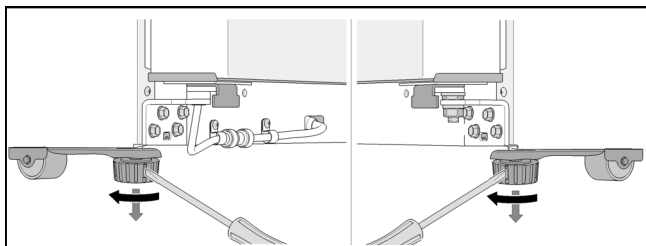
Mise à niveau de l'appareil

Remarque :

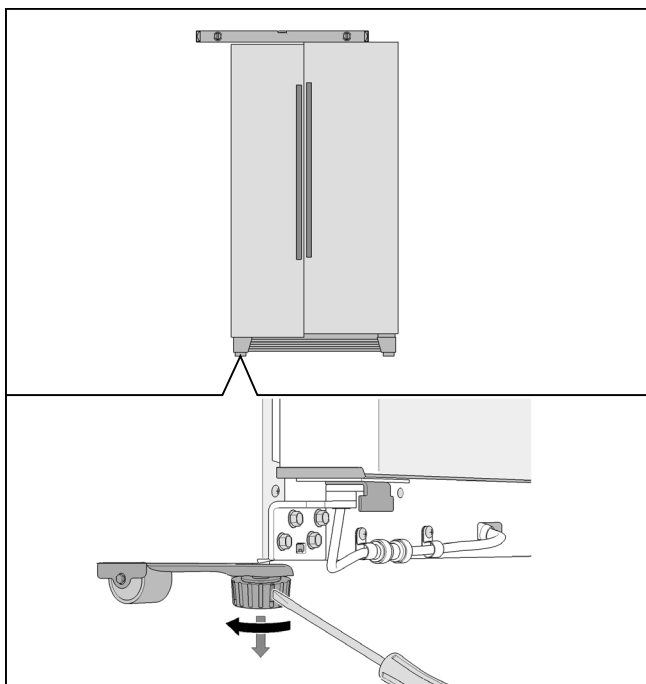
Pour s'assurer que l'appareil fonctionne correctement, il doit être mis à niveau à l'aide d'un niveau à bulle.

Si l'appareil n'est pas mis à niveau, de l'eau peut s'écouler du distributeur de glaçons, ce dernier peut produire des glaçons de tailles différentes et les portes peuvent ne pas se fermer correctement.

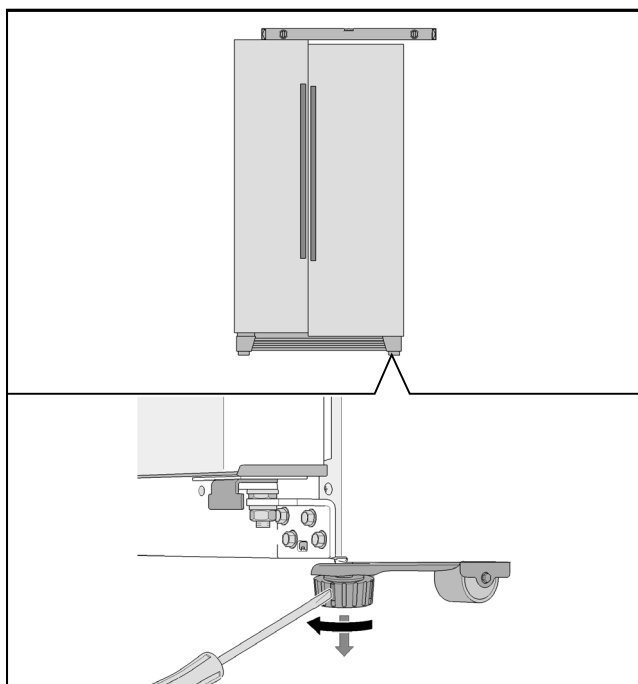
1. Déplacez l'appareil jusqu'à sa position d'installation prévue.
2. Pour empêcher que l'appareil ne bouge, dévissez les deux pieds avant jusqu'à ce qu'ils tiennent fermement sur le sol.



3. Ajustez les pieds en les vissant ou en les dévissant jusqu'à ce que l'appareil soit parfaitement à niveau. Utilisez les portes de l'appareil comme point de référence.
4. Si la porte du compartiment congélateur est plus basse :

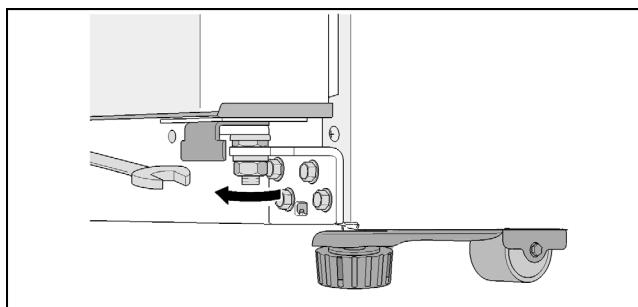


5. Si la porte du compartiment réfrigérateur est plus basse :

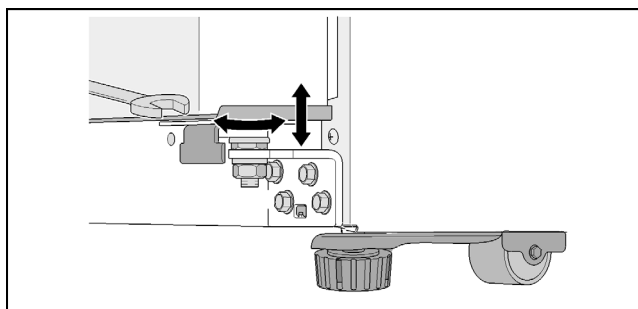


Si l'appareil est parfaitement à niveau, mais que l'une des portes est plus basse que l'autre :

1. Ouvrez les portes de l'appareil.
2. Dévissez les trois vis retenant le panneau de base et retirez-le.
3. Desserrez l'écrou.

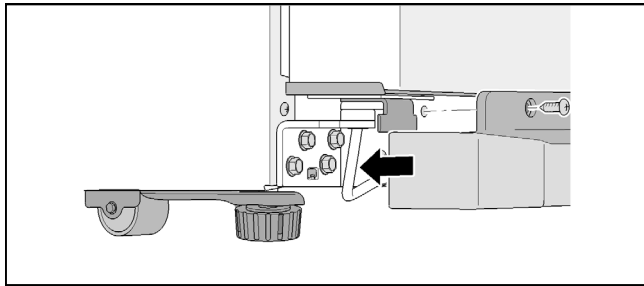


4. Tournez l'écrou de réglage jusqu'à ce que les portes de l'appareil soient alignées.



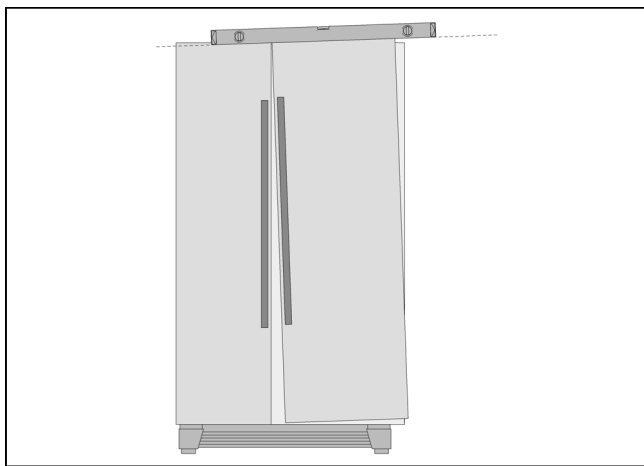
5. Si la porte du compartiment congélateur est plus basse : tournez l'écrou de réglage dans le sens antihoraire.
6. Si la porte du compartiment réfrigérateur est plus basse : tournez l'écrou de réglage dans le sens horaire.
7. Resserrez l'écrou.

- Remettez le panneau de base en place et fixez-le à l'aide des trois vis.



Remarque :

En raison de son propre poids ou lorsque la porte est remplie de produits alimentaires, il est possible que la porte du compartiment réfrigérateur penche même lorsque l'appareil est à la verticale. L'espace en haut et en bas de la porte n'est pas identique.



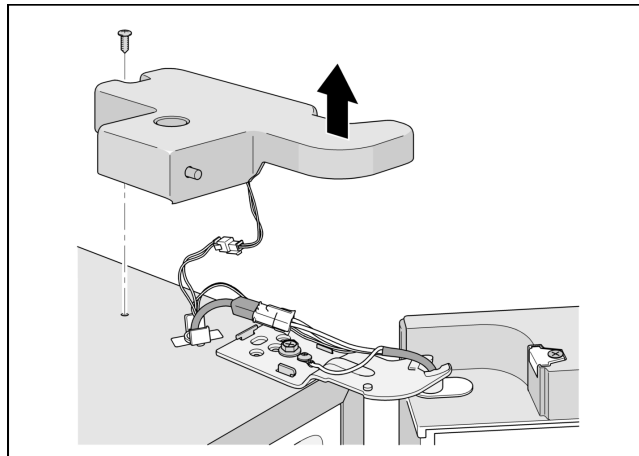
Si l'espace en haut et en bas de la porte n'est pas identique :



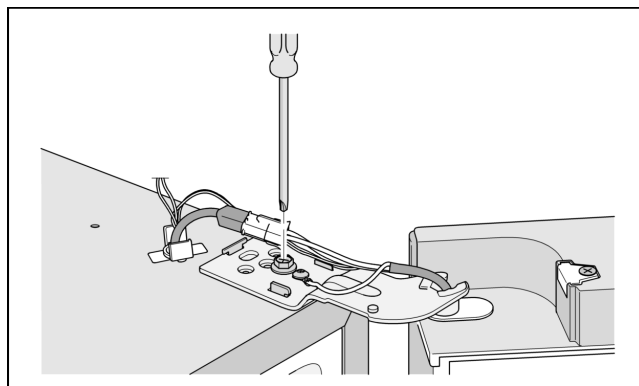
AVERTISSEMENT

Risque d'électrocution !

Débrancher l'appareil du réseau électrique avant de retirer le couvre-charnière supérieur.



- Dévissez les deux vis et retirez le couvre-charnière supérieur.



- Desserrez la vis de la charnière.
Ne dévissez pas complètement la vis !
- Ajustez l'alignement vertical de la porte du compartiment réfrigérateur.
- Resserrez la vis de la charnière.
- Remettez le couvre-charnière en place et fixez-le à l'aide des deux vis.

Installation des portes

Si l'appareil est trop gros pour passer les portes de votre maison, les poignées de porte ou les portes de l'appareil peuvent être dévissées.

Remarque :

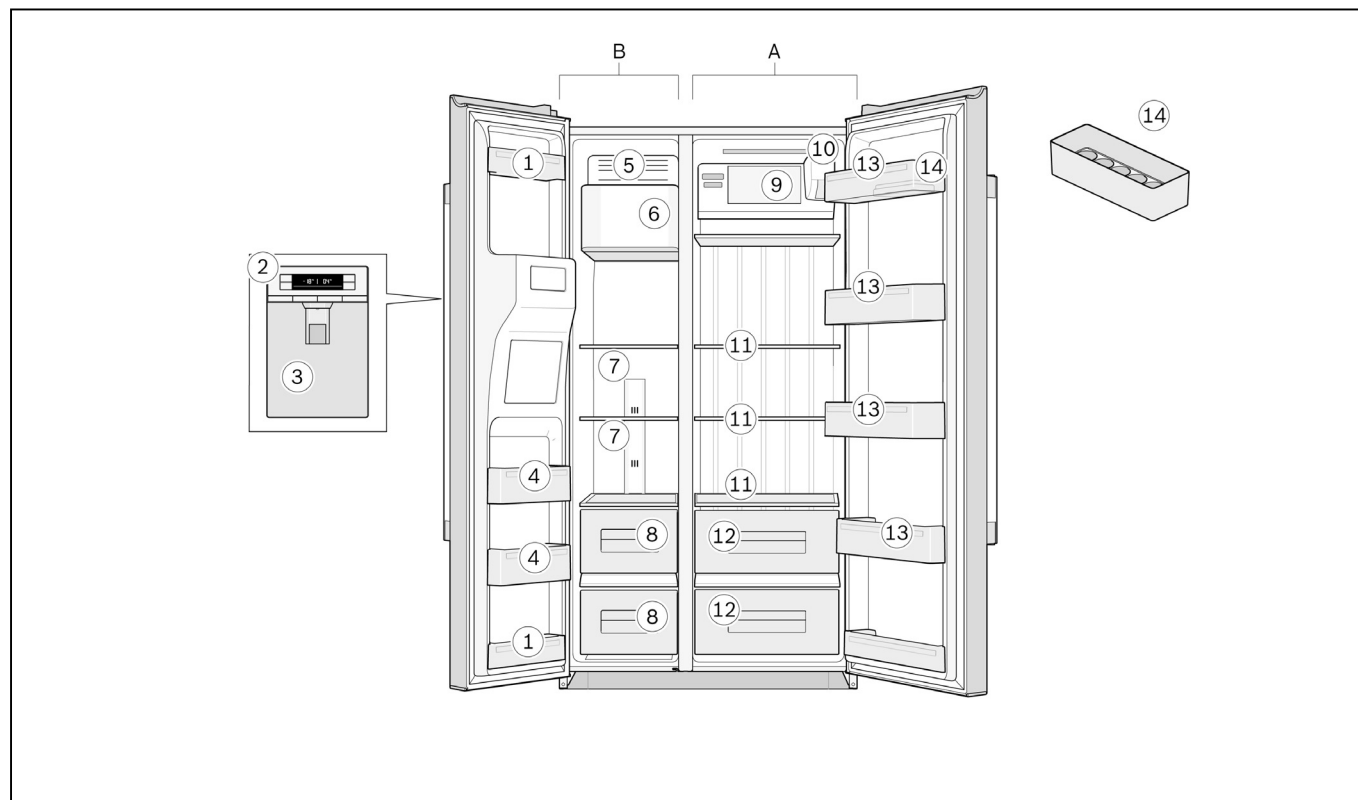
Les poignées de porte ou les portes de l'appareil peuvent uniquement être retirées par un technicien de service autorisé. Votre centre de service clientèle vous informera du prix.

Présentation de l'appareil

L'appareil

Les caractéristiques peuvent varier d'un modèle à l'autre.

Votre modèle peut être différent de celui représenté.

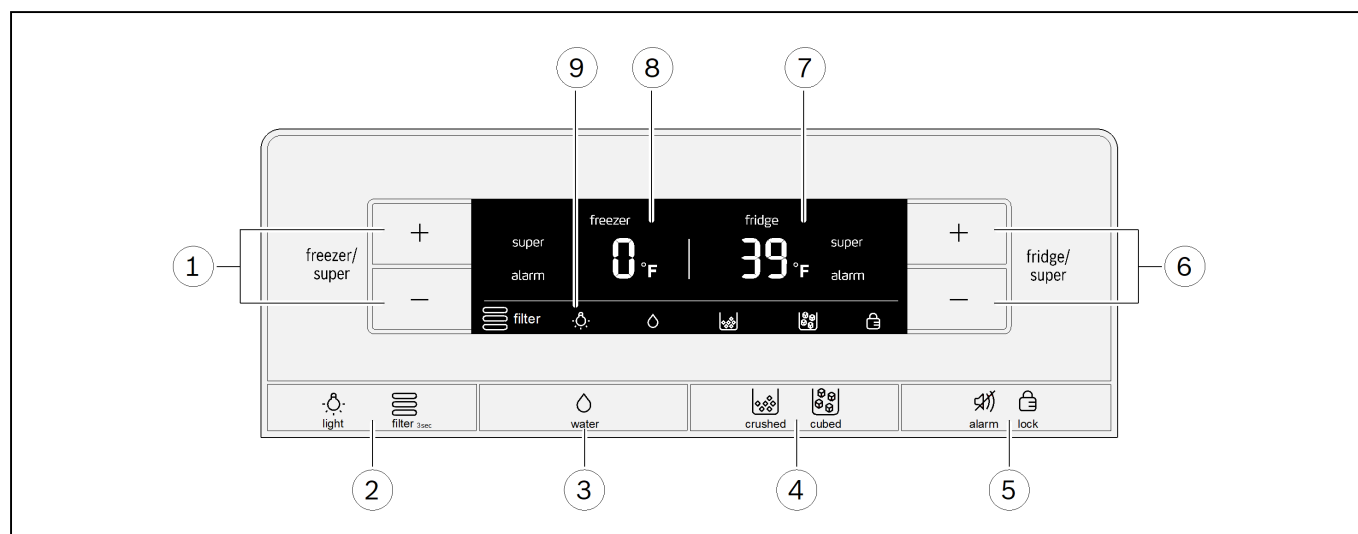


A Compartiment réfrigérateur

B Compartiment congélateur

- 1 Bacs de rangement
- 2 Commandes
- 3 Distributeur de glaçons et d'eau
- 4 Bacs de rangement de la porte du congélateur
- 5 Bac à glaçons
- 6 Machine à glaçons
- 7 Tablettes en verre du compartiment congélateur
- 8 Tiroirs du compartiment congélateur
- 9 Tablette
- 10 Filtre à eau
- 11 Tablettes en verre du compartiment réfrigérateur
- 12 Tiroirs à compartiments multiples
- 13 Bacs de rangement de la porte du réfrigérateur
- 14 Bac à œufs

Commandes



1 Touches « freezer/super » (congélateur/super)

- Réglage de la température du compartiment congélateur.
- Activation et désactivation de la fonction de congélation rapide.

2 Touche « éclairage/filtre »

- Activation et désactivation de l'éclairage du distributeur de glaçons/d'eau.
- Réinitialisation de l'indicateur du filtre.

3 Touche « eau »

4 Touche « glaçons/glace pilée »

5 Touche « alarme désactivée/verrouillage »

- Désactivation de l'affichage de l'alarme de température.
- Verrouillage ou déverrouillage du bandeau de commande.

6 Touches « fridge/super » (réfrigérateur/super)

- Réglage de la température du compartiment réfrigérateur.
- Activation et désactivation de la fonction de refroidissement rapide.

7 Bandeau de commande du compartiment réfrigérateur

- Température du compartiment réfrigérateur.
- Le symbole « super » s'affiche lorsque la fonction de refroidissement rapide est activée.
- Le symbole « alarme » s'affiche lorsque l'alarme du compartiment réfrigérateur est activée.

8 Bandeau de commande du compartiment congélateur

- Température du compartiment congélateur.
- Le symbole « super » s'affiche lorsque la fonction de congélation rapide est activée.
- Le symbole « alarme » s'affiche lorsque l'alarme du compartiment congélateur est activée.

9 Symboles du bandeau de commande



Filtre à eau

État de la cartouche filtrante.



Éclairage

L'éclairage du distributeur d'eau et de glaçons est allumé.



Eau

La fonction du distributeur d'eau est activée.



Glace pilée

La fonction du distributeur de glace pilée est activée.



Glaçons

La fonction du distributeur de glaçons est activée.



Verrouillage du bandeau de commande

Le verrouillage du bandeau de commande est activé.

Mise en marche de l'appareil

Brancher la fiche secteur dans la prise de courant électrique.

L'appareil commence à se refroidir.

Lorsque l'appareil est mis en marche pour la première fois, la fonction d'alarme est désactivée jusqu'à ce qu'il atteigne la température sélectionnée. Si l'appareil est désactivé pendant une période prolongée, l'alarme de température peut se déclencher au cours de la remise en marche suivante.

Les températures clignotent et les bandeaux de commandes affichent le symbole « alarme » jusqu'à ce que l'appareil atteigne les températures définies.

En appuyant sur la touche « alarme désactivée/verrouillage », l'avertissement de température est désactivé.

Les lumières s'allument lorsque les portes de l'appareil sont ouvertes.

Les températures suivantes sont recommandées par le fabricant et ont été prédéfinies à l'usine :

- Compartiment réfrigérateur 4 °C (39 °F)
- Compartiment congélateur -18 °C (0 °F)

Remarques importantes concernant l'utilisation de l'appareil

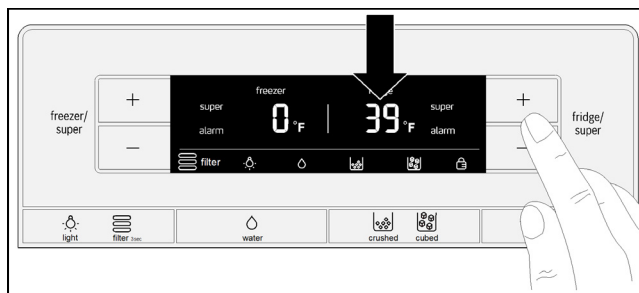
- Après la mise en marche de l'appareil, plusieurs heures peuvent être nécessaires afin d'atteindre les températures définies.
Avant cela, ne pas mettre d'aliments dans l'appareil.
- Grâce au système NoFrost entièrement automatique, le compartiment congélateur ne givre pas. Il n'est donc pas nécessaire de le dégivrer.
- Certaines faces frontales sont légèrement réchauffées pour empêcher la formation de condensation au niveau du joint de la porte.
- S'il est impossible de rouvrir la porte du compartiment congélateur immédiatement après l'avoir fermée, il est nécessaire d'attendre un instant qu'une baisse de pression se produise pour équilibrer la température.

Réglage de la température

Compartiment réfrigérateur

La température peut être réglée entre 1 °C (33 °F) et 7 °C (45 °F).

Appuyer à plusieurs reprises sur la touche « fridge/super + » (réfrigérateur/super +) ou « fridge/super - » (réfrigérateur/super -) jusqu'à atteindre la température de compartiment réfrigérateur souhaitée.

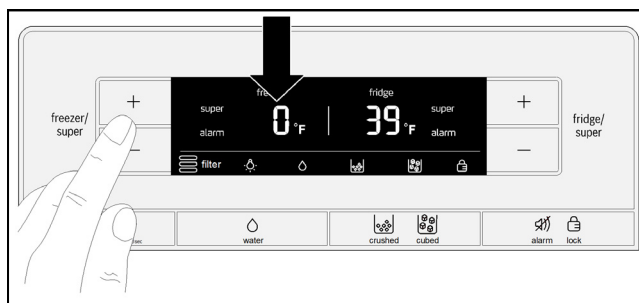


La dernière température réglée est sauvegardée. La température sélectionnée est affichée sur le bandeau de commande du compartiment réfrigérateur.

Compartiment congélateur

La température peut être réglée entre -16 °C (4 °F) et -22 °C (-8 °F).

Appuyer à plusieurs reprises sur la touche « freezer/super + » (congélateur/super +) ou « freezer/super - » (congélateur/super -) jusqu'à atteindre la température de compartiment congélateur souhaitée.



La dernière température réglée est sauvegardée. La température sélectionnée est affichée sur le bandeau de commande du compartiment congélateur.

Fonction de refroidissement rapide

Pendant le super refroidissement, la température du compartiment réfrigérateur baisse autant que possible pendant environ quarante minutes. La température est ensuite automatiquement réinitialisée à 4 °C (39 °F).

Le super refroidissement est particulièrement recommandé :

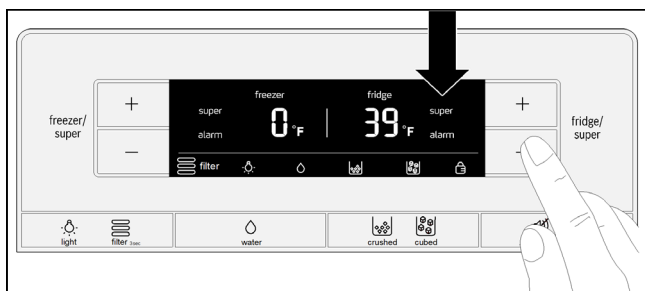
- avant de ranger de grandes quantités d'aliments dans le compartiment réfrigérateur,
- pour refroidir rapidement les boissons.

Remarque :

Lorsque la fonction de refroidissement rapide est activée, l'appareil peut être plus bruyant.

Activation

Appuyer sur la touche « fridge/super - » (réfrigérateur/super -) jusqu'à ce que « super » s'affiche à droite sur le bandeau de commande.



Désactivation

Appuyer sur la touche « fridge/super + » (réfrigérateur/super +).

Remarque :

Le bandeau de commande n'affiche plus « super ». La température se règle automatiquement sur 4 °C (39 °F).

Fonction de congélation rapide

Les aliments doivent toujours être congelés minutieusement et aussi rapidement que possible. Les vitamines, les valeurs nutritives, l'apparence et le goût des aliments sont ainsi conservés.

Activer la congélation rapide quelques heures avant de mettre des aliments frais dans le congélateur afin d'éviter une chute de température.

En règle générale, 4 à 6 heures suffisent.

Lorsque la fonction est activée, l'appareil fonctionne en continu. Par conséquent, une température très froide dans le compartiment congélateur est atteinte.

La congélation rapide s'éteint automatiquement au bout de 48 heures environ.

Si la capacité de congélation maximale doit être utilisée, la congélation rapide doit être activée 24 heures avant de placer des aliments frais dans le congélateur.

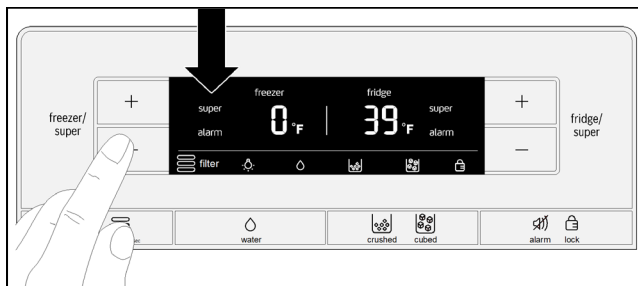
De petites quantités d'aliments (jusqu'à 2 kg (4,5 lb)) peuvent être congelées sans utiliser la fonction de congélation rapide.

Remarque :

Lorsque la congélation rapide est activée, l'appareil peut être plus bruyant.

Activation

Appuyer sur la touche « freezer/super - » (congélateur/super -) jusqu'à ce que « super » s'affiche à gauche sur le bandeau de commande.



Désactivation

Appuyer sur la touche « freezer/super + » (congélateur/super +).

Remarque :

Le bandeau de commande n'affiche plus « super ». La température retourne automatiquement à celle sélectionnée avant l'activation de la fonction « congélation rapide ».

Verrouillage du bandeau de commande

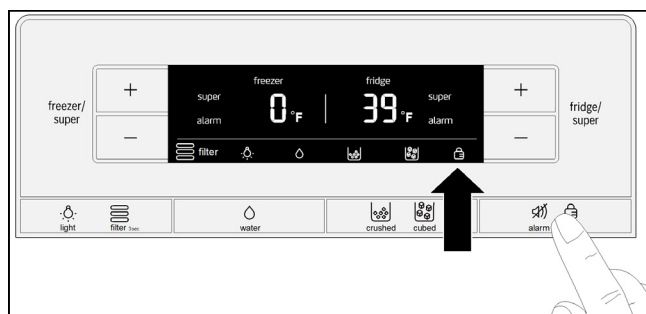
Lorsque le verrouillage du bandeau de commande est activé, toutes les touches du bandeau de commande et d'affichage sont verrouillées.

Remarque :

Lorsque le verrouillage du bandeau de commande est activé, utiliser la touche « alarme désactivée/verrouillage » pour éteindre le signal d'avertissement.

Activation

Appuyer sur la touche « alarme désactivée/verrouillage ».



Le bandeau de commande affiche le symbole « verrouillage du bandeau ».

Désactivation

Appuyer sur la touche « alarme désactivée/verrouillage » et la maintenir enfoncée pendant trois secondes.

Fonctions d'alarme

Alarme de porte

L'alarme de porte s'active lorsqu'une des portes de l'appareil reste ouverte pendant plus d'une minute. Le son d'avertissement retentit toutes les 60 secondes pendant 5 minutes. Fermer la porte désactive le son d'avertissement.

Alarme de température

Le bandeau de commande affiche l'alarme de température lorsque le compartiment réfrigérateur ou congélateur devient trop chaud et que la conservation des aliments est en péril.

Le bandeau de commande concerné affiche la plus haute température et « alarme ».

Compartiment réfrigérateur

Si la température dans le compartiment réfrigérateur est devenue trop élevée, avant de manger tout aliment tiède, s'assurer de le faire chauffer correctement. En cas de doute, ne pas utiliser d'aliment cru.

Compartiment congélateur

Ne pas recongeler un aliment décongelé. Il peut uniquement être recongelé après avoir été transformé en aliment prêt à manger (cuits ou grillés).

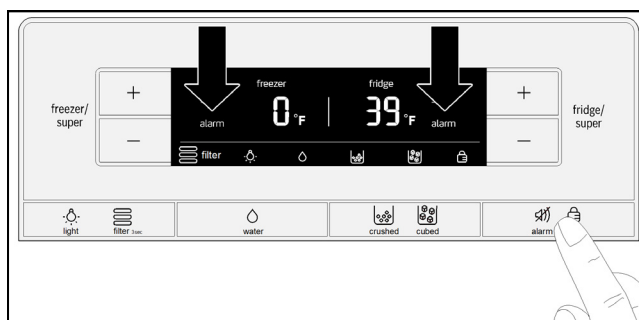
Consommer les aliments congelés avant la date limite de conservation.

L'alarme peut se déclencher bien que la conservation des aliments ne soit pas en péril :

- lors de la première mise en marche de l'appareil,
- lors du rangement de grandes quantités d'aliments frais dans le congélateur,
- si la porte du compartiment congélateur reste ouverte trop longtemps.

Désactivation de l'alarme

Appuyer sur la touche « alarme désactivée/verrouillage ».



Remarque :

Dès que la température sélectionnée est à nouveau atteinte, la bande cesse d'afficher « alarme ».

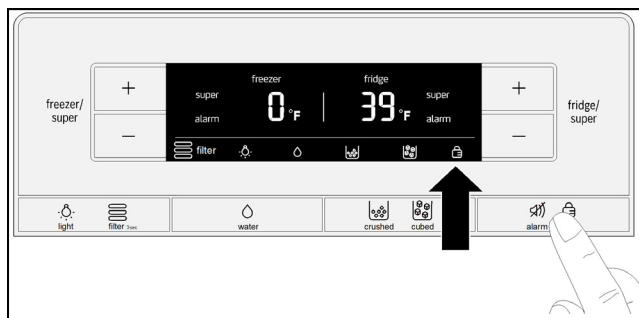
Unités de température

La température peut être affichée en degrés Fahrenheit (°F) ou Celsius (°C).

Lors de la première mise en marche de l'appareil, la température s'affiche en degrés Fahrenheit (°F).

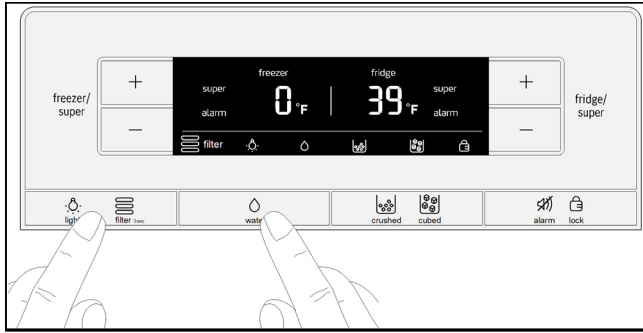
Réglage

1. Appuyer sur la touche « alarme désactivée/verrouillage ».



Le bandeau de commande affiche le symbole « verrouillage du bandeau ».

2. Appuyer en même temps sur les touches « éclairage/filtre » et « eau » et les maintenir enfoncées pendant dix secondes.



Les unités de température changent.

Mode d'économie d'énergie

20 secondes après la fermeture des portes ou le dernier déclenchement de bouton, le bandeau de commande se met en mode d'économie d'énergie. Le bandeau de commande s'éteint et affiche uniquement les mots « freezer » (congélateur) et « fridge » (réfrigérateur), ainsi que le symbole correspondant au mode de distribution sélectionné (eau, glaçons ou glace pilée) faiblement éclairé.

Dès qu'une porte est ouverte ou qu'un bouton est touché, le bandeau de commande s'active et retrouve sa luminosité normale.

Symbole de filtre à eau

Ce symbole indique pendant combien de temps la cartouche filtrante peut encore être utilisée.



Jusqu'à six mois.



Jusqu'à quatre mois.



Jusqu'à deux mois.



Jusqu'à dix jours :
les trois bars du symbole commencent à clignoter.

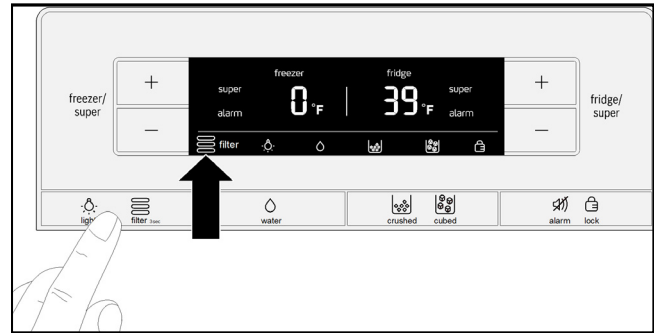
Changer la cartouche filtrante.

Remarque :

Même si l'appareil est éteint ou débranché, le témoin du filtre à eau ne s'éteint pas.

Réinitialisation de l'indicateur de filtre à eau après un changement de cartouche filtrante :

Appuyer sur la touche « éclairage/filtre » et la maintenir enfoncée pendant trois secondes.



Le symbole cesse alors de clignoter.

Capacité utile

Utilisation de toute la capacité de congélation

Pour accueillir une quantité maximale d'aliments congelés, retirer tous les équipements se trouvant l'intérieur de l'appareil. Mettre ensuite les aliments directement sur les tablettes et le fond du compartiment congélateur.

La méthode pour enlever et remettre les équipements est décrite au chapitre intitulé « Équipements ».

Compartiment réfrigérateur

Le compartiment réfrigérateur est l'endroit idéal pour conserver les plats cuisinés, le pain et les pâtisseries, les confitures, le lait concentré et les fromages à pâte dure.

Suivre ces directives pour placer des aliments dans le réfrigérateur :

- Conserver des aliments frais et intacts dans le réfrigérateur. De cette manière, ils se conserveront et resteront frais plus longtemps.
- Pour les produits tout prêts, les aliments emballés et les liquides, faire attention aux dates de péremption ou aux dates limites d'utilisation indiquées par le fabricant.
- Afin de conserver la saveur, la couleur et la fraîcheur, garder les aliments bien emballés ou recouverts. Ainsi, les saveurs ne se mélangent pas et les parties en plastique du compartiment réfrigérateur ne se décolorent pas.
- Laisser refroidir les boissons et les aliments chauds avant de les mettre dans l'appareil.

Remarque :

Éviter que la nourriture n'entre en contact avec le panneau arrière. Sinon, la circulation de l'air sera réduite.

Les aliments ou les emballages pourraient également congeler au contact du panneau arrière.

Faire attention aux zones de température dans le compartiment réfrigérateur

La circulation de l'air produit différentes zones de température dans le compartiment réfrigérateur :

- Les zones les plus froides se trouvent à proximité du panneau arrière.
- Les zones les plus chaudes se trouvent tout en haut de la porte.

Remarque :

Conserver des produits tels que du fromage à pâte dure et du beurre dans les zones les plus chaudes. Ainsi, le fromage pourra continuer à développer sa saveur et le beurre restera facile à tartiner.

Compartiment congélateur**AVERTISSEMENT****Risque d'explosion !**

Ne jamais stocker dans l'appareil de produit contenant des agents propulseurs inflammables (tels que des bombes aérosol) ou des substances explosives ou facilement inflammables.

AVIS

Veiller à ce que la porte du compartiment congélateur soit toujours fermée. Si la porte reste ouverte, les produits surgelés décongèleront. Le compartiment congélateur se couvrira d'une épaisse couche de glace. En outre, la forte consommation de courant entraînera un gaspillage d'énergie.

La fermeture de la porte du compartiment congélateur provoque une baisse de pression.

S'il n'est pas possible de rouvrir immédiatement la porte du compartiment congélateur, attendre deux ou trois minutes que la pression se stabilise.

Utiliser le compartiment congélateur pour

- stocker des aliments surgelés
- congeler des aliments
- fabriquer et stocker des glaçons

Capacité de congélation maximale**Conditions d'utilisation de la capacité de congélation maximale**

- Activer la fonction de congélation rapide avant de placer des aliments dans le congélateur (voir la section « Fonction de congélation rapide »).
- Retirer les équipements du compartiment congélateur.
- Empiler les aliments directement sur les tablettes et le fond du compartiment congélateur.

Remarque :

Ne pas couvrir les fentes de ventilation du panneau arrière avec les aliments que vous congèlez.

- De préférence, de grandes quantités d'aliments à congeler doivent être placées dans compartiment supérieur. De cette manière, ils se congèleront plus rapidement et ainsi conserveront leur qualité.

Congélation d'aliments

Ne congeler que des aliments frais et intacts. Séparer les aliments à congeler des aliments déjà congelés. Ranger les aliments dans des contenants hermétiques pour éviter qu'ils perdent leur goût ou se dessèchent.

Emballer correctement les aliments

- Vérifier que l'emballage est intact.
- Vérifier la date de péremption.
- Sceller l'emballage.
- Inscrire le contenu et la date de congélation sur l'emballage.

Emballages inadéquats :

papier d'emballage, papier ciré, cellophane, sacs à poubelle et sacs d'épicerie déjà utilisés.

Emballages adéquats :

film plastique, films de polyéthylène, feuilles d'aluminium et boîtes de congélation.

Ces produits sont en vente chez votre détaillant.

Moyens adéquats pour sceller des aliments emballés :

Bandes élastiques, attaches en plastique, ficelle, rubans adhésifs résistants au froid ou articles similaires.

Les sachets et les films de polyéthylène peuvent être scellés au moyen d'une thermoscelleuse.

Durée de conservation des aliments congelés

La durée de conservation dépend du type d'aliment.

À une température de -18 °C (0 °F) :

- Poisson, saucisses, plats cuisinés, gâteaux et pâtisseries :
jusqu'à **6 mois**
- Fromage, volailles et viande :
jusqu'à **8 mois**
- Fruits et légumes :
jusqu'à **12 mois**

Achat et stockage d'aliments surgelés

Suivre ces conseils lors de l'achat de produits surgelés :

- Placer l'aliment dans l'emballage.
- Évacuer l'air.
- La température du congélateur du supermarché doit être inférieure à -18 °C (0 °F). Si tel n'est pas le cas, la durée de conservation des produits congelés est réduite.
- Lors des courses, prendre les produits surgelés en dernier. Les envelopper de papier journal ou les ranger dans un sac thermique et les ramener à la maison.
- À la maison, mettre immédiatement les produits surgelés dans le compartiment congélateur. Les consommer avant leur date de péremption.

Décongélation d'aliments surgelés



MISE EN GARDE

Risque d'empoisonnement !

Ne pas recongeler des aliments partiellement ou entièrement décongelés. Les aliments ne peuvent être de nouveau congelés qu'après avoir été transformés (cuits ou sautés). Consommer ces aliments avant leur date limite de conservation.

Selon le type d'aliment et son utilisation prévue, les aliments congelés peuvent être décongelés de la manière suivante :

- à température ambiante
- au réfrigérateur
- dans un four électrique avec ou sans ventilateur à air chaud
- au four micro-ondes

Distributeur de glaçons et d'eau

Le distributeur peut fournir :

- de l'eau réfrigérée
- de la glace pilée
- des glaçons



AVERTISSEMENT

Risque de blessures causées par des éclats de verre !

Ne jamais récupérer des glaçons à l'aide d'un récipient fragile.



AVERTISSEMENT

Risque de blessures causées par le broyeur à glace !

Ne jamais placer la main dans l'ouverture du distributeur de glaçons.

AVIS

Risque de dommage à l'appareil !

Ne pas mettre de bouteilles ou d'aliments dans le contenant à glaçons pour les refroidir rapidement. Le distributeur de glaçons peut se bloquer et être endommagé.

Consignes relatives à la mise en marche de l'appareil

Le distributeur de glaçons et d'eau ne fonctionne que si l'appareil est raccordé à l'alimentation en eau.

Les premiers glaçons sont prêts 24 heures après la mise en marche de l'appareil.

Des bulles d'air sont emprisonnées dans les tuyaux au moment du raccordement de l'appareil.

Extraire de l'eau potable et la jeter jusqu'à ce que le distributeur fonctionne sans bulles. Jeter les cinq premiers verres d'eau.

Lors de la première utilisation du distributeur de glaçons, jeter les 30 à 40 premiers glaçons. Ne pas utiliser de glaçons pour des motifs d'hygiène.

Fonctionnement du distributeur de glaçons

Lorsque le compartiment congélateur atteint sa température de congélation, de l'eau s'écoule dans le distributeur et gèle pour former des glaçons. Lorsqu'ils sont prêts, les glaçons sont automatiquement transférés vers le contenant à glaçons.

La première fois que l'appareil est mis en marche, 24 heures sont nécessaires avant la première production de glaçons.

Parfois, les parois des glaçons peuvent adhérer ensemble. Les glaçons se détachent généralement d'eux-mêmes lorsqu'ils sont envoyés vers l'ouverture du distributeur.

Une fois le contenant à glaçons rempli, la fabrication de glaçons cesse automatiquement.

Le distributeur de glaçons peut produire environ 140 glaçons en 24 heures, lorsque le contenant à glaçons est vidé à plusieurs reprises au cours de la journée.

Lors de la fabrication des glaçons, le bourdonnement du robinet de prise d'eau, la circulation de l'eau dans le contenant à glaçons et le bruit associé à la chute des glaçons se font entendre.

Qualité de l'eau potable



MISE EN GARDE

Le filtre à eau livré avec l'appareil ne filtre que les particules en suspension dans l'eau entrante. Il ne retient ni les bactéries ni les microbes.

Tous les matériaux utilisés dans le distributeur d'eau sont inodores et sans saveur.

L'eau peut avoir un arrière-goût pour les raisons suivantes :

- Teneur en sels minéraux et en chlore de l'eau potable
- Matériau de la conduite d'eau domestique ou du tuyau de raccordement
- Fraîcheur de l'eau potable Si de l'eau n'a été prélevée pendant une période prolongée, elle peut avoir un goût « d'eau croupie ». Dans ce cas, remplir environ 15 verres d'eau et les jeter.

Remarque :

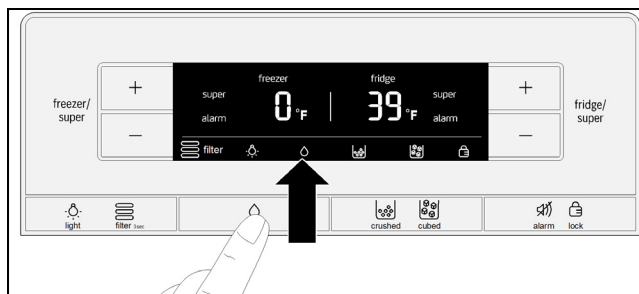
Rincez le système d'eau raccordé à l'entrée d'eau si aucune eau ne s'est écoulée au cours des cinq derniers jours.

L'installation de la cartouche filtrante, fournie à la livraison, au point de captage de l'eau peut améliorer le goût et l'odeur de l'eau.

Nous recommandons de prélever régulièrement une certaine quantité d'eau du distributeur d'eau et de ne pas éteindre l'appareil. La qualité de l'eau sera ainsi maintenue.

Distribution de l'eau

1. Appuyer sur la touche « eau ». Le bandeau de commande affiche le symbole « eau ».



2. Appuyer un verre ou un contenant contre la plaque du distributeur jusqu'à ce que le verre soit rempli de la quantité d'eau souhaitée.



Remarque :

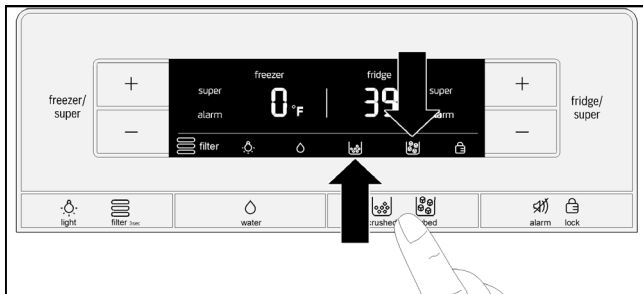
La température de l'eau sortant du distributeur convient à sa dégustation. Pour que l'eau soit plus froide, mettre quelques glaçons dans le verre avant de le remplir d'eau.

Distribution de glaçons

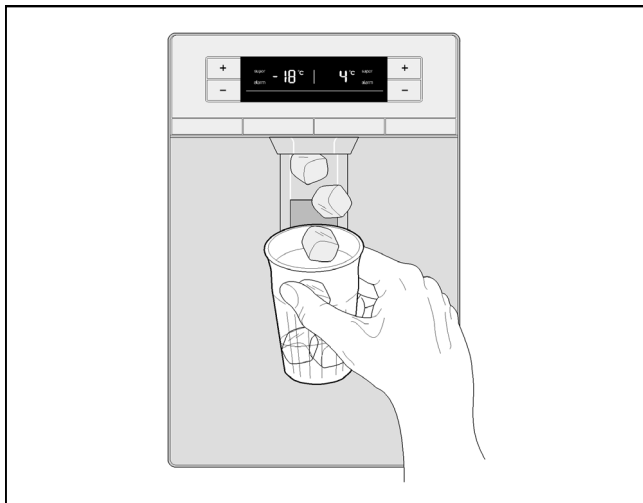
Maintenir le contenant contre la plaque du distributeur seulement jusqu'à ce qu'il soit à moitié rempli de glaçons. Dans le cas contraire, les glaçons dans l'ouverture du distributeur de glaçons pourraient faire déborder le contenant ou bloquer l'ouverture du distributeur de glaçons.

Si de la glace pilée a été fournie avant les glaçons, de la glace pilée peut encore se trouver dans l'ouverture du distributeur. Les premiers morceaux de glaçons évacueront la glace pilée restante.

1. Appuyer sur la touche « glaçons/glace pilée » jusqu'à ce que le bandeau de commande affiche le symbole « glaçons » ou « glace pilée ».



2. Appuyer un verre ou un contenant adapté contre la plaque du distributeur jusqu'à ce qu'il soit rempli de la quantité de glaçons souhaitée.



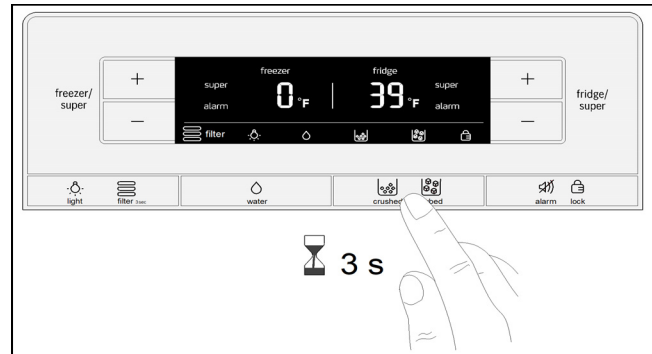
Désactivation du distributeur de glaçons

Remarque :

Il est essentiel de couper l'arrivée d'eau de l'appareil plusieurs heures avant d'éteindre le distributeur de glaçons.

S'il est prévu que le distributeur de glaçons ne soit pas utilisé pendant plus d'une semaine (p. ex. pendant des vacances), il doit être temporairement éteint afin d'empêcher la fusion des glaçons.

1. Appuyer sur la touche « glaçons/glace pilée » et la maintenir enfoncée pendant trois secondes.



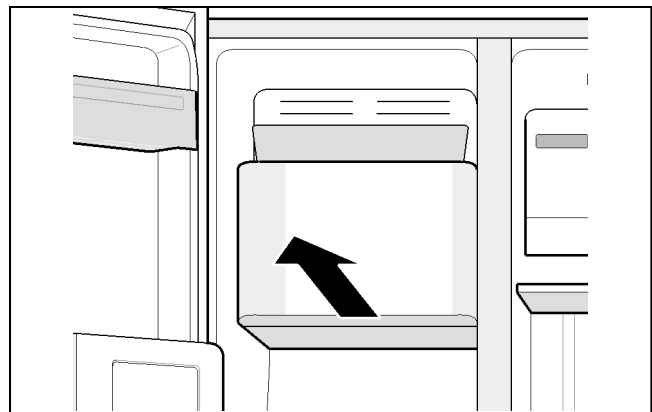
Sur le bandeau, les symboles « glaçons », « glace pilée » et « verrouillage » clignotent pendant environ trois secondes.

Ensuite, le distributeur d'eau est activé et le symbole « eau » s'allume.

Remarque :

Lorsque la touche « glaçons/glace pilée » est enfoncée et que le distributeur de glaçons est désactivé, une alarme retentit et les symboles « glaçons », « glace pilée » et « verrouillage » clignotent pendant environ trois secondes.

2. Sortir le contenant à glaçons.



3. Vider le contenant à glaçons et le nettoyer.
4. Pousser le contenant à glaçons jusqu'au fond des glissières jusqu'à ce qu'il s'enclenche en place.

Activation du distributeur de glaçons

Appuyer sur la touche « glaçons/glace pilée » et la maintenir enfoncée pendant trois secondes.

Une alarme retentit dès que le distributeur de glaçons est activé.

Filtre à eau



AVERTISSEMENT

Dans les régions où la qualité de l'eau n'est pas idéale ou inconnue, l'appareil ne doit pas être utilisé sans moyens de désinfection appropriés pour les faces interne et externe du filtre.

Le service clientèle peut fournir des cartouches filtrantes pour le filtre à eau.



MISE EN GARDE

- Après avoir installé une nouvelle cartouche filtrante, toujours jeter les glaçons produits dans les premières 24 heures suivant l'activation du distributeur de glaçons.
- Si la glace n'est pas utilisée pendant une période prolongée, jeter tous les glaçons du contenant à glaçons ainsi que la glace produite au cours des 24 heures suivantes.
- Si l'appareil n'a pas été utilisé ou qu'aucune glace n'a été distribuée pendant plusieurs semaines ou mois, ou si les glaçons présentent un goût ou une odeur désagréable, changer la cartouche filtrante.
- L'air emprisonné dans le système peut faire jaillir de l'eau et éjecter la cartouche filtrante. Faire attention lors de son retrait.
- La cartouche filtrante doit être remplacée au moins tous les six mois.

Remarques importantes concernant le filtre à eau

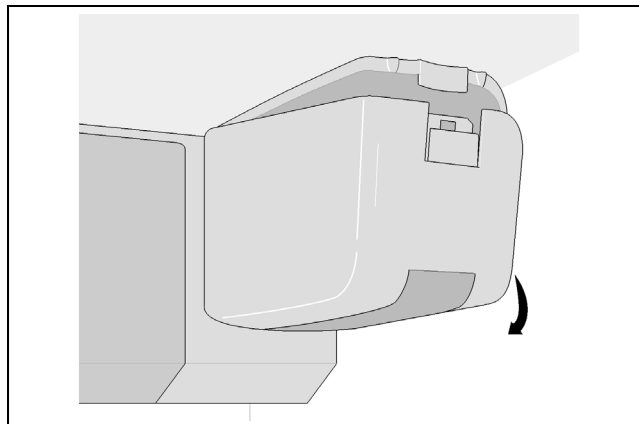
- Après utilisation, le circuit d'eau est légèrement sous pression. Faire attention lors du retrait de la cartouche filtrante.
- Si l'appareil n'a pas été utilisé au cours des 5 derniers jours ou si l'eau a un goût ou une odeur désagréable, rincez le circuit d'eau. Pour ce faire, faire couler de l'eau du distributeur en continu pendant 5 minutes. Si le goût ou l'odeur désagréable persiste, remplacer la cartouche filtrante.

Remplacement de la cartouche filtrante

Après six mois, le symbole de filtre à eau commence à clignoter pour indiquer qu'il est temps de changer la cartouche filtrante (voir la section « Symbole de filtre à eau »).

La cartouche filtrante doit être remplacée au moins tous les six mois.

1. **Mise en garde !** Mettre l'appareil hors tension ou désarmer le disjoncteur.
2. Fermer l'arrivée d'eau de l'appareil.
3. Appuyer sur la touche et enlever le couvercle.

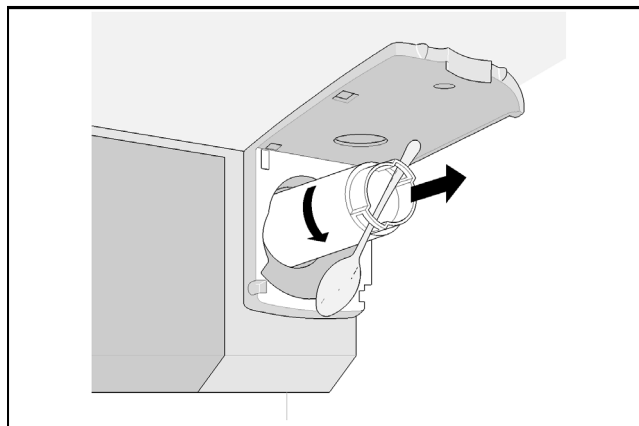


Remarque :

Faire attention lors du retrait de la cartouche filtrante.

Après utilisation, le circuit d'eau est légèrement sous pression.

4. Tourner doucement la cartouche filtrante de 90° dans le sens contraire des aiguilles d'une montre, à l'aide d'une cuillère par exemple, puis la retirer.

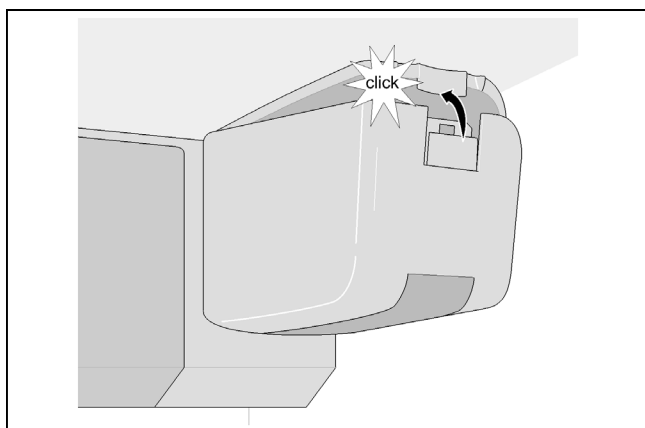


5. Sortir la nouvelle cartouche filtrante de son emballage et retirer le capuchon de sécurité.
6. Insérer la nouvelle cartouche filtrante et la tourner doucement de 90°, jusqu'à la butée, dans le sens des aiguilles d'une montre, à l'aide d'une cuillère par exemple.

Remarque :

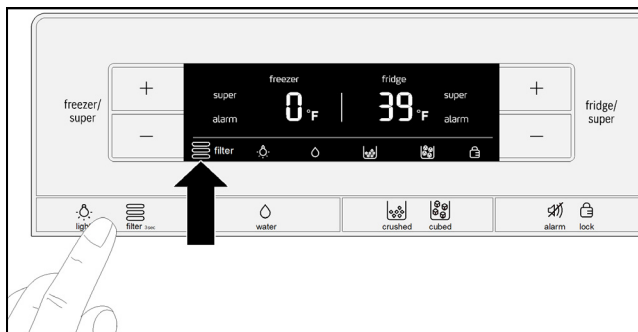
La cartouche filtrante doit être serrée manuellement de manière à éviter toute fuite et à alimenter suffisamment l'appareil en eau.

7. Remettre le couvercle et l'enclencher en place.



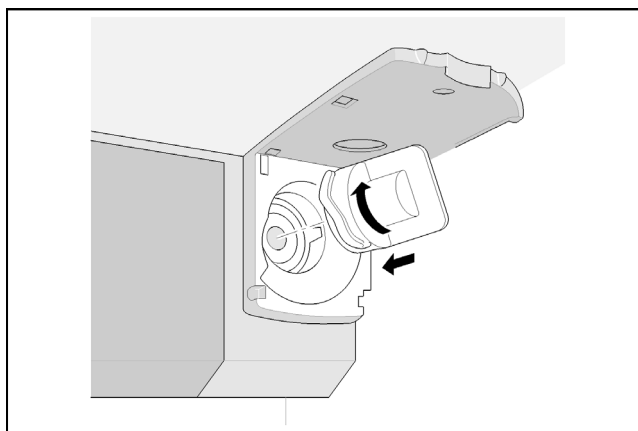
- 8. Ouvrir l'arrivée d'eau de l'appareil.
- 9. Mettre l'appareil en marche.
- 10. Distribuez et évacuez l'eau pendant cinq minutes à l'aide du distributeur d'eau.
- 11. Vider l'eau de l'ancienne cartouche filtrante. Elle peut ensuite être jetée avec les déchets domestiques.

12. Appuyer sur la touche « éclairage/filtre » et la maintenir enfoncée pendant trois secondes. L'indicateur de filtre à eau se réinitialise. Le symbole cesse alors de clignoter. Le nouveau filtre est maintenant activé.



Remarque :

Le distributeur d'eau et de glaçons peut aussi s'utiliser sans cartouche filtrante. Dans ce cas, mettre en place le capuchon.



Fiche de performances

Modèle 9000 777508, 9000 705475 et 9000 225170

Utiliser une cartouche de rechange 9000 674655.

La concentration des substances indiquées dans l'eau pénétrant dans le système a été réduite à une valeur inférieure ou égale à la valeur limite admissible pour l'eau quittant l'appareil, selon les normes NSF/ANSI 42 et 53.



Le système a été évalué et certifié par NSF International selon les normes NSF/ANSI 42 et 53 relatives à la réduction des demandes spécifiées sur la fiche de performances.

Capacité de 739,68 gallons (2 800 litres)

Réduction des contaminants déterminée par l'évaluation de NSF.

Réduction de contaminants	Flux entrant moyen	Concentration d'essai prévue par NSF	Moyenne de réduction en %	Concentration moyenne dans l'eau sortante	Concentration max. admissible dans l'eau sortante	Exigences de réduction NSF	Rapport d'évaluation NSF
Goût et odeur de chlore	2,1 mg/l	2,0 mg/l ± 10 %	97,6 %	0,05 mg/l	s.o.	≥ 50 %	J-00121313
Classe particulaire nominale I ≥ 0,5 à < 1,0 µm	9,100,000 pts/ml	Mind. 10,000 particules/ml	98,8 %	111,817 pts/ml	s.o.	≥ 85 %	J-00099871
Kyste*	170,00 kystes/l	50,000 kystes/l minimum	99,99 %	0,001 kyste/l	s.o.	≥ 99,95 %	J-00109715

* Basé sur l'utilisation d'oocystes de *Cryptosporidium parvum*

Directives d'application/Paramètres d'alimentation en eau	
Vitesse d'écoulement	0,75 gal/min (2,83 l/min)
Alimentation en eau	Eau potable
Pression de l'eau	30 à 120 lb/po ² (207 à 827 kPa)
Température de l'eau	0,6 °C - 38 °C (33 °F - 100 °F)

Il est impératif que les installations recommandées, l'entretien et les exigences de remplacement du filtre du fabricant soient respectés pour assurer le bon fonctionnement du produit. Voir la notice d'installation pour obtenir des renseignements sur la garantie.

Remarque : Étant donné que l'évaluation ont été effectuée en conditions normales de laboratoire, les performances actuelles peuvent varier.

Cartouche de rechange : 9000 674655. Pour obtenir le coût approximatif des éléments de rechange, veuillez communiquer avec votre fournisseur local ou appelez au 1 800 578-6890.

AVIS

Pour réduire le risque associé aux dégâts matériels causés par une fuite d'eau ou des inondations :

- Lisez et suivez toutes les instructions avant d'installer et d'utiliser ce système

Pour réduire les risques de fuites d'eau ou d'inondation, et pour garantir une performance optimale du filtre :

- Changez la cartouche filtrante jetable tous les six mois ou plus tôt si vous remarquez une réduction notable du débit d'eau.
- Une cartouche filtrante jetable qui n'est pas remplacée aux intervalles recommandés peut entraîner une réduction des performances du filtre et causer des fissures au niveau du boîtier du filtre, provoquant des fuites d'eau ou des inondations.



AVERTISSEMENT

Pour réduire le risque associé à l'ingestion de contaminants :

- Ne pas utiliser avec une eau insalubre sur le plan microbiologique ou de l'eau dont la qualité est inconnue sans une désinfection adéquate en amont et en aval du système. Un système certifié capable de réduire la teneur en kystes peut être utilisé dans de l'eau désinfectée pouvant contenir des kystes filtrables.

Numéro de mise en place APE 10350-MN-005

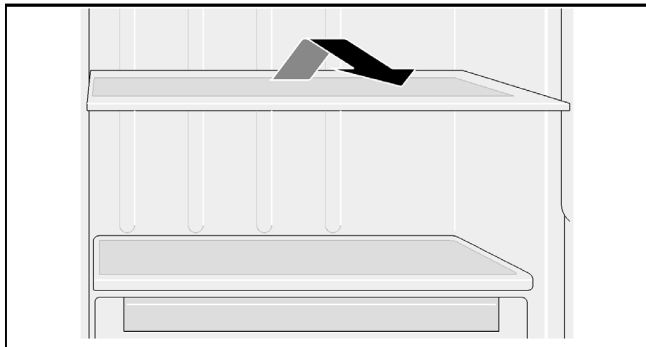
Équipements

Tablettes en verre

Les tablettes en verre peuvent être retirées et installées à différentes hauteurs.

Retrait

Soulever la tablette en verre par l'arrière et tirer pour la faire sortir.



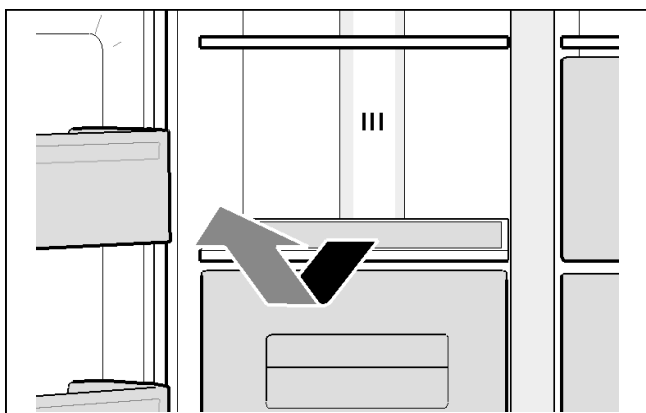
Mise en place

Faire glisser la tablette en verre à reculons sur les glissières jusqu'à ce qu'elle s'enclenche en place vers le bas.

Tablettes en verre au-dessus des tiroirs

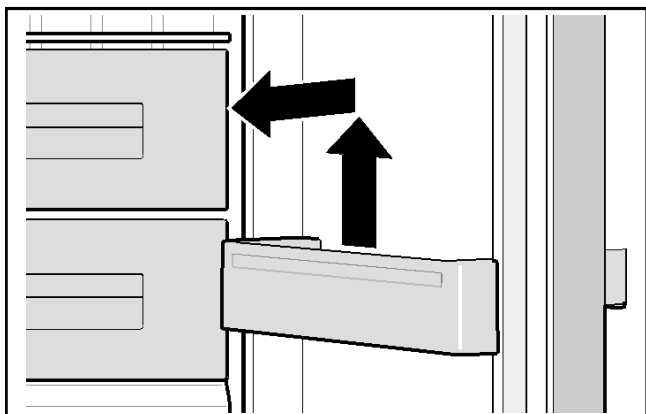
Les tablettes en verre peuvent être retirées.

Tirer la tablette vers l'avant, puis la soulever pour la retirer.



Bacs de rangement de porte

Les bacs de rangement de porte peuvent être retirés. Tirer les bacs de rangement de porte vers le haut pour les retirer.



Bac à glaçons

Le bac à glaçon sert à conserver les glaçons.

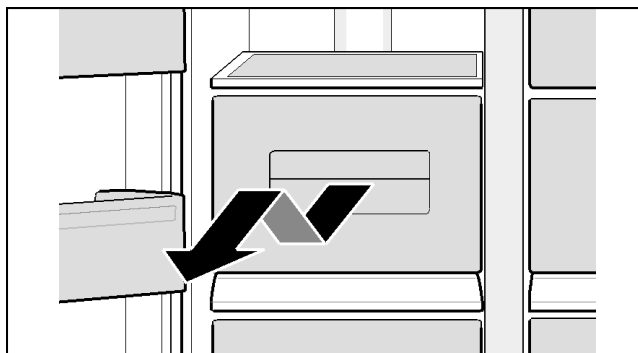
Soulever légèrement le bac à glaçon à l'avant, puis le détacher.



Tiroirs

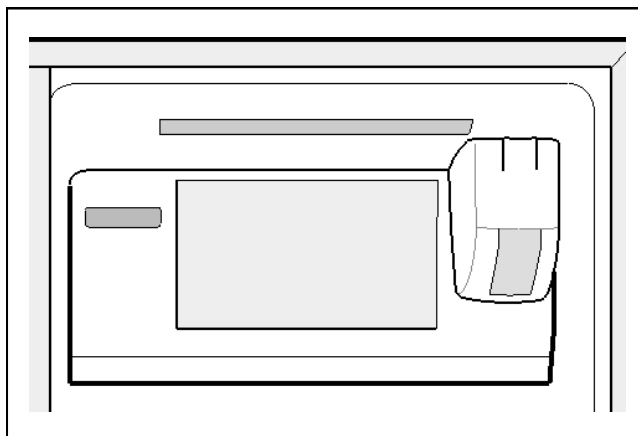
Les tiroirs peuvent être retirés.

Sortir le tiroir jusqu'à sa butée, le soulever à l'avant, puis le retirer complètement.

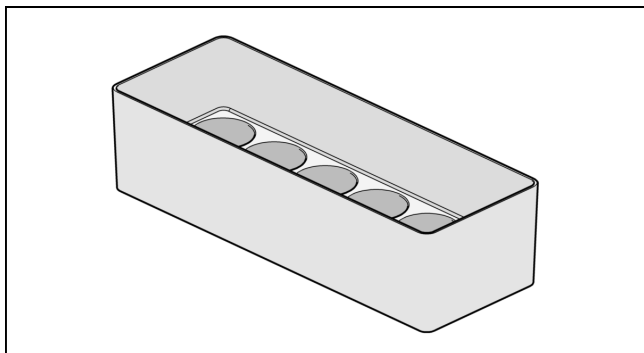


Tablette

Destinée aux canettes.



Bac à œufs



Arrêt et débranchement de l'appareil

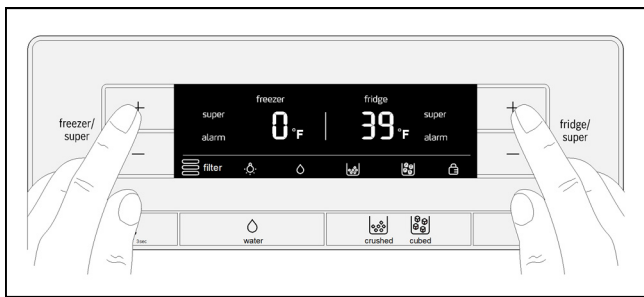
Arrêt de l'appareil

Mettre l'appareil hors tension ou désarmer le disjoncteur.

Le système frigorifique et les lumières s'éteignent.

Si l'appareil doit être éteint, mais pas débranché (p. ex. pour des vacances) :

Appuyer sur les touches « freezer/super + » (congélateur/super +) et « fridge/super + » (réfrigérateur/super +) et les maintenir enfoncées pendant cinq secondes. Lorsque l'appareil est désactivé, le bandeau de température affiche « - - ». Lorsque l'appareil est éteint ou débranché, l'afficheur du compartiment congélateur indique "o" et celui du compartiment réfrigérateur affiche "FF". Le reste du bandeau est éteint.



Mise en service de l'appareil :

Appuyer sur les touches « freezer/super + » (congélateur/super +) et « fridge/super + » (réfrigérateur/super +) et les maintenir enfoncées pendant cinq secondes.

Débranchement de l'appareil

Si l'appareil doit rester longtemps sans servir :

1. Il est essentiel de couper l'arrivée d'eau de l'appareil quelques heures avant de l'éteindre.
2. Sortir tous les aliments de l'appareil.
3. Le débrancher.
4. Retirer la cartouche filtrante et la jeter.
5. Vider et nettoyer le contenant à glaçons.
6. Nettoyer l'intérieur de l'appareil (voir la section « Nettoyage de l'appareil »).

7. Pour prévenir les odeurs, laisser les portes de l'appareil ouvertes.

Dégivrage

Compartiment réfrigérateur

Lorsque l'appareil est en cours d'utilisation, des gouttes de condensation ou de givre se forment sur le panneau arrière du compartiment réfrigérateur. Puisque le panneau arrière se dégivre automatiquement, il n'est pas nécessaire de retirer le givre ou la condensation.

Compartiment congélateur

Grâce au système NoFrost entièrement automatique, le compartiment congélateur ne givre pas. Il n'est désormais plus nécessaire de le dégivrer.

Nettoyage de l'appareil



MISE EN GARDE

- Ne pas utiliser de produits de nettoyage ou de solvants abrasifs, acides ou à base de chlore.
- Ne pas utiliser d'éponges ou de tampons nettoyeurs abrasifs pouvant égratigner les surfaces. Les surfaces métalliques pourraient alors se corroder.
- Ne jamais laver les tablettes ou les bacs au lave-vaisselle. Ces pièces pourraient se déformer.

Procéder de la manière suivante :

1. Éteindre l'appareil avant le nettoyage.
2. Mettre l'appareil hors tension ou désarmer le disjoncteur.
3. Retirer la nourriture et la stocker dans un endroit frais. Placer un bloc de glace (le cas échéant) sur les aliments.
4. Attendre que la couche de givre ait décongelé.
5. Nettoyer l'appareil avec un chiffon doux, de l'eau tiède et un peu de liquide vaisselle au pH neutre. Le liquide vaisselle ne doit pas entrer en contact avec les lumières ou pénétrer dans le bac d'évaporation en passant par le trou de drainage.
6. Essuyer simplement le joint d'étanchéité de la porte, puis le frotter jusqu'à ce qu'il soit sec.
7. Après le nettoyage, remettre l'appareil sous tension et le mettre en marche.
8. Remettre les aliments à l'intérieur.

Équipements

Les divers composants de l'appareil peuvent être retirés pour être nettoyés (voir la section « Équipements »).

Contenant à glaçons

Si aucun glaçon n'est utilisé pendant une période prolongée, les glaçons dans le contenant se réduisent, prennent un goût d'eau croupie et fusionnent. Par conséquent, le contenant à glaçons doit être nettoyé régulièrement.



MISE EN GARDE

Le contenant à glaçons est lourd lorsqu'il est plein.

1. Appuyer sur la touche « glaçons/glace pilée » et la maintenir enfoncée pendant trois secondes.
2. Sortir le contenant à glaçons.
3. Vider le contenant à glaçons et le nettoyer.
4. Pousser le contenant à glaçons jusqu'au fond des glissières, jusqu'à ce qu'il s'enclenche en place.

Odeurs

En cas d'odeurs désagréables :

1. Mettre l'appareil hors tension ou désarmer le disjoncteur.
2. Sortir tous les aliments de l'appareil.
3. Nettoyer l'intérieur de l'appareil (voir la section « Nettoyage de l'appareil »).
4. Nettoyer tous les emballages.
5. Placer les aliments présentant une forte odeur dans des contenants hermétiques afin de prévenir les odeurs.
6. Remettre l'appareil en marche.
7. Arranger les aliments.
8. Après 24 heures, vérifier que les odeurs ne sont pas revenues.

Éclairage DEL

L'appareil est équipé d'un éclairage DEL qui ne nécessite aucun entretien.

À l'ouverture des portes, l'éclairage interne s'active progressivement et se tamise graduellement, à la fermeture des portes.

Le distributeur d'eau et de glaçons s'illumine progressivement lorsqu'il est activé et s'éteint graduellement lorsqu'il est désactivé.



MISE EN GARDE

Risque de lésions oculaires par rayonnement laser de classe 1M (norme CEI 60825) !

Ne jamais regarder directement la lumière avec des instruments d'optique.

Seuls le service clientèle ou des techniciens qualifiés sont autorisés à réparer ces éclairages.

Économies d'énergie

- Installer l'appareil dans un endroit sec et bien aéré, à l'abri du soleil et éloigné de toute source de chaleur (radiateur, poêle, etc.).
Utiliser une plaque isolante, si nécessaire.
- Faire refroidir les boissons et les aliments chauds à température ambiante avant de les mettre dans l'appareil.
- Placer les aliments congelés dans le compartiment réfrigérateur pour les décongeler et utiliser la température basse de ceux-ci pour rafraîchir les autres aliments.
- Ouvrir les portes de l'appareil le moins longtemps possible.
- Dans le cas d'une panne de courant ou d'une défaillance, pour empêcher que les aliments se réchauffent rapidement, placer des blocs de glace dans le compartiment supérieur; directement sur les aliments.
- Veiller à ce que la porte du compartiment congélateur soit toujours fermée.
- L'organisation des équipements n'a aucune incidence sur la consommation d'énergie de l'appareil.
- Pour éviter toute augmentation de la consommation d'énergie, nettoyer à l'occasion les ouvertures d'aération à l'aide d'une brosse douce ou d'un aspirateur.

Bruits liés au fonctionnement

Bruits normaux

Bourdonnement

L'unité de réfrigération fonctionne. Le ventilateur du système de circulation d'air fonctionne.

Gargouillis, murmures ou légers clapotis

Du réfrigérant circule dans les tubulures ou de l'eau circule dans le distributeur de glaçons.

Le moteur fait tourner le plateau à glaçons pour les éjecter dans le bac à glace.

Cliquetis

Le moteur se met en marche ou s'arrête. Le robinet électromagnétique situé au branchement de l'eau s'ouvre ou se ferme.

Bruit de chute

Des glaçons du distributeur de glaçons chutent dans le bac.

Résolution de problèmes de bruit simples

L'appareil n'est pas d'aplomb

Mettre le réfrigérateur à niveau à l'aide d'un niveau à bulle. Ajuster ensuite les pieds réglables ou placer un objet sous les pieds.

L'appareil touche des unités ou des appareils adjacents

Éloigner l'appareil des unités ou appareils adjacents.

Tiroirs, paniers ou surfaces de rangement mal fixés ou coincés

Vérifier les pièces amovibles puis, le cas échéant, les réinstaller correctement.

Des contenants se touchent

Éloigner légèrement les bouteilles ou contenants les uns des autres.

Correction par soi-même de défaillances mineures

Avant d'appeler le service clientèle :

Vérifier s'il est possible de corriger la défaillance par soi-même à l'aide des remarques ci-dessous.

L'appareil

Problème	Cause possible	Solution
L'appareil ne refroidit/congèle pas.	Panne de courant. Le disjoncteur est désactivé.	Vérifier que l'appareil est alimenté. Vérifier le disjoncteur.
L'éclairage ne fonctionne pas. Le bandeau ne s'allume pas.	La prise électrique n'est pas correctement branchée.	Vérifier que la prise électrique est branchée correctement.
L'unité de réfrigération s'active à un rythme croissant et pendant de plus longues périodes.	La porte de l'appareil est ouverte fréquemment. Les ouvertures d'aération sont recouvertes. Placement de grandes quantités d'aliments dans l'appareil.	Ne pas ouvrir les portes de l'appareil inutilement. Retirer toute obstruction. Activer la fonction refroidissement rapide/ congélation rapide.
Le compartiment réfrigérateur/ congélateur est trop froid.	La température réglée est trop basse.	Définir une température plus élevée.
L'éclairage (DEL) ne fonctionne pas.	L'éclairage (DEL) est défectueux. L'interrupteur de l'éclairage reste bloqué. La porte de l'appareil est restée ouverte trop longtemps. Les lumières s'éteignent après environ dix minutes.	Voir la section « Éclairage DEL ». Vérifier qu'il est possible de déplacer l'interrupteur. Après avoir fermé et ouvert la porte de l'appareil, l'éclairage s'allume de nouveau.
Présence d'odeurs désagréables.	Des aliments présentant une forte odeur ne sont pas placés dans des contenants hermétiques.	Nettoyer l'appareil. Placer les aliments présentant une forte odeur dans des contenants hermétiques afin de prévenir les odeurs (voir la section « Odeurs »).
Une sonnerie d'avertissement retentit ou l'indicateur de température clignote. La température du compartiment congélateur ou réfrigérateur est trop élevée. La conservation des aliments est mise en péril.	Une porte de l'appareil est ouverte. Trop d'aliments ont été stockés en même temps.	Voir la section « Fonctions d'alarme ».
Le compartiment des aliments frais (le cas échéant) ne se refroidit pas.	Mettre l'appareil hors tension (panne de courant ou prise de courant débranchée).	Redéfinir la température souhaitée.

Distributeur de glaçons

Problème	Cause possible	Solution
Le distributeur de glaçons ne fonctionne pas.	Le distributeur de glaçons n'est pas branché à l'alimentation électrique.	Appeler le service clientèle.
	Le distributeur de glaçons n'est pas approvisionné en eau.	S'assurer que l'alimentation en eau est branchée correctement.
	La température du compartiment congélateur est trop élevée.	Vérifier le réglage de la température du compartiment congélateur et la régler un peu plus froide, si nécessaire.
Le distributeur de glaçons ne fabrique pas assez de glaçons ou ils sont déformés.	L'appareil ou le distributeur de glaçons vient seulement d'être allumé.	Environ 24 heures sont nécessaires pour que la production de glaçons commence.
	Une grande quantité de glace a été utilisée.	Environ 24 heures sont nécessaires pour remplir à nouveau le contenant à glaçons.
	La pression de l'eau est basse.	L'appareil doit seulement être raccordé à une alimentation en eau présentant la pression spécifiée (voir la section « Branchement de l'appareil », « Raccordement de l'eau »).
	Le filtre à eau est bouché ou usé.	Remplacer le filtre à eau.
	La température du compartiment congélateur est trop élevée.	Régler la température du compartiment congélateur pour qu'elle soit plus basse.
Le distributeur de glaçons ne fabrique pas de glaçons.	Le distributeur de glaçons est éteint.	Allumer le distributeur de glaçons.
	L'appareil n'est pas alimenté en eau.	Contactez votre installateur ou votre service des eaux.
	Le tuyau d'alimentation en eau est pincé.	Couper l'alimentation en eau au robinet d'isolement. Rectifier tout pincement ou faire remplacer le tuyau si nécessaire.
	La pression de l'eau est basse.	L'appareil doit seulement être raccordé à une alimentation en eau présentant la pression spécifiée (voir la section « Branchement de l'appareil », « Raccordement de l'eau »).
	La température du compartiment congélateur est trop élevée.	Régler la température du compartiment congélateur un peu plus froide.
	Le contenant à glaçons n'est pas correctement inséré.	Vérifier la position, l'insérer de nouveau si nécessaire.
	Installation inadéquate du robinet d'isolement.	Des robinets d'isolement inappropriés peuvent diminuer la pression de l'eau et causer des dommages sur l'appareil.
De la glace se forme dans le tuyau d'alimentation du distributeur de glaçons.	La pression de l'eau est basse.	Couper l'alimentation en eau au robinet d'isolement. Rectifier tout pincement ou faire remplacer le tuyau si nécessaire.
	Le robinet d'isolement n'est pas complètement ouvert.	Ouvrir complètement le robinet d'isolement.
De l'eau s'écoule de l'appareil.	Le tuyau de raccordement d'eau fuit.	Faire remplacer le tuyau par un tuyau de rechange d'origine du fabricant.
	Installation inadéquate du robinet d'isolement.	Des robinets d'isolement inappropriés peuvent diminuer la pression de l'eau et causer des dommages sur l'appareil.
Aucune eau ne sort du distributeur d'eau.	La soupape de non-retour n'a pas correctement été installée.	Vérifier la direction de l'écoulement, des flèches sur la soupape anti-retour indique la direction de l'écoulement.
	Le tamis est bouché.	Couper l'alimentation en eau au robinet d'isolement. Retirer et nettoyer le tamis.

Service clientèle

Vérifier s'il est possible de résoudre le problème par soi-même à l'aide des renseignements fournis à la section intitulée « Correction par soi-même de défaillances mineures ».

Si ces renseignements s'avèrent insuffisants pour résoudre le problème, le service clientèle de Bosch offre de l'aide supplémentaire.

États-Unis :

Contactez le Bosch Customer Interaction Center en appelant le 1-800-944-2904 (numéro sans frais).

Canada :

Contactez votre société de services Bosch Canada désignée ou appelez le 1-800-944-2904.

Afin de mieux vous aider, inscrivez les renseignements relatifs à votre appareil ci-dessous, pour consultation ultérieure :

Nom du revendeur :

Adresse :

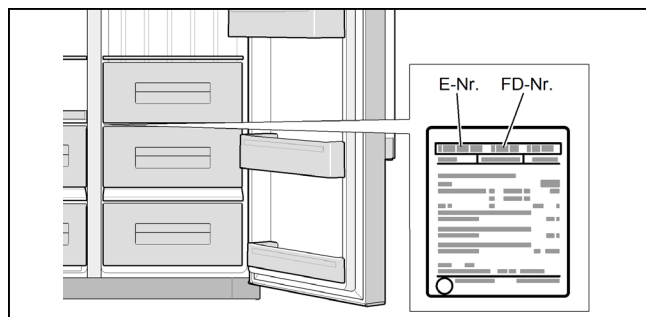
Numéro de téléphone :

Date d'achat :

Numéro de modèle (numéro E) :

Numéro de série (numéro FD) :

Fournir au technicien le numéro du modèle (numéro E) et le numéro de série (numéro FD) de l'appareil.



Vous trouverez ces renseignements sur la plaque signalétique.


es Índice

Instrucciones de seguridad importantes	61
Información sobre residuos	62
Alcance del suministro	63
Instalar el aparato	63
Dimensiones de instalación	65
Ángulo de apertura de la puerta	66
Conectar el aparato	66
Ajustar las puertas	69
Familiarizarse con el aparato	70
Encendido del aparato	72
Configurar la temperatura	72
Función de enfriamiento rápido	72
Función de congelación rápida	73
Bloqueo del panel	73
Funciones de alarma	73
Unidades de temperatura	74
Modo de ahorro de energía	74
Símbolo de filtro de agua	74
Capacidad útil	75
Compartimiento del refrigerador	75
Compartimiento del congelador	75
Capacidad de congelación máx.	76
Congelar alimentos	76
Adquisición y almacenado de alimentos ultracongelados	76
Descongelamiento de alimentos congelados	76
Dispensador de hielo y agua	77
Filtro de agua	79
Hoja de datos de rendimiento	81
Accesorios	82
Apagar y desconectar el aparato	83
Descongelar	83
Limpieza del aparato	83
Olores	84
Luz LED	84
Ahorro de energía	84
Ruidos de funcionamiento	84
Solucionar fallas menores	85
Servicio de atención al cliente	87


Instrucciones de seguridad importantes

LEA ESTAS INSTRUCCIONES Y CONSÉRVELAS

Definiciones

 **ADVERTENCIA**

Indica que, en caso de incumplimiento de esta instrucción, pueden producirse lesiones graves o incluso la muerte.

 **PRECAUCIÓN**

Indica que, en caso de incumplimiento de esta instrucción, pueden producirse lesiones leves o moderadas.

AVISO

Indica que, en caso de incumplimiento de esta instrucción, pueden producirse daños al aparato u otros daños materiales.

Nota:

Esto alerta de información importante y/o consejos.

ADVERTENCIA: Antes de encender el aparato

Lea atentamente las instrucciones de uso e instalación, incluidas las siguientes. Contienen información importante de seguridad e instrucciones para la instalación, el uso y el mantenimiento del aparato.

El fabricante no asumirá ninguna responsabilidad en caso de incumplimiento de estas instrucciones y advertencias. Conserve todos los documentos para su uso futuro o para el siguiente propietario.

Seguridad técnica

Las instalaciones o reparaciones inadecuadas pueden suponer un riesgo para el usuario.

Todas las reparaciones deben ser efectuadas por un técnico de servicio autorizado.

Utilice siempre refacciones originales suministradas por el fabricante. Solo las refacciones originales suministradas por el fabricante cumplen con los requisitos de seguridad.

Si el cable de alimentación del aparato se daña, deberá ser reemplazado por un técnico de servicio autorizado.

El aparato está provisto de un cable de alimentación de 3 polos certificado por UL.

Nunca corte ni extraiga la tercera clavija (de conexión a tierra) del cable de alimentación.

Este aparato necesita una toma de corriente de pared de 3 polos con conexión a tierra. La toma de corriente de pared debe ser instalada por un electricista calificado de acuerdo a la normativa local vigente.

En caso de que en la pared exista un receptáculo de toma de corriente estándar de 2 polos, es responsabilidad del cliente hacerlo cambiar por un tomacorriente de 3 polos correctamente conectado a tierra. No utilice adaptadores de enchufe.

Información importante acerca del uso del aparato

- Nunca utilice dispositivos eléctricos dentro del aparato. **¡Riesgo de explosión!**
- No utilice limpiadoras a vapor para desempañar o limpiar el aparato. El vapor podría penetrar en los componentes eléctricos y provocar un cortocircuito. **¡Riesgo de descarga eléctrica!**
- No utilice objetos puntiagudos ni filosos para eliminar la escarcha o el hielo acumulado. Podría dañar los conductos de refrigerante. En caso de fuga, el refrigerante puede incendiarse o causar lesiones oculares.
- No almacene en el aparato productos que contengan propelentes inflamables (p. ej., aerosoles) o sustancias explosivas. **¡Riesgo de explosión!**
- No se suba ni se apoye en la base, los cajones, las puertas ni ninguna otra parte del aparato. Podría dañar el aparato o lesionarse usted mismo.
- Para limpiar el aparato, desenchufe el cable de alimentación o desconecte el interruptor o el fusible de la instalación eléctrica. No desenchufe el cable de alimentación jalando de él.
- Las botellas con un alto contenido de alcohol deben cerrarse herméticamente y almacenarse en posición vertical.
- Mantenga las piezas de plástico y los sellos de las puertas libres de aceite y grasas. De no hacerlo, las piezas y los sellos se volverán porosos.
- No cubra ni bloquee las ventilas del aparato. De lo contrario, el aparato se verá forzado a trabajar con más potencia y consumirá más energía.
- No permita a los niños usar el aparato sin la supervisión de un adulto.
- No almacene en el compartimiento del congelador bebidas embotelladas o enlatadas (sobre todo si son carbonatadas). **¡Las botellas o latas podrían explotar!**
- No introduzca en su boca paletas ni cubitos de hielo recién salidos del compartimiento del congelador. **¡Riesgo de quemaduras por baja temperatura!**
- No toque superficies ni alimentos congelados en el congelador con las manos mojadas. La piel podría quedarse adherida a estas superficies extremadamente frías. **¡Riesgo de lesiones!**
- No raspe la escarcha o el hielo acumulado con un cuchillo u otro objeto puntiagudo. Podría dañar el aparato o lesionarse usted mismo.



Instrucciones de seguridad importantes

LEA ESTAS INSTRUCCIONES Y CONSÉRVELAS

Hogares con niños



ADVERTENCIA

¡Riesgo de asfixia por las cajas de cartón y película de plástico! Mantenga el embalaje y los elementos de embalaje fuera del alcance de los niños.

¡No permita que los niños jueguen con el aparato! Si el aparato tiene cerradura, mantenga la llave fuera del alcance de los niños.

Requisitos generales

Este aparato sirve para:

- refrigerar alimentos
- congelar alimentos
- producir hielo
- dispensar agua para beber.

Este aparato está concebido para un uso doméstico y en ambientes residenciales.

El circuito de refrigeración ha sido probado previamente en fábrica para comprobar que no haya fugas.

Advertencias en virtud de la Proposición 65 del estado de California

Este producto puede contener un químico que el Estado de California reconoce como potencialmente cancerígeno o causante de daños reproductivos. Por tanto, su producto debe llevar en su embalaje la siguiente etiqueta de conformidad con la legislación de California:

**STATE OF CALIFORNIA PROPOSITION 65 WARNING: /
AVERTISSEMENT ISSUE DE LA PROPOSITION 65
DE L'ÉTAT DE LA CALIFORNIE:**



**WARNING /
AVERTISSEMENT**

Cancer and Reproductive Harm / Cancer et dommages à la reproduction - www.P65Warnings.ca.gov.

Información sobre residuos

♻ Desecho del embalaje

El embalaje protege al aparato contra los daños de transporte. Todos los materiales usados son seguros para el medio ambiente y reciclables. Para ayudarnos con esta tarea, deseche los materiales de embalaje de un modo respetuoso con el medio ambiente.

Retirar todos los materiales de embalaje tales como láminas protectoras sobre los anaqueles, cajones y superficies tras la instalación y antes de la puesta en funcionamiento del aparato.

Antes de desechar el embalaje, extraiga las asas.

Consulte al distribuidor o a la autoridad local acerca de los medios vigentes para la eliminación de residuos.

♻ Desecho del aparato usado

¡Los aparatos usados son útiles! Reciclar aparatos usados permite recuperar materias primas valiosas.



ADVERTENCIA

¡Riesgo de atrapamiento de niños!

Los niños pueden quedar encerrados en el aparato.

Antes de desechar el refrigerador usado:

Extraiga las puertas y el cajón del compartimiento del congelador.

Deje los anaqueles y contenedores en su lugar para que los niños no puedan meterse fácilmente al interior.

Para desechar los aparatos de manera adecuada:

1. Desconecte el enchufe de alimentación.
2. Corte el cable de alimentación y deséchelo junto con el enchufe.
3. No extraiga las bandejas ni los anaqueles. De esta manera impide que los niños puedan meterse al interior.
4. No permita que los niños jueguen con el aparato.
¡Peligro de asfixia!

Los refrigeradores contienen refrigerantes y sus aislantes contienen gases. Los refrigerantes y los gases deben desecharse adecuadamente. Siga la normativa local de eliminación de residuos. Antes de la eliminación, asegúrese de que los conductos del circuito de refrigerante no estén dañados.

⚠ Instrucciones de seguridad importantes

LEA ESTAS INSTRUCCIONES Y CONSÉRVELAS

Alcance del suministro

Tras desembalar todas las piezas, compruebe que no existan daños de transporte.

Si se detectan daños, no enchufe el aparato.

Póngase en contacto con el distribuidor.

Artículos suministrados:

- Aparato independiente
- Accesorios interiores (según modelo)
- Bolsa de materiales de instalación
- Instrucciones de uso
- Instrucciones de instalación
- Tarjeta de registro
- Datos sobre consumo de energía y emisiones acústicas

Instalación del aparato

La instalación y conexión del aparato debe llevarla a cabo un técnico calificado de acuerdo a las instrucciones de instalación suministradas.



ADVERTENCIA

No instale el aparato:

- en exteriores,
- en entornos expuestos a salpicaduras de agua,
- en lugares sometidos a temperaturas de congelación.

Transporte

El aparato es muy pesado y por lo tanto, debe asegurarlo durante el transporte y la instalación.

Las ruedas se suministran solo para fines de instalación.

No use las ruedas para transportar el aparato.



ADVERTENCIA

¡Riesgo de lesiones!

El aparato es muy pesado. Durante el transporte y la instalación, puede volcarse y provocar lesiones graves. Para instalar el aparato de manera segura se necesitan al menos dos personas. Mantenga cerradas las puertas del refrigerador hasta que el aparato se encuentre en posición vertical y correctamente nivelado en el lugar de instalación.

Las superficies ocultas pueden tener bordes afilados. Use guantes de protección durante el transporte. Tenga precaución al tocar la parte posterior o inferior del aparato.

Lugar de instalación



ADVERTENCIA

¡Riesgo de explosión!

No instale el aparato cerca de sustancias explosivas o inflamables.

Elija para la instalación un lugar seco y bien ventilado. El lugar de instalación no debe estar expuesto a la luz solar directa ni cerca de una fuente de calor como, p. ej., una hornilla o un radiador. Si no es posible instalar el aparato lejos de toda fuente de calor, use una placa aislante adecuada o mantenga las siguientes distancias mínimas respecto a la fuente de calor:

- 1¹/₄" (3 cm) respecto a las estufas eléctricas o de gas.
- 11¹³/₁₆" (30 cm) respecto a las estufas de aceite o combustible sólido.

Para garantizar el funcionamiento correcto de la máquina de hielo, el aparato debe estar en posición vertical y bien nivelado.

Si se instala el refrigerador junto a otro refrigerador o congelador, debe dejarse un margen mínimo de 1" (25 mm) entre los dos aparatos para evitar las condensaciones.

Si se coloca un tablero o una alacena por encima del aparato, debe dejarse un margen de 1³/₃₂" (10 mm) para permitir extraer el aparato de la cavidad en caso necesario.

No obstaculice la salida de aire caliente de la parte posterior del aparato.

Si se instala el aparato en una esquina o una cavidad, deje suficiente espacio libre en las partes laterales para que las puertas puedan abrirse por completo (véase la sección «Dimensiones de instalación»).

Si la profundidad del equipamiento de cocina adyacente es superior a 29¹/₈" (75 cm), debe dejarse suficiente espacio libre en las partes laterales para poder aprovechar todo el ángulo de apertura de la puerta (véase la sección «Ángulo de apertura de la puerta»).

Suelo

AVISO

El aparato es muy pesado.
El suelo sobre el que se instale el aparato debe ser rígido. Refuércelo en caso necesario.

Peso del aparato vacío:

Modelo básico 245 lb (111 kg)

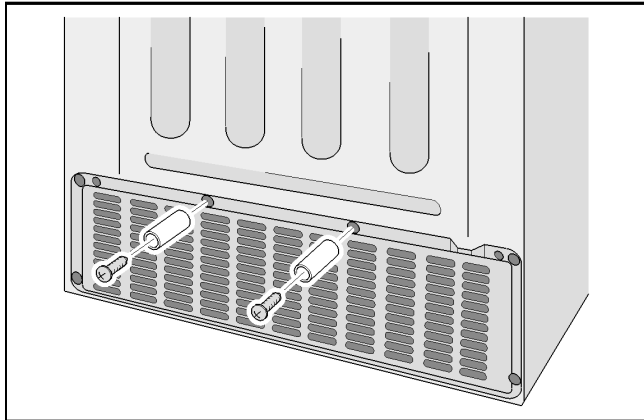
Distancia respecto a la pared

Si el aparato se coloca en la esquina de una habitación o una cavidad, deben dejarse unos espacios mínimos (véase la sección «Dimensiones de instalación») en los laterales para que las puertas del aparato se puedan abrir por completo.

Si la profundidad de los accesorios de cocina adyacentes es superior a 25.6" (65 cm), debe dejarse suficiente espacio libre en los laterales para poder aprovechar toda la anchura de apertura de la puerta (véase la sección «Ángulo de apertura de la puerta»).

Distancia mínima en la parte posterior

Fijar los espaciadores suministrados, en los orificios de la parte posterior del aparato utilizando los tornillos.



Importante:

Los espaciadores mantienen el espacio mínimo de 2" (50 mm) respecto a la pared, proporcionando así una ventilación adecuada.

Respetar la temperatura ambiente y los requisitos de ventilación

Temperatura ambiente

El aparato está diseñado para una determinada clase climática. En función de dicha clase climática, el aparato puede funcionar en la siguientes temperaturas ambiente.

La clase climática aparece especificada en la placa de características.

Clase climática	Temperatura ambiente permitida
SN	50 °F a 90 °F (+10 °C a 32 °C)
N	61 °F a 90 °F (+16 °C a 32 °C)
ST	61 °F a 100 °F (+16 °C a 38 °C)
T	61 °F a 110 °F (+16 °C a 43 °C)

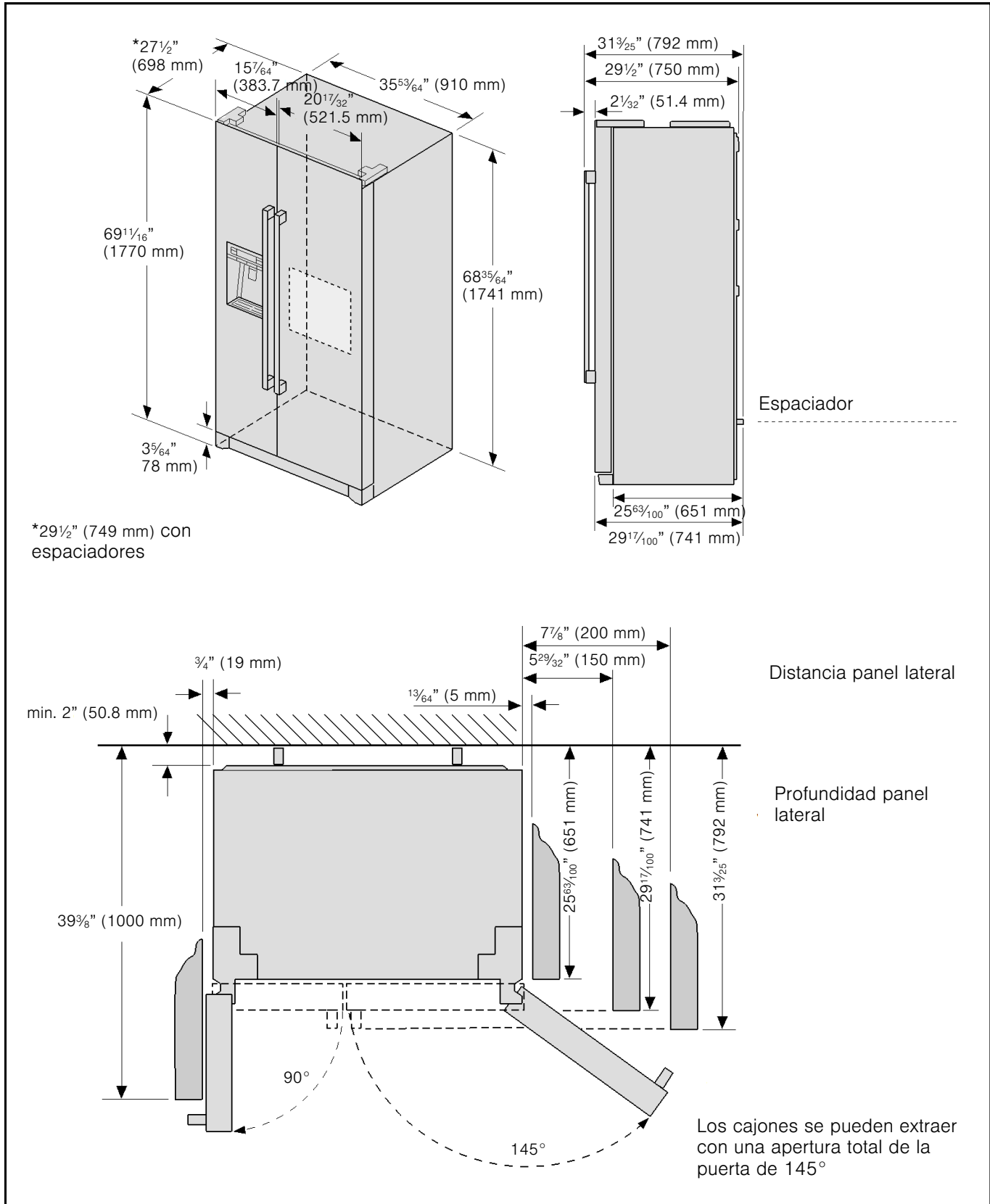
Nota:

El aparato es perfectamente funcional dentro de los límites de temperatura de la clase climática especificada. Si un aparato con la clase climática SN se hace funcionar a temperaturas ambiente menores, se pueden excluir daños en dicho aparato hasta a una temperatura de 41 °F (+5 °C).

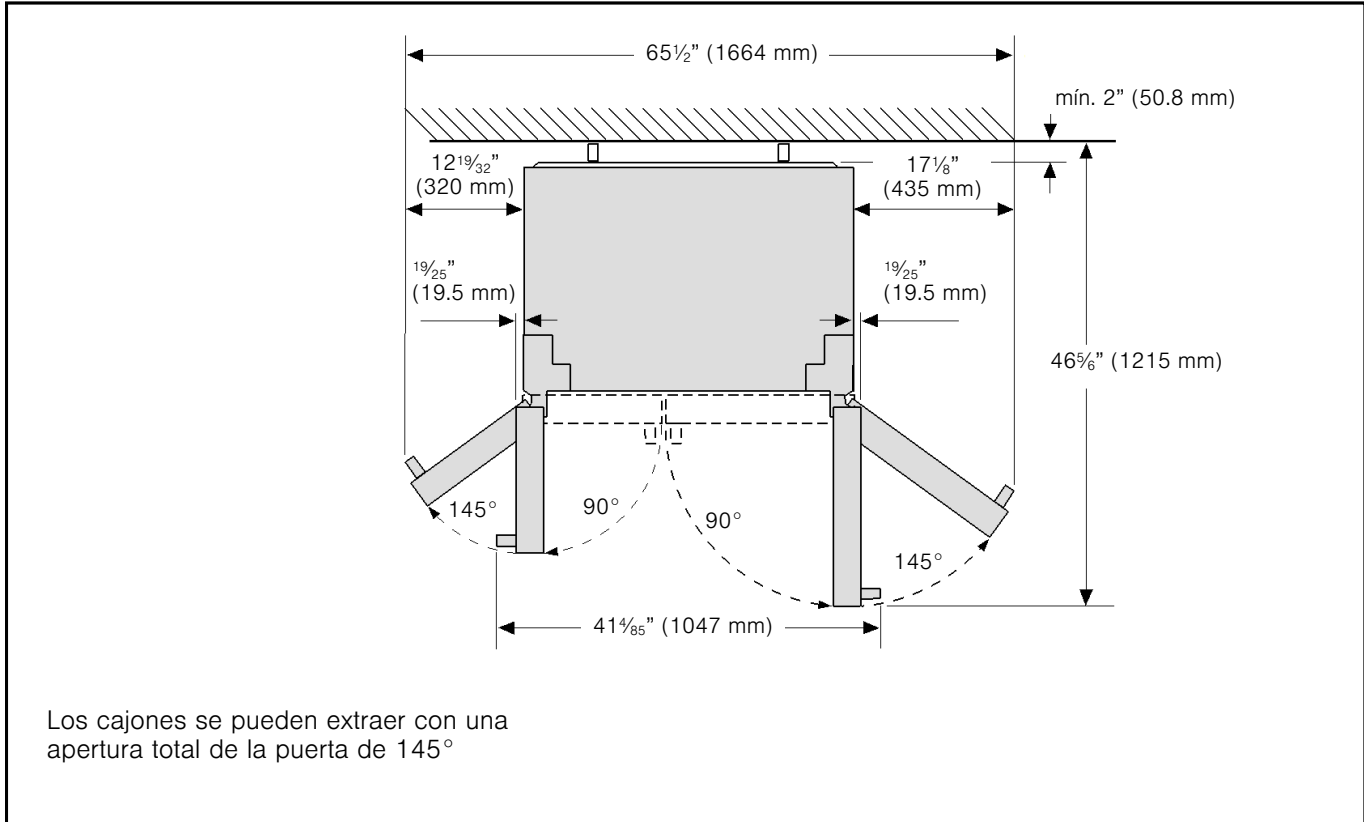
Ventilación

El aire caliente debe poder salir sin impedimentos. De lo contrario la unidad de refrigeración tiene que trabajar más, lo que se traduce en un mayor consumo de energía del aparato. Por lo tanto, no cubrir ni bloquear nunca la ventilación de aire.

Dimensiones de instalación



Ángulo de apertura de la puerta



Conectar el aparato

La instalación y conexión del aparato debe llevarlas a cabo un técnico de acuerdo a las instrucciones de instalación suministradas.

No retirar los dispositivos de protección de transporte de los anaqueles y los compartimientos de almacenamiento hasta que el aparato esté instalado y nivelado.

Conecte el agua siempre antes que la electricidad.

Además de la normativa nacional, deben cumplirse todos los códigos y requisitos de las empresas de agua y electricidad locales aplicables.

Tras instalar el aparato, esperar al menos 6 horas antes de encenderlo. Es posible que el aceite del compresor haya entrado en el sistema de refrigeración durante el transporte.

Antes de encender el aparato por primera vez, limpiar el interior del mismo (véase la sección «Limpieza del aparato»).

Conexión de agua



ADVERTENCIA

¡Riesgo de descarga eléctrica y daños al aparato!
Antes de realizar trabajos en la conexión de agua, desconecte siempre el aparato de la red eléctrica.
Solo un técnico de instalación calificado puede conectar el aparato al suministro de agua de acuerdo con la reglamentación aplicable en materia de plomería y las normativas relevantes de las compañías de suministro público de agua.

Conectar el aparato solo a la tubería de agua potable:

- Presión mínima: 14.5 psi (1.0 bar)
- Presión máxima: 116 psi (8.0 bar)



PRECAUCIÓN

Si la presión del agua es superior a 80 psi (5.5 bar), es necesario instalar una válvula reductora de presión ya que de lo contrario hay riesgo de daños por agua. Si la presión del agua es inferior a 14.5 psi (1.0 bar), la máquina de hielo no funcionará.
En caso de duda acerca del modo de comprobar la presión del agua, se debe contactar a un plomero profesional.

El agua solo debería conectarla un plomero competente de acuerdo con la normativa local de la empresa de suministro de agua apropiada.

El aparato solo se puede conectar a una tubería de agua fría.

Debería instalarse una llave interruptora por separado en la entrada de agua fría.

La llave interruptora no debería estar ubicada detrás del aparato. Se recomienda colocar la llave interruptora directamente al lado del aparato o en otra ubicación de fácil acceso.

En el momento de instalar la conexión de agua poner atención al área de instalación permitida para la tubería de agua.

Para la conexión a la tubería de agua potable usar solo tuberías de agua adecuadas para agua potable. Respetar la normativa nacional y las condiciones de conexión de las empresa de suministro de agua locales.

Para mejorar el sabor y el olor del agua puede instalarse el cartucho de filtro incluido. De hacerlo, observar las diferentes especificaciones de conexión (véase la sección «Filtro de agua»).

Nota:

Después de haber encendido el aparato puede que gotee agua desde el dispensador de agua. Al cabo de aprox. 24 horas, cuando el aparato haya alcanzado su temperatura de funcionamiento, el goteo se detendrá.

Conexión eléctrica



ADVERTENCIA

¡Riesgo de descarga eléctrica o incendio en caso de instalación incorrecta de la conexión eléctrica!

Conecte únicamente a una toma de corriente fija de 3 clavijas con conexión a tierra. La toma de corriente debe ser instalada y conectada a tierra por un electricista calificado de acuerdo a la normativa vigente. En caso necesario, un técnico calificado tiene que inspeccionar la instalación para asegurarse de que esté correctamente conectada a tierra.

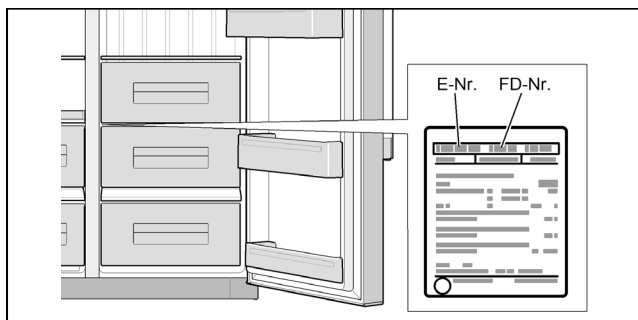
No use una extensión de cable ni un enchufe múltiple.

No conectar el aparato a enchufes electrónicos de ahorro de energía (como Ecoboy, Sava Plug, etc.) ni a inversores de corriente que convierten la corriente continua (DC) a corriente alterna (AC) (como los usados para equipos solares, generadores eléctricos a bordo de naves, etc.).

La toma de corriente debe encontrarse cerca del aparato y ser de fácil acceso, incluso después de la instalación.

Conectar el aparato a una toma de corriente de 115 V/60 Hz CA correctamente instalada. El fusible de la toma de corriente debe tener una capacidad nominal de 15 A o de 20 A.

Si se va a utilizar el aparato en un país que no sea EE. UU., compruebe la placa de características para determinar si el voltaje y el tipo de corriente especificados coinciden con los valores nominales de su red eléctrica local. Si el voltaje y el tipo de corriente no coinciden, no utilice el aparato. El cable de alimentación solo puede ser reemplazado por un electricista calificado.



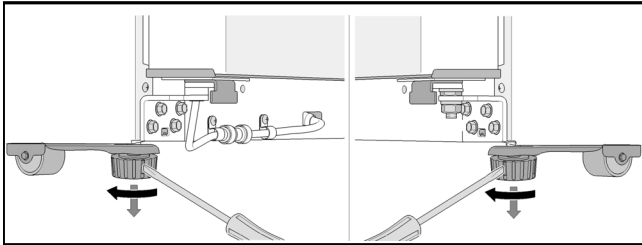
Nivelar el aparato

Nota:

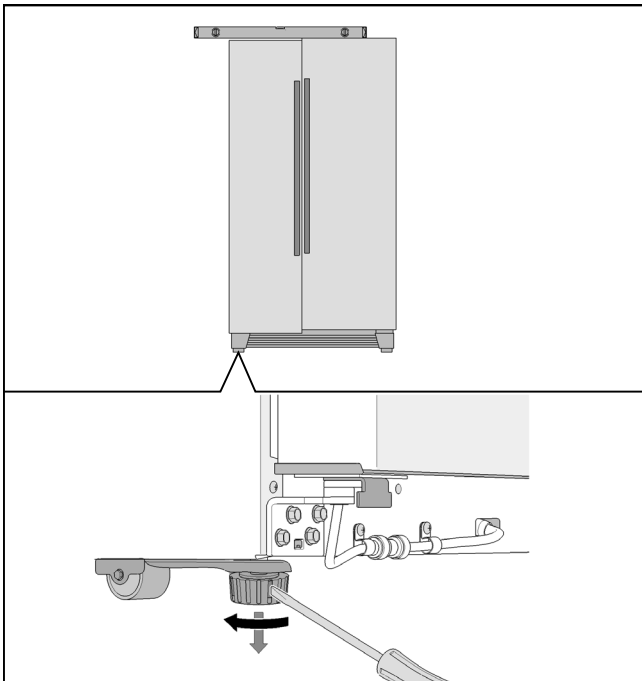
Para garantizar que funcione de modo adecuado, el aparato debe nivelarse correctamente con un nivel de burbuja.

Si el aparato no está nivelado horizontalmente ello podría provocar que el agua saliese de la máquina de hielo, que los cubitos de hielo sean de tamaño irregular o que las puertas no cierren correctamente.

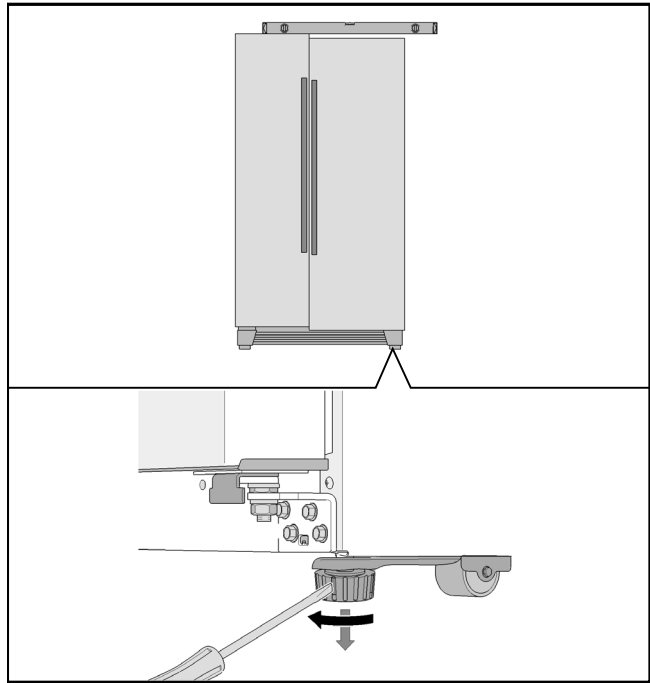
1. Desplazar el aparato hasta la posición de instalación deseada.
2. Para que el aparato no pueda moverse desenroscar las dos patas frontales hasta que estén firmemente apoyadas en el suelo.



3. Enroscar/desenroscar las patas hasta que el aparato esté perfectamente nivelado. Usar las puertas del aparato como punto de referencia.
4. Si la puerta del congelador está más baja:

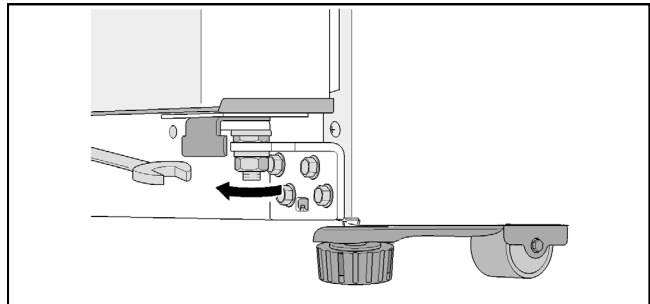


5. Si la puerta del refrigerador está más baja:

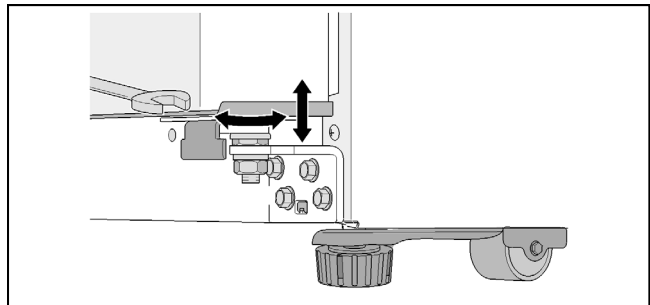


Si el aparato está totalmente nivelado pero una de las puertas está más baja que la otra:

1. Abrir las puertas del aparato.
2. Desatornillar los 3 tornillos que sujetan el panel de la base y retirarla.
3. Sacar la tuerca.

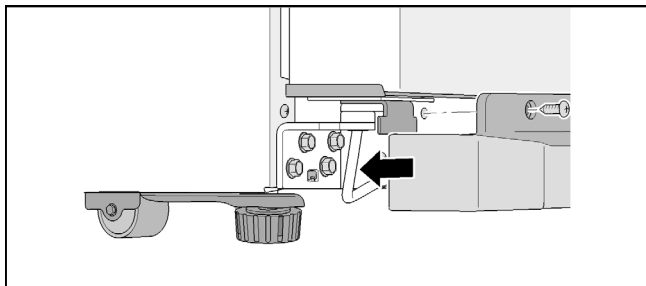


4. Girar la tuerca de ajuste hasta que las puertas del aparato estén alineadas.



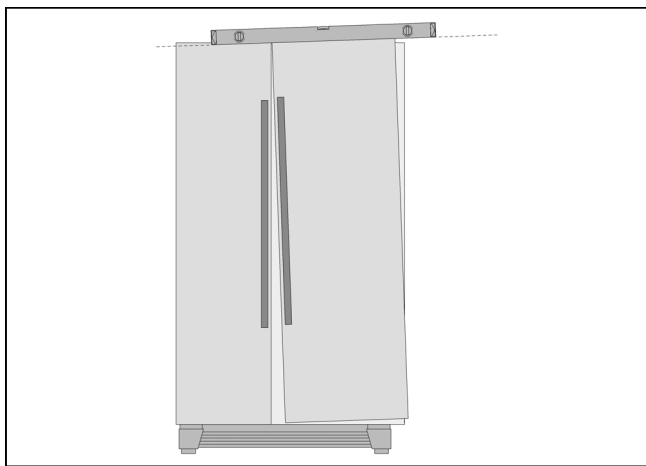
5. Si la puerta del congelador está más baja: Girar la tuerca de ajuste en sentido opuesto a las agujas del reloj.
6. Si la puerta del refrigerador está más baja: Girar la tuerca de ajuste en sentido horario.
7. Apretar la tuerca.

8. Colocar el panel de la base en su sitio y fijarlo con los 3 tornillos.



Nota:

Debido a su propio peso o cuando la puerta está llena de alimentos es posible que la puerta del compartimiento del refrigerador se incline incluso cuando el aparato está vertical. El espacio de la puerta en la parte superior y la inferior no es idéntico.

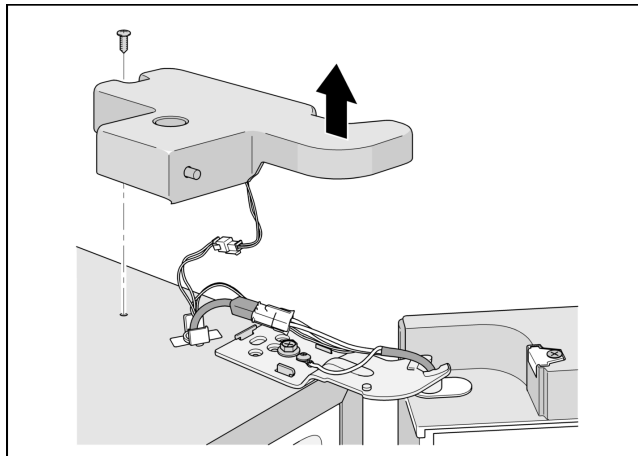


Si el espacio de la puerta en la parte superior y la inferior no es idéntico:

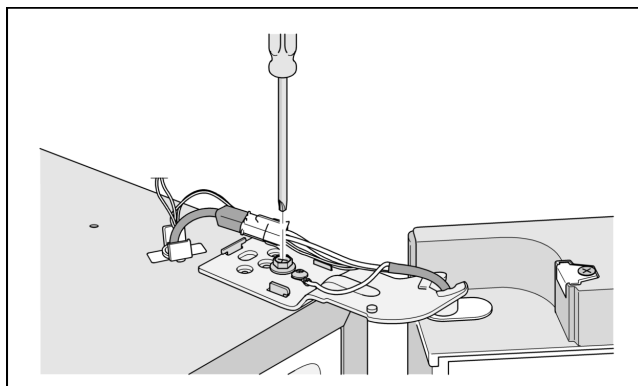


ADVERTENCIA

¡Riesgo de descarga eléctrica!
Desconectar el aparato de la red principal antes de extraer la tapa de la bisagra superior.



1. Desatornillar 2 tornillos y retirar la tapa de la bisagra superior.



2. Aflojar el tornillo de la bisagra.
 ¡No desatornillar el tornillo por completo!
3. Ajustar la alineación vertical de la puerta del compartimiento del refrigerador.
4. Apretar el tornillo de la bisagra.
5. Colocar la tapa con bisagras y sujetar con 2 tornillos.

Ajustar las puertas

Si el aparato es demasiado grande para caber por las puertas de casa se pueden desatornillar las jaladeras de las puertas o retirar las puertas.

Nota:

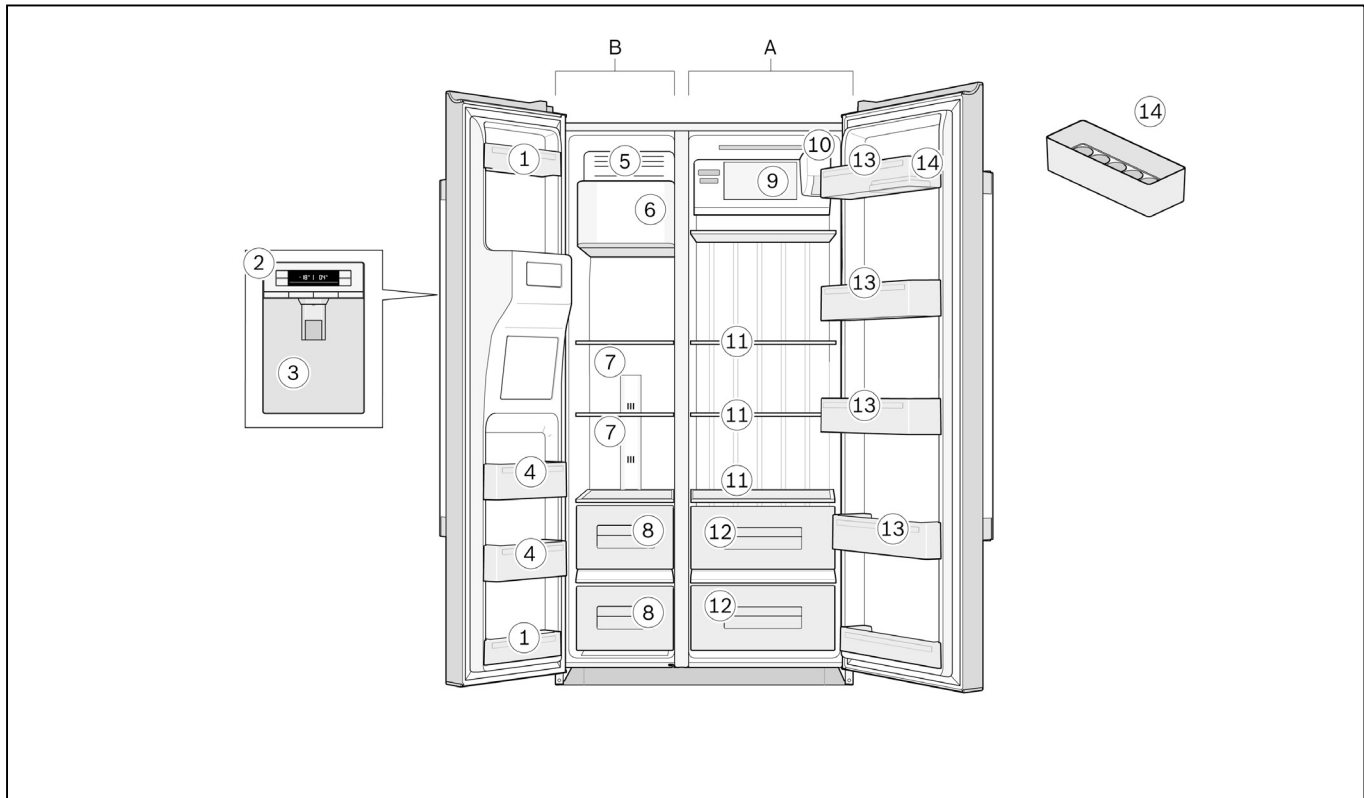
Las jaladeras de la puerta o las puertas del aparato solo pueden retirarlas un técnico de servicio autorizado. El centro de atención al cliente local le informará del costo.

Familiarizarse con el aparato

Aparato

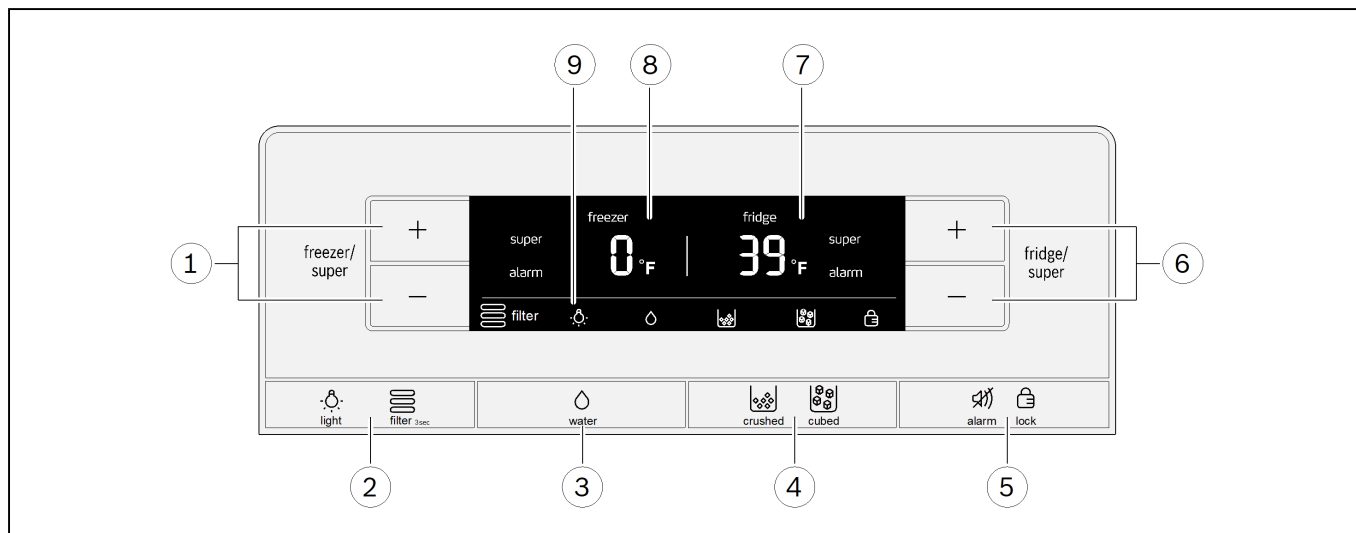
Las características pueden variar entre modelos.

Las ilustraciones pueden diferir del modelo adquirido por usted.



- A** Compartimiento del refrigerador
B Compartimiento del congelador
- 1** Gavetas de la puerta
2 Controles de operación
3 Despachador de hielo y agua
4 Gavetas de la puerta del congelador
5 Bandeja de cubitos de hielo
6 Máquina de hielo
7 Anaqueles de cristal del compartimiento del congelador
8 Cajones del compartimiento del congelador
9 Anaquel
10 Filtro de agua
11 Anaqueles de cristal del compartimiento del refrigerador
12 Cajones para verduras y otros
13 Gavetas de la puerta del refrigerador
14 Huevera

Controles de operación



1 Botones «super/congelador»

- Para ajustar la temperatura en el compartimiento del congelador.
- Para conectar y desconectar la función de congelación rápida.

2 Botón «luz/filtro»

- Activa y desactiva la luz del dispensador de agua/hielo.
- Restablece el indicador del filtro.

3 Botón «agua»

4 Botón «cubitos de hielo/hielo picado»

5 Botón «desconectar alarma/bloquear»

- Desconecta el display de la alarma de temperatura.
- Activa y desactiva el bloqueo del panel.

6 Botones «super/refrigerador»

- Para ajustar la temperatura en el compartimiento del refrigerador.
- Para conectar y desconectar la función de enfriamiento rápido.

7 Panel del display del compartimiento del refrigerador

- Temperatura del compartimiento del refrigerador.
- El símbolo «super» se muestra cuando está activa la función de enfriamiento rápido.
- El símbolo «alarma» se muestra cuando está activa la alarma del compartimiento del refrigerador.

8 Panel del display del compartimiento del congelador

- Temperatura del compartimiento del congelador.
- El símbolo «super» se muestra cuando está activa la función de congelación rápida.
- El símbolo «alarma» se muestra cuando está activa la alarma del compartimiento del congelador.

9 Símbolos del panel del display



Filtro de agua

Estado del cartucho de filtro.



Iluminación

La luz del dispensador de hielo y agua está activada.



Agua

La función de dispensador de agua está activada.



Hielo picado

La función de dispensador de hielo picado está activada.



Cubitos de hielo

La función de dispensador de cubitos de hielo está activada.



Bloqueo del panel

El bloqueo del panel está activado.

Encendido del aparato

Insertar el enchufe en la toma de corriente eléctrica.

El aparato comenzará a enfriar.

La primera vez que se conecta el aparato la función de alarma está desactivada hasta que el aparato alcanza la temperatura establecida. Si el aparato se desconecta durante un largo periodo de tiempo, la alarma de temperatura puede activarse la primera vez que se vuelva a conectar.

Las temperaturas parpadean y los paneles del display muestran el símbolo de «alarma» hasta que el aparato haya alcanzado las temperaturas establecidas.

Presionando el botón «desconectar alarma/bloquear» se desconecta la advertencia de temperatura.

Las luces se iluminan cuando se abren las puertas del aparato.

El fabricante recomienda las siguientes temperaturas y estas vienen preconfiguradas de fábrica:

- Compartimiento del refrigerador 39 °F (4 °C)
- Compartimiento del congelador 0 °F (-18 °C)

Notas sobre el uso del aparato

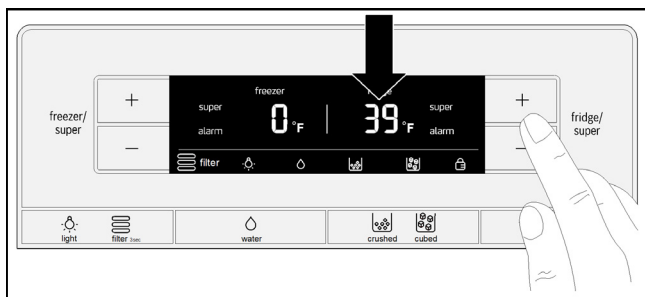
- Tras conectar el aparato este puede tardar varias horas para alcanzar las temperaturas establecidas. No colocar alimentos en el aparato antes de ese momento.
- Gracias al sistema completamente automático No Frost, el compartimiento del congelador permanece siempre sin hielo. No es necesario descongelar.
- Algunos de los extremos de las caras de la carcasa están ligeramente calefaccionados para evitar que se forme condensación en el área de la junta de la puerta.
- Si no se puede abrir la puerta del compartimiento del congelador justamente después de cerrarla, esperar un momento para que se cree baja presión para equilibrar.

Configurar la temperatura

Compartimiento del refrigerador

La temperatura puede establecerse entre 33 °F (1 °C) y 45 °F (7 °C).

Presionar repetidamente el botón «super/refrigerador + » o «super/refrigerador - » hasta ajustar la temperatura deseada del compartimiento del refrigerador.

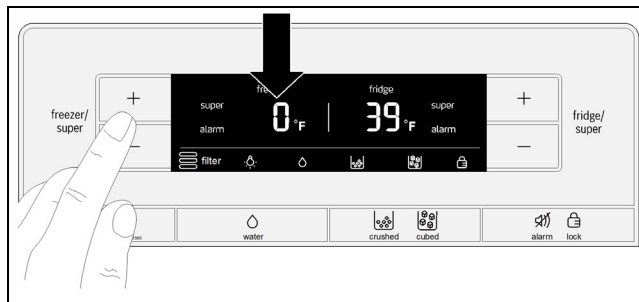


Se guarda la última temperatura establecida . La temperatura establecida se muestra en el panel del display del compartimiento del refrigerador.

Compartimiento del congelador

La temperatura puede establecerse entre 4 °F (-16 °C) y -8 °F (-22 °C).

Presionar repetidamente el botón «super/congelador + » o «super/congelador - » hasta ajustar la temperatura deseada del compartimiento del congelador.



Se guarda la última temperatura establecida . La temperatura establecida se muestra en el panel del display del compartimiento del congelador.

Función de enfriamiento rápido

El super enfriamiento reduce la temperatura del compartimiento del refrigerador hasta el mínimo posible durante aproximadamente 40 minutos. Después, se restablece automáticamente la temperatura a 39 °F (4 °C).

El super enfriamiento es especialmente recomendable en los siguientes casos:

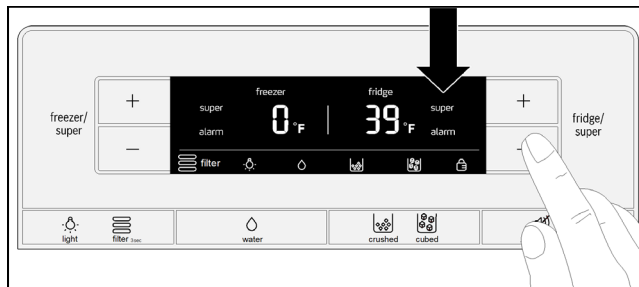
- Antes de colocar grandes cantidades de alimentos en el compartimiento del refrigerador.
- Cuando se desea enfriar bebidas rápidamente.

Nota:

Cuando está activado el enfriamiento rápido es posible que el aparato haga más ruido.

Activación

Presionar el botón «super/refrigerador - » hasta que aparezca en la parte derecha del panel del display «super» .



Desactivación

Presionar el botón «super/refrigerador + ».

Nota:

En el panel del display ya no se muestra «super». El ajuste de la temperatura regresa automáticamente a 39 °F (4 °C).

Función de congelación rápida

La comida debería congelarse por completo lo más rápido posible. Esto garantiza que se conserven las vitaminas, valores nutricionales, el aspecto y el sabor de los alimentos.

Conectar la congelación rápida unas horas antes de introducir alimentos frescos en el congelador para evitar un descenso de la temperatura.

Por lo general son suficientes 4 - 6 horas.

Cuando la función está activada, el aparato funciona continuamente. El resultado es que se consigue una temperatura muy fría en el compartimiento del congelador.

La congelación rápida se desconecta automáticamente al cabo de aprox. 48 horas.

Si se va a utilizar la capacidad máxima de congelación, la congelación rápida debería conectarse 24 horas antes de introducir los alimentos frescos en el congelador.

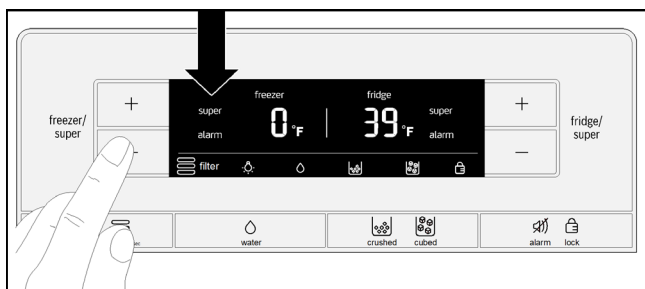
Las pequeñas cantidades de comida que se quieran congelar (hasta 4,2 lb/2 kg) se pueden congelar sin tener que usar la función de congelación rápida.

Nota:

Cuando está activada la congelación rápida es posible que el aparato haga más ruido.

Activación

Presionar el botón «super/congelador - » hasta que aparezca en la parte izquierda del panel del display «super» .



Desactivación

Presionar el botón «super/congelador + ».

Nota:

En el panel del display ya no se muestra «super». La temperatura regresa automáticamente a la temperatura establecida antes de haber activado la función de «congelación rápida».

Bloqueo del panel

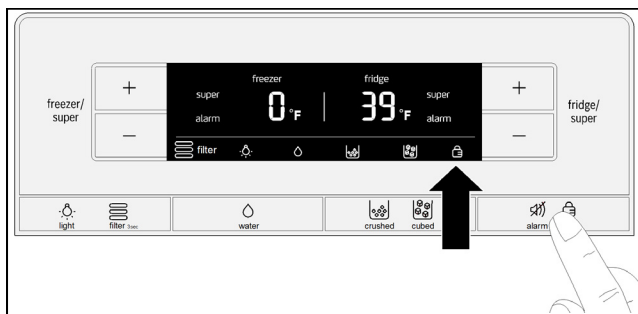
Cuando el bloqueo del panel está activado, todos los botones del panel de visualización y control están bloqueados.

Nota:

Cuando el bloqueo del panel está activado, utilizar el botón «desconectar alarma/bloquear» para desactivar la señal de advertencia.

Activación

Presionar el botón «desactivar alarma/bloquear».



El panel del display muestra el símbolo «bloquear panel».

Desactivación

Mantener presionado el botón «luz/filtro» durante 3 segundos.

Funciones de alarma

Alarma de la puerta

La alarma de la puerta suena si una de las puertas del aparato se mantiene abierta durante más de un minuto. El sonido de advertencia se repite cada 60 segundos durante un periodo 5 minutos. Cerrar la puerta apaga el sonido de la alarma.

Alarma de temperatura

El panel del display muestra la alarma de temperatura si el compartimiento del refrigerador o congelador se calienta demasiado y ello supone un peligro para la comida.

El panel del display relevante muestra la temperatura más alta y «alarma».

Compartimiento del refrigerador

Si la temperatura del compartimiento del refrigerador ha subido demasiado, antes de comer cualquier alimento que se haya puesto templado, asegurarse de calentarlo bien a fondo. En caso de duda no utilizar la comida cruda.

Compartimiento del congelador

No volver a congelar comida descongelada. Esta solo puede volver a congelarse tras haberse transformado en una comida lista para comer (cocinada o asada).

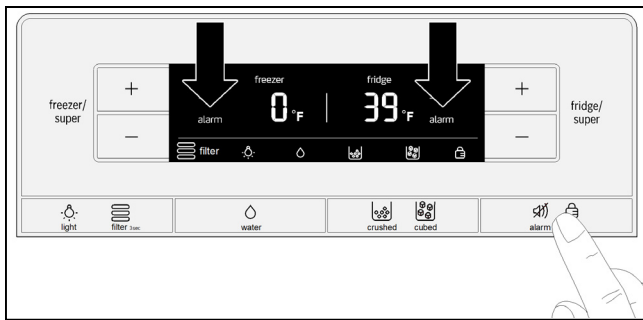
No dejar la comida en el refrigerador durante el periodo máximo de almacenamiento.

Sin que esto suponga ningún riesgo para la comida congelada, la alarma puede activarse:

- la primera vez que se usa el aparato.
- al colocar grandes cantidades de alimentos frescos en el congelador.
- si la puerta del congelador se deja abierta demasiado tiempo.

Desconectar la alarma

Presionar el botón «desconectar alarma/bloquear».



Nota:

Tan pronto como se vuelve a alcanzar la temperatura establecida, el display deja de mostrar «alarma».

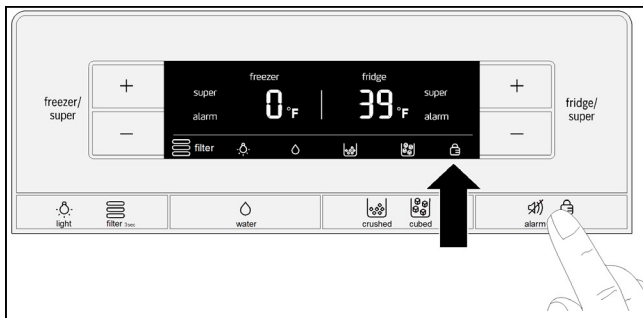
Unidades de temperatura

La temperatura puede mostrarse en las escalas Celsius (°C) o Fahrenheit (°F).

La primera vez que se enciende el aparato, el panel del display muestra la temperatura en la escala Fahrenheit (°F).

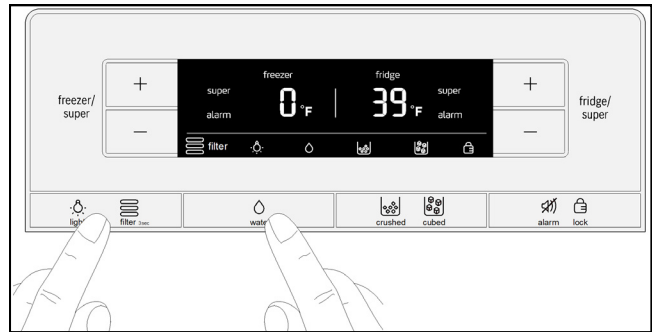
Configurar

1. Presionar el botón «desconectar alarma/bloquear».



El panel del display muestra el símbolo «bloquear panel».

2. Presionar a la vez y mantener presionados los botones «luz/filtro» y «agua» durante 10 segundos.



Las unidades de temperatura cambian.

Modo de ahorro de energía

Al cabo de 20 segundos tras cerrar las puertas o que se pulse el último botón, el panel del panel cambia al modo de ahorro de energía. El panel del display se apaga y solo muestra débilmente iluminadas las palabras «congelador» y «refrigerador» y el símbolo del modo de dispensador seleccionado (agua, cubitos de hielo, picado).

Tan pronto como se abre una puerta o se presiona un botón, el panel del display se conecta y vuelve a su brillo normal.

Símbolo de filtro de agua

El símbolo indica durante cuánto tiempo más se puede usar todavía el cartucho del filtro.



Hasta seis meses



Hasta cuatro meses



Hasta dos meses



Hasta 10 días:

las tres barras del símbolo comienzan a parpadear.

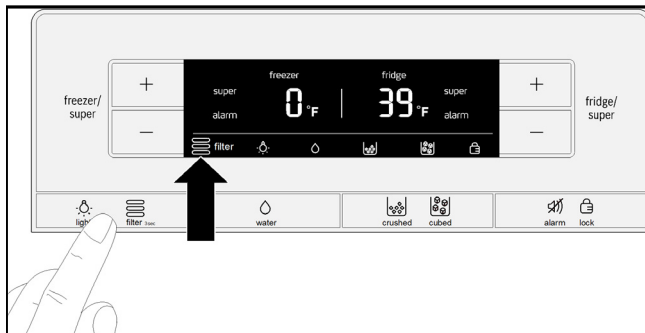
Cambiar el cartucho de filtro.

Nota:

Aunque el aparato esté apagado o desconectado, el indicador del filtro de agua no se reinicia.

Tras cambiar el cartucho de filtro, restablecer el indicador de filtro de agua de la forma siguiente:

Presionar y mantener presionado el botón «luz/filtro» durante 3 segundos.



El símbolo dejará de parpadear.

Capacidad útil

Usar toda la capacidad de congelación

Para acomodar la máxima cantidad de comida congelada se pueden retirar todos los accesorios del interior del aparato. Después se puede colocar la comida directamente en los anaqueles y en el fondo del compartimiento del congelador.

Cómo retirar y volver a colocar los accesorios aparece descrito en la sección Accesorios.

Compartimiento del refrigerador

El compartimiento del refrigerador es el lugar adecuado para guardar comidas preparadas, pan y galletas, mermeladas y conservas, leche condensada y quesos de pasta dura.

A la hora de colocar la comida en el refrigerador respetar estas directrices:

- Guardar la comida fresca y sin manipular en el refrigerador. De esa forma aguantará más y permanecerá fresca más tiempo.
- En caso de los productos listos para preparar y comida y líquidos envasados, poner atención a la fecha de consumo preferente o de caducidad indicada por el fabricante.
- Para conservar el sabor, color y frescura mantener la comida bien envasada o tapada. Esto también evita que los sabores se mezclen y que las piezas de plástico del compartimiento del refrigerador se decoloren.
- Dejar que los alimentos y bebidas calientes se enfríen antes de introducirlos en el aparato.

Nota:

Evitar que la comida entre en contacto con el panel posterior; de lo contrario, la circulación del aire se verá obstruida.

La comida o el empaquetado también se podrían congelar y quedar pegados al panel trasero.

Poner atención a las zonas de temperatura en el compartimiento del refrigerador

La circulación de aire crea diferentes zonas de temperatura en el compartimiento del refrigerador:

- Las zonas más frías están próximas al panel trasero.
- La zona más caliente es la parte más alta de la puerta.

Nota:

Mantener los alimentos como quesos duros y mantequilla en la zona más caliente. Eso permitirá que el queso siga desarrollando su sabor y la mantequilla resultará más fácil de untar.

Compartimiento del congelador



ADVERTENCIA

¡Riesgo de explosión!

No almacene en el aparato productos que contengan propelentes inflamables (p. ej., aerosoles) ni sustancias explosivas o de combustión fácil.

AVISO

Mantener la puerta del compartimiento del congelador cerrada en todo momento. Si la puerta está abierta, los alimentos congelados se descongelarán. El compartimiento del congelador se cubrirá de una capa de hielo grueso. Además, se perderá energía debido al aumento del consumo eléctrico.

Al cerrarse la puerta del compartimiento del congelador, se produce una caída de presión en el interior del compartimiento.

Si no se puede abrir la puerta del compartimiento del congelador al primer intento, espere dos o tres minutos hasta que la presión se haya estabilizado.

Use el compartimiento del congelador para

- almacenar productos ultracongelados
- congelar alimentos
- producir y almacenar cubitos de hielo.

Capacidad de congelación máx.

Condiciones para usar la capacidad de congelación máxima

- Conectar la función de congelación rápida antes de colocar la comida en el congelador (véase la sección «Función de congelación rápida»).
- Retirar los accesorios del compartimiento del congelador.
- Colocar la comida directamente en los anaqueles y en el fondo del compartimiento del congelador.

Nota:

No cubrir las ranuras de ventilación del panel posterior con la comida que se quiere congelar.

- Preferentemente las grandes cantidades de comida para ser congelada deberán colocarse en el compartimiento superior. Así se congelará rápidamente y, por lo tanto, sin que nada afecte a la calidad de la comida.

Congelar alimentos

Congele únicamente productos frescos y en perfecto estado. Separe los alimentos que van a congelarse de los ya congelados. Coloque los alimentos en contenedores herméticos para evitar que pierdan sabor o se sequen.

Cómo envolver correctamente los alimentos

- Compruebe que el empaque no esté dañado.
- Compruebe la fecha de caducidad.
- Cierre el empaque herméticamente.
- Rotule el empaque indicando su contenido y la fecha.

Artículos no adecuados para envolver alimentos:

Papel de envolver, papel encerado, celofán, bolsas de basura y bolsas del supermercado usadas.

Artículos adecuados para envolver alimentos:

Película de plástico, película de polietileno extruido, papel de aluminio y latas adecuadas para congelación.

Estos productos pueden adquirirse en su establecimiento habitual.

Artículos adecuados para cerrar herméticamente alimentos empaquetados:

Cintas de hule, clips de plástico, cordones, cinta adhesiva resistente al frío o artículos similares.

Las bolsas y el film de polietileno extruido pueden cerrarse herméticamente usando un sellador de película.

Duración de almacenamiento de los alimentos congelados

La duración de almacenamiento varía según el tipo de alimento.

Con una temperatura de 0 °F (-18 °C):

- Pescados, embutidos, alimentos preparados, pasteles y repostería:
hasta **6 meses**
- Quesos, aves y carnes:
hasta **8 meses**
- Frutas y verduras:
hasta **12 meses**

Adquisición y almacenado de alimentos ultracongelados

Cuando compre alimentos ultracongelados, siga estas indicaciones:

- Coloque el alimento en el empaque.
- Extraiga todo el aire.
- La temperatura del congelador del supermercado debe estar por debajo de 0 °F (-18 °C). Si no es así, se acortará la duración de almacenamiento de los alimentos ultracongelados.
- Durante la compra, espere hasta el último momento para sacar los alimentos ultracongelados del congelador. Envuélvalos en papel periódico o guárdelos en una bolsa de congelación para llevarse a casa.
- Una vez en casa, meta los alimentos ultracongelados inmediatamente en el compartimiento del congelador. Consumir los alimentos ultracongelados antes de la fecha de caducidad.

Descongelamiento de alimentos congelados



PRECAUCIÓN

¡Riesgo de intoxicación!

No vuelva a congelar los alimentos ya descongelados o que hayan empezado a descongelarse. Los alimentos no pueden volver a congelarse hasta que estén cocinados (hervidos o fritos). Consuma estos productos recongelados antes de agotarse el periodo máximo de almacenamiento.

Dependiendo del tipo de alimento y su utilización prevista, los alimentos pueden descongelarse del modo siguiente:

- a temperatura ambiente
- en el refrigerador
- en un horno eléctrico con o sin aire caliente asistido por ventilador
- en el microondas.

Dispensador de hielo y agua

El aparato dispensa los siguientes productos:

- Agua enfriada
- Hielo picado
- Cubitos de hielo



ADVERTENCIA

¡Riesgo de lesiones por vidrios rotos!
No use recipientes de vidrio frágiles para recolectar el hielo dispensado.



ADVERTENCIA

¡Riesgo de lesiones por contacto con las aspas del picador de hielo en rotación!
No introduzca la mano en la abertura del dispensador de cubitos de hielo.

AVISO

¡Riesgo de daños al aparato!
 No coloque botellas ni alimentos en el contenedor de cubitos de hielo para enfriarlos rápidamente. La máquina de hielo podría bloquearse y dañarse.

Cuando encienda el aparato, tenga en cuenta lo siguiente:

El dispensador de hielo y agua solo funciona si el aparato está conectado a la red de suministro de agua. Después de encender el aparato, pasarán 24 horas antes de que esté listo el primer lote de cubitos de hielo.

Al momento de conectar el aparato, seguirán habiendo burbujas de aire en los tubos.

Extraiga el agua potable y deséchela hasta que salga sin burbujas. Deseche los cinco primeros vasos de agua.

Cuando use la máquina de hielo por primera vez, deseche los 30 o 40 primeros cubitos de hielo. Por motivos higiénicos, no use estos cubitos de hielo.

Manejo de la máquina de hielo

Una vez que el compartimiento del congelador alcanza la temperatura de congelación, el agua fluye hacia el interior de la máquina de hielo y se congela para formar cubitos. Los cubitos de hielo se descargan automáticamente en el contenedor de cubitos cuando están listos.

Después de encender el aparato por primera vez, transcurrirán aprox. 24 horas antes de que se fabrique el primer lote de cubitos de hielo.

En ocasiones, los cubitos quedan adheridos entre sí por los costados. Normalmente se separan al desplazarse hacia la abertura del dispensador.

La producción de hielo se interrumpe automáticamente cuando el contenedor de cubitos está lleno.

La máquina de hielo permite hacer aproximadamente 140 cubitos de hielo en un término de 24 horas si durante el día, se descargan los cubitos de hielo varias veces.

Durante la producción de cubitos de hielo se puede oír el zumbido de la válvula de agua, el flujo del agua hacia el contenedor de almacenamiento y la caída de los cubitos.

Calidad del agua potable



PRECAUCIÓN

El filtro de agua incluido con el aparato únicamente filtra las partículas contenidas en el agua suministrada, no elimina bacterias ni microbios.

Todos los materiales usados en el dispensador de agua son inodoros e insípidos.

Si el agua tiene un sabor extraño, esto puede deberse a:

- Presencia de minerales y cloro en el agua potable
- El material del que están hechos la tubería de agua doméstica o la conexión de suministro
- Frescura del agua potable. Si no se ha dispensado agua durante un periodo prolongado, el agua puede tener un sabor "rancio". En tal caso, dispense aprox. 15 vasos de agua y deséchelos.

Nota:

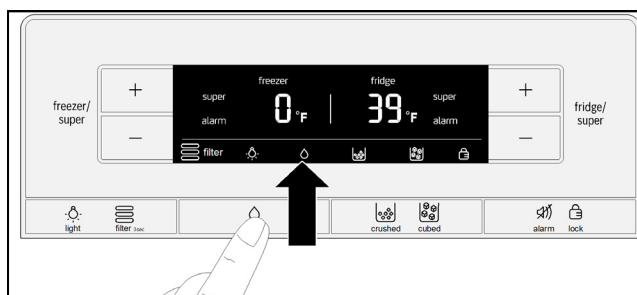
Enjuagar el sistema de agua que está conectado a la entrada de agua si no se ha distribuido agua en los últimos cinco días.

Para mejorar el sabor y el olor del agua, el cartucho de filtro incluido puede instalarse en el punto de entrada del agua.

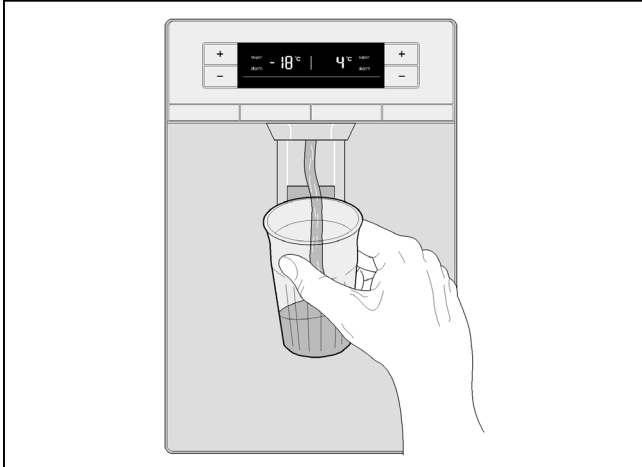
Recomendamos sacar regularmente una cierta cantidad de agua del dispensador de agua y no desconectar el aparato. Esto mantendrá la mejor calidad del agua.

Dispensar agua

1. Presionar el botón «agua». El panel del display muestra el símbolo «agua».



2. Presionar un vaso o un recipiente contra la palanca del dispensador hasta que este se llene con la cantidad deseada de agua.



Nota:

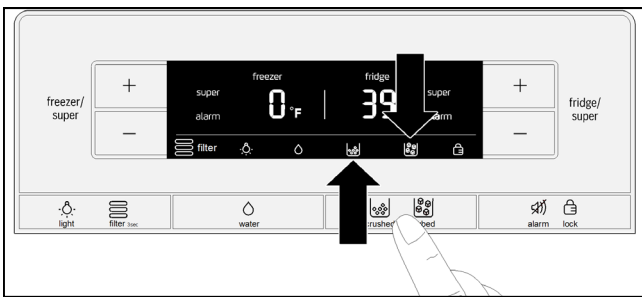
El agua del dispensador de agua se enfría hasta una temperatura agradable para beber. Si se prefiere que el agua esté más fría, echar algunos cubitos de hielo en el vaso antes de verter el agua.

Dispensar hielo

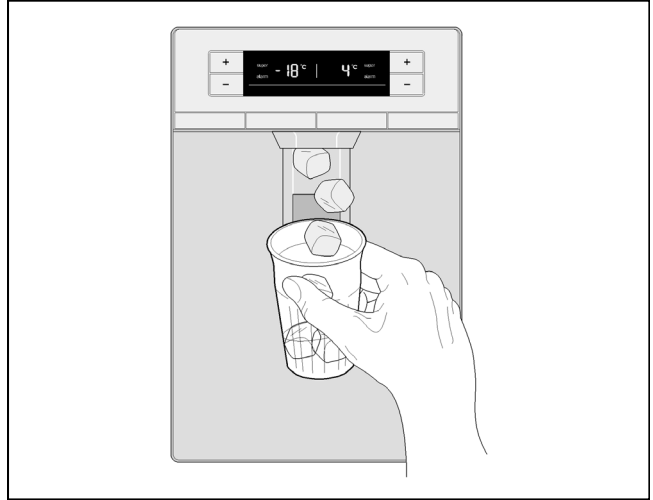
Mantener el recipiente contra la palanca del dispensador solo hasta que este esté medio lleno de hielo. De lo contrario, el hielo que llega a la abertura del dispensador de cubitos podría hacer que se desborde el recipiente o bloquee la salida.

Si se dispensó hielo picado antes de dispensar cubitos, pueden haber quedado restos del mismo en la abertura del dispensador. Estos saldrán expulsado junto con los primeros cubitos de hielo.

1. Presionar el botón «cubitos de hielo/hielo picado» hasta que el display muestre el símbolo de «cubitos de hielo» o «hielo picado».



2. Presionar un vaso o un recipiente adecuado contra la palanca del dispensador hasta que este se llene con la cantidad deseada de hielo.

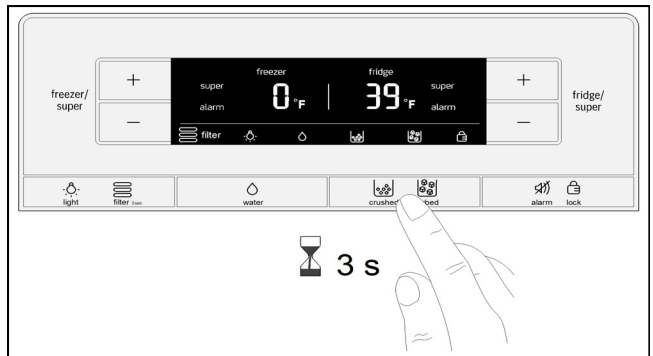


Desconectar la máquina de hielo

Nota:

Es imperativo cortar el suministro de agua al aparato varias horas antes de desconectar la máquina de hielo. Si no se espera utilizar la máquina de hielo durante un periodo superior a 1 semana (por ejemplo, al irse de vacaciones), dicha máquina de hielo debería apagarse temporalmente para evitar que los cubitos de hielo se congelen juntos.

1. Presionar y mantener presionado el botón «cubitos de hielo/hielo picado» durante 3 segundos.



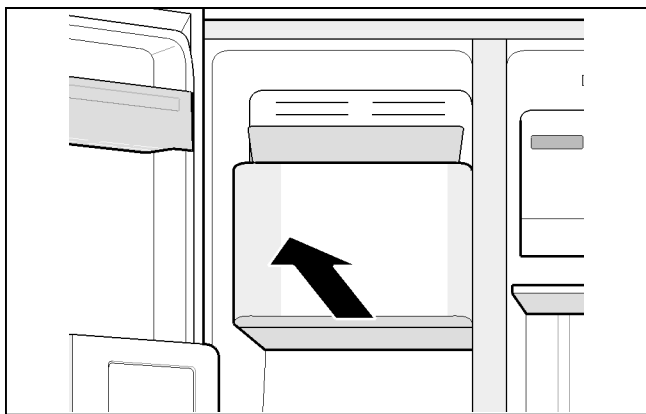
En el display, los símbolos «cubitos de hielo», «hielo picado» y «bloqueo» parpadean durante aprox. 3 segundos.

Después se conecta el dispensador de agua y el símbolo «agua» se ilumina.

Nota:

Al presionar el botón «cubitos de hielo/hielo picado» cuando la máquina de hielo está desconectada, suena una alarma y los símbolos «cubitos de hielo», «hielo picado» y «bloqueo» parpadean durante aprox. 3 segundos.

2. Extraer el contenedor de cubitos de hielo.



3. Vaciar el contenedor de cubitos de hielo y limpiarlo.
4. Empujar el contenedor de cubitos de hielo hasta el fondo en dirección a los soportes hasta que encaje en su lugar.

Activar la máquina de hielo

Presionar y mantener presionado el botón «cubitos de hielo/hielo picado» durante 3 segundos.

Suena una alarma tan pronto como la máquina de hielo se conecta.

Filtro de agua



ADVERTENCIA

En las localidades donde la calidad del agua no es del todo buena o la pureza se desconoce, no usar el aparato sin medios adecuados de desinfección en la parte de entrada y de salida del filtro.

En Atención al cliente pueden conseguirse los cartuchos de filtro para el filtro de agua.



PRECAUCIÓN

- Tras colocar un nuevo cartucho de filtro, desechar siempre el hielo fabricado en las 24 horas siguientes de haber conectado la máquina de hielo.
- Si el hielo no se ha utilizado durante un periodo prolongado de tiempo desechar todos los cubitos del contenedor de cubitos de hielo y también el hielo fabricado en las 24 horas siguientes.
- Si el aparato no se ha utilizado o si no se ha dispensado realmente hielo durante varias semanas o meses o si los cubitos de hielo tienen un sabor o un olor desagradable, cambiar el cartucho de filtro.
- El aire atrapado en el sistema puede provocar que el agua salga a chorros y expulse el cartucho de filtro. Tener precaución al extraerlo.
- El cartucho de filtro debe sustituirse al menos cada 6 meses.

Apuntes importantes sobre el filtro de agua

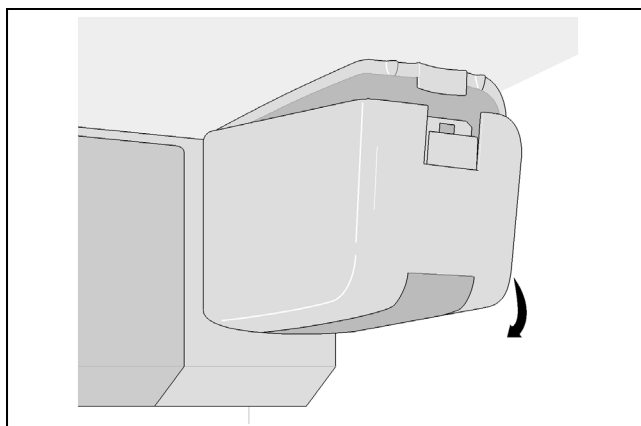
- Tras el uso, el sistema de agua está ligeramente a presión. Tener precaución al extraer el cartucho de filtro.
- Si el aparato no se ha utilizado durante los últimos 5 días o el agua presenta un sabor u olor desagradable, desalojar el agua del sistema. Para hacerlo, extraer agua del dispensador continuamente durante 5 minutos. Si el sabor o el olor desagradable persisten, sustituir el cartucho de filtro.

Cambiar el cartucho de filtro

Cuando hayan transcurrido 6 meses, el símbolo del filtro de agua empieza a parpadear para indicar la necesidad de sustituir el cartucho de filtro (véase la sección «Símbolo de filtro de agua»).

El cartucho de filtro debe sustituirse por lo menos cada 6 meses.

1. **Precaución!** Desenchufar el aparato de la red principal o desconectar el breaker.
2. Cerrar el suministro de agua al aparato.
3. Presionar el botón y retirar la tapa.

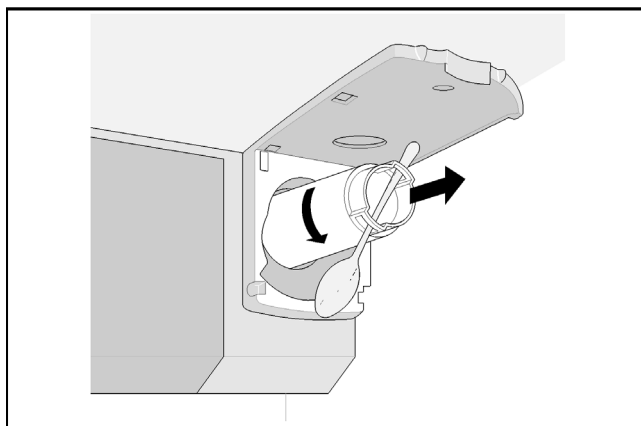


Nota:

Tener precaución al extraer el cartucho de filtro.

El sistema de agua está ligeramente a presión tras el uso.

4. Girar con cuidado el cartucho del filtro 90° en sentido contrario a las agujas del reloj, por ejemplo usando una cuchara, y extraerlo hacia afuera.

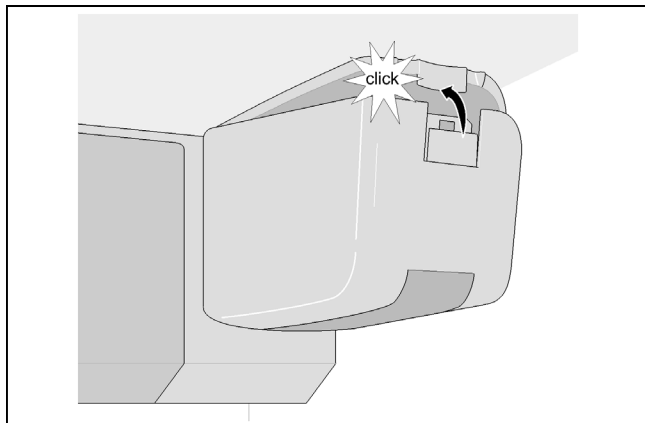


5. Saque el cartucho del filtro nuevo del envoltorio y retire el tapón de seguridad.
6. Insertar el cartucho del filtro nuevo y girarlo con cuidado 90° en sentido de las agujas del reloj hasta el tope, por ejemplo con una cuchara.

Nota:

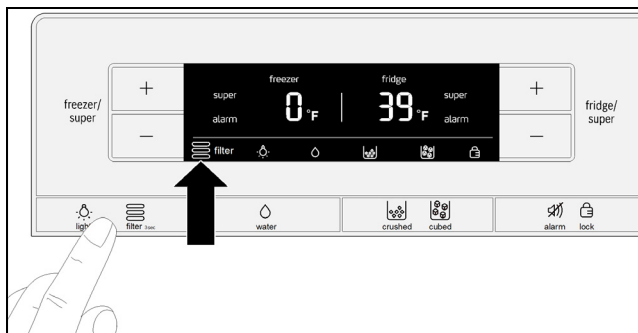
El cartucho del filtro debe apretarse a mano para evitar que se produzcan fugas y garantizar que el aparato reciba un suministro de agua correcto.

7. Volver a colocar la tapa e insertarla en su lugar.



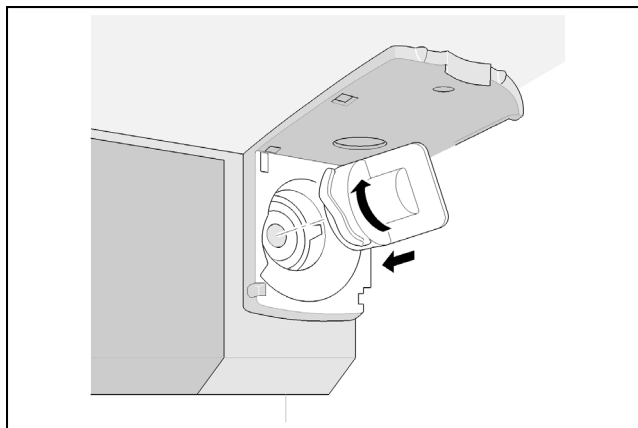
8. Abrir el suministro de agua al aparato.
9. Encender el aparato.
10. Dispensar y desechar agua durante cinco minutos a través del dispensador de agua.

11. Expulsar el agua fuera del cartucho del filtro usado. El cartucho del filtro puede desecharse junto con los residuos domésticos normales.
12. Presionar y mantener presionado el botón «luz/filtro» durante 3 segundos. Esto restablecerá el indicador del filtro de agua. El símbolo dejará de parpadear. El nuevo filtro queda ya activado.



Nota:

El dispensador de agua y hielo también pueden usarse sin el cartucho del filtro. En ese caso, colocar la tapa de la cubierta.



Hoja de datos de rendimiento

Modelo 9000 777508, 9000 705475 y 9000 225170

Usar un cartucho de repuesto 9000 674655.

La concentración de las sustancias indicadas disueltas en el agua que entran en el sistema se redujo a un nivel inferior o igual al límite autorizado para el agua descargada del aparato, siguiendo lo especificado por las normas NSF/ANSI 42 y 53.



El sistema ha sido comprobado y certificado por la NSF International según las NSF/ANSI estándar 42 y estándar 53 para reducir las quejas especificadas en la hoja de datos de rendimiento.

Capacidad 2800 litros (739.68 galones)

Reducción de la contaminación determinada por las pruebas NSF.

Reducción de la contaminación	Promedio Afluente	Concentración meta especificada por NSF	Promedio % Reducción	Concentración promedio en el agua producida	Concentración máxima autorizada en el agua producida	Requisitos de reducción NSF	Informe de prueba NSF
Sabor y olor a cloro	2.1 mg/l	2.0 mg/l ± 10 %	97.6 %	0.05 mg/l	N/A	≥ 50 %	J-00121313
Clase nominal de partículas I, ≥ 0.5 a < 1.0 µm	9 100 000 pts/ml	Mín. 10 000 partículas/ml	98,8 %	111 817 pts/ml	N/A	≥ 85 %	J-00099871
Cyst*	170.00 quistes/L	Mínimo 50 000 quistes/L	99.99 %	0.001 cyst/l	N/A	≥ 99.95 %	J-00109715

* Basándose en el uso de ovocitos de *Cryptosporidium parvum*

Guías de aplicación/parámetros de suministro de agua	
Flujo de servicio	0.75 gpm (2.83 lpm)
Suministro de agua	Agua potable
Presión del agua	30 - 120 psi (207 - 827 kPa)
Temperatura del agua	33 °F - 100 °F (0.6 °C - 38 °C)

Es fundamental que la instalación, el mantenimiento y los requisitos de cambio del filtro recomendados por el fabricante se lleven a cabo para que el producto funcione como se indica. Véase el Manual de instalación para información sobre la garantía.

Nota: Aunque las pruebas se efectuaron en condiciones estándares de laboratorio, el rendimiento real puede variar.

Cartucho de repuesto: 9000 674655. Para saber el costo estimado de las partes de reemplazo, hay que ponerse en contacto con el distribuidor local o llamar al 1-800-578-6890.

NOTICE

Para reducir el riesgo asociado con daños a la propiedad debidos a fugas de agua o inundaciones:

- Leer y seguir las Instrucciones de uso antes de instalar y utilizar este sistema.

Para reducir el riesgo de fugas de agua o inundaciones y para garantizar un rendimiento óptimo del filtro:

- Cambiar el cartucho desechable del filtro cada seis meses, o antes si aprecia una disminución considerable del flujo de agua.
- Si no se cambia el cartucho desechable del filtro en los periodos recomendados, el rendimiento del filtro disminuirá y se pueden producir grietas en la carcasa, lo cual a su vez causará fugas o inundaciones.

⚠ WARNING

Para reducir los riesgos asociados con la ingesta de contaminantes:

- NO usar con agua microbiológicamente insegura o de calidad desconocida sin desinfectarla adecuadamente antes y después del sistema. Los sistemas certificados para la reducción de quistes microbianos pueden usarse en aguas desinfectadas susceptibles de contener quistes filtrables.

Número de establecimiento EPA 10350-MN-005

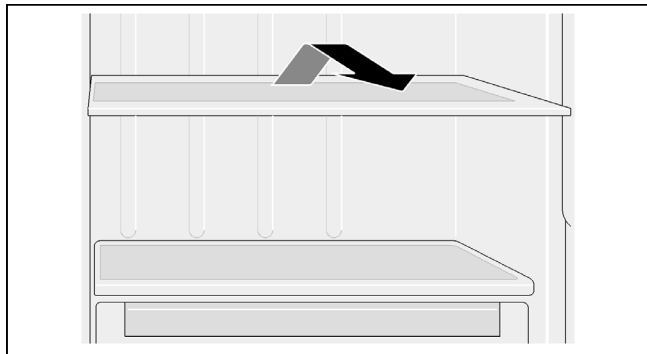
Accesorios

Anaqueles de cristal

Los anaqueles de cristal se pueden extraer y reinsertar a diversas alturas.

Extracción

Levantar el anaquel de cristal por la parte de atrás y extraerlo.

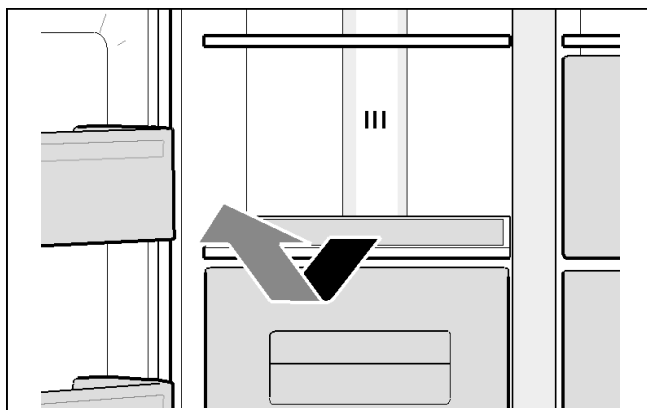


Inserción

Deslizar el anaquel de cristal hacia atrás sobre los raíles de guía hasta que encaje en su lugar.

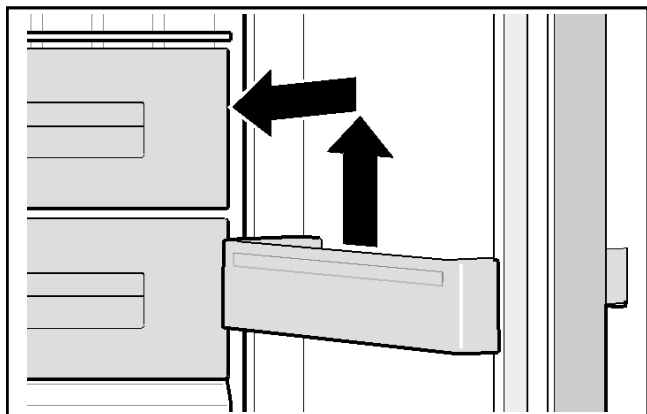
Anaqueles de cristal sobre los cajones

Los anaqueles de cristal se pueden extraer. Sacar el anaquel y levantarlo hacia arriba para extraerlo.



Gavetas de la puerta

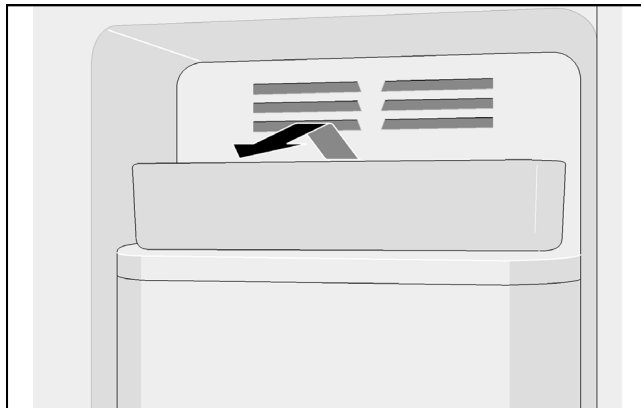
Las gavetas de la puerta se pueden extraer. Jalar las gavetas de la puerta hacia arriba para extraerlas.



Bandeja de cubitos de hielo

La bandeja de cubitos de hielo es para mantener los cubitos de hielo dentro de ella.

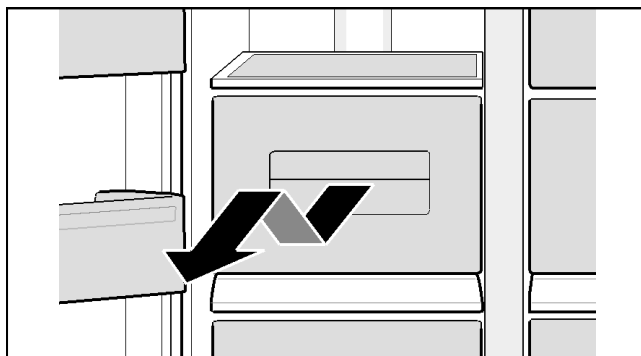
Elevar la bandeja de cubitos de hielo ligeramente en la parte frontal y desengancharla.



Cajones

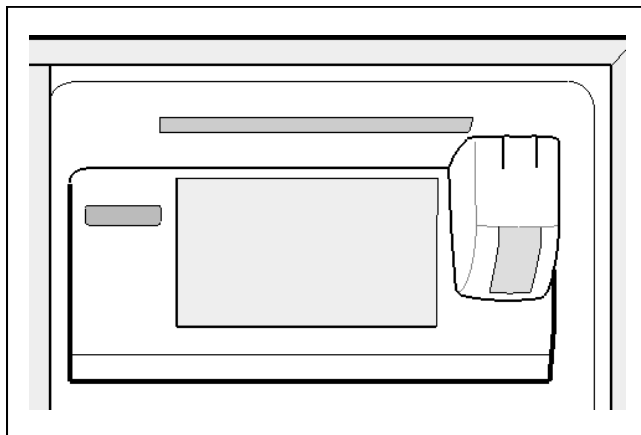
Los cajones se pueden extraer.

Tirar lo máximo posible hacia afuera del cajón, levantarlo por la parte de delante y terminar de sacarlo.

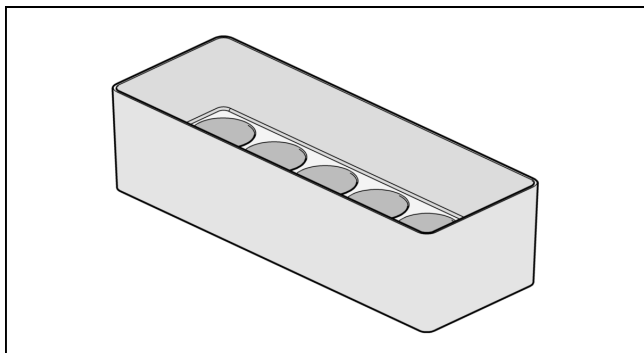


Soporte para latas

Soporte para latas de bebidas.



Huevera



Apagar y desconectar el aparato

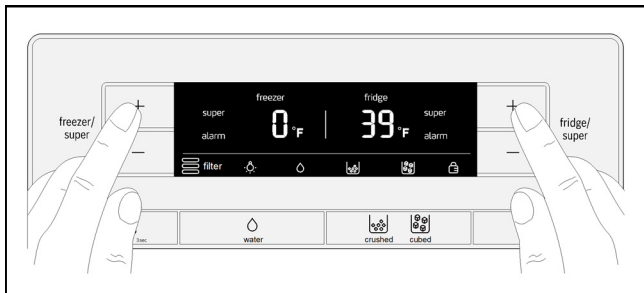
Apagar el aparato

Desenchufar el aparato de la red principal o desconectar el breaker.

El sistema de refrigeración y las luces se apagarán.

Si hay que desconectar el aparato pero no desenchufarlo (por ejemplo mientras se está de vacaciones):

Presionar y mantener presionados los botones «super/congelador +» y «super/refrigerador +» durante 5 segundos. Cuando el aparato esté apagado, los displays de temperatura mostrarán «- -». Cuando el aparato esté apagado o desconectado, se mostrará «0» en el panel de visualización del compartimiento del congelador y «FF» en el panel de visualización del compartimiento del frigorífico. El resto del panel del display está apagado.



Encender el aparato:

Presionar y mantener presionados los botones «super/congelador +»

y «super/refrigerador +» durante 5 segundos.

Desconectar el aparato

Si no se va a utilizar el aparato durante un periodo prolongado:

1. Es extremadamente importante que desconecte el suministro de agua durante unas horas antes de apagar el aparato.
2. Extraiga todos los alimentos del aparato.
3. Desenchufe el aparato.
4. Retire y deseche el cartucho de filtro.
5. Vacíe y limpie el contenedor de cubitos de hielo.

6. Limpie el interior del aparato (véase la sección «Limpieza del aparato»).

7. Para evitar la acumulación de olores, deje las puertas del aparato abiertas.

Descongelar

Compartimiento del refrigerador

Mientras se está usando el aparato, en la parte posterior del compartimiento del refrigerador se forman gotas de condensación o escarcha. Como el panel posterior se descongela automáticamente no es necesario eliminar esa escarcha ni la condensación.

Compartimiento del congelador

Gracias al sistema completamente automático No Frost, el compartimiento del congelador permanece siempre sin hielo. Ya no hay necesidad de descongelarlo.

Limpieza del aparato



PRECAUCIÓN

- No utilizar detergentes ni disolventes abrasivos, ácidos ni con base de cloro.
- No usar esponjas ni almohadillas de limpieza abrasivas que puedan rallar la superficie. Eso puede provocar la corrosión de las superficies metálicas.
- No lavar nunca los anaqueles y recipientes en un lavavajillas. Las piezas podrían deformarse.

Seguir las instrucciones siguientes:

1. Apagar el aparato antes de limpiarlo.
2. Desenchufar el aparato de la red principal o desconectar el breaker.
3. Extraer la comida y almacenarla en un lugar fresco. Colocar un bloque de hielo (si se dispone de uno) en la comida.
4. Esperar a que se haya descongelado la capa de escarcha.
5. Limpiar el aparato con un trapo suave usando agua tibia y una pequeña cantidad de líquido lavavajillas con un pH neutro. El producto líquido de limpieza no debe penetrar en las luces ni entrar en la bandeja de evaporación a través del orificio de drenado.
6. Limpiar la junta de la puerta solo con agua limpia y después frotarla hasta que esté seca.
7. Tras la limpieza, volver a enchufar el aparato a la red eléctrica y encenderlo.
8. Colocar la comida de nuevo adentro.

Accesorios

Todos los componentes variables del aparato se pueden extraer para su limpieza (véase la sección «Accesorios»).

Recipiente de cubitos de hielo

Si no se dispensan cubitos de hielo durante un periodo prolongado de tiempo, los cubitos que haya en el recipiente se encogen, saben rancios y se pegan unos a otros. Por eso, el recipiente de cubitos de hielo deberá limpiarse con regularidad.



PRECAUCIÓN

El recipiente de cubitos de hielo es pesado cuando está lleno.

1. Presionar y mantener presionado el botón «cubitos de hielo/hielo picado» durante 3 segundos.
2. Extraer el contenedor de cubitos de hielo.
3. Vaciar el contenedor de cubitos de hielo y limpiarlo.
4. Empujar el contenedor de cubitos de hielo hasta el fondo en dirección a los soportes hasta que encaje en su lugar.

Olores

Si se perciben olores desagradables:

1. Desenchufar el aparato de la red principal o desconectar el breaker.
2. Extraer todos los alimentos del aparato.
3. Limpiar el interior del aparato (véase la sección «Limpieza del aparato»).
4. Limpiar todo el embalaje.
5. Embalar la comida con olores fuertes en recipientes herméticos para evitar olores.
6. Encender el aparato de nuevo.
7. Colocar la comida.
8. Tras 24 horas comprobar de nuevo si han reaparecido los olores.

Luz LED

El aparato está provisto de una luz LED que no requiere mantenimiento.

Al abrirse las puertas, la luz interior se vuelve gradualmente más intensa y al cerrarse, se atenúa gradualmente.

Cuando se enciende la luz del dispensador de hielo y el agua, se vuelve gradualmente más intensa y cuando se apaga, se atenúa gradualmente.



PRECAUCIÓN

¡Riesgo de lesión ocular por luz láser clase 1M (IEC 60825)!

No observe la luz directamente con instrumentos ópticos.

Estas luces solo deben ser reparadas por el servicio de asistencia al cliente o por técnicos autorizados.

Ahorro de energía

- Instalar el aparato en un espacio seco y bien ventilado. El aparato no debe estar expuesto a la luz solar directa ni en la proximidad de fuentes de calor (por ejemplo elementos de calefacción, estufa). Si es necesario, usar una placa aislante.
- Dejar que los alimentos y bebidas calientes se enfríen antes de introducirlos en el aparato.
- Colocar la comida congelada en el compartimiento del refrigerador para descongelarla y usar la baja temperatura de dichos alimentos congelados para enfriar el resto de ellos.
- Abrir y cerrar las puertas del aparato solo por periodos lo más breves posible.
- Para evitar que la comida se caliente rápidamente en el caso de que haya un corte de electricidad, colocar bloques de hielo en el compartimiento superior directamente encima de la comida.
- Mantener la puerta del compartimiento del congelador cerrada en todo momento.
- La colocación de los accesorios no tiene efecto alguno sobre el consumo energético del aparato.
- Para evitar un aumento del consumo de energía, limpiar ocasionalmente la ventilación de aire con un cepillo suave o una aspiradora.

Ruidos de funcionamiento

Ruidos normales

Zumbido

La unidad de refrigeración está en funcionamiento. El ventilador del sistema de aire circulante está en funcionamiento.

Sonidos de burbujeo, zumbido o gorgoteo

El refrigerante fluye por las tuberías o está entrando agua en la máquina de hielo.

El motor gira las bandejas de cubitos de hielo para arrojarlos en el recipiente de cubitos de hielo.

Chasquidos

El motor se enciende o se apaga. La válvula solenoide de la conexión de agua se está abriendo o se cerrando.

Sonidos fuertes

Los cubitos de hielo elaborados en la máquina de hielo están cayendo al contenedor de cubitos.

Solucionar problemas de ruidos sencillos

El aparato no está nivelado horizontalmente

Alinee el aparato usando un nivel. Puede usar las patas de altura ajustables o colocar algún objeto debajo de las patas.

El aparato roza otros equipos o aparatos contiguos

Aparte el aparato de los equipos o aparatos contiguos.

Cajones, cestos o contenedores sueltos o atascados

Compruebe las piezas extraíbles y si es necesario, vuelva a colocarlas en su lugar.

Hay recipientes en contacto entre sí

Deje un poco de espacio entre las botellas o recipientes.

Solucionar fallas menores

Antes de llamar a Atención al cliente:

comprobar si uno mismo puede solucionar la avería usando las notas siguientes.

Aparato

Problema	Causa posible	Solución
El aparato no refrigera/ congela.	Corte de electricidad.	Comprobar si el aparato recibe electricidad.
La luz no se enciende.	El breaker está apagado.	Comprobar el breaker.
El display no se enciende.	El enchufe de corriente no está correctamente enchufado.	Comprobar si el enchufe de corriente está correctamente enchufado.
La unidad de refrigeración se enciende con mayor frecuencia y durante periodos más prolongados.	La puerta del aparato se abre muy a menudo.	No abrir la puerta del aparato innecesariamente.
	Las aberturas de ventilación están tapadas.	Retirar cualquier obstrucción.
	Antes de colocar grandes cantidades de alimentos en el aparato.	Conectar la función de congelación/enfriamiento rápido.
El compartimiento del refrigerador/compartimiento del congelador está demasiado frío.	La configuración de la temperatura es demasiado baja.	Ajustar una temperatura superior.
La luz (LED) no se enciende.	La luz LED está estropeada.	Véase la sección «Luz (LED)».
	El interruptor de la luz está pegado.	Comprobar si se puede mover el interruptor de la luz.
	La puerta del aparato estuvo abierta durante demasiado tiempo. La luz se apaga al cabo de aprox. 10 minutos.	Tras cerrar y abrir la puerta del aparato, la luz se enciende de nuevo.
Se perciben olores molestos.	Comida con olores fuertes no empacada correctamente en recipientes herméticos.	Limpiar el aparato. Empacar de nuevo la comida con olores fuertes en recipientes herméticos (véase la sección «Olores»).
Sonidos de bips de advertencia o el indicador de temperatura parpadea. El compartimiento del refrigerador o el congelador están demasiado calientes. La comida está en riesgo.	La puerta del aparato está abierta.	Véase la sección «Funciones de alarma».
	Se ha almacenado mucha comida a la vez.	
El compartimiento de comida fresca (si lo hay) no enfría.	Desconectar el aparato de la red principal (falla de electricidad o enchufe desenchufado).	Restablecer la temperatura deseada.

Máquina de hielo

Problema	Causa posible	Solución
La máquina de hielo no funciona.	La máquina de hielo no está conectada al suministro eléctrico.	Llamar a Atención al cliente.
	La máquina de hielo no recibe suministro de agua.	Comprobar que el suministro de agua está correctamente conectado.
	La temperatura en el compartimiento del refrigerador es demasiado alta.	Comprobar el ajuste de temperatura del compartimiento del congelador y ponerla ligeramente más fría en caso necesario.
La máquina de hielo no fabrica cubitos suficientes o el hielo está deforme.	El aparato o la máquina de hielo llevan encendidos muy poco tiempo.	La fabricación de hielo tarda aproximadamente 24 horas.
	Se extrajo gran cantidad de hielo.	Al recipiente de cubitos de hielo le lleva aproximadamente 24 horas rellenarse.
	Poca presión de agua.	El aparato solo debería estar conectado a un suministro de agua con la presión especificada (véase la sección «Conectar el aparato», subsección «Conexión de agua»).
	El filtro de agua está atascado o desgastado.	Cambiar el filtro de agua.
	La temperatura en el compartimiento del refrigerador es demasiado alta.	Ajustar la temperatura del compartimiento del congelador más baja.
La máquina de hielo no hace hielo alguno.	La máquina de hielo está apagada.	Encender la máquina de hielo.
	El aparato no recibe suministro de agua.	Ponerse en contacto con el instalador o empresa de agua.
	Doblecetes en la tubería de suministro de agua.	Cerrar el suministro de agua en la válvula de aislamiento. Alisar cualquier doblez o cambiar la tubería en caso necesario.
	Poca presión de agua.	El aparato solo debería estar conectado a un suministro de agua con la presión especificada (véase la sección «Conectar el aparato», subsección «Conexión de agua»).
	Temperatura del compartimiento del congelador demasiado alta.	Ajustar una temperatura ligeramente más fría para el compartimiento del congelador.
	El recipiente de cubitos de hielo no está bien encajado.	Comprobar su posición y volver a introducirlo en caso necesario.
	Válvula de aislamiento colocada incorrectamente.	Las válvulas no adecuadas pueden reducir la presión de agua y provocar daños en el aparato.
	Se forma hielo en la tubería de alimentación de la máquina de hielo.	Poca presión de agua.
La válvula de aislamiento no está totalmente abierta.		Abrir totalmente la válvula de aislamiento.
Sale agua del aparato.	La manguera de conexión de agua tiene fugas.	Cambiar la manguera por otra manguera de sustitución original del fabricante.
	Válvula de aislamiento colocada incorrectamente.	Las válvulas no adecuadas pueden reducir la presión de agua y provocar daños en el aparato.
No sale agua del dispensador de agua.	La válvula antiretorno se ha instalado de forma incorrecta.	Comprobar la dirección del flujo; las flechas en la válvula antiretorno indican la dirección del caudal.
	El colador está atascado.	Cerrar el suministro de agua en la válvula de aislamiento. Retirar y limpiar el colador.

Servicio de asistencia al cliente

Comprobar si puede resolver el problema usted mismo usando la información de la sección «Solucionar fallas menores».

Si esta información no es suficiente para resolver el problema, puede obtener más ayuda a través del servicio de asistencia al cliente de Bosch.

EE. UU.:

Póngase en contacto con el Centro de Interacción con el Cliente de Bosch llamando al 1-800-944-2904 (llamada gratuita).

Canadá:

Póngase en contacto con su empresa de servicio designada por Bosch Canada o llame al 1-800-944-2904.

Para brindarle una mejor asistencia, anote los datos del aparato a fin de poder consultarlos en el futuro:

Nombre del distribuidor:

Dirección:

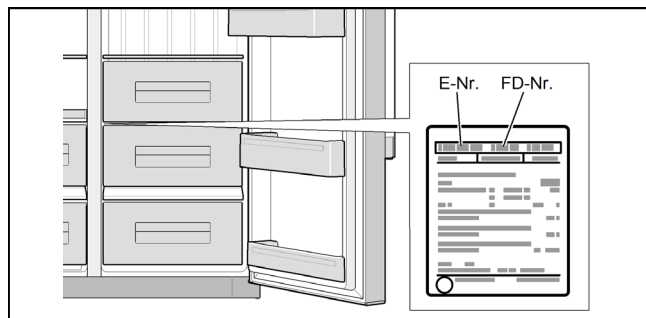
Número de teléfono:

Fecha de compra:

Número del modelo (número E):

Número de serie (número FD):

Facilite al servicio de asistencia al cliente el número de modelo (número E) y el número de serie (número FD) del aparato.



Esta información aparece en la placa de características.

BSH Home Appliances Corporation

1901 Main Street, Suite 600,
Irvine CA 92614, USA

www.bosch-home.com



8001076170 (9908)
en-us, es-mx, fr-ca