



Register your new Bosch now:
www.bosch-home.com/welcome



Fridge-freezer
Réfrigérateur / congélateur combiné
Refrigerador/congelador
B0..IB.....



BOSCH

en	Operating instructions	2
fr	Notice d'utilisation	24
es	Instrucciones de uso	47

en Table of Contents

Important safety instructions	3	Super cooling.....	16
Definition	3	Switching on and off.....	16
Before you switch on the appliance	3	Freezer compartment.....	16
Technical safety	3	Use the freezer compartment	16
During use	4	Freezing and storing food	16
Children in the household.....	4	Purchasing frozen food.....	16
General information.....	4	When loading products.....	16
State of California Proposition 65 Warnings.....	4	Storing frozen food.....	16
Instructions on disposal.....	5	Freezing fresh food.....	17
♻ Disposal of packaging.....	5	Packing frozen food.....	17
♻ Disposal of your old appliance	5	Shelf life of frozen food	17
Contents of package	5	Super freezing.....	17
Installing the appliance	5	Switching on and off.....	17
Transport.....	5	Thawing frozen food.....	17
Installation location.....	5	Interior fittings	18
Ventilation	5	Glass shelves.....	18
Cavity depth.....	5	Extendable glass shelf	18
Side by side installation	5	Vario shelf.....	18
Installation dimensions.....	6	Bottle holder	18
Preparing furniture doors.....	7	Freezer calendar.....	18
Furniture door dimensions.....	7	Ice cube tray.....	19
Connecting the appliance	7	Ice pack.....	19
Electrical connection.....	7	Switching off and disconnecting the appliance	19
Getting to know your appliance	8	Switching off the appliance	19
Operating controls.....	9	Disconnecting the appliance.....	19
Switching the appliance on.....	10	Defrosting	19
Operating tips.....	10	Refrigerator compartment.....	19
Setting the temperature	10	Freezer compartment	19
Refrigerator compartment.....	10	Cleaning the appliance	19
Freezer compartment	10	Interior fittings.....	20
Holiday mode.....	10	Odors.....	21
Switching on and off.....	10	Light (LED).....	21
Alarm functions.....	11	Saving energy.....	21
Door alarm.....	11	Operating noises.....	22
Temperature alarm.....	11	Completely normal noises.....	22
Switching off the alarm	11	Preventing noises.....	22
Home Connect.....	11	Rectifying minor faults yourself	22
Setting up Home Connect	11	Appliance self-test.....	23
Installing the Home Connect software update.....	14	Starting the appliance self-test.....	23
Information on data protection.....	14	Ending the appliance self-test.....	23
Usable capacity	15	Customer service	23
Fully utilizing the freezer volume	15		
Refrigerator compartment	15		
Note when storing food.....	15		
Note the chill zones in the refrigerator compartment	15		
Vegetable container with humidity controller	16		



Important safety instructions

READ INSTRUCTIONS - DO NOT DISCARD!

Definition



WARNING:

This indicates that death or serious injury may result due to non-observance of this warning.



CAUTION:

This indicates that minor or moderately severe injury may result due to non-observance of this warning.

Before you switch on the appliance

Please read the instructions for use and installation carefully. They contain important information on how to install, use and maintain the appliance.

The manufacturer is not liable if you disregard the instructions and warnings in the operating instructions. Retain all documents for later use or for the subsequent owner.

Technical safety

If damage has occurred

- Keep naked flames and ignition sources away from the appliance,
- ventilate the room thoroughly for several minutes.
- switch off the appliance and pull out the mains plug,
- Inform customer service.

The more refrigerant there is in an appliance, the bigger the room must be in which the appliance is located. If rooms are too small, a leak may result in a flammable gas-air mixture.

The room must be at least 36 ft³ (1 m³) per 8 g of refrigerant. The amount of refrigerant in your appliance is indicated on the rating plate inside the appliance.

Flammable refrigerant is used. Risk of fire or explosion.

This appliance may only be repaired by authorized specialist personnel. All safety precautions must be followed. Do not use force to open refrigerant tubing. Follow the instructions carefully. Dispose of the appliance properly in accordance with the applicable federal or local regulations.

If this appliance's power cord is damaged, it must be replaced by the manufacturer, authorized service providers or similarly qualified persons. Improper installations and repairs may put the user at risk.

Repairs may only be performed by the manufacturer, authorized service providers or similarly qualified persons.

Only original parts supplied by the manufacturer may be used. Only for original parts does the manufacturer guarantee that they satisfy the safety requirements. The appliance comes with a UL registered 3-wire power cord.

Never sever or remove the third (earth) conductor from the power cord.

The appliance requires a 3-pole socket. The socket may be connected by an electrician only.

Where there is a 2-pole standard wall socket, it is the personal responsibility of the customer to have this socket replaced with a correctly grounded 3-pole wall socket. Do not use any adapter plugs.



Important safety instructions

READ INSTRUCTIONS - DO NOT DISCARD!

During use

- Never use electrical equipment inside the appliance (e.g. heaters, electric ice makers etc.). Explosion hazard!
- Never defrost or clean the appliance with a steam cleaner! The steam can penetrate electrical parts and cause a short circuit. Risk of electric shock!
- Do not use pointed or sharp-edged tools to remove frost or layers of ice. They could damage the refrigerant tubes. Leaking refrigerant can ignite or cause eye injuries.
- Do not store products which contain flammable propellants (e.g. spray cans) and do not store any explosive substances. Explosion hazard!
- Do not stand on or lean against base of appliance, drawers or doors etc.
- Before cleaning, unplug the appliance or switch off the fuse. Pull on the plug, not on the cord.
- Only store high-proof alcohol tightly closed and standing up.
- Keep plastic parts and the door seal free of oil and grease. The plastic parts and the door seal will otherwise become porous.
- Never cover or block the appliance's ventilation openings.
- **Avoiding placing children and disabled people at risk:**
This appliance must not be used by children without adult supervision or by disabled persons without assistance.
Never allow children to play with the appliance.
- Do not store bottled or canned liquids (especially carbonated drinks) in the freezer compartment. Bottles and cans may burst!
- Never put frozen food straight from the freezer compartment into your mouth.
Risk of low-temperature burns!
- Avoid prolonged touching of frozen food, ice or the evaporator pipes etc.
Risk of low-temperature burns!

Children in the household

- Keep children away from the packaging and its parts. Danger of suffocation from collapsible boxes and foil!
- Do not allow children to play with the appliance!
- If the appliance features a lock: keep the key out of the reach of children.

General information

The appliance is suitable

- for refrigerating and freezing food,
- for making ice.

This appliance is intended for use in the home and the home environment.

This appliance is intended for use at an elevation of no more than 2000 meters above sea level.

State of California Proposition 65 Warnings

This product can expose you to chemicals including vinyl chloride, which is known to the State of California to cause cancer and birth defects or other reproductive harm. For more information go to www.P65Warnings.ca.gov

Instructions on disposal

Disposal of packaging

The packaging protects your appliance from damage during transport. All utilized materials are environmentally safe and recyclable. Please help us by disposing of the packaging in an environmentally friendly manner.

Please ask your dealer or inquire at your local authority about current means of disposal.

Disposal of your old appliance

Old appliances are not worthless garbage! Valuable raw materials can be reclaimed by recycling old appliances.

WARNING:

Redundant appliances

1. Pull out the mains plug.
2. Cut off the power cord and discard with the mains plug.
3. Do not take out the trays and receptacles to prevent children from climbing in!
4. To prevent children from locking themselves in the redundant appliance:
Remove appliance doors!
5. Do not allow children to play with the redundant appliance. Risk of suffocation!

Refrigerators contain refrigerant and gases in the insulation. Refrigerant and gases must be disposed of professionally. Ensure that tubing of the refrigerant circuit is not damaged prior to proper disposal.

Contents of package

After unpacking all parts, check for any damage during transport.

CAUTION:

Do not set up the appliance if it is damaged.

If there are any problems, please contact the dealer from whom you purchased the appliance, or our customer service.

The delivery consists of the following parts:

- Built-in appliance
- Interior fittings (depending on model)
- Bag containing installation materials
- Instruction manual
- Installation instructions
- Customer service booklet
- Warranty enclosure
- Information on the energy consumption and noises

Installing the appliance

Have a technician install and connect the appliance according to the enclosed installation instructions.

WARNING:

Do not install this appliance:

- outdoors,
- in an environment with dripping water,
- in rooms where there is a risk of frost.

Transport

The appliance is heavy. It must be secured during transport and installation.

WARNING:

Due to the appliance's weight and dimensions and to minimize the risk of injuries or damage to the appliance, at least two people are needed for safe installation of the appliance.

Installation location

A dry, well ventilated room is suitable as an installation location. The installation location should not be exposed to direct sunlight and not placed near a heat source, e.g. a cooker, radiator, etc. If installation near a heat source is unavoidable, use a suitable insulating plate or observe the following minimum distances to a heat source:

- 1¹/₄" (3 cm) to electric or gas cookers.
- 11¹³/₁₆" (30 cm) to oil or solid-fuel cookers.

The floor of the installation location must not give way; if required, reinforce floor.

Ventilation

The air on the rear panel of the appliance heats up. Dissipation of the heated air must not be obstructed. Otherwise, the refrigeration unit must work harder. This increases power consumption. Therefore: Never cover or block ventilation openings!

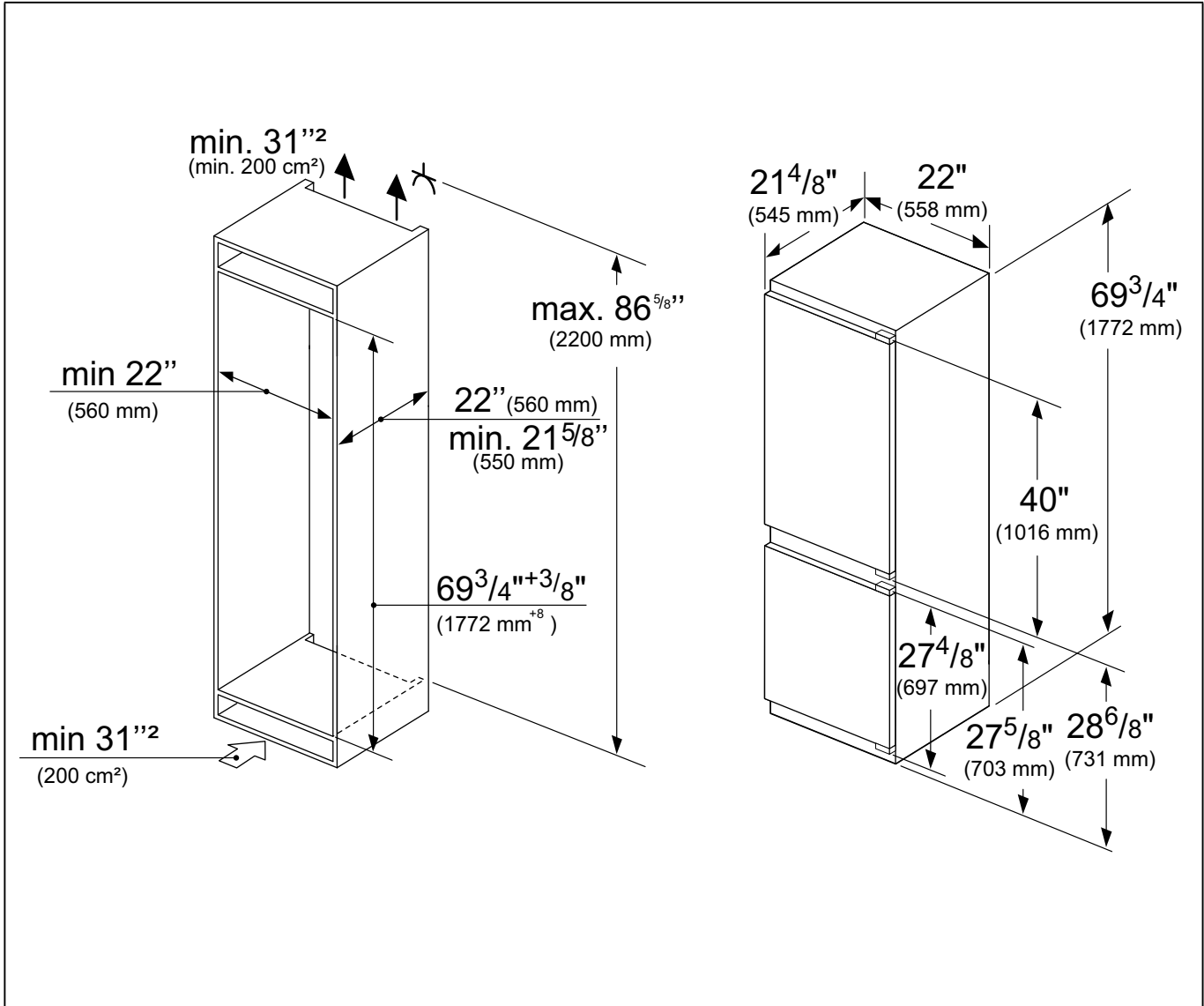
Cavity depth

A cavity depth of 22³/₆₄" (560 mm) is recommended for the appliance. If the cavity depth is smaller – at least 21²¹/₃₂" (550 mm) – the energy consumption increases slightly.

Side by side installation

It is only possible to install appliances side by side with a gap of at least 5.9" (15 cm).

Installation dimensions



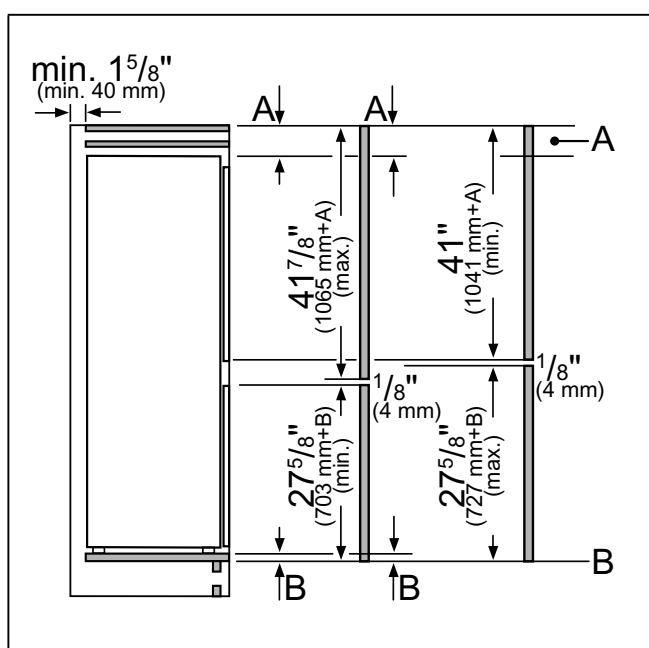
Preparing furniture doors

Note:

When working on furniture doors, always observe the following:

- Select a furniture door thickness between at least 5/8" (16 mm) and 3/4" (19 mm).
- Always select a screw length which is shorter than the thickness of the furniture door.
- Always insert screws into the part of the furniture door which is best able to handle the load.
- Do not insert screws into fillings, etc.
- Do not insert screws into filters, decorative strips, etc.
- Protect the furniture door surfaces against damage during installation.

Furniture door dimensions



Key

- | | |
|---|------------------------------|
| A | Furniture door protrusion |
| B | Lower edge of furniture door |

The specified furniture door dimensions apply for a door gap of 5/32" (4 mm).

Connecting the appliance

After installing the appliance, wait at least 8 hours until starting up the appliance. During transportation the oil in the compressor may have flowed into the refrigeration system.

Before switching on the appliance for the first time, clean the interior of the appliance (see chapter Cleaning the appliance).

Electrical connection



WARNING:

Risk of electric shock!

Connect the appliance to a grounded, 3-phase outlet only. Never remove the ground phase. Do not use any adapters. Do not use any extension leads.



WARNING:

Risk of electric shock!

Incorrect connection of the appliance may result in death, fire or electric shock. Improper connection of the protective conductor may result in electric shock. If you are in doubt as to whether the appliance has been properly grounded, have it tested by a qualified electrician or Customer Service technician.



WARNING:

Risk of electric shock!

If the length of the power cord is inadequate, never use multiple outlets or extension leads. Instead, please contact Customer Service for alternatives.

This appliance must be connected to a permanently installed outlet.

The outlet must be near the appliance and also freely accessible following installation of the appliance.

The appliance complies with protection class I. Connect it to a correctly installed outlet. Correct means: with a protective conductor, 110 V – 120 V/60 Hz alternating current. The outlet must be protected by a 10 A – 16 A fuse.

The appliance comes with a UL registered 3-wire power cord. The appliance requires a 3-pole outlet.

Please observe the following table with regard to this:

Appliance	Maximum simultaneous load
Fridge-freezer	6 A

Check on the rating plate whether the indicated voltage and current type match the values of your power supply. The position of the rating plate can be found in the chapter entitled Customer Service.



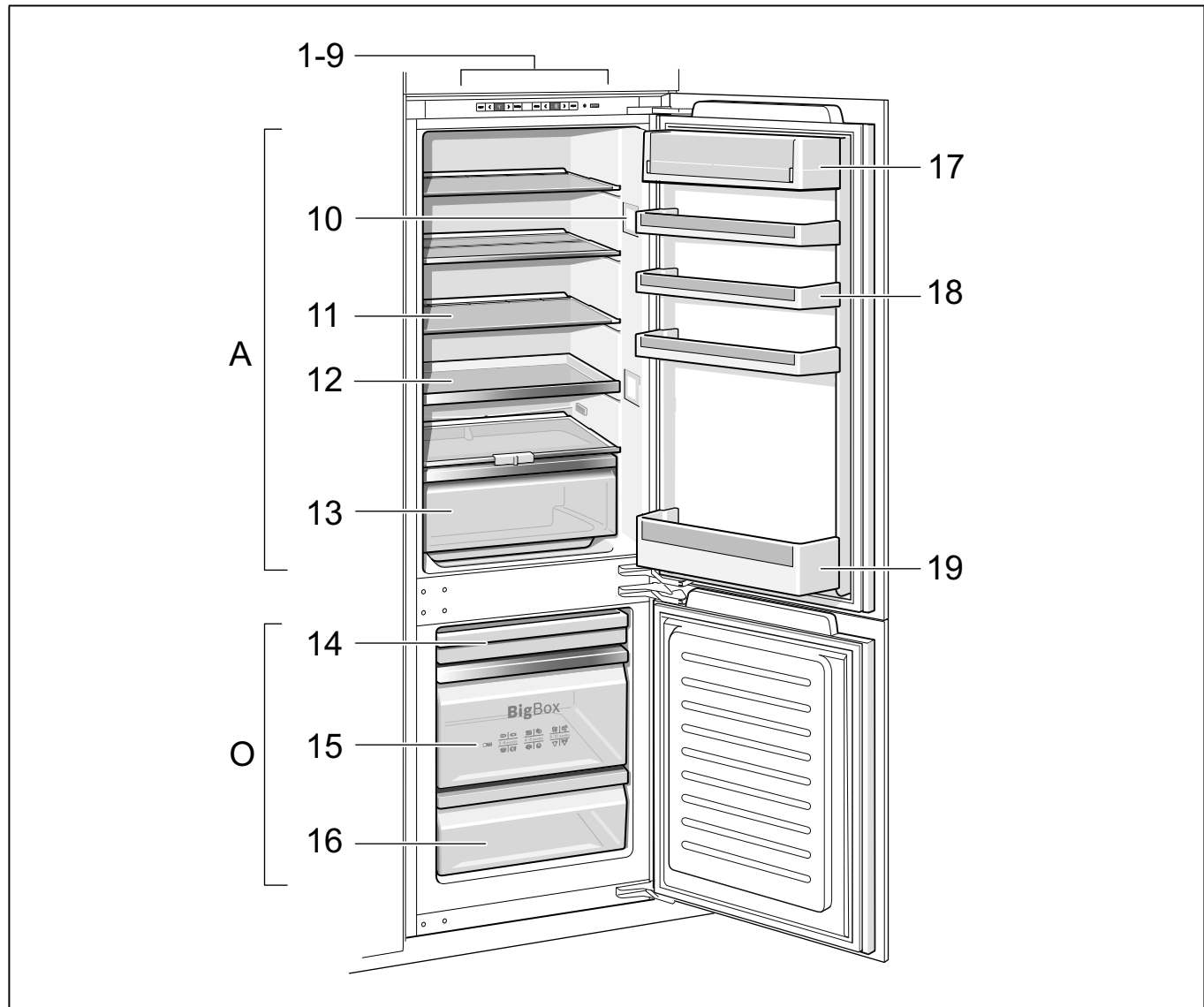
WARNING:

Never connect the appliance to electronic energy saver plugs.

Our appliances can be used with mains and sine-controlled inverters. Mains-controlled inverters are used for photovoltaic systems which are connected directly to the national grid. Sine-controlled inverters must be used for isolated applications (e.g. on ships or in mountain lodges) which are not connected directly to the national grid.

Getting to know your appliance

These operating instructions refer to several models.
The features of the models may vary.
The diagrams may differ.

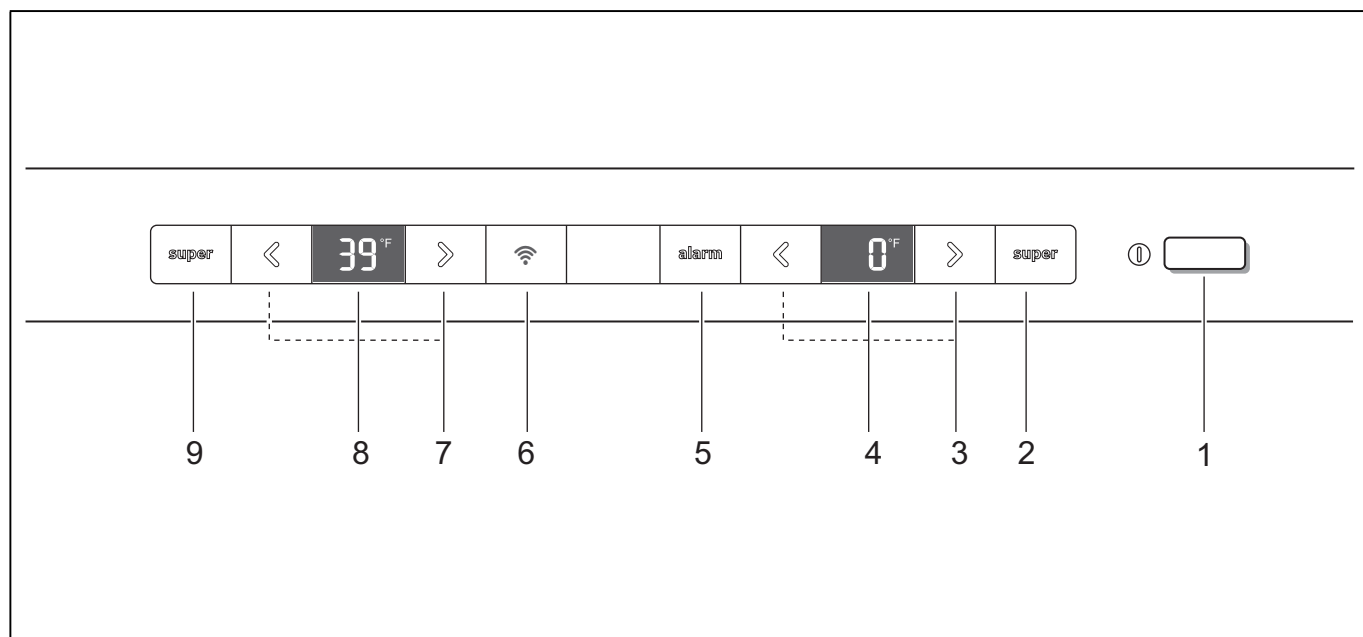


* Not all models.

- A Refrigerator compartment
- B Freezer compartment

- 1-9 Operating controls
- 10 Lighting
- 11 Glass shelf in the refrigerator compartment
- 12 Extendable glass shelf
- 13 Vegetable container
- 14* Berry tray
- 15 Freezer calendar
- 16 Frozen food container
- 17 Butter and cheese compartment
- 18 Door shelf
- 19 Shelf for large bottles

Operating controls



- 1 **on/off button**
Used to switch the whole appliance on and off.
- 2 **Freezer compartment super button**
Used to switch super freezing on and off.
- 3 **Freezer compartment temperature selection buttons**
These buttons set the temperature in the freezer compartment.
- 4 **Temperature display freezer compartment**
The numbers correspond to the set freezer compartment temperatures in °F.
- 5 **Alarm button**
Used to switch off the warning signal (see chapter Alarm function).
- 6 **Home Connect button**
Is used to switch on and off as well as configure the Home Connect function (see chapter Home Connect).
- 7 **Refrigerator compartment temperature selection buttons**
These buttons set the temperature in the refrigerator compartment.
- 8 **Temperature display refrigerator compartment**
The numbers correspond to the set refrigerator compartment temperatures in °F.
- 9 **Refrigerator compartment super button**
Used to switch super cooling on and off.

Switching the appliance on

1. Switch on the appliance with the on/off button 1.
A warning signal sounds, the temperature display 4 flashes and the alarm button 5 is lit.
 2. The warning signal is switched off by pressing the alarm button 5.
The appliance begins to cool. Light is switched on when the door is opened.
- The preset temperatures are reached after several hours. Do not put any food in the appliance beforehand. The factory has recommended the following temperatures:

- Freezer compartment: 0 °F (−18 °C)
- Refrigerator compartment: 39 °F (+4 °C)

Operating tips

- After the appliance has been switched on, it may take several hours until the set temperature has been reached. Do not put any food in the appliance beforehand.
- The fully automatic No Frost system ensures that the freezer compartment remains free of ice. Defrosting is not required.
- The front sides of the housing are sometimes heated slightly. This prevents condensation in the area of the door seal.
- If the freezer compartment door cannot be immediately re-opened after it has been closed, wait until the resulting low pressure has equalized.

Setting the temperature

Refrigerator compartment

The temperature can be set from +36 °F (+2 °C) to +46 °F (+8 °C).

Keep pressing the refrigerator compartment temperature selection button 7 until the required refrigerator compartment temperature is set.

The value last selected is saved. The set temperature is displayed on the temperature display refrigerator compartment 8.

Freezer compartment

The temperature can be set from +3 °F (−16 °C) to −11 °F (−24 °C).

Keep pressing freezer section temperature selection button 3 until the required freezer section temperature is set.

The value last selected is saved. The set temperature is displayed on the temperature display freezer compartment 4.

Holiday mode

If leaving the appliance for a long period of absence, you can switch the appliance over to the energy-saving vacation mode. The refrigerator compartment temperature is automatically switched to 57 °F (14 °C).



CAUTION:

Do not store any food in the refrigerator compartment during this time!

Switching on and off

- Switching on: Press the temperature selection button > until the temperature display refrigerator compartment 8 indicates **Ho**.
When holiday mode is switched on, the temperature display refrigerator compartment no longer indicates a temperature.
- Switching off: Press the temperature selection button < until the temperature display refrigerator compartment 8 indicates the desired temperature.

Alarm functions

Door alarm

The door alarm (continuous sound) switches on if the appliance door is open for longer than one minute. Close the door to switch off the warning signal.

Temperature alarm

The temperature alarm switches on if the freezer compartment is too warm and the frozen food is at risk of thawing.

When the alarm button 5 is pressed, the temperature display freezer compartment 4 indicates for five seconds the warmest temperature reached in the freezer compartment.

Then this value is deleted. The temperature display freezer compartment 4 indicates the set freezer compartment temperature without flashing.

From this time on the warmest temperature is recalculated and saved.

The alarm may switch on without any risk to the frozen food:

- when the appliance is first switched on,
- when large quantities of fresh food are placed in the appliance,
- if the freezer compartment door is open too long.

Note:

Do not refreeze partly or completely thawed food. Only food that has then been cooked (boiled or fried) may be refrozen.

No longer store the frozen produce for the max. storage period.

Switching off the alarm

Press the alarm button 5 to switch off the warning signal.

Home Connect

This appliance is Wi-Fi-capable and can be remotely controlled using a mobile device.

Note:

Wi-Fi is a registered trade mark of the Wi-Fi Alliance. In the following cases, the appliance functions like a refrigerator without a network connection and can still be manually operated via the controls:

- The appliance is not connected to a home network.
- Home Connect service is not available in the country in which the appliance is set up. For an overview of the countries in which Home Connect is available, see www.home-connect.com.

Note:

- Please observe the safety information in these operating instructions and ensure that they are still observed with even if you operate the appliance using the Home Connect app and are not at home when doing so. See chapter Important safety instructions. You must also follow the instructions in the Home Connect app.
- Operating the appliance directly from the appliance always has priority. During this time, it is not possible to operate the appliance using the Home Connect app.

Setting up Home Connect

Note:

- Observe the Home Connect supplementary sheet, which is available for download under www.bosch-home.com with the instructions. To do so, enter the E-number of your appliance in the search field.
- After switching on the appliance, wait at least two minutes until internal device initialization is complete. Only then start setting up Home Connect.
- To implement settings with Home Connect, you have to install the Home Connect app on your mobile device. Observe the supplied Home Connect documents with regard to this. Follow the steps specified by the app to implement the settings.
- The Home Connect menu will close automatically when the appliance is not operated for a lengthy period of time. You can find information on how to open the Home Connect menu at the start of the appropriate chapter.

Automatic connection with the home network (WLAN)

If a WLAN router with WPS function is available, the refrigerator can automatically connect to the home network.

1. Press the Home Connect button 6.
The temperature display refrigerator compartment 8 indicates **Cn**.
2. Press the refrigerator compartment temperature selection button 7 until the temperature display refrigerator compartment 8 indicates **AC** and the temperature display freezer compartment 4 indicates **OF**.
3. Press the freezer compartment temperature selection button 3.
The appliance is ready for automatic connection.
The temperature display freezer compartment 4 displays an animation for 2 minutes.
The appliance is ready for automatic connection for as long as the animation is displayed.
4. Within those 2 minutes, activate the WPS function on the home network router (e.g. using the WPS/WLAN button; read the information on this topic in the router documentation).
If the connection is successful, **On** flashes in the temperature display freezer compartment 4.
The refrigerator is ready to connect with the app.

Note:

If the temperature display freezer compartment 4 indicates **OF**, no connection could be established.

1. Check whether the refrigerator is located within the range of the home network (WLAN).
2. Repeat the process or establish the connection manually.

Manual connection with the home network (WLAN)

If the WLAN router present does not have a WPS function, or if this is unknown, you can manually connect the refrigerator with the home network.

1. Press the Home Connect button 6.
Temperature display refrigerator compartment 8 indicates **Cn**.
2. Press the refrigerator compartment temperature selection button 7 until the temperature display refrigerator compartment 8 indicates **SA** and the temperature display freezer compartment 4 indicates **OF**.
3. Press the freezer compartment temperature selection button 3.
The appliance is ready for manual connection.
The temperature display freezer compartment 4 displays an animation.
The appliance is ready for manual connection for as long as the animation is displayed.
4. The refrigerator has now set up its own WLAN network with the network name HomeConnect.
You can now access this network with your mobile device.
5. Call up the WLAN settings in the settings menu of the mobile device.
6. Connect the mobile device with the WLAN network HomeConnect.
Password: HomeConnect
It can take up to 60 seconds to establish the connection.
7. After successfully connecting, open the Home Connect app on the mobile device.
The app will search for the refrigerator.
8. As soon as the refrigerator has been found, enter the network name (SSID) and the password (Key) of your own home network (WLAN) into the corresponding fields.
9. Confirm with the button **Transmit to domestic appliances**.
 - Once successfully connected, **On** flashes in the temperature display freezer compartment 4.
You can now connect the refrigerator with the app.
 - If the temperature display freezer compartment 4 indicates **OF**, it was not possible to establish a connection.
Check whether the refrigerator is located within the range of the home network (WLAN). Repeat the process.

Connecting the refrigerator with the app

1. Press the Home Connect button 6.
The temperature display refrigerator compartment 8 indicates **Cn**.
2. Press the refrigerator compartment temperature selection button 7 until the temperature display refrigerator compartment 8 indicates **PA** and the temperature display freezer compartment 4 indicates **OF**.
3. Press the freezer compartment temperature selection button 3 to connect the appliance to the app.
The temperature display freezer compartment 4 displays an animation.
As soon as the refrigerator and app are connected, the temperature display freezer compartment 4 indicates **On**.
4. Wait until the refrigerator is displayed in the Home Connect app on the mobile device. Then select **+** (add).
If the refrigerator is not automatically displayed, first select **Search for domestic appliances** and then **Connect domestic appliance** in the Home Connect app.
5. Follow the instructions in the app until the process is complete.
The temperature display refrigerator compartment 8 indicates **PA** and the temperature display freezer compartment 4 indicates **On**.
The refrigerator is successfully connected with the app.
If the connection fails, check whether the mobile device is connected to the home network (WLAN). Then try to establish the connection again.
If the temperature display freezer compartment 4 indicates **Er**, reset the Home Connect settings.

Note:

When resetting, all the Home Connect settings are reset.

Verify signal strength

You should verify the signal strength if no connection can be established.

1. Press the Home Connect button 6.
The temperature display refrigerator compartment 8 indicates **Cn**.
2. Press the refrigerator compartment temperature selection button 7 until the temperature display refrigerator compartment 8 indicates **SI**. The temperature display freezer compartment 4 indicates a value between 0 (no reception) and 3 (full reception).
The signal strength should be at least 2. If the signal strength is too weak, the connection may be interrupted.
 - Place the router and refrigerator closer together.
 - Ensure that the connection do not interfere with by screening walls.
 - Alternatively, install a repeater to make the signal stronger.

Resetting Home Connect settings

If there is a problem when trying to establish a connection or if you want to register the appliance in a different home network (WLAN), the Home Connect settings can be reset:

1. Press the Home Connect button 6.
The temperature display refrigerator compartment 8 indicates **Cn**.
2. Press the refrigerator compartment temperature selection button 7 until the temperature display refrigerator compartment 8 indicates **rE** and the temperature display freezer compartment 4 indicates **OF**.
3. Press the freezer compartment temperature selection button 3.
The temperature display freezer compartment 4 displays an animation for 15 seconds.
Then the temperature display freezer compartment 4 indicates **OF**.
The Home Connect settings have been reset.

Installing the Home Connect software update

The refrigerator checks for updates to the Home Connect software at regular intervals.

When an update is available, the temperature display refrigerator compartment 8 indicates **UP**.

Press any button to reset the display to the set temperature.

Installing the update:

1. Press the Home Connect button 6.
The temperature display refrigerator compartment 8 indicates **Cn**.
2. Press the refrigerator compartment temperature selection button 7 until the temperature display refrigerator compartment 8 indicates **UP** and the temperature display freezer compartment 4 indicates **OF**.
3. Press the freezer compartment temperature selection button 3.
The temperature display freezer compartment 4 displays an animation.
The update is installed.
During the installation, all buttons are locked.
 - If the installation was successful, the temperature display freezer compartment 4 indicates **On**.
 - If installation was not successful, the temperature display freezer compartment 4 indicates **Er**. Start the update again at a later time. If the installation has still not been successfully completed after several attempts, inform customer Service.

Information on data protection

When your Home Connect refrigerator is connected for the first time to a WLAN network that is connected to the Internet, your appliance transmits the following categories of data to the Home Connect server (initial registration):

- Unique appliance identification (consisting of appliance codes as well as the MAC address of the installed Wi-Fi communication module).
- Security certificate of the Wi-Fi communication module (to ensure a secure IT connection).
- The current software and hardware version of your domestic appliance.
- Status of any previous resetting to factory settings.

This initial registration prepares the Home Connect functions for use and is required only when you want to use Home Connect for the first time.

Note:

Note that the Home Connect functions can be used only in conjunction with the Home Connect app. Information on data protection can be accessed in the Home Connect app.

Usable capacity

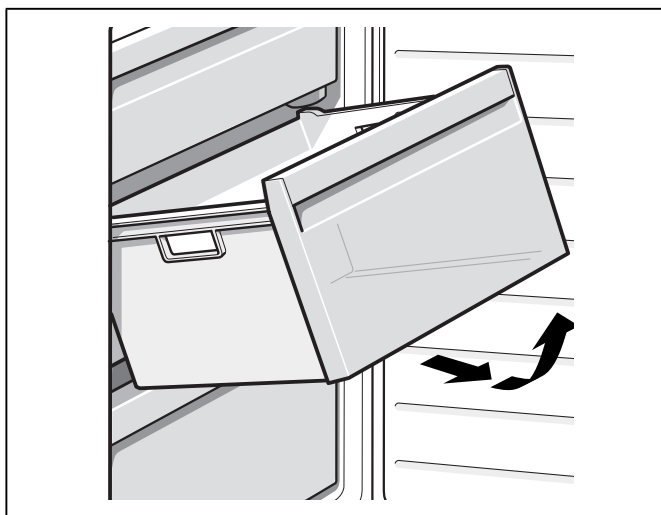
Information on the usable capacity can be found inside your appliance on the rating plate (see diagram in chapter Customer service).

Fully utilizing the freezer volume

The maximum amount of food can be placed in the freezer by removing all fittings. The food can be stacked directly on the shelves and in the bottom of the freezer compartment.

Removing the fittings

Pull out the frozen food container all the way, lift at the front and remove.



Refrigerator compartment

The refrigerator compartment is the ideal storage location for meat, sausage, fish, dairy products, eggs, ready meals and pastries.

Note when storing food

- Store fresh, undamaged food. The quality and freshness will then be retained for longer.
- In the case of ready-made products and bottled goods, observe the best-before date or use-by date specified by the manufacturer.
- To retain aroma, color and freshness, pack or cover food well before placing in the appliance. This will prevent the transfer of flavors and the discoloration of plastic parts in the refrigerator compartment.
- Allow warm food and drinks to cool down before placing in the appliance.

Note:

Avoid contact between food and rear panel. Otherwise the air circulation will be impaired.

Food or packaging could freeze to the rear panel.

Note the chill zones in the refrigerator compartment

The air circulation in the refrigerator compartment creates different chill zones:

- Coldest zone is between the arrow stamped on the side and the glass shelf situated below.

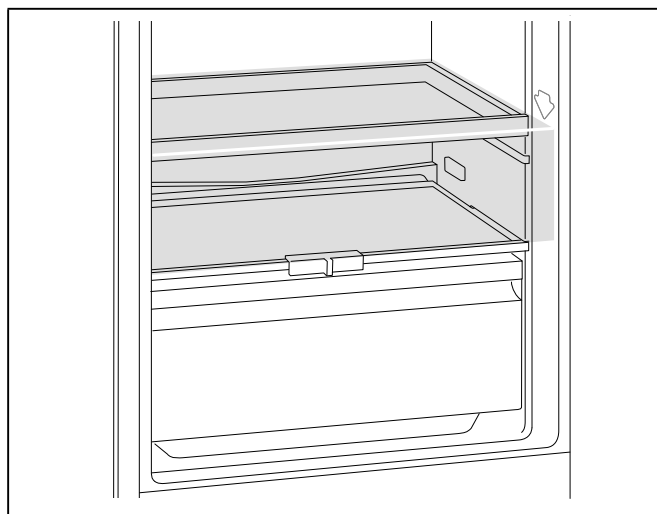
Note:

Store perishable food (e.g. fish, sausage, meat) in the coldest zone.

- The warmest zone is at the very top of the door.

Note:

Store e.g. hard cheese and butter in the warmest zone. Cheese can then continue to release its flavor, and butter will still be easy to spread.

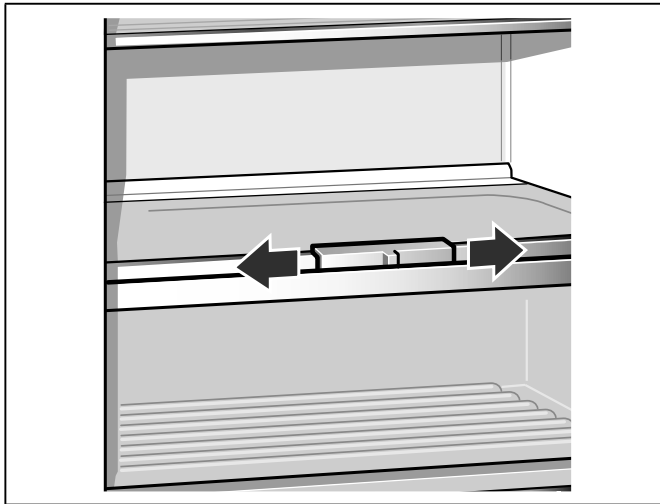


Vegetable container with humidity controller

The vegetable container is the optimum storage location for fresh fruit and vegetables. A humidity controller and a special seal can be used to adjust the air humidity in the vegetable container. This allows fresh fruit and vegetables to be stored up to twice as long as with conventional storage.

The air humidity in the vegetable container can be set according to the type and quantity of products to be stored:

- Mainly fruit as well as for a large load – lower air humidity
- Mainly vegetables as well as for a mixed load or small load – higher air humidity



Note:

Fruit sensitive to cold (e.g. pineapple, banana, papaya and citrus fruit) and vegetables sensitive to cold (e.g. eggplant, cucumbers, zucchini, peppers, tomatoes and potatoes) should be stored outside the refrigerator at temperatures of approx. +46 °F (+8 °C) to +54 °F (+12 °C) for optimum preservation of quality and flavor.

Note:

Condensation may form in the vegetable container depending on the type and quantity of products stored. Remove condensation with a dry cloth and adjust air humidity in the vegetable container with the humidity controller.

Super cooling

Super cooling cools the refrigerator compartment as cold as possible for approx. 15 hours. Then the appliance automatically switches to the temperature set prior to super cooling mode.

Switch on super cooling mode, e.g.

- before placing large quantities of food in the refrigerator compartment
- for the fast cooling of drinks.

Note:

When super cooling is switched on, increased operating noises may occur.

Switching on and off

Press refrigerator compartment super button 9.

The button is lit when super cooling is switched on.

Freezer compartment

Use the freezer compartment

- To store frozen food.
- To make ice cubes.
- To freeze food.

Note:

Ensure that the freezer compartment door has always been closed properly! If the door is open, the frozen food will thaw. The freezer compartment will become covered in thick ice. Besides: energy is wasted due to the high power consumption!

Freezing and storing food

Purchasing frozen food

- The packaging must not be damaged.
- Pay attention to the expiration date.
- Temperature in the supermarket freezer must be 0 °F (-18 °C) or lower.
- If possible, transport frozen food in an insulated bag and place quickly in the freezer compartment.

When loading products

- Preferably freeze large quantities of food in the top compartment, where food freezes particularly quickly and therefore also gently.
- Place the food over the whole area of the compartments or the frozen food containers.

Note:

Food which is already frozen must not come into contact with the food which is to be frozen. If required, move the frozen food to other frozen food containers.

Storing frozen food

Insert frozen food container all the way to ensure unrestricted air circulation.

Freezing fresh food

Freeze only fresh and undamaged food.

To retain the best possible nutritional value, flavor and color, vegetables should be blanched before freezing. Eggplants, peppers, zucchini and asparagus do not require blanching.

Literature on freezing and blanching can be found in bookstores.

Note:

Keep food which is to be frozen away from food which is already frozen.

- The following foods are suitable for freezing:
Baked goods, fish and seafood, meat, game, poultry, vegetables, fruit, herbs, eggs without shells, dairy products such as cheese and butter, ready meals and leftovers such as soups, stews, cooked meat and fish, potato dishes, soufflés and desserts.
- The following foods are not suitable for freezing:
Vegetables that are usually consumed raw, such as lettuce or radishes, eggs in shells, grapes, whole apples, pears and peaches, hard-boiled eggs, yoghurt, soured milk, sour cream, crème fraîche and mayonnaise.

Packing frozen food

To prevent food from losing its flavor or drying out, place in airtight containers.

1. Place food in packaging.
2. Remove air.
3. Seal the packaging.
4. Label packaging with contents and date of freezing.

Suitable packaging:

Cling wrap, tubular film made of polyethylene, aluminum foil, freezer containers.

These products are available from specialist outlets.

Unsuitable packaging:

Wrapping paper, greaseproof paper, cellophane, bin liners and used shopping bags.

Items suitable for sealing packaged food:

Rubber bands, plastic clips, string, cold-resistant adhesive tape, etc.

Bags and tubular film made of polyethylene (PE) can be sealed with a film heat sealer.

Shelf life of frozen food

Shelf life depends on the type of food.

At a temperature of 0° F (-18° C):

- Fish, sausage, ready meals, cakes and pastries:
up to 6 months
- Cheese, poultry and meat:
up to 8 months
- Vegetables, fruit:
up to 12 months

Super freezing

Food should be frozen solid as quickly as possible in order to retain vitamins, nutritional value, appearance and flavor.

Several hours before placing fresh food in the freezer compartment, switch on super freezing to prevent an unwanted temperature rise.

As a rule, 4–6 hours is adequate.

This appliance runs constantly, and the freezer compartment drops to a very low temperature.

You can place smaller quantities of food (up to 2 kg) in the top compartment without super freezing.

Note:

When super freezing is switched on, increased operating noises may occur.

Switching on and off

Press freezer compartment super button 2.

The button is lit when super freezing is switched on.

Super freezing automatically switches off after approx. 2½ days.

Thawing frozen food

Depending on the type and application, you can select one of the following options:

- at room temperature
- in the refrigerator
- in an electric oven with/without a hot air fan
- in a microwave.



CAUTION:

Do not refreeze partly or completely thawed food. Only food that has then been cooked (boiled or fried) may be refrozen.

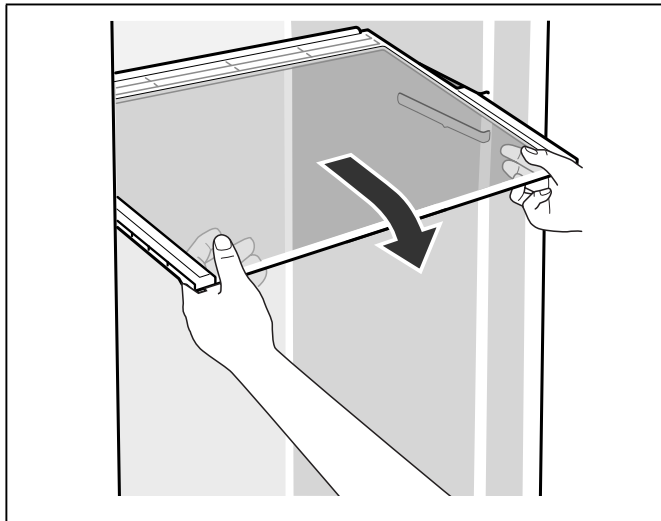
Do not store the frozen produce for the max. storage period.

Interior fittings

(not all models)

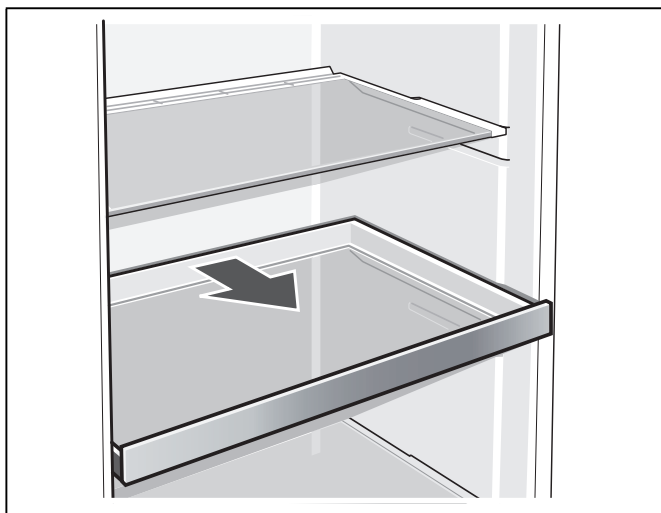
Glass shelves

You can reposition the inner shelves as required: lift shelf, pull forwards, lower and swivel out to the side.



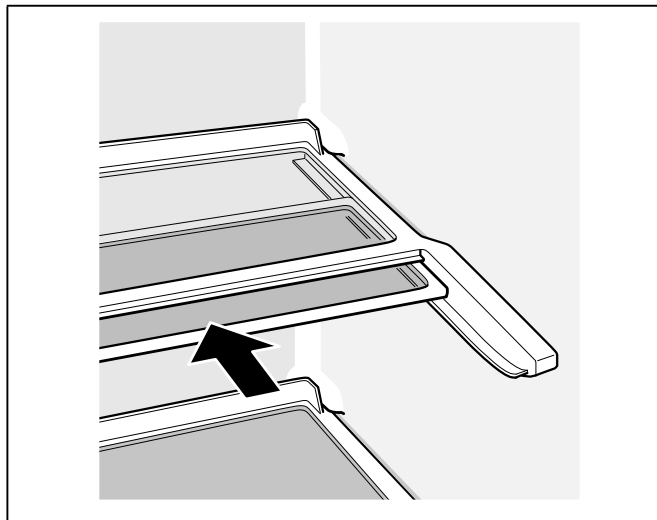
Extendable glass shelf

The extendable glass shelf can be pulled out for a better overview of the food.



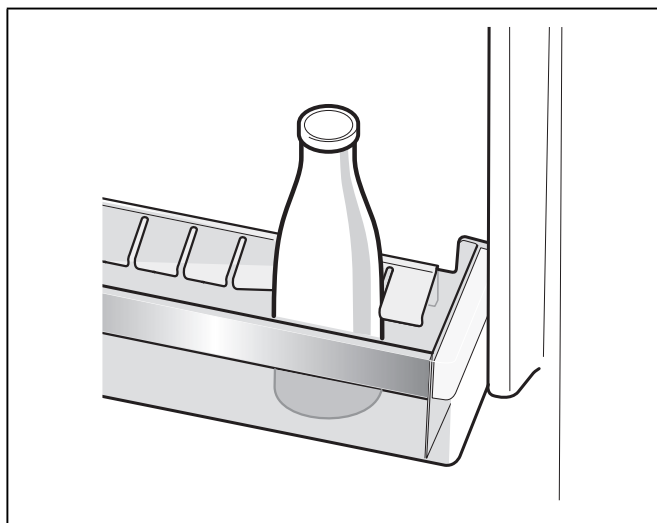
Vario shelf

To store tall food items (e.g. jugs or bottles), you can remove the front part of the Vario shelf and slide it under the back part.



Bottle holder

The bottle holder prevents bottles from falling over when the door is opened and closed.



Freezer calendar

See chapter Getting to know your appliance. To prevent the quality of the frozen food from deteriorating, do not exceed the storage period. The storage period depends on the type of produce. The figures beside the symbols indicate the permitted storage period in months for frozen food. In the case of commercially available frozen food, observe the date of manufacture or use-by date.

Ice cube tray

Fill the ice cube tray $\frac{3}{4}$ full of drinking water and place in the freezer compartment.

If the ice tray is stuck to the freezer compartment, loosen with a blunt implement only (spoon handle).

To loosen the ice cubes, twist the ice cube tray slightly or hold briefly under running water.

Ice pack

(if enclosed, quantity varies)

If a power failure or malfunction occurs, the ice packs can be used to delay the thawing process. The longest storage time is obtained by placing the ice pack on the food in the top compartment.

The ice pack can also be used to cool food temporarily, e.g. in a cold bag.

Switching off and disconnecting the appliance

Switching off the appliance

Press the on/off button 1.

Temperature display goes out, refrigeration unit switches off.

Disconnecting the appliance

If you do not use the appliance for a prolonged period:

1. Switch off the appliance.
2. Pull out the mains plug or switch off the fuse.
3. Clean the appliance.
4. Leave the appliance door open.

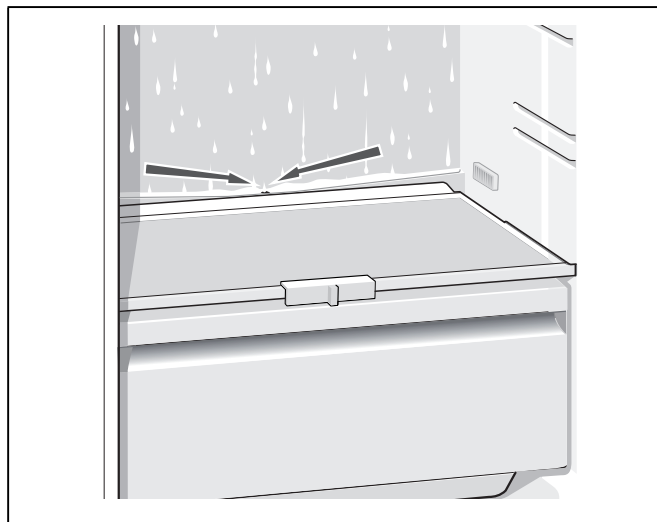
Defrosting

Refrigerator compartment

While the appliance is in operation, condensation droplets or frost form on the rear panel of the refrigerator compartment. As the rear panel defrosts automatically, it is not necessary to remove the frost or condensation droplets. The condensation runs through the condensation channel and the drainage hole to the evaporation pan, where it evaporates.

Note:

Keep the condensation channel and drainage hole clean, so the condensation can drain off.



Freezer compartment

The fully automatic No Frost system ensures that the freezer compartment remains free of ice. Defrosting is no longer required.

Cleaning the appliance



CAUTION:

- Do not use abrasive, chloride or acidic cleaning agents or solvents.
- Do not use scouring or abrasive sponges. The metallic surfaces could corrode.
- Never clean the shelves or containers in the dishwasher. The parts may become deformed!

Proceed as follows:

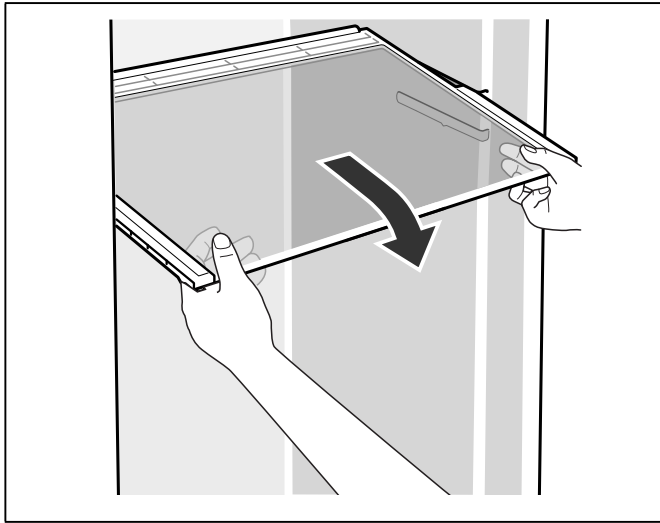
1. Before cleaning: Switch the appliance off.
2. Pull out mains plug or switch off fuse.
3. Take out food and store in a cool location. Place ice pack (if available) on the food.
4. Wait until the layer of frost has thawed.
5. Clean the appliance with a soft cloth, lukewarm water and a little pH-neutral washing-up liquid. The rinsing water must not run into the light or through the drainage hole into the evaporation area.
6. Wipe the door seal with clear water only and then wipe dry thoroughly.
7. After cleaning reconnect and switch the appliance back on.
8. Put the food back in the appliance.

Interior fittings

All variable parts of the appliance can be taken out for cleaning.

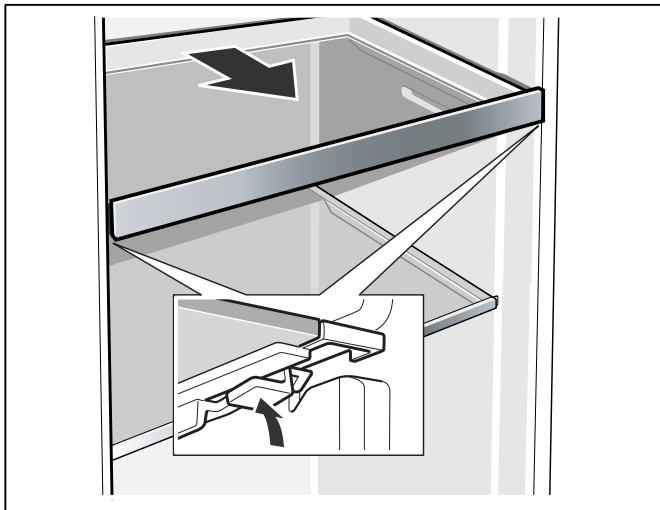
Take out glass shelves

To do this, pull out shelf, lift at the front and take out.



Taking out the extendable glass shelf

Hold down levers on the underside on both sides, pull glass shelf forwards, lift and swivel out to the side.



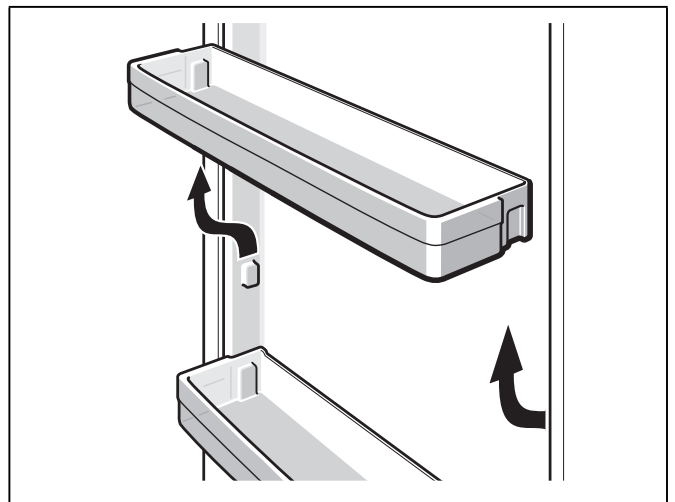
Condensation channel

Regularly clean the condensation channel and drainage hole with a cotton bud or similar implement to ensure that the condensation can drain off.



Taking out shelves in the door

Lift shelves upwards and take out.

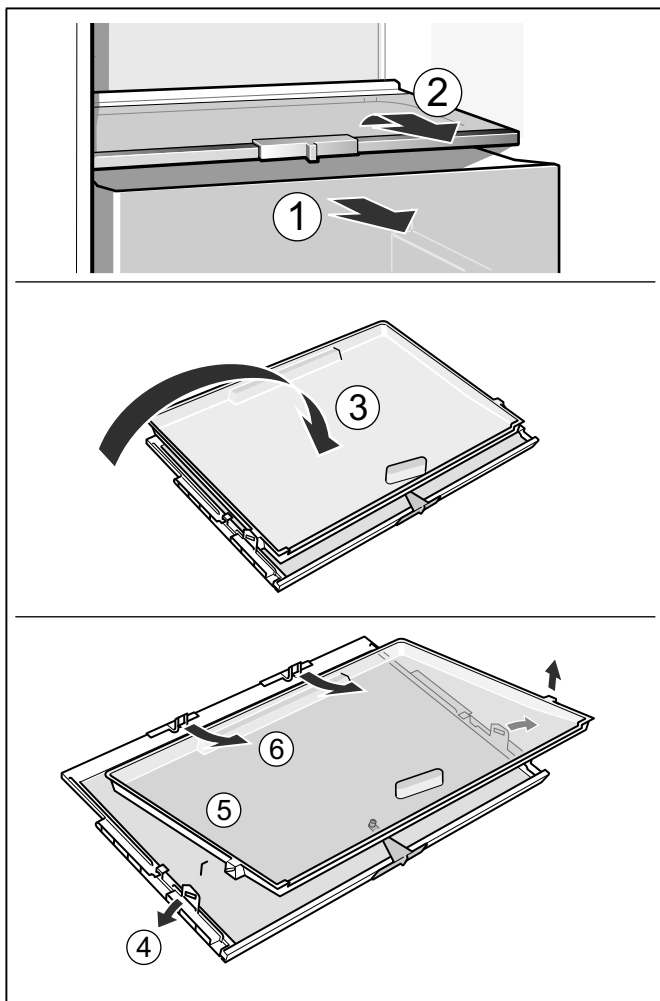


Taking out glass shelf above vegetable container

The glass shelf can be taken out and disassembled for cleaning.

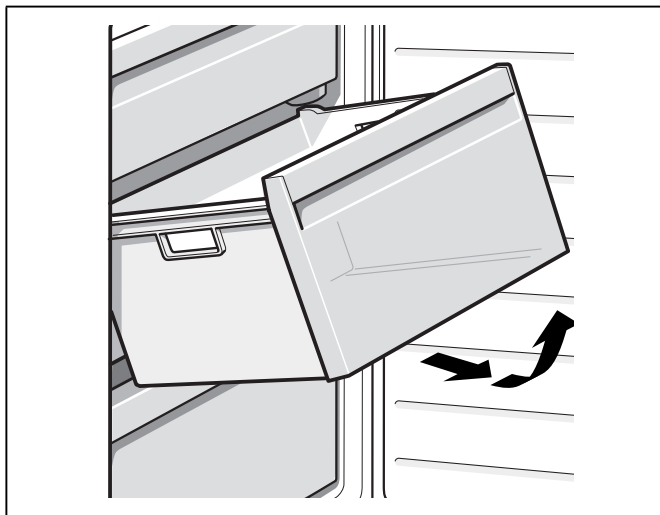
Note:

Before taking out the glass shelf, pull out the vegetable container.



Removing containers

Pull out the container all the way, lift at the front and remove.



Odors

If you experience unpleasant odors:

1. Switch off the appliance with the on/off button ①.
2. Take all food out of the appliance.
3. Clean interior (see chapter Cleaning the appliance).
4. Clean all packaging.
5. Seal strong smelling food in order to prevent odors from forming.
6. Switch the appliance on again.
7. Store food in the appliance.
8. Check whether the formation of odors is still occurring after 24 hours.

Light (LED)

Your appliance features a maintenance-free LED light. These lights may be repaired by customer service or authorized technicians only.

Saving energy

- Install the appliance in a dry, ventilated room. The appliance should not be installed in direct sunlight or in the vicinity of heat sources (e.g. radiator, cooker). If required, use an insulating plate.
- Select 560 mm niche depth. A smaller niche depth will result in a higher energy consumption.
- Allow warm food and drinks to cool down before placing them in the appliance.
- Thaw frozen food in the refrigerator compartment and use the low temperature of the frozen food to cool refrigerated food.
- Open the appliance as briefly as possible.
- Make sure that the freezer compartment door has always been closed properly!
- To avoid increased power consumption, occasionally clean the back of the appliance.
- The arrangement of the fittings does not affect the energy absorption of the appliance.

Operating noises

Completely normal noises

Droning

Motors are running (e.g. refrigeration units, fan).

Bubbling, humming or gurgling noises

Refrigerant flowing through the pipes.

Clicking

Motor, switches or solenoid valves are switching on/off.

Cracking

Automatic defrosting is running.

Preventing noises

The appliance is not level

Align the installation cavity with a water level. To do this, use the height-adjustable feet of the cavity or place something underneath.

Containers or storage areas wobble or stick

Check which parts are removable and, if necessary, re-insert them correctly.

Containers are touching

Move the containers slightly apart.

Rectifying minor faults yourself

Before you call customer service:

Check whether you can eliminate the fault yourself based on the following information.

Customer service will charge you for advice – even if the appliance is still under guarantee!

Fault	Possible cause	Remedial action
Temperature differs greatly from the set value.		In certain cases it may be enough to switch off the appliance for 5 minutes. If the temperature is too high, wait a few hours and check whether the temperature has approached the set value. If the temperature is too low, check the temperature again the next day.
Displays do not illuminate.	Power cut; the fuse has tripped; the mains plug has not been inserted properly.	Connect the mains plug. Check whether the power is on, and check the fuses.
Temperature display indicates "E..".	Electronics have detected a fault.	Call customer service.
Warning signal sounds, alarm button 5 lights up.		To switch off the warning signal, press the alarm button 5.
The freezer compartment is too warm!	Appliance is open.	Close the appliance.
Frozen food is at risk!	Ventilation openings have been covered.	Ensure that there is adequate ventilation.
	Large quantities of fresh food are being frozen.	Freeze less fresh food. When the fault has been eliminated, the alarm button 5 goes out shortly afterwards.
Temperature display freezer compartment 4 flashes.		To switch off the warning signal, press the alarm button 5.
Warning signal sounds	Appliance is open.	Close the appliance.
The alarm button 5 is lit.	Ventilation openings have been covered.	Ensure that there is adequate ventilation.
The freezer compartment is too warm!	Large quantities of fresh food are being frozen.	Freeze less fresh food. When the fault has been eliminated, the alarm display goes out shortly afterwards.
Frozen food is at risk!		

Fault	Possible cause	Remedial action
Temperature display freezer compartment 4 flashes.	A fault caused the freezer compartment to become too warm in the past.	When the alarm button 5 is pressed, the temperature display 4 stops flashing. The temperature display indicates for five seconds the warmest temperature which was reached in the freezer compartment.
Appliance is not cooling, temperature display and light are lit.	Showroom mode is switched on.	Start appliance self-test (see chapter Appliance self-test). When the program has ended, the appliance switches over to normal operation.

Appliance self-test

Your appliance features an automatic self-test program which indicates sources of faults that may be repaired by customer service only.

Starting the appliance self-test

1. Switch off the appliance and wait 5 minutes.
2. Switch on the appliance and then press and hold down the super button 2 for 3–5 seconds within the first 10 seconds until an audible signal sounds.

The self-test program starts.

While the self-test is running, a long audible signal sounds in the meantime.

If 2 audible signals sound and the set temperature is displayed after the self-test has ended, your appliance is OK.

If 5 audible signals sound and the freezer compartment super button flashes for 10 seconds after the self-test has ended, there is a fault. Inform customer service.

Ending the appliance self-test

When the program has ended, the appliance switches over to normal operation.

Customer service

If required, we recommend that you have the door hinges changed over by our customer service. You can find out the costs for changing over the door hinges from your customer service.

Before you call customer service, see the chapter Rectifying minor faults yourself.

After checking according to the chapter Rectifying minor faults yourself, additional help can be requested by calling the Bosch Customer Support Center, 1-800-944-2904 (toll-free), from anywhere in the United States.

In Canada contact your Bosch customer service or call 1-800-944-2904.

Write down the following information about your appliance so that you have it ready and can get better assistance if you require support from customer service.

Dealer's name: _____

Address: _____

Telephone number: _____

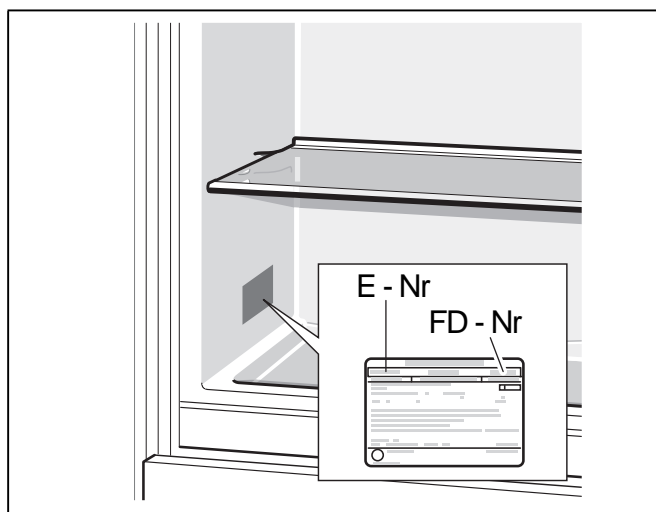
Purchase date: _____

Model number: _____

FD number: _____

Serial number _____

Type _____



fr Table des matières

Consignes de sécurité importantes.....	25	Super-réfrigération	38
Définition	25	Activer et désactiver	38
Avant de mettre l'appareil en service.....	25	Compartiment congélateur.....	38
Sécurité technique	25	Utiliser le compartiment congélateur.....	38
Pendant l'utilisation	26	Congeler et conserver.....	39
Les enfants et l'appareil.....	26	Achats de produits surgelés.....	39
Informations Générales	26	Consignes de rangement	39
Avertissements de la Proposition 65 de l'État de la Californie.....	26	Ranger des produits surgelés	39
Consignes de mise au rebut	27	Congeler des produits frais.....	39
♻️ Recycler l'emballage.....	27	Emballez les surgelés.....	39
♻️ Recycler l'appareil usagé.....	27	Durée de conservation des produits surgelés	39
Contenu de livraison.....	27	Super-congélation	40
Installer l'appareil	27	Activer et désactiver	40
Transport.....	27	Décongélation des produits.....	40
Lieu d'installation.....	27	Équipement	40
Aération	27	Clayettes en verre	40
Profondeur de niche	27	Clayette amovible en verre.....	40
Installation side by side.....	27	Clayette Vario	41
Cotes d'installation.....	28	Porte-bouteilles	41
Préparer les portes de meuble	28	Calendrier de congélation	41
Dimensions de la porte de meuble	29	Bac à glaçons.....	41
Brancher l'appareil.....	29	Accumulateurs de froid.....	41
Connexion électrique.....	29	Arrêter et remiser l'appareil	41
Se familiariser avec l'appareil.....	30	Éteindre l'appareil	41
Éléments de commande.....	31	Remisage de l'appareil	41
Allumer l'appareil	32	Dégivrer l'appareil.....	41
Remarques sur le fonctionnement de l'appareil ...	32	Compartiment réfrigérateur	41
Régler la température	32	Compartiment congélateur.....	42
Compartiment réfrigérateur	32	Nettoyer l'appareil.....	42
Compartiment congélateur.....	32	Équipement.....	42
Mode Vacances.....	32	Odeurs	44
Activer et désactiver	32	Éclairage (LED).....	44
Fonctions d'alarme	33	Économiser de l'énergie.....	44
Alarme de porte.....	33	Bruits de fonctionnement.....	44
Alarme de température	33	Bruits parfaitement normaux.....	44
Désactiver l'alarme	33	Éviter les bruits	44
Home Connect.....	33	Remédier soi-même aux petites pannes.....	45
Configurer Home Connect.....	33	Autodiagnostic de l'appareil	46
Installer la mise à jour du logiciel Home Connect.....	36	Lancer l'autodiagnostic de l'appareil.....	46
Remarque liée à la protection des données.....	36	Terminer l'autodiagnostic de l'appareil.....	46
Contenance utile	37	Service à la clientèle	46
Utiliser l'intégralité du volume de congélation.....	37		
Le compartiment réfrigérateur	37		
Consignes de rangement	37		
Tenez compte des différentes zones froides dans le compartiment réfrigérateur	37		
Bac à légumes avec régulateur d'humidité	38		

Consignes de sécurité importantes

VEUILLEZ LIRE ET CONSERVER CES CONSIGNES!

Définition

AVERTISSEMENT :

Indique que le non-respect de cet avertissement peut avoir comme conséquence la mort ou une blessure grave.

ATTENTION :

Indique que le non-respect de cet avertissement peut avoir comme conséquence une blessure légère ou moyenne.

Avant de mettre l'appareil en service

Veuillez lire attentivement et entièrement les informations figurant dans les notices d'utilisation et de montage. Elle contiennent des remarques importantes concernant l'installation, l'utilisation et l'entretien de l'appareil.

Le fabricant décline toute responsabilité si les consignes et mises en garde contenues dans la notice d'utilisation ne sont pas respectées. Conservez toute la documentation pour pouvoir la consulter à nouveau ultérieurement ou si l'appareil doit changer un jour de propriétaire.

Sécurité technique

Si l'appareil est endommagé :

- Éloignez l'appareil de toute flamme nue ou source d'inflammation,
- Bien aérer la pièce pendant quelques minutes.
- Éteignez l'appareil puis débranchez la fiche de contact de la prise de courant.
- Prévenez le service à la clientèle.

Plus il y a de fluide frigorigène dans un appareil et plus la pièce dans laquelle il se trouve doit être grande. Dans des locaux trop petits, un mélange inflammable de gaz et d'air risque de se former en cas de fuite.

Comptez 36 pieds³ (1 m³) de volume minimum de la pièce pour 8 g de fluide frigorigène. La quantité de fluide présente dans l'appareil est indiquée sur la plaque signalétique située à l'intérieur de ce dernier.

Le fluide frigorigène utilisé est inflammable. Risque d'incendie ou d'explosion.

La réparation doit être faite seulement par un personnel agréé. Toutes les mesures de sécurité doivent être respectées. N'ouvrez pas de force les tuyaux de fluide frigorigène. Suivez avec soin les instructions fournies. Éliminez convenablement l'appareil, conformément à la réglementation fédérale ou locale en vigueur.

Si le cordon d'alimentation électrique de cet appareil a été endommagé, il faut confier son remplacement au fabricant, à un prestataire de service d'entretien agréé ou à une personne détenant des qualifications similaires. Les installations et réparations effectuées par des personnes inexpérimentées peuvent engendrer des risques pour l'utilisateur.

Les réparations ne pourront être réalisées que par le fabricant, un prestataire de service d'entretien agréé ou une personne détenant des qualifications similaires.

Il ne faut utiliser que les pièces d'origine du fabricant. Le fabricant ne garantit que les pièces d'origine car elles seules remplissent les exigences de sécurité.

L'appareil est livré équipé d'un cordon de raccordement au réseau à trois fils homologué UL.

Il est interdit en toutes circonstances de couper ou de retirer le troisième conducteur (mise à la terre) du câble d'alimentation.

L'appareil requiert une prise de courant à trois pôles. La prise de courant ne peut être branchée que par un électricien qualifié.

Lorsqu'une prise de courant standard bipolaire est disponible, il en va de la responsabilité personnelle du client de la remplacer par une prise de courant tripolaire réglementairement reliée à la terre. N'utilisez pas de connecteur adaptateur.



Consignes de sécurité importantes

VEUILLEZ LIRE ET CONSERVER CES CONSIGNES!

Pendant l'utilisation

- N'utilisez pas d'appareils électriques à l'intérieur de l'appareil (par ex. appareils de chauffage, machine à glaçons, etc.). Risque d'explosion !
- Ne décongelez et ne nettoyez jamais l'appareil avec un nettoyeur à vapeur ! La vapeur risque d'atteindre des pièces électriques et de provoquer un court-circuit. Risque d'électrocution !
- Pour détacher le givre ou les couches de glace, n'utilisez jamais d'objets pointus ou présentant des arêtes vives. Vous risqueriez d'endommager les tuyaux dans lesquelles circule le fluide frigorigène. Le fluide frigorigène peut s'enflammer en jaillissant ou provoquer des blessures oculaires.
- Ne stockez dans l'appareil ni produits contenant des gaz propulseurs inflammables (par ex. bombes aérosols) ni produits explosifs. Risque d'explosion!
- Ne vous servez pas des socles, rails télescopiques, portes etc. comme marchepieds ou pour vous appuyer.
- Avant de nettoyer, débranchez la fiche de contact de la prise de courant ou ramenez le disjoncteur en position éteinte. Ne saisissez que la fiche de contact, pas le cordon de branchement.
- Ne conservez les bouteilles de boissons fortement alcoolisées qu'hermétiquement fermées et debout.
- L'huile et la graisse ne doivent pas entrer en contact avec les parties en matières plastiques et le joint de porte. Les pièces en plastique et le joint de porte deviendront sinon poreux.
- Pour cette raison, ne recouvrez et n'obstruez en aucun cas les orifices d'aération.
- **Évitez des risques pour les enfants et les personnes handicapées :**
L'appareil ne doit pas être utilisé ni par des enfants lorsqu'ils ne sont pas surveillés par des adultes, ni par des personnes handicapées sans assistance.
Ne laissez jamais des enfants jouer avec l'appareil.
- Ne conservez aucun liquide en bouteille ou en boîte dans le compartiment congélateur (en particulier les boissons contenant du gaz carbonique). Les bouteilles et les boîtes pourraient éclater !
- Ne portez jamais des produits surgelés à la bouche immédiatement après les avoir sortis du compartiment congélateur.
Risque d'engelures !
- Évitez tout contact prolongé des mains avec les produits congelés, la glace ou les tubes de l'évaporateur etc.
Risque d'engelures !

Les enfants et l'appareil

- Ne confiez jamais l'emballage et ses pièces constitutives aux enfants.
Ils risquent de s'étouffer avec les cartons pliants et les feuilles plastique!
- L'appareil n'est pas un jouet!
- Si l'appareil est équipé d'une serrure : rangez la clé hors de portée des enfants !

Informations Générales

L'appareil convient pour

- réfrigérer et congeler des aliments,
- préparer des glaçons.

Cet appareil est destiné à un usage domestique dans un foyer privé et un environnement domestique.

Cet appareil est conçu pour une utilisation jusqu'à une altitude maximale de 2000 m.

Avertissements de la Proposition 65 de l'État de la Californie

Ce produit peut vous exposer à des produits chimiques, comme du chlorure de vinyle, reconnus par l'État de la Californie comme causant le cancer, des malformations congénitales ou d'autres effets nocifs sur la reproduction. Pour de plus amples renseignements, consultez

www.P65Warnings.ca.gov

Consignes de mise au rebut

Recycler l'emballage

L'emballage protège votre appareil contre les dégâts qu'il pourrait subir en cours de transport. Tous les matériaux qui le constituent sont compatibles avec l'environnement et recyclables. Aidez-nous à éliminer l'emballage dans le respect de l'environnement. Pour savoir comment vous débarrasser de l'emballage, veuillez consulter votre revendeur ou les services administratifs de votre mairie.

Recycler l'appareil usagé

Les appareils usagés ne sont pas des déchets sans valeur ! Leur élimination dans le respect de l'environnement permet de récupérer de précieuses matières premières.

AVERTISSEMENT :

Si l'appareil est usagé :

1. Débranchez la fiche de contact de la prise de courant.
2. Coupez le câble d'alimentation et débranchez la fiche de contact.
3. Pour dissuader les enfants de grimper dans l'appareil, ne retirez pas les clayettes et les bacs !
4. Pour éviter que des enfants ne se coincent dans l'appareil usagé :
Retirez les portes de l'appareil !
5. Ne laissez pas les enfants jouer avec l'appareil usagé. Risque d'asphyxie !

Les appareils frigorifiques contiennent du fluide frigorigène et des gaz dans l'isolation. Le fluide frigorigène et les gaz doivent être éliminés de façon adéquate. N'endommagez pas les tuyaux du circuit réfrigérant jusqu'à leur mise au rebut adéquate.

Contenu de livraison

Après avoir déballé, vérifiez toutes les pièces pour détecter d'éventuels dégâts dus au transport.

ATTENTION :

N'installez pas l'appareil s'il est endommagé.

En cas de problème, veuillez vous adresser au revendeur auprès duquel vous avez acquis l'appareil ou auprès de notre service à la clientèle.

La livraison comprend les pièces suivantes :

- Appareil encastrable
- Équipement (selon le modèle)
- Sachet avec matériel de montage
- Mode d'emploi
- Notice de montage
- Carnet de service à la clientèle.
- Pièce annexe de la garantie
- Informations relatives à la consommation d'énergie et aux bruits

Installer l'appareil

Faites installer l'appareil par un spécialiste qui respectera le contenu de la notice de montage ci-jointe.

AVERTISSEMENT :

N'installez pas cet appareil :

- En plein air
- Dans un environnement où de l'eau goutte,
- Dans des locaux à risque de gel.

Transport

L'appareil est lourd. Arrimez l'appareil lors du transport et du montage !

AVERTISSEMENT :

Comme l'appareil est lourd et encombrant, et pour réduire le risque de blessure ou d'endommagement de l'appareil, au moins deux personnes sont nécessaires pour mettre en place ce dernier.

Lieu d'installation

Un local sec et aérable convient comme lieu d'installation. Le lieu d'installation ne doit pas être directement exposé aux rayons du soleil et ne pas se trouver à proximité d'une source de chaleur (cuisinière, radiateur, etc.). Si l'installation à côté d'une source de chaleur est inévitable, veuillez utiliser un panneau isolant approprié ou respecter les écarts minimums suivants par rapport à la source de chaleur :

- 1 1/4" (3 cm) par rapport aux cuisinières électriques ou à gaz.
- 11 13/16" (30 cm) par rapport aux cuisinières à l'huile et au charbon.

Le plancher du lieu d'installation ne doit pas s'affaisser. Renforcez-le le cas échéant.

Aération

L'air se réchauffe au contact de la paroi arrière de l'appareil. L'air chaud doit pouvoir s'échapper sans obstacle. Dans le cas contraire, le groupe frigorifique devra fournir un effort plus important, ce qui augmente la consommation de courant. Pour cette raison, ne recouvrez pas et n'obstruez pas les orifices d'aération de l'appareil.

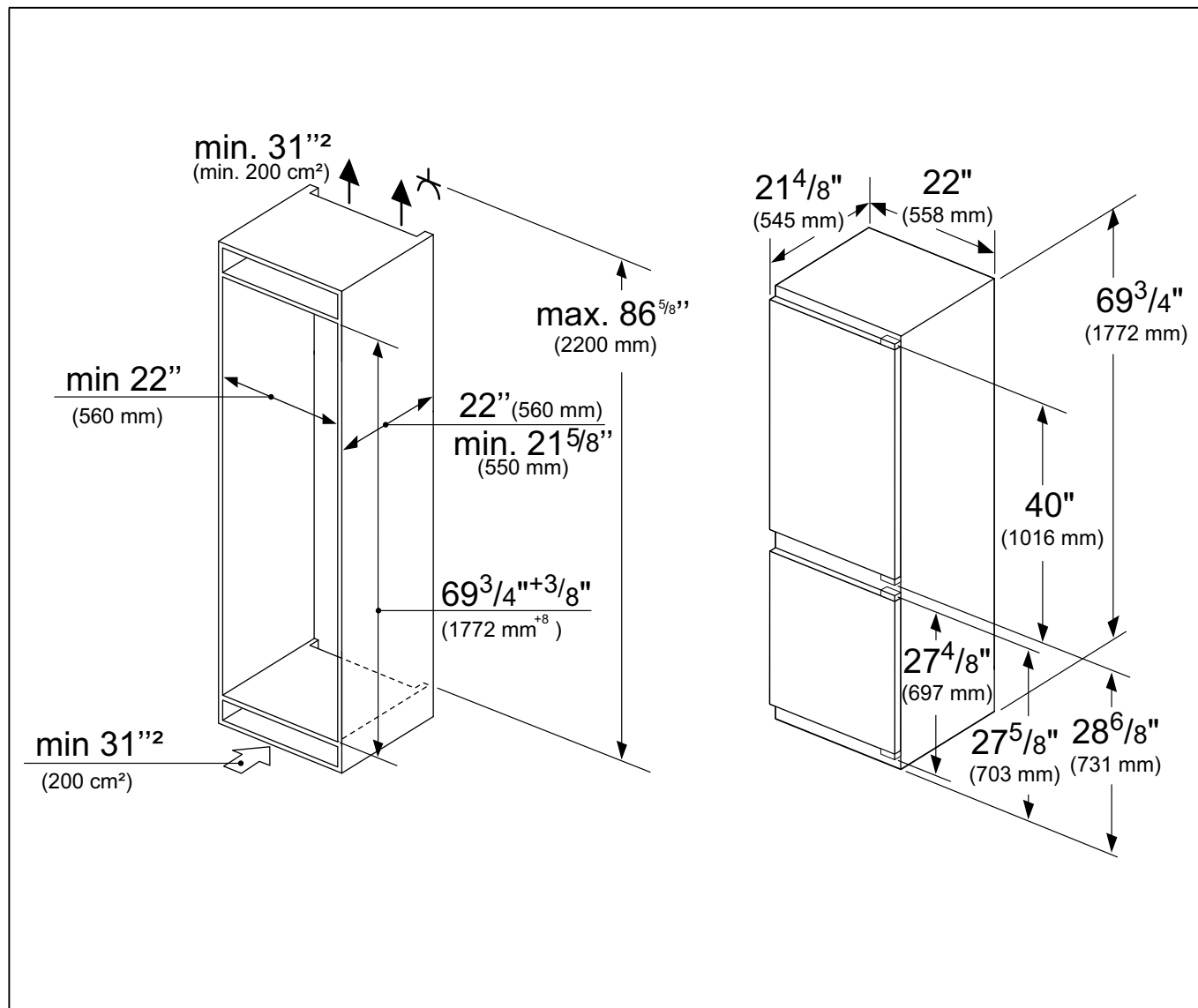
Profondeur de niche

Une profondeur de niche de 22³/₆₄ po (560 mm) est recommandée pour cet appareil. Si la niche est moins profonde (profondeur minimale de 21²¹/₃₂ po, soit 550 mm), la consommation d'énergie augmentera légèrement.

Installation side by side

Une installation côte-à-côte des appareils nécessite un écartement d'au moins 5,9 po (15 cm).

Cotes d'installation



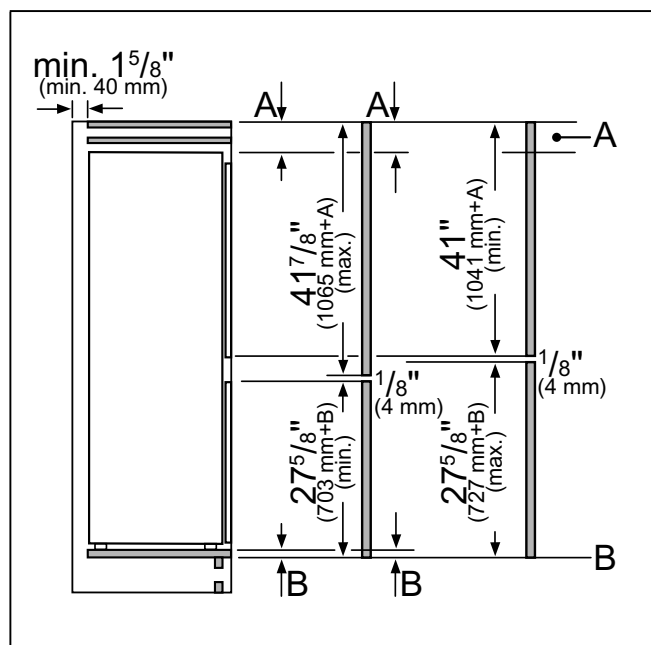
Préparer les portes de meuble

Remarque :

En cas de travaux sur les portes de meuble, vous devez toujours respecter les conditions suivantes :

- Choisissez une épaisseur de porte de meuble comprise entre au moins 5/8 po (16 mm) et 3/4 po (19 mm).
- Choisissez une longueur de vis toujours inférieure à l'épaisseur de la porte de meuble.
- Vissez toujours dans la partie la plus résistante aux charges de la porte de meuble.
- Ne vissez pas dans les remplissages ou parties similaires.
- Ne vissez pas dans le filtre, les bandes décoratives ou parties similaires.
- Protégez les surfaces de la porte de meuble pendant l'installation, afin de ne pas les endommager.

Dimensions de la porte de meuble



Légende

- A Dépassement de la porte de meuble
B Arête inférieure de la porte de meuble

Les dimensions de la porte de meuble indiquées sont valables pour un joint de porte de $\frac{5}{32}$ po (4 mm).

Brancher l'appareil

Une fois l'appareil installé, attendez au moins 8 heures avant de le mettre en marche. Lors du transport, il se peut que de l'huile contenue dans le compresseur se dépose dans le système de refroidissement.

Avant la première mise en service, nettoyez le compartiment intérieur de l'appareil (voir le chapitre Nettoyage de l'appareil).

Connexion électrique



AVERTISSEMENT :

Risque d'électrocution !

Cet appareil doit être branché dans une prise triphasée uniquement. Ne retirez jamais la broche de mise à la terre. N'utilisez pas d'adaptateur. N'utilisez pas de rallonge électrique.



AVERTISSEMENT :

Risque d'électrocution !

Un branchement incorrect de l'appareil pose un risque de mort, d'incendie ou d'électrocution. Un branchement inadéquat du conducteur de terre pose un risque d'électrocution. En cas d'incertitude sur la bonne mise à la terre de l'appareil, faites-le inspecter par un électricien ou technicien qualifié.



AVERTISSEMENT :

Risque d'électrocution !

Si la longueur du cordon d'alimentation est insuffisante, abstenez-vous à tout prix d'utiliser une rallonge ou un bloc multiprise. Contactez plutôt le service à la clientèle pour des solutions de rechange.

Le raccordement de cet appareil demande la présence d'une prise de courant fixe.

La prise de courant doit être proche de l'appareil et demeurer librement accessible une fois ce dernier installé.

L'appareil est conforme à la classe de protection I. Branchez l'appareil à une prise de courant installée réglementairement. Par « réglementairement », on entend : avec conducteur de terre et courant alternatif de 110 à 120 V/60 Hz. La prise doit être protégée par un fusible supportant une intensité de 10 A à 16 A.

L'appareil est livré équipé d'un cordon d'alimentation au réseau à trois fils homologué UL. L'appareil requiert une prise de courant à trois pôles.

Veuillez observer le tableau suivant à ce sujet :

Appareil	Charge maximale simultanée
Combinaison réfrigérateur/congélateur	6 A

Vérifiez sur la plaque signalétique si la tension indiquée et le type de courant correspondent aux valeurs de votre réseau électrique. La position de la plaque signalétique est indiquée au chapitre Service à la clientèle.



AVERTISSEMENT :

Il est interdit de brancher l'appareil à une prise à économie d'énergie électronique.

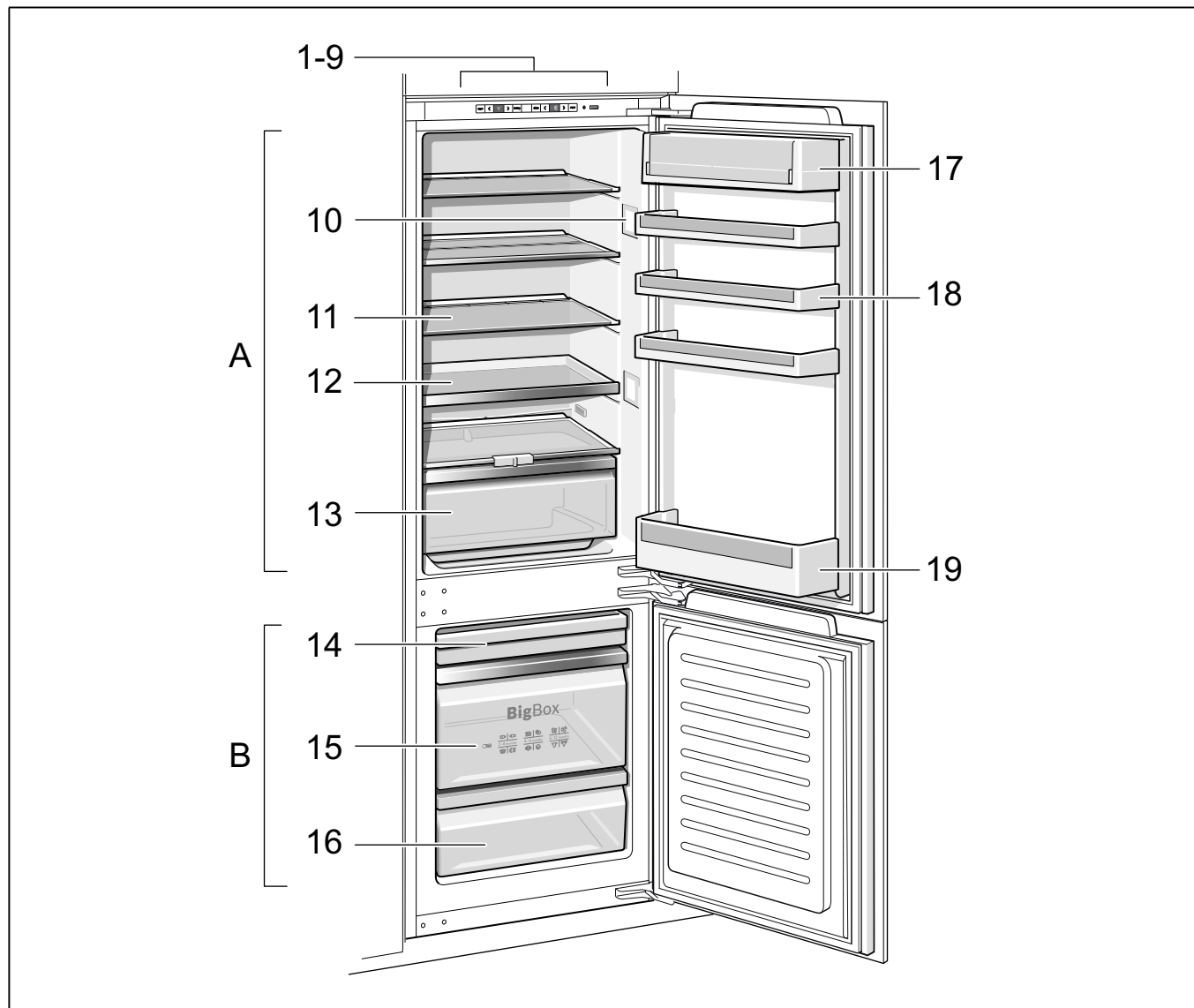
Nos appareils peuvent être alimentés via des onduleurs pilotés par le secteur ou à pilotage sinusoïdal. Directement raccordées au secteur public, les installations photovoltaïques font appel à des onduleurs pilotés par le secteur. Dans les solutions en îlots (p. ex. sur les bateaux ou les refuges de montagne), ne disposant pas d'un raccordement direct au secteur électrique public, il faut utiliser des onduleurs à pilotage sinusoïdal.

Se familiariser avec l'appareil

La présente notice d'utilisation vaut pour plusieurs modèles.

L'équipement des modèles peut varier.

Selon le modèle, l'appareil peut différer du contenu des illustrations.

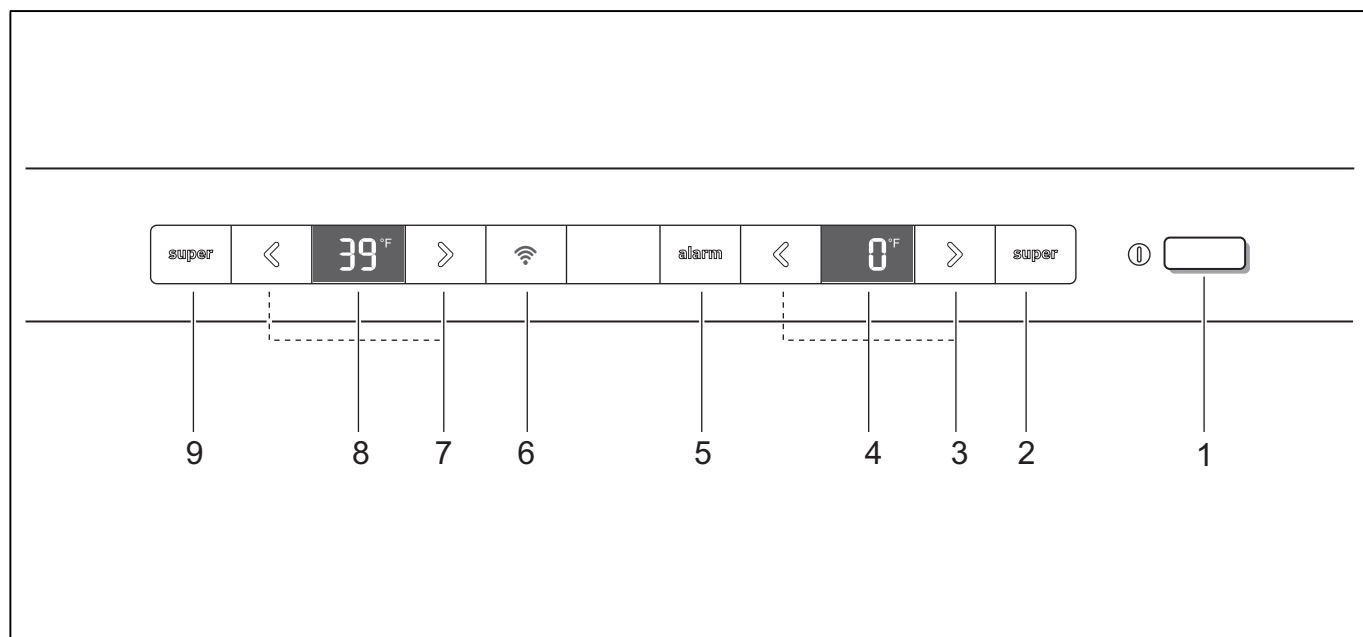


* Selon le modèle.

- A Compartiment réfrigérateur
- B Compartiment congélateur

- 1-9 Éléments de commande
- 10 Éclairage
- 11 Dépôts de glace dans le compartiment réfrigérateur
- 12 Clayette amovible en verre
- 13 Bac à légumes
- 14* Bac à fruits
- 15 Calendrier de congélation
- 16 Bac à produits congelés
- 17 Compartiment à beurre et à fromage *
- 18 Rangement en contre-porte
- 19 Clayette pour grandes bouteilles

Éléments de commande



- 1 **Touche Marche / Arrêt**
Pour allumer et éteindre l'ensemble de l'appareil.
- 2 **Touche Super du compartiment congélateur**
Pour activer et désactiver la super-congélation.
- 3 **Touches de réglage de la température du compartiment congélateur**
Ces touches servent à régler la température du compartiment congélateur.
- 4 **Affichage de température du compartiment congélateur**
Les chiffres indiquent les températures en °F réglées dans le compartiment congélateur.
- 5 **Touche alarm**
Pour désactiver l'alarme sonore (voir le chapitre Fonction alarme).
- 6 **Touche Home Connect**
Pour allumer et éteindre l'appareil, ainsi que pour configurer la fonction Home Connect (voir chapitre Home Connect).
- 7 **Touches de réglage de la température du compartiment réfrigérateur**
Ces touches servent à régler la température du compartiment réfrigérateur.
- 8 **Affichage de température du compartiment réfrigérateur**
Les chiffres indiquent les températures en °F réglées dans le compartiment réfrigérateur.
- 9 **Touche Super du compartiment réfrigérateur**
Pour activer et désactiver la super-réfrigération.

Allumer l'appareil

1. Allumez l'appareil avec la touche Marche / Arrêt 1.
Une alarme sonore retentit, l'affichage de température 4 clignote et la touche alarm 5 s'allume.
2. Appuyez sur la touche alarm 5 pour éteindre le son.
L'appareil commence à se refroidir. L'éclairage s'allume lorsque la porte est ouverte.

Les températures préréglées ne sont atteintes qu'au bout de plusieurs heures. Pendant cette période, ne rangez pas d'aliments dans l'appareil !

Le fabricant recommande les températures suivantes :

- Compartiment congélateur : 0 °F (-18 °C)
- Compartiment réfrigérateur : 39 °F (+4 °C)

Remarques sur le fonctionnement de l'appareil

- Une fois allumé, l'appareil peut prendre plusieurs heures à atteindre la température réglée. Pendant cette période, ne rangez pas d'aliments dans l'appareil!
- Grâce au système antigivre NoFrost entièrement automatique, le congélateur ne se couvre pas de givre. Aucun dégivrage n'est nécessaire.
- L'appareil chauffe légèrement une partie de ses surfaces frontales pour empêcher une condensation d'eau dans la zone du joint de porte.
- Si vous avez de la difficulté à ouvrir la porte du congélateur tout de suite après l'avoir fermée, donnez à la dépression créée dans le compartiment un instant pour se résorber.

Régler la température

Compartiment réfrigérateur

La température peut être réglée entre 36 °F (+2 °C) et +46 °F (+8 °C).

Appuyez sur la touche de réglage de la température du compartiment réfrigérateur 7 jusqu'à atteindre la température souhaitée dans ce compartiment.

L'appareil mémorise la valeur réglée en dernier.

L'affichage de température du compartiment réfrigérateur 8 indique la température réglée dans l'appareil.

Compartiment congélateur

La température peut être réglée entre +3 °F (-16 °C) et -11 °F (-24 °C).

Appuyez sur la touche de réglage de la température du compartiment congélateur 3 jusqu'à atteindre la température souhaitée dans ce compartiment.

L'appareil mémorise la valeur réglée en dernier.

L'affichage de température du compartiment congélateur 4 indique la température réglée dans l'appareil.

Mode Vacances

En cas d'absence prolongée, vous pouvez commuter l'appareil sur le mode Vacances, économe en énergie.

Le compartiment réfrigérateur commute automatiquement sur une température de 57 °F (14 °C).



ATTENTION :

Pendant cette période, ne rangez pas de produits alimentaires dans le compartiment réfrigérateur !

Activer et désactiver

- Activer : appuyez sur la touche > du compartiment réfrigérateur jusqu'à ce que l'affichage de température du compartiment réfrigérateur 8 indique **Ho**.
Si le mode Vacances activé, l'affichage de température du compartiment réfrigérateur n'indique plus de température.
- Désactiver : appuyez sur la touche < du compartiment réfrigérateur jusqu'à ce que l'affichage de température du compartiment réfrigérateur 8 indique la température souhaitée.

Fonctions d'alarme

Alarme de porte

L'alarme de porte (bruit continu) s'active si la porte de l'appareil reste ouverte plus d'une minute. Il suffit de refermer la porte pour que l'alarme cesse.

Alarme de température

L'alarme de température s'enclenche lorsque la température est trop élevée dans le compartiment congélateur, posant un risque pour la qualité des produits surgelés.

Appuyez sur la touche alarm 5 pour que l'affichage de température du compartiment congélateur 4 indique pendant cinq secondes la température la plus élevée atteinte par le congélateur.

Cette valeur est ensuite supprimée. L'affichage de température du compartiment congélateur 4 indique la température réglée sans clignoter.

À partir de ce moment, le système se remet à calculer la température la plus élevée et l'enregistre.

L'alarme peut s'activer dans les cas suivants, sans menacer la qualité des produits congelés :

- lors de la mise en service de l'appareil,
- lors du rangement de grandes quantités de produits frais,
- lorsque la porte du compartiment congélateur reste trop longtemps ouverte.

Remarque :

Ne remettez pas à congeler des produits alimentaires partiellement ou entièrement décongelés. Vous ne pourrez les recongeler qu'après les avoir transformés en plats pré-cuisinés (par cuisson ou rôtissage).

N'utilisez plus la durée de conservation dans son intégralité.

Désactiver l'alarme

Maintenez la touche alarm 5 enfoncée pour éteindre l'alarme.

Home Connect

Cet appareil est compatible Wi-Fi et peut être commandé à distance via un terminal mobile.

Remarque :

Wi-Fi est une marque déposée de la société Wi-Fi Alliance.

Dans les cas suivants, l'appareil fonctionne comme un appareil frigorifique sans connexion réseau et peut être manipulé manuellement à l'aide des éléments de commande :

- L'appareil n'est pas connecté à un réseau domestique.
- Le service Home Connect n'est pas disponible dans le pays où est installé l'appareil. Vous trouverez la liste des pays dans lesquels Home Connect sous www.home-connect.com.

Remarque :

- Observez les consignes de sécurité de cette notice d'utilisation et assurez-vous qu'elles sont également respectées si vous utilisez l'appareil via l'appli Home Connect alors que vous n'êtes pas à la maison. Voir le Chapitre Consignes de sécurité importantes. Observez aussi les consignes dans l'appli Home Connect.
- La manipulation au niveau de l'appareil même est à tout moment prioritaire. Pendant ce temps, la manipulation via l'appli Home Connect n'est pas possible.

Configurer Home Connect

Remarque :

- Observez la fiche Home Connect disponible au téléchargement sous www.bosch-home.com parmi les notices. Pour ce faire, saisissez le numéro E de votre appareil dans le champ de recherche.
- Attendez au moins deux minutes après la mise en marche de l'appareil que l'initialisation interne de l'appareil soit achevée. Ne configurez Home Connect qu'après cette dernière.
- Afin de pouvoir procéder à des réglages avec Home Connect, l'appli Home Connect doit être installée sur votre terminal mobile. Consultez les documents Home Connect fournis pour plus de détails. Suivez les étapes prescrites par l'appli pour procéder aux réglages.
- Si l'appareil n'est pas utilisé pendant une durée prolongée, le menu Home Connect se ferme automatiquement. Vous trouverez les instructions pour ouvrir le menu Home Connect au début des chapitres correspondants.

Connexion automatique au réseau domestique (WLAN)

Si un routeur WLAN avec la fonction WPS est disponible, l'appareil frigorifique peut être automatiquement relié au réseau domestique.

1. Appuyez sur la touche Home Connect 6.
L'affichage de température du compartiment réfrigérateur 8 indique **Cn**.
2. Appuyez sur la touche de réglage de la température du compartiment réfrigérateur 7 jusqu'à ce que l'affichage de température du compartiment réfrigérateur 8 indique **AC** et que l'affichage de température du compartiment congélateur 4 indique **OF**.
3. Appuyez sur la touche de réglage de la température du compartiment congélateur 3.
L'appareil est prêt pour la connexion automatique.
L'affichage de température du compartiment congélateur 4 montre une animation pendant 2 minutes.
Pendant toute la durée de l'animation, l'appareil est prêt pour la connexion automatique.
4. Pendant ces 2 minutes, activez la fonction WPS du routeur du réseau domestique (par exemple via la touche WPS/WLAN. Pour plus d'informations, voir les documents relatifs au routeur).
Une fois la connexion établie, **On** clignote sur l'affichage de température du compartiment congélateur 4.
L'appareil frigorifique est prêt pour une connexion à l'appli.

Remarque :

Si l'affichage de température du compartiment congélateur 4 indique **OF**, aucune connexion n'a pu être établie.

1. Vérifiez que l'appareil frigorifique se trouve dans la zone de portée du réseau domestique (WLAN).
2. Répétez l'opération ou établissez une connexion manuelle.

Connexion manuelle au réseau domestique (WLAN)

Si le routeur WLAN existant ne dispose d'aucune fonction WPS ou que cette dernière n'est pas détectée, il est possible de connecter l'appareil frigorifique manuellement au réseau domestique.

1. Appuyez sur la touche Home Connect 6.
L'affichage de température du compartiment réfrigérateur 8 indique **Cn**.
2. Appuyez sur la touche de réglage de la température du compartiment réfrigérateur 7 jusqu'à ce que l'affichage de température du compartiment réfrigérateur 8 indique **SA** et l'affichage de température du compartiment congélateur 4 indique **OF**.
3. Appuyez sur la touche de réglage de la température du compartiment congélateur 3.
L'appareil est prêt pour la connexion manuelle.
L'affichage de température du compartiment congélateur 4 montre une animation.
Pendant toute la durée de l'animation, l'appareil est prêt pour la connexion manuelle.
4. L'appareil frigorifique possède désormais son propre réseau WLAN portant le nom Home Connect.
Vous pouvez maintenant accéder à ce réseau avec le terminal mobile.
5. Sélectionnez les réglages WLAN dans le menu de réglage du terminal mobile.
6. Connectez le terminal mobile au réseau WLAN HomeConnect.
Mot de passe : HomeConnect
L'établissement de la connexion peut durer jusqu'à 60 secondes.
7. Une fois la connexion établie, l'appli Home Connect s'ouvre sur le terminal mobile.
L'appli recherche l'appareil frigorifique.
8. Dès que l'appareil frigorifique a été trouvé, saisissez le nom du réseau (SSID) et le mot de passe (Key) de votre propre réseau domestique (WLAN) dans les champs correspondants.
9. Confirmez avec le bouton **Transférer aux appareils domestiques**.
 - Une fois la connexion établie, **On** clignote sur l'affichage de température du compartiment congélateur 4.
Il est désormais possible de connecter l'appareil frigorifique à l'appli.
 - Si l'affichage de température du compartiment congélateur 4 indique **OF**, aucune connexion n'a pu être établie.
Vérifiez que l'appareil frigorifique se trouve dans la zone de portée du réseau domestique (WLAN).
Répétez l'opération.

Connectez l'appareil frigorifique à l'appli

- Appuyez sur la touche Home Connect 6.
L'affichage de température du compartiment réfrigérateur 8 indique **Cn**.
- Appuyez sur la touche de réglage de la température du compartiment réfrigérateur 7 jusqu'à ce que l'affichage de température du compartiment réfrigérateur 8 indique **PA** et que l'affichage de température du compartiment congélateur 4 indique **OF**.
- Appuyez sur la touche de réglage de la température du compartiment congélateur 3 pour connecter l'appareil à l'appli.
L'affichage de température du compartiment congélateur 4 montre une animation.
Dès que l'appareil frigorifique est connecté à l'appli, l'affichage de température du compartiment congélateur 4 indique **On**.
- Attendez que l'appareil frigorifique s'affiche dans l'appli Home Connect du terminal mobile. Ensuite, sélectionnez **+** (ajouter).
Si l'appareil frigorifique ne s'affiche pas automatiquement, sur l'appli Home Connect, sélectionnez tout d'abord **Rechercher des appareils domestiques** et ensuite **Connecter un appareil domestique**.
- Suivez les instructions de l'appli jusqu'à la fin de l'opération.
L'affichage de température du compartiment réfrigérateur 8 indique **PA** et l'affichage de température du compartiment congélateur 4 indique **On**.
L'appareil frigorifique est connecté à l'appli.
Si la connexion a échoué, vérifiez que le terminal mobile est connecté au réseau domestique (WLAN). Répétez ensuite la procédure de connexion.
Si l'affichage de température du compartiment congélateur 4 indique **Er**, réinitialisez les réglages Home Connect.

Remarque :

Lors de la réinitialisation, tous les réglages de Home Connect sont réinitialisés.

Contrôler l'intensité du signal

L'intensité du signal doit être contrôlée s'il n'est pas possible d'établir de connexion.

- Appuyez sur la touche Home Connect 6.
L'affichage de température du compartiment réfrigérateur 8 indique **Cn**.
- Appuyez sur la touche de réglage de la température du compartiment réfrigérateur 7 jusqu'à ce que l'affichage de température du compartiment réfrigérateur 8 indique **SI**. L'affichage de température du compartiment congélateur 4 indique une valeur comprise entre 0 (pas de réception) et 3 (pleine réception).
Le signal doit avoir une intensité minimale de 2. La connexion peut être coupée si l'intensité du signal est trop faible.
 - Rapprochez davantage le routeur et l'appareil frigorifique.
 - Assurez-vous que la connexion n'est pas perturbée par des murs qui font écran.
 - Ou installez un répéteur pour amplifier le signal.

Réinitialiser les réglages Home Connect

Si un problème se présente lors de la tentative d'établissement d'une connexion ou que l'appareil est inscrit dans un autre réseau domestique (WLAN), les réglages de Home Connect peuvent être réinitialisés :

- Appuyez sur la touche Home Connect 6.
L'affichage de température du compartiment réfrigérateur 8 indique **Cn**.
- Appuyez sur la touche de réglage de la température du compartiment réfrigérateur 7 jusqu'à ce que l'affichage de température du compartiment réfrigérateur 8 indique **rE** et que l'affichage de température du compartiment congélateur 4 indique **OF**.
- Appuyez sur la touche de réglage de la température du compartiment congélateur 3.
L'affichage de température du compartiment congélateur 4 montre une animation pendant 15 secondes.
Ensuite, l'affichage de température du compartiment congélateur 4 indique **OF**.
Les réglages de Home Connect sont réinitialisés.

Installer la mise à jour du logiciel Home Connect

L'appareil frigorifique vérifie régulièrement si des mises à jour du logiciel Home Connect sont disponibles.

Si une mise à jour est disponible, l'affichage de température du compartiment réfrigérateur 8 indique **UP**.

Appuyez sur n'importe quelle touche pour réinitialiser l'affichage sur la température réglée.

Installer une mise à jour :

1. Appuyez sur la touche Home Connect 6.
L'affichage de température du compartiment réfrigérateur 8 indique **Cn**.
2. Appuyez sur la touche de réglage de la température du compartiment réfrigérateur 7 jusqu'à ce que l'affichage de température du compartiment réfrigérateur 8 indique **UP** et que l'affichage de température du compartiment congélateur 4 indique **OF**.
3. Appuyez sur la touche de réglage de la température du compartiment congélateur 3.
L'affichage de température du compartiment congélateur 4 montre une animation.
La mise à jour est en cours d'installation.
Pendant l'installation, toutes les touches sont verrouillées.
 - Si l'installation s'est achevée correctement, l'affichage de température du compartiment congélateur 4 indique **On**.
 - Si l'installation ne s'est pas achevée correctement, l'affichage de température du compartiment congélateur 4 indique **Er**. Renouvelez la mise à jour ultérieurement. Si l'installation échoue, même après plusieurs tentatives, contactez le service à la clientèle.

Remarque liée à la protection des données

Lors de la première connexion de votre appareil frigorifique Home Connect à un réseau WLAN relié à Internet, votre appareil transmet les catégories suivantes de données au serveur Home Connect (premier enregistrement) :

- Code d'appareil univoque (constitué de clés d'appareil ainsi que de l'adresse MAC du module de communication Wi-Fi intégré).
- Certificat de sécurité du module de communication Wi-Fi (pour la protection technique des informations de la connexion).
- Version actuelle du logiciel et du matériel de votre appareil ménager.
- État d'une précédente restauration éventuelle des réglages d'usine.

Ce premier enregistrement prépare l'utilisation des fonctionnalités Home Connect et n'est nécessaire que lors de votre première utilisation d'Home Connect.

Remarque :

Veillez noter que les fonctionnalités Home Connect ne sont utilisables qu'en liaison avec l'appli Home Connect. Vous pouvez accéder aux informations sur la protection des données depuis l'appli Home Connect.

Contenance utile

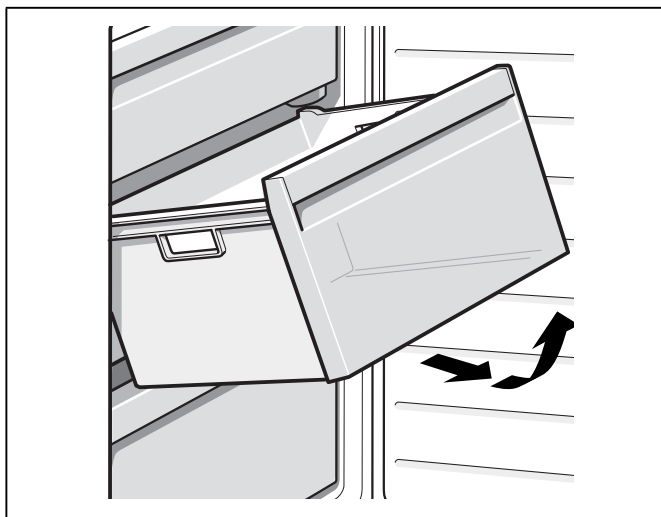
Vous trouverez des indications sur la contenance utile sur la plaque signalétique de votre appareil (voir la figure au chapitre Service à la clientèle) .

Utiliser l'intégralité du volume de congélation

Pour pouvoir ranger une quantité maximale de produits congelés, vous pouvez retirer toutes les pièces d'équipement. Vous pouvez ainsi empiler les aliments directement sur les clayettes et le plancher du compartiment congélateur.

Retirer les pièces d'équipement

Tirez le bac à produits congelés jusqu'à la butée, soulevez-le par l'avant puis retirez-le.



Le compartiment réfrigérateur

Le compartiment réfrigérateur est l'endroit idéal où ranger la viande, la charcuterie, le poisson, les produits laitiers, les œufs, les plats précuisinés et les pâtisseries.

Consignes de rangement

- Rangez des produits alimentaires frais et intacts. Ils conserveront ainsi plus longtemps leur qualité et leur fraîcheur.
- Respectez la date de conservation minimum ou la date de consommation indiquée par le fabricant pour les produits tout prêts et liquides conditionnés.
- Pour préserver l'arôme, la teinte et la fraîcheur, rangez les produits alimentaires bien emballés ou couverts. Ceci empêche que certains aliments ne communiquent leur goût à d'autres et que les pièces en plastique changent anormalement de couleur.
- Attendez que les boissons et aliments chauds aient refroidi à la température de la pièce avant de les ranger dans l'appareil.

Remarque :

Évitez que les produits alimentaires n'entrent en contact avec la paroi arrière. Cela risquerait de gêner la circulation de l'air.

Les produits alimentaires ou les emballages pourraient rester collés, par congélation, contre la paroi arrière.

Tenez compte des différentes zones froides dans le compartiment réfrigérateur

L'air circulant dans le compartiment réfrigérateur entraîne l'apparition de différentes zones de froid :

- La zone la plus froide se trouve entre la flèche imprimée sur le côté et sur la clayette qui se trouve en dessous.

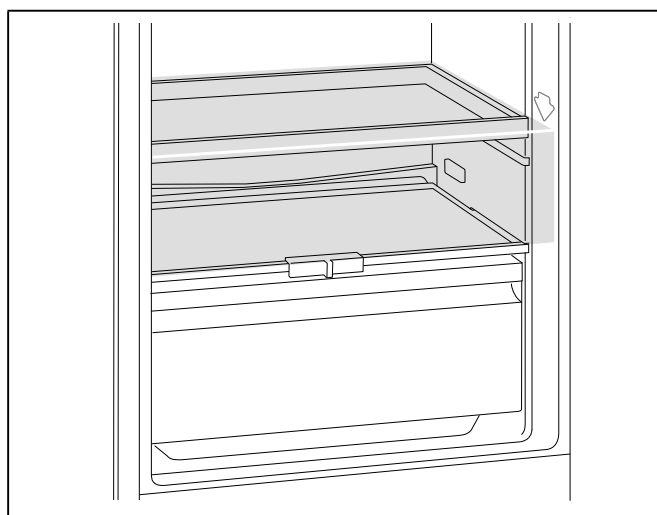
Remarque :

Rangez-y les aliments les plus délicats (par ex. le poisson, la charcuterie, la viande).

- La zone la moins froide se trouve tout en haut de la porte.

Remarque :

Rangez-y par ex. le fromage dur et le beurre. Le fromage peut ainsi continuer à développer son arôme, tandis que le beurre reste facile à tartiner.

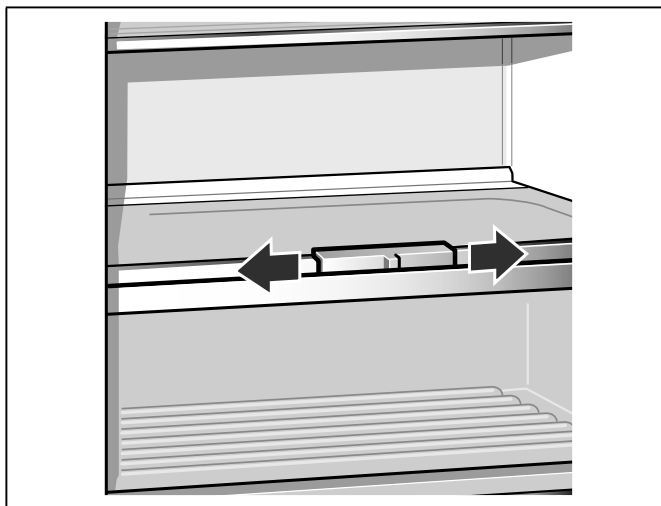


Bac à légumes avec régulateur d'humidité

Le bac à légumes est l'endroit optimal où ranger les fruits et légumes frais. Un régulateur d'humidité et un joint spécial permettent d'ajuster l'humidité de l'air dans le bac à légumes. Les fruits et légumes frais se conservent ainsi jusqu'à deux fois plus longtemps que dans un compartiment conventionnel.

Vous pouvez ajuster l'humidité de l'air régnant dans le bac à légumes en fonction de la nature et de la quantité des produits à ranger :

- Fruits principalement et appareil très rempli – humidité de l'air moins élevée
- Légumes principalement et appareil rempli de produits différents ou faiblement rempli – humidité de l'air plus élevée



Remarque :

Il est recommandé de ranger les fruits (par exemple les ananas, bananes, papayes, agrumes) et légumes (par exemple les aubergines, concombres, courgettes, poivrons, tomates et pommes de terre) qui sont sensibles au froid à l'extérieur du réfrigérateur, à des températures avoisinant +46 °F (+8 °C) à +54 °F (+12 °C) afin d'en préserver la qualité et l'arôme.

Remarque :

Selon la quantité et la nature des produits stockés, de l'eau pourrait se condenser dans le bac à légumes. Retirez l'eau condensée avec un essuie-tout sec et ajustez l'humidité de l'air dans le bac à légumes via le régulateur d'humidité.

Super-réfrigération

Pendant la super-réfrigération, la température dans le compartiment réfrigérateur descend le plus bas possible pendant environ 15 heures. Ensuite, l'appareil passe à la température réglée avant que vous n'activiez la super-réfrigération.

Activez la super-réfrigération par exemple :

- avant de ranger de grandes quantités d'aliments.
- afin de réfrigérer rapidement des boissons.

Remarque :

Si vous avez activé la super-réfrigération, l'appareil peut fonctionner plus bruyamment.

Activer et désactiver

Appuyez sur la touche super du compartiment réfrigérateur 9.

La touche s'allume si la super-réfrigération est activée.

Compartiment congélateur

Utiliser le compartiment congélateur

- pour ranger des produits surgelés.
- pour préparer des glaçons
- pour congeler des produits alimentaires

Remarque :

Veillez à ce que la porte du compartiment congélateur soit toujours fermée! Lorsque la porte est ouverte, les produits surgelés dégèlent et le congélateur se couvre de givre. Par ailleurs : il y a un gaspillage d'énergie en raison d'une augmentation de la consommation de courant!

Congeler et conserver

Achats de produits surgelés

- L'emballage ne doit pas être endommagé.
- Observez la durée de conservation.
- La température dans le congélateur coffre du supermarché doit être au maximum de 0 °F (-18 °C).
- Utilisez de préférence un sac isotherme pour le transport puis rangez les produits le plus rapidement possible dans le compartiment congélateur.

Consignes de rangement

- Rangez les quantités assez importantes de produits alimentaires dans le compartiment le plus haut. Ils y seront congelés à la fois très vite et en douceur.
- Répartissez les produits alimentaires sur une grande surface dans les compartiments et / ou dans les bacs à produits congelés.

Remarque :

Veillez à ce que les produits congelés n'entrent pas en contact avec des produits frais. Le cas échéant, placez les produits congelés dans d'autres bacs à produits congelés.

Ranger des produits surgelés

Insérez le bac à produits congelés jusqu'à la butée, afin d'assurer une circulation impeccable de l'air.

Congeler des produits frais

Pour congeler les aliments, n'utilisez que des aliments frais et d'un aspect impeccable.

Il faut blanchir les légumes avant de les congeler, pour préserver le mieux possible leur valeur nutritive, leur arôme et leur teinte. Il n'est pas nécessaire de blanchir les aubergines, poivrons, courgettes et asperges.

Vous trouverez en librairie toute une bibliographie sur la congélation et le blanchissement.

Remarque :

Veillez à ce que les produits alimentaires à congeler n'entrent pas en contact avec des produits déjà congelés.

- Se prêtent à la congélation :
Pâtisseries, poissons et fruits de mer, viande de boucherie et gibier, volaille, fruits, légumes, herbes culinaires, œufs sans la coque, produits laitiers comme le fromage, le beurre, plats pré-cuisinés et restes de plats tels que les soupes, ragoûts, la viande et le poisson cuits, les plats aux pommes de terre, les soufflés et mets sucrés.
- Ne se prêtent pas à la congélation :
Variétés de légumes habituellement dégustées crues telles que la salade ou les radis, œufs dans leur coque, raisins, pommes, poires et pêches entières, œufs cuits durs, yaourt, lait caillé, crème acidulée, crème fraîche et mayonnaise.

Emballez les surgelés

Fermez hermétiquement l'emballage afin que les produits alimentaires ne perdent pas leur goût ou ne sèchent pas.

1. Placez les aliments dans l'emballage.
2. Pressez pour chasser l'air.
3. Obturez l'emballage hermétiquement.
4. Indiquez sur l'emballage le contenu et la date de congélation.

Emballages adéquats :

Feuilles en plastique, feuilles en polyéthylène, feuilles d'aluminium, boîtes de congélation.

Vous trouverez ces produits dans le commerce spécialisé.

Emballages inadéquats :

Le papier d'emballage, le papier sulfurisé, les feuilles de cellophane, les sacs poubelles et les sacs en plastique ayant déjà servi.

Moyens d'obturation adéquats :

Clips en plastique et caoutchouc, ficelles, rubans adhésifs résistants au froid, ou assimilés.

Vous pouvez souder les sacs ou boudins en polyéthylène (PE) avec un appareil à cet effet.

Durée de conservation des produits surgelés

La durée de conservation dépend de la nature des produits alimentaires.

Si la température a été réglée sur 0 °F (-18 °C) :

- Poisson, charcuterie, plats pré-cuisinés, pâtisseries : jusqu'à 6 mois
- Fromage, volaille, viande : jusqu'à 8 mois
- Fruits et légumes : jusqu'à 12 mois

Super-congélation

Pour en conserver les vitamines, la valeur nutritive, l'aspect et la saveur, les aliments doivent être congelés le plus rapidement possible.

Pour empêcher une hausse indésirable de la température, allumez la super-congélation quelques heures avant de ranger des produits alimentaires frais. 4 à 6 heures suffisent généralement.

L'appareil fonctionne désormais en permanence. Le compartiment congélateur atteint une température très basse.

Vous pouvez congeler des quantités moins importantes d'aliments (jusqu'à 2 kg) dans le compartiment le plus haut sans la super-congélation.

Remarque :

Si vous avez activé la supercongélation, l'appareil peut fonctionner plus bruyamment.

Activer et désactiver

Appuyez sur la touche super du compartiment congélateur 2.

La touche s'allume si la super-congélation est activée.

La super-congélation se désactive automatiquement au bout de 2½ jours.

Décongélation des produits

Selon la nature et l'utilisation des produits surgelés, vous pouvez choisir entre plusieurs possibilités :

- à température ambiante
- dans le réfrigérateur
- dans un four électrique avec / sans ventilateur à air chaud
- dans un four à micro-ondes



ATTENTION :

Ne remettez pas à congeler des produits alimentaires partiellement ou entièrement décongelés. Vous ne pourrez les recongeler qu'après les avoir transformés en plats pré-cuisinés (par cuisson ou rôtissage).

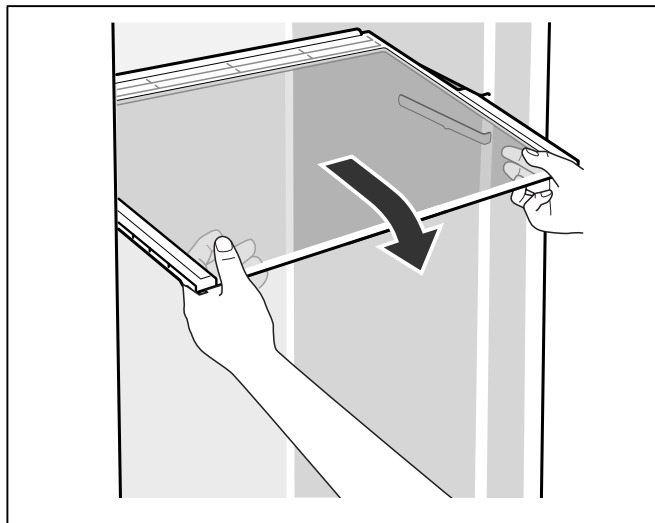
N'utilisez plus la durée de conservation dans son intégralité.

Équipement

(selon le modèle)

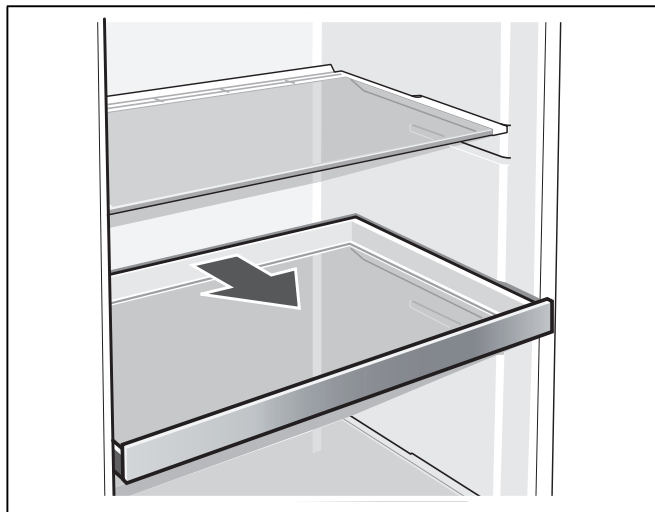
Clayettes en verre

Vous pouvez modifier à votre gré l'agencement des clayettes dans le compartiment : tirez une clayette envers l'avant, abaissez-la et faites-la basculer latéralement pour l'extraire.



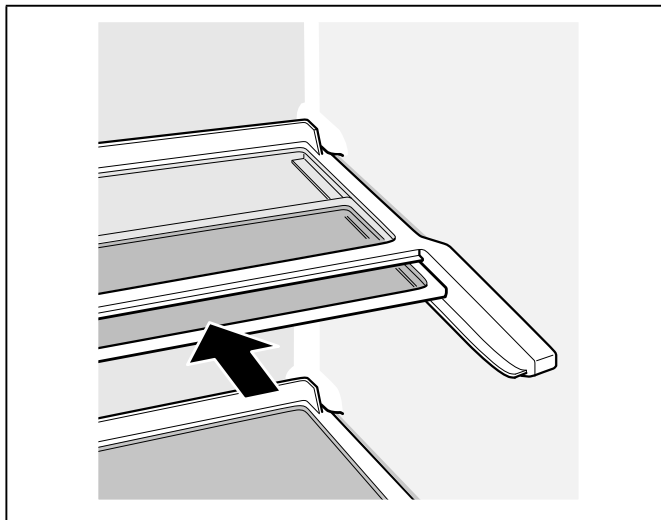
Clayette amovible en verre

Pour avoir une meilleure vue d'ensemble sur les produits alimentaires, vous pouvez retirer la clayette amovible en verre.



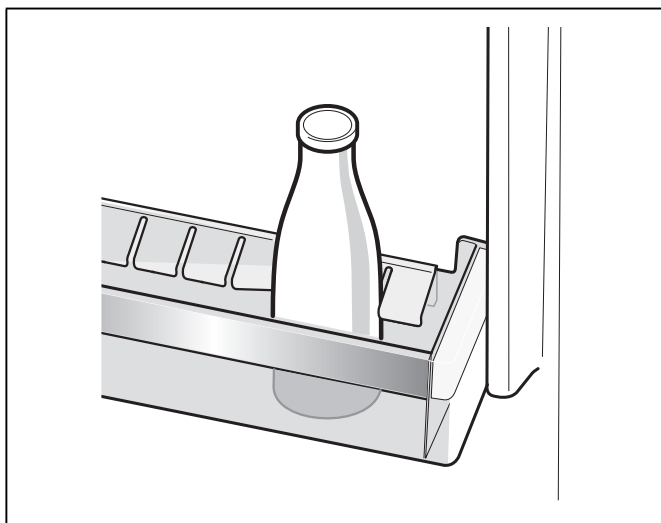
Clayette Vario

Pour ranger des produits surgelés en hauteur (par ex. des pots ou des bouteilles), retirez la partie frontale de la clayette Vario et poussez-la sous la pièce arrière.



Porte-bouteilles

Le porte-bouteilles empêchent les bouteilles de basculer lors de l'ouverture / la fermeture de la porte.



Calendrier de congélation

Voir le chapitre Présentation de l'appareil. Évitez de dépasser la durée de conservation maximale afin de préserver la qualité de vos aliments. Cette période dépend du type d'aliment. Les chiffres à côté des symboles indiquent en mois la durée de conservation maximale pour le produit concerné. Pour les produits surgelés vendus en épicerie, prenez toujours note de la date de fabrication / de péremption.

Bac à glaçons

Remplissez le bac à glaçons aux $\frac{3}{4}$ d'eau potable puis rangez-le dans le congélateur.

Si le bac reste collé dans le congélateur, ne le décollez qu'avec un instrument émoussé (un manche de cuiller par ex.).

Pour enlever les glaçons du bac, passez ce dernier brièvement sous l'eau du robinet ou déformez légèrement le bac.

Accumulateurs de froid

(si inclus, nombre de pièces variable)

Lors d'une coupure de courant ou d'une panne, les accumulateurs de froid retardent le réchauffement des produits surgelés rangés dans l'appareil. Pour parvenir à la durée maximale de stockage, placez l'accumulateur de froid sur les produits alimentaires situés dans le compartiment le plus haut.

Vous pouvez également vous servir des accumulateurs de froid pour emporter des aliments par ex. dans un sac isotherme et les conserver ainsi au frais pendant un certain temps.

Arrêter et remiser l'appareil

Éteindre l'appareil

Appuyez sur la touche Marche / Arrêt 1. L'affichage de température s'éteint. Le groupe frigorifique s'éteint.

Remisage de l'appareil

Si l'appareil doit rester longtemps sans servir :

1. Mettez l'appareil hors tension.
2. Débranchez la fiche de contact de la prise de courant ou ramenez le disjoncteur en position éteinte.
3. Nettoyez l'appareil.
4. Laissez la porte de l'appareil ouverte.

Dégivrer l'appareil

Compartiment réfrigérateur

Pendant que l'appareil fonctionne, des gouttes d'eau de condensation ou du givre se forment contre la paroi arrière du compartiment réfrigérateur. Étant donné que la paroi arrière se dégivre automatiquement, il n'est pas nécessaire d'éliminer le givre ou les gouttes d'eau de condensation. L'eau de condensation passe par la rigole à eau de condensation puis traverse le trou d'écoulement pour gagner le bac d'évaporation où elle s'évapore.

Remarque :

Maintenez les rigoles à eau de condensation et le trou d'écoulement propres afin que cette eau puisse s'écouler.

**Compartment congélateur**

Grâce au système antigivre NoFrost entièrement automatique, le congélateur ne se couvre pas de givre. Il n'est plus nécessaire de dégivrer.

Nettoyer l'appareil**⚠ ATTENTION :**

- N'utilisez aucun produit de nettoyage ni aucun solvant contenant du sable, du chlorure ou de l'acide.
- N'utilisez jamais d'éponges abrasives ou susceptibles de rayer. Des zones corrodées pourraient apparaître sur les surfaces métalliques.
- Ne nettoyez jamais les clayettes et les bacs au lave-vaisselle. Ces pièces pourraient se déformer!

Procédez comme suit :

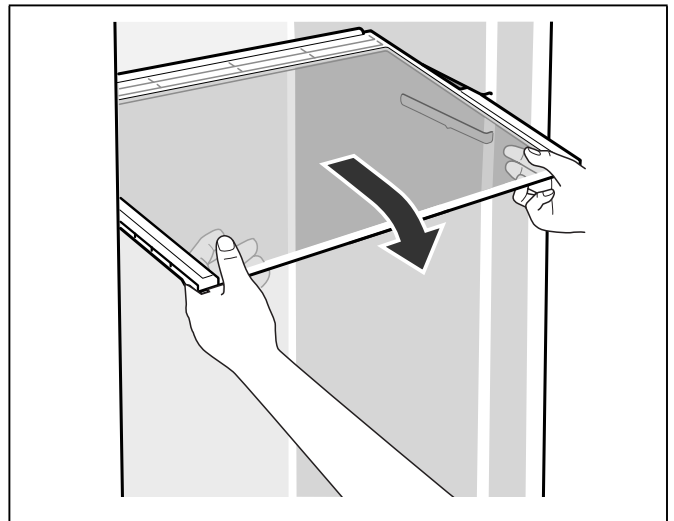
1. Éteignez l'appareil avant de le nettoyer.
2. Débranchez la fiche de contact de la prise de courant ou ramenez le disjoncteur en position éteinte.
3. Sortez les aliments et rangez-les au frais. Posez un accumulateur de froid (si disponible) sur les aliments.
4. Attendez que la couche de givre ait fondu.
5. Ne nettoyez l'appareil qu'avec un chiffon doux, de l'eau tiède et du produit à vaisselle avec un pH neutre. Veillez à ce que l'eau de rinçage ne pénètre pas dans le système d'éclairage et qu'elle ne gagne pas la zone d'évaporation via l'orifice d'écoulement.
6. N'essuyez le joint de porte qu'avec un chiffon et de l'eau propre ; ensuite, séchez-le minutieusement.
7. Après le nettoyage : rebranchez la fiche de courant de l'appareil puis rallumez ce dernier.
8. Remplissez de nouveau l'appareil avec les aliments.

Équipement

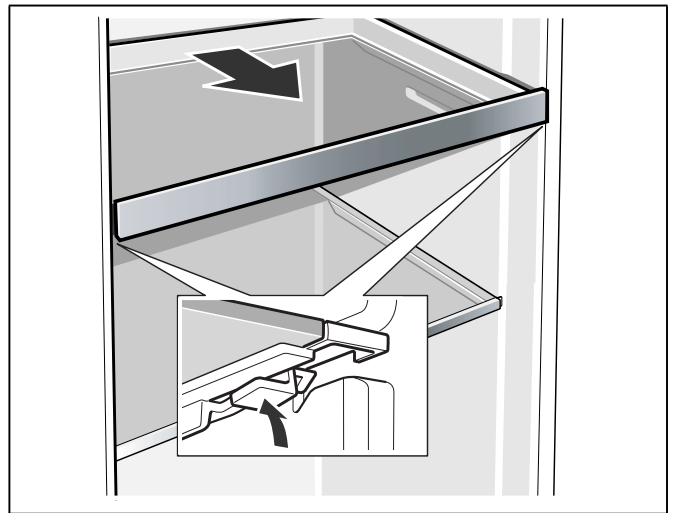
Pour nettoyer, il est possible de retirer toutes les pièces variables de l'appareil.

Retirer les clayettes en verre

Pour ce faire, tirez la clayette, soulevez-la par l'avant et retirez-la.

**Retirer la clayette amovible en verre**

Appuyez sur les leviers des deux côtés par-dessous, tirez la clayette en verre vers l'avant, soulevez-la, puis faites-la pivoter latéralement pour l'extraire.

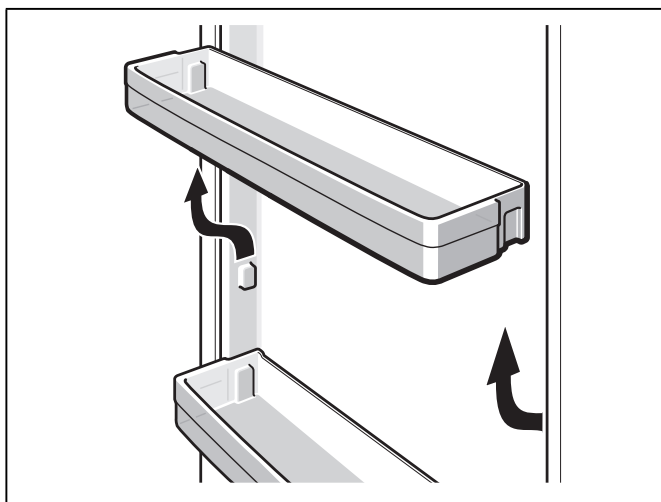


Rigole d'écoulement de l'eau de dégivrage

Avec un bâtonnet de ouate ou un objet similaire, nettoyez régulièrement la rigole et le trou d'écoulement afin que l'eau de dégivrage puisse s'écouler.

**Sortir les clayettes en contre-porte**

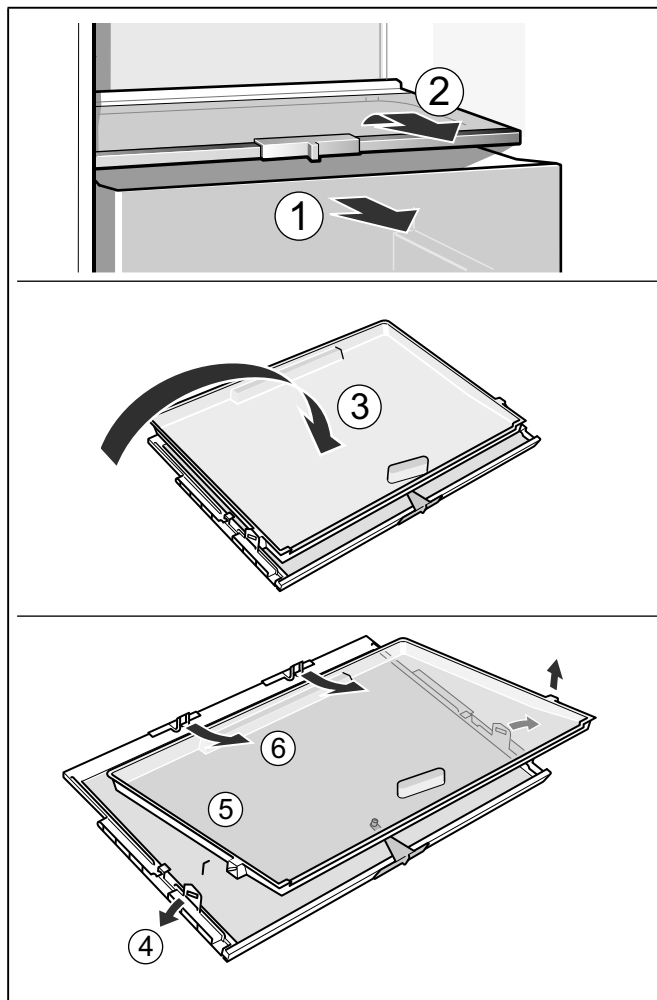
Soulevez les clayettes et retirez-les.

**Retirez la clayette en verre au-dessus du bac à légumes**

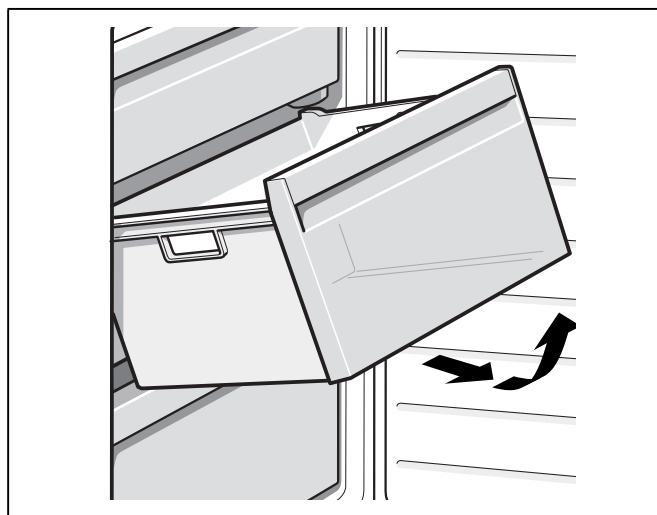
Vous pouvez retirer et démonter la clayette en verre pour la nettoyer.

Remarque :

Avant de retirer la clayette en verre, sortez d'abord le bac à légumes.

**Retirer les bacs**

Tirez le bac vers vous jusqu'à la butée, soulevez-le par l'avant puis retirez-le.



Odeurs

Si des odeurs désagréables se manifestent :

1. Éteignez l'appareil avec la touche Marche / Arrêt ①.
2. Sortez tous les produits alimentaires de l'appareil.
3. Nettoyez l'intérieur de l'appareil (voir le chapitre Nettoyage).
4. Nettoyez tous les emballages.
5. Pour empêcher l'apparition d'odeurs, emballez hermétiquement les produits dont émane une odeur forte.
6. Remettez l'appareil en marche.
7. Remplissez l'appareil de nouveau.
8. Au bout de 24 heures, vérifiez si des odeurs sont apparues à nouveau.

Éclairage (LED)

Votre appareil est équipé d'un éclairage par LED ne demandant pas d'entretien.

Les réparations sur cet éclairage doivent être entreprises par le service à la clientèle ou par un personnel spécialisé dûment autorisé.

Économiser de l'énergie

- Installer l'appareil dans un endroit sec et aéré.
L'appareil ne doit être exposé à la lumière du soleil ou installé à proximité d'une source de chaleur (par ex. radiateur, cuisinière).
Au besoin, utilisez une plaque isolante.
- Optez pour une profondeur de niche de 560 mm.
Une niche moins profonde accroît la consommation d'énergie.
- Attendez que les boissons et aliments chauds aient refroidi à la température de la pièce avant de les ranger dans l'appareil.
- Faites décongeler les surgelés dans le compartiment réfrigérateur et utilisez la température des surgelés pour refroidir les aliments.
- N'ouvrez la porte de l'appareil que le plus brièvement possible.
- Assurez-vous que le compartiment congélateur reste toujours fermé.
- Pour éviter une consommation accrue de courant, nettoyez occasionnellement le dos de l'appareil.
- La disposition des pièces d'équipement n'a pas d'influence sur la consommation d'énergie de l'appareil.

Bruits de fonctionnement

Bruits parfaitement normaux

Bourdonnement

Les moteurs tournent (par ex. groupes frigorifiques, ventilateur).

Bruits de gargouillement ou de bourdonnement

Du fluide frigorigène circule dans les tuyaux.

Cliquetis

Cliquetis : le moteur, les interrupteurs ou les électrovannes s'allument / s'éteignent.

Craquements

Le dégivrage automatique est en cours.

Éviter les bruits

L'appareil ne repose pas d'aplomb

À l'aide d'un niveau à bulle, veuillez ajuster la cavité d'encastrement. Servez-vous pour ce faire des pieds à vis de la cavité ou insérez quelque chose dessous.

Des bacs ou plaques vacillent ou se coincent

Inspectez les pièces amovibles et remplacez-les au besoin.

Les récipients se touchent

Espacez légèrement les récipients les uns des autres.

Remédier soi-même aux petites pannes

Avant d'appeler le service à la clientèle :

Vérifiez si, à l'aide des conseils ci dessous, vous ne pouvez pas remédier vous-même au défaut.

Vous devez payer les frais de consultation du service à la clientèle même – durant la période de garantie!

Défaut	Cause possible	Solution
La température dévie fortement par rapport au réglage.		Dans certains cas, il suffit d'éteindre l'appareil pendant 5 minutes. Si la température est trop élevée, vérifiez après quelques heures s'il y a eu un rapprochement de la température. Si la température est trop basse, vérifiez à nouveau la température le lendemain.
Aucun voyant ne s'allume.	Coupure de courant ; le disjoncteur a sauté; fiche de contact pas complètement branchée dans la prise de courant.	Raccordez la fiche de contact. Vérifiez s'il y a du courant, vérifiez le disjoncteur.
L'affichage de température indique « E.. ».	L'électronique a détecté une erreur.	Contactez le service à la clientèle.
L'alarme sonore retentit, la touche alarm 5 est allumée.		Pour éteindre l'alarme sonore, appuyez sur la touche alarm 5.
La température est trop élevée dans le congélateur! Danger pour les produits surgelés!	L'appareil est ouvert. Orifices d'entrée et de sortie d'air recouverts. Congélation d'une plus grande quantité d'aliments frais.	Fermez l'appareil. Veillez à ce que l'air puisse entrer et sortir librement. Mettez moins d'aliments frais à congeler.
L'affichage de température du compartiment congélateur 4 clignote.		Pour éteindre l'alarme sonore, appuyez sur la touche alarm 5.
L'alarme sonore retentit.	L'appareil est ouvert.	Fermez l'appareil.
La touche alarm 5 s'allume.	Orifices d'entrée et de sortie d'air recouverts.	Veillez à ce que l'air puisse entrer et sortir librement.
La température est trop élevée dans le compartiment congélateur! Danger pour les produits surgelés!	Congélation d'une plus grande quantité d'aliments frais.	Mettez moins d'aliments frais à congeler. Une fois le problème réglé, l'affichage de l'alarme s'éteint au bout d'un certain temps.
L'affichage de température du congélateur 4 clignote.	Une erreur précédente a fait monter la température dans le congélateur.	Après avoir appuyé sur la touche alarm 5, l'affichage de température 4 cesse de clignoter. L'affichage de température indique pendant cinq secondes la température la plus élevée atteinte par le congélateur.
L'appareil ne se refroidit pas, l'affichage de température et l'éclairage intérieur fonctionnent.	L'appareil est en mode exposition.	Lancez l'autodiagnostic de l'appareil (voir le chapitre Autodiagnostic de l'appareil). Une fois le programme terminé, l'appareil retournera en mode d'opération normal.

Autodiagnostic de l'appareil

Votre appareil est équipé d'un programme automatique d'autodiagnostic qui affiche les sources de défauts que seul le service après-vente est en mesure de supprimer.

Lancer l'autodiagnostic de l'appareil

1. Éteignez l'appareil et attendez 5 minutes.
2. Allumez l'appareil puis, pendant les 10 secondes qui suivent, maintenez la touche Super 2 enfoncée pendant 3 à 5 secondes, jusqu'à ce qu'un signal sonore retentisse.

L'autodiagnostic commence.

Pendant l'autodiagnostic, un long signal sonore retentit.

Si 2 signaux sonores retentissent à la fin du diagnostic et si la température réglée s'affiche, l'appareil fonctionne parfaitement.

Si 5 signaux sonores retentissent à la fin de l'autodiagnostic et si la touche Super du compartiment congélateur clignote pendant 10 secondes, un défaut a été trouvé. Veuillez contacter le service à la clientèle.

Terminer l'autodiagnostic de l'appareil

Une fois le programme terminé, l'appareil retourne en mode d'opération normal.

Service à la clientèle

Si nécessaire, nous recommandons de confier l'inversion du sens d'ouverture de porte à notre service à la clientèle. Pour connaître le prix d'une inversion du sens d'ouverture de porte, consultez votre service à la clientèle compétent.

Avant d'appeler le service à la clientèle, veuillez vous référer au chapitre Remédier soi-même aux petites pannes.

Après vérification conformément au chapitre Remédier soi-même aux petites pannes, il est possible d'appeler (gratuitement) le Bosch Customer Support Center au 1-800-944-2904 depuis tout le territoire des É-U.

Au Canada, veuillez vous adresser à votre SAC Bosch ou composer le numéro 1-800-944-2904.

Si vous avez besoin que le SAC vous aide, veuillez avant de l'appeler noter les informations suivantes relatives à votre appareil afin de les avoir à portée de main et que le SAC vous aide de manière plus ciblée.

Nom du revendeur :

Adresse :

N° de téléphone :

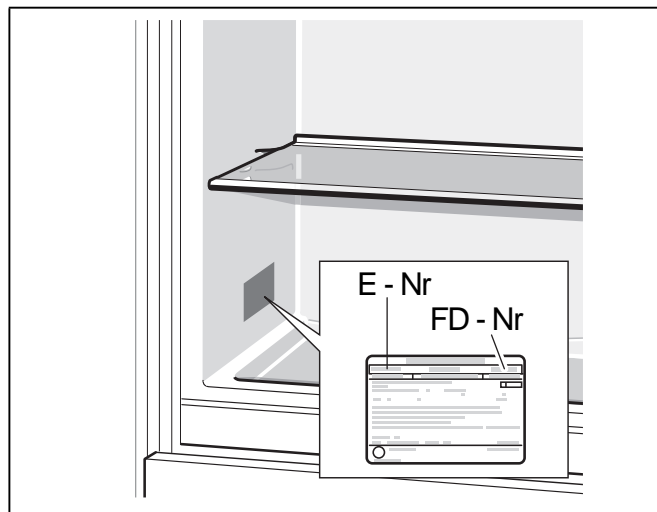
Date d'achat :

Numéro du modèle :

Numéro de fabrication (FD) :

Numéro de série

Type



es Índice

Indicaciones de seguridad importante	48	Compartimento refrigerador.....	59
Definición	48	Puntos a observar al guardar los alimentos	59
Antes de poner el aparato en°funcionamiento	48	Prestar atención a las diferentes zonas de frío	
Seguridad técnica	48	del compartimento refrigerador	59
Durante el uso.....	49	Contenedor para verduras con regulador de	
Niños en el°hogar.....	49	humedad	60
Información general.....	49	Super frío.....	60
Advertencias en virtud de la Proposición 65		Encender y apagar	60
del estado de California.....	49	Compartimento de congelación	60
Indicaciones para la eliminación.....	50	Usos del compartimento de congelación.....	60
♻️ Eliminación del embalaje	50	Congelación y almacenamiento	61
♻️ Eliminación de los aparatos usados.....	50	Al comprar alimentos congelados	61
Material entregado.....	50	Prestar atención al colocar los alimentos.....	61
Instalar el aparato	50	Almacenar los productos congelados.....	61
Transporte.....	50	Congelar alimentos frescos.....	61
Lugar de instalación	50	Embarcar los productos congelados.....	61
Ventilación	50	Plazo de conservación de los productos	
Profundidad del nicho de instalación.....	50	congelados	61
Colocación side by side	50	Super congelación	62
Cotas de instalación.....	51	Encender y apagar	62
Preparar las puertas del mueble	51	Descongelar los productos congelados.....	62
Medidas de las puertas del mueble	52	Equipamiento	62
Conectar el aparato.....	52	Estantes de vidrio	62
Conexión a la red eléctrica	52	Estante de vidrio extraíble.....	62
Familiarizándose con el aparato.....	53	Estante Vario.....	63
Mandos.....	54	Contenedor de botellas.....	63
Encender el aparato.....	54	Calendario de congelación.....	63
Indicaciones sobre el funcionamiento del		Bandeja de hielo.....	63
aparato	54	Acumulador de frío.....	63
Ajustar la temperatura.....	55	Apagar y°cerrar el aparato.....	63
Compartimento refrigerador.....	55	Apagar el aparato.....	63
Compartimento de congelación	55	Cerrar el aparato.....	63
Modo de vacaciones.....	55	Descongelación	64
Encender y apagar.....	55	Compartimento refrigerador	64
Funciones de alarma.....	55	Compartimento de congelación	64
Alarma de la puerta	55	Limpieza del aparato	64
Alarma de temperatura	55	Equipamiento.....	64
Apagar la alarma	55	Olores	66
Home Connect	56	Iluminación (LED)	66
Configurar Home Connect.....	56	Ahorro de energía	66
Instalar la actualización del software de Home		Ruidos de funcionamiento del aparato	66
Connect.....	58	Ruidos completamente normales.....	66
Indicaciones sobre protección de datos	58	Evitar ruidos.....	66
Declaración de conformidad.....	59	Arreglar pequeñas averías por sí mismo	67
Capacidad útil.....	59	Autocomprobación del aparato	68
Aprovechar toda la capacidad de congelación		Iniciar la autocomprobación del aparato	68
del aparato.....	59	Concluir la autocomprobación del aparato	68
		Servicio al cliente.....	68



Indicaciones de seguridad importante

¡LEER Y CONSERVAR ESTAS INDICACIONES!

Definición



AVISO:

Esto indica que la muerte o lesiones graves pueden ocurrir como resultado del incumplimiento de esta advertencia.



ATENCIÓN:

Esto indica que lesiones leves o moderadas pueden ocurrir como resultado del incumplimiento de esta advertencia.

Antes de poner el aparato en ° funcionamiento

¡Lea detenidamente las instrucciones de uso y de montaje! Contienen ° información importante sobre la instalación, el uso y el mantenimiento ° del aparato.

El fabricante no se hace responsable si las instrucciones de uso y advertencias no se observan correctamente. Guarde toda la información para consultas posteriores o para el próximo propietario.

Seguridad técnica

En caso de daños:

- Mantener el fuego abierto o las fuentes de ignición alejados del aparato,
- Ventilar el recinto durante varios minutos,
- Apagar el aparato y desconectar el enchufe,
- Notificar al Servicio al cliente.

Cuanto mayor sea la cantidad de refrigerante contenida en el aparato, mayor deberá ser el área donde se lo ubique. En los espacios demasiado pequeños, puede generarse una mezcla inflamable de aire y gas en caso de una fuga.

Por cada 8 g de refrigerante, la dimensión de la habitación debe tener por lo menos 36 pies³ (1 m³). La cantidad de refrigerante en su aparato se indica en la placa de características, que se encuentra en el interior del mismo.

Se utiliza un refrigerante inflamable. Peligro de incendios o explosiones.

Este aparato debe ser reparado exclusivamente por personal especializado autorizado. Tener en cuenta todas las indicaciones de seguridad y advertencia. No abrir los tubos del refrigerante por la fuerza. Seguir cuidadosamente las indicaciones de operación. Elimine el aparato según los reglamentos correspondientes y de acuerdo con las leyes locales o regulaciones federales vigentes.

Si el cable de alimentación de este aparato está dañado, solamente el fabricante, el proveedor de servicio autorizado o personas con una calificación profesional similar, podrán sustituirlo. Una incorrecta instalación o reparación puede implicar serios peligros para el usuario.

Las reparaciones sólo podrán ser ejecutadas por el fabricante, el proveedor de servicio autorizado o personas con una calificación profesional similar. Sólo podrán utilizarse piezas originales del fabricante. Sólo con las piezas originales puede garantizar el fabricante que se cumplen los requisitos de seguridad. El aparato viene con un cable de alimentación de 3 hilos según la certificación UL (Underwriters Laboratories, dispositivos de conexión certificados según la norma norteamericana y canadiense).

Bajo ninguna circunstancia se debe cortar o quitar el tercero (es decir, la tierra) del cable de conexión.

El aparato requiere de una tomacorriente de 3 polos. La tomacorriente solo debe ser conectada por un electricista calificado.

Si se dispone de una tomacorriente de pared estándar de 2 polos, es responsabilidad personal del cliente reemplazarla por una tomacorriente de pared de 3 polos con tomacorriente de acuerdo a las indicaciones. No utilizar adaptadores para la clavija.



Indicaciones de seguridad importante

¡LEER Y CONSERVAR ESTAS INDICACIONES!

Durante el uso

- Nunca use aparatos eléctricos en el interior del aparato (por ejemplo calentadores, máquinas de hielo eléctricas, etc.). ¡Peligro de explosión!
- ¡Nunca utilice ningún tipo de limpiador de vapor para derretir la escarcha o limpiar el aparato! El vapor puede llegar a las piezas eléctricas y provocar un cortocircuito. ¡Peligro de descargas eléctricas!
- No utilizar objetos puntiagudos o afilados para quitar las capas de escarcha o hielo. Podrían dañar la tubería del refrigerante. El refrigerante que salpique puede inflamarse o causar lesiones en los ojos.
- No guardar productos con gases propelentes inflamables (por ejemplo, envases en aerosol) ni sustancias explosivas. ¡Peligro de explosión!
- No usar zócalos, piezas extensibles, puertas, etc. para pararse encima o como apoyo.
- Para limpiar desconectar el enchufe o apagar el fusible. Tirar del enchufe, no del cable de conexión.
- Almacenar el alcohol de alta graduación solamente en recipientes herméticos y en posición vertical.
- No ensuciar las partes de plástico y las juntas de las puertas con aceite o grasa. En caso contrario, las piezas de plástico y las juntas de la puerta se vuelven porosas.
- Nunca cubra u obstruya las rejillas de ventilación del aparato.
- **Evitar riesgos para los niños y las personas con discapacidad:**
El aparato no debe ser utilizado por los niños cuando no estén supervisados por un adulto, o por personas discapacitadas sin ayuda.
Nunca dejar que los niños jueguen con el aparato.
- En el compartimento de congelación nunca almacene líquidos en botellas o latas (especialmente las bebidas carbonatadas). ¡Las botellas y las latas pueden estallar!
- Nunca introduzca productos congelados a su boca, inmediatamente después de sacarlos del compartimento de congelación.
¡Peligro de quemaduras por congelación!
- Evite el contacto prolongado de las manos con los productos congelados, el hielo o los tubos del evaporador, etc.
¡Peligro de quemaduras por congelación!

Niños en el hogar

- No dejar el embalaje o sus partes a los niños.
¡Existe peligro de asfixia a causa de los cartones y las láminas de plástico!
- ¡El aparato no es un juguete para niños!
- En aparatos con cierre de puerta:
¡Guarde la llave fuera del alcance de los niños!

Información general

El aparato es adecuado

- Para la refrigeración y la congelación de alimentos,
- Para la fabricación de hielo,

Este aparato ha sido diseñado para el uso doméstico en el hogar particular y su entorno.

Este aparato está previsto para ser utilizado a una altura máxima de 2,000 metros sobre el nivel del mar.

Advertencias en virtud de la Proposición 65 del estado de California

Este producto puede exponerlo a sustancias químicas, incluyendo cloruro de vinilo, que el estado de California sabe que provocan cáncer, defectos congénitos u otro daño reproductivo. Para obtener más información, ir a la página web:

www.P65Warnings.ca.gov

Indicaciones para la eliminación

° Eliminación del embalaje

El embalaje protege el aparato de daños durante el transporte. Todos los materiales utilizados son reciclables y no dañan el medio ambiente. Contribuya con métodos de eliminación del embalaje respetuosos con el medio ambiente.

Su distribuidor especializado o las autoridades locales le informarán sobre las opciones existentes para la eliminación.

° Eliminación de los aparatos usados

¡Los aparatos usados no son basura sin valor! Mediante la eliminación consciente del medio ambiente, se pueden recuperar materiales valiosos de nuevo.

⚠ AVISO:

En aparatos usados

1. Desconecte el enchufe.
2. Corte el cable de conexión y separe el enchufe.
3. ¡No retire los estantes y contenedores para dificultar que los niños se suban dentro del aparato!
4. Para evitar que los niños se encierren en el aparato usado:

¡Quite las puertas del aparato!

5. No permita que los niños jueguen con el aparato usado. ¡Peligro de asfixia!

Los refrigeradores contienen refrigerantes y gases en el aislante. Los refrigerantes y los gases deben ser eliminados de acuerdo a la legislación. No dañe las tuberías del refrigerante antes de su eliminación de acuerdo a la legislación.

Material entregado

Compruebe que las piezas no presentan daños ni desperfectos debidos al transporte después de desembalarlas.

⚠ ATENCION:

No instale el aparato en caso de estar defectuoso.

En caso de tener problemas, recurra al distribuidor donde adquirió el aparato o a nuestro Servicio al cliente.

La entrega consiste de las siguientes partes:

- Aparato para instalación integrada
- Equipamiento (según modelo)
- Bolsa con material de montaje
- Instrucciones de uso
- Instrucciones de montaje
- Cuaderno de Servicio al cliente
- Suplemento de la garantía
- Informaciones sobre el consumo de energía y los ruidos del aparato

Instalar el aparato

Un especialista deberá instalar el aparato de acuerdo con las instrucciones de montaje adjuntas.

⚠ AVISO:

No instale este aparato:

- Al aire libre,
- En un entorno con agua que gotea,
- En espacios con riesgos de heladas.

Transporte

El aparato es pesado. ¡Asegurar durante el transporte e instalación!

⚠ AVISO:

Para disminuir el riesgo de lesiones o daños al aparato, debido al peso y las dimensiones del aparato, se necesitan por lo menos dos personas para la instalación segura del aparato.

Lugar de instalación

El lugar más adecuado para la instalación del aparato es una habitación seca, dotada de una buena ventilación. El lugar de instalación no debe recibir directamente los rayos del sol, ni tampoco encontrarse próximo a fuentes de calor como estufas, radiadores, etc. Si la instalación cerca de una fuente de calor fuera inevitable, utilice un panel aislante adecuado, u observe las siguientes distancias mínimas de separación con respecto a la fuente de calor:

- Estufas eléctricas y de gas 1'¼" (3 cm).
- Estufas de aceite o de carbón 1'13/16" (30 cm).

El suelo en el lugar de instalación debe ser suficientemente resistente, en caso necesario, deberá reforzarse.

Ventilación

El aire se calienta en el panel posterior del aparato. El aire recalentado debe poder salir libremente. De lo contrario, la máquina refrigeradora tendrá que aumentar su rendimiento. Esto incrementa el consumo de energía eléctrica. Por esta razón: ¡nunca se deben cubrir u obstruir las aberturas de ventilación y aireación!

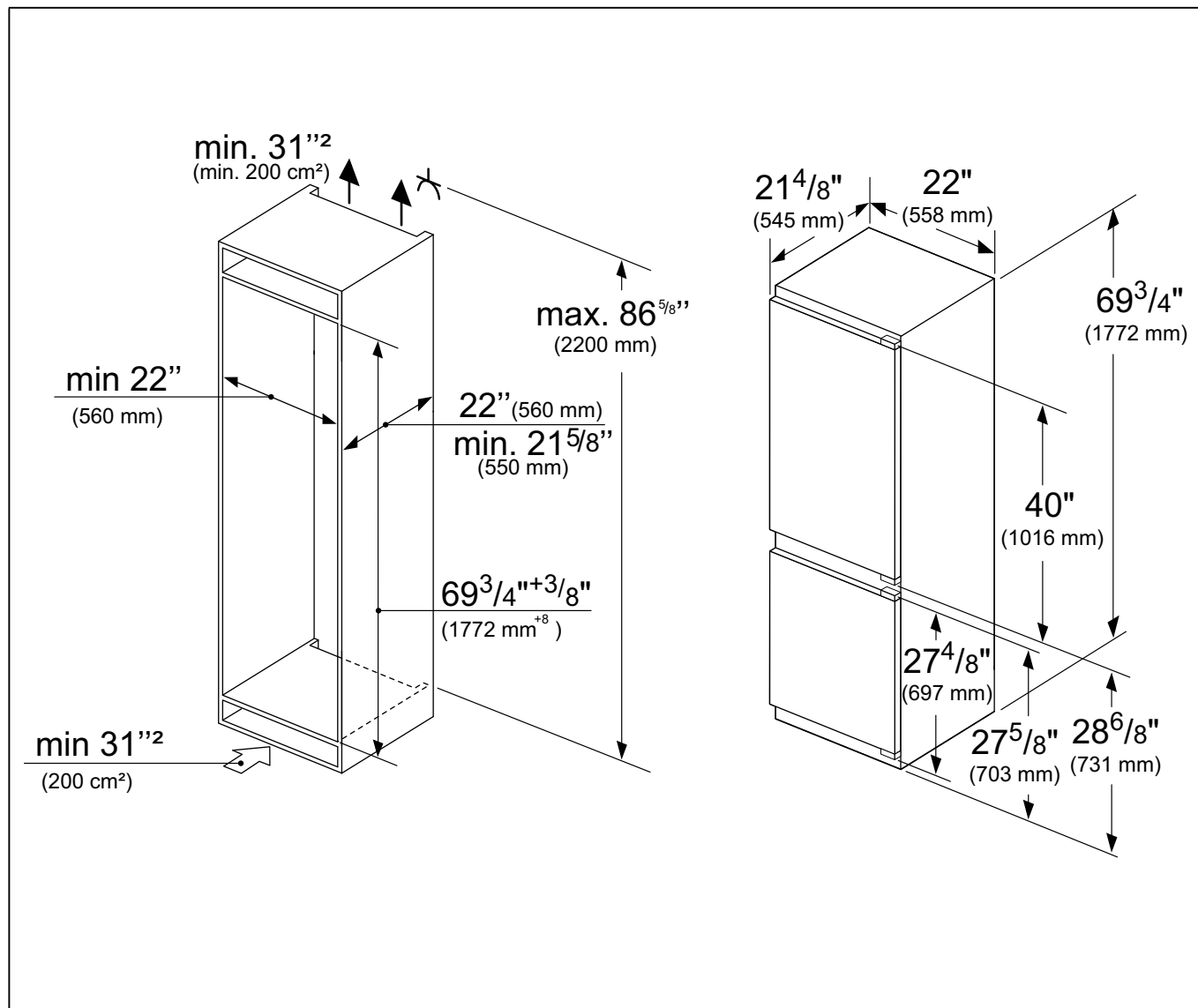
Profundidad del nicho de instalación

Se recomienda un nicho de instalación de 22^{3/64}" (560 mm) de profundidad para el aparato. En un nicho de instalación con una profundidad menor – como mínimo 21^{21/32}" (550 mm) – el consumo de energía aumentará ligeramente.

Colocación side by side

Solo es posible colocar los aparatos uno al lado del otro manteniendo una distancia de al menos 5,9" (15 cm) entre ellos.

Cotas de instalación



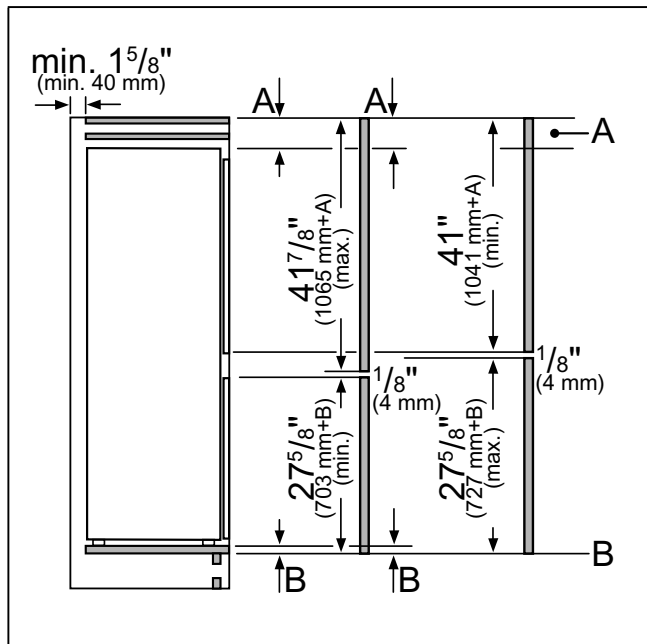
Preparar las puertas del mueble

Nota:

Al trabajar en las puertas del mueble, siempre se debe tener en cuenta lo siguiente:

- Elegir el espesor de la puerta del mueble entre al menos $5/8''$ (16 mm) y $3/4''$ (19 mm).
- Longitud de los tornillos: elegirlos siempre más cortos que el espesor de la puerta del mueble.
- Atornillar siempre en la parte de la puerta del mueble capaz de soportar más carga.
- No atornillar en rellenos o similares.
- No atornillar en el filtro tiras decorativas o similares.
- Proteger contra daños las superficies de las puertas del mueble durante la instalación.

Medidas de las puertas del mueble



Leyenda

- A Sobrante superior de la puerta del mueble
- B Borde inferior de la puerta del mueble

Las dimensiones de la puerta de la unidad especificadas son válidas para una junta de la puerta de $\frac{5}{32}$ " (4 mm).

Conectar el aparato

Después de instalar el aparato, espere por lo menos 8 horas antes de ponerlo en funcionamiento. Durante el transporte del aparato puede ocurrir que el aceite contenido en el compresor penetre en el sistema de refrigeración.

Limpiar el interior del aparato antes de su primera puesta en marcha (ver el capítulo «Limpieza del aparato»).

Conexión a la red eléctrica

⚠ AVISO:

Peligro de descarga eléctrica!

Conecte el aparato sólo a una toma de corriente tripolar con toma de tierra. No quitar nunca la fase de toma de tierra. No utilizar adaptadores. No utilizar cables de prolongación.

⚠ AVISO:

Peligro de descarga eléctrica!

La conexión incorrecta del aparato puede ser causa de muerte, incendios o descargas eléctricas. En caso de una conexión incorrecta del conductor de protección pueden producirse descargas eléctricas. Si tiene dudas respecto a que la conexión a tierra del aparato sea la correcta, deje que un electricista calificado o un técnico de servicio revise el aparato.

⚠ AVISO:

Peligro de descarga eléctrica!

Si la longitud del cable de conexión a la red eléctrica no es suficiente, no utilice nunca tomas de corriente múltiples o cables de prolongación. En su lugar, póngase en contacto con el servicio al cliente para examinar alternativas.

Para conectar este aparato se requiere de una toma de corriente instalada de forma permanente.

La toma de corriente deberá encontrarse cerca del aparato y también estar fácilmente accesible después de la instalación del mismo.

El aparato corresponde al tipo de protección I. Conecte el aparato a una toma de corriente instalada conforme a las prescripciones. Conforme a las prescripciones significa: con un conductor de protección, 110 V – 120 V/60 Hz de corriente alterna. La toma de corriente debe estar protegida con un fusible de 10 – 16 A.

El aparato se entrega con un cable de conexión a la red eléctrica de 3 hilos según la certificación UL. El aparato requiere de una toma de corriente de 3 polos.

En este contexto, por favor tenga en cuenta la siguiente tabla:

Aparato	Carga simultánea máxima
Combinación de frigorífico y congelador	6 A

Compruebe en la placa de características, si coinciden la tensión indicada y el tipo de corriente con los valores de su red eléctrica. La posición de la placa de características la encuentra en el capítulo Servicio al cliente.

⚠ AVISO:

El aparato no puede estar conectado en ningún caso a ahorradores de energía electrónicos.

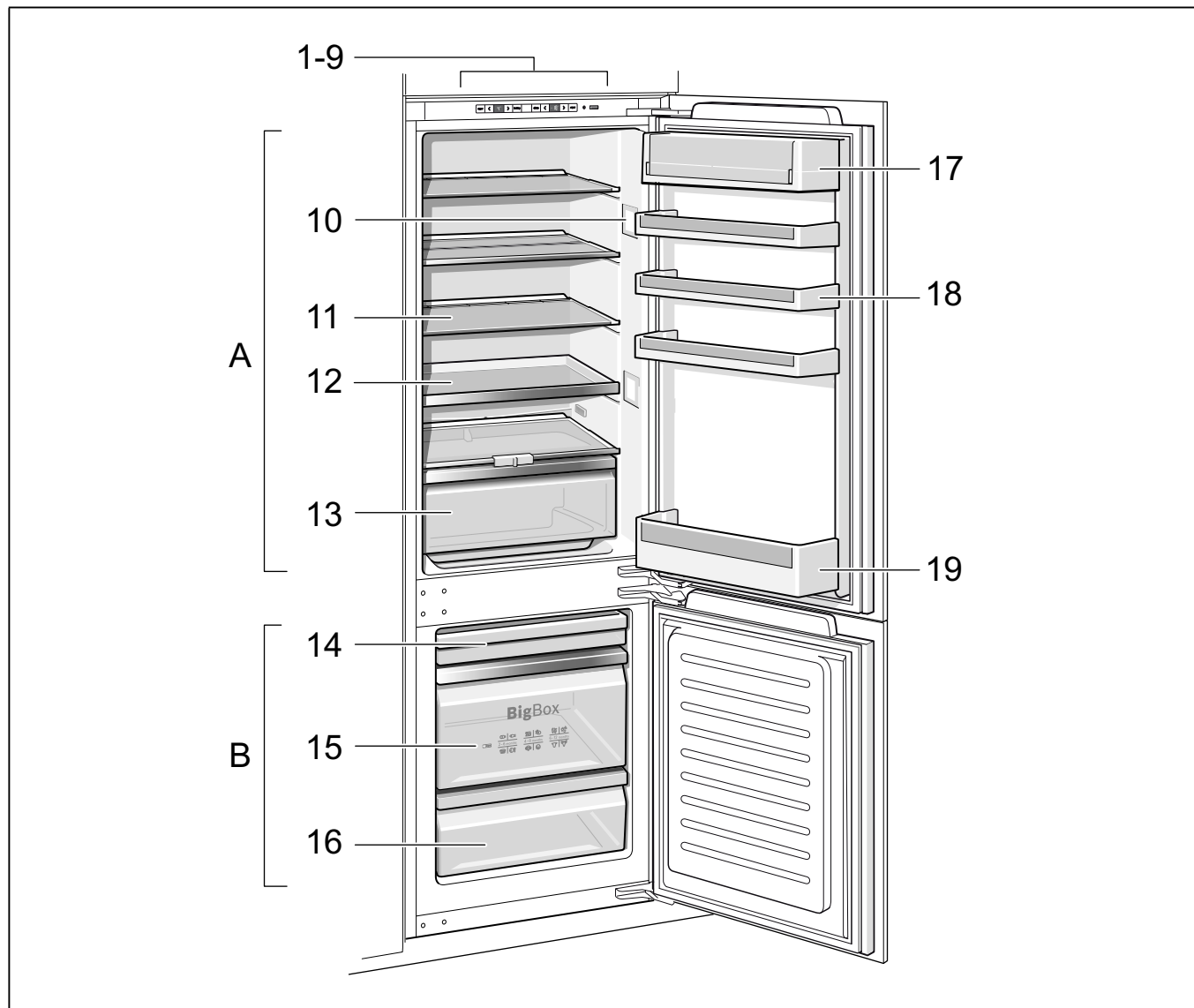
Para el uso de nuestros aparatos se pueden utilizar convertidores sinusoidales o conmutados por la red. Los convertidores conmutados por la red se utilizan en los sistemas fotovoltaicos, que se conectan directamente a la red eléctrica pública. En soluciones aisladas (por ejemplo en buques o refugios de montaña), que no tengan conexión directa a la red eléctrica pública, se deben utilizar convertidores sinusoidales.

Familiarizándose con el aparato

Las presentes instrucciones de uso son válidas para varios modelos.

El equipamiento de los modelos puede variar.

Puede haber diferencias con las ilustraciones.

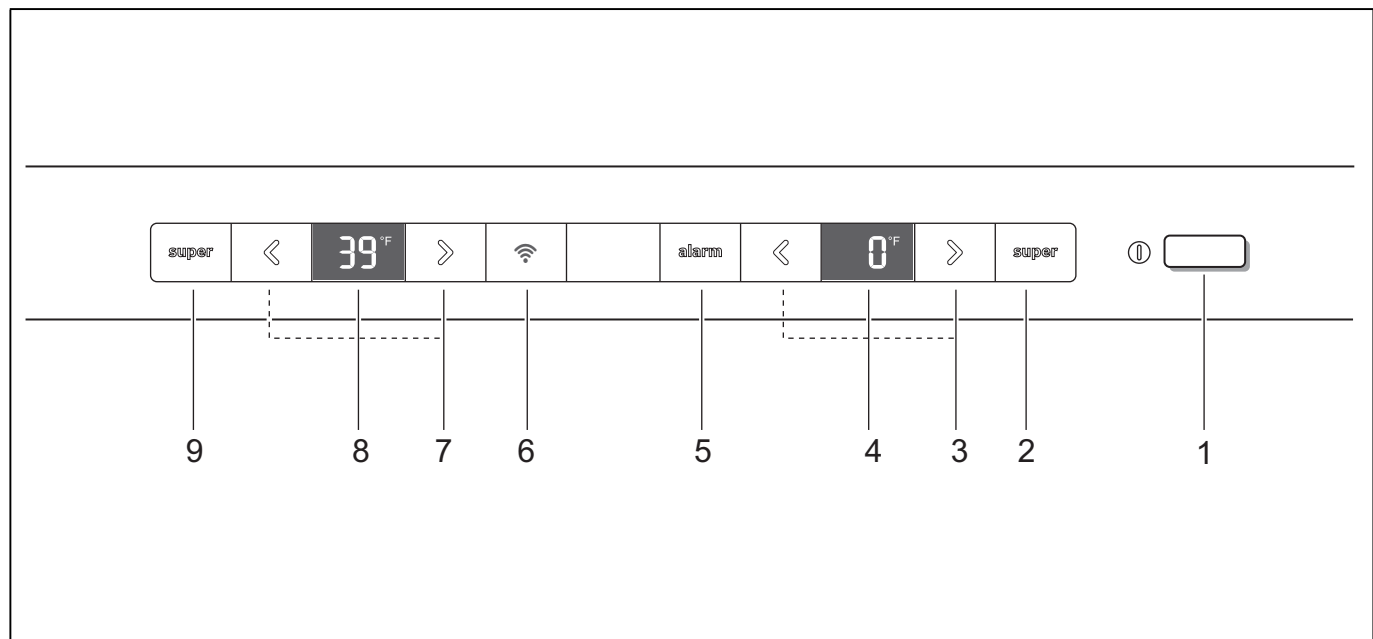


* No disponible en todos los modelos.

- A Compartimento refrigerador
B Compartimento de congelación

- 1-9 Mandos
- 10 Iluminación
- 11 Estante de vidrio en el compartimento refrigerador
- 12 Estante de vidrio extraíble°
- 13 Contenedor para verduras
- 14* Bandeja para bayas
- 15 Calendario de congelación
- 16 Contenedor para productos congelados
- 17 Compartimentos para guardar la mantequilla y el queso
- 18 Estante de la puerta
- 19 Estante para guardar botellas grandes

Mandos



- 1 **Tecla para conexión y desconexión del aparato**
Sirve para encender y apagar el aparato completo.
- 2 **Tecla super compartimento de congelación**
Sirve para encender y apagar la super congelación.
- 3 **Teclas de ajuste de la temperatura en el compartimento de congelación**
Con estas teclas se ajusta la temperatura del compartimento de congelación.
- 4 **Indicación de la temperatura para el compartimento de congelación**
Los números corresponden a las temperaturas ajustadas en el compartimento de congelación en °F.
- 5 **Tecla «alarm»**
Sirve para desactivar el tono de advertencia (véase el capítulo «Función de alarma»).
- 6 **Tecla Home Connect**
Sirve para encender, apagar y configurar la función Home Connect (véase el capítulo «Home Connect»).
- 7 **Teclas de ajuste de la temperatura en el compartimento refrigerador**
Con estas teclas se ajusta la temperatura del compartimento refrigerador.
- 8 **Indicación de la temperatura del compartimento refrigerador**
Los números corresponden a las temperaturas ajustadas en el compartimento refrigerador en °F.
- 9 **Tecla «super» Compartimento refrigerador**
Sirve para encender y apagar la super refrigeración.

Encender el aparato

1. Encender el aparato con la tecla para conexión y desconexión del aparato¹.
Se escucha un tono de advertencia, la indicación de la temperatura parpadea 4 y la tecla alarm 5 se ilumina.
 2. Al presionar la tecla alarm 5 se apaga el tono de advertencia.
El aparato comienza a enfriar. La iluminación se enciende con la puerta abierta.
- Las temperaturas preestablecidas se alcanzan después de varias horas. No introducir ningún alimento antes en el aparato.
- De fábrica se recomiendan las siguientes temperaturas:
- Compartimento de congelación: 0 °F (-18 °C)
 - Compartimento refrigerador: 39 °F (+4 °C)

Indicaciones sobre el funcionamiento del aparato

- Después de encender el aparato pueden pasar varias horas hasta que se alcance la temperatura seleccionada. No introducir ningún alimento antes en el aparato.
- Gracias al sistema automático NoFrost, el compartimento de congelación permanece libre de escarcha. No es necesario descongelarlo.
- Los lados frontales del cuerpo del aparato se calientan ligeramente, esto impide la formación de agua de condensación en la zona de la junta de la puerta.
- En caso de no poder abrir la puerta del compartimento de congelación inmediatamente después de cerrarla, aguardar unos instantes hasta que la depresión generada haya sido compensada.

Ajustar la temperatura

Compartimento refrigerador

La temperatura se puede ajustar de +36 °F (+2 °C) a +46 °F (+8 °C).

Presionar la tecla de ajuste de la temperatura en el compartimento refrigerador⁷ tantas veces como sea necesario, hasta alcanzar la temperatura deseada del compartimento refrigerador.

El último valor seleccionado es memorizado. La temperatura seleccionada se muestra en la indicación de la temperatura para el compartimento refrigerador 8.

Compartimento de congelación

La temperatura se puede ajustar de +3 °F (-16 °C) a -11 °F (-24 °C).

Presionar la tecla de ajuste del compartimento de congelación 3 tantas veces como sea necesario, hasta alcanzar la temperatura deseada del compartimento de congelación.

El último valor seleccionado es memorizado. La temperatura seleccionada se muestra en la indicación de la temperatura para el compartimento de congelación 4.

Modo de vacaciones

En caso de una ausencia prolongada, puede cambiar el aparato al modo de ahorro de energía por vacaciones. La temperatura del compartimento refrigerador se ajusta automáticamente a 57 °F (14 °C).



ATENCIÓN:

¡Durante este período no guarde alimentos en el compartimento refrigerador!

Encender y apagar

- Encender: Pulsar la tecla > compartimento refrigerador tantas veces como sea necesario, hasta que la indicación de la temperatura del compartimento refrigerador 8 muestre **Ho**. Al estar activado el modo Vacaciones, la indicación de la temperatura del compartimento refrigerador no muestra ninguna temperatura.
- Apagar: Pulsar la tecla < compartimento refrigerador tantas veces como sea necesario, hasta que la indicación de la temperatura para el compartimento refrigerador 8 muestre la temperatura deseada.

Funciones de alarma

Alarma de la puerta

La alarma de la puerta (tono continuo) se activa cuando la puerta del aparato permanece abierta durante más de un minuto. Al cerrar la puerta, se apaga el tono de advertencia.

Alarma de temperatura

La alarma de temperatura se enciende, cuando el compartimento de congelación está demasiado caliente y los productos congelados están en riesgo.

Después de presionar la tecla alarm⁵, la indicación de la temperatura muestra compartimento de congelación⁴ por cinco segundos, la temperatura más elevada, que haya sido registrada en el compartimento de congelación.

A continuación se borra este valor. La indicación de la temperatura para el compartimento de congelación 4 muestra la temperatura seleccionada en el compartimento de congelación, sin parpadear.

A partir de este momento se vuelve a determinar la temperatura más elevada y se guarda.

La alarma puede encenderse, sin riesgo para los productos congelados, en los casos siguientes:

- Al poner en marcha el aparato,
- Al introducir grandes cantidades de alimentos frescos en el compartimento de congelación,
- Cuando la puerta del compartimento de congelación ha estado abierta durante un periodo demasiado prolongado.

Nota:

No volver a congelar los productos congelados que se hayan descongelado o empezado a descongelarse. Sólo se podrá volver a congelar la comida después de su preparación (cocida o frita).

El período máximo de almacenamiento ya no se podrá utilizar.

Apagar la alarma

Presionar la tecla alarm⁵, para apagar el tono de advertencia.

Home Connect

Este aparato funciona con Wi-Fi y puede controlarse de forma remota a través de un dispositivo móvil.

Nota:

Wi-Fi es una marca registrada de Wi-Fi Alliance.

El aparato funciona, en los siguientes casos, como un refrigerador sin conexión a la red doméstica y se puede seguir manejando manualmente con los mandos:

- El aparato no está conectado a una red doméstica.
- El servicio Home Connect no se ofrece en el país en el que está instalado el aparato. Encontrará una lista de los países en los que se ofrece Home Connect en www.home-connect.com.

Nota:

- Tenga en cuenta las instrucciones de uso de este manual y asegúrese de respetarlas también, cuando utiliza el aparato mediante la aplicación Home Connect desde fuera de casa. Véase el capítulo «Indicaciones de seguridad importantes». Tenga en cuenta también las indicaciones de la aplicación Home Connect.
- El manejo desde el propio aparato siempre tendrá prioridad. En este momento, no es posible la operación desde la aplicación Home Connect.

Configurar Home Connect

Nota:

- Consulte la hoja adjunta Home Connect que está disponible para su descarga en www.bosch-home.com en la sección de las instrucciones. Para ello, introduzca en el cuadro de búsqueda el número de producto (E-Nr.) de su aparato.
- Después de encender el aparato, esperar al menos dos minutos, hasta que concluya la inicialización interna del mismo. Configurar Home Connect una vez concluida.
- Para poder establecer los ajustes a través de Home Connect, hay que tener instalada la aplicación Home Connect en el dispositivo móvil. Para ello, consulte la documentación adjunta de Home Connect. Siga los pasos indicados en la aplicación para establecer los ajustes.
- Si el aparato no se utiliza durante un tiempo prolongado, el menú Home Connect se cierra automáticamente. Las indicaciones para abrir el menú Home Connect se encuentran al principio del capítulo correspondiente.

Conexión automática a la red doméstica (WLAN)

Cuando existe un router WLAN con función WPS, el aparato refrigerador puede conectarse directamente con la red doméstica.

1. Pulsar la tecla Home Connect 6.
La indicación de la temperatura para el compartimiento refrigerador 8 muestra **Cn**.
2. Pulsar la tecla de ajuste de la temperatura en el compartimiento refrigerador 7 tantas veces como sea necesario, hasta que la indicación de la temperatura para el compartimiento refrigerador 8 muestre **AC** y la indicación de la temperatura para el compartimiento de congelación muestre 4 **OF**.
3. Pulsar la tecla de ajuste de la temperatura en el compartimiento de congelación 3.
El aparato está listo para la conexión automática.
La indicación de la temperatura para el compartimiento de congelación 4 muestra una animación durante 2 minutos.
Mientras se visualiza la animación, el aparato está listo para una conexión automática.
4. En esos 2 minutos, activar la función WPS en el router de la red doméstica (p. ej. pulsando la tecla WPS/WLAN, consultar la información al respecto en la documentación del router).
Al conectarse con éxito, parpadea **On** en la indicación de la temperatura para el compartimiento de congelación 4.
El refrigerador está listo para conectarse a la aplicación.

Nota:

Si la indicación de la temperatura para el compartimiento de congelación 4 muestra **OF**, significa que no se ha podido establecer ninguna conexión.

1. Compruebe que el refrigerador se encuentre dentro del alcance de la red doméstica (WLAN).
2. Repetir el proceso o realizar la conexión manual.

Conexión manual a la red doméstica (WLAN)

Si el router WLAN no dispone de una función WPS o se desconoce, puede conectar el aparato refrigerador manualmente con la red doméstica.

1. Pulsar la tecla Home Connect 6.
La indicación de la temperatura para el compartimiento refrigerador 8 muestra **Cn**.
2. Pulsar la tecla de ajuste de la temperatura en el compartimiento refrigerador 7 tantas veces como sea necesario, hasta que la indicación de la temperatura para el compartimiento refrigerador 8 muestre **SA** y la indicación de la temperatura del compartimiento de congelación muestre 4 **OF**.
3. Pulsar la tecla de ajuste de la temperatura en el compartimiento de congelación 3.
El aparato está listo para la conexión manual.
La indicación de la temperatura para el compartimiento de congelación 4 muestra una animación.
Mientras se visualiza la animación, el aparato está listo para la conexión manual.
4. El refrigerador ha creado ahora su propia red WLAN con el nombre de red HomeConnect.
Puede acceder a esta red con el dispositivo móvil.
5. En el menú de ajustes del dispositivo móvil, acceder a los ajustes de acceso WLAN.
6. Conectar el dispositivo móvil a la red WLAN HomeConnect.
Contraseña: HomeConnect
El establecimiento de la conexión puede durar hasta 60 segundos.
7. Una vez establecida la conexión, abrir la aplicación Home Connect en el dispositivo móvil.
La aplicación busca el refrigerador.
8. En cuanto se haya encontrado el refrigerador, introducir el nombre de la red (SSID) y la contraseña (Key) de la propia red doméstica (WLAN) en los campos correspondientes.
9. Confirmar con el botón **Transferir a electrodomésticos**.
 - Al conectarse con éxito, parpadea **On** en la indicación de la temperatura del compartimiento de congelación 4.
Ahora puede conectar el refrigerador con la aplicación.
 - Cuando la indicación de la temperatura para el compartimiento de congelación 4 muestra **OF**, significa que no se pudo establecer ninguna conexión.
Compruebe que el refrigerador se encuentre dentro del alcance de la red doméstica (WLAN).
Repetir el proceso.

Conectar el refrigerador con la aplicación

1. Pulsar la tecla Home Connect 6.
La indicación de la temperatura para el compartimiento refrigerador 8 muestra **Cn**.
2. Pulsar la tecla de ajuste de la temperatura en el compartimiento refrigerador 7 tantas veces como sea necesario, hasta que la indicación de la temperatura para el compartimiento refrigerador 8 muestre **PA** y la indicación de la temperatura para el compartimiento de congelación muestre 4 **OF**.
3. Pulsar la tecla de ajuste de la temperatura en el compartimiento de congelación 3, para conectar el aparato con la aplicación.
La indicación de la temperatura para el compartimiento de congelación 4 muestra una animación.
En cuanto el aparato de refrigeración y la aplicación estén conectados, la indicación de la temperatura para el compartimiento de congelación 4 muestra **On**.
4. Esperar a que el refrigerador aparezca en la aplicación Home Connect del dispositivo móvil. A continuación, seleccionar **+** (añadir).
Si el aparato refrigerador no se muestra automáticamente, primero seleccionar en la aplicación Home Connect **Buscar electrodomésticos** y, a continuación, seleccionar **Conectar electrodoméstico**.
5. Seguir las indicaciones de la aplicación hasta que finalice el proceso.
La indicación de la temperatura para el compartimiento refrigerador 8 muestra **PA** y el indicador de temperatura del compartimiento de congelación 4 muestra **On**.
El refrigerador se ha conectado con la aplicación.
Si la conexión falla, comprobar si el dispositivo móvil está conectado a la red doméstica (WLAN).
A continuación, volver a establecer la conexión.
Cuando indicación de la temperatura para el compartimiento de congelación 4 muestra **Er**, restablecer los ajustes de inicio de Home Connect.

Nota:

Al hacerlo, se restablecerán todos los ajustes de Home Connect.

Comprobar la intensidad de la señal

La intensidad de la señal se debe comprobar cuando no funcione el establecimiento de la conexión.

1. Pulsar la tecla Home Connect 6.
La indicación de la temperatura para el compartimiento refrigerador 8 muestra **Cn**.
2. Pulsar la tecla de ajuste de la temperatura en el compartimiento refrigerador, tantas veces como sea necesario, hasta que indicación de la temperatura para el compartimiento refrigerador 7 muestre **8 SI**. En la indicación de la temperatura para el compartimiento de congelación 4 aparece un valor entre 0 (no hay recepción) y 3 (recepción completa). El valor de intensidad de la señal debería ser 2 como mínimo. Si la intensidad de la señal es demasiado baja, puede interrumpirse la conexión.
 - Coloque el router y el refrigerador más cerca uno de otro.
 - Asegúrese de que la conexión no está interrumpida por paredes de protección.
 - O bien instale un repetidor para intensificar la señal.

Restablecer los ajustes de Home Connect

Si al intentar establecer la conexión, se produce un problema o si desea registrar el aparato en otra red doméstica (WLAN), los ajustes de Home Connect pueden restablecerse:

1. Pulsar la tecla Home Connect 6.
La indicación de la temperatura para el compartimiento refrigerador 8 muestra **Cn**.
2. Pulsar la tecla de ajuste de la temperatura en el compartimiento refrigerador 7 tantas veces como sea necesario, hasta que la indicación de la temperatura para el compartimiento refrigerador 8 muestre **rE** y la indicación de la temperatura para el compartimiento de congelación muestre **4 OF**.
3. Pulsar la tecla de ajuste de la temperatura en el compartimiento de congelación 3.
La indicación de la temperatura para el compartimiento de congelación 4 muestra una animación durante 15 segundos.
Después, indicación de la temperatura para el compartimiento de congelación 4 muestra **OF**.
Los ajustes de Home Connect se han restablecido.

Instalar la actualización del software de Home Connect

El refrigerador comprueba a intervalos regulares si existen actualizaciones para el software de Home Connect.

Cuando hay una actualización disponible, la indicación de la temperatura del compartimiento refrigerador 8 muestra **UP**.

Pulsando cualquier tecla, la indicación se restablece a la temperatura establecida.

Instalar actualización:

1. Pulsar la tecla Home Connect 6.
La indicación de la temperatura para el compartimiento refrigerador 8 muestra **Cn**.
2. Pulsar la tecla de ajuste de la temperatura en el compartimiento refrigerador 7 tantas veces como sea necesario, hasta que la indicación de la temperatura para el compartimiento refrigerador 8 muestre **UP** y la indicación de la temperatura para el compartimiento de congelación 4 **OF**.
3. Pulsar la tecla de ajuste de la temperatura en el compartimiento de congelación 3.
La indicación de la temperatura para el compartimiento de congelación 4 muestra una animación.
La actualización se está instalando.
Durante la instalación, todas las teclas están bloqueadas.
 - Si la instalación se ha realizado correctamente, la indicación de la temperatura para el compartimiento de congelación 4 muestra **On**.
 - Si no se pudo realizar la instalación, la indicación de la temperatura para el compartimiento de congelación 4 muestra **Er**. Volver a iniciar la actualización posteriormente. Si la instalación no se ha podido completar después de varios intentos, notificar al Servicio al cliente.

Indicaciones sobre protección de datos

Al conectar por primera vez el aparato refrigerador con Home Connect a una red WLAN asociada a internet, el aparato transmite las siguientes categorías de datos al servidor de Home Connect (registro inicial):

- Identificación clara del aparato (compuesta por la clave del aparato y la dirección MAC del módulo de comunicación Wi-Fi utilizado).
- Certificado de seguridad del módulo de comunicación Wi-Fi (para la protección técnica de la información de la conexión).
- Las versiones actuales del software y el hardware de su electrodoméstico.
- El estado de un posible restablecimiento previo a los ajustes de fábrica.

Este registro inicial prepara la utilización de las funciones de Home Connect y solo es necesario la primera vez que desee utilizar Home Connect.

Nota:

Tenga en cuenta que las funciones de Home Connect solo se pueden utilizar en conexión con la aplicación de Home Connect. Se puede consultar la información relativa a la protección de datos en la aplicación de Home Connect.

Declaración de conformidad

Por la presente, Robert Bosch BSH Hausgeräte GmbH certifica que el aparato con la funcionalidad de Home Connect cumple con los requisitos básicos y las disposiciones generales básicas estipulados en la Directiva 1999/5/CE.

Encontrará una declaración detallada de conformidad con la directiva R&TTE en www.bosch-home.com, en la página del producto correspondiente a su aparato, dentro de la sección de documentos adicionales.

**Capacidad útil**

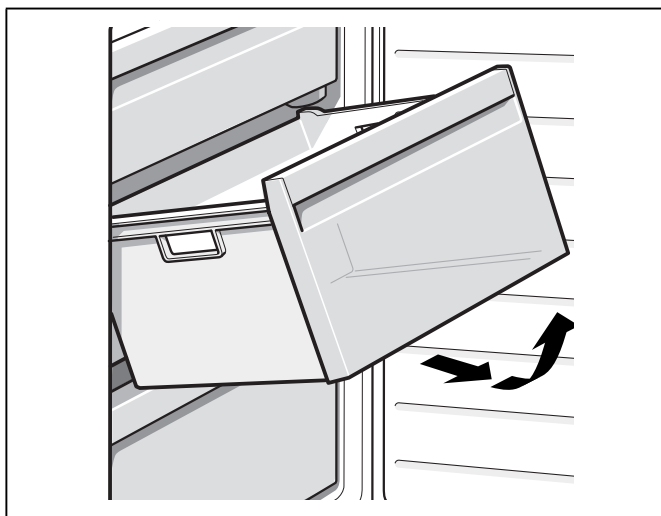
Las indicaciones sobre la capacidad útil los encuentra en la placa de características del aparato (véase la ilustración en el capítulo «Servicio al cliente»).

Aprovechar toda la capacidad de congelación del aparato

Para introducir la mayor cantidad posible de productos congelados, puede retirar todos los accesorios. De esta manera, los alimentos se pueden apilar directamente sobre el estante y el fondo del compartimento de congelación.

Retirar los accesorios

Deslice el contenedor de productos congelados hasta el tope, levántelo por la parte frontal y retírelo del aparato.

**Compartimento refrigerador**

El compartimento refrigerador es el lugar ideal para guardar carne, embutidos, pescado, productos lácteos, huevos, platos preparados y productos horneados.

Puntos a observar al guardar los alimentos

- Guarde alimentos frescos y en perfectas condiciones. De este modo conservarán su calidad y frescura durante más tiempo.
- En el caso de productos precocinados o alimentos envasados deberán observarse las fechas de caducidad o de consumo señaladas por el fabricante.
- Para conservar el aroma, color y frescura, ordene los alimentos bien envueltos o cubiertos. De este modo se evitan las transferencias de sabor y de coloración de los piezas de plástico en el compartimento refrigerador.
- Dejar enfriar los alimentos y bebidas calientes, antes de introducirlos en el aparato.

Nota:

Evite el contacto entre los alimentos y el panel posterior. La circulación del aire se verá afectada en caso contrario.

Los alimentos o sus embalajes pueden congelarse en el panel posterior.

Prestar atención a las diferentes zonas de frío del compartimento refrigerador

A través de la circulación del aire en el compartimento refrigerador, se crean zonas de diferentes temperaturas:

- La zona más fría se encuentra entre la flecha lateral estampada y el estante de vidrio situado debajo.

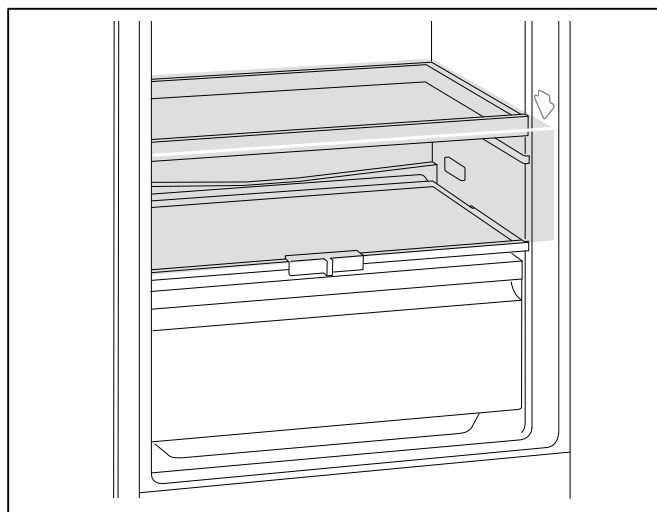
Nota:

Guarde los alimentos más delicados (por ejemplo, pescado, embutidos, carne) en la zona más fría.

- La zona menos fría se encuentra en la parte superior de la puerta.

Nota:

Guarde en la zona menos fría, por ejemplo, el queso curado y la mantequilla. De esta manera el queso puede desarrollar su aroma y la mantequilla permanece untable.

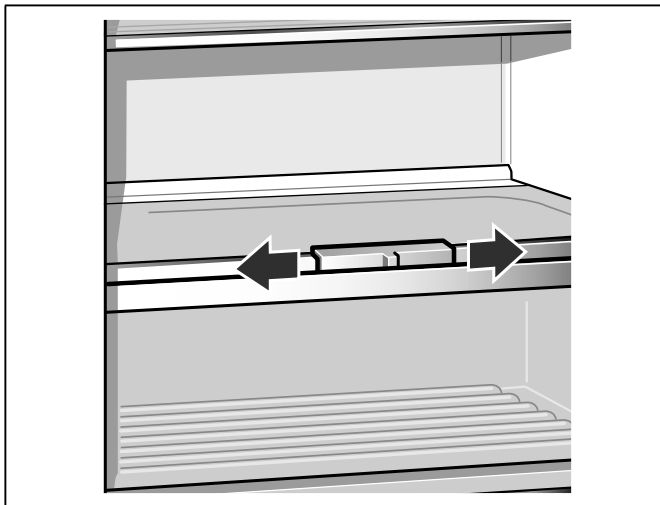


Contenedor para verduras con regulador de humedad

El contenedor para verduras es el lugar ideal para guardar frutas y verduras frescas. La humedad del aire en el contenedor para verduras se puede ajustar a través de un regulador de humedad y un aislamiento especial. De esta manera se pueden conservar la fruta y verdura frescas hasta dos veces más tiempo que en un almacenamiento convencional.

La humedad del aire en el contenedor para verduras se puede ajustar de acuerdo con el tipo y la cantidad de mercancía que se vaya a almacenar:

- Principalmente fruta y una gran cantidad de alimentos – nivel de humedad bajo
- Principalmente verdura, alimentos diversos o una pequeña cantidad de alimentos – mayor nivel de humedad



Nota:

Las frutas y verduras sensibles al frío (por ejemplo, piña, plátano, papaya y cítricos) y (por ejemplo, berenjenas, pepinos, calabacitas, pimientos, tomates y papas) deberán guardarse fuera del refrigerador a una temperatura aproximada de +46 °F (+8 °C) bis +54 °F (+12 °C) para conservar óptimamente su calidad y sabor.

Nota:

Dependiendo de la cantidad y el tipo de productos almacenados, se puede formar agua de condensación en el contenedor para verduras. Retire el agua de la condensación con un paño seco y ajuste la humedad del aire en el contenedor para verduras a través del regulador de humedad.

Super frío

Mediante el super frío se enfría el compartimento refrigerador durante aproximadamente 15 horas hasta alcanzar la temperatura más baja posible. Después cambia automáticamente a la temperatura activada antes del super frío.

Encender el super frío por ejemplo,

- Antes de introducir grandes cantidades de alimentos.
- Para enfriar bebidas rápidamente.

Nota:

Si está encendido el super frío, puede aumentar el ruido de funcionamiento.

Encender y apagar

Presionar tecla super compartimento refrigerador 9.

La tecla se ilumina el super frío está encendido.

Compartimento de congelación

Usos del compartimento de congelación

- Para guardar los alimentos congelados.
- Para fabricar cubos de hielo.
- Para congelar alimentos frescos.

Nota:

¡Asegúrese de que la puerta del compartimento de congelación esté siempre cerrada! Con la puerta abierta, los productos congelados se descongelan y el compartimento de congelación se cubre de hielo en gran medida. Además: ¡hay desperdicio de energía por el elevado consumo de energía eléctrica!

Congelación y almacenamiento

Al comprar alimentos congelados

- El envase no debe estar dañado.
- Se debe tener en cuenta la fecha de caducidad.
- La temperatura del mostrador de ventas debe estar a 0 °F (-18 °C) o más fría.
- De ser posible, transportar los alimentos congelados en una bolsa isotérmica y colocarlos rápidamente en el compartimiento de congelación.

Prestar atención al colocar los alimentos

- Colocar las cantidades más grandes de alimentos preferentemente en el compartimiento superior. Allí se congelan de un modo particularmente rápido y cuidadoso.
- Distribuir los alimentos ampliamente en los compartimientos o los contenedores para productos congelados.

Nota:

Los productos congelados no deben entrar en contacto con los alimentos frescos que se desean congelar. En caso necesario, vuelva a apilar los alimentos congelados en otros contenedores para productos congelados.

Almacenar los productos congelados

Introduzca el contenedor de productos congelados hasta el tope, para asegurar una circulación de aire adecuada.

Congelar alimentos frescos

Para congelar utilice únicamente alimentos frescos y en perfectas condiciones.

Para mantener el valor nutricional, sabor y color de las verduras tanto como sea posible, deben escaldarse antes de su congelación. Las berenjenas, los pimientos, las calabazas y los espárragos no hay que escaldarlos. La literatura sobre congelación y escaldado la encuentra en las librerías.

Nota:

Procurar que los alimentos congelados que ya hubiera en el congelador no entren en contacto con los alimentos frescos que se desean congelar.

- Alimentos adecuados para la congelación:
Pan y bollos, pescado y marisco, carne, caza, aves, verduras y hortalizas, frutas, hierbas aromáticas, huevos sin cáscara, productos lácteos tales como queso, mantequilla, platos cocinados y restos de comidas como sopas, potajes, carnes o pescados cocinados, platos de papas, guisos y platos dulces.
- Alimentos que no deben congelarse:
Verduras que se consumen normalmente crudas, como lechugas o rábanos, huevos con cáscara, uvas, manzanas enteras, peras y melocotones, huevos duros, yogurt, leche agria, crema agria, crema fresca y mayonesa.

Embalar los productos congelados

Envasar los alimentos herméticamente para que no se deshidraten o pierdan su sabor.

1. Introducir los alimentos en el embalaje.
2. Eliminar todo el aire.
3. Cerrarlo herméticamente.
4. Marcar los envases, indicando su contenido y la fecha de congelación.

Apropiado como embalaje:

Película de plástico, rollo de película de polietileno, papel de aluminio, envases para la congelación. Estos productos pueden encontrarse en comercios especializados.

No apropiado como embalaje:

Papel de envolver, papel de pergamino, celofán, bolsas de basura, bolsas usadas de compras.

Adecuado para el cierre:

Anillos de goma, clips de plástico, hilos para atar, cinta adhesiva resistente al frío, entre otros.

Las bolsas y el rollo de película de polietileno se pueden cerrar mediante termosellado.

Plazo de conservación de los productos congelados

El plazo de conservación depende del tipo de alimento. A una temperatura de 0 °F (-18 °C):

- Pescado, embutidos, comidas preparadas, productos de panadería:
hasta 6 meses
- Queso, aves y carne:
hasta 8° meses
- Fruta, verdura:
hasta 12° meses

Super congelación

Los alimentos deben congelarse totalmente lo más rápidamente posible para que conserven las vitaminas, los valores nutricionales, la apariencia y el sabor.

Encienda la super congelación, unas horas antes de introducir los alimentos frescos, para evitar un incremento no deseado en la temperatura.

Normalmente basta con 4-6 horas.

El aparato funciona de forma continua después de encenderlo, en el interior del compartimento de congelación se alcanza una temperatura^o muy fría.

Las cantidades pequeñas de alimentos (hasta 2^okg). las puede congelar en el estante superior, sin la función super congelación.

Nota:

Si está encendida la super congelación, pueden aumentar el ruido de funcionamiento.

Encender y apagar

Presionar la tecla super para el compartimento de congelación 2.

La tecla se ilumina, cuando la super congelación está encendida.

La super congelación se apaga automáticamente después de aprox.. 2½ días^o.

Descongelar los productos congelados

Dependiendo del tipo y la finalidad, puede elegir entre las siguientes posibilidades:

- A temperatura ambiente
- En el refrigerador
- En el horno eléctrico con/sin ventilador de aire caliente
- En el horno microondas

⚠ ATENCION:

No volver a congelar los productos congelados que se hayan descongelado o empezado a descongelarse. Sólo se podrá volver a congelar la comida después de su preparación (cocida o frita).

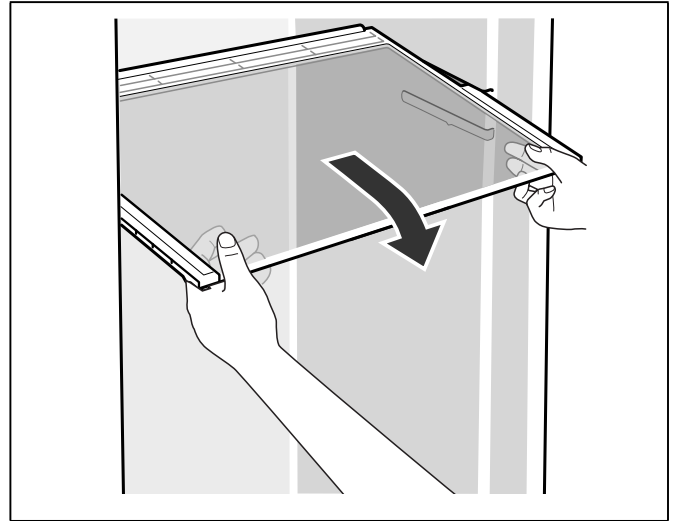
En este caso, ya no se podrá utilizar el período máximo de almacenamiento de los productos congelados.

Equipamiento

(no disponible en todos los modelos)

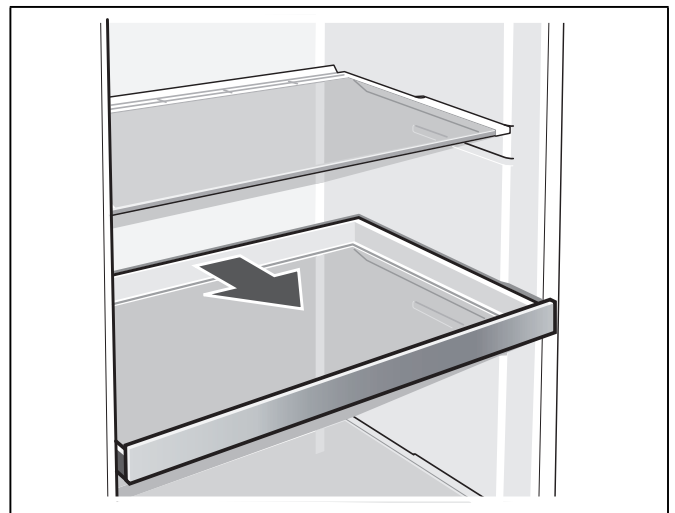
Estantes de vidrio

Usted puede variar la posición de los estantes del interior del aparato según sus necesidades: para ello debe levantar el estante, desplazarlo hacia adelante, inclinarlo hacia abajo y retirarlo inclinándolo lateralmente.



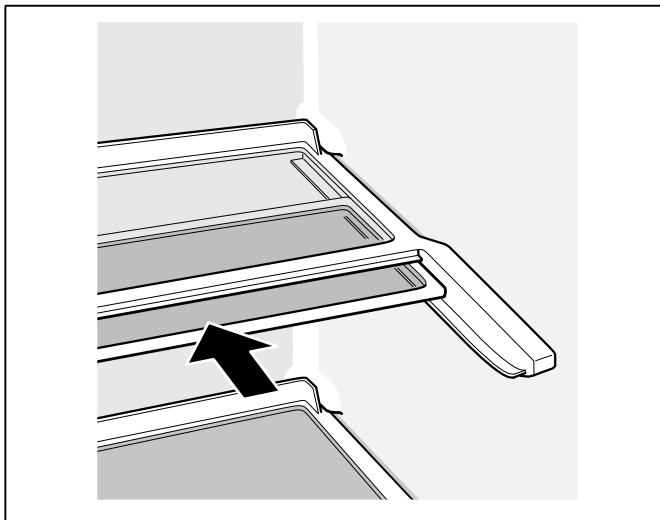
Estante de vidrio extraíble

Para tener una mejor vista de los alimentos, puede retirar los estantes de vidrio.



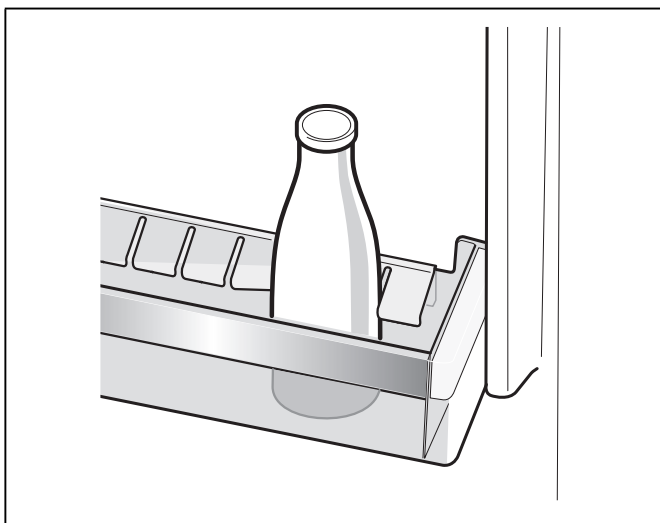
Estante Vario

Para guardar objetos altos (por ejemplo, jarras o botellas) se puede retirar la parte delantera del estante Vario y deslizarlo debajo de la parte trasera.



Contenedor de botellas

El contenedor de botellas evita que las botellas se caigan durante la apertura y cierre de la puerta.



Calendario de congelación

Véase el capítulo «Familiarizándose con el aparato». Para evitar el deterioro de la calidad de los productos congelados, no exceda su período de almacenamiento. El período de almacenamiento depende del tipo de producto congelado. Los números en los símbolos indican el período de almacenamiento en meses para los productos congelados. En alimentos congelados comerciales, considere la fecha de elaboración o la fecha de caducidad.

Bandeja de hielo

Llenar $\frac{3}{4}$ partes de la bandeja de hielo con agua potable y colocarla en el compartimento de congelación. Desprender la bandeja de hielo adherida solo con ayuda de un objeto sin puntas, como por ejemplo, el mango de una cuchara.

Para retirar los cubitos de hielo de la bandeja de hielo, colocarla brevemente debajo del chorro de agua corriente o doblarla ligeramente.

Acumulador de frío

(en caso de estar incluidos en el equipo del aparato, su número puede variar)

En caso de un corte o una falla en el suministro de corriente el acumulador de frío retrasa el calentamiento de los productos congelados almacenados. El tiempo de conservación más prolongado se logra colocando el acumulador de frío en el compartimiento superior, directamente sobre los alimentos.

El acumulador de frío se puede extraer y usarlo para mantener fríos alimentos frescos por breve tiempo, por ejemplo en una bolsa isotérmica.

Apagar y ° cerrar el aparato

Apagar el aparato

Oprimir la tecla para conexión y desconexión del aparato ° 1.

La indicación de la temperatura se apaga y el refrigerador se apaga °.

Cerrar el aparato

Cuando no utilice el aparato por un período prolongado:

1. Apagar el aparato.
2. Desconectar el enchufe o apagar el fusible.
3. Limpiar el aparato.
4. Dejar la puerta abierta.

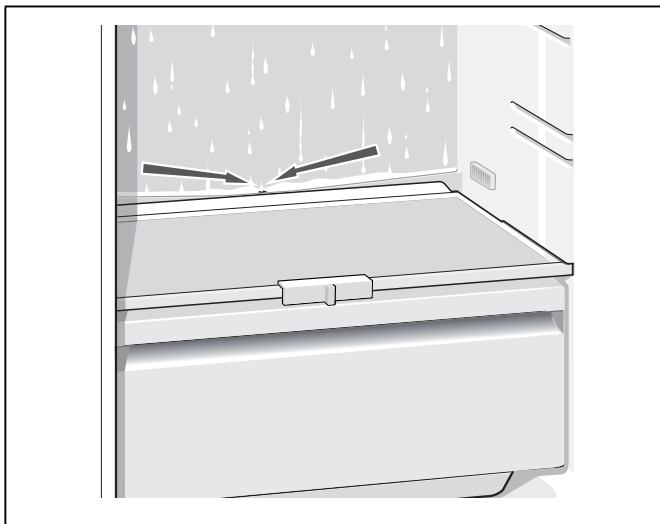
Descongelación

Compartimento refrigerador

Durante el funcionamiento del aparato se acumulan en el panel posterior del compartimento refrigerador gotas del agua de descongelación o escarcha. Dado que el panel posterior se descongela automáticamente, no es necesario eliminar la escarcha ni las gotas de agua de condensación. El agua de descongelación corre a través de la canaleta de desagüe y el orificio de drenaje a la bandeja de evaporación donde se evapora.

Nota:

Mantenga siempre limpios la canaleta de desagüe y el orificio de drenaje para que el agua de descongelación pueda fluir.



Compartimento de congelación

Gracias al sistema automático NoFrost, el compartimento de congelación permanece libre de escarcha. La descongelación ya no es necesaria.

Limpieza del aparato

⚠ ATENCION:

- No utilizar detergentes ni solventes que contengan arena, cloro o ácidos.
- No emplear esponjas abrasivas. En las superficies metálicas podría producirse corrosión.
- No lavar nunca los estantes ni contenedores del aparato en el lavavajillas. ¡Las piezas pueden deformarse!

Proceder como se indica a continuación:

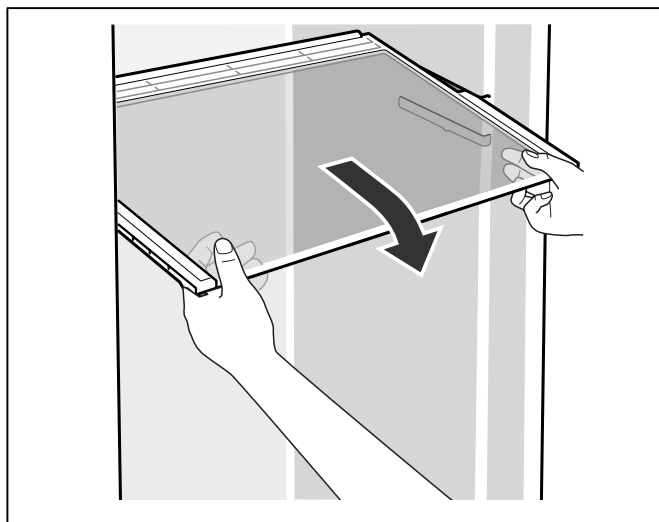
1. Apagar el aparato antes de proceder a su limpieza.
2. Desconectar el enchufe o apagar el fusible.
3. Retirar los alimentos y guardarlos en un lugar fresco. Colocar el acumulador de frío (si está disponible) sobre los alimentos.
4. Esperar hasta que se haya descongelado la capa de escarcha.
5. Limpiar el aparato con un paño suave, agua tibia y un poco de detergente para platos con pH neutro. El agua de lavado no debe entrar en la iluminación o por el agujero de drenaje a la zona de evaporación.
6. Limpiar la junta de la puerta solo con agua clara y secarla minuciosamente a continuación.
7. Después de la limpieza, volver a conectar y encender el aparato.
8. Volver a introducir los alimentos.

Equipamiento

Las partes variables del aparato se pueden extraer para su limpieza.

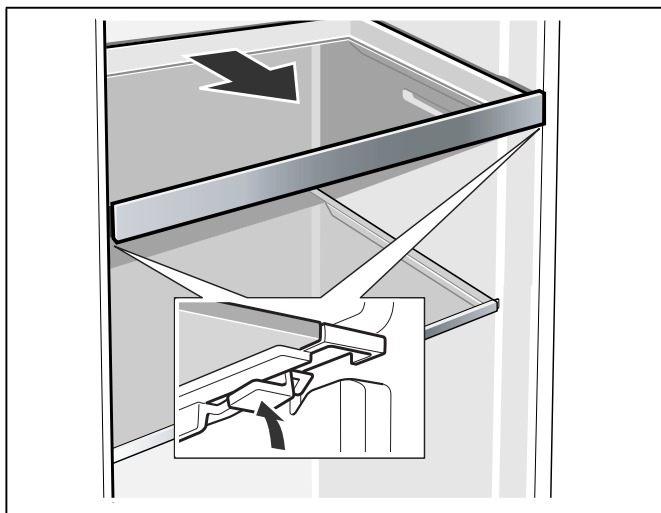
Retirar los estantes de vidrio

Deslizar el estante hacia fuera, levantarlo por la parte frontal y retirarlo del aparato.



Retirar el estante de vidrio extraíble

Presionar por ambos lados la palanca situada debajo del estante de vidrio, desplazarlo hacia adelante, levantarlo ligeramente y extraerlo inclinándolo lateralmente.



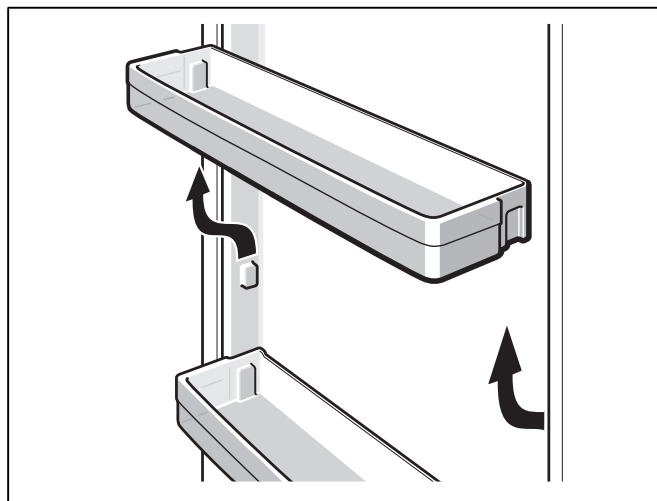
Canaleta de agua de condensación

Limpiar regularmente la canaleta de agua de condensación y el orificio de drenaje con un hisopo de algodón u objeto similar, para permitir que drene el agua de condensación.



Retirar los estantes de la puerta

Levantarlos ligeramente y retirarlos.

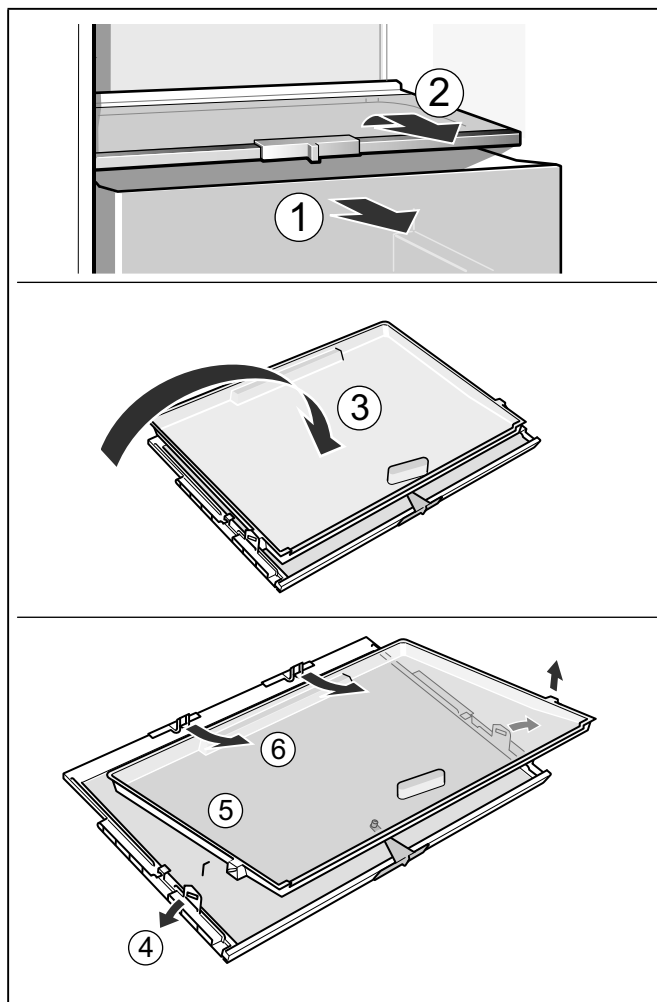


Retirar el estante de vidrio situado encima del contenedor para verduras

El estante de vidrio se puede retirar y desarmar para su limpieza.

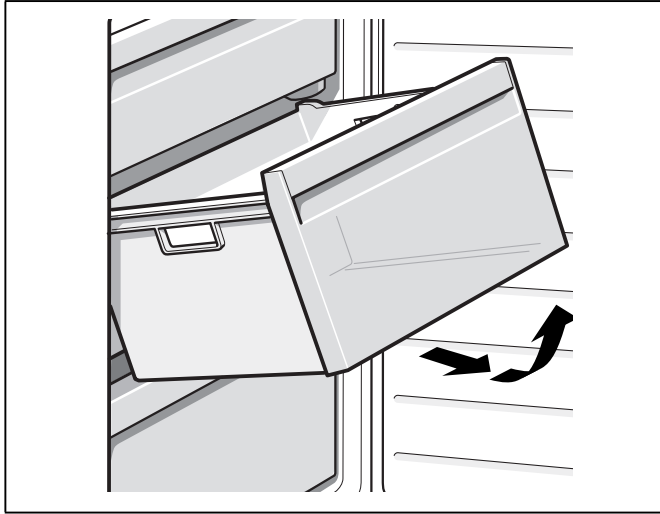
Nota:

Antes de retirar el estante de vidrio, hay que extraer el contenedor para verduras.



Retirar los contenedores

Desplazar el contenedor hasta el tope, levantarlo por la parte frontal y retirarlo del aparato.



Olores

En caso de detectar olores desagradables:

1. Apagar el aparato con la tecla para conexión y desconexión del aparato[Ⓢ].
2. Retirar todos los alimentos del aparato.
3. Limpiar el interior del aparato (véase el capítulo «Limpieza del aparato»).
4. Limpiar todos los embalajes.
5. Envasar herméticamente los alimentos de olor fuerte para evitar la formación de olores.
6. Encender el aparato de nuevo.
7. Acomodar los alimentos.
8. Verificar después de 24 horas si hay olores de nuevo.

Iluminación (LED)

Su aparato está equipado con una iluminación LED exenta de mantenimiento.

Las reparaciones de esta iluminación sólo podrán ser realizadas por personal de Servicio al cliente o técnicos autorizados.

Ahorro de energía

- Colocar el aparato en un lugar seco y bien ventilado. El aparato no debe estar expuesto directamente al sol ni cerca de una fuente de calor (p.ej. radiador, estufa). En caso necesario, utilice una placa de aislamiento.
- Seleccionar un nicho de montaje con una profundidad de 560°mm. Un nicho de montaje de menor profundidad ocasionará un mayor consumo de energía.
- Deje enfriar los alimentos o bebidas calientes, antes de introducirlos en el aparato.
- Para descongelar los productos congelados, colóquelos en el compartimento refrigerador y utilice el frío del producto congelado para enfriar los alimentos.
- Abrir el aparato el menor tiempo posible.
- Asegúrese que la puerta del compartimento de congelación esté siempre cerrada.
- Para evitar un aumento en el consumo de energía, limpie de vez en cuando la parte posterior del aparato.
- La disposición de las piezas del aparato no afectará el consumo de energía del aparato.

Ruidos de funcionamiento del aparato

Ruidos completamente normales

Zumbido

Los motores están trabajando (compresores, ventilador).

Ruidos burbujeantes gorgoteo o zumbido

El refrigerante fluye a través de los tubos.

Clic

El motor, el interruptor y las válvulas de solenoide se encienden y se apagan.

Chasquidos

Se está realizando el desescarchado automático.

Evitar ruidos

El aparato está colocado en posición desnivelada

Nivele el hueco de instalación del aparato con ayuda de un nivel de burbuja. Utilice para ello las patas ajustables para el nicho o unos calzos adecuados.

Los contenedores o los estantes se mueven o están atascados

Compruebe las piezas desmontables y vuelva a colocarlas dentro.

Los recipientes están en contacto entre sí

Separe ligeramente los recipientes.

Arreglar pequeñas averías por sí mismo

Antes de llamar al Servicio al cliente:

Compruebe si puede arreglar usted mismo la avería, basado en las siguientes indicaciones.

¡Usted deberá pagar el costo de asesoramiento – del Servicio al cliente incluso durante el periodo de garantía!

Avería	Posible causa	Solución
La temperatura difiere considerablemente del valor seleccionado.		En algunos casos, es suficiente apagar el aparato durante 5 minutos. Si la temperatura está demasiado caliente, compruebe, después de unas pocas horas, si ha ocurrido una aproximación a la temperatura. Si la temperatura está demasiado fría, compruebe, al día siguiente, nuevamente la temperatura.
No se ilumina ninguna indicación.	Corte en el suministro eléctrico; El fusible se ha fundido; el enchufe no está bien sujeto.	Conectar el enchufe. Compruebe el suministro eléctrico, compruebe los fusibles.
La indicación de la temperatura muestra "E..".	El sistema electrónico ha detectado una falla.	Llamar al Servicio al cliente.
Se escucha el tono de advertencia, la tecla alarm ⁵ se ilumina.	El aparato está abierto.	Para desactivar el tono de advertencia, pulsar la tecla alarm 5. Cerrar el aparato.
¡La temperatura del compartimento de congelación es demasiado caliente! ¡Existe peligro para los productos congelados!	Las aberturas de ventilación y aireación están obstruidas. La congelación de grandes cantidades de alimentos frescos.	Asegurar la ventilación y aireación. Congelar menos alimentos frescos.
La indicación de la temperatura para el compartimento de congelación 4 parpadea.	El aparato está abierto.	Después de solucionar la avería, la tecla alarm ⁵ deja de estar iluminada después de un cierto tiempo. Para apagar el tono de advertencia, presione alarm 5. Cerrar el aparato.
Suena el tono de advertencia	Las aberturas de ventilación y aireación están obstruidas.	Asegurar la ventilación y aireación.
La tecla alarm 5 se ilumina.	La congelación de grandes cantidades de alimentos frescos.	Congelar menos alimentos frescos.
¡La temperatura del compartimento de congelación es demasiado caliente! ¡Existe peligro para los productos congelados!		Después de solucionar la avería, la indicación de alarma se apaga después de un cierto tiempo.
La indicación de la temperatura para el compartimento de congelación 4 parpadea.	Debido a una avería, en algún momento la temperatura del compartimento de congelación estuvo demasiado caliente.	Después de presionar la tecla alarm ⁵ la indicación de la temperatura ⁴ deja de parpadear. La indicación de la temperatura muestra durante cinco segundos la temperatura más elevada registrada en el compartimento de congelación.
El aparato no enfría, la indicación de la temperatura y la iluminación están encendidas.	El modo de exposición está activado.	Iniciar la autocomprobación del aparato (véase el capítulo «Autocomprobación del aparato»). Una vez concluido el programa, el aparato vuelve al modo de funcionamiento normal.

Autocomprobación del aparato

Su aparato dispone de un programa de autocomprobación automática que muestra errores que solo su Servicio al cliente puede resolver.

Iniciar la autocomprobación del aparato

1. Apagar la unidad y esperar 5° minutos.
2. Encender el aparato y en los primeros 10° segundos presionar la tecla super2 durante 3-5° segundos y mantenerla presionada, hasta que suene una señal acústica.

Arranca el programa de autocomprobación.

Durante la autocomprobación suena una señal acústica prolongada.

Si al finalizar la autocomprobación suenan 2 señales acústicas y se muestra la temperatura seleccionada, su aparato se encuentra en perfecto estado.

Si al finalizar la autocomprobación suenan 5 señales acústicas y la tecla super del compartimento de congelación parpadea durante 10° segundos, se trata de una falla. Notifique al Servicio al cliente.

Concluir la autocomprobación del aparato

Una vez concluido el programa, el aparato volverá al modo de funcionamiento normal.

Servicio al cliente

Si fuera necesario cambiar el sentido de apertura de la puerta, le aconsejamos realizarlo a través de nuestro Servicio al cliente. Los costos para cambiar el sentido de apertura de la puerta, los puede obtener de su Servicio al cliente.

Antes de llamar al Servicio al cliente, véase el capítulo «Arreglar pequeñas averías».

Después de la verificación según el capítulo «Arreglar pequeñas averías», puede recibir ayuda adicional llamando al Bosch Customer Support Center, al 1-800-944-2904 (sin costo), desde cualquier punto de los E.E.U.U.

En Canadá, por favor póngase en contacto con su Centro de Servicio al Cliente Bosch o llame al número 1-800-944-2904.

Anote la siguiente información de su aparato, para que la tenga disponible y le podamos atender mejor, si necesita asistencia por parte de Servicio al cliente.

Nombre del comerciante:

Dirección:

Número de teléfono:

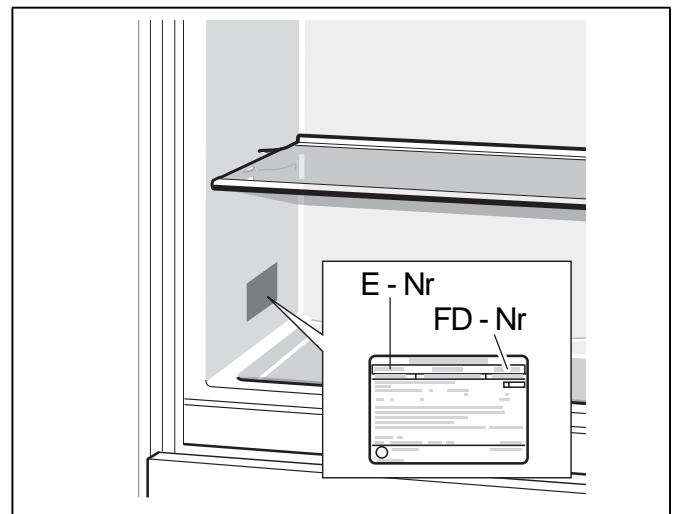
Fecha de compra:

Número del modelo:

Número de fabricación (FD):

Número de serie

Tipo



BSH Home Appliances Corporation

1901 Main Street, Suite 600
Irvine, CA, 92614, USA

www.bosch-home.com



8001035240

en-us, fr-ca, es-mx
(9712)