



Register your new Bosch now:
www.bosch-home.com/welcome



MSM66...N AU
MSM67...N AU



BOSCH

en Operating instructions

en

Congratulations on the purchase of your new BOSCH appliance. In doing so, you have opted for a modern, high-quality domestic appliance. You can find further information about our products on our web page.

Contents

For your safety	2
Overview	3
Operation	3
Cleaning	4
Troubleshooting (MSM67..).....	4
Recipes and tips	5
Disposal	5
Guarantee	5

For your safety

Before use, read these instructions carefully in order to become familiar with important safety and operating instructions for this appliance.

If the instructions for correct use of the appliance are not observed, the manufacturer's liability for any resulting damage will be excluded.

This appliance is designed for processing normal household quantities in the home or similar quantities in non-industrial applications.

Non-industrial applications include e.g. use in employee kitchens in shops, offices, agricultural and other commercial businesses, as well as use by guests in boarding houses, small hotels and similar dwellings.

Use the appliance for processing normal quantities of food for domestic use. The appliance is only suitable for cutting or mixing food.

It must not be used for processing other objects or substances.

Please keep the Operating instructions in a safe place.

If passing on the appliance to a third party, always include the Operating instructions.

General safety instructions

Electric shock risk

The appliance must not be used by children.

The appliance and its power cord must be kept away from children.

Appliances can be used by persons with reduced physical, sensory or mental capabilities or lack of experience and knowledge if they have been given supervision or instruction concerning use of the appliance in a safe way and if they understand the hazards involved.

Children shall not play with the appliance.

Connect and operate the appliance only in accordance with the specifications on the rating plate. Do not use the appliance if the power cord and/or appliance are damaged.

Switch off the appliance and disconnect from supply before changing accessories or approaching parts that move in use.

Always disconnect the appliance from the supply if it is left unattended and before assembling, disassembling or cleaning.

Do not place the power cord over sharp edges or hot surfaces.

To prevent injury, a damaged power cord must be replaced by the manufacturer or his customer service or a similarly qualified person. Only our customer service may repair the appliance.

Safety instructions for this appliance

Risk of injury

Electric shock risk

Do not use the hand blender with damp hands and do not operate it at no load. Do not immerse the appliance in liquid above the blender foot-base unit connection point. Never immerse the base unit in liquids and do not clean in the dishwasher. Caution when processing hot liquids. Liquids may splash during processing.

Never place blender foot on hot surfaces or use in very hot food.

Leave hot food to cool down to at least 80 °C before processing with the blender! Operate the hand blender with original accessories only.


Do not attach or remove tools until the appliance is at a standstill.

Recommendation: Never switch on the appliance for longer as you need to processing the ingredients.

Risk of injury from sharp blades/rotating drive!

Never grip the blade in the blender foot.

Never clean the blades with bare hands. Use a brush.

These operating instructions refer to various models. An overview of the different models can be found on the illustrated pages (Fig. .

Overview

Please fold out the illustrated pages.

Fig. .

1 Base unit

2 Power cord

3 Speed control

Operating speed can be adjusted steplessly between the lowest (●) and highest (12) speed (only in conjunction with button 4a).

4 ON button

a Controllable speed (with speed control 3)

b Turbo speed

The hand blender remains switched on as long as the On button (a or b) is pressed. The turbo speed is used for the universal cutter (if included in delivery).

5 Release buttons

To remove the blender foot, simultaneously press both release buttons.

6 Blender foot

Plastic or metal (depending on model). Attach the blender foot and lock into position.

7 Blender blade

8 Blender jug with lid

Using the blender jug will prevent the ingredients from splashing. Place the lid on the blender jug to keep in the processed ingredients.

For some models:

9 Whisk with gear

10 Masher attachment with gear

11 Universal cutter with lid

If the universal cutter is not included with the hand blender, it can be ordered from customer service (order no. 657247).

With the universal cutter use the appliance at full power to prepare honey spread (according to the recipe). You can find the recipe in the instructions for use of the universal cutter. Place the lid on the universal cutter to keep in the processed ingredients.

en

Operation

The appliance is suitable for blending mayonnaise, sauces, mixed drinks, baby food, cooked fruit and vegetables.

For puréeing soups.

Use the universal cutter for cutting/chopping raw food (onions, garlic, herbs)!

It is recommended to use the supplied blender jug. However, other suitable receptacles can also be used.

Attention!

The bottom of the receptacle which you use must not have any bumps or recesses.

- Before using the appliance for the first time, clean all parts of it.

Fig. B

- Completely unwind the power cord.
- Place the blender foot on the base unit and lock into position.
- Insert the mains plug.
- Place food in the blender jug or another tall receptacle.

i The appliance works better if there is some liquid in the ingredients.

- Set the required speed with the speed control (Fig. B-5).
- It is recommended to use a low speed setting for liquids, hot food and for mixing (e.g. muesli in yoghurt). The high speed settings are recommended for the processing of more solid foods.
- Firmly hold the hand blender and jug.
- Switch on the hand blender by pressing the required On button.

i When switching on the hand blender, hold it at a slight angle to prevent it from “sticking” to the bottom of the blender jug. The hand blender remains switched on as long as the On button is pressed.

i To prevent the ingredients from splashing, do not press the On button until the blender foot has been immersed in the ingredients. Always switch off the hand blender before taking it out of the processed food.

- Release the On button after processing.

After using the appliance:

- Remove mains plug.
- Press the release buttons and remove the blender foot from the base unit.

Cleaning

Attention!

Never immerse the base unit in liquids and do not clean in the dishwasher.

Do not use a steam cleaner!

Surfaces may be damaged. Do NOT use abrasive cleaning agents.

i If processing e.g. red cabbage and carrots, the plastic parts will become discoloured by a red film which can be removed with a few drops of cooking oil.

- Pull out the mains plug!
- Wipe the base unit with a damp cloth and then wipe dry.
- The blender jug can be cleaned in the dishwasher.
- Clean the blender foot in the dishwasher or with a brush under running water.
- Dry the blender foot in an upright position (blender blade face up) so that any trapped water can run out.

Note:

Appliances with spiral cable:

Never wind the cable around the appliance!

Troubleshooting (MSM67..)

Fault	Remedial action
The appliance switches off while it is being used or the speed indicator (if fitted) starts flashing.	The overload protection feature has been activated. <ul style="list-style-type: none"> ● Switch off the appliance and pull out the mains plug. ● Leave the appliance to cool down for approx. 1 hour in order to deactivate the overload protection device. ● Switch on the appliance again.

If the fault cannot be eliminated, please contact customer service.

Recipes and tips

Mayonnaise

1 egg (egg yolk and egg white)
 1 tbs. mustard
 1 tbs. lemon juice or vinegar
 200–250 ml oil
 Salt, pepper to taste
 Ingredients must be at the same temperature!

- Put the ingredients in the jug.
- Place hand blender at the bottom of the jug and switch on (turbo speed) until the mixture emulsifies.
- Slowly raise the switched on blender as far as the upper edge of the mixture and lower again until the mayonnaise is ready.

Tip: According to this recipe you can also make mayonnaise with egg yolk only. However, use only half the amount of oil.

Vegetable soup

300 g potatoes
 200 g carrots
 1 small stick of celery
 2 tomatoes
 1 onion
 50 g butter
 2 l water
 Salt, pepper to taste

- Skin and seed the tomatoes.
- Chop up cleaned and washed vegetables and sauté in the hot butter.
- Add water and salt.
- Leave to cook for a good 20–25 min.
- Take the pan off the cooker.
- Purée the soup in the pan with the blender.
- Season with salt and pepper.

Crêpes dough

250 ml milk
 1 egg
 100 g flour
 25 g melted cooled butter

- Put all ingredients in the jug in the indicated sequence and blend to a smooth dough.

Blended milk drinks

1 glass of milk
 6 large strawberries
 or
 10 raspberries or
 1 banana (sliced)

- Put the ingredients in the jug and blend.
- Add sugar to taste.

Tip:

For a milk shake add a scoop of ice cream or use very cold milk.

Disposal



This appliance has been identified in accordance with the European directive 2012/19/EC on Waste Electrical and Electronic Equipment – WEEE.

The Directive paves the way for effective EU-wide withdrawal and utilization of waste appliances.

Please ask your dealer or inquire at your local authority about current means of disposal.

Guarantee

The guarantee conditions for this appliance are as defined by our representative in the country in which it is sold.

Details regarding these conditions can be obtained from the dealer from whom the appliance was purchased.

The bill of sale or receipt must be produced when making any claim under the terms of this guarantee.

Kundendienst – Customer Service

DE Deutschland, Germany

BSH Hausgeräte Service GmbH
Zentralwerkstatt für kleine

Hausgeräte
Trautskirchener Strasse 6-8
90431 Nürnberg

Online Auftragsstatus, Filterbeutel-
Konfigurator und viele weitere

Infos unter:
www.bosch-home.com

Reparaturservice, Ersatzteile &
Zubehör, Produkt-Informationen:

Tel.: 0911 70 440 040
[mailto:cp-servicecenter@
bshg.com](mailto:cp-servicecenter@bshg.com)

Wir sind an 365 Tagen rund um die Uhr
erreichbar.

AE United Arab Emirates,

الإمارات العربية المتحدة

BSH Home Appliances FZE
Round About 13,
Plot Nr MO-0532A

Jebel Ali Free Zone – Dubai
Tel.: 04 881 4401
<mailto:service.uae@bshg.com>
www.bosch-home.com/ae

AL Republika e Shqiperise, Albania

AERTECH SH.P.K.

Rruga Qemal Stafa
Pallati i ri perball Prokuroris se
Pergjithshme
Hyrja C Kati 10
Tirana

Tel.: 066 206 47 94
<mailto:g.volina@aertech.al>

AT Österreich, Austria

BSH Hausgeräte
Gesellschaft mbH

Werkskundendienst
für Hausgeräte
Quellenstrasse 2
1100 Wien

Tel.: 0810 550 511*
Fax: 01 605 75 51 212
[mailto:vie-stoerungsannahme@
bshg.com](mailto:vie-stoerungsannahme@bshg.com)

Hotline für Espresso-Geräte:

Tel.: 0810 700 400*
www.bosch-home.at

*innerhalb Österreichs zum Regionaltarif

AU Australia

BSH Home Appliances Pty. Ltd.
7-9 Arco Lane

HEATHERTON, Victoria 3202
Tel.: 1300 368 339
<mailto:bshau-as@bshg.com>
www.bosch-home.com.au

BA Bosna i Hercegovina, Bosnia-Herzegovina

"HIGH" d.o.o.

Gradačačka 29b
71000 Sarajevo
Info-Line: 061 100 905
Fax: 033 213 513
<mailto:delicnanda@hotmail.com>

BE Belgique, België, Belgium

BSH Home Appliances S.A.

Avenue du Laerbeek 74
Laarbeeklaan 74
1090 Bruxelles – Brussel
Tel.: 070 222 141

Fax: 024 757 291
<mailto:bru-repairs@bshg.com>
www.bosch-home.be

BG Bulgaria

BSH Domakinski Uredi

Bulgaria EOOD
115K Tsarigradsko Chausse Blvd.
European Trade Center Building,
5th floor
1784 Sofia

Tel.: 02 892 90 47
Fax: 02 878 79 72
[mailto:informacia.servis-bg@
bshg.com](mailto:informacia.servis-bg@bshg.com)
www.bosch.home.bg

BH Bahrain, مملكة البحرين

Khalaifat Company
Manama

Tel.: 01 7400 553
<mailto:service@khalaifat.com>

BY Belarus, Беларусь

ООО "БСХ Бытовая техника"

тел.: 495 737 2961
<mailto:mok-kdhl@bshg.com>

CH Schweiz, Suisse, Svizzera, Switzerland

BSH Hausgeräte AG
Werkskundendienst für

Hausgeräte
Fahrweidstrasse 80
8954 Geroldswil
[mailto:ch-info.hausgeraete@
bshg.com](mailto:ch-info.hausgeraete@bshg.com)

Service Tel.: 0848 840 040
Service Fax: 0848 840 041
<mailto:ch-reparatur@bshg.com>

Ersatzteile Tel.: 0848 880 080
Ersatzteile Fax: 0848 880 081
<mailto:ch-ersatzteil@bshg.com>
www.bosch-home.com

CY Cyprus, Κύπρος

BSH Ikiakes Syskeves-Service
39, Arh. Makaanouri III Str.

2407 Egomi/Nikosia (Lefkosia)
Tel.: 7777 8007
Fax: 022 658 128
[mailto:bsh.service.cyprus@
cytanet.com.cy](mailto:bsh.service.cyprus@cytanet.com.cy)

CZ Česká Republika, Czech Republic

BSH domácí spotřebiče s.r.o.

Firemní servis domácích
spotřebičů
Pekařská 10b

155 00 Praha 5
Tel.: 0251 095 546
Fax: 0251 095 549
www.bosch-home.com/cz

DK Danmark, Denmark

BSH Hvidevarer A/S

Telegrafvej 4
2750 Ballerup

Tel.: 44 89 89 85
Fax: 44 89 89 86
[mailto:BSH-Service.dk@
bshg.com](mailto:BSH-Service.dk@bshg.com)
www.bosch-home.dk

EE Eesti, Estonia

SIMSON OÜ

Raua 55
10152 Tallinn
Tel.: 0627 8730
Fax: 0627 8733

<mailto:teenindus@simson.ee>

ES España, Spain

BSH Electrodomésticos

España S.A.
Servicio Oficial del Fabricante
Parque Empresarial PLAZA,

C/ Manfredonia, 6
50197 Zaragoza
Tel.: 902 245 255
Fax: 976 578 425
<mailto:CAU-Bosch@bshg.com>
www.bosch-home.es

FI Suomi, Finland

BSH Kodinkoneet Oy
Itälahdenkatu 18 A, PL 123

00201 Helsinki
Tel.: 0207 510 700
Fax: 0207 510 780

[mailto:Bosch-Service-
FI@bshg.com](mailto:Bosch-Service-FI@bshg.com)
www.bosch-home.fi
Lankapuhelimesta 8,28 snt/puhelu
+ 7 snt/min (alv 23%)
Matkapuhelimesta 8,28 snt/puhelu
+ 17 snt/min (alv 23%)

FR France

BSH Electroménager S.A.S.
50 rue Ardoin – BP 47
93401 SAINT-OUEN cedex
Service interventions à domicile:
01 40 10 11 00

Service Consommateurs:
0 892 698 010 (0,34 € TTC/mn)
mailto:soa-bosch-conso@bshg.com
Service Pièces Détachées et
Accessoires:
0 892 698 009 (0,34 € TTC/mn)
www.bosch-home.fr

GB Great Britain

BSH Home Appliances Ltd.
Grand Union House
Old Wolverton Road
Wolverton
Milton Keynes MK12 5PT
To arrange an engineer visit, to
order spare parts and accessories
or for product advice please visit
www.bosch-home.co.uk
or call
Tel.: 0844 892 8979*

*Calls from a BT landline will be charged at
up to 3 pence per minute. A call set-up fee
of up to 6 pence may apply.

GR Greece, Ελλάδα

BSH Ikiakes Siskeves A.B.E.
Central Branch Service
17 km E.O. Athinon-Lamias &
Potamou 20
14564 Kifisia
Πανελλήνιο τηλέφωνο: 181 82
(αστική χρέωση)
www.bosch-home.gr

HK Hong Kong, 香港

BSH Home Appliances Limited
Unit 1 & 2, 3rd Floor
North Block, Skyway House
3 Sham Mong Road
Tai Kok Tsui, Kowloon
Hong Kong
Tel.: 2565 6151
Fax: 2565 6681
mailto:bosch.hk.service@bshg.com
www.bosch-home.cn

HR Hrvatska, Croatia

BSH kućni uređaji d.o.o.
Kneza Branimira 22
10000 Zagreb
Tel.: 01 640 36 09
Fax: 01 640 36 03
mailto:informacije.servis-hr@
bshg.com
www.bosch-home.com/hr

HU Magyarország, Hungary

BSH Háztartási Készülék
Kereskedelmi Kft.
Háztartási gépek márkaszervize
Királyhágó tér 8-9
1126 Budapest
Hibabejelentés
Tel.: 01 489 5461
Fax: 01 201 8786
mailto:hibabejelentes@bsh.hu
Alkatrészrendelés
Tel.: 01 489 5463
Fax: 01 201 8786
mailto:alkatrészrendeles@bsh.hu
www.bosch-home.com/hu

IE Republic of Ireland

BSH Home Appliances Ltd.
Unit F4, Ballymount Drive
Ballymount Industrial Estate
Walkinstown
Dublin 12
Service Requests,
Spares and Accessories
Tel.: 01450 2655
Fax: 01450 2520
www.bosch-home.co.uk

IL Israel, ישראל

C/S/B Home Appliance Ltd.
Uliel Building
2, Hamelacha St.
Industrial Park North
71293 Lod
Tel.: 08 9777 222
Fax: 08 9777 245
mailto:csb-serv@zahav.net.il
www.bosch-home.co.il

IN India, Bhārat, भारत

BSH Customer Service Front Office
Shop No.4, Everest Grande,
Opp. Shanti Nagar Bus Stop,
Mahakali Caves Road, Andheri East
Mumbai 400093

IS Iceland

Smith & Norland hf.
Noatuni 4
105 Reykjavik
Tel.: 0520 3000
Fax: 0520 3011
www.sminor.is

IT Italia, Italy

BSH Elettrodomestici S.p.A.
Via. M. Nizzoli 1
20147 Milano (MI)
Numero verde 800 829 120
mailto:info@bosch-elettrodomestici.it
www.bosch-home.com/it

KZ Kazakhstan, Қазақстан

IP Turebekov Yerzhan
Nurmanovich
Jangeldina str. 15
Shimkent 160018
Tel.: 0252 31 00 06
mailto:evrika_kz@mail.ru

LB Lebanon, لبنان

Tehehi, Hana & Co.
Boulevard Dora 4043 Beyrouth
P.O. Box 90449
Jdeideh 1202 2040
Tel.: 01 255 211
mailto:Info@Tehehi-Hana.com

LT Lietuva, Lithuania

Senuku prekybos centras UAB
Jonavos g. 62
44192 Kaunas
Tel.: 0372 12146
Fax: 0372 12165
www.senukai.lt

LU Luxembourg

BSH électroménagers S.A.
13-15 ZI Breedeweues
1259 Senningerberg
Tel.: 26349 300
Fax: 26349 315
mailto:lux-service.electromenager@
bshg.com
www.bosch-home.com/lu

LV Latvija, Latvia

General Serviss Limited
Bullu street 70c
1067 Riga
Tel.: 07 42 41 37
mailto:bt@olimpeks.lv

Elkor Serviss
Brivibas gatve 201
1039 Riga
Tel.: 067 0705 20; -36
Fax: 067 0705 24
mailto:domoservice@elkor.lv
www.servisacentrs.lv

MD Moldova

S.R.L. "Rialto-Studio"
ул. Щуцева 98
2012 Кишинев
тел./факс: 022 23 81 80
mailto:bosch-md@mail.ru

ME Crna Gora, Montenegro

Elektronika komerc
Ul. Slobode 17
84000 Bijelo Polje
Tel./Fax: 050 432 575
Mobil: 069 324 812
mailto:ekobosch.servis@
t-com.me

MK Macedonia, Македонија

GORENEC
Jane Sandanski 69 lok.3
1000 Skopje
Tel.: 022 454 600
Mobil: 070 697 463
mailto:gorenece@yahoo.com

MT Malta

Oxford House Ltd.
Notabile Road
Mriehel BKR 14
Tel.: 021 442 334
Fax: 021 488 656
www.oxfordhouse.com.mt

**MV Raajjeyge Jumhooriyyaa,
Maldives**

Lintel Investments
Ma. Maadheli, Majeedhee Magu
Malé
Tel.: 0331 0742
mailto:mohamed.zuhuree@
lintel.com.mv

NL Nederland, Netherlands

BSH Huishoudapparaten B.V.
Taurusavenue 36
2132 LS Hoofddorp
Storingsmelding:
Tel.: 088 424 4010
Fax: 088 424 4845
mailto:bosch-contactcenter@
bshg.com

Onderdelenverkoop:
Tel.: 088 424 4010
Fax: 088 424 4801
mailto:bosch-onderdelen@bshg.com
www.bosch-home.nl

NO Norge, Norway

BSH Husholdningsapparater A/S
Grensesvingen 9
0661 Oslo
Tel.: 22 66 06 00
Fax: 22 66 05 50
mailto:Bosch-Service-NO@
bshg.com
www.bosch-home.no

NZ New Zealand

BSH Home Appliances Ltd.
Unit F 2, 4 Orbit Drive
Mairangi Bay
Auckland 0632
Tel.: 09 477 0492
Fax: 09 477 2647
mailto:bshnz-cs@bshg.com
www.bosch-home.co.nz

PL Polska, Poland

BSH Sprzęt Gospodarstwa
Domowego sp. z o.o.
Al. Jerozolimskie 183
02-222 Warszawa
Centrala Serwisu
Tel.: 801 191 534
Fax: 022 572 7709
mailto:Serwis.Fabryczny@bshg.com
www.bosch-home.pl

PT Portugal

BSHP Electrodomésticos Lda.
Rua Alto do Montijo, n° 15
2790-012 Carnaxide
Tel.: 707 500 545*
Fax: 214 250 701
mailto:bosch.electrodomesticos.pt@
bshg.com
www.bosch-home.pt
*(PT 0,10 €/min., Mobile 0,25 €/min)

RO România, Romania

BSH Electrocasnice srl.
Sos. Bucuresti-Ploiesti,
nr. 19-21, sect.1
13682 Bucuresti
Tel.: 021 203 9748
Fax: 021 203 9733
mailto:service.romania@bshg.com
www.bosch-home.ro

RU Russia, Россия

ООО "БСХ Бытовая техника"
Сервис от производителя
Малая Калужская 19/1
119071 Москва
тел.: 495 737 2961
mailto:mok-kdhl@bshg.com
www.bosch-home.com

SA Kingdom Saudi Arabia,

المملكة العربية السعودية
BSH Home Appliances
Saudi Arabia L.L.C.
Bin Hamran Commercial Centr.
6th Floor 603B
Jeddah 21481
Tel.: 800 124 1247
mailto:service.ksa@bshg.com
www.bosch-home.com/sa

SE Sverige, Sweden

BSH Hushållsapparater AB
Landsvägen 32
169 29 Solna
Tel.: 0771 11 22 77 local rate
mailto:Bosch-Service-SE@
bshg.com
www.bosch-home.se

SG Singapore, 新加坡

BSH Home Appliances Pte. Ltd.
TECHPLACE I and
Mo Kio Avenue 10
Block 4012 #01-01
569628 Singapore
Tel.: 6751 5000
Fax: 6751 5005
mailto:bshsgp.service@bshg.com
www.bosch-home.com.sg

SI Slovenija, Slovenia

BSH Hišni aparati d.o.o.
Litostrajska 48
1000 Ljubljana
Tel.: 01 583 07 01
Fax: 01 583 08 89
mailto:informacije.servis@
bshg.com
www.bosch-home.com/si

SK Slovensko, Slovakia

BSH domácí spotřebiče s.r.o.
Organizačná zložka Bratislava
Galvaniho 17/C
821 04 Bratislava
Tel.: 02 44 45 20 41
mailto:opravy@bshg.com
www.bosch-home.com/sk

TR Türkiye, Turkey

BSH Ev Aletleri Sanayi
ve Ticaret A.S.
Fatih Sultan Mehmet Mahallesi
Balkan Caddesi No: 51
34771 Ümraniye, İstanbul
Tel.: 0 216 444 6333*
Fax: 0 216 528 9188
mailto:careline.turkey@bshg.com
www.bosch-home.com/tr

*Çağrı merkezini sabit hatlardan aramanın
bedeli şehir içi ücretlendirme, Cep
telefonlarından ise kullanılan tarifeye göre
değişkenlik göstermektedir

TW Taiwan, 台灣

Achelis Taiwan Co. Ltd.
4th floor, No. 112 Sec 1
Chung Hsiao E Road
Taipei ROC 100
Tel.: 02 2321 6222
mailto:Bosch@achelis.com.tw

UA Ukraine, Україна

ТОВ "БСХ Побутова Техніка"
тел.: 044 490 2095
mailto:bsh-service.ua@bshg.com
www.bosch-home.com.ua

XK Kosovo

NTP GAMA
Rruga Mag Prishtine-Ferizaj
70000 Ferizaj
Tel.: 0290 321 434
mailto:a_service@
gama-electronics.com

XS Srbija, Serbia

BSH Kućni aparati d.o.o.
Milutina Milankovića 11^a
11070 Novi Beograd
Tel.: 011 205 23 97
Fax: 011 205 23 89
mailto:informacije.servis-sr@
bshg.com
www.bosch-home.rs

ZA South Africa

BSH Home Appliances (Pty) Ltd.
15th Road Randjespark
Private Bag X36, Randjespark
1685 Midrand – Johannesburg
Tel.: 086 002 6724
Fax: 086 617 1780
mailto:applianceserviceza@
bshg.com
www.bosch-home.com/za



☎ Beratung und Reparaturauftrag bei Störungen

D 0911 / 70 440 040

A 0810 / 550 511

CH 0848 840 040

Die Kontaktdaten aller Länder finden Sie im beiliegenden Kundenservice-Verzeichnis.



Bosch Home Appliance Group

P.O. Box 83 01 01

D-81701 Munich

Germany

www.bosch-home.com

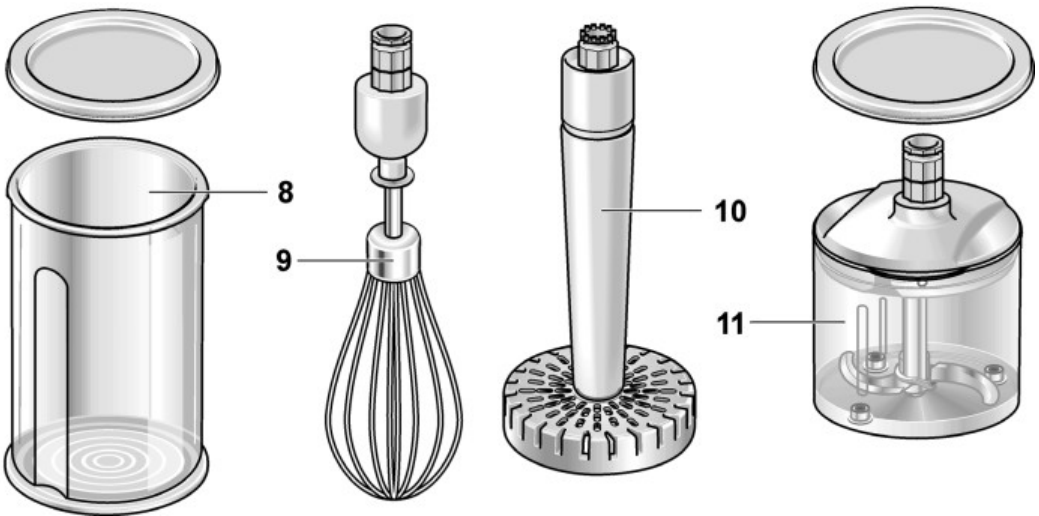
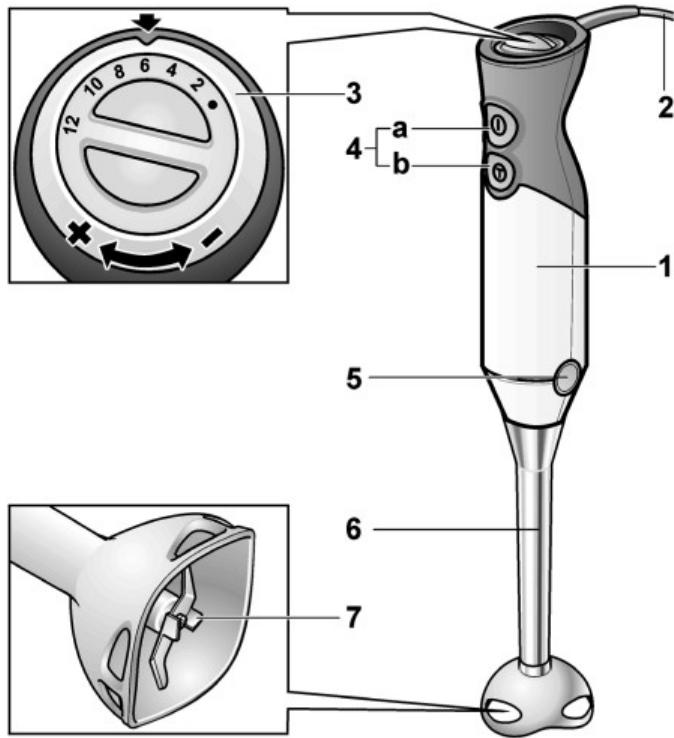


8001006840 (9409)

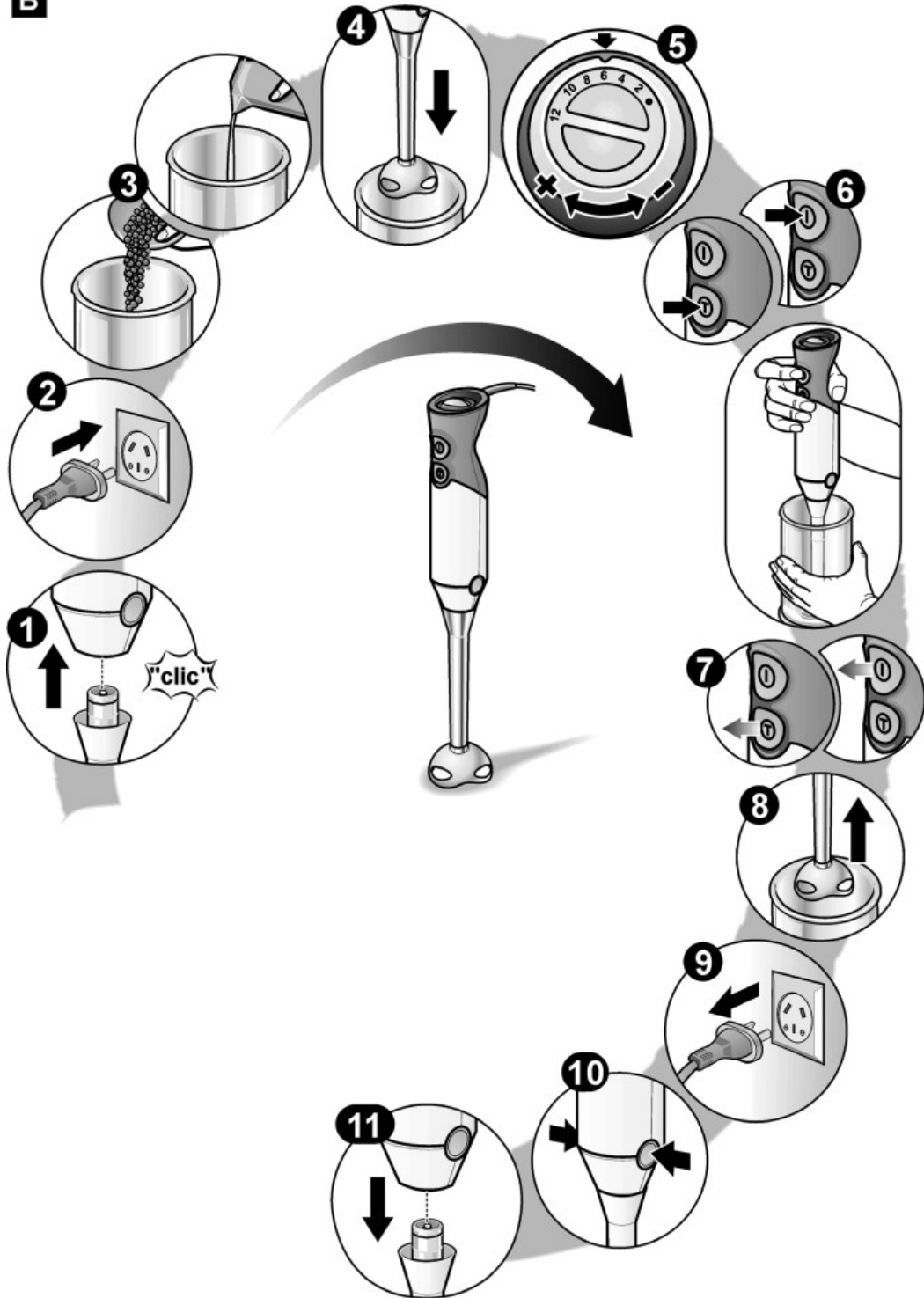
en


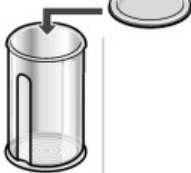

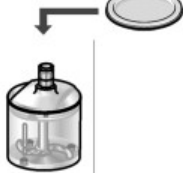





A



B



C							
MSM66120AU	X	X	X	X	X		
MSM66125AU	X	X	X	X	X		X
MSM67140AU	X	X	X	X	X		
MSM67160AU	X	X	X	X	X	X	