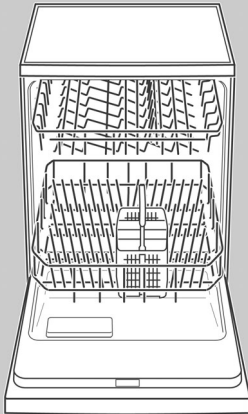


# BOSCH



en Instructions for Use

5600 050 398 (8206)

Internet:  
<http://www.bosch-hausgeraete.de>



## en Index

Safety instructions .....	3	Programme overview .....	15
Getting to know your dishwasher	4	Washing dishes .....	16
Water softener .....	5	Additional functions * .....	18
Filling the salt dispenser ....	6	Maintenance and care .....	19
Filling the rinse-aid container	7	Fault finding .....	20
Unsuitable dishes .....	8	Customer Service .....	23
Arranging crockery, glasses, etc. in the dishwasher .....	9	Information .....	23
Detergents .....	12	Installation .....	24

## Safety instructions

### Delivery

- Immediately check the packaging and dishwasher for any damage which may have been caused in transit. Do not use a damaged appliance, but consult your supplier.
- Please dispose of packaging material properly.
- The corrugated cardboard consists mainly of waste paper.
- The polystyrene moulded parts have been foamed without any CFCs.
- The polyethylene film (PE) consists partly of secondary raw material.
- The wooden frames (if fitted) are made of residual wood and are untreated.
- The hoops (if fitted) consist of polypropylene (PP).

### Installation

- Install and connect the appliance according to the installation and assembly instructions.
- The dishwasher must NOT be connected to the power supply during installation.
- Ensure that the protective conductor system of the domestic electricity supply has been installed correctly.
- Electrical connection conditions must correspond with the specifications on the rating plate of the dishwasher.
- Built-under and built-in appliances should always be installed under a continuous work surface which is attached to the adjacent cupboards, in order to ensure that the appliance is entirely stable.
- After the appliance has been installed, the mains plug should still be easily accessible.

## During normal use



### Warning

Knives and other utensils with sharp points must be loaded in the basket with their points down or in a horizontal position.

- Use the dishwasher solely in a domestic environment and for its designated purpose: washing household tableware and other utensils.
- Do not place any heavy objects or stand on the door when it is open. The appliance could tip forward.
- The water inside the dishwasher is not suitable for drinking.
- Do not use solvents of any kind inside your dishwasher. They could cause an explosion.
- Open the door very carefully if the dishwasher is operating. There is a risk of water squirting out.

### If your family includes children

- Do not permit small children to play with or operate the dishwasher.
- Keep children away from detergents and rinse-aids.
- Keep small children away from the open door of the dishwasher. There could still be some detergent left inside.

### If a fault occurs

- Repairs or other work on the dishwasher should only be carried out by a qualified specialist.
- The dishwasher must be disconnected from the electricity supply before any repairs or other work are started. Pull the mains plug out of the wall socket or switch off at the fuse box. Grasp the plug to remove it from the socket; do not tug on the cable. Turn the water off at the tap.

en

## When disposing of old appliances

- Appliances that have reached the end of their service life should be rendered inoperable in order to exclude the possibility of subsequent accidents. Pull the mains plug out of the wall socket, cut through the connecting cable and disable the door lock.
- Take the appliance to a designated waste disposal centre.



### Warning

Children could get locked in the appliance (risk of suffocation) or get stuck in other positions.

Therefore: Remove the mains plug, cut the mains wire and set aside. Damage the door lock so that the door can no longer be closed.

## Before using for the first time

The appliance was checked before it left the works. In order to remove possible water test remains, use the appliance for the first time **without any dishes**, using the highest temperature. Also fill salt, rinse aid and detergent in the filling compartments.

## Getting to know your dishwasher

Illustrations of the control panel and the interior of the dishwasher are shown on the rear fold-out cover of this manual. Fold this page out before you read the manual.

### Fascia

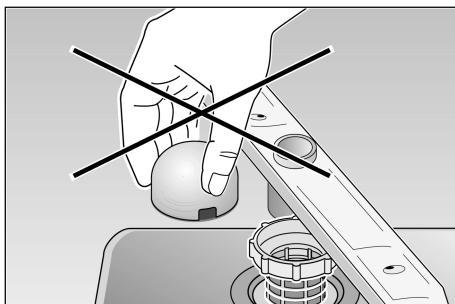
- 1 Programme selector / ON/OFF switch
- 2 Door opener
- 3 Overview of programmes\*
- 4 Standby indicator
- 5 Programme progress indicator
- 6 Programme end indicator
- 7 Salt refill indicator
- 8 START/STOP button
- 9 Timer programming \*
- 10 Rinse-aid refill indicator \*
- 11 Top basket washing \*  
\* some models

### Appliance interior

- 20 Top basket
- 21 Additional cutlery basket for the top basket \*
- 22 Top spray arm
- 23 Additional cup rack \*
- 24 Bottom spray arm
- 25 Float \*\*
- 26 Bottom basket
- 27 Salt dispenser
- 28 Filters
- 29 Cutlery basket
- 30 Dispenser for rinse-aid with refill indicator
- 31 Detergent dispenser
- 32 Catch
- 33 Rating plate

\* some models

\*\* The float ensures that the appliance interior is not overfilled. Only customer service may maintain, remove and install the float.



**You will need to purchase the following before using the dishwasher for the first time:**

- special salt for use in dishwashers
- detergent
- rinse-aid

Only use products, which are suitable for dishwashers.

## Water softener

In order to rinse dishes and glasses satisfactorily, the dishwasher requires soft water, i.e. containing little or no lime, otherwise water stains will be left behind on crockery and glasses, etc.

If the tap water exceeds a certain level of hardness, it must be softened, i.e. decalcified, so that it can be used in the dishwasher.

This is achieved by adding a special salt to the water softener inside the dishwasher.

The water softener, that is the required amount of salt, is set up according to how hard the tap water is.

## Setting up the water softener

(see introduction)

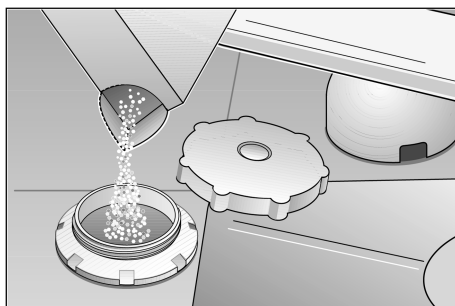
en

## Filling the salt dispenser

### Function of the salt

The salt removes the hardness-causing constituents from the tap water.

- Undo the screw cap on the dispenser **27**.
- Before switching on the appliance for the first time, pour approx. 1 litre / 1<sup>3</sup>/<sub>4</sub> pt of water into the salt dispenser.
- Add salt until the salt dispenser is full (max. 1.5 kg / 3.3 lb). The water or salt solution is displaced by the salt and overflows.
- The salt dispenser should always be refilled immediately before washing. This ensures that the overflowing salt solution is immediately washed out and does not remain on the floor of the appliance interior.
- Then remove salt residue from the filling area and screw down the dispenser without jamming the screw cap.



The LOW SALT indicator **7** on the front panel will light up initially but will extinguish again after a short period when the salt solution has become sufficiently concentrated.



If the switch is set to "0", it is not necessary to add any salt, as none is consumed while the dishwasher is operating. If the switch is set between "1" and "3", then salt must be added.



Do not pour detergent into the container for special salt. This would destroy the water softener.



### Salt refill indicator

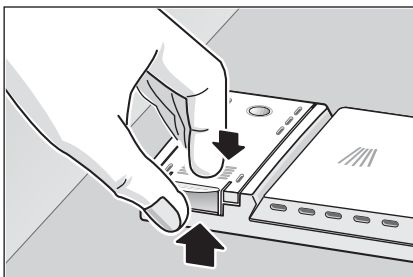
As soon as the salt refill indicator **7** is lit on the control panel, refill with salt immediately before the next rinse cycle.

## Filling the rinse-aid container

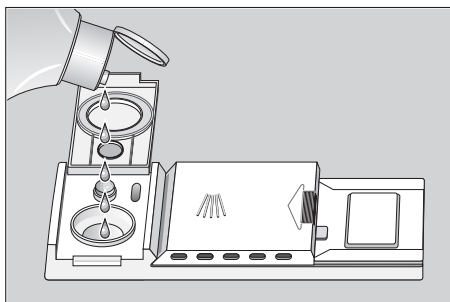
The purpose of a rinse-aid is to prevent the formation of water marks on tableware and utensils, and to ensure that glasses are clean and sparkling. The rinse-aid is consumed during the washing process.

- Fold back the lid on the rinse-aid container [30].

To open the lid, press the mark  on the rinse-aid lid and simultaneously lift the lid off the lug .



- Pour the rinse-aid into the filler hole until the level indicator turns dark.
- Close the lid, ensuring that you hear it snap closed.



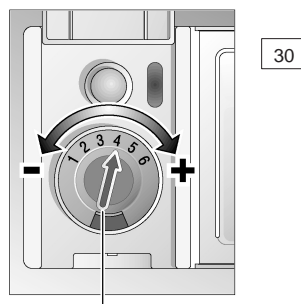
### Note

Use only rinse aid for domestic dishwashers. Spilt rinse aid may result in excessive foam formation in the next rinse cycle. Therefore, remove any spilt rinse aid with a cloth.

## Adjusting the amount of rinse-aid

The amount of rinse-aid added to the water can be varied by adjusting the stepless control. The rinse-aid control has been set to "4" in the factory.

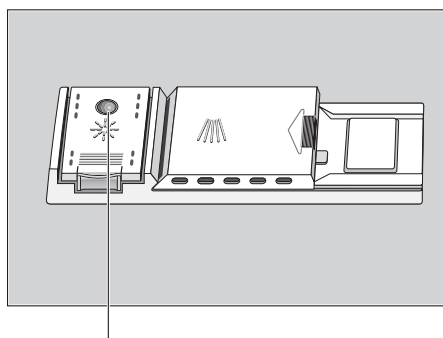
Do not alter the setting of the rinse-aid control unless streaks (turn knob towards "–") or water marks (turn knob towards "+") are left on the dishes.



rinse-aid control

## LOW RINSE-AID indicator

As long as the LOW RINSE-AID indicator on the dispenser [30] is dark, there is sufficient rinse-aid in the dishwasher.



LOW RINSE-AID indicator

en

## Unsuitable dishes

### You should not clean the following items in your dishwasher:

- Cutlery and dishes made of wood. They will leach out and become unsightly; the utilised adhesives are also not suitable for the dishwasher temperatures.
- Delicate décor glasses, craft dishes and vases, special antique or irreplaceable dishes. These décor items are not dishwasher-safe.

Plastic parts, copper and tin dishes sensitive to hot water are not suitable either. Overglazed patterns, aluminium and silver parts tend to become discoloured and fade during the rinsing cycle. Even some types of glass (e.g. crystal glass objects) may become cloudy after many rinse cycles. Completely absorbent materials, such as sponges and cloths must not be cleaned in the dishwasher either.

#### Recommendation:

In future buy only dishes which are identified as dishwasher-safe.



#### Note

Dishes which are soiled with ash, wax, lubricating grease or ink must not be cleaned in the dishwasher.

## Damage to glassware and other dishes

#### Possible causes:

- type of glass or manufacturing process
- chemical composition of detergent
- water temperature and duration of dishwasher programme.

#### Suggested remedy:

- Use glassware or porcelain dishes that have been marked 'dishwasher-proof' by the manufacturer.
- Use a mild detergent that is described as 'kind to dishes'. If necessary, seek further information from detergent manufacturers.
- Select a programme with as low a temperature and as short a duration as possible.
- To prevent damage, take glass and cutlery out of the dishwasher as soon as possible after the programme has ended.

## Arranging crockery, glasses, etc. in the dishwasher

### Loading the dishwasher

Scrape off any large amounts of left-over food. It is not necessary to rinse the dishes under running water.

Place objects in the dishwasher in such a way that

- items such as cups, glasses, pots/pans, etc. are stood upside down,
- curved items, or those with recesses, should be at a slant so that water can run off,
- they are stacked securely and cannot tip over,
- they do not prevent the spray arms from rotating while washing takes place.

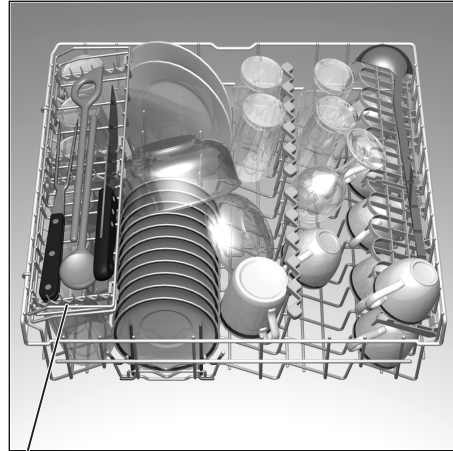
Very small items should not be washed in the dishwasher as they could easily fall out of the baskets.

### Removing the dishes

To prevent water dripping from the top basket onto the dishes in the lower basket, we recommend that you empty the lower basket first and then the top basket.

## Cups and glasses

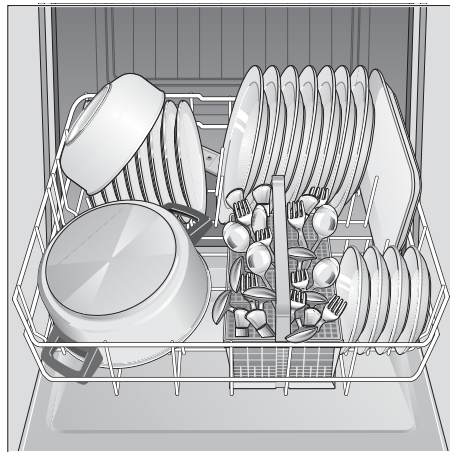
Upper basket [20](#)



\* on applicable models

## Pots and pans

Lower basket [26](#)



en

### Cutlery

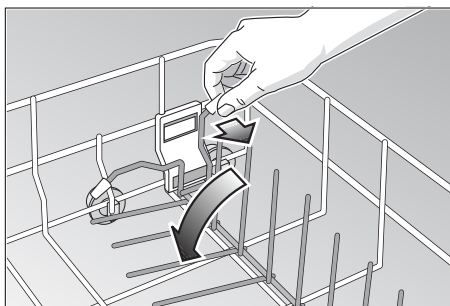
Cutlery should always be inserted in random order with the handles pointing downwards (take care with knife blades!). This enables the jet of water to reach the individual items more easily.

To prevent the risk of injury, place long and pointed implements and knives on the shelf (some models) or knife shelf (available as an accessory).

### Folding spikes \*

\* on applicable models

To improve stacking of pots and pans, the spikes can be folded down.



### Spray head for baking sheets \*

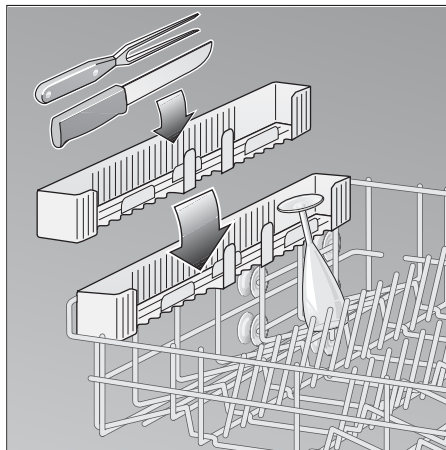
\* on applicable models

Please refer to the drawings enclosed in the envelope

Large baking sheets or grids can be cleaned with the aid of the special spray head. Remove the top basket and attach the spray head as shown in the drawing. Arrange the baking sheets as illustrated, so that the jet of water can reach all parts of them (max. 4 baking sheets and 2 grids).

### Knife rack \*

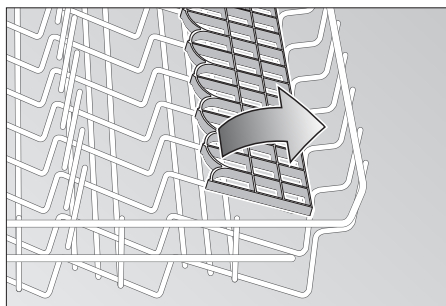
\* on applicable models



### Shelf \*

\* not on all models

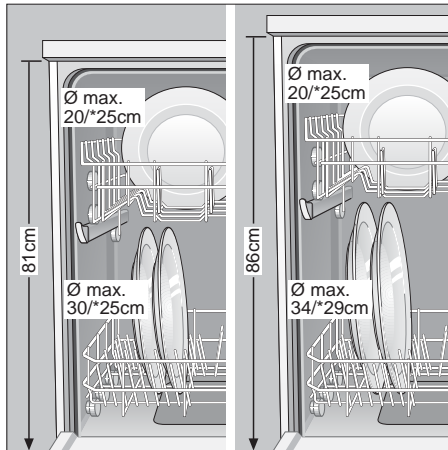
Lean tall glasses and those with long stems against the shelf – not against other items to be washed.



Long items, serving cutlery, salad servers or knives should be placed on the shelf so that they do not obstruct the rotation of the spray arms. The shelf can be folded back when not required for use.

## Adjusting position of basket \*

\* not on all models

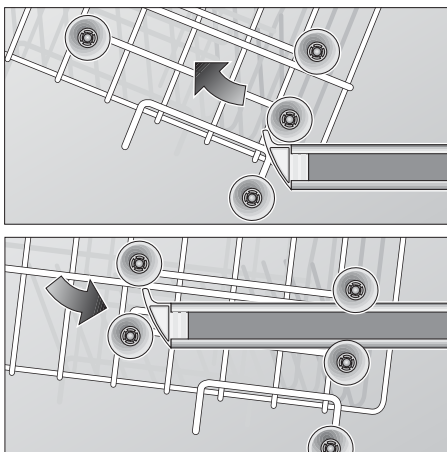


If required, the height of the top basket can be adjusted in order to create more space for large utensils either in the top or bottom basket.

Select one of the two following procedures according to the design of the top basket for your appliance model:

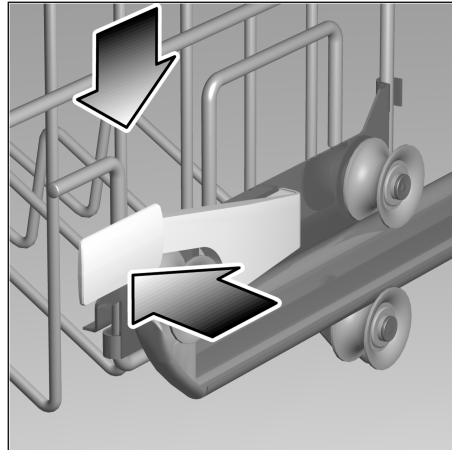
### Top basket with upper and lower roller pairs

- Pull out the top basket.
- Remove the top basket and re-attach it to the upper or lower rollers.



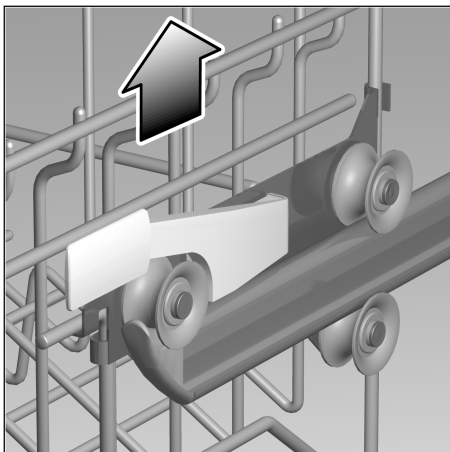
### Top basket with side levers (Rackmatic)

- Pull out the top basket.



- To lower the basket, press in succession the two levers on the left and right sides of the basket. Always take hold of the side of the basket on the upper edge, otherwise the basket will not drop smoothly (and may damage the utensils).

en



- To raise the basket, take hold of the basket on the upper edge and pull upwards.
- Before you re-insert the basket, ensure that it is at the same height on both sides. Otherwise, the appliance door cannot be closed and the upper spray arm will not connect to the water circuit.

## Detergents

### Information about detergents

You can use any brand of liquid or powder detergent, as well as tablets, that have been specifically designed for use in domestic dishwashers. (Do not use normal washing-up liquid!)

Nowadays there are three types of dishwasher detergent available:

1. those containing phosphates and chlorine,
2. those containing phosphates but no chlorine,
3. those containing neither phosphates nor chlorine.

When a phosphate-free detergent is used in conjunction with hard water, there is a greater possibility that white marks will be left behind on crockery and glasses, etc. These can be avoided by pouring an increased amount of detergent into the dispenser.

Chlorine-free detergents have a reduced bleaching effect. This can mean that tea stains are not completely removed or plastic items become discoloured.

This can be resolved by:

- selecting a higher temperature programme, or
- increasing the amount of detergent, or
- using a detergent that contains chlorine.

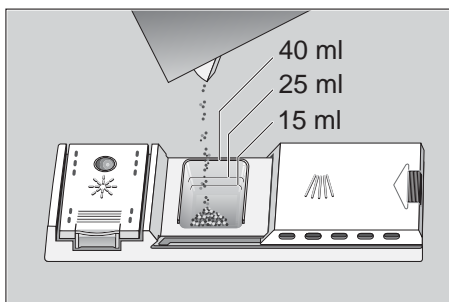
Check the label on the detergent packaging to determine whether a particular product is suitable for use with silverware.

If you have any further questions, we recommend that you contact the customer advice departments of the various detergent manufacturers.

## Detergent compartment with measuring marks

The side of the detergent compartment is marked with lines to help you determine how much powder to add.

The capacity of the detergent container is 15 ml up to the bottom line and 25 ml up to the middle line. When the compartment is full it contains 40 ml.



### Important

If the lid on the detergent compartment is closed, press the release lever to open the flap.

## Adding detergent

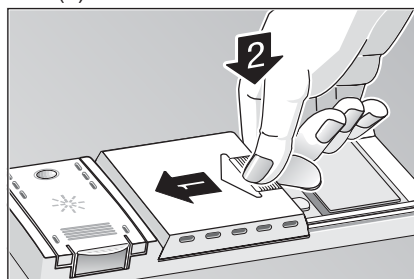
- Tip detergent powder into the corresponding compartment 31. Please observe the manufacturer's instructions printed on the detergent packaging when determining the correct dosage. When you select the INTENSIVE programme, tip an extra 10–15 ml of detergent onto the inside surface of the door.



### Reduce costs!

If your dishes are only moderately dirty, you may be able to use less detergent than recommended.

- Close the lid on the detergent compartment. Press down the lid (1) until it clicks shut (2).



- If you are using detergent in tablet form, read the manufacturer's recommendations on the packaging in order to determine where the tablets should be placed inside the dishwasher (e.g. in cutlery basket, detergent compartment, etc.). Make sure that the lid on the detergent compartment is closed, even if you are using tablets.

en

 **CAUTION**  
**IMPORTANT NOTE**  
**ON THE USE OF**  
**COMBINED CLEANING**  
**PRODUCTS**

Please note the following when using "combined cleaning products" which eliminate the need for a rinsing agent or salt, for example:

- Some products with a built-in rinsing agent are only used to their full effect in certain programmes.
- This type of product does not generally produce the desired effect with automatic programmes.
- Products which eliminate the need for regeneration salt can only be used within a certain water hardness range.
- If you wish to use these combined products, please read the instructions carefully and heed any notes on the packaging.

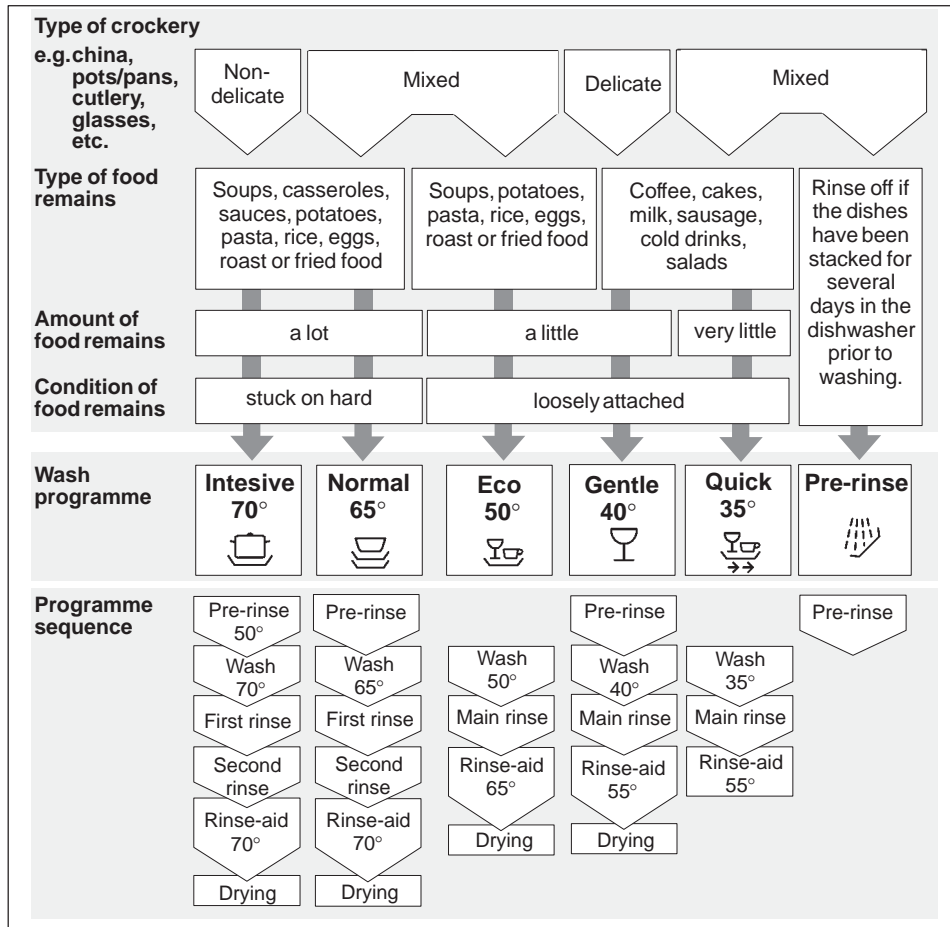
Contact the manufacturer of the cleaning agent if you have any questions, particularly if:

- the crockery is very wet once the programme has finished.
- limescale deposits are formed.

Any problems which arise as a direct result of the use of these products are not covered by our warranty.

## Programme overview

This overview lists the max. possible number of programmes. The programmes supplied with your appliance are indicated on the fascia.



en

## Programme selection

The most appropriate programme can be identified by comparing the type of crockery, cutlery, etc., as well as the amount and condition of food remains, with the details contained in the programme overview.



### Reduce costs!

If only a small number of dishes have been loaded into the dishwasher, selecting a programme that operates at the next lowest temperature will usually suffice.

## Programme specifications

The programme specifications can be found in the summary of instructions. Programme specifications refer to normal conditions. Greater deviations may occur due to:

- varying amounts of dishes
- water supply temperature
- water pipe pressure
- ambient temperature
- mains voltage tolerances
- and the tolerances specific to the appliance (e.g. temperature, amount of water, etc.)

The water consumption values refer to a set water hardness value of 2.

## Washing dishes

### Switching on the appliance and selecting the programme

- Turn on the tap fully.
- Rotate the programme selector  to the desired programme. The appliance is now switched on and the Standby indicator  lights up. You can now start the programme.

### Starting the programme

Press the START/STOP button . The Standby indicator  goes out and the Programme progress indicator  lights up. The programme is executed.

### End of programme

The programme ends when the Programme progress indicator  has gone out and the End-of-programme indicator  illuminates. When the programme ends, the "Top basket washing" function is de-activated if required (only some models).

Several minutes after the programme has ended:

- Open the appliance door.
- Wait until the dishes have cooled down and then remove.

When the programme has ended, you can either switch off the appliance or restart it with the same or another programme.

### Switching off the appliance

- Several minutes after the programme has ended, rotate the programme selector  to the OFF position.
- Close the tap (not applicable if Aquastop fitted).

### Interrupting the programme

- Press the START/STOP button **[8]**. The Programme progress indicator **[5]** flashes, i.e. the programme has been interrupted.
- You can now open the appliance door to add more dishes, for example.
- As soon as the door is closed, the programme continues automatically. If there is a hot-water connection or if the appliance has already heated up, leave the door open slightly for several minutes before closing it. Otherwise, the door may jump open due to expansion.
- If you did not open the door, press the START/STOP button **[8]** to continue the programme.

When the door is closed, the programme can be interrupted for a maximum 9 hours. Then the programme continues automatically.

### Terminating the programme

- Press the START/STOP button **[8]** for approx. 3 seconds.
- The programme progress indicator **[5]** goes out. The programme is terminated. If required, the "Top basket washing" or "Timer programming" function (only some models) is also de-activated.
- The End-of-programme indicator **[6]** flashes for approx. 1 minute and the water is drained at the same time. In order not to terminate the pumping process, you should leave all settings unchanged and the door closed while the indicator is flashing.
- When the pumping process has ended, the End-of-programme indicator **[6]** goes out and the Standby indicator **[4]** lights up. You can now restart or switch off the appliance.

### Changing the programme

You can change the programme at any time (except in the drying section of the programme) simply by rotating the programme selector **[1]**.

Sections of the previous programme (e.g. cleaning) which have already begun end before the new programme continues with the next sections.

If the timer programming has been activated (only some models), the time continues counting down unchanged.

en

## Additional functions \*

\* on applicable models

### Top basket washing\*

Use this function only if you have to wash a few dishes. This will save you energy and water.

- Load the top basket only, the bottom basket must be empty.
- Add slightly less detergent than is recommended for a full load.
- Select the programme and switch on "Top basket washing" by pressing the button **[11]**. The associated indicator lights up.
- "Top basket washing" is switched off by pressing the button **[11]** again or when the programme ends or is terminated.

"Top basket washing" can be switched on and off at any time, even while a programme is running.

### Timer programming\*

You can delay the start of the programme by 3 or 9 hours.

- Select a programme.
- Press the Timer programming button **[9]** once (3 hours) or twice (9 hours).
- Several seconds after the time has been set or after pressing the START/STOP button **[8]**, the time begins to count down; the corresponding time is displayed until the programme starts. After 6 hours the 9-hour indicator changes to the 3-hour indicator.
- When the set time has elapsed, the programme starts automatically.
- To interrupt the count-down, press the START/STOP button **[8]**. To continue the count-down, press this button again.
- If the appliance door is opened, the count-down is not interrupted.
- To cancel the timer programming, press the Timer programming button **[9]** until none of the time indicators is illuminated. The selected programme then starts a few seconds later.



#### Note

If the power supply is disconnected while the appliance is operating, e.g. by switching off the appliance or due to a power failure, all settings remain stored. Operation continues automatically as soon as the power supply is restored.

## Maintenance and care

You can help prevent faults by checking and maintaining your appliance regularly. This will save time and reduce problems. Therefore you should occasionally examine the inside of your dishwasher.

### Overall condition of the appliance

Check the rinsing compartment for grease and limescale deposits.

If you find any deposits:

- Fill the detergent dispenser with detergent. Start the empty appliance with the programme which has the highest rinsing temperature.

Clean the door seal:

- Wipe the door seal regularly with a damp cloth and remove any deposits.

### Dishwasher salt

Check the LOW SALT indicator [27](#). Top up with salt, if required.

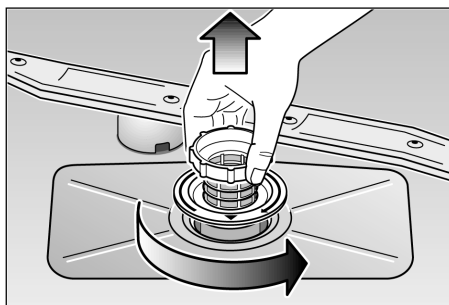
### Rinse-aid

Check the level of liquid in the rinse-aid container [30](#). Top up with rinse-aid, if required.

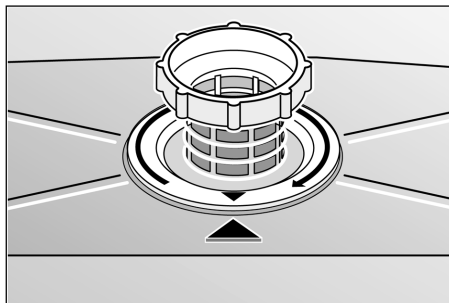
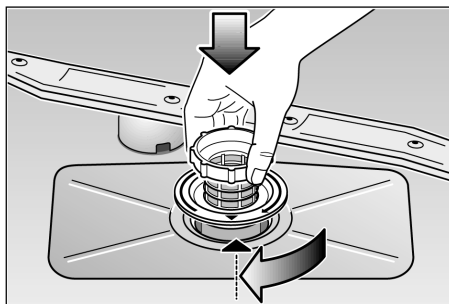
### Filters

The filters [28](#) keep large foreign objects in the rinsing water away from the pump. These foreign objects may occasionally block the filters.

- After each washing cycle check the filters for residue.
- Unscrew the filter cylinder and remove the filters. The filters are permanently attached to each other and cannot be dismantled.
- Remove large foreign objects. Clean the filters under running water.



- Re-installation:  
Insert the filters and screw the filter cylinder tight.

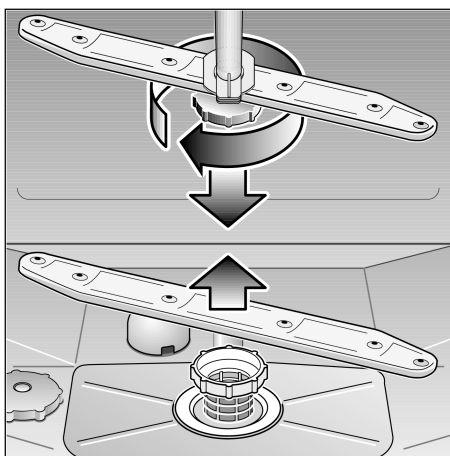


en

## Spray arms

Lime and remnants of food in the washing water can block the nozzles in the spray arms [22] and [24] and the arm mountings .

- Inspect the nozzles in the spray arms for blocked holes due to remnants of food.
- If necessary, pull the lower arm [24] upwards and lift it off.
- Unscrew the upper spray arm [22] .
- Clean both spray arms under running water.
- Refit the spray arms. Ensure that the lower arm has locked into place and the upper one is screwed tight.



Spray arms

## Fault finding

### Resolving minor problems yourself

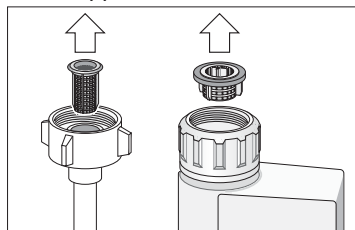
Experience has shown that you can resolve most problems that arise during normal daily usage yourself, without having to call out a service engineer. Not only does this save costs, but it also means that the appliance is available for use again that much sooner. The following list of common occurrences and their remedies should help you identify the causes of most problems.

### Problems ...

#### ... when the appliance is switched on

- **The appliance does not start.**
  - The mains fuse has tripped.
  - The appliance plug has not been inserted.
  - The appliance door has not been shut properly.
  - The tap has not been turned on.
  - The filter on the water supply hose is blocked.

Switch off the appliance and pull out the mains plug. Turn off the tap. Then clean the filter which is situated at the connection of the supply hose. Finally, restore the power, turn on the tap and switch on the appliance.





### Warning

Remember:  
The appliance may be repaired by a technician only. Improper repairs may cause considerable damage and/or injure the user.

### ... with the appliance itself

- **Lower spray arm rotates with difficulty**
  - Spray arm is blocked by small items or food remains.
- **Lid in detergent compartment cannot be closed**
  - Detergent compartment has been overfilled.
  - Mechanism is clogged with remnants of detergent. Indicator lamps do not extinguish after washing has finished.
- **Remnants of detergent stuck inside dispenser**
  - Compartment was damp when it was filled up with detergent. Compartment must be dry before detergent is added.
- **Water remains inside appliance after programme has ended**
  - Blockage or kink in drainage hose.
  - Pump is jammed.
  - Filters are blocked.
  - The programme is still running. Wait for the programme to end.

### ... during washing

- **Unusual amount of foam is created**
  - Normal washing up liquid has been poured into the rinse-aid container.
  - Remove any spilled rinse aid with a cloth as it could otherwise lead to excessive foaming during the next washing cycle.
- **Appliance stops suddenly while washing is taking place**
  - Cut in electricity supply to appliance.
  - Water supply has been interrupted.
- **Knocking sound can be heard while washing is taking place**
  - A spray arm is knocking against the dishes inside the appliance.
- **Rattling sound can be heard while washing is taking place**
  - Crockery has not been stacked properly inside the appliance.
- **Knocking sound coming from inlet valves**
  - This is caused by the way the water pipes have been laid and it has no effect upon the way the appliance functions. There is no remedy for this.

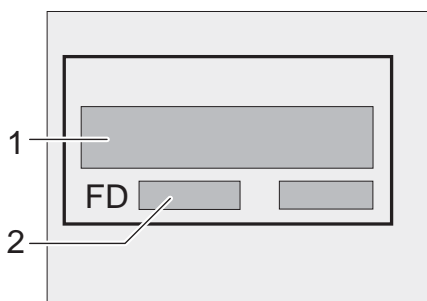
en

**... with the dishes, cutlery, etc.**

- **Remnants of food are stuck to the dishes, cutlery, etc.**
  - Dishwasher was not loaded properly. Jets of water could not reach all parts of the dishes, etc.
  - Too many items in the rack.
  - Items in the rack were touching each other.
  - Not enough detergent was added to dispenser.
  - Selected wash programme was not intensive enough.
  - Rotation of spray arm was obstructed by dish, etc.
  - Nozzles in spray arm are blocked by remnants of food.
  - Filters are blocked.
  - Filters have been incorrectly fitted.
  - Waste-water pump is jammed.
- **Plastic items are discoloured**
  - Not enough detergent was added to dispenser.
- **White stains are left on crockery, glasses have a milky appearance**
  - Not enough detergent was added to input compartment.
  - Amount of rinse-aid was set too low.
  - Although water is quite hard, no salt has been put in appliance.
  - Water softener was set too low.
  - Lid on salt container is not screwed tight.
  - If you used a phosphate-free detergent, try a detergent containing phosphates and compare results.
- **Dishes, cutlery, etc. have not been dried**
  - Selected programme did not include drying function.
  - Amount of rinse-aid was set too low.
  - Items were removed from dishwasher too soon.
- **Glasses have a dull appearance**
  - Amount of rinse-aid was set too low.
- **Tea stains or traces of lipstick have not been completely removed**
  - Detergent does not have a sufficient bleaching effect.
- **Traces of rust on cutlery**
  - Cutlery is not sufficiently rustproof.
  - Salt content in washing water is too high.
    - Lid on salt container is not screwed tight.
    - Too much salt was spilt while filling container.
- **Glasses become clouded and discoloured; coating cannot be wiped off**
  - Unsuitable detergent was used.
  - Glasses are not dishwasher-proof.
- **Smears left behind on glasses and cutlery; glasses have acquired a metallic appearance**
  - Amount of rinse-aid set too high.

## Customer Service

Please call your local service agent, if you are not able to resolve any problem yourself. The name of your nearest service agent is shown in the Customer Service address list. When you call, please provide details of the model number (1) and the production (FD) number (2) which are shown on the nameplate on the appliance door.



### Warning

Please note that a visit by the customer service technician in the event of a fault or one of the problems previously discussed is not free of charge even during the warranty period.

## Information

### Disposal

Old appliances are not worthless rubbish. Valuable raw materials can be reclaimed by recycling old appliances.

Pull out the mains plug of the redundant appliance. Cut off the power cord and discard with mains plug.

To prevent children from locking themselves in the appliance and suffocating, destroy the door lock and childproof lock (if fitted).

You received your new appliance in a protective shipping carton. All packaging materials are environmentally friendly and recyclable.

Please contribute to a better environment by disposing of packaging materials in an environmentally-friendly manner. All plastic parts of the appliance are identified by internationally standardised symbols (e.g. >PS< polystyrene).

When the appliance is being disposed of, the plastic waste can be sorted for environmentally-friendly recycling.

Please ask your dealer or inquire at your local authority about current means of disposal.

Keep children away from shipping carton and packaging components. Danger of suffocation from folding cartons and plastic film.

### Notes on comparison tests

You will find details of the conditions for the comparison tests on the additional "Notes on comparison tests" sheet. The consumption values for the relevant programmes are given in the introduction.

en

## General

- Built-under and integrated appliances which are subsequently installed as free-standing appliances must be secured to prevent them from falling over, e.g. by screwing them to the wall or by installing them under a continuous worktop which is screwed to the adjoining units.
- For Swiss version only:  
The appliance can be installed without difficulty between wooden and plastic walls in a kitchen range. If the appliance is not connected via a plug, the installation side must feature an all-pole disconnecter with a contact gap of at least 3 mm in order to satisfy the relevant safety regulations.

## Installation

The dishwasher must be connected by a qualified technician to ensure correct operation. The specifications for supply, drainage and connected load must fulfil the required criteria as stated in the following paragraphs or in the installation instructions.

Install the appliance in the following sequence:

- Check the delivery
- Install the appliance
- Connect the waste water
- Connect the fresh water
- Connect the power supply

## Delivery

Your dishwasher was checked at the factory to ensure that it was in perfect working order. This may have left some small water stains in the dishwasher. These will disappear after the first rinse cycle.

## Installation

The required installation dimensions can be found in the installation instructions. Using the height-adjustable feet, adjust the appliance until it is level. Ensure that the appliance is standing firmly.

## Waste water connection

See the installation instructions for the required connection steps. If required, attach a siphon with drainage spigot. Using the enclosed parts, connect the waste water hose to the drainage spigot of the siphon.

Ensure that the drainage hose is not kinked, crushed or twisted (ensure that there is no sealing cover which prevents the waste water from flowing away!).

## Fresh water connection

Using the enclosed parts, connect the fresh water connection to the tap according to the installation instructions. Ensure that the fresh water connection is not kinked, crushed or twisted.

When replacing the appliance, always connect a new water supply hose to the water supply. The old supply hose must not be re-used.

Ensure that the fresh water connection is not kinked, crushed or twisted.

### Water pressure:

Minimum 0,5 bar – maximum 10 bar.  
If the water pressure is higher, install a pressure reducing valve.

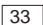
### Flow rate:

Minimum of 10 litres per minute.


### Water temperature:

We recommend cold water connection only.

## Electrical connection

This appliance should only be connected to a 230/240 V AC source via a properly installed earthed socket. See nameplate  for size of required fuse.

The socket must be installed close to the dishwasher.

If the domestic wiring includes a residual-current-operated (FI) circuit-breaker, make sure that it bears the  mark, as only this type conforms to the latest regulations

## Disconnecting the dishwasher

Here too, it is important that tasks are carried out in the correct sequence: always unplug the appliance from the mains electricity first of all.

Pull plug out of wall socket.

Turn off water supply.

Disconnect drain and water input hoses.

Remove screws in underside of work surface. Detach base board, if fitted.

Pull out appliance and carefully withdraw hoses at same time.

## Transporting the dishwasher

Drain water from the dishwasher. Secure all loose parts. The appliance should only be transported in an upright position.

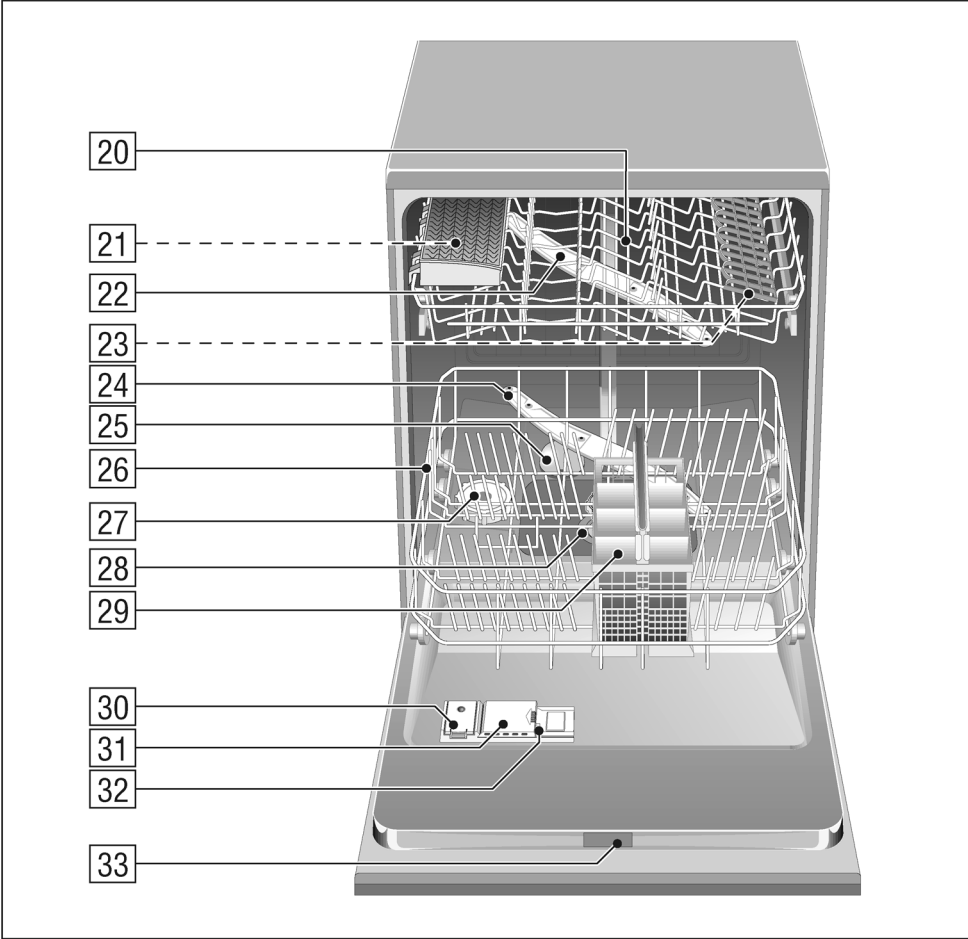
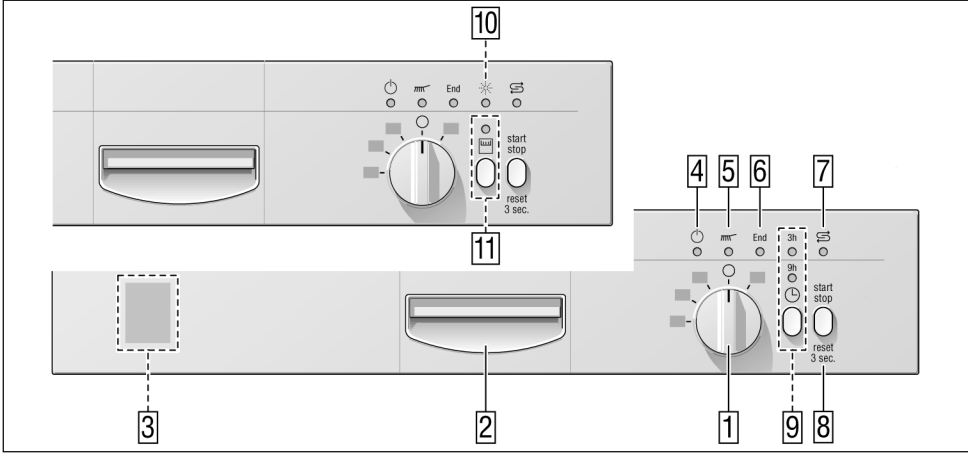
- If the appliance is not kept upright during transport, any water left inside may seep into the control module and cause subsequent errors with programme functions.

## Protection from freezing temperatures

If the appliance is installed in a location where there is a risk of freezing temperatures (e.g. in a holiday home), all water must be completely drained out of the interior.

Turn OFF the tap, disconnect the supply hose and allow to drain.







en

## AQUA-STOP Warranty.

(not applicable to appliances without Aqua-Stop)

In addition to warranty claims against the seller based on the sales agreement and in addition to our appliance warranty we shall replace the appliance under the following conditions:

1. If damage is caused by water due to a malfunction of our Aqua-Stop system, we shall make good the damage in the case of private consumers.
2. This liability warranty is valid for the service life of the appliance.
3. The warranty claim is subject to correct installation and connection of the appliance in accordance with our instructions. "This also includes correct installation of the Aqua-Stop extension (original accessory)." Our warranty does not cover defective supply lines or fittings up to the Aqua-Stop connection on the tap.
4. In principle, it is not necessary to monitor an appliance fitted with Aqua-Stop during operation or to secure it afterwards by turning off the tap. You should only turn off the tap if you are absent from home for a prolonged period, e.g. on holiday for several weeks.

**Bosch Info-Team:**  
**DE Tel. 0180 / 5 30 40 50** (EUR 0,12/Min. DTAG)  
**AT Tel. 0660 / 59 95**

**Internet:**  
**<http://www.bosch-hausgeraete.de>**

5 600 050 398 en (8206)  
600K