

Invented for life



**BOSCH**

# Kitchen Experience and Design Guide

Volume 13





# Table of Contents

Bosch in Every Detail	4
Design Philosophy	10
Discover Bosch Benchmark™ Series	12
Black Stainless Steel Collection	14
Small Space Living	16
Home Connect®	18
Sustainability	20
Digital Tools	22
Cooktops & Rangetops	24
Built-in Wall Ovens	58
Microwaves & Warming Drawers	96
Coffee & Espresso Machines	118
Ranges	128
Ventilation	154
Dishwashers	198
Refrigeration	228
24" Compact Laundry	268
Experience Bosch	278
Customer Service	280
Warranty	282
Spec Sheet Download Tool	284





# The kitchen is more than a place to cook.

No place means home more than the kitchen. It's where we gather with family and friends, exhale after a long day, and savor so many of life's simple moments.

Through our products, we strive to enhance the daily quality of everyday lives. Believing that a cooktop should be a recipe for ease. That the joy of simplicity is anything but minimal. And that it's important to sometimes stop and smell the rosemary carrots. These are the true hallmarks of Bosch quality. These are the details to savor.





# Quality that holds true.

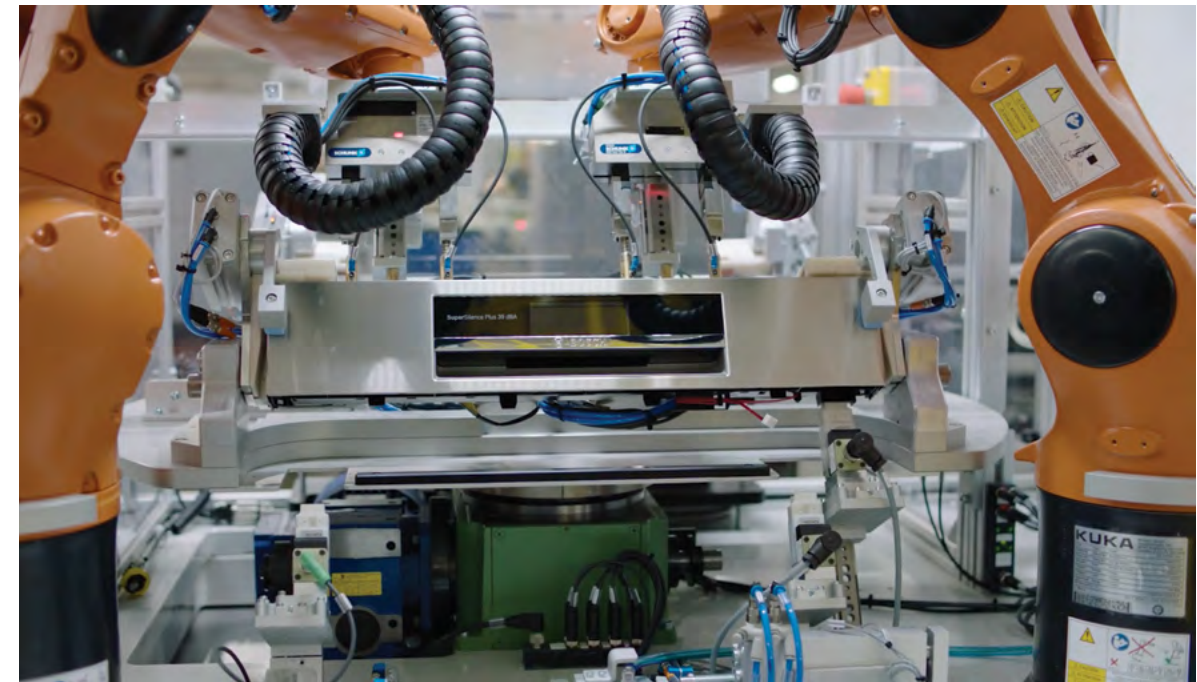
From the feel of an oven handle, to the quiet of a dishwasher, to the ease of a cooktop, we believe the products we use and interact with every day can enhance the daily quality of your life. It's these small details, obsessed upon by our engineers and repeatedly tested in our factory, that manifest as the tangible difference of Bosch quality.

## America's Most Trusted® Kitchen Brand 2019–2024\*

At Bosch, every detail of our products is designed for quality and with the consumer experience in mind.

We're honored to be trusted by you and promise to always deliver lasting products that bring effortless ease and timeless style to your kitchen.

\*Bosch received the highest numerical score in the proprietary Lifestory Research 2019, 2020, 2021, 2022, 2023 and 2024 America's Most Trusted® Kitchen Brand study. Your experiences may vary. Visit [lifestoryresearch.com](https://lifestoryresearch.com)



## 485 quality checks

Every dishwasher must pass 485 quality checks—including running every single one with water—before leaving the factory. So you can rest assured that your dishwasher is built to withstand whatever life throws your way.





# Bosch design philosophy.

These are the principles that guide every Bosch product.

For over 100 years, Bosch appliances have embraced a tradition of timeless design that's both purposeful and beautiful. We see the beauty in simple, streamlined aesthetics that result from how our products are actually used.

## 1 Form + Function

Bosch design is equally purposeful and beautiful, creating a lasting and rewarding user experience.

## 2 Symmetry

Balanced, symmetrical lines offer a timeless look that's pleasing to the eye and offers a distinctive family appearance.

## 3 Proportions

The harmonious arrangement of varying elements results in a sophisticated, well-balanced design.

## 4 Materials

The use of premium materials makes our appliances visually arresting and offers a tactile sense of quality that you can feel.

## 5 Illumination

Subtle, purposeful illumination enhances usability while creating an emotional connection.



## 6 Color Palette

From classic black and white, to metallic tones and red/white accent lighting, our affinity for neutral colors helps seamlessly blend our appliances into a range of kitchens.

## 7 Alignment

Flush, well defined surface contours, unified design elements, and tight panel gaps indicate an elevated level of engineering precision.

## 8 Subtlety

Subtle, thoughtful details delight the user in unexpected ways and improve the overall experience of our appliances.

## 9 Integration

From kitchen designs ranging from modern to transitional, Bosch appliances naturally integrate with any style.

## 10 Longevity

With enduring, timeless design and lasting quality, every Bosch appliance beautifully withstands the test of time.



# The pinnacle of Bosch design and performance.

The Bosch Benchmark™ Series.

Our Benchmark™ Series features signature products like built-in refrigeration, SideOpening wall ovens, and FlexInduction™ cooktops. Designed as a suite or alone, our Benchmark™ Series is sure to beautifully complement any kitchen.

## A SideOpening Door that's a Recipe for Ease

Our Benchmark® SideOpening oven provides easier access to the oven cavity. Installs vertically or horizontally for a flush, seamless look in your kitchen.



## Interior Dishwasher Light

A bright white interior light adds an aesthetic accent in the dishwasher and makes loading easier in dim lighting.

## FlexInduction™ Cooktop

Provides more flexibility by combining two cooking zones into one larger zone.



# Make a statement without leaving a mark.

## Bosch Black Stainless Steel Collection

Behold a daring new way to design your kitchen. Built with the quality you expect from Bosch in a contemporary style, the collection is strong, sturdy, and sleek. Our black stainless steel appliances are made from a special material, not simply a black foil coating, to help guard against scratches and fingerprints and maintain their bold look.





# Explore Small Space Appliances.

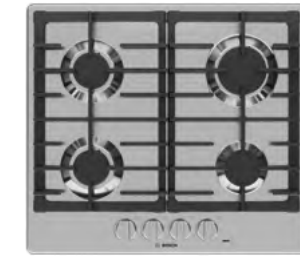
Small space living is no longer seen as a sacrifice or compromise. More and more, people are choosing smaller-scale living out of desire, rather than need. Designing for small spaces, especially kitchens, lends itself to embracing the beauty of simplicity and efficiency. Clean, uncluttered lines. Easy aesthetics. And smaller-scaled appliances designed in correct proportions, create balance and harmony within the surrounding space.

Bosch's suite of 18" and 24" appliances are specifically designed to fit downscaled living, without sacrificing upscale tastes. Premium in every way, Bosch small scale appliances feature the quality and performance you'd expect in full-size appliances.



## 24" Cooktops

Bosch 24" Cooktops are available in gas, electric or induction, and are ideal for any small space kitchen. The induction cooktop features a large, 11" cooking zone with 3700W of power for speed and precise results, and a sleek frameless design. The gas cooktop has four powerful high efficiency burners allowing you to cook multiple dishes with a full range of BTU performance.



24" Gas cooktop NGM5453UC



24" Induction cooktop NIT5460UC

## 24" Ventilation

Bosch 24" Ventilation is available in a Pull-Out Hood or Chimney Wall Hood. All Ventilation options use 300-400 CFM blowers. Chimney design option creates an inspiring focal point in the kitchen, or the sleek pull-out hood can be closed when not in use.



24" Chimney Hood HCP34E52UC



24" Wall oven HBE5453UC

## 24" Wall Oven, Speed Oven & Drawer Microwave

Offering Convection Multi-Rack for even baking, the Bosch 24" Wall Ovens feature multiple cooking modes for a variety of methods to get crispy results from frozen foods, or a perfectly browned fresh roast. The 24" Speed Oven pairs the cooking qualities of a conventional oven with the speed of a microwave, and SpeedChef® mode calculates the fastest cook time for best results. A 24" Drawer Microwave is designed to be installed flush with your cabinetry.



18" Dishwasher SPX68C75UC



24" Speed Oven HMC54151UC

## 18" Dishwashers

Bosch 18" Dishwashers feature thoughtful innovations such as a third rack, a RackMatic® height adjustment system, AquaStop® Plus Leak Protection, and CrystalDry™ on select models. The 18" Dishwashers are ADA compliant and are available in a variety of handle options such as bar, recessed and custom panel ready.

## 24" Refrigerators

Bosch 24" refrigerators offer industry leading efficiency and fit small spaces with a sleek sophistication, featuring hidden hinges and reversible doors, allowing for next to wall placement and flush installation. These true counter-depth refrigerators are available in a variety of styles and finishes—including stainless steel, luxurious black or white glass and custom panel. Foods stay fresher with adjustable humidity in the VitaFresh drawer, creating the optimal environment for your fruits and vegetables.

## 24" Compact Laundry

Small goes beyond the kitchen, too. Bosch 24" Compact Washers and Dryers deliver ultra-quiet performance and energy efficiency. All Bosch laundry units are ENERGY STAR® certified, with the new 500 and 800 series laundry pairs awarded the most efficient mark in 2024. The laundry pairs can be installed stacked, side-by-side, under counter, or on pedestals. And with no venting required for the dryer, the models can be installed almost anywhere in the home.



24" Refrigerator B24CB80ESS

24" Dryer WQB245B0UC  
24" Washer WGB24600UC

# Enhance your kitchen with smart appliances.

Bosch is satisfying the ever-growing desire for a smart, connected home with a collection of connected appliances that bring the design, innovation, and efficiency you'd expect from Bosch. Home Connect® is the intelligent platform that allows a variety of Bosch home appliances to be remotely monitored and controlled through the mobile app, voice control or smartwatch, for a new level of ease and convenience.

From remotely starting the dishwasher or washer at work, to keeping an eye on dinner and receiving status notifications, to brewing a frothy latte from bed, Home Connect® allows effortless control. With a variety of partner applications, such as Amazon Alexa and Google Home, simplify your tasks and take the worry out of everyday life.

Home Connect® works with:



# Healthy home. Healthy planet.

## ENERGY STAR® 2024 Partner of the Year

Bosch ENERGY STAR® certified appliances are designed with real life in mind. That's why we strive to deliver the latest energy and money-saving features that help families and protect the environment. These efforts are essential to maintaining the health of the planet, as well as the health of your home. When you choose the quality of Bosch, you also choose sustainably-minded appliances that are designed to last for years to come.



We've innovated groundbreaking, eco-friendly features for each appliance to create industry leading products that are more efficient than the federal minimum energy efficiency standard\*.

\*Source: U.S. EPA Consumer Messaging Guide for ENERGY STAR® Certified Appliances, December 2019.

## Refrigerators

We've engineered high-efficiency compressors, Eco Mode, LED lighting, and Vacation Mode for improved energy consumption. ENERGY STAR® certified refrigerators are about 9% more energy efficient than models that meet the federal minimum energy efficiency standard.\*

\*Source: U.S. EPA Consumer Messaging Guide for ENERGY STAR® Certified Appliances, December 2019.



## Dishwashers

Select Bosch dishwashers are ENERGY STAR® Certified, so you can have peace of mind your Bosch dishwasher is helping to save water and energy.\*

We're proud to offer features like Eco Cycle mode, Half Load, Home Connect® with My Schedule, and PureDry®, so you have the tools for eco-friendly savings that fit your lifestyle needs.

\*Excludes ADA-compliant and German-made models.



## Washers & Dryers

All Bosch washers and dryers are ENERGY STAR® certified for less energy usage and more water savings. The 500 and 800 Series heat pump dryers are 60% more efficient\* and are recognized as ENERGY STAR® Most Efficient of 2024 along with their matching washers.



\*Based on a comparison of Bosch condensation dryers and Bosch dryers with heat pump technology, as listed on the energy star website.



# Digital Tools

## Kitchen Package Design Tool

Design your dream kitchen with the Bosch Kitchen Package Design Tool.

Pick your Bosch appliances and customize your kitchen layout and finish, then save your design with a simple click.

## Product Finder & Buying Guides

Our product finder tool walks you through a simple series of questions to match you with the perfect appliance. Or, read our buying guides for tips and advice on what to consider before buying a new appliance.





# Cooktops & Rangetops

Bosch cooktops deliver perfect results with minimal effort. Whether you choose induction, gas, or electric, every Bosch cooktop combines simplicity with intuitive usability. Recipes are followed more efficiently, meals are made quickly, and cleanup happens easily.

FlameSelect® gas cooktops offer a revolutionary new level of precision. With nine pre-defined power levels, you can get perfect, repeatable results without needing to check the height of the flame. Because at the end of a long day, Bosch believes cooking should bring joy, not frustration.

Our industrial-style rangetops are designed to perform with a commercial-inspired design, high-powered burners and Bosch quality.





# Benchmark™ Series Cooktops

include these features:



## FlameSelect®

We've re-engineered the flame. FlameSelect® on Bosch cooktops let you easily adjust flame levels with 9 preset power levels for more precise, controlled heating. Whether you're rapidly bringing water to an intense boil or delicately melting chocolate, the numbered flame levels deliver the exact temperature every time.



## Dual-Flame Power Burner

Our Benchmark™ Series stainless steel gas cooktops feature a powerful 18,050 BTU center, dual-ring burner that delivers faster boiling and low simmering for greater cooking flexibility.



## FlexInduction®

FlexInduction® allows you to combine two cooking zones into one to accommodate large pans or griddles perfectly. Or, use the cooking zones individually. Either way, enjoy even cooking—no matter the size of your pan.



## Flexibility When Cooking

With five burners, including an 11" 3,080-watt triple-ring heating element, our 36" Benchmark™ Series electric cooktop provides the ultimate flexibility when cooking.



## AutoChef®

The AutoChef® sensor regulates the temperature during frying and automatically adjusts it for you so the perfect amount of heat is applied. So every pancake comes out golden brown and every steak is seared to perfection.



## Home Connect®

Induction cooktops with Home Connect® let you remotely check if your cooktop is still on. Also, discover recipes and send the appropriate settings straight to your cooktop.



# Benchmark™ Series 30" Induction Cooktops



**30" Benchmark™ Series**  
**NITP060UC (Frameless)**  
**NITP060SUC (Framed)**

- FlexInduction® Element
- 11" Cooking Zone
- + PowerMove®
- Home Connect®
- SpeedBoost®



+ Indicates a step-up feature

**30" Benchmark™ Series**

Black – NITP060UC  
 Black with Stainless Steel Frame – NITP060SUC

**General Properties**

Home Connect® (Wi-Fi Enabled)	Yes
Controls	PreciseSelect® Touch

**Element Performance**

Power of full zone left & right heating element (in boost)	–
Power of full zone left heating element (in boost)	3,300 W (3,600 W)
Power of front left heating element (in boost)	2,200 W (3,600 W)
Power of back left heating element (in boost)	2,200 W (3,600 W)
Power of center heating element (in boost)	–
Power of back right heating element (in boost)	2,600 W (3,600 W)
Power of front right heating element (in boost)	1,400 W (2,200 W)
Burners with booster	All*

**Element Size**

Dimension of front left heating element	8" x 9"
Dimension of back left heating element	8" x 9"
Dimension of center heating element	–
Dimension of back right heating element	11"
Dimension of front right heating element	6"

**Technical Details**

Watts	7,200 W
Circuit breaker	30 A
Volts	208 – 240 V
Frequency	60 Hz
Plug type	No plug
Power cord length	37"
Energy source	Electric

**Dimensions & Weight**

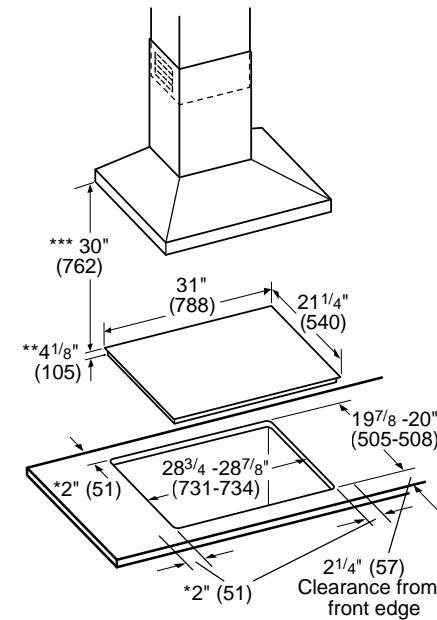
Overall appliance dimensions (HxWxD)	4 1/8" x 31" x 21 1/4"
Required cutout size (HxWxD)	4 1/8" x 28 7/8" x 20"
Minimum distance from counter front	2 1/4"
Minimum distance from rear wall	2"
Net weight	43 lbs

\*For 30" model Boost function may be used simultaneously in 2 zones only. See User Manual.  
 \*\*For 36" model Boost function may be used simultaneously in 3 zones only. See User Manual.

\*For use with 36" models

# Benchmark™ Series 30" Induction Cooktops

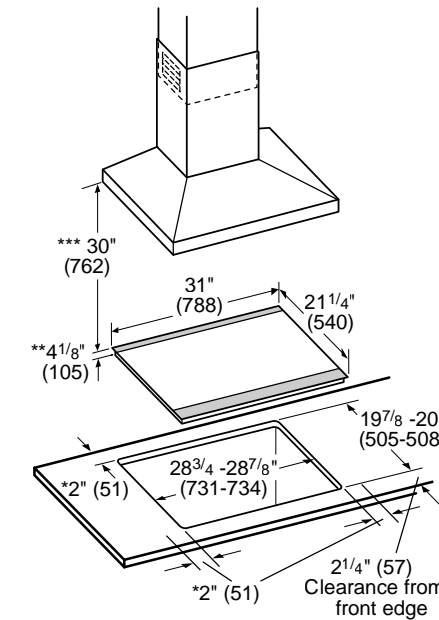
**30" Cooktop and Cutout Dimensions (Frameless)**



- \* Minimum clearance from the cooktop cutout to the wall
- \*\* Installed depth includes a gap of 1" (26 mm) for ventilation
- \*\*\* Minimum clearance between the cooktop surface and lower edge of the hood

measurements in inches (mm)

**30" Cooktop and Cutout Dimensions (Framed)**

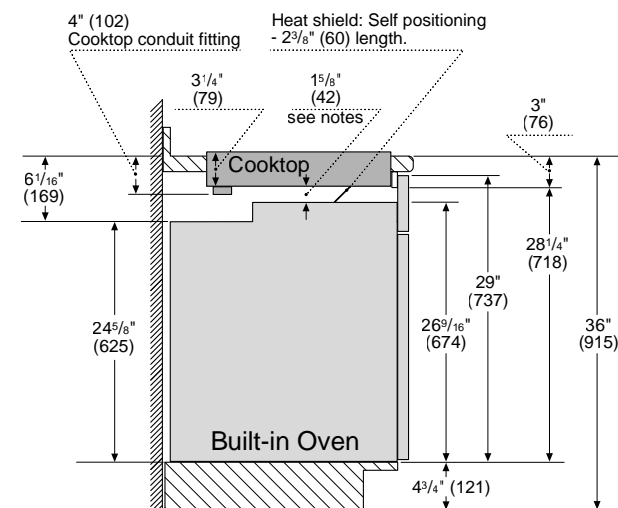


- \* Minimum clearance from the cooktop cutout to the wall
- \*\* Installed depth includes a gap of 1" (26 mm) for ventilation
- \*\*\* Minimum clearance between the cooktop surface and lower edge of the hood

measurements in inches (mm)

**NOTE:** Bosch induction cooktops can be installed in combination with other Bosch cooking products. See pages 92–93 for details.

**Cooktop Installation Above Wall Oven**



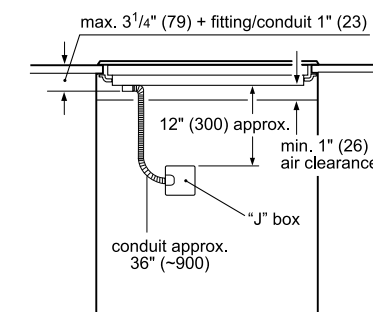
Notes:

Dimensions based on standard countertop height (36" with 4 3/4" toe kick including base plate).

The built-in oven can be installed below the induction cooktop as long as there is a minimum 1" (26) clearance between the bottom of the cooktop and the top of the oven.

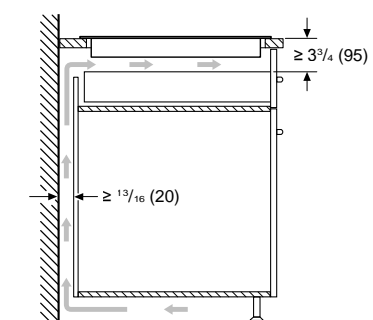
measurements in inches (mm)

**Electrical Location**



Measurements in inches (mm)

**Ventilation Clearances**



Measurements in inches (mm)



# Benchmark™ Series 36" Induction Cooktops



**36" Benchmark™ Series**  
**NITP660UC (Frameless)**  
**NITP660SUC (Framed)**



- FlexInduction® Element
- + 12" Dual-Ring Center Cooking Zone
- + PowerMove®
- Home Connect®
- SpeedBoost®

+ Indicates a step-up feature

**36" Benchmark™ Series**

Black – NITP660UC  
 Black with Stainless Steel Frame – NITP660SUC

**General Properties**

Home Connect® (Wi-Fi Enabled)	Yes
Controls	PreciseSelect® Touch

**Element Performance**

Power of full zone left & right heating element (in boost)	3,300 W (3,600 W)
Power of full zone left heating element (in boost)	–
Power of front left heating element (in boost)	2,200 W (3,600 W)
Power of back left heating element (in boost)	2,200 W (3,600 W)
Power of center heating element (in boost)	3,300 / 2,200 W (3,600 / 3,400 W)
Power of back right heating element (in boost)	2,200 W (3,600 W)
Power of front right heating element (in boost)	2,200 W (3,600 W)
Burners with booster	All**

**Element Size**

Dimension of front left heating element	7" x 8"
Dimension of back left heating element	7" x 8"
Dimension of center heating element	12", 9"
Dimension of back right heating element	7" x 8"
Dimension of front right heating element	7" x 8"

**Technical Details**

Watts	12,000 W
Circuit breaker	50 A
Volts	208 – 240 V
Frequency	60 Hz
Plug type	No plug
Power cord length	37"
Energy source	Electric

**Dimensions & Weight**

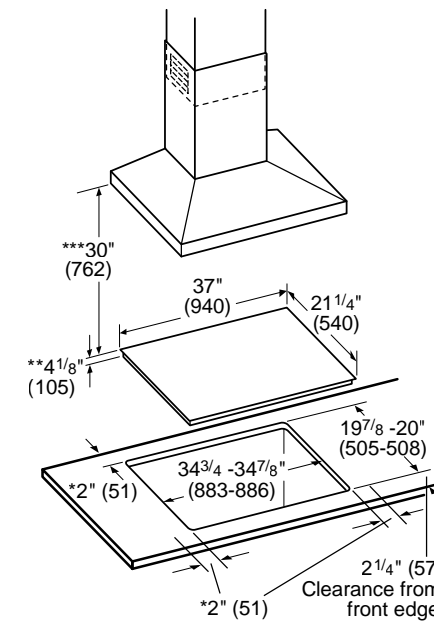
Overall appliance dimensions (HxWxD)	4 1/8" x 37" x 21 1/4"
Required cutout size (HxWxD)	4 1/8" x 34 7/8" x 20"
Minimum distance from counter front	2 1/4"
Minimum distance from rear wall	2"
Net weight	56 lbs (NITP660UC), 53 lbs (NITP660SUC)

\*For 30" model Boost function may be used simultaneously in 2 zones only. See User Manual.  
 \*\*For 36" model Boost function may be used simultaneously in 3 zones only. See User Manual.

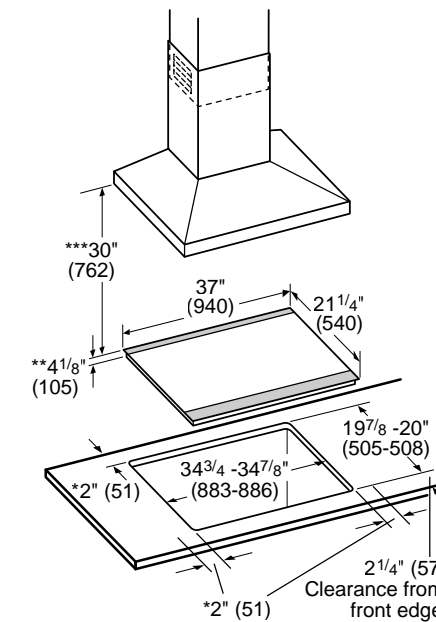
\*For use with 36" models

# Benchmark™ Series 36" Induction Cooktops

**36" Frameless Cooktop and Cutout Dimensions**



**36" Framed Cooktop and Cutout Dimensions**



**NOTE:** Bosch induction cooktops can be installed in combination with other Bosch cooking products. See pages 92–93 for details.

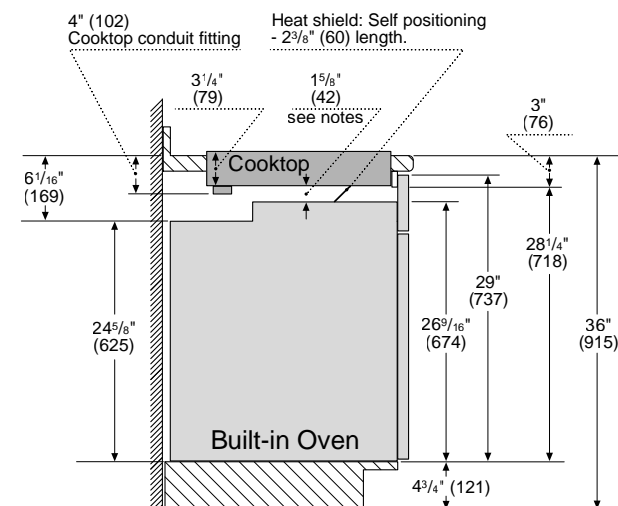
- \* Minimum clearance from the cooktop cutout to the wall
- \*\* Installed depth includes a gap of 1" (26 mm) for ventilation
- \*\*\* Minimum clearance between the cooktop surface and lower edge of the hood

- \* Minimum clearance from the cooktop cutout to the wall
- \*\* Installed depth includes a gap of 1" (26 mm) for ventilation
- \*\*\* Minimum clearance between the cooktop surface and lower edge of the hood

measurements in inches (mm)

measurements in inches (mm)

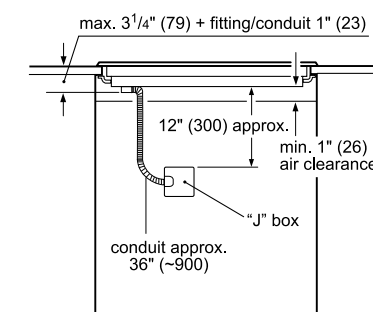
**Cooktop Installation Above Wall Oven**



Notes:  
 Dimensions based on standard countertop height (36" with 4 3/4" toe kick including base plate).  
 The built-in oven can be installed below the induction cooktop as long as there is a minimum 1" (26) clearance between the bottom of the cooktop and the top of the oven.

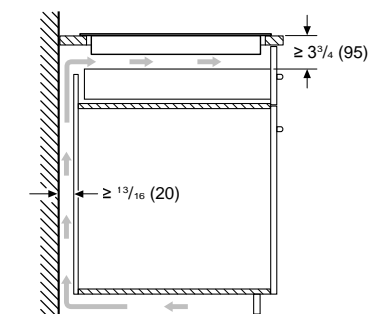
measurements in inches (mm)

**Electrical Location**



Measurements in inches (mm)

**Ventilation Clearances**



Measurements in inches (mm)





# 800 / 500 Series 30" Induction Cooktops



**30" 800 Series**  
**NIT8060UC (Frameless)**  
**NIT8060SUC (Framed)**

- +AutoChef®
- +Home Connect®
- +Hood Control
- +PreciseSelect® Touch Controls

**Home Connect**



**30" 500 Series**  
**NIT5060UC (Frameless)**

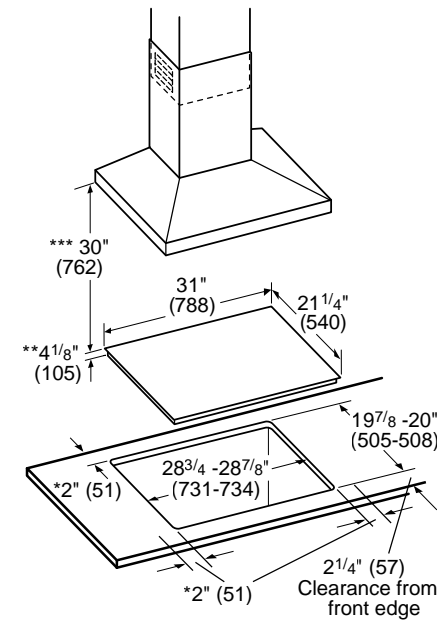
- 11" Cooking Zone
- 17 Power Levels
- SpeedBoost®

+ Indicates a step-up feature

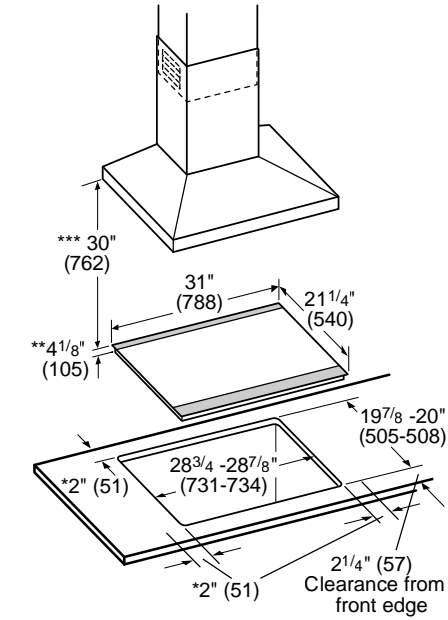
	30" 800 Series	30" 500 Series
	Black – NIT8060UC Black with Stainless Steel Frame – NIT8060SUC	Black – NIT5060UC
<b>General Properties</b>		
Home Connect® (Wi-Fi Enabled)	Yes	No
Controls	PreciseSelect® Touch	Touch
<b>Element Performance</b>		
Power of front left heating element (in boost)	1,400 W (2,200 W)	1,400 W (2,200 W)
Power of back left heating element (in boost)	2,200 W (3,600 W)	2,200 W (3,600 W)
Power of back right heating element (in boost)	2,600 W (3,600 W)	2,600 W (3,600 W)
Power of front right heating element (in boost)	1,400 W (2,200 W)	1,400 W (2,200 W)
Burners with booster	All	All
<b>Element Size</b>		
Dimension of front left heating element	6"	6"
Dimension of back left heating element	9"	9"
Dimension of back right heating element	11"	11"
Dimension of front right heating element	6"	6"
<b>Technical Details</b>		
Watts	7,200 W	7,200 W
Circuit breaker	30 A	30 A
Volts	208 – 240 V	208 – 240 V
Frequency	60 Hz	60 Hz
Plug type	No plug	No plug
Power cord length	37"	37"
Energy source	Electric	Electric
<b>Dimensions &amp; Weight</b>		
Overall appliance dimensions (HxWxD)	4 1/8" x 31" x 21 1/4"	4 1/8" x 31" x 21 1/4"
Required cutout size (HxWxD)	4 1/8" x 28 7/8" x 20"	4 1/8" x 28 7/8" x 20"
Minimum distance from counter front	2 1/4"	2 1/4"
Minimum distance from rear wall	2"	2"
Net weight	41 lbs	41 lbs

# 800 / 500 Series 30" Induction Cooktops

## 30" Frameless Cooktop and Cutout Dimensions



## 30" Framed Cooktop and Cutout Dimensions



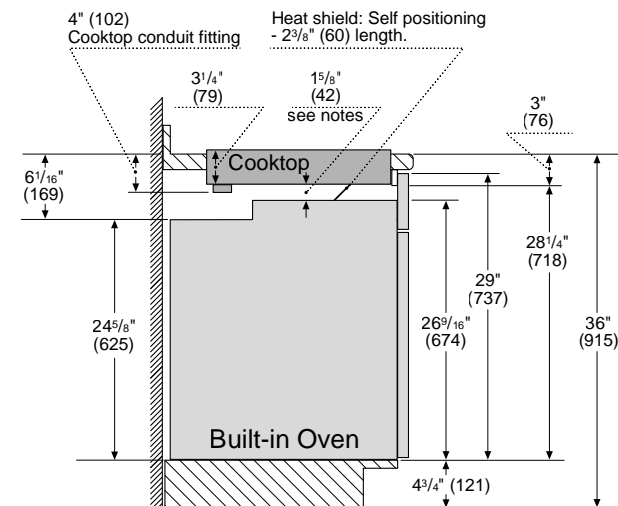
**NOTE:** Bosch induction cooktops can be installed in combination with other Bosch cooking products. See pages 92–93 for details.

- \* Minimum clearance from the cooktop cutout to the wall
- \*\* Installed depth includes a gap of 1" (26 mm) for ventilation
- \*\*\* Minimum clearance between the cooktop surface and lower edge of the hood

- \* Minimum clearance from the cooktop cutout to the wall
- \*\* Installed depth includes a gap of 1" (26 mm) for ventilation
- \*\*\* Minimum clearance between the cooktop surface and lower edge of the hood

measurements in inches (mm)

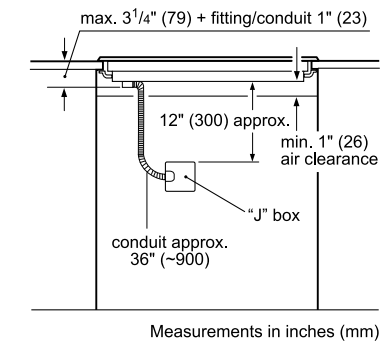
## Cooktop Installation Above Wall Oven



Notes:  
 Dimensions based on standard countertop height (36" with 4 3/4" toe kick including base plate).  
 The built-in oven can be installed below the induction cooktop as long as there is a minimum 1" (26) clearance between the bottom of the cooktop and the top of the oven.

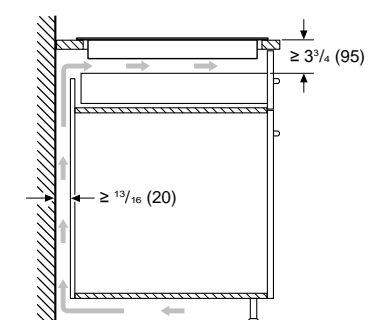
measurements in inches (mm)

## Electrical Location



Measurements in inches (mm)

## Ventilation Clearances



Measurements in inches (mm)



# 800 / 500 Series 36" Induction Cooktops



**36" 800 Series**  
**NIT8660UC (Frameless)**  
**NIT8660SUC (Framed)**

- +AutoChef®
- +Home Connect®
- +Hood Control
- +PreciseSelect® Touch Controls

Home Connect



**36" 500 Series**  
**NIT5660UC**

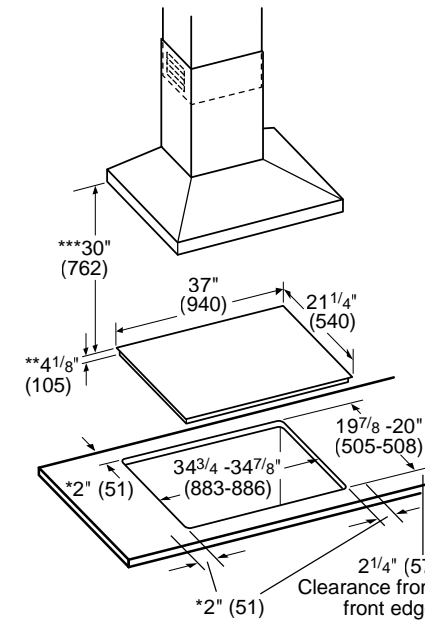
- 17 Power Levels
- SpeedBoost®

+ Indicates a step-up feature

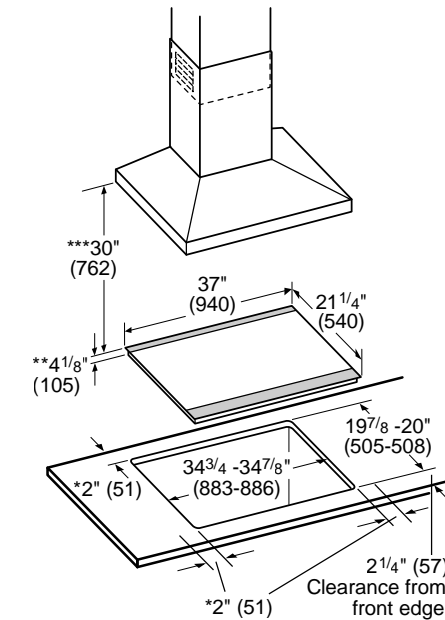
	36" 800 Series	36" 500 Series
	Black – NIT8660UC Black with Stainless Steel Frame – NIT8660SUC	Black – NIT5660UC
<b>General Properties</b>		
Home Connect® (Wi-Fi Enabled)	Yes	No
Controls	PreciseSelect® Touch	Touch
<b>Element Performance</b>		
Power of front left heating element (in boost)	1,800 W (3,100 W)	1,800 W (3,100 W)
Power of back left heating element (in boost)	1,800 W (3,100 W)	1,800 W (3,100 W)
Power of center heating element (in boost)	3,300 / 2,200 W (5,400 / 3,600 W)	3,300 / 2,200 W (5,400 / 3,600 W)
Power of back right heating element (in boost)	1,400 W (2,200 W)	1,400 W (2,200 W)
Power of front right heating element (in boost)	2,200 W (3,600 W)	2,200 W (3,600 W)
Burners with booster	All	All
<b>Element Size</b>		
Dimension of front left heating element	7"	7"
Dimension of back left heating element	7"	7"
Dimension of center heating element	12", 9"	12", 9"
Dimension of back right heating element	6"	6"
Dimension of front right heating element	9"	9"
<b>Technical Details</b>		
Watts	9,600 W	9,600 W
Circuit breaker	40 A	40 A
Volts	208 – 240 V	208 – 240 V
Frequency	60 Hz	60 Hz
Plug type	No plug	No plug
Power cord length	37"	37"
Energy source	Electric	Electric
<b>Dimensions &amp; Weight</b>		
Overall appliance dimensions (HxWxD)	4 1/8" x 37" x 21 1/4"	4 1/8" x 37" x 21 1/4"
Required cutout size (HxWxD)	4 1/8" x 34 7/8" x 20"	4 1/8" x 34 7/8" x 20"
Minimum distance from counter front	2 1/4"	2 1/4"
Minimum distance from rear wall	2"	2"
Net weight	53 lbs	53 lbs

# 800 / 500 Series 36" Induction Cooktops

## 36" Frameless Cooktop and Cutout Dimensions



## 36" Framed Cooktop and Cutout Dimensions



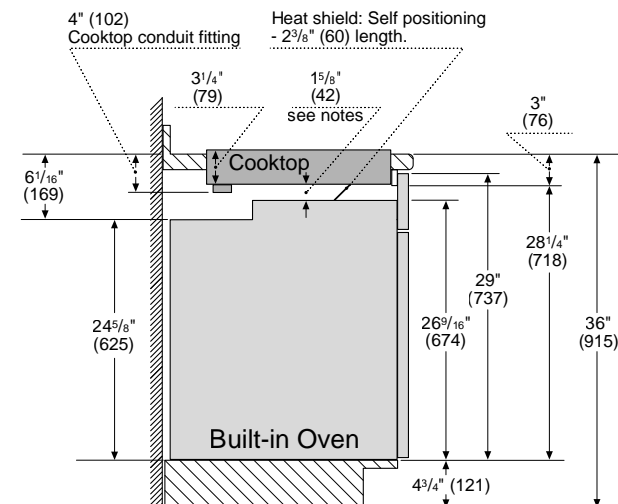
**NOTE:** Bosch induction cooktops can be installed in combination with other Bosch cooking products. See pages 92–93 for details.

- \* Minimum clearance from the cooktop cutout to the wall
- \*\* Installed depth includes a gap of 1" (26 mm) for ventilation
- \*\*\* Minimum clearance between the cooktop surface and lower edge of the hood

- \* Minimum clearance from the cooktop cutout to the wall
- \*\* Installed depth includes a gap of 1" (26 mm) for ventilation
- \*\*\* Minimum clearance between the cooktop surface and lower edge of the hood

measurements in inches (mm)

## Cooktop Installation Above Wall Oven



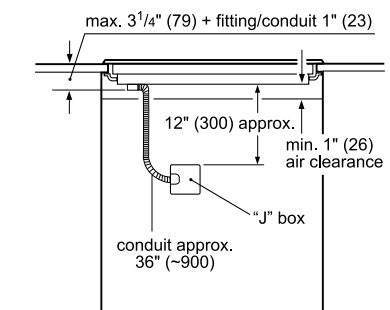
Notes:

Dimensions based on standard countertop height (36" with 4 3/4" toe kick including base plate).

The built-in oven can be installed below the induction cooktop as long as there is a minimum 1" (26) clearance between the bottom of the cooktop and the top of the oven.

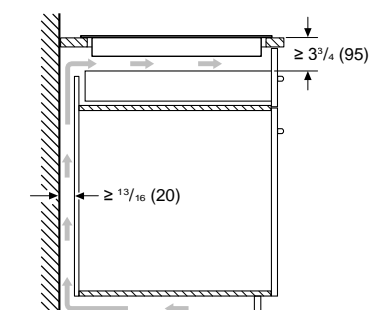
measurements in inches (mm)

## Electrical Location



Measurements in inches (mm)

## Ventilation Clearances



Measurements in inches (mm)



# 500 Series 24" Induction Cooktop



## 24" 500 Series NIT5460UC

- 11" Cooking Zone
- 17 Power Levels
- SpeedBoost®

### 24" 500 Series

Black – NIT5460UC

#### Element Performance

Power of back left heating element (in boost)	2,600 W (3,600 W)
Power of back right heating element (in boost)	1,800 W (3,100 W)
Power of front right heating element (in boost)	1,400 W (2,200 W)
Burners with booster	All

#### Element Size

Dimension of back left heating element	11"
Dimension of back right heating element	7"
Dimension of front right heating element	6"

#### Technical Details

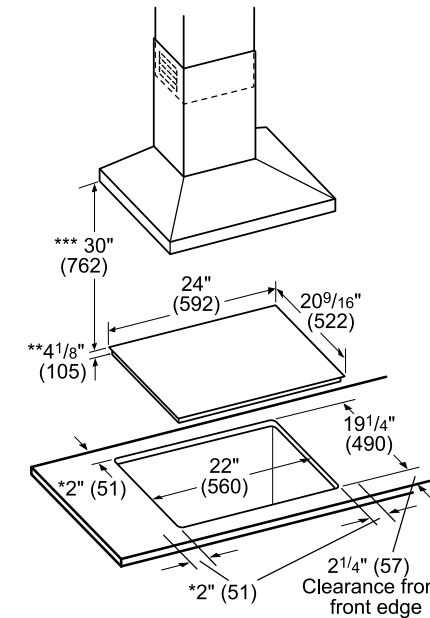
Watts	7,200 W
Circuit breaker	30 A
Volts	208 – 240 V
Frequency	60 Hz
Plug type	No plug
Power cord length	37"
Energy source	Electric

#### Dimensions & Weight

Overall appliance dimensions (HxWxD)	4 1/8" x 24" x 20 9/16"
Required cutout size (HxWxD)	4 1/8" x 22" x 19 1/4"
Minimum distance from counter front	2 1/4"
Minimum distance from rear wall	2"
Net weight	20 lbs

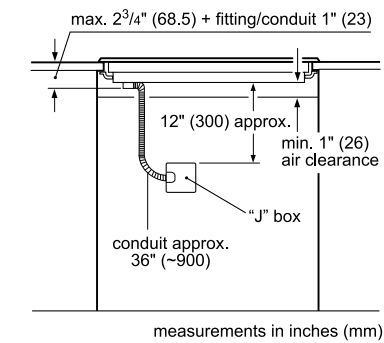
# 500 Series 24" Induction Cooktop

## 24" Cooktop and Cutout Dimensions

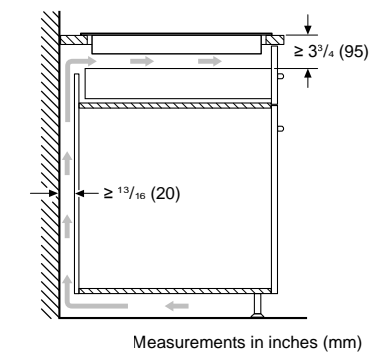


- \* Minimum clearance from the cooktop cutout to the wall
  - \*\* Installed depth includes a gap of 1" (26 mm) for ventilation
  - \*\*\* Minimum clearance between the cooktop surface and lower edge of the exhaust hood.
- measurements in inches (mm)

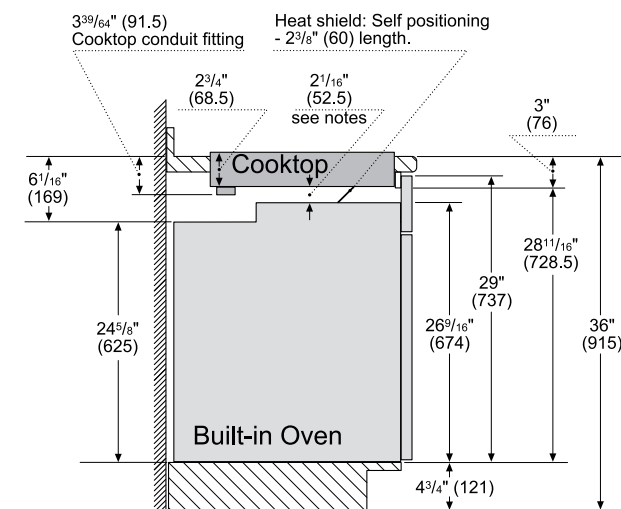
## Electrical Location



## Ventilation Clearances



## 24" Cooktop Installation Above Wall Oven



### Notes:

Dimensions based on standard countertop height (36" with 4 3/4" toe kick including base plate).

The built-in oven can be installed below the induction cooktop as long as there is a minimum 1" (26) clearance between the bottom of the cooktop and the top of the oven.

measurements in inches (mm)

**NOTE:** Bosch induction cooktops can be installed in combination with other Bosch cooking products. See pages 92–93 for details.

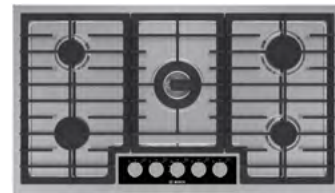


# Benchmark™ Series 30" & 36" Gas Cooktops



**30" Benchmark™ Series**  
**NGMP059UC**

- 18,050 Max. BTU
- OptiSim® Burner
- Dishwasher-safe Grates
- Dual-Ring Hi / Lo Burner
- Digital Power Level and Residual Heat Display



**36" Benchmark™ Series**  
**NGMP659UC**

- 18,050 Max. BTU
- OptiSim® Burner
- Dishwasher-safe Grates
- Dual-Ring Hi / Lo Burner
- Digital Power Level and Residual Heat Display



	30" Benchmark™ Series	36" Benchmark™ Series
	Stainless Steel – NGMP059UC	Stainless Steel – NGMP659UC
<b>General Properties</b>		
No. of burners	5	5
Knob color	Stainless steel appearance	Stainless steel appearance
Control location	Front-center	Front-center
Sealed burners	Yes	Yes
Valves	Five 9-level gas step valves	Five 9-level gas step valves
Ignition system	Electronic; thermocouple flame monitor control	Electronic; thermocouple flame monitor control
Cooktop surface material	Stainless steel	Stainless steel
Grate material	Cast iron	Cast iron
Grate features	Continuous grates, dishwasher safe	Continuous grates, dishwasher safe
<b>Element Performance</b>		
Total BTU load (NG / LP)	43,750 / 36,800 BTU	43,750 / 36,800 BTU
Power of front left burner (NG / LP)	3,400 / 3,400 BTU	3,400 / 3,400 BTU
Power of back left burner (NG / LP)	6,000 / 6,000 BTU	6,000 / 6,000 BTU
Power of center burner (NG / LP)	18,050 / 11,100 BTU	18,050 / 11,100 BTU
Power of back right burner (NG / LP)	10,300 / 10,300 BTU	10,300 / 10,300 BTU
Power of front right burner (NG / LP)	6,000 / 6,000 BTU	6,000 / 6,000 BTU
<b>Technical Details</b>		
Circuit breaker	15 A	15 A
Volts	120 V	120 V
Frequency	60 Hz	60 Hz
Plug type	3-prong	3-prong
Power cord length	40"	40"
Energy source	Natural gas (factory set)	Natural gas (factory set)
Convertible to LP (kit required)	Yes	Yes
<b>Dimensions &amp; Weight</b>		
Overall appliance dimensions (HxWxD)	4 1/2" x 31" x 21 1/4"	4 1/2" x 37" x 21 1/4"
Required cutout size (HxWxD)	2" x 28 15/16" x 19 1/8"	2" x 34 15/16" x 19 1/8"
Minimum distance from counter front	1 7/8"	1 7/8"
Minimum distance from rear wall	3"	3"
Net weight	51 lbs	58 lbs
<b>Accessories – Included</b>		
Included	LP conversion kit, OptiSim® cap	LP conversion kit, OptiSim® cap

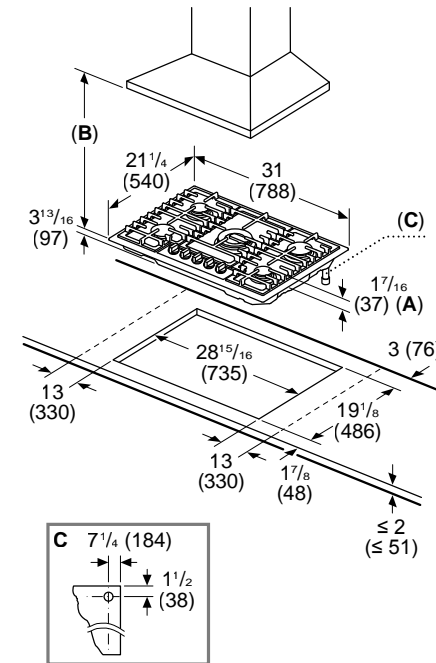
**Optional Accessories**



**HEZ298102**  
Wok Ring

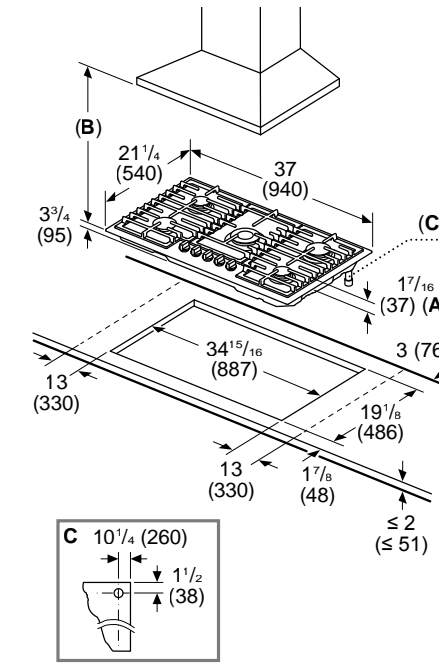
# Benchmark™ Series 30" & 36" Gas Cooktops

**30" Cooktop and Cutout Dimensions**



- A:** Dimension from countertop to top of grates
- B:** When installed in combination with a hood, refer to hood manufacturer's requirements for installation
- C:** Gas connection

**36" Cooktop and Cutout Dimensions**

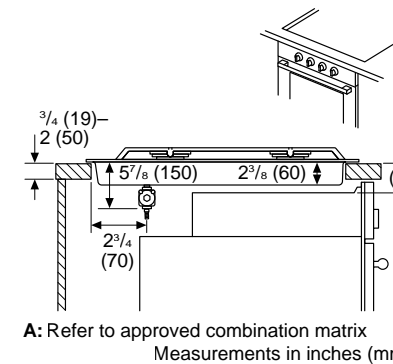


- A:** Dimension from countertop to top of grates
- B:** When installed in combination with a hood, refer to hood manufacturer's requirements for installation
- C:** Gas connection

**NOTE:** Bosch gas cooktops can be installed in combination with other Bosch cooking products. See pages 92–93 for details.

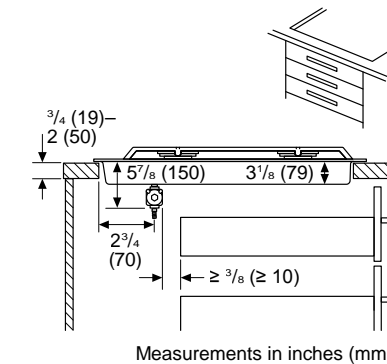
Measurements in inches (mm)

**Cooktop Installation Over Oven**



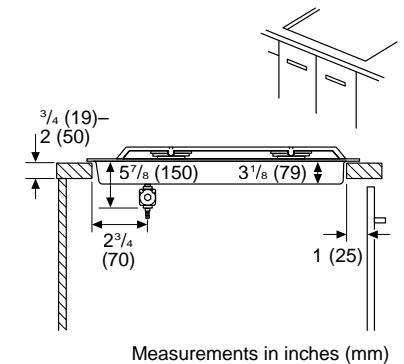
**A:** Refer to approved combination matrix  
Measurements in inches (mm)

**Cooktop Installation Over Drawer**



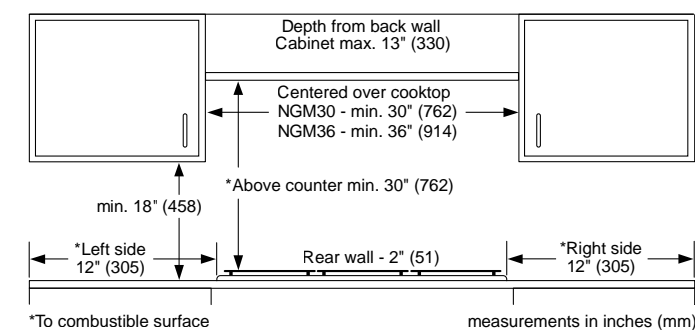
Measurements in inches (mm)

**Cooktop Installation Over Door**



Measurements in inches (mm)

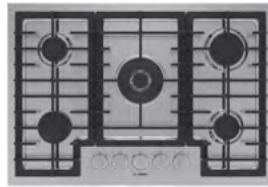
**Clearances**



measurements in inches (mm)

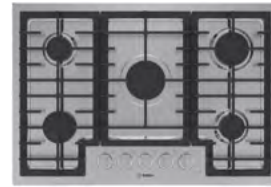


# 800 / 500 Series 30" Gas Cooktops



**30" 800 Series**  
**NGM8059UC (Stainless Steel)**  
**NGM8049UC (Black w/ Black Stainless Knobs)**

- +17,000 Max. BTU
- OptiSim® Burner
- +Dishwasher-safe Grates
- +Dual-Ring Hi / Lo Burner
- Red LED Light Burner Indicators



**30" 500 Series**  
**NGM5059UC**

- 16,000 Max. BTU
- OptiSim® Burner
- Distinctive Red LED Light Burner Indicators



+ Indicates a step-up feature

	30" 800 Series	30" 500 Series
	Stainless Steel – NGM8059UC Black w/Black Stainless Knobs – NGM8049UC	Stainless Steel – NGM5059UC

### General Properties

No. of burners	5	5
Knob color	NGM8059UC – Stainless steel appearance NGM8049UC – Black stainless appearance	Stainless steel appearance
Control location	Front-center	Front-center
Sealed burners	Yes	Yes
Valves	Five 9-level gas step valves	Gas
Ignition system	Electronic; thermocouple flame monitor control	Electric; thermocouple flame monitor control
Cooktop surface material	NGM8059UC – Stainless steel NGM8049UC – Black porcelain enamel	Stainless steel
Grate material	Cast iron	Cast iron
Grate features	Continuous grates, dishwasher safe	Continuous grates

### Element Performance

Total BTU load (NG / LP)	NGM8059UC – 42,700 / 41,400 BTU NGM8049UC – 40,700 / 39,400 BTU	41,700 / 41,700 BTU
Power of front left burner (NG / LP)	3,400 / 3,400 BTU	3,400 / 3,400 BTU
Power of back left burner (NG / LP)	NGM8059UC – 6,000 / 6,000 BTU NGM8049UC – 5,000 / 5,000 BTU	6,000 / 6,000 BTU
Power of center burner (NG / LP)	17,000 / 15,700 BTU	16,000 / 16,000 BTU
Power of back right burner (NG / LP)	10,300 / 10,300 BTU	10,300 / 10,300 BTU
Power of front right burner (NG / LP)	NGM8059UC – 6,000 / 6,000 BTU NGM8049UC – 5,000 / 5,000 BTU	6,000 / 6,000 BTU

### Technical Details

Circuit breaker	15 A	15 A
Volts	120 V	120 V
Frequency	60 Hz	60 Hz
Plug type, power cord length	3-prong, 40"	3-prong, 40"
Energy source	Natural gas (factory set)	Natural gas (factory set)
Convertible to LP (kit required)	Yes	Yes

### Dimensions & Weight

Overall appliance dimensions (HxWxD)	4 1/2" x 31" x 21 1/4"	4 1/2" x 31" x 21 1/4"
Required cutout size (HxWxD)	2" x 28 15/16" x 19 1/8"	2" x 28 15/16" x 19 1/8"
Minimum distance from counter front	1 7/8"	1 7/8"
Minimum distance from rear wall	3"	3"
Net weight	51 lbs	50 lbs

### Accessories – Included

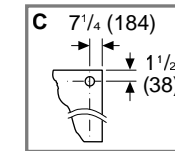
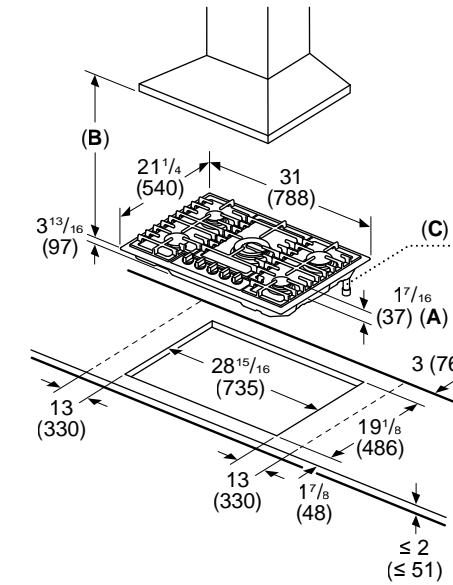
Included	LP conversion kit, OptiSim® cap	LP conversion kit, OptiSim® cap
----------	---------------------------------	---------------------------------

### Optional Accessories



# 800 / 500 Series 30" Gas Cooktops

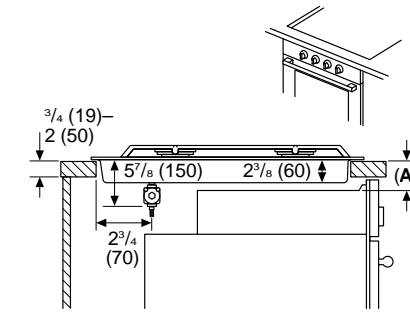
### 30" Cooktop and Cutout Dimensions



**A:** Dimension from countertop to top of grates  
**B:** When installed in combination with a hood, refer to hood manufacturer's requirements for installation  
**C:** Gas connection

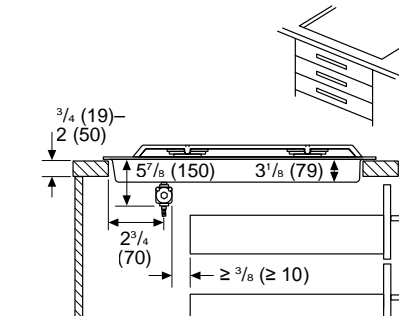
Measurements in inches (mm)

### Cooktop Installation Over Oven



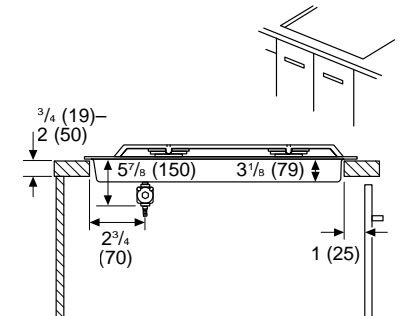
**A:** Refer to approved combination matrix  
 Measurements in inches (mm)

### Cooktop Installation Over Drawer



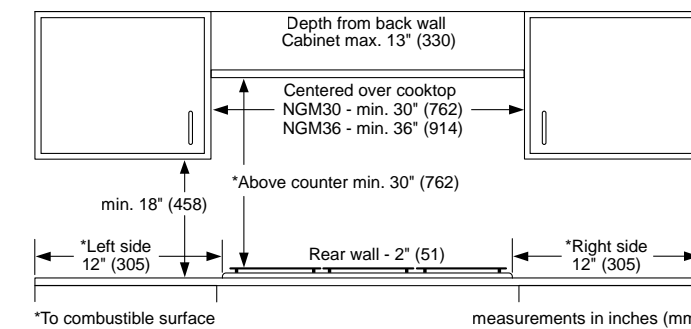
Measurements in inches (mm)

### Cooktop Installation Over Door



Measurements in inches (mm)

### Clearances



\*To combustible surface measurements in inches (mm)

**NOTE:** Bosch gas cooktops can be installed in combination with other Bosch cooking products. See pages 92–93 for details.



# 800 Series 36" Gas Cooktop



**36" 800 Series**  
**NGM8646UC (Black Enamel with Black Stainless Knobs)**

- +17,000 Max. BTU
- OptiSim® Burner
- +Dishwasher-safe Grates
- +Dual-Ring Hi / Lo Burner

+ Indicates a step-up feature

**36" 800 Series**

Black w/Black Stainless Knobs – NGM8646UC

**General Properties**

No. of burners	5
Knob color	Black stainless appearance
Control location	Front-center
Sealed burners	Yes
Valves	Five 9-level gas valves
Ignition system	Electronic; thermocouple flame monitor control
Cooktop surface material	Black porcelain enamel
Grate material	Cast iron
Grate features	Continuous grates, dishwasher safe

**Element Performance**

Total BTU load (NG / LP)	52,400 / 47,300 BTU
Power of front left burner (NG / LP)	9,300 / 9,100 BTU
Power of back left burner (NG / LP)	9,300 / 9,100 BTU
Power of center burner (NG / LP)	19,000 / 15,000 BTU
Power of back right burner (NG / LP)	5,500 / 5,000 BTU
Power of front right burner (NG / LP)	9,300 / 9,100 BTU

**Technical Details**

Circuit breaker	15 A
Volts	120 V
Frequency	60 Hz
Plug type, power cord length	3-prong, 40"
Energy source	Natural gas (factory set)
Convertible to LP (kit required)	Yes

**Dimensions & Weight**

Overall appliance dimensions (HxWxD)	3 3/4" x 37" x 21 1/4"
Required cutout size (HxWxD)	2" x 34 15/16" x 19 1/8"
Minimum distance from counter front	1 7/8"
Minimum distance from rear wall	3"
Net weight	39 lbs

**Accessories - Included**

Included	LP conversion kit, OptiSim® cap
----------	---------------------------------

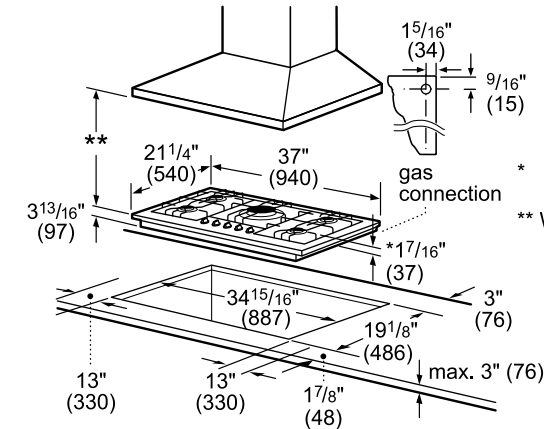
**Optional Accessories**



**HEZ298102**  
 Wok Ring

# 800 Series 36" Gas Cooktop

**36" Cooktop and Cutout Dimensions**

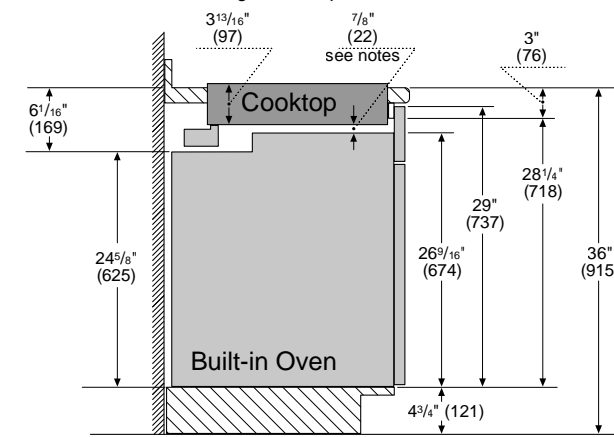


\* Dimension from countertop to top of grates in front of 17/16" (37).  
 \*\* When installed in combination with a hood, refer to hood manufacturers requirements for installation.

Measurement in inches (mm)

**NOTE:** Bosch gas cooktops can be installed in combination with other Bosch cooking products. See pages 92-93 for details.

**Cooktop Installation Over Oven**



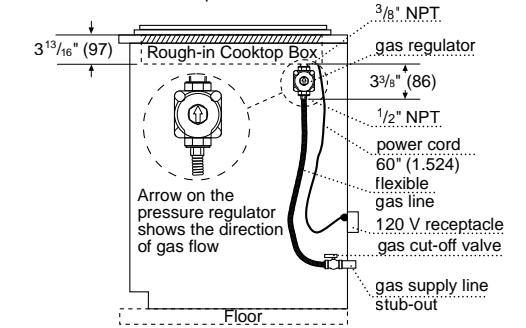
Notes:

Dimensions based on standard countertop height (36" with 4 3/4" toe kick including base plate).

The built-in oven can be installed below the gas cooktop as long as there is no contact between the bottom of the cooktop and the top of the oven.

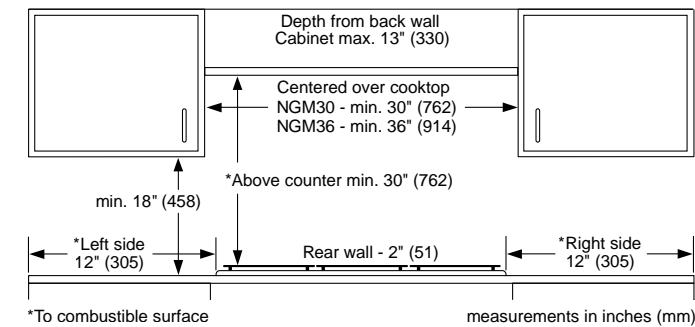
Measurements in inches (mm)

**Cooktop Gas Location**



Measurements in inches (mm)

**Clearances**



\*To combustible surface

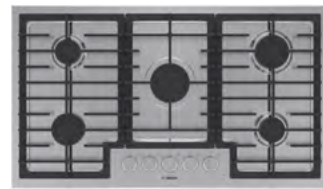
measurements in inches (mm)



# 800 / 500 Series 36" Gas Cooktops



**36" 800 Series**  
**NGM8659UC (Stainless Steel)**  
 + 17,000 Max. BTU  
 • OptiSim® Burner  
 + Dishwasher-safe Grates  
 + Dual-Ring Hi / Lo Burner



**36" 500 Series**  
**NGM5659UC**  
 • 16,000 Max. BTU  
 • OptiSim® Burner  
 • Distinctive Red LED Light Burner Indicators

+ Indicates a step-up feature

	36" 800 Series	36" 500 Series
	Stainless Steel – NGM8659UC	Stainless Steel – NGM5659UC
<b>General Properties</b>		
No. of burners	5	5
Knob color	Stainless steel appearance	Stainless steel appearance
Control location	Front-center	Front-center
Sealed burners	Yes	Yes
Valves	Five 9-level gas valves	Gas
Ignition system	Electronic; thermocouple flame monitor control	Electric; thermocouple flame monitor control
Cooktop surface material	Stainless steel	Stainless steel
Grate material	Cast iron	Cast iron
Grate features	Continuous grates, dishwasher safe	Continuous grates

<b>Element Performance</b>		
Total BTU load (NG / LP)	42,700 / 41,400 BTU	41,700 / 41,700 BTU
Power of front left burner (NG / LP)	3,400 / 3,400 BTU	3,400 / 3,400 BTU
Power of back left burner (NG / LP)	6,000 / 6,000 BTU	6,000 / 6,000 BTU
Power of center burner (NG / LP)	17,000 / 15,700 BTU	16,000 / 16,000 BTU
Power of back right burner (NG / LP)	10,300 / 10,300 BTU	10,300 / 10,300 BTU
Power of front right burner (NG / LP)	6,000 / 6,000 BTU	6,000 / 6,000 BTU

<b>Technical Details</b>		
Circuit breaker	15 A	15 A
Volts	120 V	120 V
Frequency	60 Hz	60 Hz
Plug type, power cord length	3-prong, 40"	3-prong, 40"
Energy source	Natural gas (factory set)	Natural gas (factory set)
Convertible to LP (kit required)	Yes	Yes

<b>Dimensions &amp; Weight</b>		
Overall appliance dimensions (HxWxD)	4 1/2" x 37" x 21 1/4"	4 1/2" x 37" x 21 1/4"
Required cutout size (HxWxD)	2" x 34 15/16" x 19 1/8"	2" x 34 15/16" x 19 1/8"
Minimum distance from counter front	1 7/8"	1 7/8"
Minimum distance from rear wall	3"	3"
Net weight	58 lbs	57 lbs

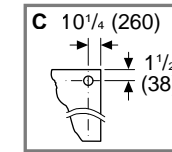
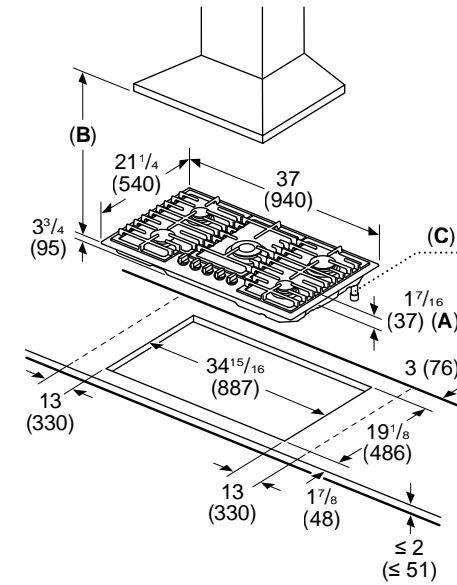
<b>Accessories – Included</b>		
Included	LP conversion kit, OptiSim® cap	LP conversion kit, OptiSim® cap

**Optional Accessories**



# 800 / 500 Series 36" Gas Cooktops

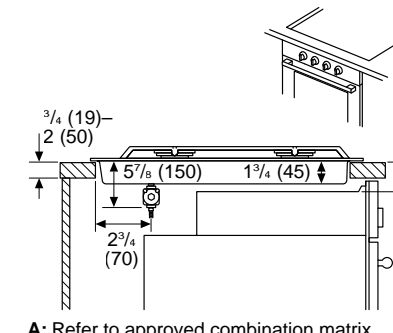
**36" Cooktop and Cutout Dimensions**



**A:** Dimension from countertop to top of grates  
**B:** When installed in combination with a hood, refer to hood manufacturer's requirements for installation  
**C:** Gas connection

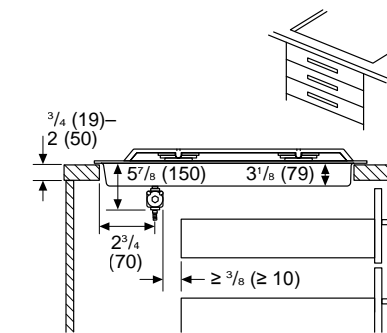
Measurements in inches (mm)

**Cooktop Installation Over Oven**



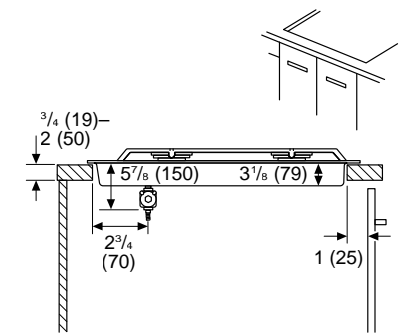
**A:** Refer to approved combination matrix  
 Measurements in inches (mm)

**Cooktop Installation Over Drawer**



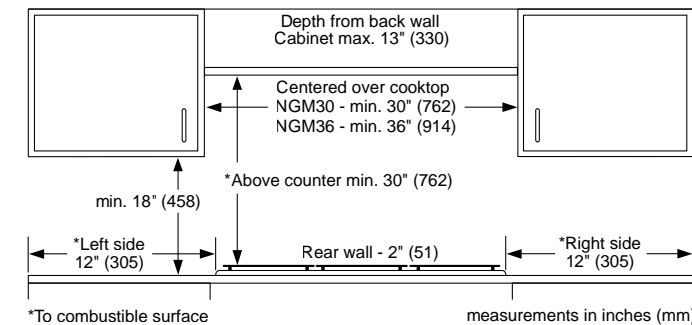
Measurements in inches (mm)

**Cooktop Installation Over Door**



Measurements in inches (mm)

**Clearances**

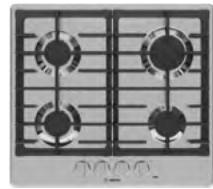


measurements in inches (mm)

**NOTE:** Bosch gas cooktops can be installed in combination with other Bosch cooking products. See pages 92–93 for details.



# 500 Series 24" Gas Cooktop



## 24" 500 Series NGM5453UC

- 10,300 Max. BTU
- LED indicator
- FlameSafe®

### 24" 500 Series

Stainless Steel – NGM5453UC

#### General Properties

No. of burners	4
Knob color	Stainless steel appearance
Control location	Front-center
Sealed burners	Yes
Valves	Gas
Ignition system	Electronic; thermocouple flame monitor control
Cooktop surface material	Stainless steel
Grate material	Cast iron
Grate features	Continuous grates

#### Element Performance

Total BTU load (NG / LP)	25,700 / 25,700
Power of front left burner (NG / LP)	6,000 / 6,000
Power of back left burner (NG / LP)	6,000 / 6,000
Power of center burner (NG / LP)	N/A
Power of back right burner (NG / LP)	10,300 / 10,300
Power of front right burner (NG / LP)	3,400 / 3,400

#### Technical Details

Circuit breaker	15 A
Volts	120 V
Frequency	60 Hz
Plug type	3-prong
Power cord length	40"
Energy source	Natural Gas (factory set)
Convertible to LP (kit required)	Yes

#### Dimensions & Weight

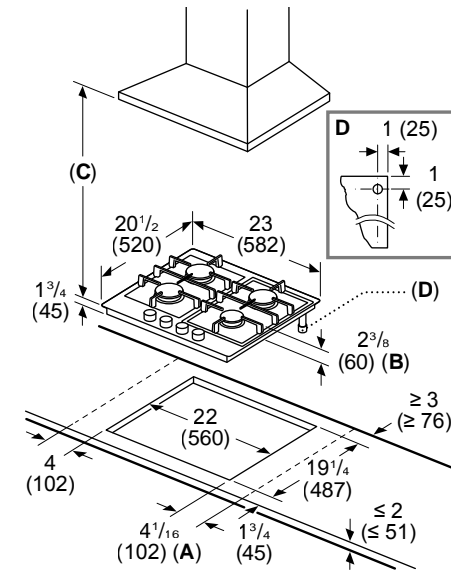
Overall appliance dimensions (HxWxD)	4" x 23" x 20 1/2"
Required cutout size (HxWxD)	2" x 22" x 19 1/4"
Minimum distance from counter front	1 3/4"
Minimum distance from rear wall	3"
Net weight	28 lbs

#### Accessories - Included

Included	LP Conversion Kit
----------	-------------------

# 500 Series 24" Gas Cooktop

## 24" Cooktop and Cutout Dimensions



**A:** 5/16" (129 mm) required when installed with a built-in oven

Refer to the "Bosch under cooktop built-in guide" for more details

**B:** Dimension from countertop to top of grates

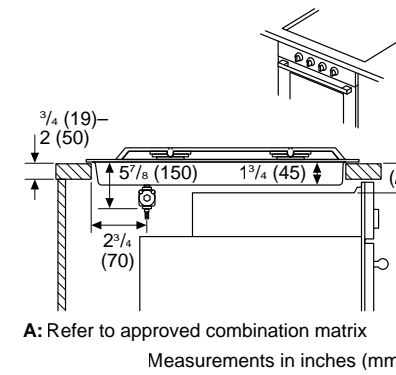
**C:** When installed in combination with a hood, refer to hood manufacturer's requirements for installation

**D:** Gas connection

Measurements in inches (mm)

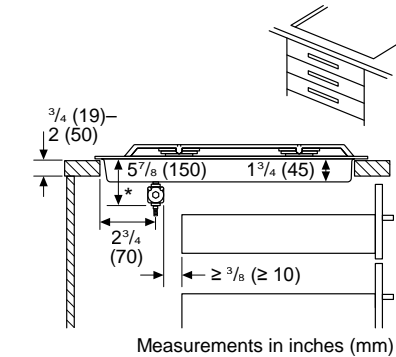
**NOTE:** Bosch gas cooktops can be installed in combination with other Bosch cooking products. See pages 92-93 for details.

## Cooktop Installation Over Oven



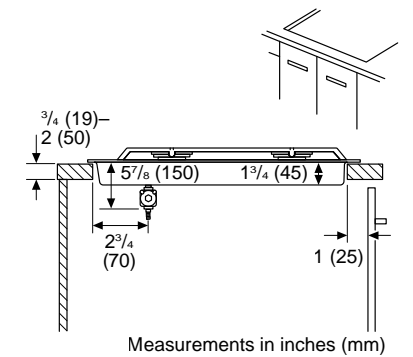
**A:** Refer to approved combination matrix  
Measurements in inches (mm)

## Cooktop Installation Over Drawer



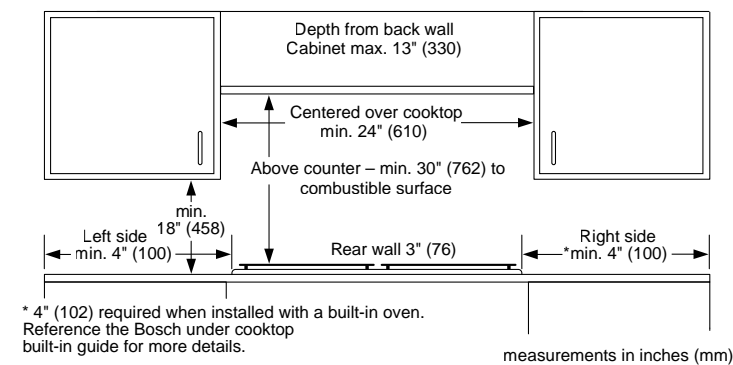
Measurements in inches (mm)

## Cooktop Installation Over Door



Measurements in inches (mm)

## Clearances



measurements in inches (mm)





# Benchmark™ Series 30" Electric Cooktop



## 30" Benchmark™ Series NETP069SUC

- 9", 3,600 W Dual-Ring Element
- 7", 2,000 W Dual-Ring Element
- AutoChef®
- SpeedBoost®
- PreciseSelect®

### 30" Benchmark™ Series

Black with Stainless Steel Frame – NETP069SUC

#### Element Performance

Power of front left heating element	2,000 / 800 W
Power of back left heating element	1,200 W
Power of center heating element	3,600 / 1,400 W
Power of back right heating element	1,200 W
Power of front right heating element	1,500 W

#### Element Size

Dimension of front left heating element	7", 5"
Dimension of back left heating element	6"
Dimension of center heating element	9", 6"
Dimension of back right heating element	6"
Dimension of front right heating element	7"

#### Technical Details

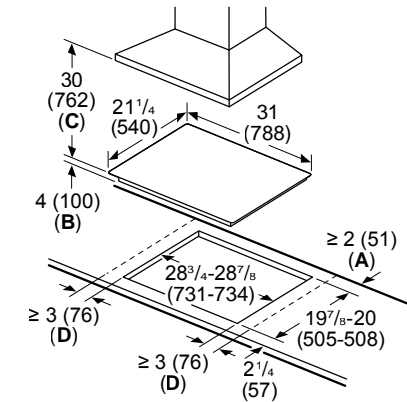
Watts	9,000 W
Circuit breaker	40 A
Volts	208 – 240 V
Frequency	60 Hz
Plug type	No plug
Energy source	Electric

#### Dimensions & Weight

Overall appliance dimensions (HxWxD)	4" x 31" x 21 1/4"
Required cutout size (HxWxD)	4" x 28 7/8" x 20"
Minimum distance from counter front	2 1/4"
Minimum distance from rear wall	2"
Net weight	27 lbs

# Benchmark™ Series 30" Electric Cooktop

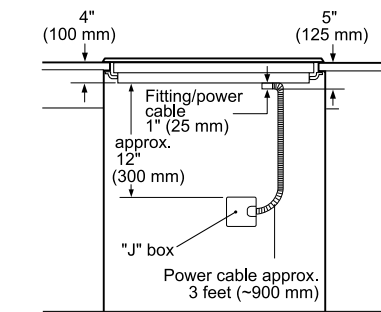
## 30" Cooktop and Cutout Dimensions



- A:** Min. distance from the cooktop cut-out to the wall
- B:** Max. recessed depth
- C:** Min. distance between the surface of the cooktop and the underside of the ventilation hood  
This distance can be smaller, check installation instructions of ventilation hood
- D:** Min. distance from the cooktop cut-out to the side wall

Measurements in inches (mm)

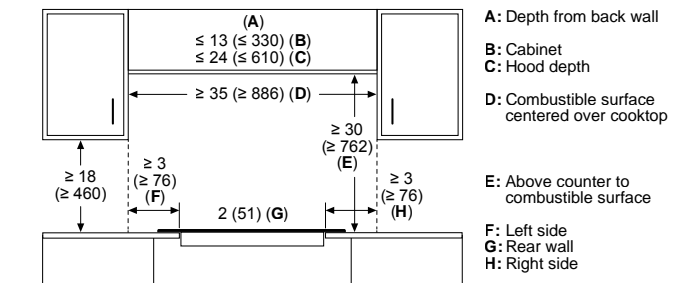
## Electrical Location



measurement in inches (mm)

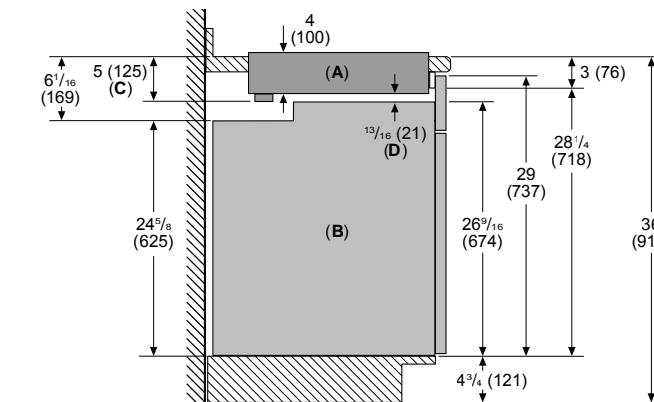
**NOTE:** Bosch electric cooktops can be installed in combination with other Bosch cooking products. See pages 92–93 for details.

## 30" Cooktop Clearances



Measurements in inches (mm)

## Cooktop Installation Above Wall Oven



- A:** Cooktop
- B:** Built-in oven
- C:** Cooktop conduit fitting
- D:** Dimensions based on standard countertop height: 36" (914 mm) with 4 3/4" (121 mm) toe kick including base plate  
The built-in oven can be installed below the electric cooktop as long as there is no contact between the bottom of the cooktop and the top of the oven

Measurements in inches (mm)



# 800 / 500 Series 30" Electric Cooktops



### 30" 800 Series NET8069UC

- +PreciseSelect® Control
- +9", 3,600 W Dual-Ring Element
- +Bridge Element



### 30" 500 Series NEM5066UC

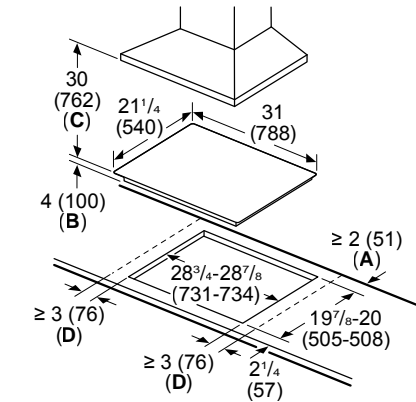
- 7" Dual-Ring Element
- 9", 2,500 W Element
- Residual Heat Indicator
- Stainless Steel Color Knobs

+ Indicates a step-up feature

	30" 800 Series	30" 500 Series
	Black – NET8069UC	Black Frameless – NEM5066UC
<b>General Properties</b>		
Knob material	–	Stainless steel color – plastic
<b>Element Performance</b>		
Power of front left heating element	1,800 W	1,700 / 700 W
Power of back left heating element	1,800 W	1,800 W
Power of back right heating element	3,600 / 1,400 W	1,200 W
Power of front right heating element	1,200 W	2,500 W
<b>Element Size</b>		
Dimension of front left heating element	7"	7", 5"
Dimension of back left heating element	7"	7"
Dimension of back right heating element	9", 6"	6"
Dimension of front right heating element	6"	9"
<b>Technical Details</b>		
Watts	8,300 W	7,200 W
Circuit breaker	40 A	30 A
Volts	208–240 V	208–240 V
Frequency	60 Hz	60 Hz
Plug type	No plug	No plug
Energy source	Electric	Electric
<b>Dimensions &amp; Weight</b>		
Overall appliance dimensions (HxWxD)	4" x 31" x 21 1/4"	4" x 31" x 21 1/4"
Required cutout size (HxWxD)	4" x 28 7/8" x 20"	4" x 28 7/8" x 20"
Minimum distance from counter front	2 1/4"	2 1/4"
Minimum distance from rear wall	2"	2"
Net weight	27 lbs	25 lbs

# 800 / 500 Series 30" Electric Cooktops

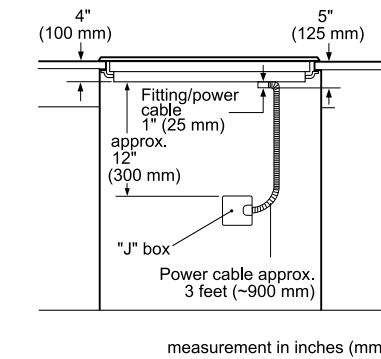
### 30" Cooktop and Cutout Dimensions



- A:** Min. distance from the cooktop cut-out to the wall
- B:** Max. recessed depth
- C:** Min. distance between the surface of the cooktop and the underside of the ventilation hood. This distance can be smaller, check installation instructions of ventilation hood
- D:** Min. distance from the cooktop cut-out to the side wall

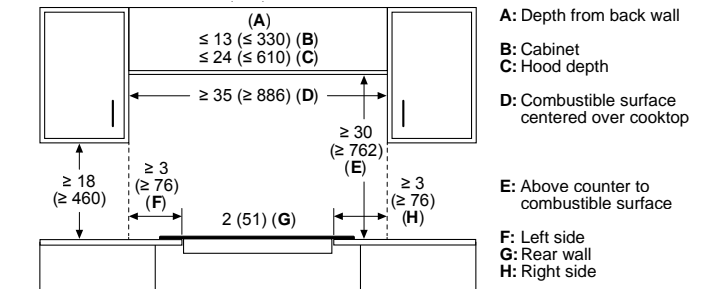
Measurements in inches (mm)

### Cooktop Electrical Location



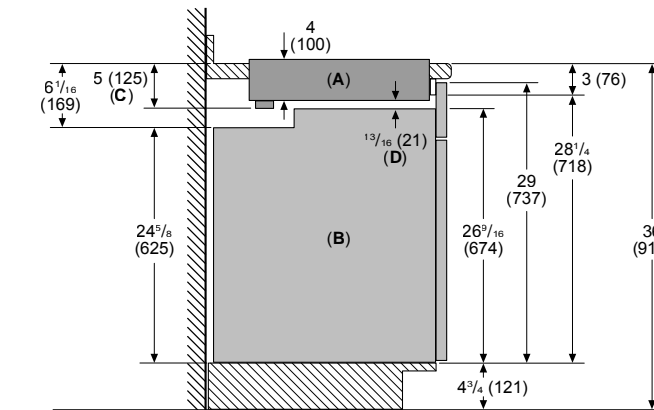
**NOTE:** Bosch electric cooktops can be installed in combination with other Bosch cooking products. See pages 92–93 for details.

### Clearances



Measurements in inches (mm)

### Cooktop Installation Above Wall Oven



- A:** Cooktop
- B:** Built-in oven
- C:** Cooktop conduit fitting
- D:** Dimensions based on standard countertop height: 36" (914 mm) with 4 3/4" (121 mm) toe kick including base plate. The built-in oven can be installed below the electric cooktop as long as there is no contact between the bottom of the cooktop and the top of the oven

Measurements in inches (mm)



# 800 Series 36" Electric Cooktop



**36" 800 Series**  
**NET8669UC**

- +PreciseSelect®
- +9", 3,600 W Center Element
- +SpeedBoost®
- +Bridge element

+ Indicates a step-up feature

**36" 800 Series**

Black – NET8669UC

**General Properties**

Knob material	-
---------------	---

**Element Performance**

Power of front left heating element	1,800 W
Power of back left heating element	1,800 W
Power of center heating element	3,600 / 1,400 W
Power of back right heating element	1,200 W
Power of front right heating element	1,900 / 800 W

**Element Size**

Dimension of front left heating element	7"
Dimension of back left heating element	7"
Dimension of center heating element	9", 6"
Dimension of back right heating element	6"
Dimension of front right heating element	8", 5"

**Technical Details**

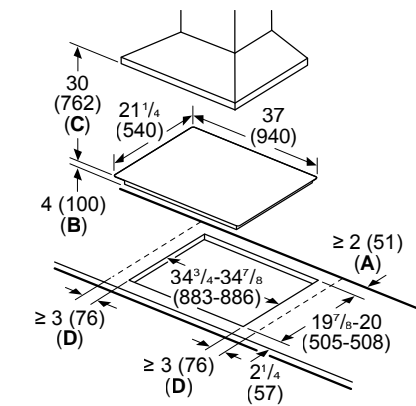
Watts	10,200 W
Circuit breaker	50 A
Volts	208 – 240 V
Frequency	60 Hz
Plug type	No plug
Energy source	Electric

**Dimensions & Weight**

Overall appliance dimensions (HxWxD)	4" x 37" x 21 1/4"
Required cutout size (HxWxD)	4" x 34 7/8" x 20"
Minimum distance from counter front	2 1/4"
Minimum distance from rear wall	2"
Net weight	31 lbs

# 800 Series 36" Electric Cooktop

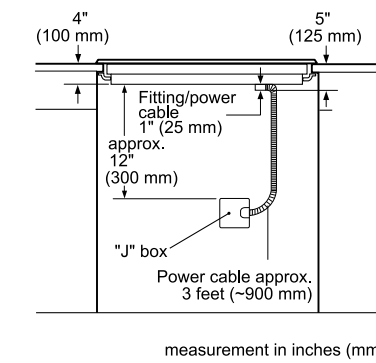
**36" Cooktop and Cutout Dimensions**



- A:** Min. distance from the cooktop cut-out to the wall
- B:** Max. recessed depth
- C:** Min. distance between the surface of the cooktop and the underside of the ventilation hood  
This distance can be smaller, check installation instructions of ventilation hood
- D:** Min. distance from the cooktop cut-out to the side wall

Measurements in inches (mm)

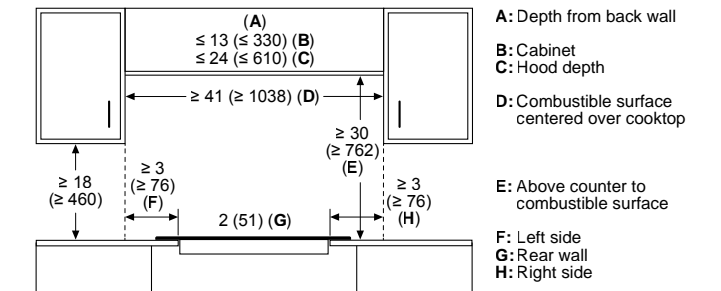
**Cooktop Electrical Location**



measurement in inches (mm)

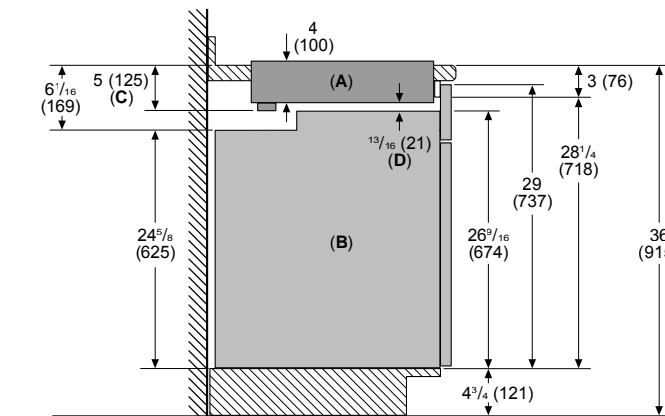
**NOTE:** Bosch electric cooktops can be installed in combination with other Bosch cooking products. See pages 92-93 for details.

**Clearances**



Measurements in inches (mm)

**Cooktop Installation Above Wall Oven**



- A:** Cooktop
- B:** Built-in oven
- C:** Cooktop conduit fitting
- D:** Dimensions based on standard countertop height: 36" (914 mm) with 4 3/4" (121 mm) toe kick including base plate  
The built-in oven can be installed below the electric cooktop as long as there is no contact between the bottom of the cooktop and the top of the oven

Measurements in inches (mm)



# 500 Series 24" Electric Cooktop



## 24" 500 Series NEM5466UC

- 8", 2,200 W Element
- 6", 1,850 W Element
- Residual Heat Indicator
- Stainless Steel Color Knobs

### 24" 500 Series

Black Frameless – NEM5466UC

#### General Properties

Knob material Plastic

#### Element Performance

Power of front left heating element	1,850 W
Power of back left heating element	2,200 W
Power of back right heating element	1,200 W
Power of front right heating element	1,800 W

#### Element Size

Dimension of front left heating element	6"
Dimension of back left heating element	8"
Dimension of back right heating element	6"
Dimension of front right heating element	7"

#### Technical Details

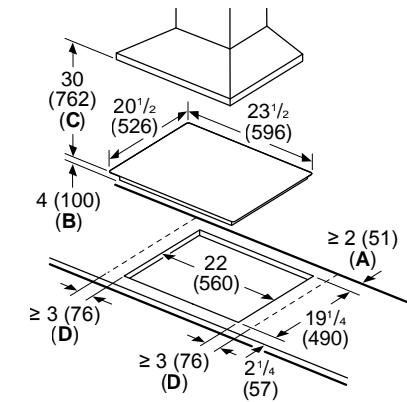
Watts	7,100 W
Circuit breaker	30 A
Volts	208–240 V
Frequency	60 Hz
Plug type	No plug
Energy source	Electric

#### Dimensions & Weight

Overall appliance dimensions (HxWxD)	4" x 23 1/2" x 20 1/2"
Required cutout size (HxWxD)	4 1/8" x 22" x 19 1/4"
Minimum distance from counter front	2 1/4"
Minimum distance from rear wall	2"
Net weight	20 lbs

# 500 Series 24" Electric Cooktop

## Cooktop and Cutout Dimensions



**A:** Min. distance from the cooktop cut-out to the wall

**B:** Max. recessed depth

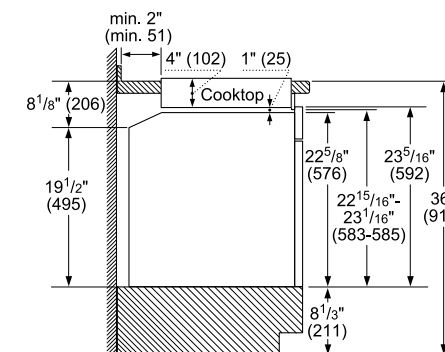
**C:** Min. distance between the surface of the cooktop and the underside of the exhaust hood

This distance can be smaller, check installation instructions of exhaust hood

**D:** Min. distance from the cooktop cut-out to the side wall

Measurements in inches (mm)

## Cooktop Installation Above Wall Oven



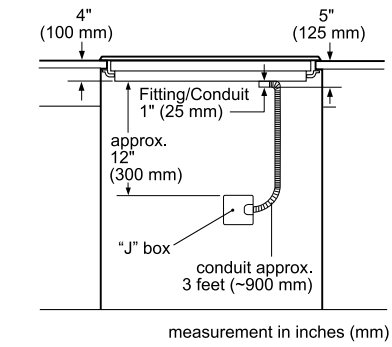
Notes: Dimensions based on standard countertop height (36" with 4 3/4" toe kick including base plate).

The built-in oven can be installed below the cooktop as long as there is at least 1" (25) of space between the bottom flat surface of the cooktop and the top of the oven.

Please allow at least 2" (51) from the countertop front edge to the edge of the cutout.

measurements in inches (mm)

## Gas Location



**NOTE:** Bosch electric cooktops can be installed in combination with other Bosch cooking products. See pages 92–93 for details.



# 800 Series Gas Rangetops



**30" 800 Series**  
**RGM8058UC**

- Commercial Design
- 18,000 BTU Dual Flame Ring Power Burner
- Dishwasher-safe Grates
- OptiSim® burner
- Stainless Steel Exterior & Knobs



**36" 800 Series**  
**RGM8658UC**

- Commercial Design
- 18,000 BTU Dual Flame Ring Power Burner
- Dishwasher-safe Grates
- OptiSim® burner
- Stainless Steel Exterior & Knobs

	30" 800 Series	36" 800 Series
	Stainless Steel – RGM8058UC	Stainless Steel – RGM8658UC

General Properties		
Number of Burners	4	6
Knob material	Metal	Metal
Control location	Up Front	Up Front
Sealed burners	Yes	Yes
Ignition system	Electric; flame failure device	Electric; flame failure device
Cooktop surface material	Porcelain coated steel	Porcelain coated steel
Grate material	Cast iron	Cast iron
Grate features	Continuous grates; dishwasher safe	Continuous grates; dishwasher safe

Element Performance		
Total BTU load (NG / LP)	47,000 / 47,000 BTU	77,000 / 77,000 BTU
Power of front left burner (NG / LP)	12,000 / 12,000 BTU	18,000 / 18,000 BTU Dual-flame
Power of back left burner (NG / LP)	12,000 / 12,000 BTU	12,000 / 12,000 BTU
Power of front center burner (NG / LP)	–	12,000 / 12,000 BTU
Power of back center burner (NG / LP)	–	12,000 / 12,000 BTU
Power of back right burner (NG / LP)	5,000 / 5,000 BTU	5,000 / 5,000 BTU OptiSim®
Power of front right burner (NG / LP)	18,000 / 18,000 BTU	18,000 / 18,000 BTU Dual-flame

Technical Details		
Circuit breaker	15 A	15 A
Volts	120 V	120 V
Frequency	60 Hz	60 Hz
Plug type	3 prong	3 prong
Power cord length	60"	60"
Energy source	Natural gas (factory set)	Natural gas (factory set)
Convertible to LP (kit required)	Yes	Yes

Dimensions & Weight		
Overall appliance dimensions (HxWxD)	7 1/2" x 29 15/16" x 26 5/8"	7 1/2" x 35 15/16" x 26 5/8"
Required cutout size (HxWxD)	7 3/8" x 30" x 24"	7 3/8" x 36" x 24"
Minimum distance from side wall	20"*	20"*
Net weight	31 lbs	34.5 lbs

Accessories – Included		
Included	LP conversion kit, OptiSim® cap	LP conversion kit, OptiSim® cap

\*If one side has a minimum distance of 28" (711 mm) to the wall, the other distance can be minimum 12" (305 mm) to the wall.

### Optional Accessories



**HEZ9GR41UC**  
Griddle



**HEZ9GW23UC**  
Wok Ring



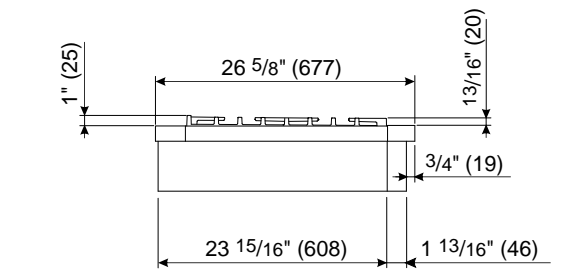
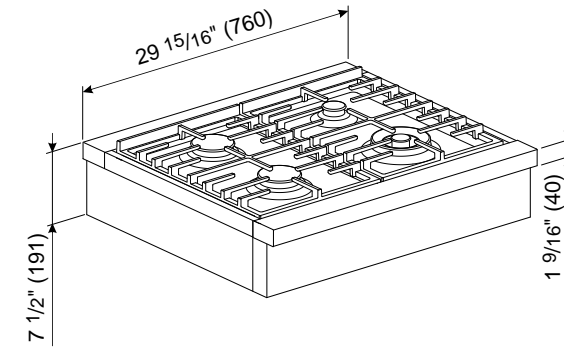
**HEZ7YZ30UC**  
9" Backguard for 30" Rangetop  
(Stainless Steel)



**HEZ7YZ36UC**  
9" Backguard for 36" Rangetop  
(Stainless Steel)

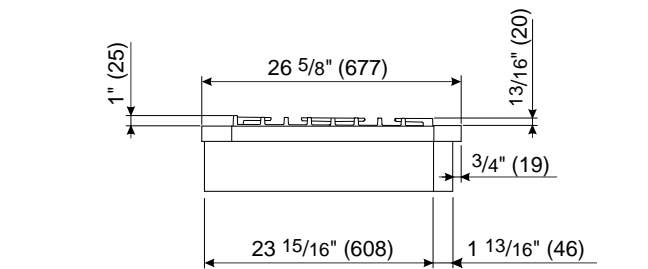
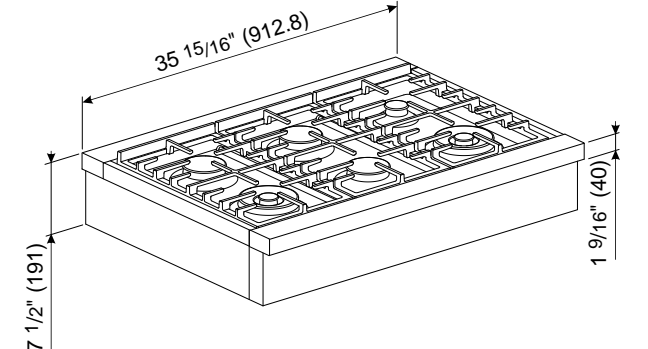
# 800 Series Gas Rangetops

### 30" Rangetop and Cutout Dimensions

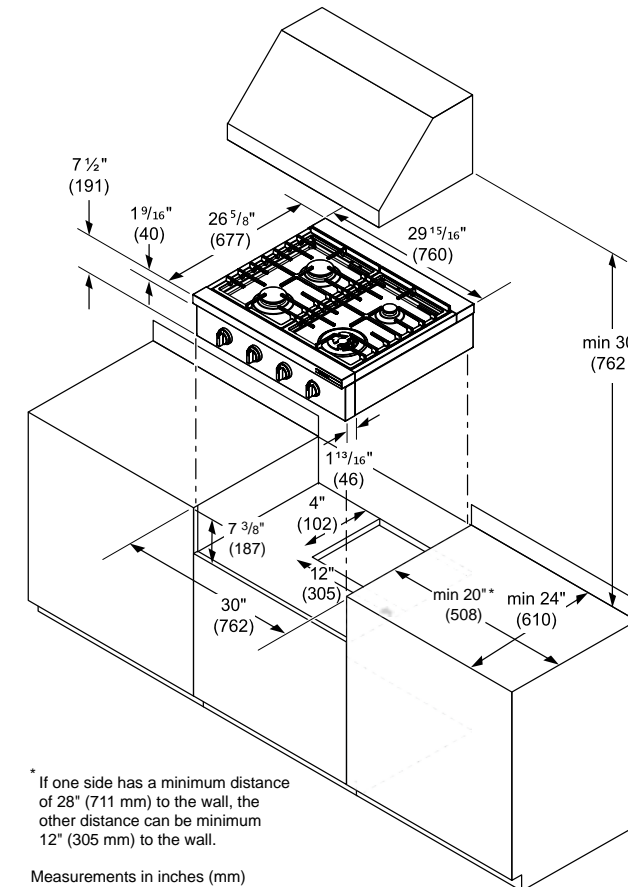


Measurements in inches (mm)

### 36" Rangetop and Cutout Dimensions

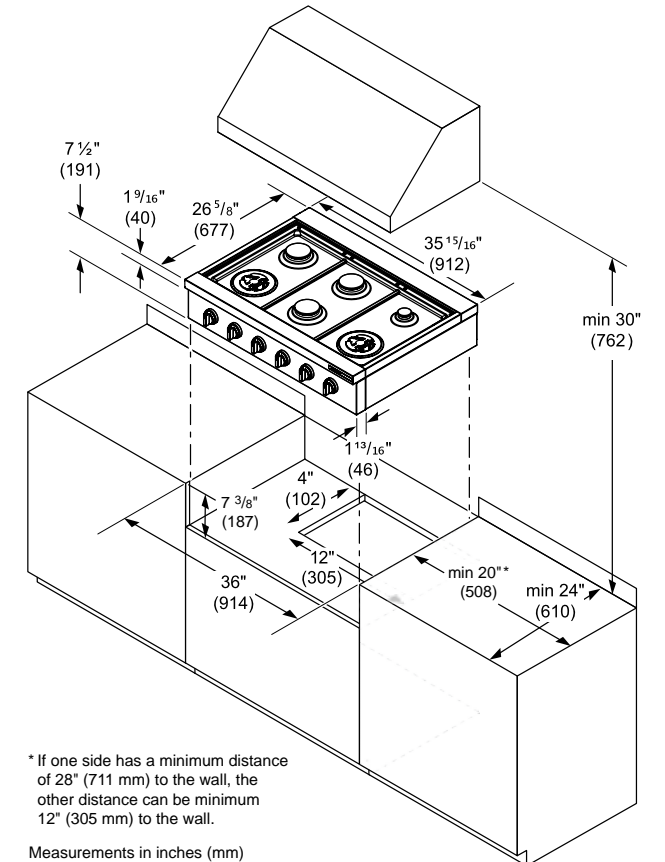


Measurements in inches (mm)



\* If one side has a minimum distance of 28" (711 mm) to the wall, the other distance can be minimum 12" (305 mm) to the wall.

Measurements in inches (mm)



\* If one side has a minimum distance of 28" (711 mm) to the wall, the other distance can be minimum 12" (305 mm) to the wall.

Measurements in inches (mm)





# Built-in Wall Ovens

Bosch ovens are designed to beautifully enhance any kitchen. Whether cooking a quiche for two or preparing a roast for twelve, our ovens are engineered with innovative technologies that perform flawlessly, day in and day out. Bosch ovens let you cook with creativity and ease, with features like QuietClose® doors that never slam shut after a hectic day. Convection Multi-Rack combines a third heating element with a back fan for even browning and time savings by using multiple racks at one time. With an understated, built-in look that makes a timeless statement, the Bosch oven compliments your taste in both cooking and design.

\*Source Euromonitor International Limited; BSH Hausgeräte GmbH in Built-in Major Appliances includes Large Cooking and Refrigeration Appliances, volume sales 2023



# Benchmark™ Series Built-in Wall Ovens

include these features:



## SideOpening Door

Our SideOpening oven doors make it more comfortable to access inside your oven.



## QuietClose® Doors

Our QuietClose® doors never slam shut, instead closing smoothly and effortlessly for stress-free cooking.



## Color TFT Control Panel

SteelTouch® buttons provide easy oven operation. The high definition display features easy-to-read text.




## Integrated Temperature Probe

Takes the guesswork out of cooking meats. The probe monitors the internal temperature of meats and automatically turns off the oven when the desired doneness is reached.



# Benchmark™ Series Single Ovens



**30" Benchmark™ Series  
HBLP454UC**

- 4.6 cu. ft.
- + Air Fry
- + Color TFT Control Panel
- QuietClose® Door
- Convection Multi-Rack



**SideOpening  
Left Swing Door  
HBLP451LUC**



**SideOpening  
Right Swing Door  
HBLP451RUC**

**30" Benchmark™ Series  
HBLP451LUC  
HBLP451RUC**

- 4.6 cu. ft.
- + AutoProbe
- QuietClose® Door
- Convection Multi-Rack
- + Color TFT Control Panel

+ Indicates a step-up feature

	30" Benchmark™ Series	30" Benchmark™ Series
	Stainless Steel – HBLP454UC	SideOpening Left Swing Stainless Steel – HBLP451LUC SideOpening Right Swing Stainless Steel – HBLP451RUC

### General Properties

Oven modes	Air Fry, Pizza, AutoProbe, EcoChef, Bake, Broil (Hi & Low), Roast, Warm, Proof Dough, Convection Bake, Convection Broil, Convection Roast, Convection Multi-Rack, Convection Conversion, Fast Preheat, Frozen Foods, Sabbath	Bake, Variable Broil (Hi & Low), Roast, Warm, Sabbath, Proof Dough, Convection Bake, Convection Broil, Convection Roast, Pizza, Convection Multi-Rack, Convection Conversion, AutoProbe, Fast Preheat, EcoChef, Speed Convection (Frozen Foods)
Cleaning type	Self clean	Self clean
Telescopic rack	1	1
Illumination type	Halogen	Halogen
Interior lights	2	2

### Oven Performance

Bake element wattages	2,400 W (4-pass)	2,400 W
Broil element wattages	3,800 W (12-pass)	3,800 W
Convection element wattages	2,000 W	2,000 W

### Technical Details

Watts	6,400 W at 240 V / 4,800 W at 208 V	6,325 W
Circuit breaker	30 A	30 A
Volts	240 / 208 V	240 / 208 V
Frequency	60 Hz	60 Hz
Power cord length	60"	60"
Plug type	Fixed connection, no plug	Fixed connection, no plug
Energy source	Electric	Electric

### Dimensions & Weight

Overall appliance dimensions (HxWxD)	29" x 29 3/4" x 24 1/2"	29" x 29 3/4" x 24 1/2"
Required cutout size – standard (HxWxD)	27" – 28 5/8"* x 28 1/2" x 23 1/2"	27" – 28 5/8"* x 28 1/2" x 23 1/2"
Required cutout size – flush (HxWxD)	29 1/8" x 30" x 24 1/2"	29 1/8" x 30 3/4" x 24 1/2"
Oven cavity size	4.6 cu. ft.	4.6 cu. ft.
Overall oven interior dimensions (HxWxD)	17 13/16" x 24 1/8" x 18"	17 13/16" x 24 1/8" x 18"
Usable oven interior dimensions (HxWxD)	12 5/16" x 23 1/4" x 15 1/4"	12 5/16" x 23 1/4" x 15 1/4"
Net weight	159 lbs	149 lbs

### Accessories – Included

Included	1 Telescopic and 2 standard oven racks, temperature probe, broiler pan	1 Telescopic and 2 standard oven racks, temperature probe, broiler pan
----------	--	--

\*For under counter installation, standard cut-out height is 28 1/4"

### Optional Accessories



**HEZTR301**  
30" Telescopic Rack



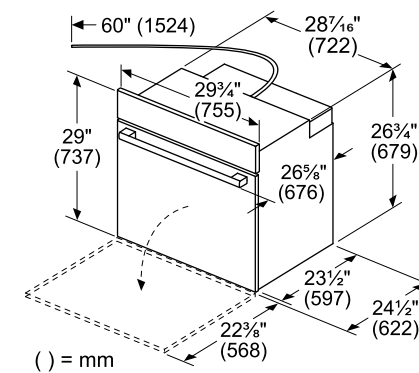
**00798845**  
30" Flat Rack



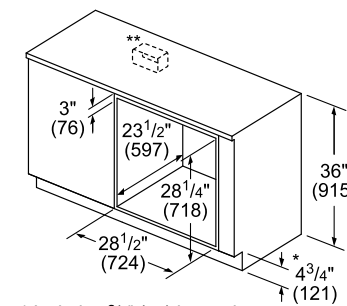
**00449757**  
Broiler Pan

# Benchmark™ Series Single Ovens

## 30" Single Wall Oven

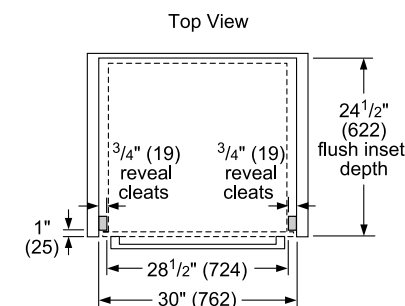


## Under-Counter Installation

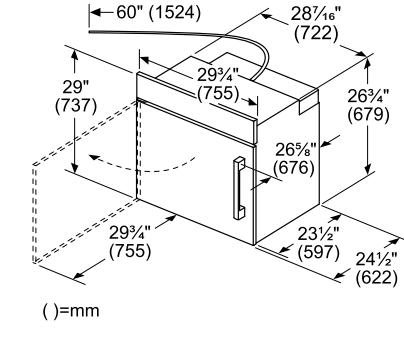


\*\*For single ovens installed under a countertop, the junction box may be located to the left or right of the unit within reach of the power conduit.

## 30" Single Wall Oven Flush Installation

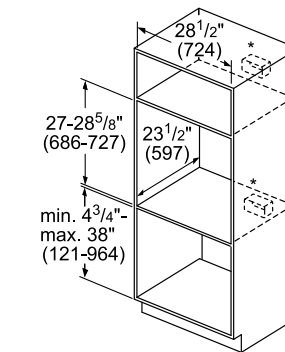


## 30" SideOpening Left Swing Door



Allow 3/4" (19 mm) gap to nearest cabinet face for door swing on SideOpening models

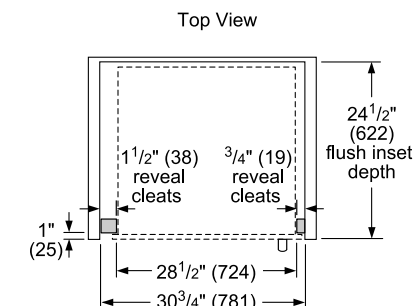
## Wall-Mounted Installation



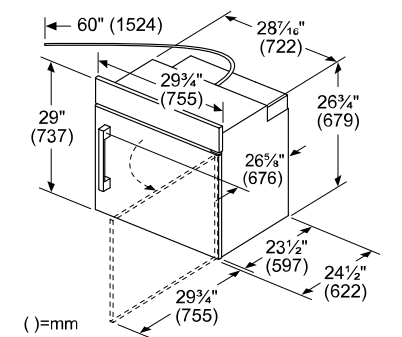
\* For single ovens installed into a wall cabinet, the junction box may be located above or beneath the unit within reach of the power conduit.

measurements in inches (mm)

## 30" SideOpening Left Swing Door Flush Installation

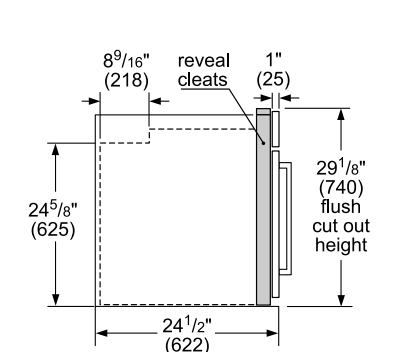


## 30" SideOpening Right Swing Door

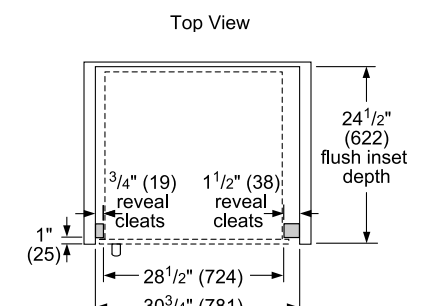


Allow 3/4" (19 mm) gap to nearest cabinet face for door swing on SideOpening models

## Single Wall Oven Flush Installation



## 30" SideOpening Right Swing Door Flush Installation



**NOTE:** Bosch single wall ovens can be installed in combination with other Bosch cooking products. See the guide on pages 81–95 for details.





# 800 Series Single Ovens



## 30" 800 Series HBL8454UC

- 4.6 cu. ft.
- Air Fry
- + QuietClose® Door
- Convection Multi-Rack
- Temperature Probe



+ Indicates a step-up feature

### 30" 800 Series

Stainless Steel – HBL8454UC

#### General Properties

Home Connect® (Wi-Fi enabled)	Yes
Oven modes	Air Fry, Pizza, Bake, Broil (Hi & Low), Roast, Warm, Proof Dough, Convection Bake, Convection Broil, Convection Roast, Convection Multi-Rack, Convection Conversion, Temperature Probe, Fast Preheat, Sabbath
Cleaning type	Self clean
Telescopic rack	1
Illumination type	Halogen
Interior lights	2

#### Oven Performance

Bake / broil element wattages	2,400 / 3,800 W
Convection element wattages	2,000 W

#### Technical Details

Watts	6,400 W at 240 V / 4,800 W at 208 V
Circuit breaker	30 A
Volts	240 / 208 V
Frequency	60 Hz
Power cord length	60"
Plug type	Fixed connection, no plug
Energy source	Electric

#### Dimensions & Weight

Overall appliance dimensions (HxWxD)	29" x 29 3/4" x 24 1/2"
Required cutout size – standard (HxWxD)	27" – 28 5/8" x 28 1/2" x 23 1/2"
Required cutout size – flush (HxWxD)	29 1/8" x 30" x 24 1/2"
Oven cavity size	4.6 cu. ft.
Overall oven interior dimensions (HxWxD)	17 13/16" x 24 1/8" x 18"
Usable oven interior dimensions (HxWxD)	12 5/16" x 23 1/4" x 15 1/4"
Net weight	159 lbs

#### Accessories – Included

Included	1 Telescopic and 2 standard oven racks, temperature probe
----------	---

\*For under counter installation, standard cut-out height is 28 1/4"

#### Optional Accessories



**HEZTR301**  
30" Telescopic Rack



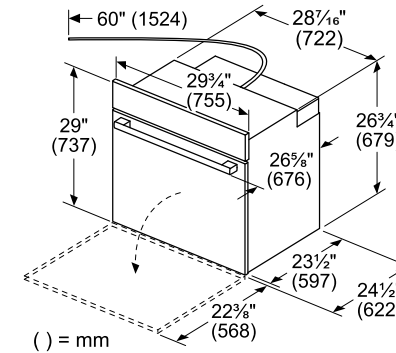
**00798845**  
30" Flat Rack



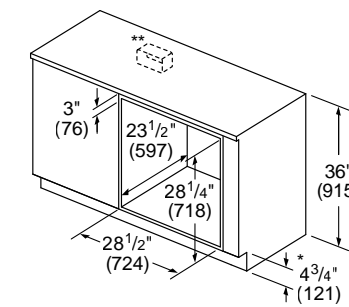
**00449757**  
Broiler Pan

# 800 Series Single Ovens

## 30" Single Wall Oven HBL8454UC



### Under-Counter Installation

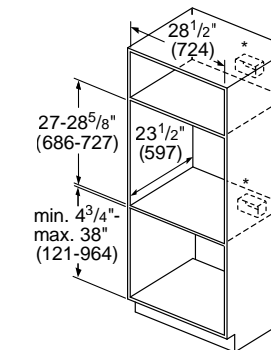


\* Includes 3/4" (19) base plate

\*\* For single ovens installed under a countertop, the junction box may be located to the left or right of the unit within reach of the power conduit.

measurements in inches (mm)

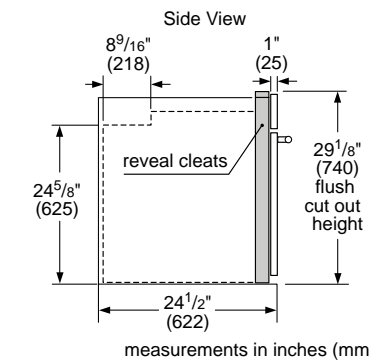
### Wall-Mounted Installation



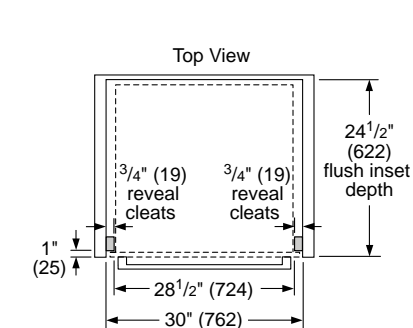
\* For single ovens installed into a wall cabinet, the junction box may be located above or beneath the unit within reach of the power conduit.

measurements in inches (mm)

### Single Wall Oven Flush Installation



### 30" Single Wall Oven Flush Install



**NOTE:** Bosch single wall ovens can be installed in combination with other Bosch cooking products. See the guide on pages 81–95 for details.



# 800 / 500 Series Single Ovens



- 800 Series**  
**30" HBL8443UC**  
**27" HBN8451UC (shown)**
- 4.6 cu. ft. (27" is 3.9 cu. ft.)
  - + QuietClose® Door
  - + Fast Preheat™
  - + Convection Multi-Rack
  - + Telescopic Rack
  - + Temperature Probe
  - + Home Connect® (30")
- Home Connect**



- 30" 500 Series**  
**HBL5451UC**
- 4.6 cu. ft.
  - + Convection Multi-Rack
  - Stainless Steel Knobs



- 30" 500 Series**  
**HBL5351UC**
- 4.6 cu. ft.
  - Thermal Cooking
  - Stainless Steel Knobs

	800 Series	30" 500 Series	30" 500 Series
+ Indicates a step-up feature	30" Black Stainless Steel – HBL8443UC 27" Stainless Steel – HBN8451UC	Stainless Steel – HBL5451UC	Stainless Steel – HBL5351UC

General Properties			
Home Connect® (Wi-Fi enabled)	Yes (30" Only)	No	No
Oven modes	Bake, Variable Broil (Hi & Low), Roast, Warm, Sabbath, Proof Dough, Convection Bake, Convection Broil, Convection Roast, Pizza, Convection Multi-Rack, Convection Conversion, Temperature Probe, Fast Preheat	Bake, Variable Broil (Hi & Low), Roast, Warm, Sabbath, Proof Dough, Convection Bake, Convection Broil, Convection Roast, Pizza, Convection Multi-Rack, Convection Conversion	Bake, Variable Broil (Hi & Low), Roast, Warm, Sabbath
Cleaning type	Self clean	Self clean	Self clean
Telescopic rack	1	0	0
Illumination type	30" Halogen / 27" Incandescent	Halogen	Halogen
Interior lights	2	1	1
Oven Performance			
Bake / broil element wattages	2,400 / 3,800 W	2,400 / 3,800 W	2,400 / 3,800 W
Convection element wattages	2,000 W	2,000 W	–
Technical Details			
Watts	6,325 W	6,400 W	6,275 W
Circuit breaker	30 A	30 A	30 A
Volts	240 / 208 V	240 / 208 V	240 / 208 V
Frequency	60 Hz	60 Hz	60 Hz
Power cord length	60"	60"	60"
Plug type	Fixed connection, no plug	Fixed connection, no plug	Fixed connection, no plug
Energy source	Electric	Electric	Electric

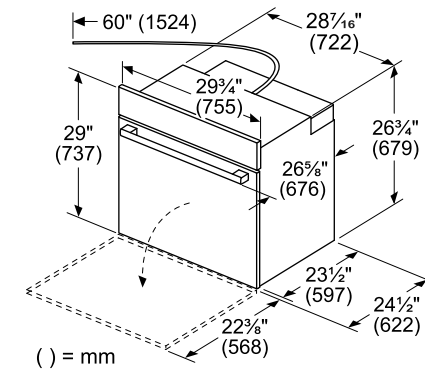
Dimensions & Weight			
Overall appliance dimensions (HxWxD)	30": 29" x 29 3/4" x 24 1/2" 27": 29" x 26 3/4" x 24 1/2"	29" x 29 3/4" x 24 1/2"	29" x 29 3/4" x 24 1/2"
Required cutout size – standard (HxWxD)	30": 27" – 28 5/8" x 28 1/2" x 23 1/2" 27": 27" – 28 5/8" x 25 1/2" x 23 1/2"	27" – 28 5/8" x 28 1/2" x 23 1/2"	27" – 28 5/8" x 28 1/2" x 23 1/2"
Required cutout size – flush (HxWxD)	30": 29 1/8" x 30" x 24 1/2" 27": 29 1/8" x 27" x 24 1/2"	29 1/8" x 30" x 24 1/2"	29 1/8" x 30" x 24 1/2"
Oven cavity size	30": 4.6 cu. ft.; 27": 3.9 cu. ft.	4.6 cu. ft.	4.6 cu. ft.
Overall oven interior dimensions (HxWxD)	30": 17 13/16" x 24 1/8" x 18" 27": 17 13/16" x 21 1/16" x 18"	17 13/16" x 24 1/8" x 18"	17 13/16" x 24 1/8" x 18"
Usable oven interior dimensions (HxWxD)	30": 12 1/4" x 23 1/4" x 15 1/4" 27": 12 5/16" x 20 1/4" x 15 1/4"	12 5/16" x 23 1/4" x 15 1/4"	12 5/16" x 23 1/4" x 15 1/4"
Net weight	30": 149 lbs; 27": 127 lbs	149 lbs	149 lbs

Accessories – Included			
Included	1 Telescopic and 2 standard oven racks, temperature probe	2 Standard oven racks	2 Standard oven racks

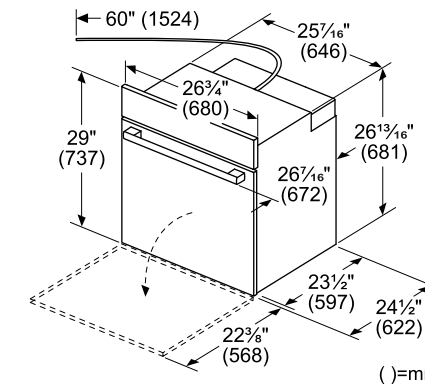
\*For under counter installation, standard cut-out height is 28 1/4"

# 800 / 500 Series Single Ovens

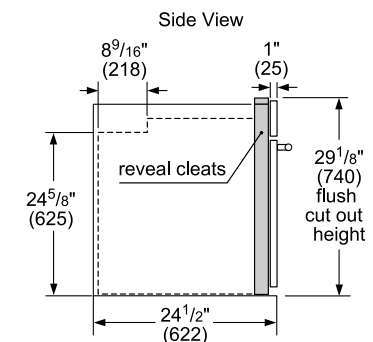
## 30" Single Wall Oven



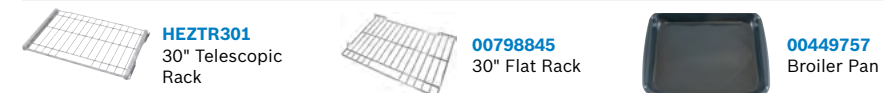
## 27" Single Wall Oven



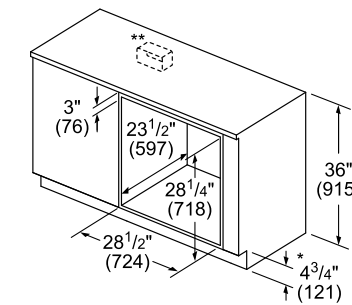
## Single Wall Oven Flush Installation



## Optional Accessories for 30" Single Wall Ovens

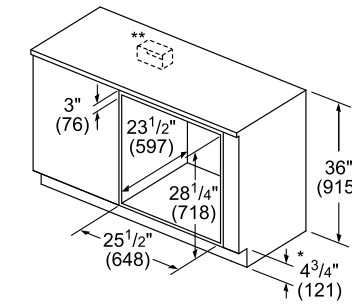


## 30" Single Oven Under-Counter Installation



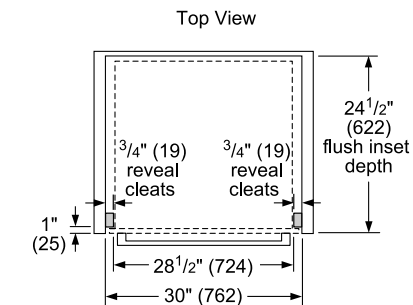
- \* Includes 3/4" (19) base plate
- \*\* For single ovens installed under a countertop, the junction box may be located to the left or right of the unit within reach of the power conduit.

## 27" Single Oven Under-Counter Installation

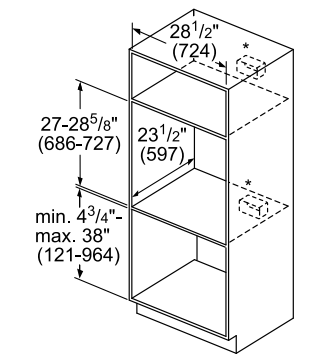


- \* Includes 3/4" (19) base plate
- \*\* For single ovens installed under a countertop, the junction box may be located to the left or right of the unit within reach of the power conduit.

## 30" Single Wall Oven Flush Install

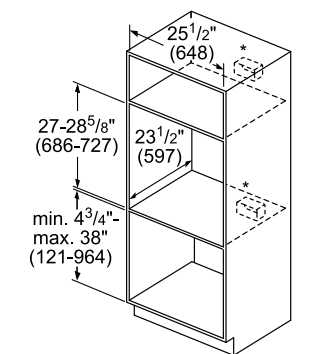


## 30" Single Oven Wall-Mounted Installation



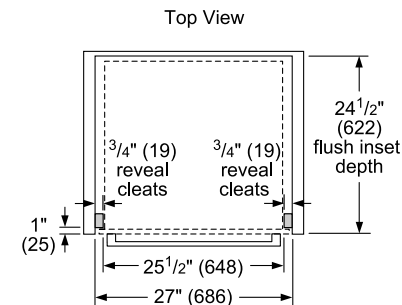
- \* For single ovens installed into a wall cabinet, the junction box may be located above or beneath the unit within reach of the power conduit.
- measurements in inches (mm)

## 27" Single Oven Wall-Mounted Installation



- \* For single ovens installed into a wall cabinet, the junction box may be located above or beneath the unit within reach of the power conduit.
- measurements in inches (mm)

## 27" Single Wall Oven Flush Install



**NOTE:** Bosch single wall ovens can be installed in combination with other Bosch cooking products. See pages 81–95 for details.



# 500 Series 24" Single Ovens



## 24" 500 Series HBE5453UC

- 2.8 cu. ft.
- Convection Multi-Rack
- Telescopic Rack
- DualClean® System

+ Indicates a step-up feature

### 24" 500 Series

Stainless Steel – HBE5453UC

#### General Properties

Home Connect® (Wi-Fi enabled)	No
Oven modes	Bake, Broil Plus, Convection Bake, Convection Broil, Convection Broil Plus, Convection Multi-Rack, Pie, Warm, Defrost, Frozen Foods
Cleaning type	DualClean® System (uses the cavity coating and heat to burn off most grease)
Telescopic rack	1
Illumination type	Halogen
Interior lights	2

#### Oven Performance

Bake / broil element wattages	1,300 / 2,950 W
Convection element wattages	1,700 W

#### Technical Details

Watts	3,100 W
Circuit breaker	20 A
Volts	240 / 208 V
Frequency	60 Hz
Power cord length	47 1/4"
Plug type	Fixed connection, no plug
Energy source	Electric

#### Dimensions & Weight

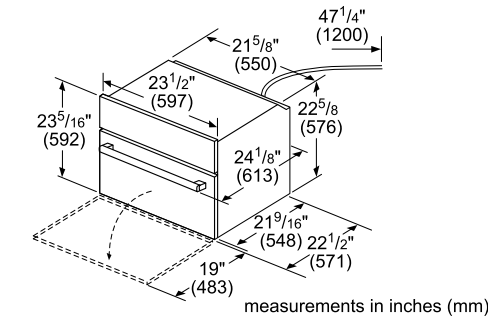
Overall appliance dimensions (HxWxD)	23 5/16" x 23 1/2" x 22 1/2"
Required cutout size – standard (HxWxD)	22 15/16" – 23 1/16" x 21 15/16" x 22 1/16"
Required cutout size – flush (HxWxD)	23 9/16" x 23 3/4" x 22 15/16"
Oven cavity size	2.8 cu. ft.
Overall oven interior dimensions (HxWxD)	15 5/16" x 18 1/4" x 17 5/8"
Usable oven interior dimensions (HxWxD)	14" x 17 1/2" x 16 5/16"
Net weight	87 lbs

#### Accessories – Included

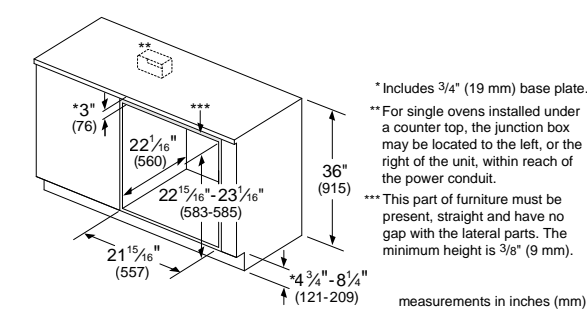
Included	1 Standard rack, 1 telescopic extension rail, 1 enamel baking pan
----------	---

# 500 Series 24" Single Ovens

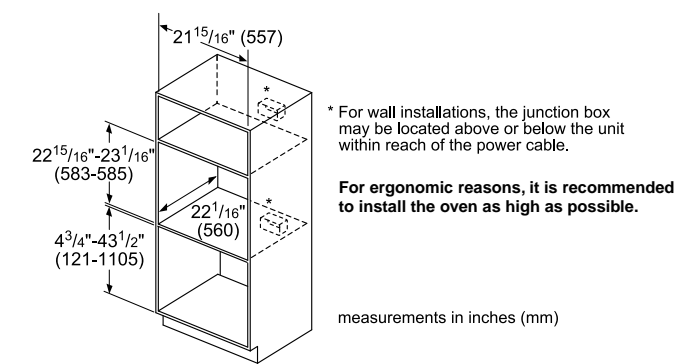
## Product Dimensions



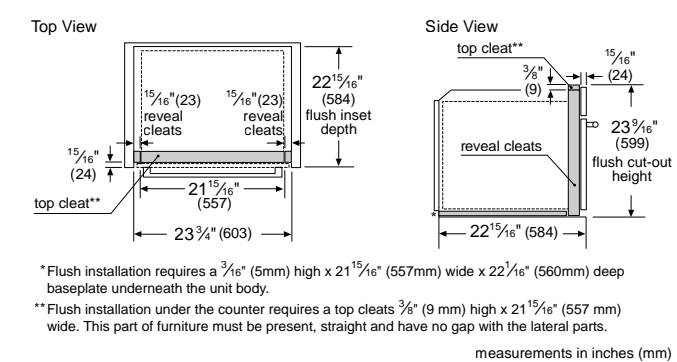
## Under-Counter Installation



## Wall-Mounted Installation



## Flush Installation



# Benchmark™ Series Speed Combination Oven



## 30" Benchmark™ Series Speed Combination Oven HBLP752UC

- 240V Speed Oven (U)
- AutoProbe (L)
- Convection Multi-Rack (U&L)
- QuietClose® Door
- Telescopic Rack (L)

U=Upper; L=Lower

### 30" Benchmark™ Series

Stainless Steel – HBLP752UC

#### General Properties

Oven modes – upper oven	Speed oven; TFT display, 12 Auto Programs (Including Auto Defrost, Melt Butter, Soften Ice Cream, Pizza), 9 Sensor Cook Programs, 9 SpeedChef® Programs, Hi & Lo Broil, Convection Multi-Rack, Keep Warm, Frozen Foods
Oven modes – lower oven	Bake, Variable Broil (Hi & Low), Roast, Warm, Sabbath, Proof Dough, Convection Bake, Convection Broil, Convection Roast, Pizza, Convection Multi-Rack, Convection Conversion, AutoProbe, Fast Preheat, EcoChef, Speed Convection (Frozen Foods)
Cleaning type – lower oven	Self clean
Telescopic rack	1
Illumination type	LED (upper) / Halogen (lower)
Interior lights – upper / lower oven	1 / 2

#### Oven Performance

Microwave power – upper oven	1000 W
Bake / broil element wattages – upper oven	600 / 1,750 W
Bake / broil element wattages – lower oven	2,400 / 3,800 W
Convection element wattages – upper oven / lower oven	1,700 W / 2,000 W

#### Technical Details

Watts	9,600 W
Circuit breaker	40 A
Volts; Frequency	240 / 208 V; 60 Hz
Power cord length	60"
Plug type	Fixed connection, no plug
Energy source	Electric
Installation type	–

#### Dimensions & Weight

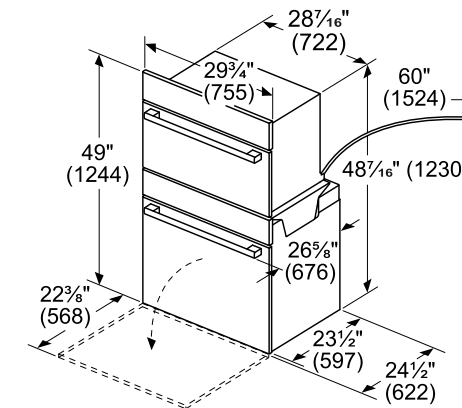
Overall appliance dimensions (HxWxD)	49" x 29 3/4" x 24 1/2"
Required cutout size – standard (HxWxD)	48 5/8" x 28 1/2" x 23 1/2"
Required cutout size – flush (HxWxD)	49 1/8" x 30" x 24 1/2"
Oven cavity size – upper / lower oven	1.6 / 4.6 cu. ft.
Overall lower oven interior dimensions (HxWxD)	17 13/16" x 24 1/8" x 18"
Usable lower oven interior dimensions (HxWxD)	12 5/16" x 23 1/4" x 15 1/4"
Net weight	259 lbs

#### Accessories – Included

Included	Upper oven: metal turntable, square rack, ceramic cooking tray; Lower oven: 1 telescopic and 2 standard oven racks, temperature probe, broiler pan
----------	--

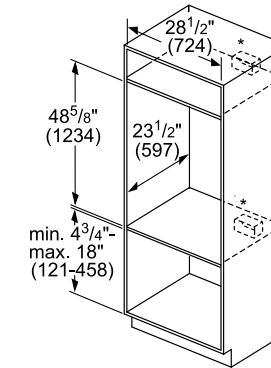
# Benchmark™ Series Speed Combination Oven

## Product Dimensions



( ) = mm

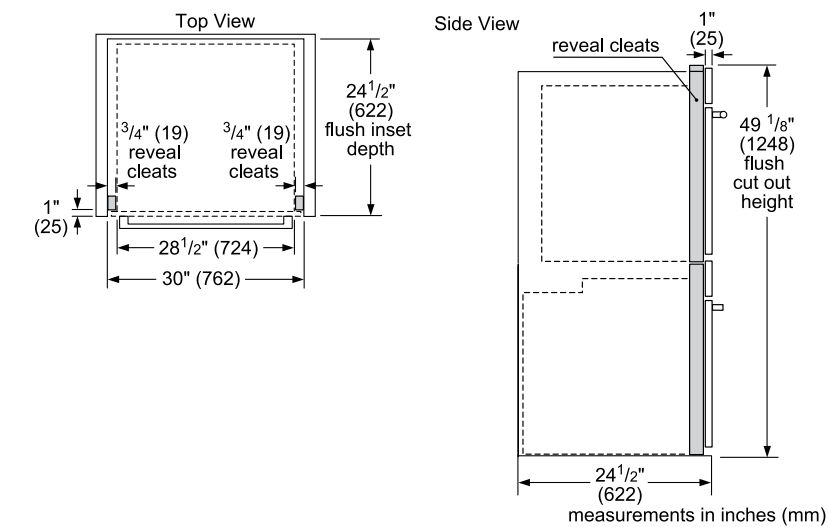
## Cutout Dimensions



\* Junction box may be installed above, below, or to the left or right of the unit within reach of the power cable

measurements in inches (mm)

## Flush Installation



**NOTE:** Bosch combination wall ovens can be installed in combination with other Bosch cooking products. See page 85 for details.

#### Optional Accessories for Lower Oven



**HEZTR301**  
30" Telescopic Rack

**00798845**  
30" Flat Rack

**00449757**  
Broiler Pan



# 800 Series Combination Ovens

**30" 800 Series**  
**HBL8753UC**  
**HBL8743UC**

- 240V Speed Oven (U)
- 4.6 cu. ft. (L)
- + 12 Auto Programs (U)
- + Telescopic Rack (L)
- + Convection Multi-Rack (U&L)
- Home Connect® (L)

Black  
 Stainless Steel

**Home Connect**

**30" 800 Series**  
**HBL87M53UC**

- 120V Microwave Oven (U)
- 4.6 cu. ft. (L)
- QuietClose® Door (L)
- Telescopic Rack (L)
- Convection Multi-Rack (L)
- Temperature Probe (L)
- Home Connect® (L)

**Home Connect**

+ Indicates a step-up feature  
 U=Upper; L=Lower

30" 800 Series	30" 800 Series
Stainless Steel – HBL8753UC Black Stainless Steel – HBL8743UC	Stainless Steel – HBL87M53UC

### General Properties

	30" 800 Series	30" 800 Series
Home Connect® (Wi-Fi enabled)	Yes	Yes (lower)
Oven modes – upper oven	Speed Oven; 12 Auto Programs (Including Auto Defrost, Melt Butter, Soften Ice Cream, Pizza), 9 Sensor Cook Programs, 9 SpeedChef® Programs, Hi & Lo Broil, Convection Multi-Rack, Keep Warm, Frozen Foods	Microwave; 10 Sensor Cooking Programs (Including Baked Potato, Sweet Potato, Fresh Vegetable, Frozen Vegetable, Ground Meat, Fish/Seafood, Brown Rice, White Rice, Frozen Entrées, Reheat), Popcorn, Beverage, Melt/Softens, Defrost
Oven modes – lower oven	Bake, Variable Broil (Hi & Low), Roast, Warm, Sabbath, Proof Dough, Convection Bake, Convection Broil, Convection Roast, Pizza, Convection Multi-Rack, Convection Conversion, Temperature Probe, Fast Preheat	Bake, Variable Broil (Hi & Low), Roast, Warm, Sabbath, Proof Dough, Convection Bake, Convection Broil, Convection Roast, Pizza, Convection Multi-Rack, Convection Conversion, Temperature Probe, Fast Preheat
Cleaning type – lower oven	Self clean	Self clean
Telescopic rack	1	1
Illumination type	LED (upper) / Halogen (lower)	LED (upper) / Halogen (lower)
Interior lights – upper / lower oven	1 / 2	1 / 2

### Oven Performance

Microwave power – upper oven	1000 W	950 W
Bake / broil element wattages – upper	600 / 1,750 W	–
Convection element wattages – upper	1,700 W	–
Bake / broil element wattages – lower	2,400 / 3,800 W	2,400 / 3,800 W
Convection element wattages – lower	2,000 W	2,000 W

### Technical Details

Watts	9,600 W	9,600 W
Circuit breaker; Volts; Frequency	40 A; 240 / 208 V; 60 Hz	40 A; 240 / 208 V; 60 Hz
Power cord length	60"	60"
Plug type	Fixed connection, no plug	Fixed connection, no plug
Energy source	Electric	Electric

### Dimensions & Weight

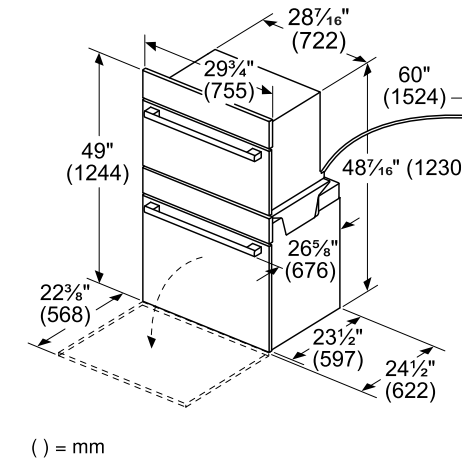
Overall appliance dimensions (HxWxD)	49" x 29 3/4" x 24 1/2"	49" x 29 3/4" x 24 1/2"
Required cutout size – standard (HxWxD)	48 5/8" x 28 1/2" x 23 1/2"	48 5/8" x 28 1/2" x 23 1/2"
Required cutout size – flush (HxWxD)	49 1/8" x 30" x 24 1/2"	49 1/8" x 30" x 24 1/2"
Oven cavity size – upper / lower oven	1.6 / 4.6 cu. ft.	1.6 / 4.6 cu. ft.
Overall upper oven interior (HxWxD)	9 7/8" x 16 1/2" x 16 1/2"	9 7/8" x 16 1/2" x 16 1/2"
Overall lower oven interior (HxWxD)	17 13/16" x 24 1/8" x 18"	17 13/16" x 24 1/8" x 18"
Usable lower oven interior (HxWxD)	12 1/4" x 23 1/4" x 15 1/4"	12 1/4" x 23 1/4" x 15 1/4"
Net weight	259 lbs	259 lbs

### Accessories – Included

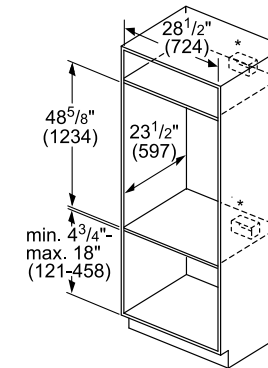
Included	Upper oven: metal turntable, square rack, ceramic cooking tray; Lower oven: 1 telescopic and 2 standard oven racks, temperature probe	Upper Oven: glass turntable Lower Oven: 1 telescopic and 2 standard oven racks, temperature probe
----------	--	--

# 800 Series Combination Ovens

### Product Dimensions



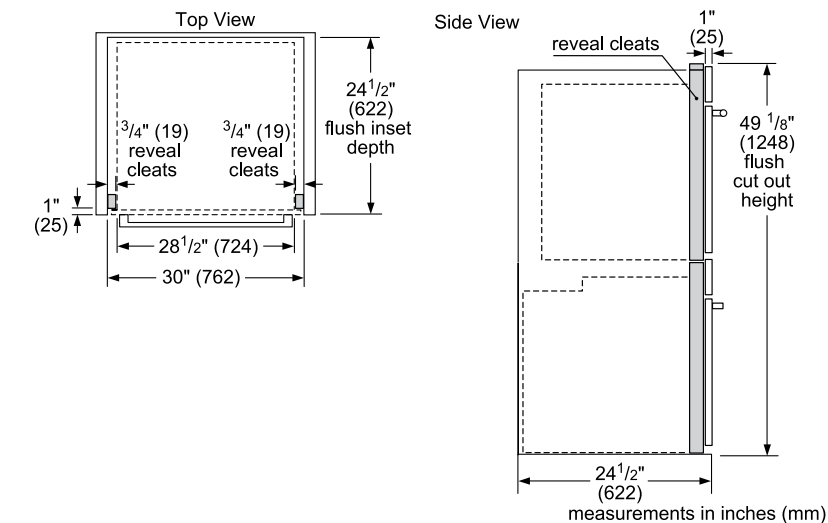
### Cutout Dimensions



\* Junction box may be installed above, below, or to the left or right of the unit within reach of the power cable

measurements in inches (mm)

### Flush Installation



**NOTE:** Bosch combination wall ovens can be installed in combination with other Bosch cooking products. See page 90 for details.

### Optional Accessories for Lower Oven

**HEZTR301**  
30" Telescopic Rack

**00798845**  
30" Flat Rack

**00449757**  
Broiler Pan



# 500 Series Combination Ovens



**30" 500 Series  
HBL5754UC**

- 240V Speed Oven (U)
- 4.6 cu. ft. (L)
- +12 Auto Programs (U)
- +1000 W Microwave (U)
- Convection Multi-Rack (L)



**30" 500 Series  
HBL57M52UC**

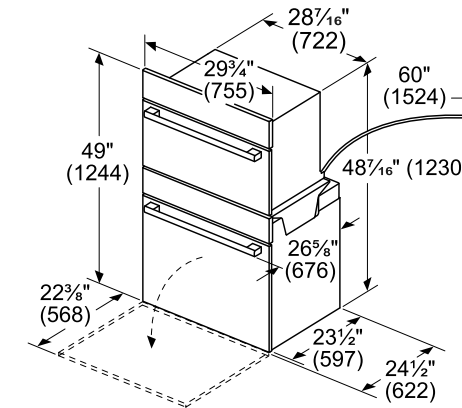
- 120V Microwave Oven (U)
- 4.6 cu. ft. (L)
- Convection Multi-Rack (L)
- Stainless Steel Knobs (L)

+ Indicates a step-up feature  
U=Upper; L=Lower

	30" 500 Series Stainless Steel – HBL5754UC	30" 500 Series Stainless Steel – HBL57M52UC
<b>General Properties</b>		
Oven modes – upper oven	Speed Oven; 12 Auto Programs (including Auto Defrost, Melt Butter, Soften Ice Cream, Pizza), 10 Sensor Cook Programs, 9 SpeedChef® Programs, Keep Warm, Frozen Foods Defrost, Convection Broil (fan + broil), Convection Bake	Microwave; 10 Sensor Cooking Programs (Including Baked Potato, Sweet Potato, Fresh Vegetable, Frozen Vegetable, Ground Meat, Fish/Seafood, Brown Rice, White Rice, Frozen Entrées, Reheat), Popcorn, Beverage, Melt/Softens, Defrost
Oven modes – lower oven	Bake, Broil (Hi & Low), Roast, Warm, Proof Dough, Convection Bake, Convection Broil, Convection Roast, Pizza, Convection Multi-Rack, Convection Conversion, Sabbath	Bake, Variable Broil (Hi & Low), Roast, Warm, Sabbath, Proof Dough, Convection Bake, Convection Broil, Convection Roast, Pizza, Convection Multi-Rack, Convection Conversion
Cleaning type – lower oven	Self clean	Self clean
Telescopic rack	1	0
Illumination type	LED (upper) / Halogen (lower)	LED (upper) / Halogen (lower)
Interior lights – upper / lower oven	1 / 2	1 / 1
<b>Oven Performance</b>		
Max. microwave power – upper oven	1000 W	950 W
Microwave power levels	10	10
Bake / broil element wattages – upper	600 / 1,750 W	–
Convection element wattages – upper	1,700 W	–
Bake / broil element wattages – lower	2,400 / 3,800 W	2,400 / 3,800 W
Convection element wattages – lower	2,000 W	2,000 W
<b>Technical Details</b>		
Watts	9,600 W at 240 V / 8,400 at 208 V	9,600 W
Circuit breaker; Volts; Frequency	40 A; 240 / 208 V; 60 Hz	40 A; 240 / 208 V; 60 Hz
Power cord length	60"	60"
Plug type	Fixed connection, no plug	Fixed connection, no plug
Energy source	Electric	Electric
<b>Dimensions &amp; Weight</b>		
Overall appliance dimensions (HxWxD)	49" x 29 3/4" x 24 1/2"	49" x 29 3/4" x 24 1/2"
Required cutout size – standard (HxWxD)	48 5/8" x 28 1/2" x 23 1/2"	48 5/8" x 28 1/2" x 23 1/2"
Required cutout size – flush (HxWxD)	49 1/8" x 30" x 24 1/2"	49 1/8" x 30" x 24 1/2"
Oven cavity size – upper / lower oven	1.6 / 4.6 cu. ft.	1.6 / 4.6 cu. ft.
Overall upper oven interior (HxWxD)	9 7/8" x 16 1/2" x 16 1/2"	9 7/8" x 16 1/2" x 16 1/2"
Turntable – glass max. cookware – upper	–	14 1/8" dia.
Turntable – metal max. cookware – upper	12 3/4" dia.	–
Turntable – ceramic tray max. – upper	12 1/2" dia.	–
Rack – rectangular max. cookware – upper	15" x 12"	–
Overall lower oven interior (HxWxD)	17 13/16" x 24 1/8" x 18"	17 13/16" x 24 1/8" x 18"
Usable lower oven interior (HxWxD)	12 5/16" x 23 1/4" x 15 1/4"	12 5/16" x 23 1/4" x 15 1/4"
Net weight	272 lbs	259 lbs
<b>Accessories – Included</b>		
Included	Upper Oven: metal turntable, square rack, ceramic cooking tray; Lower Oven: 2 standard oven racks	Upper oven: glass turntable Lower oven: 3 standard oven racks

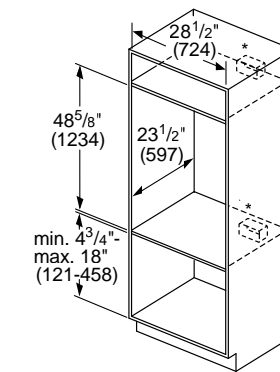
# 500 Series Combination Ovens

## Product Dimensions



( ) = mm

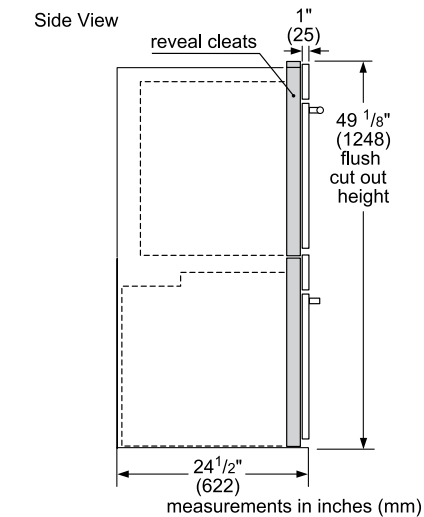
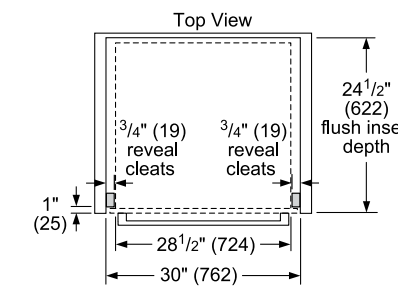
## Cutout Dimensions



\* Junction box may be installed above, below, or to the left or right of the unit within range of the power conduit.

measurements in inches (mm)

## Flush Installation



**NOTE:** Bosch combination wall ovens can be installed in combination with other Bosch cooking products. See page 90 for details.

## Optional Accessories for Lower Oven



**HEZTR301**  
30" Telescopic Rack



**00798845**  
30" Flat Rack



**00449757**  
Broiler Pan



# Benchmark™ Series Double Ovens



**Standard Opening Door**  
HBLP651UC



**SideOpening Left Swing Door**  
HBLP651LUC



**SideOpening Right Swing Door**  
HBLP651RUC

## 30" Benchmark™ Series Double Ovens

- Convection Multi-Rack (U&L)
- AutoProbe (U), Temperature Probe (L)
- QuietClose® Door
- Telescopic Rack (U)
- Fast Preheat
- EcoChef

U=Upper; L=Lower

### 30" Benchmark™ Series

Standard Opening Stainless Steel – HBLP651UC  
SideOpening Left Swing Stainless Steel – HBLP651LUC  
SideOpening Right Swing Stainless Steel – HBLP651RUC

### General Properties

Oven modes – upper oven	Bake, Variable Broil (Hi & Low), Roast, Warm, Sabbath, Proof Dough, Convection Bake, Convection Broil, Convection Roast, Pizza, Convection Multi-Rack, Convection Conversion, AutoProbe, Fast Preheat, EcoChef, Speed Convection (Frozen Foods)
Oven modes – lower oven	Identical to upper oven (exception: lower oven does not feature temperature probe and EcoChef)
Cleaning type – upper oven	Self clean
Cleaning type – lower oven	Self clean
Telescopic rack	1
Illumination type – upper / lower oven	Halogen
Interior lights	2 upper, 2 lower

### Oven Performance

Bake / broil element wattages – upper oven	2,400 / 3,800 W
Convection element wattages – upper oven	2,000 W
Bake / broil element wattages – lower oven	2,400 / 3,800 W
Convection element wattages – lower oven	2,000 W

### Technical Details

Watts	9,125 W
Circuit breaker	40 A
Volts	240 / 208 V
Frequency	60 Hz
Power cord length	60"
Plug type	Fixed connection, no plug
Energy source	Electric

### Dimensions & Weight

Overall appliance dimensions (HxWxD)	52 1/16" x 29 3/4" x 24 1/2"
Required cutout size – standard (HxWxD)	49 3/4" – 51 1/2" x 28 1/2" x 23 1/2"
Required cutout size – flush (HxWxD)	Standard Opening Door: 52 3/16" x 30" x 24 1/2" Side Swing Door: 52 3/16" x 30 3/4" x 24 1/2"
Oven cavity size	4.6 cu. ft.
Overall oven interior dimensions (HxWxD)	17 13/16" x 24 1/8" x 18"
Usable oven interior dimensions (HxWxD)	12 5/16" x 23 1/4" x 15 1/4"
Net weight	261 lbs

### Accessories – Included

Included	Upper oven: 1 telescopic and 2 standard oven racks, temperature probe, broiler pan; Lower oven: 3 standard oven racks
----------	---

### Optional Accessories



**HEZTR301**  
30" Telescopic Rack



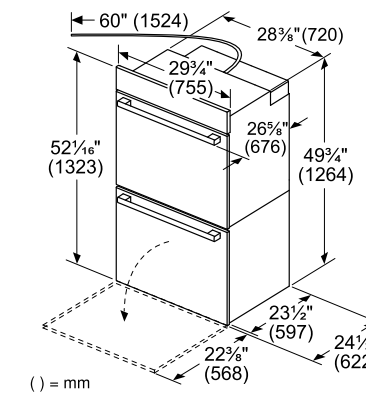
**00798845**  
30" Flat Rack



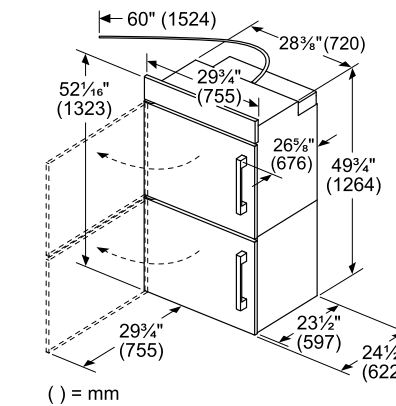
**00449757**  
Broiler Pan

# Benchmark™ Series Double Ovens

## 30" Double Wall Oven

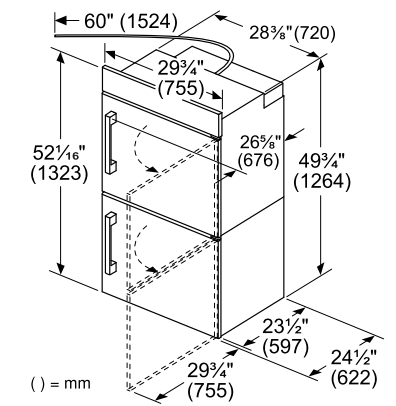


## 30" SideOpening Left Swing Door



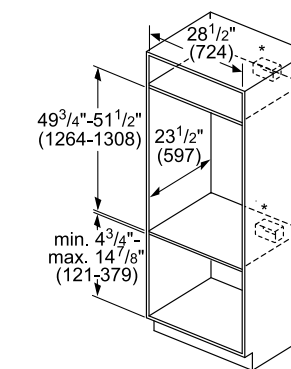
Allow 3/4" (19 mm) gap to nearest cabinet face for door swing on SideOpening models

## 30" SideOpening Right Swing Door

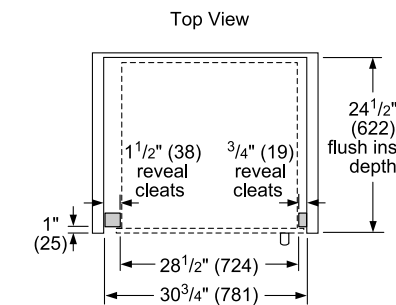


Allow 3/4" (19 mm) gap to nearest cabinet face for door swing on SideOpening models

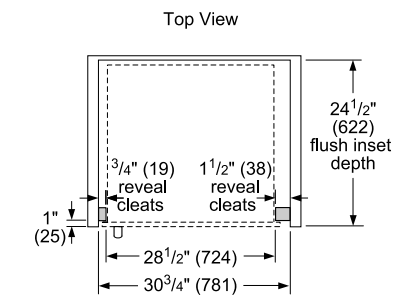
## All 30" Double Wall Ovens



## 30" SideOpening Left Swing Door Flush Installation



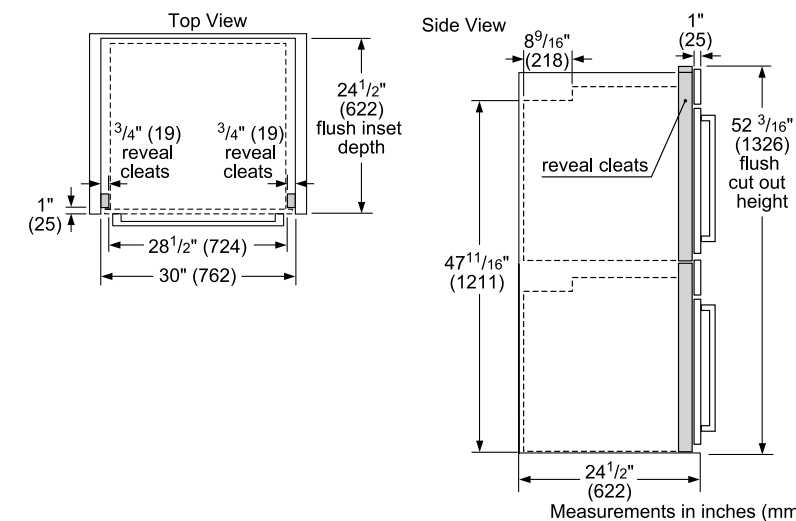
## 30" SideOpening Right Swing Door Flush Installation



\* Junction box may be installed above, below, or to the left or right of the unit within range of the power conduit.

measurements in inches (mm)

## 30" Double Wall Oven Flush Installation



**NOTE:** Bosch double wall ovens can be installed in combination with other Bosch cooking products. See page 84 for details.



# 800 / 500 Series Double Ovens



**800 Series**  
**30" HBL8651UC**  
**30" HBL8642UC**  
**27" HBN8651UC**

- 4.6 cu. ft. (27" is 3.9 cu. ft.)
- Convection Multi-Rack (U)
- Thermal Cooking (L)
- + QuietClose® Door (U&L)
- + Telescopic Rack (U)
- + Temperature Probe (U)

- Black
- Stainless Steel
- Steel

27"



**30" 500 Series**  
**HBL5651UC**

- 4.6 cu. ft.
- + Convection Multi-Rack (U)
- Thermal Cooking (L)

+ Indicates a step-up feature  
 U=Upper; L=Lower

	800 Series	30" 500 Series
30" Stainless Steel – HBL8651UC		
30" Black Stainless Steel – HBL8642UC		
27" Stainless Steel – HBN8651UC		Stainless Steel – HBL5651UC

### General Properties

Oven modes – upper oven	Bake, Variable Broil (Hi & Low), Roast, Warm, Sabbath, Proof Dough, Convection Bake, Convection Broil, Convection Roast, Pizza, Convection Multi-Rack, Convection Conversion, Temperature Probe, Fast Preheat	Bake, Variable Broil (Hi & Low), Roast, Warm, Sabbath, Proof Dough, Convection Bake, Convection Broil, Convection Roast, Pizza, Convection Multi-Rack, Convection Conversion
Oven modes – lower oven	Bake, Variable Broil (Hi & Low), Roast, Warm, Sabbath	Bake, Variable Broil (Hi & Low), Roast, Warm, Sabbath
Cleaning type – upper & lower oven	Self clean	Self clean
Telescopic rack	1	0
Illumination type – upper & lower oven	30" Halogen / 27" Incandescent	Halogen
Interior lights – upper oven	2	1
Interior lights – lower oven	30": 1; 27": 2	1

### Oven Performance

Bake / Broil element wattages – upper & lower oven	2,400 / 3,800 W	2,400 / 3,800 W
Convection element wattages – upper oven	2,000 W	2,000 W

### Technical Details

Watts	30": 8,495 W; 27": 8,535 W	8,455 W
Volts, Frequency, Circuit breaker	240 / 208 V, 60 Hz, 40 A	240 / 208 V, 60 Hz, 40 A
Power cord length; Plug type	60"; Fixed connection, no plug	60"; Fixed connection, no plug
Energy source	Electric	Electric

### Dimensions & Weight

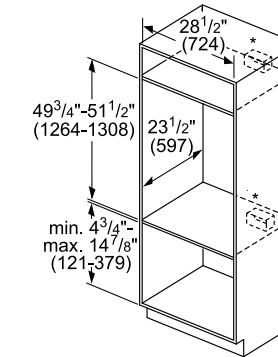
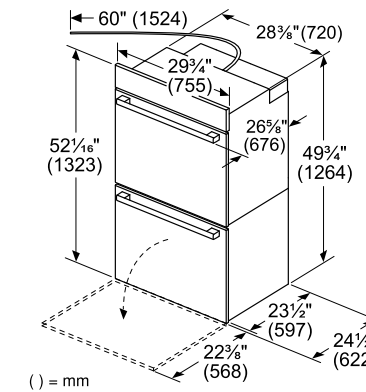
Overall appliance dimensions (HxWxD)	30": 52 1/16" x 29 3/4" x 24 1/2" 27": 52 1/16" x 26 3/4" x 24 1/2"	52 1/16" x 29 3/4" x 24 1/2"
Required cutout size – standard (HxWxD)	30": 49 3/4"-51 1/2" x 28 1/2" x 23 1/2" 27": 49 3/4"-51 1/2" x 25 1/2" x 23 1/2"	49 3/4"-51 1/2" x 28 1/2" x 23 1/2"
Required cutout size – flush (HxWxD)	30": 52 3/16" x 30" x 24 1/2" 27": 52 3/16" x 27" x 24 1/2"	52 3/16" x 30" x 24 1/2"
Oven cavity size	30": 4.6 cu. ft.; 27": 3.9 cu. ft.	4.6 cu. ft.
Overall oven interior dimensions (HxWxD)	30": 17 13/16" x 24 1/8" x 18" 27": 17 13/16" x 21 1/16" x 18"	17 13/16" x 24 1/8" x 18"
Usable oven interior dimensions (HxWxD)	30": 12 5/16" x 23 1/4" x 15 1/4" 27": 12 5/16" x 20 1/4" x 15 1/4"	12 5/16" x 23 1/4" x 15 1/4"
Net weight	30": 261 lbs; 27": 243 lbs	261 lbs

### Accessories – Included

Upper oven: 1 telescopic and 2 standard oven racks, temperature probe; Lower oven: 2 standard racks	Upper oven: 2 standard oven racks Lower oven: 2 standard oven racks
---	--

# 800 / 500 Series Double Ovens

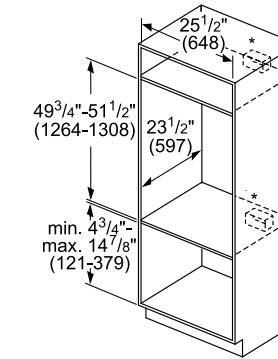
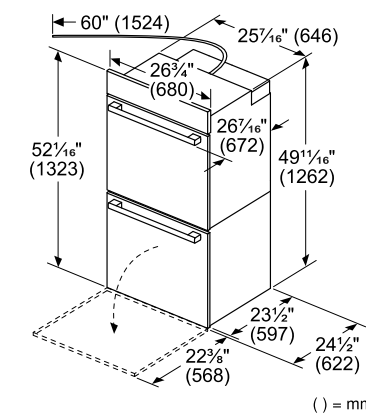
### 30" Double Wall Oven



\* Junction box may be installed above, below, or to the left or right of the unit within range of the power conduit.

measurements in inches (mm)

### 27" Double Wall Oven



\* Junction box may be installed above, below, or to the left or right of the unit within range of the power conduit.

measurements in inches (mm)

**NOTE:** Bosch double wall ovens can be installed in combination with other Bosch cooking products. See page 90 for details.

### Optional Accessories



**HEZTR301**  
30" Telescopic Rack

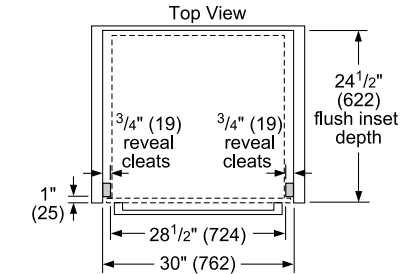


**00798845**  
30" Flat Rack

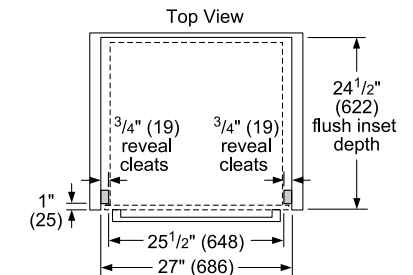


**00449757**  
Broiler Pan

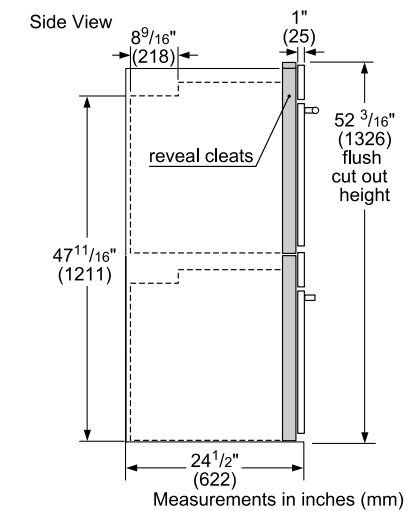
### 30" Double Wall Oven Flush Install



### 27" Single Wall Oven Flush Install



### Double Wall Oven Flush Installation







# Guide to Installing Bosch Wall Ovens with Other Products

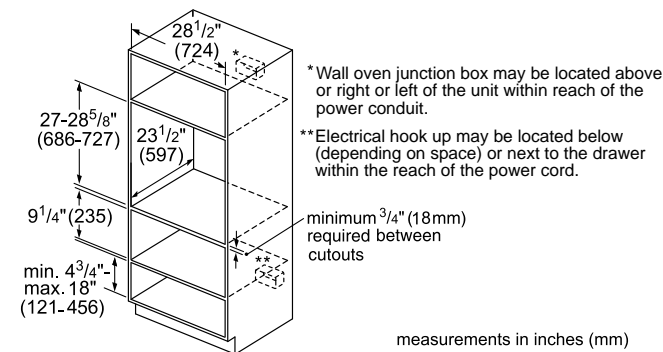


# Benchmark™ Series Single Wall Ovens

Installed in combination with other products.

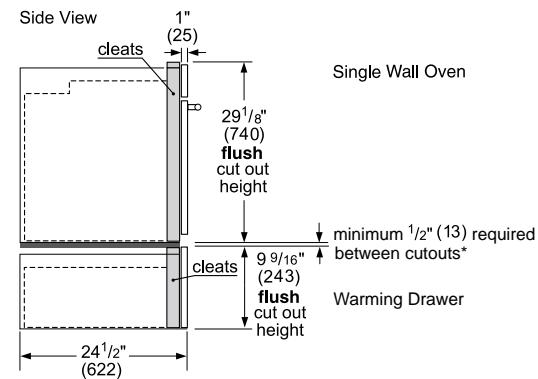
## Standard Installation

### 30" Single Oven over Warming Drawer



## Flush Installation

### Single Oven over Warming Drawer

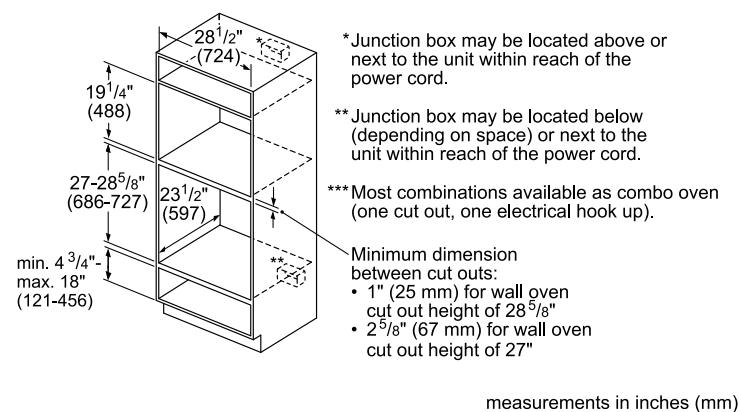


\*IMPORTANT: base has to be able to support oven weight. Please check oven manual for minimum weight requirements.

measurements in inches (mm)

## Standard Installation

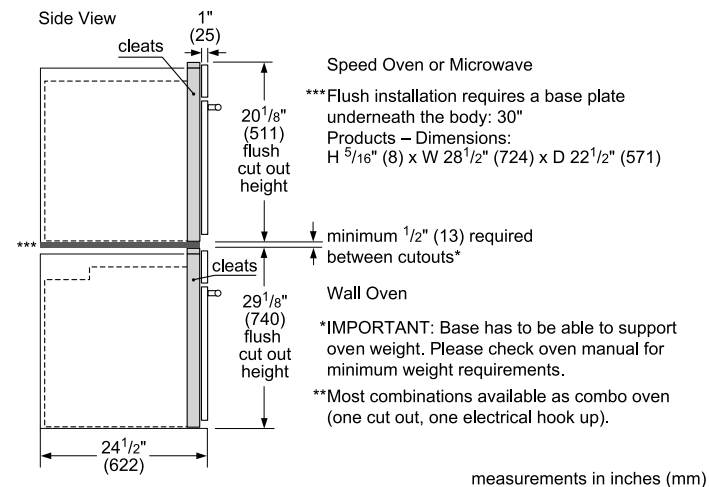
### 30" Speed Oven or Microwave over Single Oven\*\*\*



NOTE: This configuration is available as a combo oven (one cut out, one electrical hook up) – HBLP752UC

## Flush Installation

### Speed Oven or Microwave over 30" Single Oven\*\*



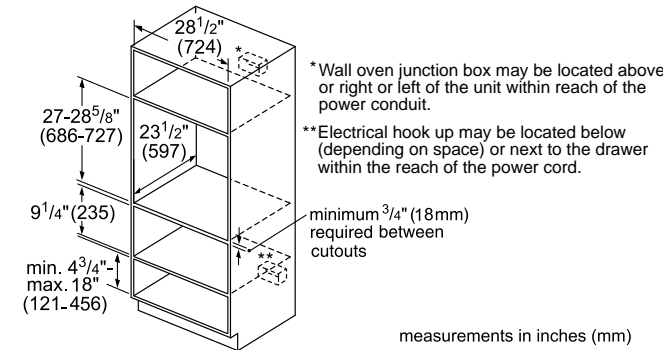
NOTE: This configuration available as a combo oven. See Note above.

# Benchmark™ Series Single Wall Ovens SideOpening Door

Installed in combination with other products.

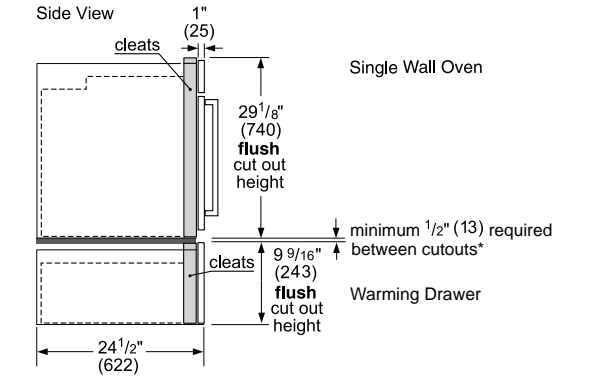
## Standard Installation

### 30" Single Oven over Warming Drawer



## Flush Installation

### Single Oven over Warming Drawer

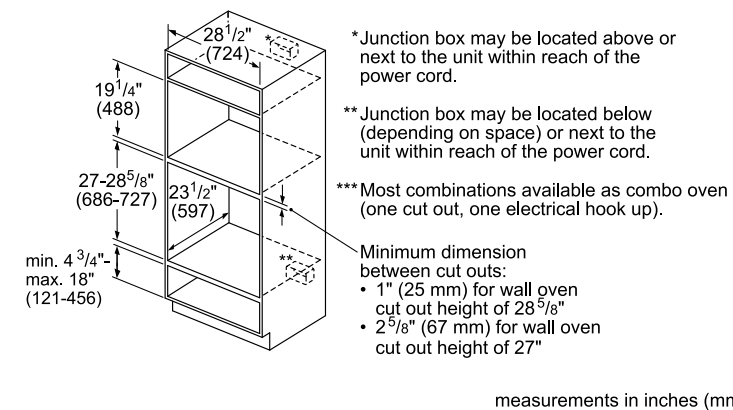


\*IMPORTANT: base has to be able to support oven weight. Please check oven manual for minimum weight requirements.

measurements in inches (mm)

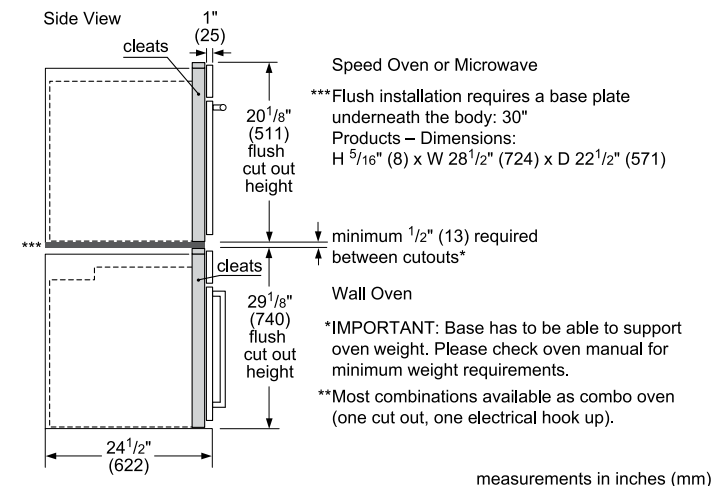
## Standard Installation

### 30" Speed Oven or Microwave over Single Oven\*\*\*



## Flush Installation

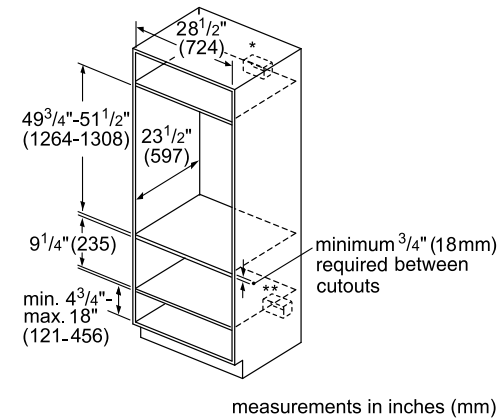
### Speed Oven or Microwave over 30" Single Oven\*\*



# Benchmark™ Series Double Wall Ovens

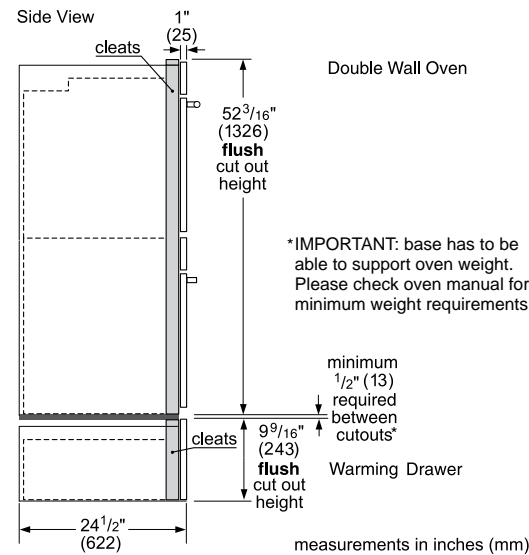
Installed in combination with other products.

## Standard Installation 30" Double Oven over Warming Drawer



\*Wall oven junction box may be located above or right or left of the unit within reach of the power conduit.  
\*\*Electrical hook up may be located below (depending on space) or next to the drawer within the reach of the power cord.

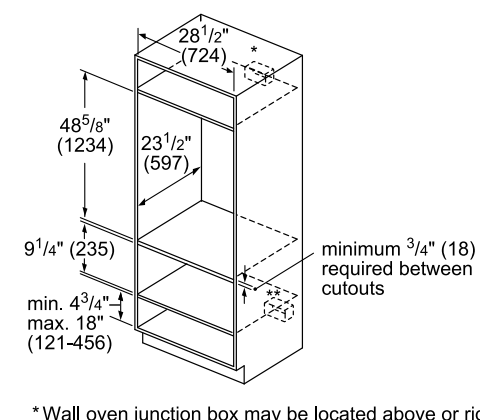
## Flush Installation Double Oven over Warming Drawer



# Benchmark™ Series Combination Ovens

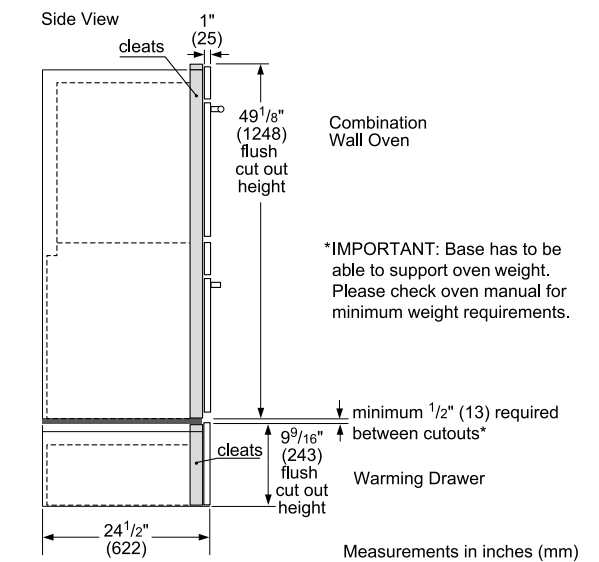
Installed in combination with other products.

## Standard Installation Combination Oven over Warming Drawer



\*Wall oven junction box may be located above or right or left of the unit within reach of the power conduit.  
\*\*Electrical hook up may be located below (depending on space) or next to the drawer within the reach of the power cord.

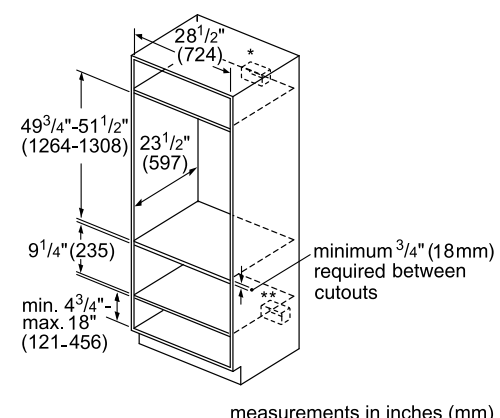
## Flush Installation Combination Oven over Warming Drawer



# Benchmark™ Series Double Wall Ovens SideOpening Door

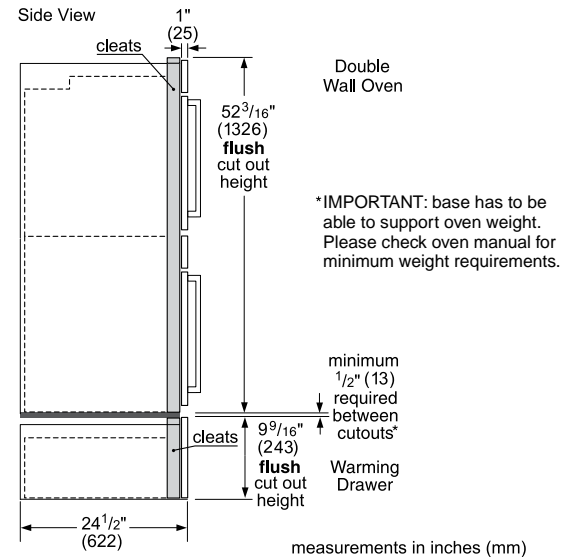
Installed in combination with other products.

## Standard Installation 30" Double Oven over Warming Drawer



\*Wall oven junction box may be located above or right or left of the unit within reach of the power conduit.  
\*\*Electrical hook up may be located below (depending on space) or next to the drawer within the reach of the power cord.

## Flush Installation Double Oven over Warming Drawer

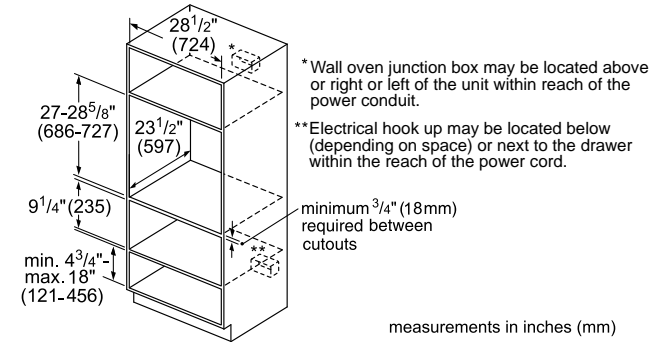


# 800 / 500 Series 30" Single Wall Ovens

Installed in combination with other products.

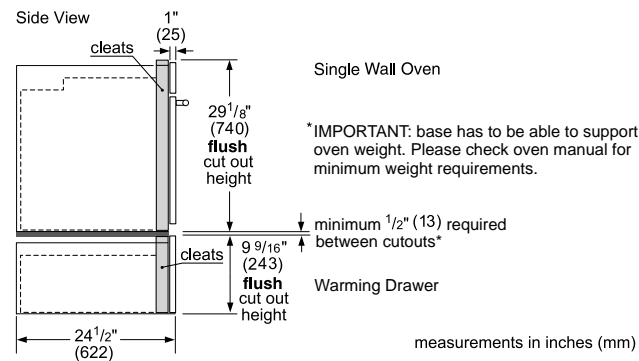
## Standard Installation

### 30" Single Oven over Warming Drawer



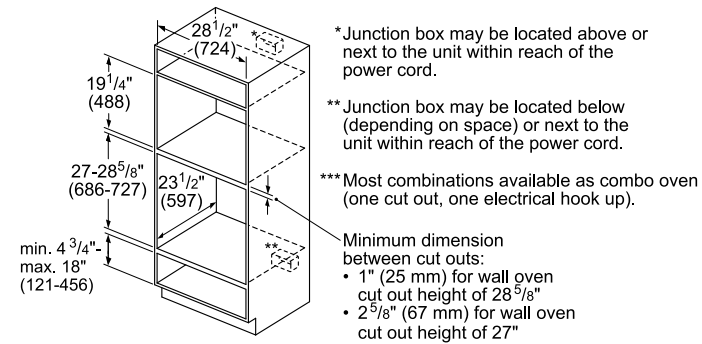
## Flush Installation

### Single Oven over Warming Drawer



## Standard Installation

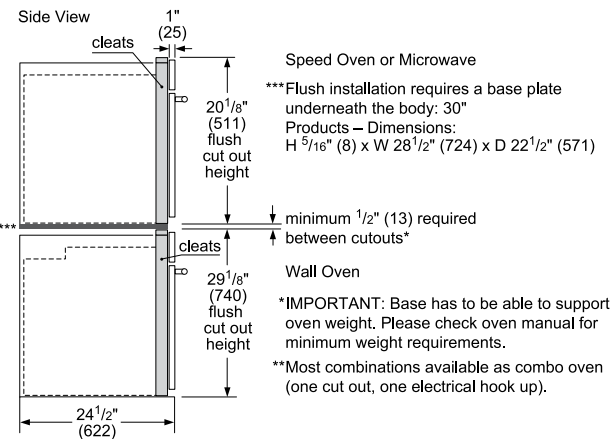
### 30" Speed Oven or Microwave over Single Oven\*\*\*



NOTE: This configuration is available as a combo oven (one cut out, one electrical hook up) – HBL5754UC, HBL57M52UC (500 series), HBL8753UC, HBL8743UC and HBL87M53UC (800 series)

## Flush Installation

### Speed Oven or Microwave over 30" Single Oven\*\*



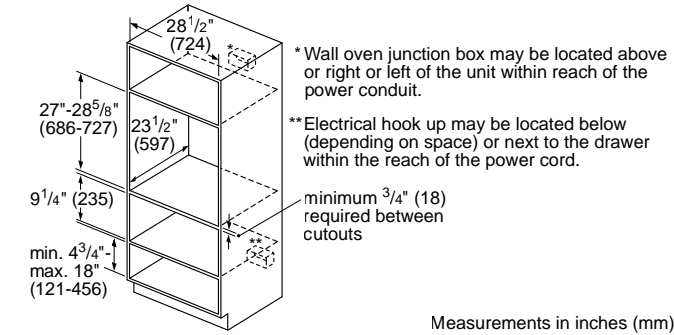
NOTE: This configuration available as a combo oven. See Note at left for details.

# 800 Series 30" Single Wall Ovens – SideOpening Door

Installed in combination with other products.

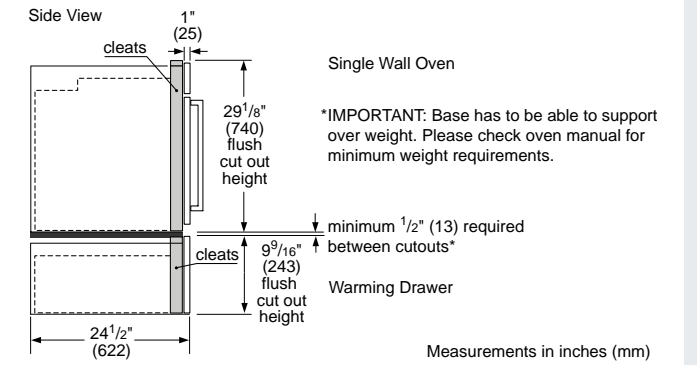
## Standard Installation

### 30" Single Oven over Warming Drawer



## Flush Installation

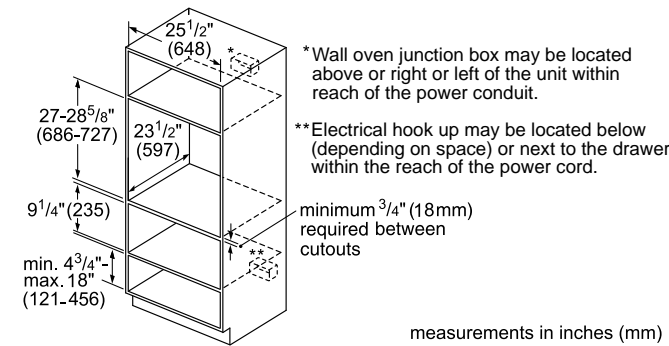
### Single Oven over Warming Drawer



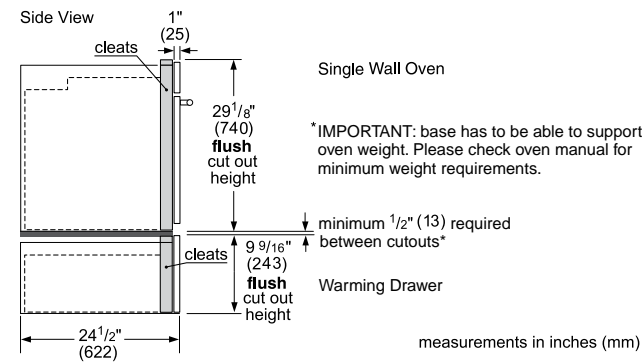
# 800 Series 27" Single Wall Ovens

Installed in combination with other products.

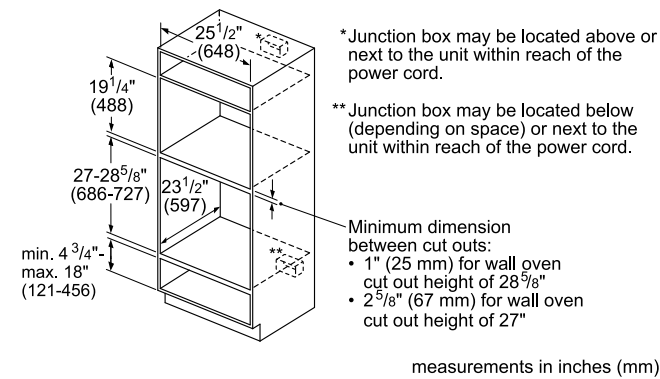
## Standard Installation 27" Single Oven over Warming Drawer



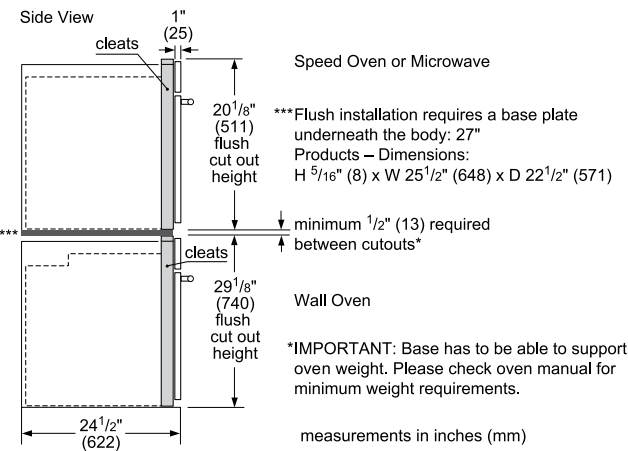
## Flush Installation Single Oven over Warming Drawer



## Standard Installation 27" Speed Oven or Microwave over Single Oven



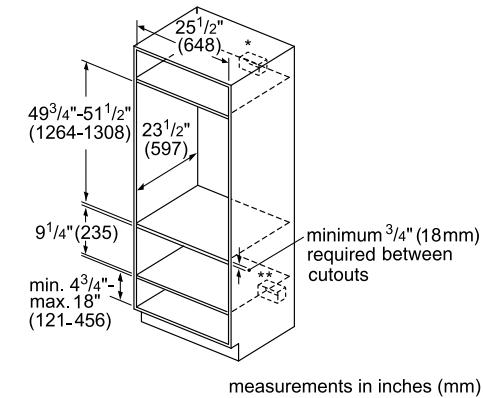
## Flush Installation Speed Oven or Microwave over 27" Single Oven



# 800 Series 27" Double Wall Ovens

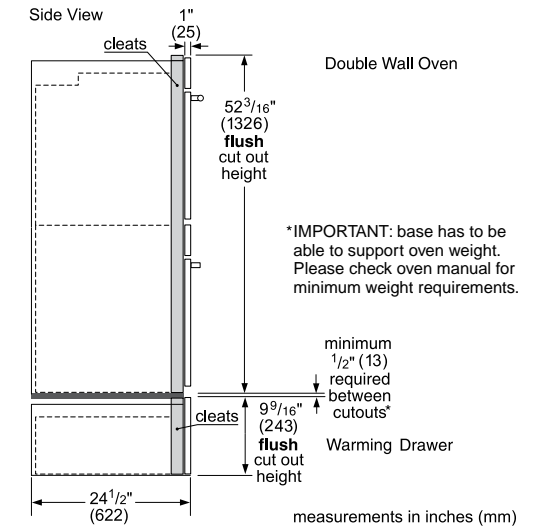
Installed in combination with other products.

## Standard Installation 27" Double Oven over Warming Drawer



\*Wall oven junction box may be located above or right or left of the unit within reach of the power conduit.  
 \*\*Electrical hook up may be located below (depending on space) or next to the drawer within the reach of the power cord.

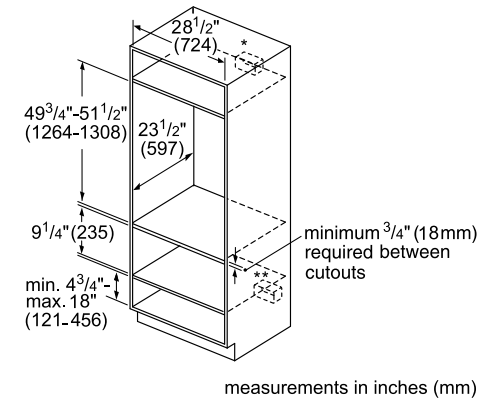
## Flush Installation Double Oven over Warming Drawer



## 800 / 500 Series 30" Double Wall Ovens

Installed in combination with other products.

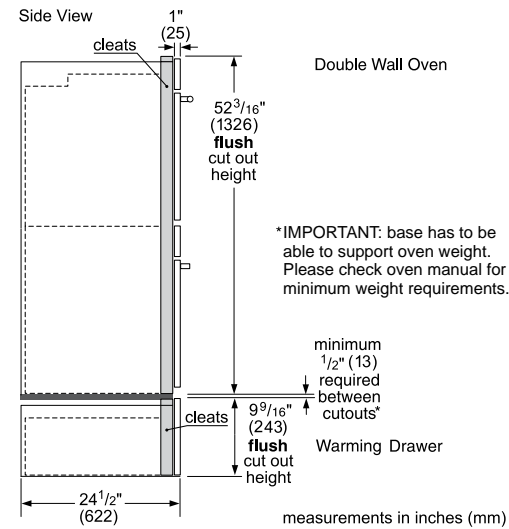
### Standard Installation 30" Double Oven over Warming Drawer



\*Wall oven junction box may be located above or right or left of the unit within reach of the power conduit.

\*\*Electrical hook up may be located below (depending on space) or next to the drawer within the reach of the power cord.

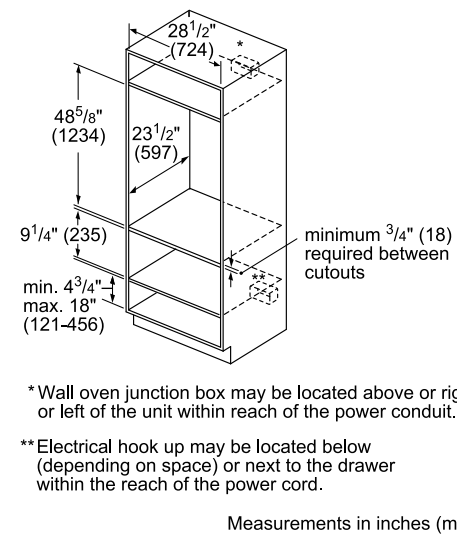
### Flush Installation Double Oven over Warming Drawer



## 800 / 500 Combination Ovens

installed in combination with other products.

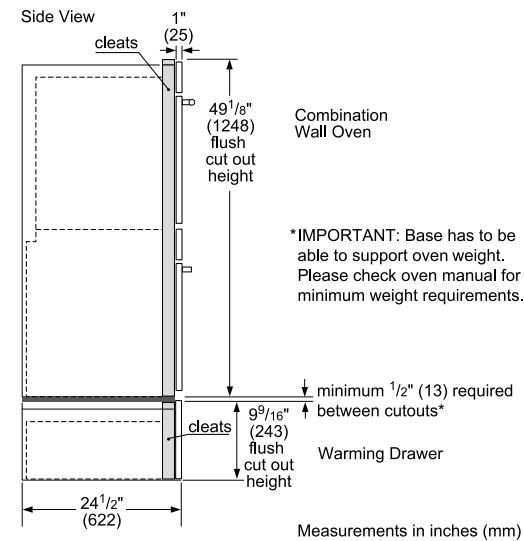
### Standard Installation Combination Oven over Warming Drawer



\*Wall oven junction box may be located above or right or left of the unit within reach of the power conduit.

\*\*Electrical hook up may be located below (depending on space) or next to the drawer within the reach of the power cord.

### Flush Installation Combination Oven over Warming Drawer



**Approved  
Cooking Model  
Combination  
Guide**



# Bosch Cooktop Over Built-In Oven Approved Combination Guide

The following **Ovens, Cooktops and Drawers** are approved to be installed in combination and the installation has been certified by DEKRA.

**IMPORTANT:** When installing an oven in combination, a minimum distance between the ovens is required. Refer to the oven installation manual for all other measurements.

Built-in ovens		Cooktops		
Conventional ovens (1)	Steam ovens (5)	Induction**	Electric**	Gas (1)*
HBLxxx1UC	HSLPxxx1UC	NITxxx8UC	NEMxxx6UC	NGMxxx6UC
HBLxxx3UC		NITxxx9UC	NETxxx8UC	Gas (2)*
HBLxxx4UC		NITxxx0UC	NETxxx9UC	NGM5456UC
HBNxxx1UC		NITxxx1UC	NETxxx8SUC	NGM5458UC
		NITxxx8SUC	NETxxx9SUC	NGM5453UC
<b>Conventional ovens (2)</b>		NITxxx9SUC		NGM3450UC
HBExxx1UC		NITxxx0SUC		Gas (3)*
<b>Conventional ovens (3)</b>				NGMxxx7UC
HBExxx2UC				Gas (4)*
				NGMxxx8UC
				NGMxxx1UC
				NGMxxx0UC
				NGMxxx9UC

The following **Ovens, Cooktops and Drawers** are approved by BSH Home Appliances Corporation to be installed in combination.

These products, identified in the table below, may be installed in combination.

The suitability of the combination has not been evaluated by DEKRA.

Built-in ovens		Cooktops		
Conventional oven (4)	Speed ovens (6)	Induction**	Electric**	Gas (1)*
HBExxx3UC	HMCpxxx2UC	NITxxx8UC	NEMxxx6UC	NGMxxx6UC
<b>Built-In microwave (8)</b>	HMC8xxx2UC	NITxxx9UC	NETxxx8UC	Gas (2)*
HMB5xxx2UC	HMC5015xUC	NITxxx0UC	NETxxx9UC	NGM5456UC
<b>Drawer microwaves (9)</b>	<b>Speed ovens (7)</b>	NITxxx1UC	NETxxx8SUC	NGM5458UC
HMDxxx3UC	HMC54xx1UC	NITxxx8SUC	NETxxx9SUC	NGM5453UC
HMDxxx1UC	HMC54xx2UC	NITxxx9SUC		NGM3450UC
HMBxxx1UC		NITxxx0SUC		Gas (3)*
<b>Warming drawers (10)</b>				NGMxxx7UC
HWD5051UC				Gas (4)*
HWD5751UC				NGMxxx8UC
HWDxxx1UC				NGMxxx0UC
<b>Storage drawer (11)</b>				NGMxxx1UC
HSD5051UC				NGMxxx9UC

\*Gas cooktops may require a 3/8" street elbow (not provided) at the regulator outlet for installation above built-in oven.

\*\*Refer to product installation instructions.

**Appliances** that are not listed above must be approved under local codes and/or by the local authority having jurisdiction.

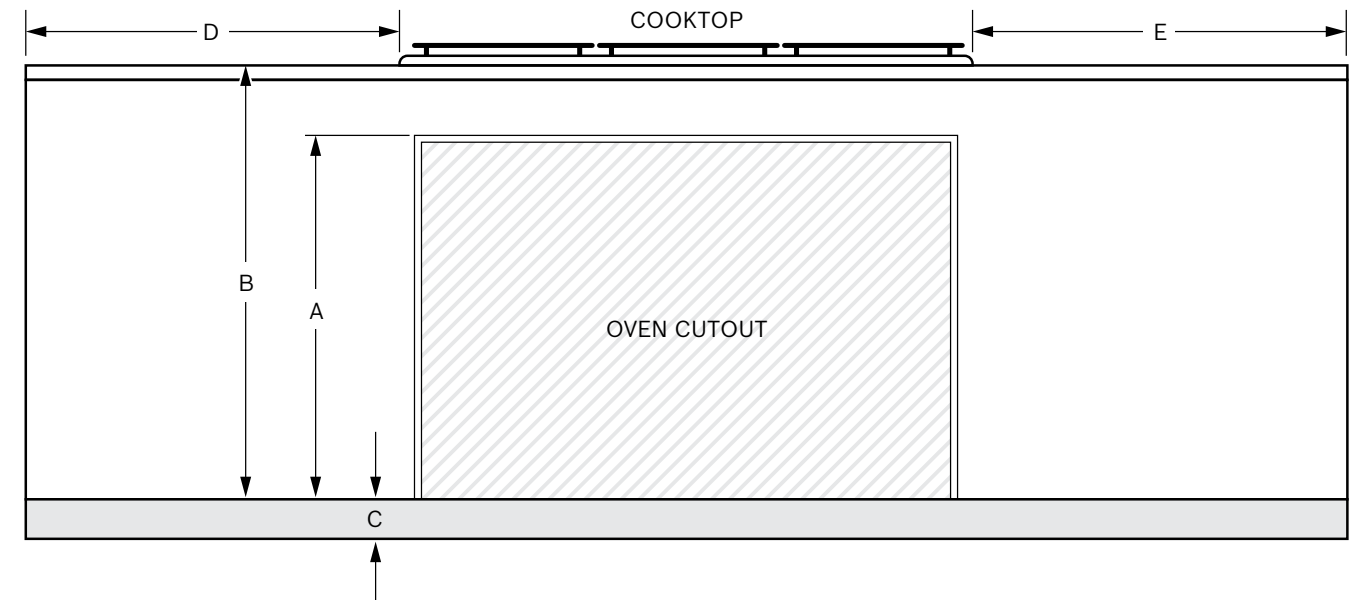
**Please note:** For the latest updates to the approved oven/cooktop combination refer to the website listed in your appliance's installation instructions.

# Bosch Cooktop Over Built-In Oven Combination Installation

Reference the table below for dimensions. All dimensions are inches (mm). Refer to the product installation guide for all other measurements.

When installing an oven or oven with a drawer in combination with a cooktop, a minimum distance between the cabinet floor and countertop (B) is required.

Oven installation requirements	Cooktop installation requirements (min. wall spacing)								
When installing an oven or oven with a drawer in combination with a cooktop, a minimum distance between the cabinet floor and countertop (B) is required. Reference the table for dimensions. Refer to the oven installation guide for all other measurements.									
Oven type	A Inches (mm)	B min. Inches (mm)	C max. Inches (mm)	Gas cooktop (1) min. Inches (mm)	Gas cooktop (2) min. Inches (mm)	Gas cooktop (3) min. Inches (mm)	Gas cooktop (4) min. Inches (mm)	Electric cooktop	Induction cooktop
<b>(1) Conventional oven</b>	28 1/4 (718)	31 1/4 (794)	4 3/4 (121)	D: 24 (610) E: 24 (610)	D: 3 (76) E: 4 (102)	D: 24 (610) E: 24 (610)	D: 16 (406) E: 16 (406)	Reference Product Installation Instructions	
<b>(2) Conventional oven</b>	23 (584)	27 3/4 (705)	8 1/4 (210)	D: 24 (610) E: 24 (610)	D: 3 (76) E: 4 (102)	D: 24 (610) E: 24 (610)	D: 16 (406) E: 16 (406)	Reference Product Installation Instructions	
<b>(3) Conventional oven</b>	23 1/16 (585)	27 13/16 (707)	8 3/16 (208)	D: 24 (610) E: 24 (610)	D: 3 (76) E: 4 (102)	D: 24 (610) E: 24 (610)	D: 16 (406) E: 16 (406)	Reference Product Installation Instructions	
<b>(4) Conventional oven</b>	23 (584)	27 3/4 (705)	8 1/4 (210)	D: 24 (610) E: 24 (610)	D: 3 (76) E: 4 (102)	D: 24 (610) E: 24 (610)	D: 16 (406) E: 16 (406)	Reference Product Installation Instructions	
<b>(5) Steam oven</b>	19 1/4 (488)	23 3/8 (594)	12 5/8 (321)	D: 24 (610) E: 24 (610)	D: 3 (76) E: 4 (102)	D: 24 (610) E: 24 (610)	D: 16 (406) E: 16 (406)	Reference Product Installation Instructions	
<b>(7) Speed oven</b>	17 3/4 (450)	22 1/2 (572)	13 1/2 (343)	D: 24 (610) E: 24 (610)	D: 3 (76) E: 4 (102)	D: 24 (610) E: 24 (610)	D: 16 (406) E: 16 (406)	Reference Product Installation Instructions	
<b>(6 &amp; 8) Microwave speed oven</b>	19 1/4 (488)	24 (609)	12 (306)	D: 24 (610) E: 24 (610)	D: 3 (76) E: 4 (102)	D: 24 (610) E: 24 (610)	D: 16 (406) E: 16 (406)	Reference Product Installation Instructions	
<b>(6 &amp; 8) Microwave speed oven with warming drawer</b>	28 1/4 (718)	31 1/4 (794)	4 3/4 (121)	D: 24 (610) E: 24 (610)	D: 3 (76) E: 4 (102)	D: 24 (610) E: 24 (610)	D: 16 (406) E: 16 (406)	Reference Product Installation Instructions	
<b>(9) Drawer microwave</b>	14 13/16 (376)	20 (508)	16 (406)	D: 24 (610) E: 24 (610)	D: 3 (76) E: 4 (102)	D: 24 (610) E: 24 (610)	D: 16 (406) E: 16 (406)	Reference Product Installation Instructions	



# Bosch Side-By-Side Built-In Oven Approved Combination Guide

Single ovens, microwaves, speed ovens, and drawers approved by BSH Home Appliances Corporation to be installed in combination.  
**IMPORTANT:** When installing an oven in combination, a minimum distance between the ovens is required. Refer to the oven installation manual for all other measurements.  
 Do not install a self-cleaning oven beside another self-cleaning oven.

Appliances that are not listed must be approved under local codes and/or by the local authority having jurisdiction. For the latest updates to the approved combination, refer to the website listed in your appliance's installation instructions.

### Approved Combinations

Conventional Ovens	Built-in Microwaves	Steam Ovens	Speed Ovens	Warming Drawer
HBLxxx1RUC, HBLxxx4RUC, HBLxxx1LUC, HBLxxx4LUC, HBLxxx1UC, HBLxxx3UC, HBLxxx4UC, HBNxxx1UC	HMB50152UC	HSLP451UC	HMC80152UC, HMC80252UC, HMC80242UC, HMCP0252UC	HWD5051UC

### Coffee maker with trim kit

BCM8450UC + HEZCMT3050

Refer to product installation instructions.

The suitability of the following combination has been evaluated by CSA.

Conventional Ovens	Steam Ovens	Warming Drawer
HBLxxx1RUC, HBLxxx4RUC, HBLxxx1LUC, HBLxxx4LUC, HBLxxx1UC, HBLxxx3UC, HBLxxx4UC, HBNxxx1UC	HSLP451UC	HWD5051UC

Refer to product installation instructions.

Configuration	Left Oven Type	Middle Oven Type	Right Oven Type
Side-by-side-by-side 1	Conventional oven	Steam/speed/microwave	Conventional oven
Side-by-side-by-side 2	Steam, speed, or microwave	Conventional oven**	Steam, speed, or microwave

\*\* Bottom hinge door models only. Side hinge door not recommended.

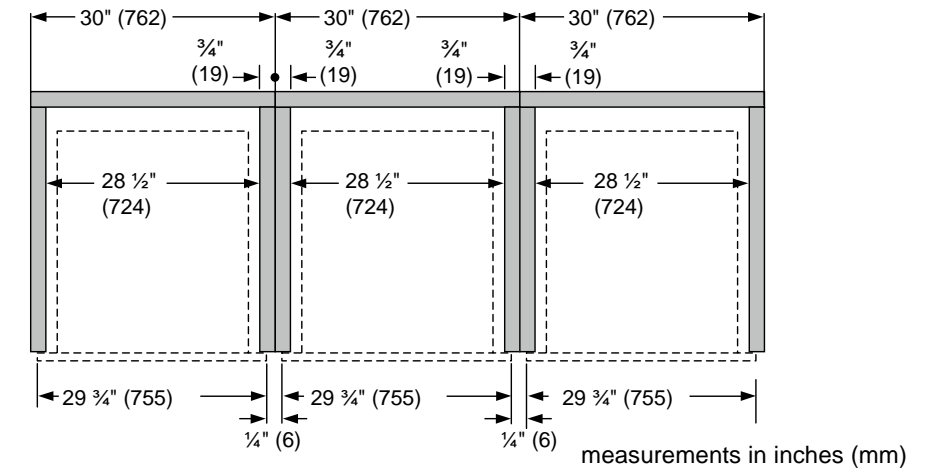
Horizontal installation of a 27" oven next to a 27" speed oven with warming drawer is possible, but the speed oven and warming drawer require either two or one cutout with a shelf support in between.

# Side-by-Side-by-Side Installation

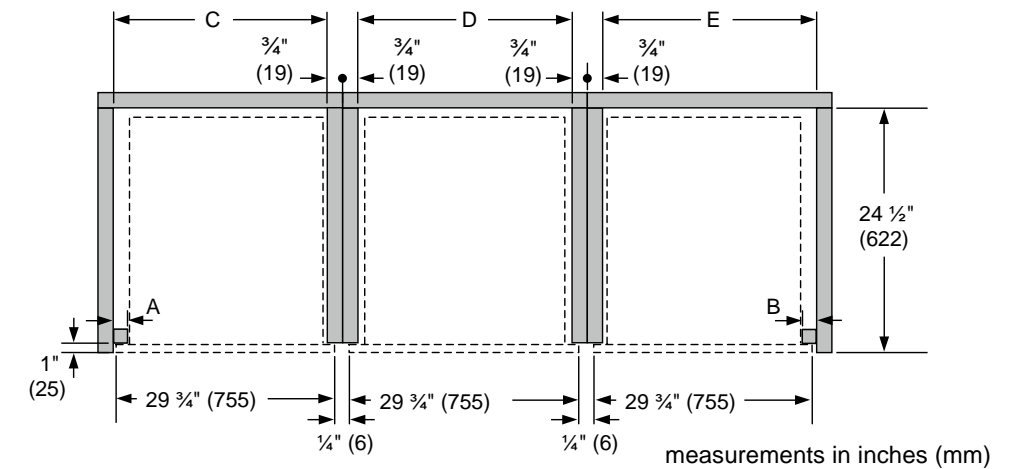
Combination type	Left oven type	Middle oven type	Right oven type
Side-by-side-by-side 1	Conventional oven	Steam/speed/microwave	Conventional oven
Side-by-side-by-side 2	Steam, speed, or microwave	Conventional oven**	Steam, speed, or microwave

\*\*Bottom hinge door modules only. Side hinge door not recommended.

### Standard Installation Side-by-side-by-side



### Flush Installation Side-by-side-by-side



Combination type	A - Left reveal cleat	B - Right reveal cleat	C - Cutout width	D - Cutout width	E - Cutout width
Flush bottom hinge door	3/4" (19)	3/4" (19)	29 1/4" (743)	28 1/2" (724)	29 1/4" (743)
Flush left hinge door	1 1/2" (38)	N/A*	30" (762)	N/A*	N/A*
Flush right hinge door	N/A*	1 1/2" (38)	N/A*	N/A*	30" (762)

\*Installation not recommended.

( )=mm





# Microwaves, Speed Ovens & Warming Drawers

Bosch microwaves simplify snack and mealtime by making it easier than ever to prepare foods at the touch of a button. Built in, over-the-range, or in a discreet drawer style, Bosch microwaves have automatic sensors to remove the guesswork from cooking and reheating. Our speed ovens combine convection and microwave technology to get meals on the table faster—freeing up more time for other things. The Bosch 27" or 30" speed ovens can be combined with a warming drawer to align horizontally with our single wall oven. With speed, intuitive controls, large capacities, and a clean aesthetic, Bosch microwaves and speed ovens lend a trusted hand in the kitchen when fitting cooking into your busy day.





# Benchmark™ Series Microwaves & Speed Ovens

include these features:



## Above a Slide-in Range

The over-the-range microwave is designed to fit above a slide-in range.



## 2-in-1 Microwave and Convection Speed Oven

Our 2-in-1 microwave and convection speed oven has 12 microwave programs and 9 SpeedChef® programs that offer faster cooking times.



## Designed to Fit

The Benchmark™ Series Speed Oven is designed to fit perfectly above a warming drawer.



## Even Cooking

Triple distribution system provides more even cooking.



# Benchmark™ Series Speed Oven



## 30" Benchmark™ Series HMCP0252UC

- 1.6 cu. ft.
- Convection Multi-Rack\*, Broil, Microwave
- SpeedChef® Cooking Modes Offer Faster Cooking Times
- TFT Display
- 240v, Direct Wire

### Benchmark™ Series

Stainless Steel – HMCP0252UC

#### General Properties

Cavity material	Stainless steel
Max. microwave power	1,000 W

#### Capacity

Cavity capacity	1.6 cu. ft.
Turntable diameter	14 1/8"

#### Technical Details

Watts	3,840 W
Circuit breaker	16 A
Volts	208 – 240 V
Frequency	60 Hz
Power cord length	48"
Plug type	Fixed connection, 8" stripped wires

#### Dimensions & Weight

Overall appliance dimensions (HxWxD)	19 5/8" x 29 3/4" x 22 3/8"
Required cutout size (HxWxD)	Standard: 19 1/4" x 28 1/2" x 22" Flush: 20 1/8" x 30" x 23 1/2"
Oven overall interior dimensions (HxWxD)	9 7/8" x 16 1/2" x 16 1/2"
Turntable – metal max. cookware	12 3/4" dia.
Turntable – ceramic max. cookware	12 1/2" dia.
Rack – rectangular cookware max.	15" x 12"
Net weight	96 lbs

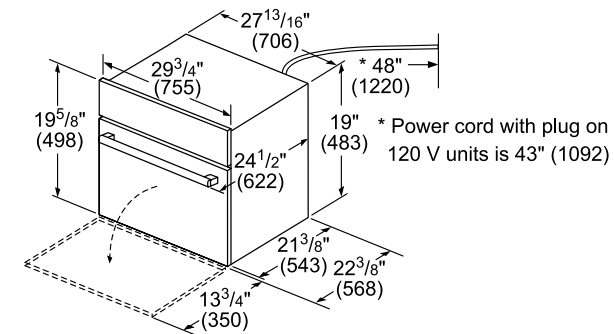
#### Accessories – Included

Included	Metal turntable, cooking rack, ceramic cooking tray
----------	---

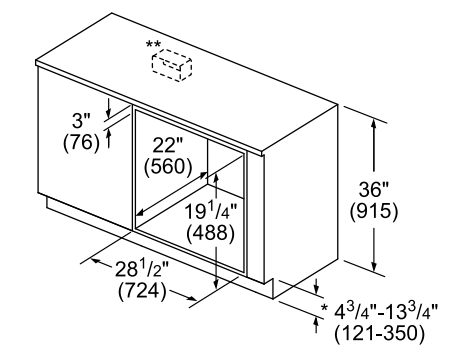
\*Convection Pro

# Benchmark™ Series Speed Oven

## Product Dimensions



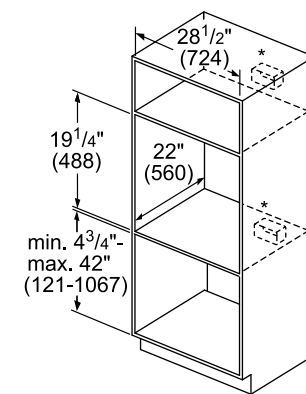
## Under-Counter Installation



\* Includes 3/4" (19) base plate

\*\* Receptacle may be located to the left or right of the unit within reach of the power cord.

## Wall Mounted Installation



\* Receptacle may be located above or beneath the unit within reach of the power cord.

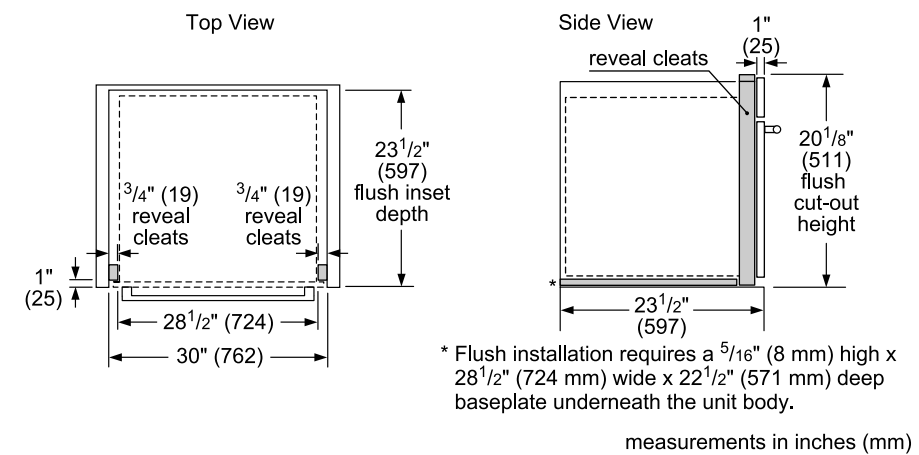
measurements in inches (mm)

## Example Flush Install



Single wall oven shown.

## Flush Installation



measurements in inches (mm)

**NOTE:** Bosch speed ovens can be installed in combination with other Bosch cooking products. See the guide on pages 81–95 for details.



# 800 Series Speed Ovens



**800 Series**  
**30" – HMC80152UC**  
**27" – HMC87152UC**

- 1.6 cu. ft.
- SpeedChef® Cooking Modes Offer Faster Cooking Times
- Installs Flush with Kitchen Cabinetry
- 120v, NEMA 5-20 – 3 Prong Plug



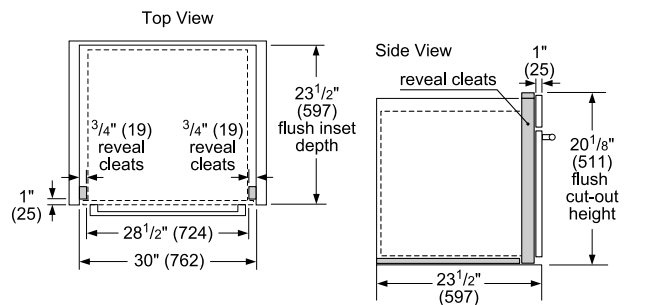
**30" 800 Series**  
**HMC80252UC (Stainless Steel)**  
**HMC80242UC (Black Stainless Steel)**

- 1.6 cu. ft.
- SpeedChef® Cooking Modes Offer Faster Cooking Times
- Installs Flush with Kitchen Cabinetry
- 240v, Direct Wire

Black  
 Stainless Steel

	800 Series	800 Series
	30" Stainless Steel – HMC80152UC 27" Stainless Steel – HMC87152UC	30" Stainless Steel – HMC80252UC 30" Black Stainless Steel – HMC80242UC
<b>General Properties</b>		
Cavity material	Stainless steel	Stainless steel
Max. microwave power	1,000 W	1,000 W
<b>Capacity</b>		
Cavity capacity	1.6 cu. ft.	1.6 cu. ft.
Turntable diameter	14 1/8"	14 1/8"
<b>Technical Details</b>		
Watts	1,920 W	3,840 W
Circuit breaker	20 A	16 A
Volts	120 V	208 – 240 V
Frequency	60 Hz	60 Hz
Power cord length	43"	48"
Plug type	NEMA 5-20 – 3 prong plug	Fixed connection, 8" stripped wires
<b>Dimensions &amp; Weight</b>		
Overall appliance dimensions (HxWxD)	30": 19 5/8" x 29 3/4" x 22 3/8" 27": 19 5/8" x 26 3/4" x 22 3/8"	19 5/8" x 29 3/4" x 22 3/8"
Required cutout size (HxWxD)	30" Standard: 19 1/4" x 28 1/2" x 22" 30" Flush: 20 1/8" x 30" x 23 1/2" 27" Standard: 19 1/4" x 25 1/2" x 22" 27" Flush: 20 1/8" x 27" x 23 1/2"	Standard: 19 1/4" x 28 1/2" x 22" Flush: 20 1/8" x 30" x 23 1/2"
Oven overall interior dimensions (HxWxD)	9 7/8" x 16 1/2" x 16 1/2"	9 7/8" x 16 1/2" x 16 1/2"
Turntable – metal max. cookware	12 3/4" dia.	12 3/4" dia.
Turntable – ceramic max. cookware	12 1/2" dia.	12 1/2" dia.
Rack – rectangular cookware max.	15" x 12"	15" x 12"
Net weight	96 lbs / 92 lbs	96 lbs
<b>Accessories – Included</b>		
Included	Metal turntable, cooking rack, ceramic cooking tray	Metal turntable, cooking rack, ceramic cooking tray

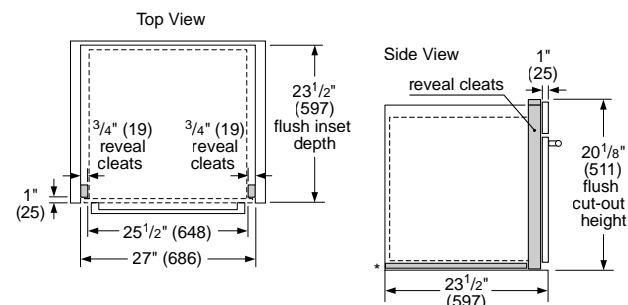
### 30" Flush Installation



\* Flush installation requires a 5/16" (8 mm) high x 28 1/2" (724 mm) wide x 22 1/2" (571 mm) deep baseplate underneath the unit body.

measurements in inches (mm)

### 27" Flush Installation

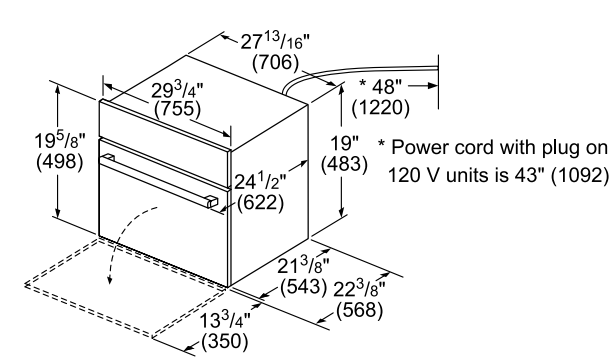


\* Flush installation requires a 5/16" (8 mm) high x 25 1/2" (648 mm) wide x 22 1/2" (571 mm) deep baseplate underneath the unit body.

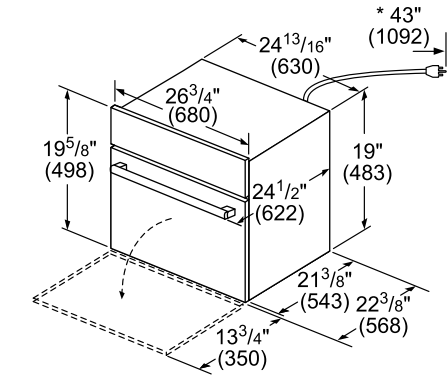
measurements in inches (mm)

# 800 Series Speed Ovens

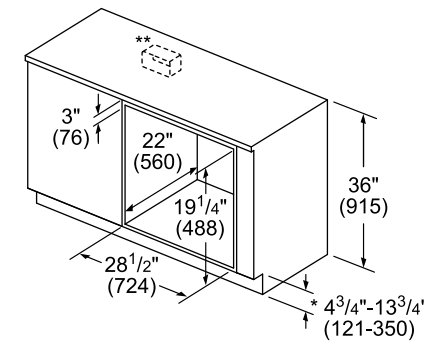
### 30" Speed Oven Dimensions



### 27" Speed Oven Dimensions



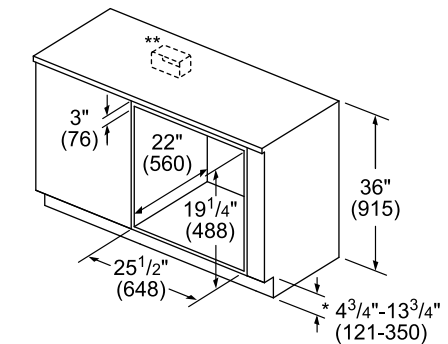
### 30" Speed Oven Under-Counter



\* Includes 3/4" (19) base plate

\*\* Receptacle may be located to the left or right of the unit within reach of the power cord.

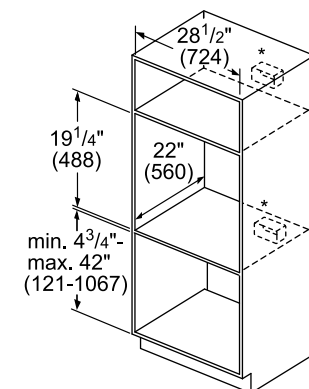
### 27" Speed Oven Under-Counter



\* Includes 3/4" (19) base plate

\*\* Receptacle may be located to the left or right of the unit within reach of the power cable.

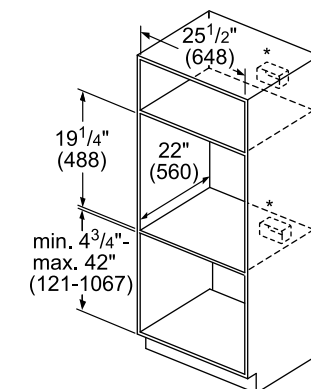
### 30" Speed Oven Wall-Mounted



\* Receptacle may be located above or beneath the unit within reach of the power cord.

measurements in inches (mm)

### 27" Speed Oven Wall-Mounted



\* Receptacle may be located above or beneath the unit within reach of the power cable.

measurements in inches (mm)

**30" HMC80152UC**  
**27" HMC87152UC**



**NOTE:** Bosch Speed ovens can be installed in combination with other Bosch cooking products. See pages 81–95 for details. Horizontal installation of a 27" oven next to a 27" speed oven with warming drawer is possible, but the speed oven and warming drawer require either two cutouts or one cutout with a shelf support in between.



# 500 Series 24" Speed Oven



**24" 500 Series  
HMC54151UC**

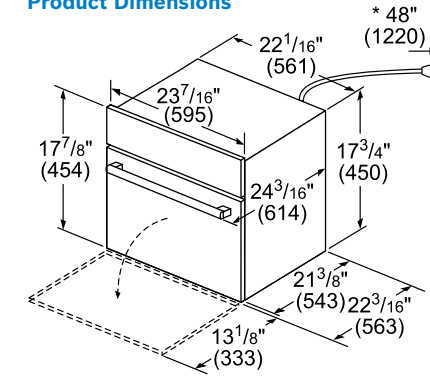
- 1.6 cu. ft.
- SpeedChef® Cooking Modes Offer Faster Cooking Times
- Installs Flush with Kitchen Cabinetry
- 2-in-1 Microwave and Convection Oven for a Variety of Cooking Options
- 120v, NEMA 5-20 – 3 Prong Plug



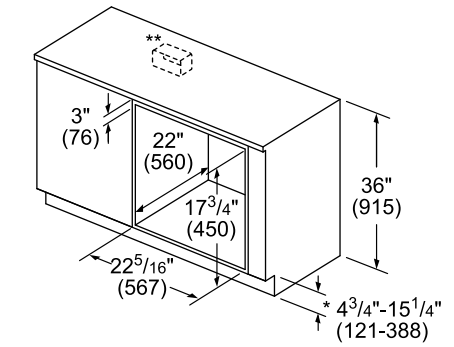
500 Series	
	24" Stainless Steel – HMC54151UC
<b>General Properties</b>	
Cavity material	Stainless steel
Max. microwave power	1,000 W
<b>Capacity</b>	
Cavity capacity	1.6 cu. ft.
Turntable diameter	14 3/16"
<b>Technical Details</b>	
Watts	1,920 W
Circuit breaker	20 A
Volts	120 V
Frequency	60 Hz
Power cord length	43"
Plug type	NEMA 5-20 – 3 prong plug
<b>Dimensions &amp; Weight</b>	
Overall appliance dimensions (HxWxD)	17 7/8" x 23 7/16" x 22 3/16"
Required cutout size (HxWxD)	Standard: 17 3/4" x 22 5/16" x 22" Flush: 18 7/16" x 24" x 22 3/4"
Oven overall interior dimensions (HxWxD)	9 7/8" x 16 1/2" x 16 1/2"
Turntable – metal max. cookware	12 3/4" dia.
Turntable – ceramic max. cookware	12 1/2" dia.
Rack – rectangular cookware max.	15" x 12"
Net weight	91 lbs
<b>Accessories – Included</b>	
Included	Metal turntable, cooking rack, ceramic cooking tray

# 500 Series 24" Speed Oven

## Product Dimensions



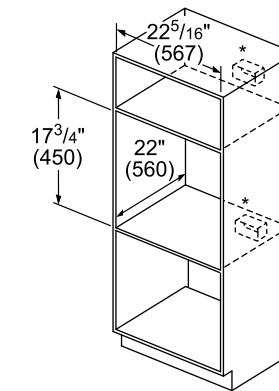
## Under-Counter Installation



\* Includes 3/4" (19) base plate

\*\* Receptacle may be located to the left or right of the unit within reach of the power cord.

## Wall Mounted Installation



\* Receptacle may be located above or beneath the unit within reach of the power cord.

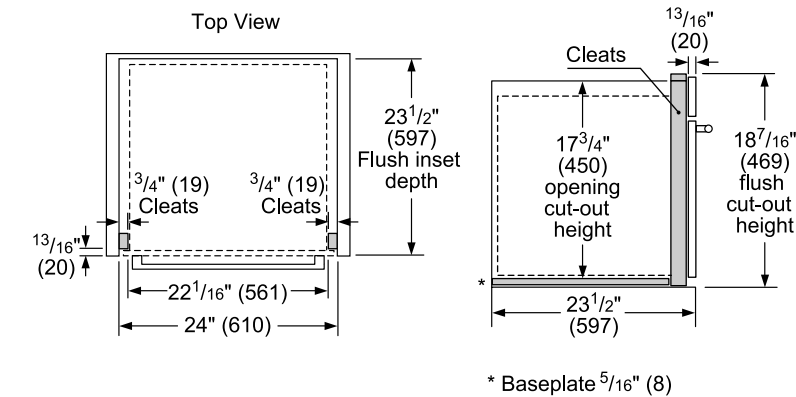
Notice:  
The cabinet base must be flat and capable of supporting a weight of at least 142 lbs (64.1 kg).

## Example Flush Install



Single wall oven shown.

## Flush Installation



**NOTE:** Bosch speed ovens can be installed in combination with other Bosch cooking products. See the guide on pages 81–93 for details.



# Benchmark™ Series Over-the-Range Microwave



## 30" Benchmark™ Series HMVP054U

- 1.9 cu. ft.
- Triple Distribution Offers More Even Cooking
- 1,450 Watts Convection Cooking
- 1,000 Watts Microwave Cooking
- Stainless Steel Cavity

### 30" Benchmark™ Series

Stainless Steel – HMVP054U

#### General Properties

Cavity material	Stainless steel
Max. microwave power	1,000 W
Max. extraction rate	385 CFM
Ducted	Yes
Ductless	Yes
Duct size	3 1/4" x 10"

#### Capacity

Cavity capacity	1.9 cu. ft.
Turntable diameter	14 3/16"

#### Technical Details

Watts	1,450 W
Circuit breaker	15 A
Volts	120 V
Frequency	60 Hz
Power cord length	40"
Plug type	120V – 3 prong

#### Dimensions & Weight

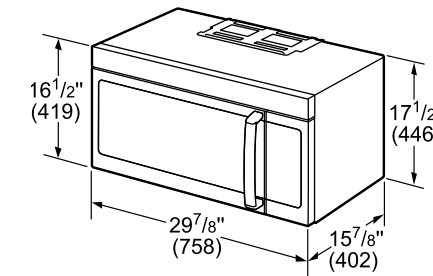
Overall appliance dimensions (HxWxD)	17 1/2" x 29 7/8" x 15 7/8"
Required cutout size (HxWxD)	30" x 30" x 12"-14"
Net weight	73 lbs

#### Accessories – Included

Included	Two level cooking rack
----------	------------------------

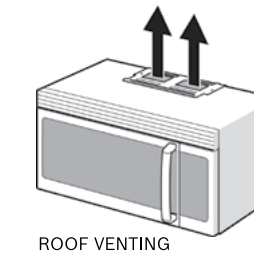
# Benchmark™ Series Over-the-Range Microwave

## Product Dimensions

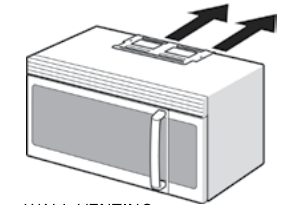


measurements in inches (mm)

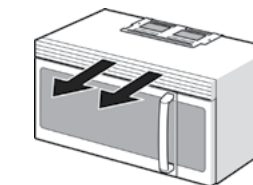
## Venting Options



ROOF VENTING

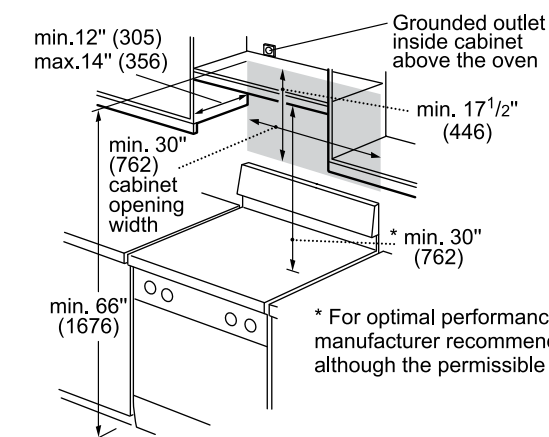


WALL VENTING



ROOM VENTING

## Cutout and Clearances



\* For optimal performance and reliability, the manufacturer recommends a clearance of 33"-36", although the permissible clearance must be at least 30".

measurements in inches (mm)



# 800 / 500 / 300 Series Over-the-Range Microwaves



**800 Series**  
HMV8054U (Stainless Steel)  
HMV8045U (Black Stainless Steel)

- 1.9 cu. ft.
- 1,000 Watts Microwave Cooking
- 1,450 Watts Convection Cooking
- + Stainless Steel Cavity

Black  
Stainless Steel



**500 Series**  
HMV5053U

- + 2.1 cu. ft.
- + 1,100 Watts Microwave Cooking
- + Sensor Cooking
- + 385 CFM



**300 Series**  
HMV3054U

- 1.7 cu. ft.
- 1,000 Watts Microwave Cooking
- Auto Cook Functions
- 300 CFM

+ Indicates a step-up feature

	30" - 800 Series	30" - 500 Series	30" - 300 Series
	Stainless Steel - HMV8054U Black Stainless Steel - HMV8045U	Stainless Steel - HMV5053U	Stainless Steel - HMV3054U

**General Properties**

	30" - 800 Series	30" - 500 Series	30" - 300 Series
Cavity color	Stainless steel	White	White
Max. microwave power	1,000 W	1,100 W	1,000 W
Max. extraction rate	385 CFM	385 CFM	300 CFM
Ducted	Yes	Yes	Yes
Ductless	Yes	Yes	Yes
Duct size	3 1/4" x 10"	3 1/4" x 10"	3 1/4" x 10"

**Capacity**

	30" - 800 Series	30" - 500 Series	30" - 300 Series
Cavity capacity	1.9 cu. ft.	2.1 cu. ft.	1.7 cu. ft.
Turntable diameter	14 3/16"	14 3/16"	12 3/8"

**Technical Details**

	30" - 800 Series	30" - 500 Series	30" - 300 Series
Watts	1,450 W	1,550 W	1,550 W
Circuit breaker	15 A	15 A	15 A
Volts	120 V	120 V	120 V
Frequency	60 Hz	60 Hz	60 Hz
Power cord length	40"	40"	40"
Plug type	120V - 3 prong	120V - 3 prong	120V - 3 prong

**Dimensions & Weight**

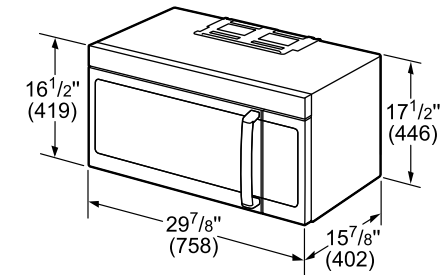
	30" - 800 Series	30" - 500 Series	30" - 300 Series
Overall appliance dimensions (HxWxD)	17 1/2" x 29 7/8" x 15 7/8"	17 1/2" x 29 7/8" x 15 7/8"	16 1/2" x 29 7/8" x 15 3/8"
Required cutout size (HxWxD)	30" x 30" x 12"-14"	30" x 30" x 12"-14"	30" x 30" x 12"-12 7/8"
Net weight	54 lbs	63 lbs	57 lbs

**Accessories - Included**

	30" - 800 Series	30" - 500 Series	30" - 300 Series
Included	Rack for two level cooking	-	-

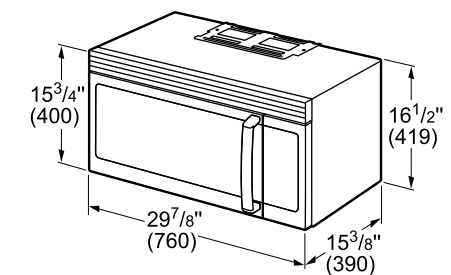
# 800 / 500 / 300 Series Over-the-Range Microwaves

**800 / 500 Series Product Dimensions**



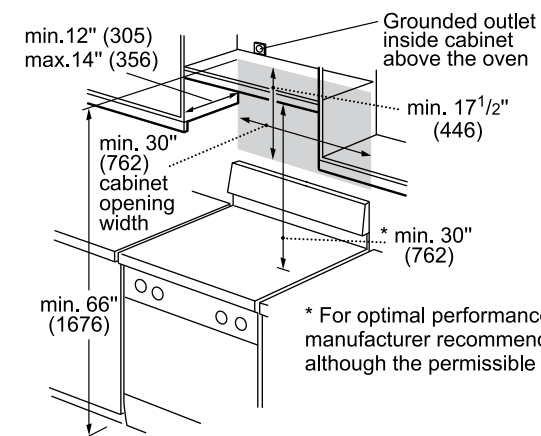
measurements in inches (mm)

**300 Series Product Dimensions**



Measurements in inches (mm)

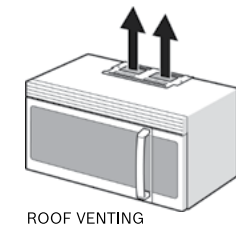
**800 / 500 Series Cutout and Clearances**



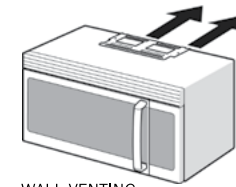
\* For optimal performance and reliability, the manufacturer recommends a clearance of 33"-36", although the permissible clearance must be at least 30".

measurements in inches (mm)

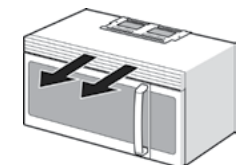
**800 / 500 / 300 Series Venting Options**



ROOF VENTING

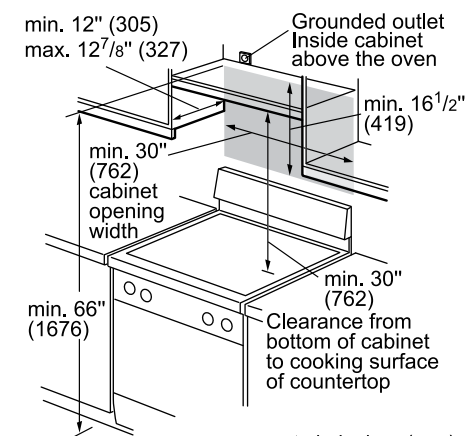


WALL VENTING



ROOM VENTING

**300 Series Cutout and Clearances**



measurements in inches (mm)



# 800 Series Drawer Microwaves



**24" 800 Series**  
**HMD8454UC**

- 1.2 cu. ft.
- 950 Watts
- Microwave Cooking
- Tilt-Out Display
- Flush Installation



**30" 800 Series**  
**HMD8054UC**

- 1.2 cu. ft.
- 950 Watts
- Microwave Cooking
- Tilt-Out Display
- Flush Installation



## The Flush-Mount Drawer Microwave

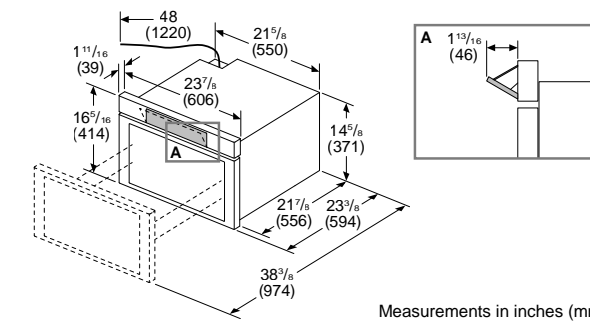
Open your design options. The Bosch drawer microwave installs cleanly under counters, cooktops, and flush to cabinets, letting you take advantage of extra space in a kitchen island, for example. The drawer microwave opens and closes with a push of a button and is large enough to fit a 9" x 13" baking oven pan or a 4 qt. casserole dish.

	24" - 800 Series	30" - 800 Series
	Stainless Steel - HMD8451UC	Stainless Steel - HMD8054UC
<b>General Properties</b>		
Cavity material	White	White
Max. microwave power	950 W	950 W
<b>Capacity</b>		
Cavity capacity	1.2 cu. ft.	1.2 cu. ft.
<b>Technical Details</b>		
Watts	1,500 W	1,500 W
Circuit breaker	15 A	15 A
Volts	120 V	120 V
Frequency	60 Hz	60 Hz
Power cord length	48"	48"
Plug type	120V - 3 prong	120V - 3 prong
<b>Dimensions &amp; Weight</b>		
Overall appliance dimensions (HxWxD)	16 5/16" x 23 7/8" x 23 3/8"	16 5/16" x 30" x 23 3/8"
Required cutout size - standard (HxWxD)	15 9/16" x 22 1/8" x 23 1/2"	15 9/16" x 28 1/4" x 23 1/2"
Required cutout size - flush (HxWxD)	16 5/8" x 24 3/16" x 23 1/2"	16 5/8" x 30 5/16" x 23 1/2"
Net weight	74 lbs	79 lbs

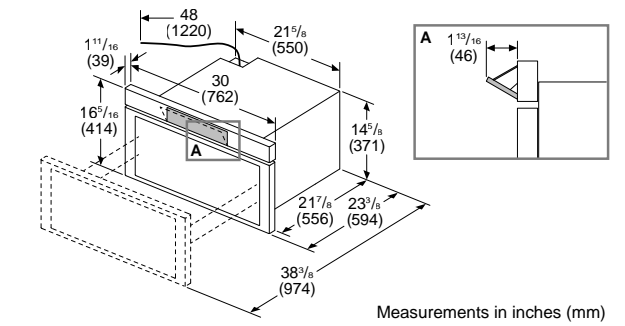
**NOTE:** Bosch drawer microwaves can be installed in combination with other Bosch cooking products. See the guide on pages 81-93 for details.

# 800 Series Drawer Microwaves

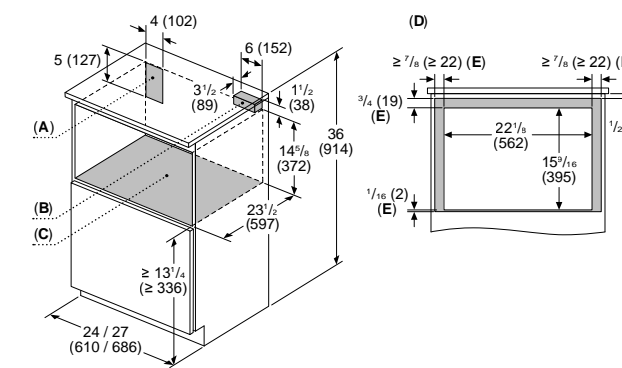
## 24" Drawer Microwave Dimensions



## 30" Drawer Microwave Dimensions



## 24" Drawer Microwave Standard Installation



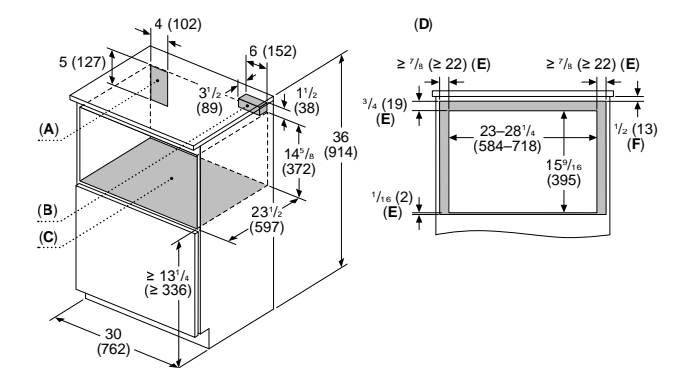
**A:** Recommended location of electrical outlet

**B:** Anti-tip block  
**C:** Base should support up to 100 lb

**D:** Front view of cut-out  
**E:** Overlap  
**F:** Visible area

If under a counter, minimum clearance to counter top should be 7/16" (11 mm)

## 30" Drawer Microwave Standard Installation



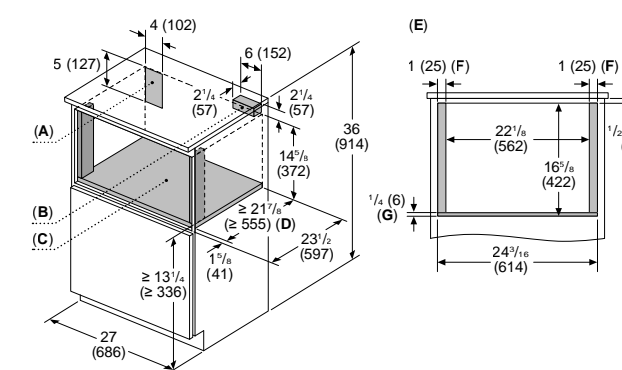
**A:** Recommended location of electrical outlet

**B:** Anti-tip block  
**C:** Base should support up to 100 lb

**D:** Front view of cut-out  
**E:** Overlap  
**F:** Visible area

If under a counter, minimum clearance to counter top should be 7/16" (11 mm)

## 24" Drawer Microwave Flush Installation



**A:** Recommended location of electrical outlet

**B:** Anti-tip block  
**C:** Base should support up to 100 lb

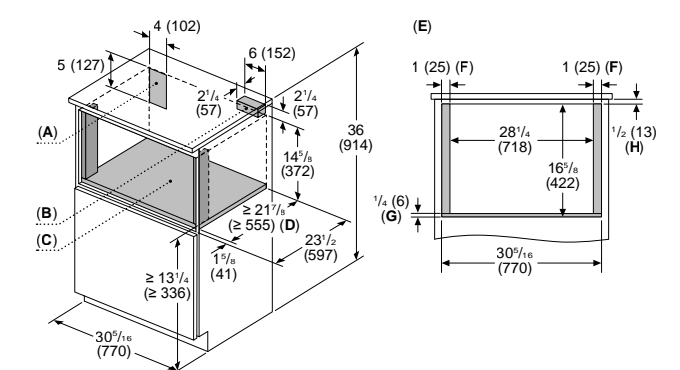
**D:** Base depth  
**E:** Front view of cut-out  
**F:** Sides should be finished and extend back to cleat

Cleats should also be finished, as they may be visible after installation

**G:** Base thickness  
**H:** Visible area

If under a counter, minimum clearance to counter top should be 7/16" (11 mm)

## 30" Drawer Microwave Flush Installation



**A:** Recommended location of electrical outlet

**B:** Anti-tip block  
**C:** Base should support up to 100 lb

**D:** Base depth  
**E:** Front view of cut-out  
**F:** Sides should be finished and extend back to cleat

Cleats should also be finished, as they may be visible after installation

**G:** Base thickness  
**H:** Visible area

If under a counter, minimum clearance to counter top should be 7/16" (11 mm)





# 500 Series Built-in Microwaves



**27" 500 Series**  
**HMB57152UC**

- 1.6 cu. ft.
- 950 Watts Microwave Cooking
- Automatic Sensor Programs
- Designed to Match Bosch Wall Ovens



**30" 500 Series**  
**HMB50152UC**

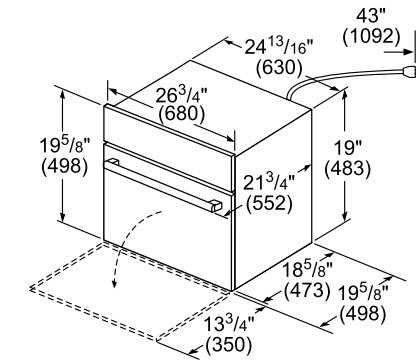
- 1.6 cu. ft.
- 950 Watts Microwave Cooking
- Automatic Sensor Programs
- Designed to Match Bosch Wall Ovens

	27" - 500 Series	30" - 500 Series
	Stainless Steel - HMB57152UC	Stainless Steel - HMB50152UC
<b>General Properties</b>		
Cavity color	Stainless steel	Stainless steel
Max. microwave power	950 W	950 W
<b>Capacity</b>		
Cavity capacity	1.6 cu. ft.	1.6 cu. ft.
Turntable diameter	14 1/8"	14 1/8"
<b>Technical Details</b>		
Watts	1,650 W	1,650 W
Circuit breaker	15 A	15 A
Volts	120 V	120 V
Frequency	60 Hz	60 Hz
Power cord length	43"	43"
Plug type	NEMA 5-15 - 3 prong	NEMA 5-15 - 3 prong
<b>Dimensions &amp; Weight</b>		
Overall appliance dimensions (HxWxD)	19 5/8" x 26 3/4" x 19 5/8"	19 5/8" x 29 3/4" x 19 5/8"
Required cutout size (HxWxD)	Standard: 19 1/4" x 25 1/2" x 19 1/4" Flush: 20 1/4" x 27" x 20 3/4"	Standard: 19 1/4" x 28 1/2" x 19 1/4" Flush: 20 1/4" x 30" x 20 3/4"
Oven overall interior dimensions (HxWxD)	9 7/8" x 16 1/2" x 16 1/2"	9 7/8" x 16 1/2" x 16 1/2"
Net weight	83 lbs	87 lbs
<b>Accessories - Included</b>		
Included	Glass turntable	Glass turntable

**NOTE:** Bosch built-in microwaves can be installed in combination with other Bosch cooking products. See the guide on pages 81-95 for details.

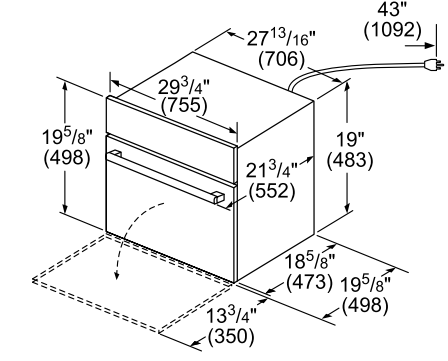
# 500 Series Built-in Microwaves

## 27" Microwave Dimensions



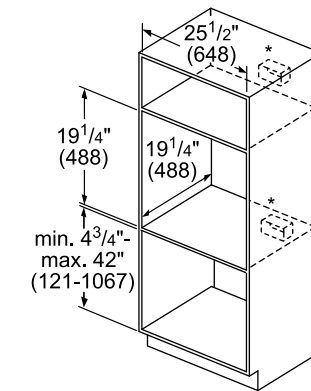
measurements in inches (mm)

## 30" Microwave Dimensions



measurements in inches (mm)

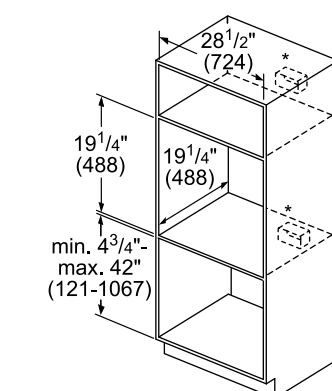
## 27" Microwave Standard Installation



\* Receptacle may be located above or beneath the unit within reach of the power cable.

measurements in inches (mm)

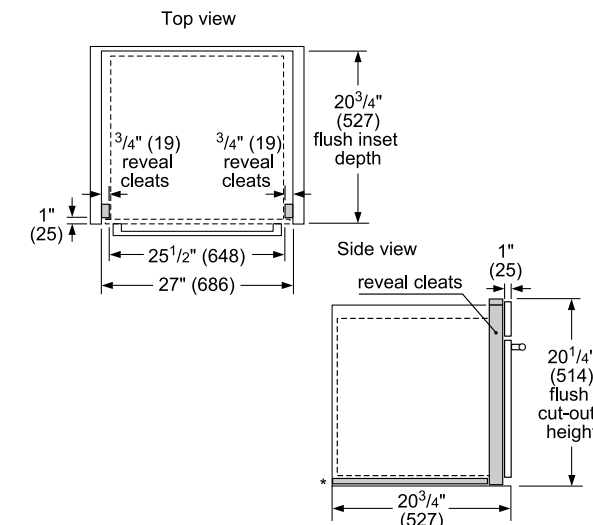
## 30" Microwave Standard Installation



\* Receptacle may be located above or beneath the unit within reach of the power cable.

measurements in inches (mm)

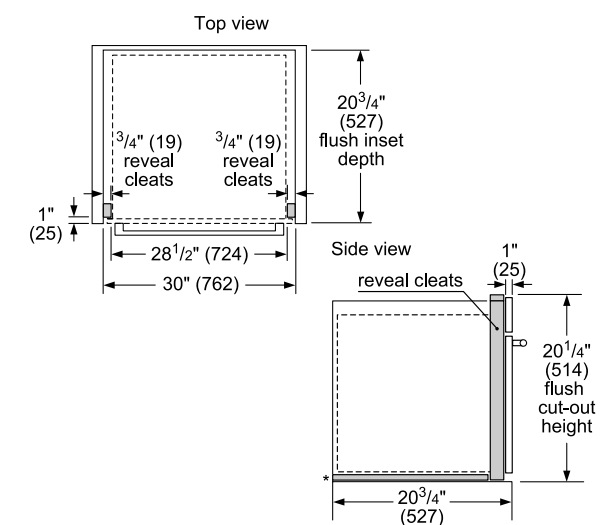
## 27" Microwave Flush Installation



\* Flush installation requires a 5/16" (8 mm) high x 25 1/2" (648 mm) wide x 19 3/4" (500 mm) deep base plate underneath the unit body.

measurements in inches

## 30" Microwave Flush Installation



\* Flush installation requires a 5/16" (8 mm) high x 28 1/2" (724 mm) wide x 19 3/4" (500 mm) deep base plate underneath the unit body.

measurements in inches



# 300 Series Built-in Microwaves



HMB30155UC shown with 30" trim kit HMT5055



HMB30155UC shown with 27" trim kit HMT5755

## 24" 300 Series HMB30155UC

- 2.1 cu. ft.
- 1,000 Watts Microwave Cooking
- Automatic Sensor Programs
- Designed to Match Bosch Wall Ovens

### 300 Series

Stainless Steel – HMB57152UC

#### General Properties

Cooking modes	Sensor cook: sensor, frozen dinner, vegetables; reheat pizza, defrost, soften, popcorn, vegetable, potato, frozen entrée
Cavity color	White
Interior light	1
Kitchen timer	Yes
Max. microwave power	1,000 W

#### Capacity

Cavity capacity	2.1 cu. ft.
Turntable diameter	16 1/2"

#### Technical Details

Watts	1,500 W
Circuit breaker	20 A
Volts	120 V
Frequency	60 Hz
Power cord length	43"
Power plug (BSH requirements)	41" min length; NEMA 5-15P

#### Dimensions & Weight

Overall appliance dimensions (HxWxD)	13 5/8" X 24 3/8" x 19 11/16"
Required cutout size (HxWxD)	27" trim kit: 19 7/8" x 25 7/16" x 23" 30" trim kit: 19 7/8" x 28 7/16" x 23"
Oven overall interior dimensions (HxWxD)	15" x 28 7/16" x 17 11/16"
Usable oven interior dimensions (HxWxD)	15" x 28 11/32" x 17 11/16"
Net weight	43 lbs

#### Accessories - Included

Included	1 Ceramic Glass Tray, 1 Roller Ring
----------	-------------------------------------

#### Required Accessories



HMT5055  
30" Trim Kit

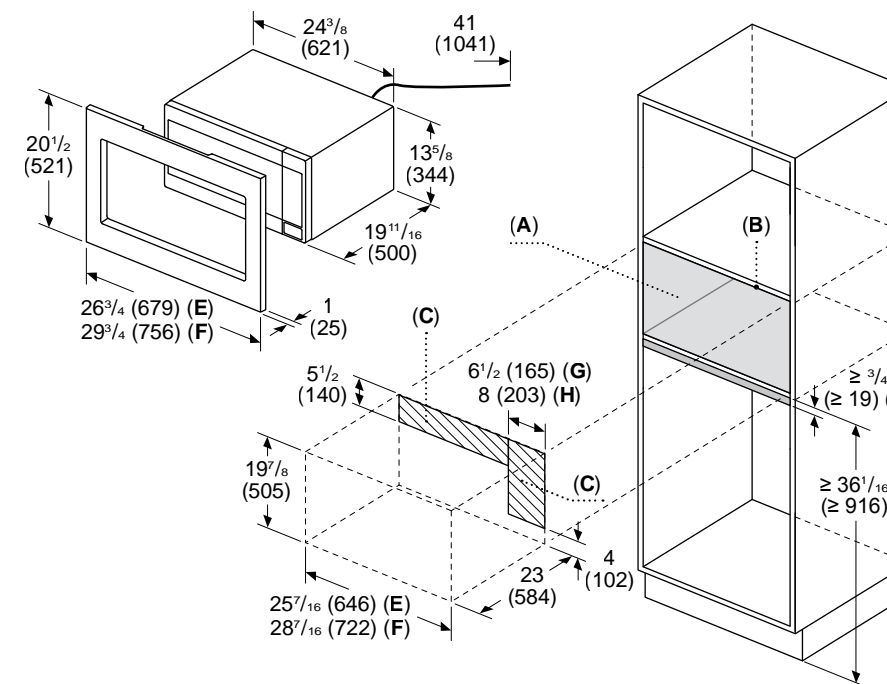


HMT5755  
27" Trim Kit

A trim kit must be purchased together with the microwave.

# 300 Series Built-in Microwaves

## 24" Microwave Dimensions



- A: Microwave cut-out
- B: Top of microwave shelf
- C: Space for appliance connection
- D: If an oven located below
- E: For 27" (686 mm) trim kit
- F: For 30" (762 mm) trim kit
- G: For 27" (686 mm) cut-out
- H: For 30" (762 mm) cut-out

Measurements in inches (mm)



# 500 Series Warming Drawer



## 30" 500 Series Warming Drawer HWD5051UC

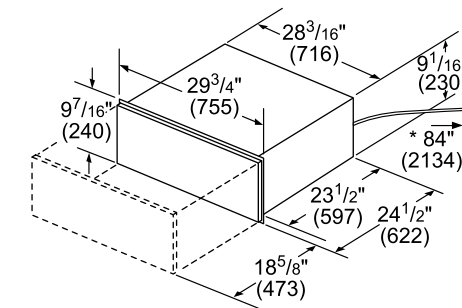
- 2.2 cu. ft.
- 3 Settings, Timer
- Installs Vertically Under Bosch Speed Oven or Wall Oven

+ Indicates a step-up feature

Warming Drawers	
30" Stainless Steel – HWD5051UC	
<b>General Properties</b>	
Power levels	High, low, medium
Dough proofing mode	Yes
Temperature range	100° – 190° F
Timer 5 min. – 5 hours	Yes
Automatic shut off after 1 hour	Yes
Door opening	Push to open
Hinges	Ball bearing hinges
Wattage heating element	450 W
Control type	Illuminated TouchControl
<b>Capacity</b>	
Cavity capacity	2.2 cu. ft.
<b>Technical Details</b>	
Watts	450 W
Circuit breaker	15 A
Volts	120 V
Frequency	60 Hz
Power cord length	84"
Plug type	120V – 3 prong
<b>Dimensions &amp; Weight</b>	
Overall appliance dimensions (HxWxD)	9 7/16" x 29 3/4" x 23 1/2"
Required cutout size (HxWxD)	9 1/4" x 28 1/2" x 23 1/2"
Net weight	58 lbs
<b>Accessories – Included</b>	
Installation brackets	Install drawer below speed oven in one cut out (identical to single wall oven cut out). Products still need to be hooked up individually.

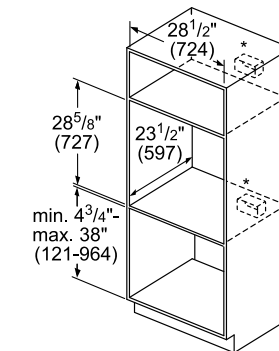
# 500 Series Warming Drawer

## 30" Warming Drawer Dimensions



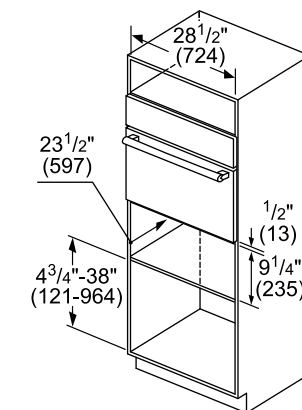
\* Power cord on warming drawer is 84" (2134 mm)

## 30" Speed Oven Over Warming Drawer



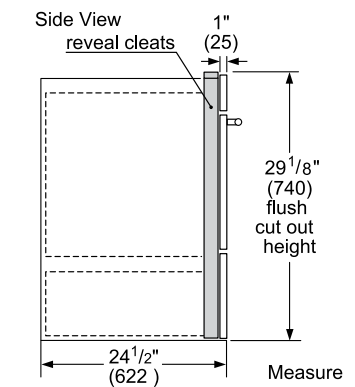
• For installation into a wall cabinet, the receptacle may be installed above, below, or to the left or right of the unit within range of the power cord.

## 30" Warming Drawer Wall-Mounted



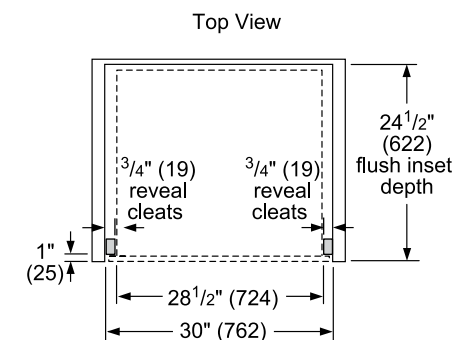
measurements in inches (mm)

## Speed Oven Over Warming Drawer

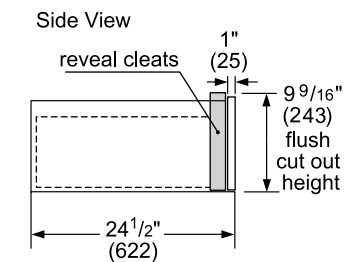


Measurements in inches (mm)

## 30" Flush Installation



## Flush Installation



**NOTE:** See pages 81–95 for planning and installation details when installing Bosch warming drawers in combination with other Bosch products.





# Coffee & Espresso Machines

Bosch coffee and espresso machines offer the ultimate convenience to brew barista-quality coffee from the comfort of your own home. The new VeroCafe countertop espresso machines are fully automatic, offering an all-in-one system that grinds whole beans and perfectly steams or froths milk, all with just a touch of a button. Enjoy the widest variety of 35+ beverages,\* including cold brew, on the 800 Series VeroCafe—discover a world of delicious coffee specialties.

\*Select models. Based on the number of beverage types that Bosch countertop fully automatic espresso machines ("FAEM") with Coffee World can make compared to other non-commercial countertop FAEMs, as of January 2024 in U.S. and Canada.



# VeroCafe Espresso Machines

Features vary by model



Shown: TQU60703 – 800 Series VeroCafe Espresso Machine



[Learn More](#)

## Widest Variety of Coffee Specialties\*

Enjoy the widest variety of beverages\* from fresh beans with just a touch of a button. Bosch 800 Series fully automatic espresso machines bring the cafe experience home and brews over 35 beverages—discover a world of delicious coffee from the comfort of your home.



[Learn More](#)

## Intuitive Active Select Display

Active Select Display features a 5-inch intuitive touchscreen that allows you to browse through a wide range of coffee specialties, personalize each cup to your exact liking, and brew your favorites at a touch of a button.



## Aroma Max System

When it comes to the preparation of great-tasting coffee, there's a lot to consider—from the flow rate and amount of water to the temperature of the heater and the grind of the beans. The Aroma Max System in Bosch espresso machines takes care of it all with its seamless technology, guaranteeing great coffee quality.



[Learn More](#)

## Aroma Select

Aroma Select allows you to really wake up and smell the coffee. Adjust the aroma of your brew (without adjusting the strength) of the coffee from mild, balanced, or distinctive.



## Simple Control via the Home Connect® app

Use your smartphone to remotely brew coffee from your Bosch fully automatic smart espresso machine.

[Learn More](#)



## Milk Express Comfort

Brewing your favorite cup of coffee just got easier. Milk Express Comfort features an integrated milk system, making it easier to enjoy a variety of milk-based drinks, from lattes to cappuccinos. Simply add your preferred milk in the container, select your coffee, and the rest is taken care of with just a touch of a button.



## Calc'n Clean for Optimal Performance

Calc'n Clean conveniently combines cleaning and descaling your machine, so you can spend more time enjoying great coffee taste. It guides you through each step of maintaining the machine, thereby ensuring best coffee quality and function, while helping to extend your machine's life.

## Optional Accessories



**TCZ7003US**  
Mavea® Water Filter Single (for use with 800 & 300 series)



**TCZ8001US**  
Cleaning Tablets (10) (for use with 800 & 300 series)



**TCZ8002US**  
Descaling Tablets (3) (for use with 800 & 300 series)



**TCZ6009US**  
Attached Milk Container (for use with select 800 series models)



**TCZ6008US**  
Milk Adapter (for use with 800 series TQU60703 / TQU60307)



**TCZ8008US**  
Glass Milk Container (for use with 800 series TPU60501 / TPU60309)

\*Based on the number of beverage types that Bosch countertop fully automatic espresso machines ("FAEM") with Coffee World can make compared to other noncommercial countertop FAEMs, as of January 2024 in U.S. and Canada.



# 800 Series Fully Automatic Espresso Machine with Integrated Milk Container



**800 Series VeroCafe Espresso Machine**  
**TQU60703 (Stainless Steel)**



- International Coffee Specialties
- Integrated Milk Solution
- Active Select Display
- Illuminated Brewing Area
- Aroma Max System and Aroma Select
- Coffee Playlist
- 30 Favorites
- + Active Cup Warmer, Coffee Pot Function

+ Indicates a step-up feature

**800 Series**

Stainless Steel – TQU60703

**General Properties**

Modes	Favorites (30), Classics, Coffee World (20), Warm Milk, Milk Froth, Hot Water, Steam Clean, Clean, Descaling, Active Cup Warmer, Coffee Pot Function
Settings	One or Two Cups, Adjustable Cup Sizes, AromaSelect (Mild, Balanced, Distinctive), AromaDouble Shot, Milk Express Comfort, Adjustable Grinding Degree (Multi-Level)
Programming	Home Connect®, Personalized Beverages, Remote Settings, Language, Display Brightness, Water Hardness, Temperature, Key Sounds (for off screen buttons only), Demo, Child-Proof Lock
Home Connect® features	Up to 36 Beverages (including Milk, Milk Foam and Hot Water), Remote Start, Additional Beverage Options, Adjustable Settings, Remote Warnings, Reminders, Coffee World, Coffee Playlist, Coffee World+ Remote Diagnosis, Additional Coffee Know-How, Software Updates, Online Support
Sensor alerts	Water Level, Bean Container

**Design Elements**

Display	5" TFT-color display with touch and slide functionality
Beverage dispenser height	Adjustable up to 5 <b>11/16"</b>
Double cup settings	Yes
Display brightness	Adjustable
Illuminated coffee outlet	Adjustable
Dishwasher-safe beverage outlet, drip tray and drip pans	Yes
Automatic reminders	Cleaning, Descaling, Water filter change

**Capacity**

Capacity of water container	81.15 oz.
Bean container	11.28 oz.
Milk container	23.67 oz.

**Technical Details**

Watts / Amps	1,600 W / 13.33 A
Current, Volts, Frequency	10 A, 120 V, 60 Hz
Power cord length	39"
Plug type	120V-3 prong
Energy source	Electric
Pump pressure	275 psi (19 bar)
Grinding system	Ceramic disks
Cleaning system	Calc'n Clean
Milk clean system	Automatic

**Dimensions & Weight**

Overall appliance dimensions (HxWxD)	15" W x 13 <b>7/8"</b> H x 18 <b>3/8"</b> D
Net weight	22.02 lbs

**Accessories – Included**

Mavea® Water Filter, Mavea® Water Filter Insertion Aid, 1 Set Cleaning and Descaler Tablets, Milk Adapter, Attached Milk Container, Water Hardness Test Strip, Welcome Box

**NOTE:** See page 121 for Optional Accessories

# 800 Series Fully Automatic Espresso Machine with Integrated Milk Container



**800 Series VeroCafe Espresso Machine**  
**TQU60307 (Silver)**



- International Coffee Specialties
- + Integrated Milk Solution
- Active Select Display
- Illuminated Brewing Area
- Aroma Max System and Aroma Select
- Coffee Playlist
- + 30 Favorites

+ Indicates a step-up feature

**800 Series**

Silver – TQU60307

**General Properties**

Modes	Favorites (30), Classics, Coffee World (20), Warm Milk, Milk Froth, Hot Water, Steam Clean, Clean, Descaling
Settings	One or Two Cups, Adjustable Cup Sizes, AromaSelect (Mild, Balanced, Distinctive), AromaDouble Shot, Milk Express Comfort, Adjustable Grinding Degree (Multi-Level)
Programming	Home Connect®, Personalized Beverages, Remote Settings, Language, Display Brightness, Water Hardness, Temperature, Key Sounds (for off screen buttons only), Demo, Child-Proof Lock
Home Connect® features	Up to 36 Beverages (Including Milk, Milk Foam and Hot Water), Remote Start, Additional Beverage Options, Adjustable Settings, Remote Warnings, Reminders, Coffee World, Coffee Playlist, Coffee World+ Remote Diagnosis, Additional Coffee Know-How, Software Updates, Online Support
Sensor alerts	Water Level, Bean Container, Milk Level

**Design Elements**

Display	5" TFT-color display with touch and slide functionality
Beverage dispenser height	Adjustable up to 5 <b>11/16"</b>
Double cup settings	Yes
Display brightness	Adjustable
Illuminated coffee outlet	Adjustable
Dishwasher-safe beverage outlet, drip tray and drip pans	Yes
Automatic reminders	Cleaning, Descaling, Water filter change

**Capacity**

Capacity of water container	81.15 oz.
Bean container	11.28 oz.
Milk container	23.67 oz.

**Technical Details**

Watts / Amps	1,600 W / 13.33 A
Current, Volts, Frequency	10 A, 120 V, 60 Hz
Power cord length	39"
Plug type	120V-3 prong
Energy source	Electric
Pump pressure	275 psi (19 bar)
Grinding system	Ceramic disks
Cleaning system	Calc'n Clean
Milk clean system	Automatic

**Dimensions & Weight**

Overall appliance dimensions (HxWxD)	15" W x 13 <b>7/8"</b> H x 18 <b>3/8"</b> D
Net weight	22.02 lbs

**Accessories – Included**

Mavea® Water Filter, Mavea® Water Filter Insertion Aid, 1 Set Cleaning and Descaler Tablets, Milk Adapter, Attached Milk Container, Water Hardness Test Strip, Welcome Box

**NOTE:** See page 121 for Optional Accessories



## 800 Series Fully Automatic Espresso Machines



**800 Series VeroCafe Espresso Machine with External Glass Milk Container**  
**TPU60501 (Silver)**

- International Coffee Specialties
- Active Select Display
- Illuminated Brewing Area
- Aroma Max System and Aroma Select
- Coffee Playlist
- + 20 Favorites
- + Glass Milk Container



**800 Series VeroCafe Espresso Machine with Flexible Milk Hose**  
**TPU60309 (Black)**

- Barista-quality Coffee Specialties
- Active Select Display
- Illuminated Brewing Area
- Aroma Max System and Aroma Select
- Coffee Playlist
- 10 Favorites



+ Indicates a step-up feature

800 Series	800 Series
Silver – TPU60501	Black – TPU60309

### General Properties

	800 Series	800 Series
Modes	Favorites (20), Classics, Coffee World (20), Warm Milk, Milk Froth, Hot Water, Steam Clean, Clean, Descaling	Favorites (10), Classics, Coffee World (20), Warm Milk, Milk Froth, Hot Water, Steam Clean, Clean, Descaling
Settings	One or Two Cups, Adjustable Cup Sizes, AromaSelect (Mild, Balanced, Distinctive), AromaDouble Shot, Adjustable Milk Ratio, Adjustable Grinding Degree (Multi-Level)	
Programming	Home Connect®, Personalized Beverages, Remote Settings, Language, Display Brightness, Water Hardness, Temperature, Key Sounds (for off screen buttons only), Demo, Child-Proof Lock	
Home Connect® features	Up to 36 Beverages (including Milk, Milk Foam and Hot Water), Remote Start, Additional Beverage Options, Adjustable Settings, Remote Warnings, Reminders, Coffee World, Coffee Playlist, Coffee World+ Remote Diagnosis, Additional Coffee Know-How, Software Updates, Online Support	Up to 35 Beverages (including Milk, Milk Foam and Hot Water), Remote Start, Additional Beverage Options, Adjustable Settings, Remote Warnings, Reminders, Coffee World, Coffee Playlist, Coffee World+ Remote Diagnosis, Additional Coffee Know-How, Software Updates, Online Support
Sensor alerts	Water Level, Bean Container	Water Level, Bean Container

### Design Elements

	800 Series	800 Series
Display	5" TFT-color display with touch and slide functionality	5" TFT-color display with touch and slide functionality
Beverage dispenser height	Adjustable up to 5 <sup>11</sup> / <sub>16</sub> "	Adjustable up to 5 <sup>11</sup> / <sub>16</sub> "
Double cup settings	Yes	Yes
Display brightness	Adjustable	Adjustable
Illuminated coffee outlet	Yes	Yes
Dishwasher-safe beverage outlet, drip tray and drip pans	Yes	Yes
Automatic reminders	Cleaning, Descaling, Water filter change	Cleaning, Descaling, Water filter change

### Capacity

	800 Series	800 Series
Capacity of water container	81.15 oz.	81.15 oz.
Bean container	11.28 oz.	11.28 oz.
Milk container	26 oz.	N/A

### Technical Details

	800 Series	800 Series
Watts / Amps	1,600 W / 13.33 A	1,600 W / 13.33 A
Current, Volts, Frequency	10 A, 120 V, 60 Hz	10 A, 120 V, 60 Hz
Power cord length	39"	39"
Plug type	120V-3 prong	120V-3 prong
Energy source	Electric	Electric
Pump pressure	275 psi (19 bar)	275 psi (19 bar)
Grinding system	Ceramic disks	Ceramic disks
Cleaning system	Calc'n Clean	Calc'n Clean
Milk clean system	Automatic	Automatic

### Dimensions & Weight

	800 Series	800 Series
Overall appliance dimensions (HxWxD)	15" W x 12 <sup>3</sup> / <sub>16</sub> " H x 18 <sup>3</sup> / <sub>8</sub> " D	15" W x 12 <sup>3</sup> / <sub>16</sub> " H x 18 <sup>3</sup> / <sub>8</sub> " D
Net weight	21.14 lbs	21.14 lbs

### Accessories – Included

Mavea® Water Filter, Mavea® Water Filter Insertion Aid, 1 Set Cleaning and Descaler Tablets, Milk Container (TPU60501 only), Connection Hose for Milk Frother, Water Hardness Test Strip, Welcome Box

**NOTE:** See page 121 for Optional Accessories

## 300 Series Fully Automatic Espresso Machines



**300 Series VeroCafe Espresso Machine**  
**TIU20307 (Silver)**

- Prepare Espresso, Latte Macchiato, Cappuccino or Coffee
- Easy Select Panel
- Milk Express
- Aroma Max System
- + 5 Coffee Strengths



**300 Series VeroCafe Espresso Machine**  
**TIU20109 (Black)**

- Prepare Espresso, Latte Macchiato, Cappuccino or Coffee
- Easy Select Panel
- Milk Express
- Aroma Max System
- 3 Coffee Strengths

+ Indicates a step-up feature

300 Series	300 Series
Silver – TIU20307	Black – TIU20109

### General Properties

	300 Series	300 Series
Modes	Espresso, Coffee, Cappuccino, Latte Macchiato, Milk, Calc'n Clean	
Settings	One or Two Cups, Adjustable Cup Sizes, Brewing Temperature, Coffee Strength, Language	
Programming / Home Connect® features	N/A	N/A
Sensor alerts	Water Level, Bean Container	Water Level, Bean Container
Number of coffee strengths	5	3

### Design Elements

	300 Series	300 Series
Display	LCD touch control with illuminated sensor keys	Touch control with illuminated sensor keys
Beverage dispenser height	Adjustable up to 5 <sup>1</sup> / <sub>2</sub> "	Adjustable up to 5 <sup>1</sup> / <sub>2</sub> "
Double cup settings	Yes	Yes

### Capacity

	300 Series	300 Series
Capacity of water container	45 oz.	45 oz.
Bean container	9 oz.	9 oz.

### Technical Details

	300 Series	300 Series
Watts / Amps	1,600 W / 13.33 A	1,600 W / 13.33 A
Current, Volts, Frequency	10 A, 120 V, 60 Hz	10 A, 120 V, 60 Hz
Power cord length	39"	39"
Plug type	120V-3 prong	120V-3 prong
Energy source	Electric	Electric
Pump pressure	N/A	N/A
Grinding system	Ceramic disks	Ceramic disks
Cleaning system	Calc'n Clean	Calc'n Clean
Milk clean system	Dishwasher-safe	Dishwasher-safe

### Dimensions & Weight

	300 Series	300 Series
Overall appliance dimensions (HxWxD)	14 <sup>7</sup> / <sub>8</sub> " W x 9 <sup>3</sup> / <sub>4</sub> " H x 16 <sup>1</sup> / <sub>2</sub> " D	14 <sup>7</sup> / <sub>8</sub> " W x 9 <sup>3</sup> / <sub>4</sub> " H x 16 <sup>1</sup> / <sub>2</sub> " D
Net weight	14.74 lbs	14.74 lbs

### Accessories – Included

Mavea® Water Filter, 1 Set Cleaning and Descaler Tablets, Water Hardness Test Strip, Welcome Box  
1 Water Hardness Test Strip

**NOTE:** See page 121 for Optional Accessories



# Built-in Coffee Machine



## Built-in Coffee Machine with Home Connect® BCM8450UC

- Prepare Espresso, Cappuccino, Latte Macchiato & More in Minutes
- Brew Coffee from Anywhere in Your Home with the Home Connect® App
- Consistent Brewing Temperature for a Better Tasting Coffee
- Prepare Your Favorite Cup of Coffee with the Simple Touch of a Button
- MyFavorites Stores up to 8 of Your Favorite Coffee Preferences



### Built-in Coffee Machine with Home Connect®

Stainless Steel – BCM8450UC

#### General Properties

Modes	Caffé Latte, Cappuccino, Coffee, Espresso, Espresso Macchiato, Latte Macchiato, Ristretto, Hot Water, Warm Milk, Steam Clean, Clean, Descaling
Settings	One or two cups, adjustable cup sizes, brewing temperature, coffee strength, grind adjustment
Programming	Home Connect®, personalized beverages, remote settings, language, light and display brightness, water hardness, temperature, time, key sounds, demo, child-proof lock
Home Connect® features	Remote start, additional beverage options, adjustable settings, remote warnings, reminders, CoffeeWorld, coffee playlist, coffee recipes, remote diagnosis, tips and tricks videos, use and care manual, shop online
Sensor alerts	Water level, bean container, drip tray, coffee grounds

#### Design Elements

Display	Large color touch screen
Selection dial	Stainless steel ring
Beverage dispenser	Adjustable
Double cup settings	Yes
Display brightness	Adjustable
Light brightness	Adjustable
Flush installation	Yes
Container access	Front door

#### Capacity

Capacity of removable water container	5/8 gallon
Bean container	1 lb.
Stainless steel milk container	17 oz.
Powder coffee	1 Scoop

#### Technical Details

Watts	1,600 W
Circuit breaker	15 A
Current, Volts, Frequency	10 A, 120 V, 60 Hz
Power cord length	39"
Plug type	120V-3 prong
Energy source	Electric
Pump pressure	275 psi (19 bar)
Grinding system	Ceramic disks
Cleaning system	Automatic
Milk clean system	Steam

#### Dimensions & Weight

Overall appliance dimensions (HxWxD) (not including transformer)	23 3/8" W x 17 7/8" H x 14" D
Net weight	43 lbs (Weight of appliance only without transformer)
Transformer weight	27.5 lbs

#### Accessories – Included

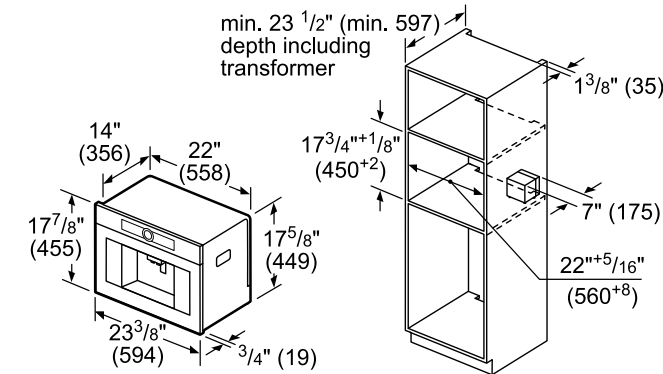
Stainless steel milk container, powder coffee scoop, 1 water hardness test strip

#### Optional Accessories

<b>HEZCMT3050</b> 30" Stainless Steel Trim Kit	<b>11005967</b> Stainless Steel Milk Container	<b>11015223</b> Bean Container	<b>00312093</b> Descaling Tablets	<b>00312096</b> Cleaning Tablets	<b>12008246</b> Water Filter
---	---	-----------------------------------	--------------------------------------	-------------------------------------	---------------------------------

# Built-in Coffee Machine

## Product Dimensions and Installation



Bean and water reservoir are removed to the front. Recommended installation height 37 1/2"-57" (95-145 cm).

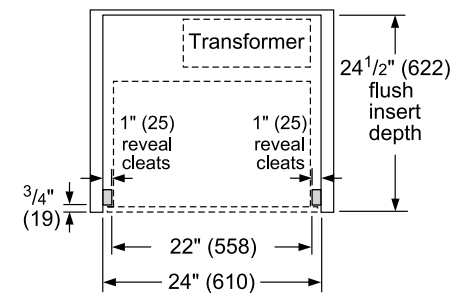
measurements in inches (mm)

#### Design Tip

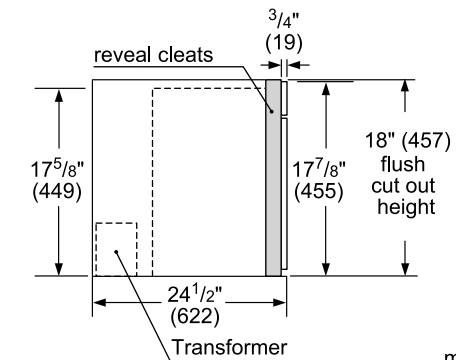
The Bosch Built-in Coffee Machine and 30" Trim Kit pair perfectly with a Bosch Warming Drawer. 30" Warming Drawer – HWD5051UC

## Flush Installation

Top View

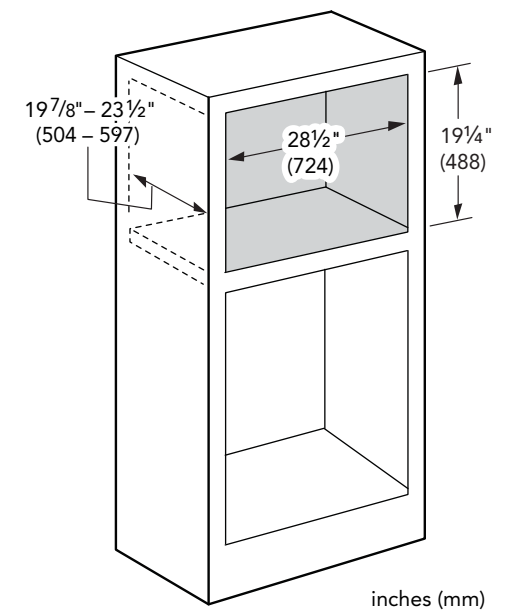
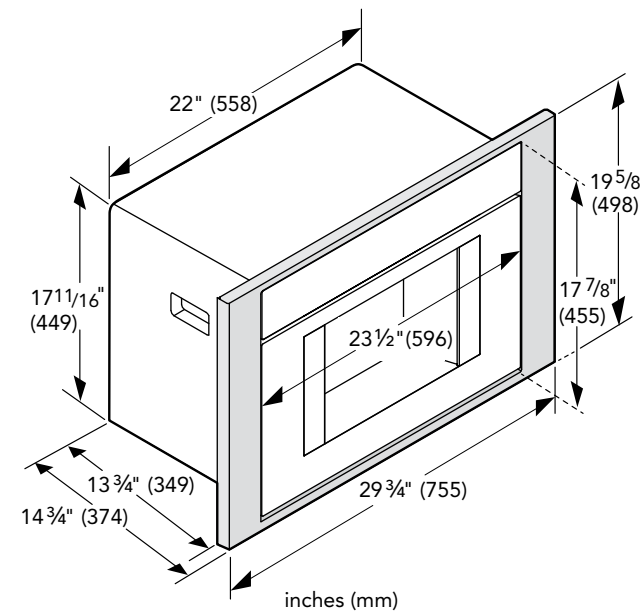


Side View



measurements in inches (mm)

## Cutout Dimensions with Optional Trim Kit HEZCMT3050







# Ranges

Bosch ranges combine beautiful design and function to serve as the kitchen's daily companion. Every model is engineered for precision and reliability.

Our slide-in ranges are available in induction, gas, dual-fuel, and electric, and offer features that provide speed and efficiency. Select ovens feature Convection Multi-Rack for even browning and time savings by using multiple racks at one time, while innovative technology like induction makes cooking easier.

Our industrial-style freestanding ranges feature bold, heavy duty die-cast metal control knobs as well as pedestal feet to make a beautiful focal point in any kitchen.



# Benchmark™ Series Slide-in Ranges

include these features:



## Slide-in Design

Our convenient, slide-in design lends an instant, built-in look to any kitchen.



## QuietClose® Doors

On our Benchmark™ Series, QuietClose® doors never slam shut, instead closing smoothly and effortlessly for stress-free cooking.



## Convection Multi-Rack

The dual-fuel, electric and induction ranges feature Convection Multi-Rack, which combines a third heating element with a back fan for even browning and time savings by using multiple racks at one time.



## Faster Cooking

Induction offers faster cooking and more precise temperature control, resulting in greater speed and efficiency.



## Ultimate Flexibility

The Benchmark Induction range has 4 elements with SpeedBoost® capability and max power at 3700W. For ultimate flexibility, FlexInduction® combines two cooking zones into one surface for larger pans or griddles.



## Dual-Stacked Burner

Our gas and dual-fuel ranges feature a powerful 20,000 BTU center, dual-stacked burner that delivers faster boiling and low simmering for greater cooking flexibility.



# Benchmark™ Series Induction Slide-in Range



## HIIP057U (Induction)

- Full-Depth Slide-in Range
- + FlexInduction®
- + QuietClose® Door
- SpeedBoost®
- Convection Multi-Rack
- Temperature Probe
- Warming Drawer
- + Telescopic Rack

+ Indicates a step-up feature

### Induction

Stainless Steel – HIIP057U

### General Properties

Cooking modes	Bake, Variable Broil (Hi & Low), Roast, Warm, Proof Dough, Convection Bake, Convection Broil, Convection Roast, Convection Multi-Rack, Convection Conversion, Pizza, Fast Preheat, Sabbath
Cleaning type	Self clean
Knob material	–
Interior lights	2
Kitchen timer	Yes
Drawer type	Warming drawer

### Oven Performance

Bake / broil element watts	2,400 / 3,800 W
Convection element watts	2,000 W

### Element Performance

Total number of cooktop elements	4
Power of front left element watts	2,200 W (3,600 w/boost)
Power of back left element watts	2,200 W (3,600 w/boost)
Power of center element watts	–
Power of back right element watts	2,600 W (3,700 w/boost)
Power of front right element watts	1,400 W (2,200 w/boost)

### Element Size

Dimension of FlexInduction® zone	16" x 9"
Dimension of front left heating element	8" x 9"
Dimension of back left heating element	8" x 9"
Dimension of center heating element	–
Dimension of back right heating element	11"
Dimension of front right heating element	6"

### Technical Details

Watts	11,700 / 14,000 W
Circuit breaker	40 or 50 A*
Volts; Frequency	208 V / 240 V; 60 Hz
Plug type / Cord length	Fixed connection (no plug)

Energy source Electric

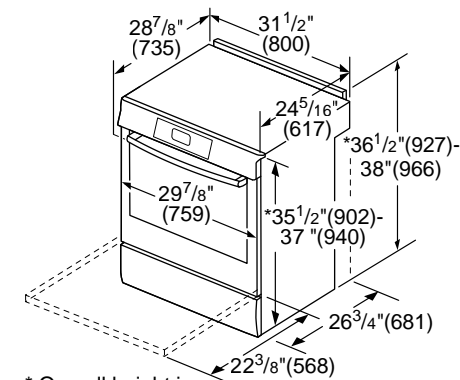
### Dimensions & Weight

Overall appliance dimensions (HxWxD)	36 1/2" – 38" x 31 1/2" x 28 7/8"
Required cutout size (HxWxD)	35 1/2" – 37" x 30" x 25"
Adjustable range height	1 1/2"
Oven cavity size	4.6 cu. ft.
Overall oven interior dimensions (HxWxD)	17 13/16" x 24 1/8" x 18"
Usable oven interior dimensions (HxWxD)	12 5/16" x 23 1/4" x 15 1/4"
Net weight	239 lbs

\*Varies by location, check local code

# Benchmark™ Series Induction Slide-in Ranges

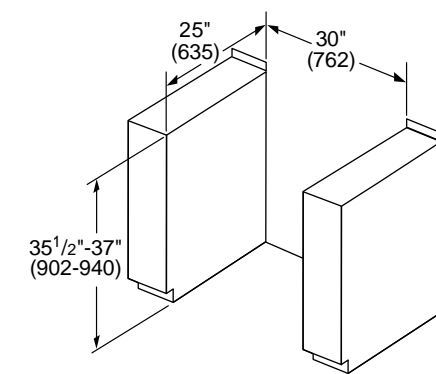
## Induction & Electric Range Dimensions



\* Overall height is adjustable via leveling legs.

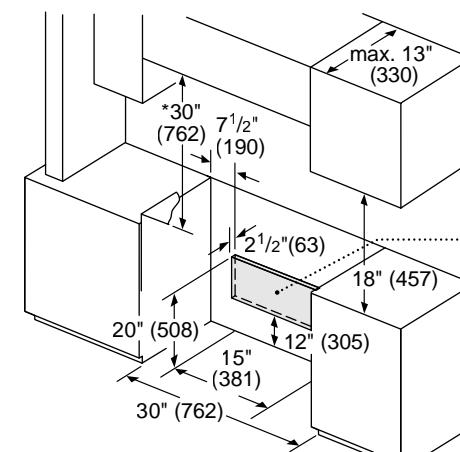
measurements in inches (mm)

## Induction & Electric Range Cutout Dimensions



measurements in mm

## Induction & Electric Range Installation



\* Minimum clearance of 30" required to overhead combustible surface. If installing overhead vent or over-the-range microwave, refer to clearances provided with these products.

208/240v Electrical Outlet Location

measurements in inches (mm)

### Accessories – Included

Use and care manual, installation guide, temperature probe, 2 standard racks, 1 telescopic rack

### Optional Accessories



HEZTR301  
30" Telescopic Rack



HEZBS301  
4" Low Backguard  
(Stainless Steel)



# Benchmark™ Series Dual-Fuel Slide-in Range



## HDIP056U (Dual-Fuel)

- Full-Depth Slide-in Range
- 5 Burners
- + 20,000 BTU Dual-Stacked Burner
- Convection Multi-Rack
- + QuietClose® Door
- + Telescopic Rack
- Temperature Probe
- Warming Drawer
- 4.6 cu. ft.
- + 2 Oven Lights

+ Indicates a step-up feature

### Dual-Fuel

Stainless Steel – HDIP056U

### General Properties

Cooking modes	Bake, Variable Broil (Hi & Low), Roast, Warm, Proof Dough, Convection Bake, Convection Broil, Convection Roast, Convection Multi-Rack, Convection Conversion, Pizza, Fast Preheat, Sabbath
Cleaning type	Self clean
Type of grate	Cast iron
Knob material	Metal
Interior light	2
Kitchen timer	Yes
Drawer type	Warming drawer
Sealed burners	Yes

### Oven Performance

Bake / broil element watts	2,400 W / 3,800 W
Convection element watts	2,000 W

### Burner Performance

Total number of cooktop burners	5
Total cooktop (NG / LP)	55,000 / 48,500 BTU
Power of front left burner (NG / LP)	10,000 / 8,000 BTU
Power of back left burner (NG / LP)	5,000 / 5,000 BTU
Power of center burner (NG / LP)	20,000 / 17,000 BTU
Power of back right burner (NG / LP)	5,000 / 5,000 BTU
Power of front right burner (NG / LP)	15,000 / 13,500 BTU

### Technical Details

Watts	4,800 / 6,400 W
Circuit breaker	30 A
Volts	208 V / 240 V
Frequency	60 Hz
Plug type / Cord length	Fixed connection (no plug)
Energy source	Mixed electric / gas
Gas type	Natural gas 15 mbar (USA)
Alternative gas type	LP 27.5 mbar (USA)

### Dimensions & Weight

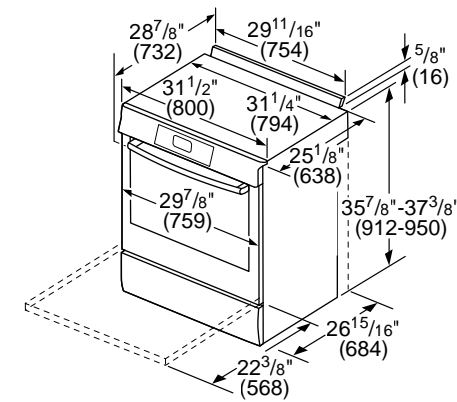
Overall appliance dimensions (HxWxD)	36 1/2" – 38" x 31 1/2" x 28 7/8"
Required cutout size (HxWxD)	35 1/2" – 37" x 30" x 25"
Adjustable range height	1 1/2"
Oven cavity size	4.6 cu. ft.
Overall oven interior dimensions (HxWxD)	17 13/16" x 24 1/8" x 18"
Usable oven interior dimensions (HxWxD)	12 5/16" x 23 1/4" x 15 1/4"
Net weight	227 lbs

### Accessories – Included

Included	Use and care manual, installation guide, temperature probe, LP conversion kit, 2 standard racks, 1 telescopic rack
----------	--

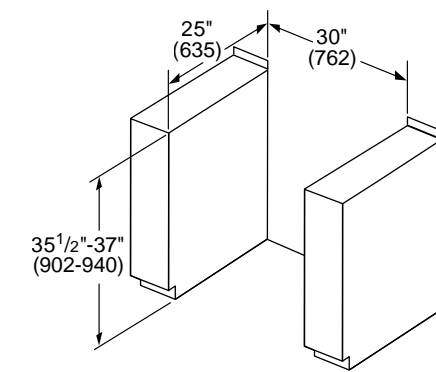
# Benchmark™ Series Dual-Fuel Slide-in Range

## Dual-Fuel Range Dimensions



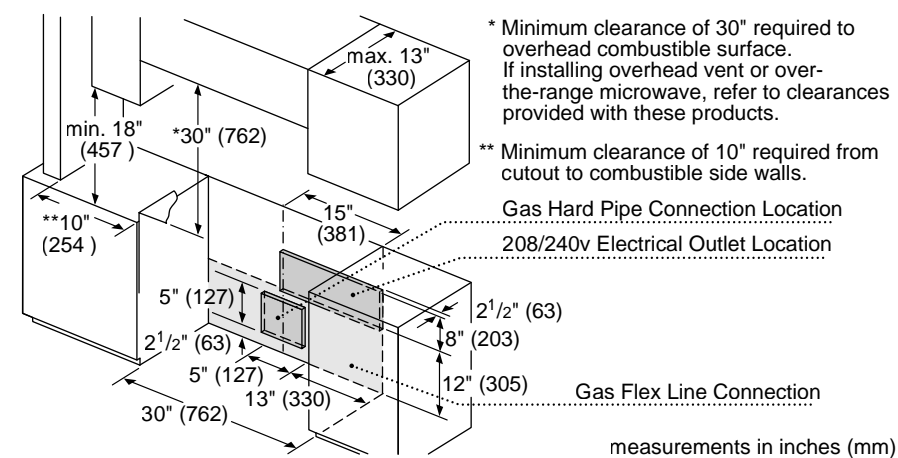
measurements in inches and (mm)

## Dual-Fuel Range Cutout Dimensions



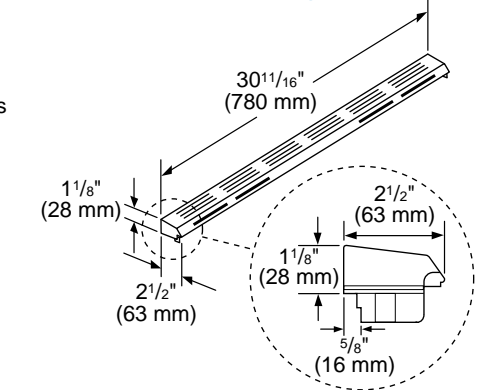
measurements in mm

## Dual-Fuel Range Installation



measurements in inches (mm)

## Island Trim – Dual-Fuel Range



Measurements in inches

## Optional Accessories

- HEZTR301** 30" Telescopic Rack
- HDZBS301** 4" Low Backguard, Dual-Fuel (Stainless Steel)
- HEZGR301** Griddle
- HEZ298102** Wok Ring
- HDZIT301** Island Trim for Island Applications, Dual-Fuel (Stainless Steel)



# Benchmark™ Series Gas Slide-in Range



## HGIP056UC (Gas)

- Full-Depth Slide-in Range
- 5 Burners
- + 20,000 BTU Dual-Stacked Burner
- + QuietClose® Door
- + Telescopic Rack
- Fan Convection
- + Temperature Probe
- Warming Drawer
- 4.8 cu. ft.
- + 2 Oven Lights

+ Indicates a step-up feature

### Gas

Stainless Steel – HGIP056UC

### General Properties

Cooking modes	Bake, Variable Broil (Hi & Low), Roast, Warm, Proof Dough, Convection Bake, Convection Roast, Convection Conversion, Pizza, Sabbath
Cleaning type	Self clean
Type of grate	Cast iron
Knob material	Metal
Interior light	2
Kitchen timer	Yes
Drawer type	Warming drawer
Sealed burners	Yes

### Oven Performance

Bake / broil burner power	18,000 / 12,500 BTU
Bake / broil element watts	-
Convection element watts	-

### Burner Performance

Total number of cooktop burners	5
Total cooktop (NG / LP)	55,000 / 48,500 BTU
Power of front left burner (NG / LP)	10,000 / 8,000 BTU
Power of back left burner (NG / LP)	5,000 / 5,000 BTU
Power of center burner (NG / LP)	20,000 / 17,000 BTU
Power of back right burner (NG / LP)	5,000 / 5,000 BTU
Power of front right burner (NG / LP)	15,000 / 13,500 BTU

### Technical Details

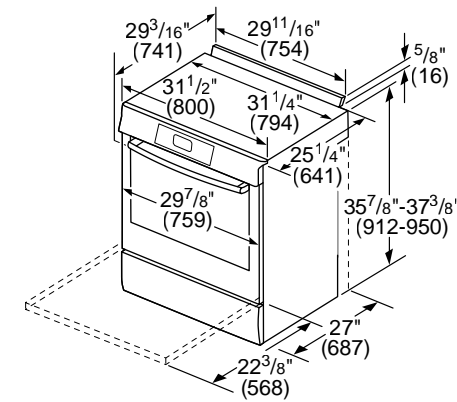
Circuit breaker	15 A
Volts	120 V
Frequency	60 Hz
Plug type	US 3-prong
Cord length	78"
Energy source	Gas
Gas type	Natural gas 15 mbar (USA)
Alternative gas type	LP 27.5 mbar (USA)

### Dimensions & Weight

Overall appliance dimensions (HxWxD)	36 1/2" – 38" x 31 1/2" x 29 3/16"
Required cutout size (HxWxD)	35 1/2" – 37" x 30" x 25 1/4"
Adjustable range height	1 1/2"
Oven cavity size	4.8 cu. ft.
Overall oven interior dimensions (HxWxD)	17 13/16" x 24 1/8" x 18"
Usable oven interior dimensions (HxWxD)	11 1/2" x 23 1/4" x 15 1/4"
Net weight	228 lbs

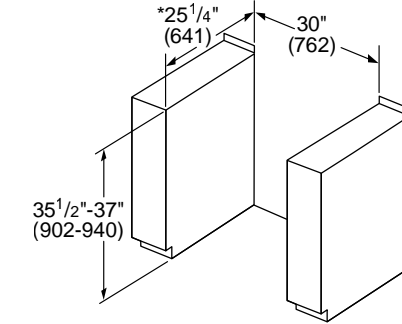
# Benchmark™ Series Gas Slide-in Range

## Gas Range Dimensions



measurements in inches and (mm)

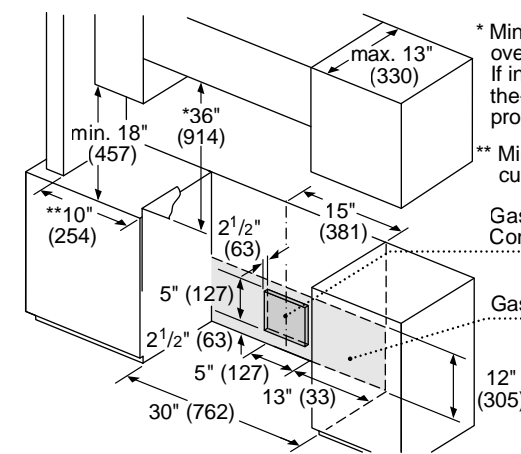
## Gas Range Cutout Dimensions



\* For island installation with island trim (HGZIT301), use a cutout depth of 25 3/8" (645)

measurements in inches and (mm)

## Gas Range Installation



\* Minimum clearance of 36" required to overhead combustible surface. If installing overhead vent or over-the-range microwave, refer to clearances provided with these products.

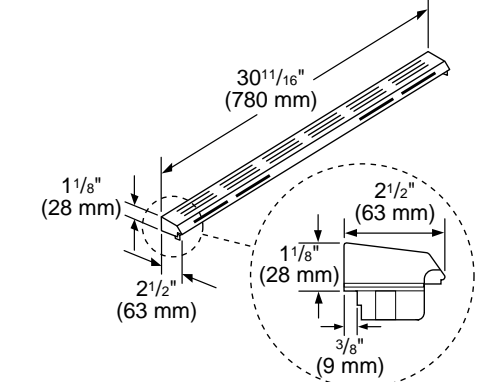
\*\* Minimum clearance of 10" required from cutout to combustible side walls.

Gas Hard Pipe Connection Location

Gas Flex Line Connection

measurements in inches (mm)

## Island Trim – Gas Range



Measurements in inches

## Accessories – Included

Included	Use and care manual, installation guide, temperature probe, LP conversion kit, 2 standard racks, 1 telescopic rack
----------	--

## Optional Accessories



**HEZTR301**  
30" Telescopic Rack



**HGZBS301**  
4" Low Backguard, Gas (Stainless Steel)



**HEZGR301**  
Griddle



**HEZ298102**  
Wok Ring



**HGZIT301**  
Island Trim for Island Applications, Gas (Stainless Steel)



# 800 Series Induction & Electric Slide-in Ranges



**Induction**  
**HII8057U (Stainless Steel)**  
**HII8047U (Black Stainless Steel)**

- Full-Depth Slide-in Range
- Precise, Fast and Efficient Cooking
- SpeedBoost®
- Convection Multi-Rack
- Temperature Probe
- Warming Drawer
- 4.6 cu. ft.

Black  
 Stainless Steel



**Electric**  
**HEI8056U (Stainless Steel)**

- Full-Depth Slide-in Range
- 6" / 9" 3,000-Watt Dual-Ring Element
- 9.5" 3,200- / 1,100-Watt Versatile Element
- 4 Elements + 1 Warming Zone
- Convection Multi-Rack
- Warming Drawer
- 4.6 cu. ft.

Induction	Electric
Stainless Steel – HII8057U	Stainless Steel – HEI8056U
Black Stainless Steel – HII8047U	

**General Properties**

	Induction	Electric
Cooking modes	Bake, Variable Broil (Hi & Low), Roast, Warm, Proof Dough, Convection Bake, Convection Broil, Convection Roast, Convection Multi-Rack, Convection Conversion, Pizza, Fast Preheat, Sabbath	Bake, Variable Broil (Hi & Low), Roast, Warm, Proof Dough, Convection Bake, Convection Broil, Convection Roast, Convection Multi-Rack, Convection Conversion, Pizza, Fast Preheat, Sabbath
Cleaning type	Self clean	Self clean
Knob material	–	Metal
Interior light	1	1
Kitchen timer	Yes	Yes
Drawer type	Warming drawer	Warming drawer

**Oven Performance**

	Induction	Electric
Bake / broil element watts	2,400 / 3,800 W	2,400 / 3,800 W
Convection element watts	2,000 W	2,000 W

**Element Performance**

	Induction	Electric
Total number of cooktop elements	4	5
Power of front left element watts	1,400 W (2,200 w/boost)	1,400 / 3,000 W
Power of back left element watts	2,200 W (3,700 w/boost)	1,200 W
Power of center element watts	–	100 W
Power of back right element watts	2,600 W (3,700 w/boost)	1,200 W
Power of front right element watts	1,400 W (2,200 w/boost)	1,100 / 3,200 W

**Element Size**

	Induction	Electric
Dimension of front left heating element	6"	6" / 9"
Dimension of back left heating element	9"	6"
Dimension of center heating element	–	6"
Dimension of back right heating element	11"	6"
Dimension of front right heating element	6"	9.5"

**Technical Details**

	Induction	Electric
Watts	11,700 / 14,000 W	11,300 / 14,800 W
Circuit breaker	40 or 50 A*	40 or 50 A*
Volts; Frequency	208 V / 240 V; 60 Hz	208 V / 240 V; 60 Hz
Plug type / Cord length	Fixed connection (no plug)	Fixed connection (no plug)
Energy source	Electric	Electric

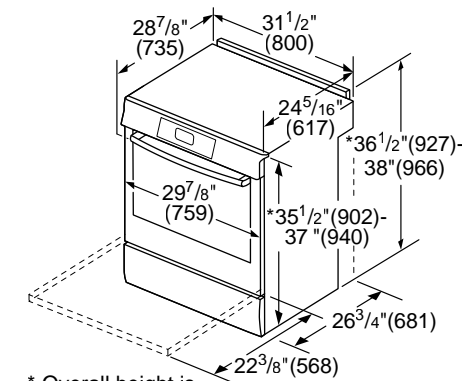
**Dimensions & Weight**

	Induction	Electric
Overall appliance dimensions (HxWxD)	36 1/2" – 38" x 31 1/2" x 28 7/8"	36 1/2" – 38" x 31 1/2" x 28 7/8"
Required cutout size (HxWxD)	35 1/2" – 37" x 30" x 25"	35 1/2" – 37" x 30" x 25"
Adjustable range height	1 1/2"	1 1/2"
Oven cavity size	4.6 cu. ft.	4.6 cu. ft.
Overall oven interior dimensions (HxWxD)	17 13/16" x 24 1/8" x 18"	17 13/16" x 24 1/8" x 18"
Usable oven interior dimensions (HxWxD)	12 5/16" x 23 1/4" x 15 1/4"	12 5/16" x 23 1/4" x 15 1/4"
Net weight	239 lbs	229 lbs

\*Varies by location, check local code

# 800 Series Induction & Electric Slide-in Ranges

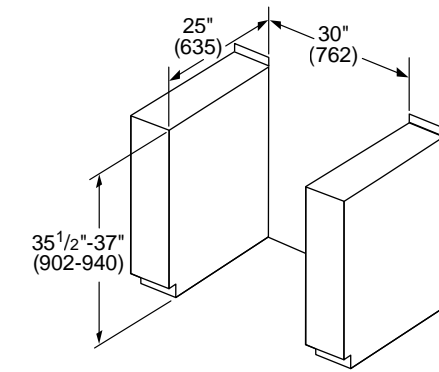
**Induction & Electric Range Dimensions**



\* Overall height is adjustable via leveling legs.

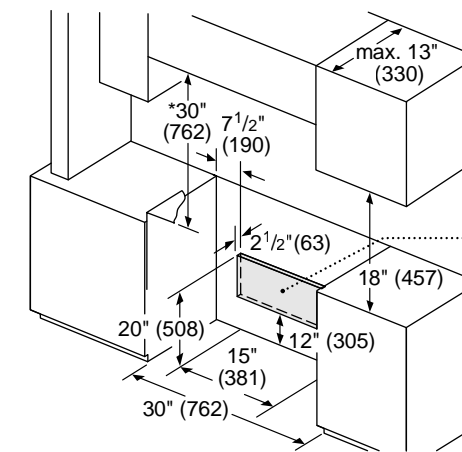
measurements in inches (mm)

**Induction & Electric Range Cutout Dimensions**



measurements in mm

**Induction & Electric Range Installation**



\* Minimum clearance of 30" required to overhead combustible surface. If installing overhead vent or over-the-range microwave, refer to clearances provided with these products.

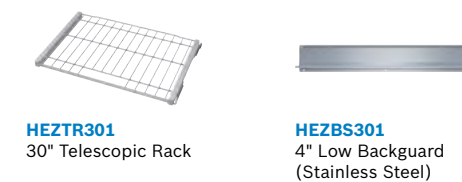
measurements in inches (mm)

Induction	Electric
Stainless Steel – HII8057U	Stainless Steel – HEI8056U
Black Stainless Steel – HII8047U	

**Accessories – Included**

Included	Induction	Electric
	Use and care manual, installation guide, temperature probe, 3 standard racks	Use and care manual, installation guide, 3 standard racks

**Optional Accessories**



# 800 Series Dual-Fuel Slide-in Range



## HDI8056U (Dual-Fuel)

- Full-Depth Slide-in Range
- 18,000 BTU Burner
- 5 Burners
- Convection Multi-Rack
- Temperature Probe
- Warming Drawer
- 4.6 cu. ft.

### Dual-Fuel

Stainless Steel – HDI8056U

### General Properties

Cooking modes	Bake, Variable Broil (Hi & Low), Roast, Warm, Proof Dough, Convection Bake, Convection Broil, Convection Roast, Convection Multi-Rack, Convection Conversion, Pizza, Fast Preheat, Sabbath
Cleaning type	Self clean
Type of grate	Cast iron
Knob material	Metal
Interior light	1
Kitchen timer	Yes
Drawer type	Warming drawer
Sealed burners	Yes

### Oven Performance

Bake / broil element watts	2,400 / 3,800 W
Convection element watts	2,000 W

### Burner Performance

Total number of cooktop burners	5
Total cooktop (NG / LP) BTU	53,000 / 44,000 BTU
Power of front left burner (NG / LP)	10,000 / 8,000 BTU
Power of back left burner (NG / LP)	5,000 / 5,000 BTU
Power of center burner (NG / LP)	18,000 / 12,500 BTU
Power of back right burner (NG / LP)	5,000 / 5,000 BTU
Power of front right burner (NG / LP)	15,000 / 13,500 BTU

### Technical Details

Watts	4,800 / 6,400 W
Circuit breaker	30 A
Volts	208 V / 240 V
Frequency	60 Hz
Plug type / Cord length	Fixed connection (no plug)
Energy source	Mixed electric / gas
Gas type	Natural gas 15 mbar (USA)
Alternative gas type	LP 27.5 mbar (USA)

### Dimensions & Weight

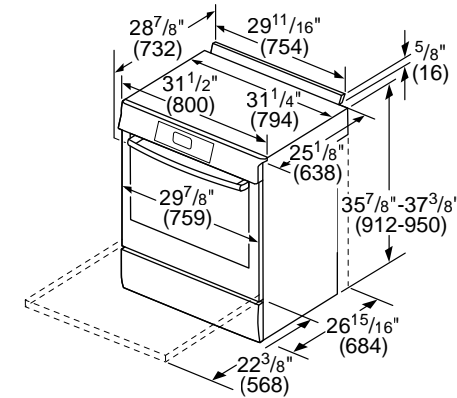
Overall appliance dimensions (HxWxD)	36 1/2" – 38" x 31 1/2" x 28 7/8"
Required cutout size (HxWxD)	35 1/2" – 37" x 30" x 25"
Adjustable range height	1 1/2"
Oven cavity size	4.6 cu. ft.
Overall oven interior dimensions (HxWxD)	17 13/16" x 24 1/8" x 18"
Usable oven interior dimensions (HxWxD)	12 5/16" x 23 1/4" x 15 1/4"
Net weight	227 lbs

### Accessories – Included

Included	Use and care manual, installation guide, temperature probe, LP conversion kit, 3 standard racks
----------	---

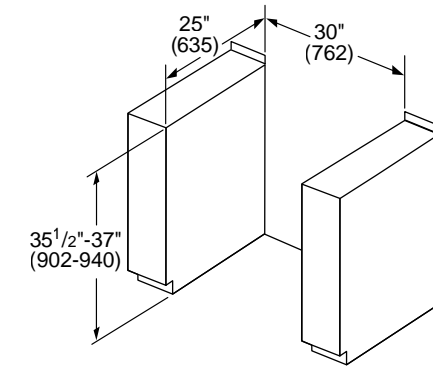
# 800 Series Dual-Fuel Slide-in Range

## Dual-Fuel Range Dimensions



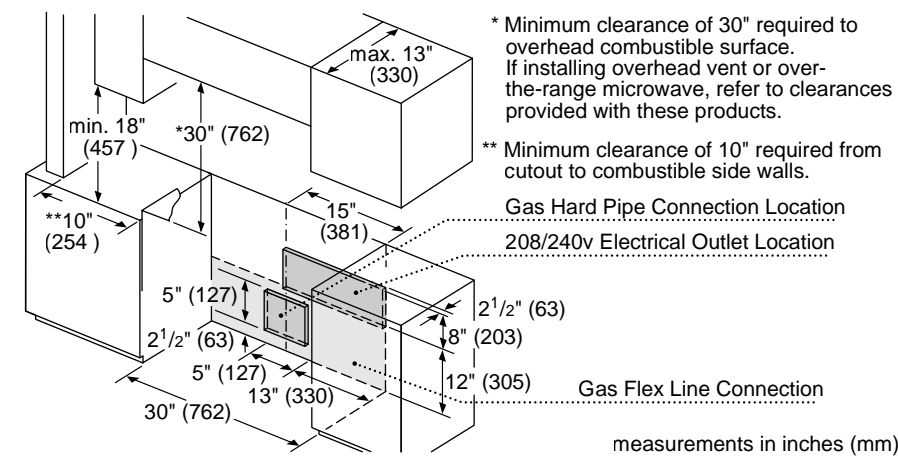
measurements in inches and (mm)

## Dual-Fuel Cutout Dimensions



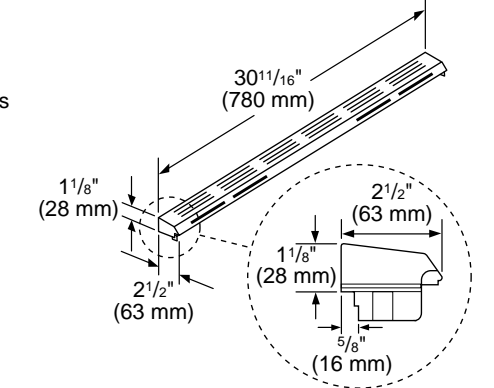
measurements in mm

## Dual-Fuel Range Installation



measurements in inches (mm)

## Island Trim – Dual-Fuel Range



Measurements in inches

## Optional Accessories

- HEZTR301** 30" Telescopic Rack
- HDZBS301** 4" Low Backguard, Dual-Fuel (Stainless Steel)
- HEZGR301** Griddle
- HEZ298102** Wok Ring
- HDZIT301** Island Trim for Island Applications, Dual-Fuel (Stainless Steel)



# 800 Series Gas Slide-in Ranges



**Gas**  
**HGI8056UC (Stainless Steel)**  
**HGI8046UC (Black Stainless Steel)**

- Full-Depth Slide-in Range
- 18,000 BTU Burner
- 5 Burners
- Heavy-duty Metal Knobs
- Warming Drawer
- 4.8 cu. ft.

Black  
 Stainless Steel

Gas	
Stainless Steel – HGI8056UC	
Black Stainless Steel – HGI8046UC	

General Properties	
Cooking modes	Bake, Variable Broil (Hi & Low), Roast, Warm, Proof Dough, Convection Bake, Convection Roast, Convection Conversion, Pizza, Sabbath
Cleaning type	Self clean
Type of grate	Cast iron
Knob material	Metal
Interior light	1
Kitchen timer	Yes
Drawer type	Warming drawer
Sealed burners	Yes

Oven Performance	
Bake / broil burner power	18,000 / 12,500 BTU

Burner Performance	
Total number of cooktop burners	5
Total cooktop (NG / LP)	53,000 / 46,500 BTU
Power of front left burner (NG / LP)	10,000 / 8,000 BTU
Power of back left burner (NG / LP)	5,000 / 5,000 BTU
Power of center burner (NG / LP)	18,000 / 15,000 BTU
Power of back right burner (NG / LP)	5,000 / 5,000 BTU
Power of front right burner (NG / LP)	15,000 / 13,500 BTU

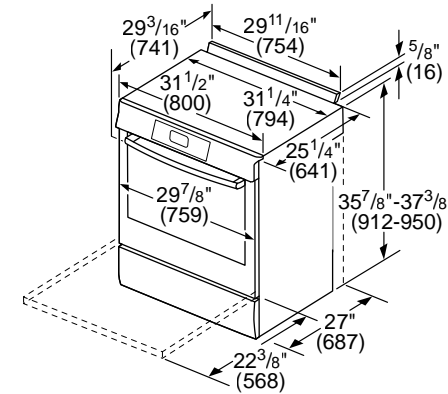
Technical Details	
Circuit breaker	15 A
Volts	120 V
Frequency	60 Hz
Plug type	US 3-prong
Cord length	78"
Energy source	Gas
Gas type	Natural gas 15 mbar (USA)
Alternative gas type	LP 27.5 mbar (USA)

Dimensions & Weight	
Overall appliance dimensions (HxWxD)	36 1/2" – 38" x 31 1/2" x 29 3/16"
Required cutout size (HxWxD)	35 1/2" – 37" x 30" x 25 1/4"
Adjustable range height	1 1/2"
Oven cavity size	4.8 cu. ft.
Overall oven interior dimensions (HxWxD)	17 13/16" x 24 1/8" x 18"
Usable oven interior dimensions (HxWxD)	11 1/2" x 23 1/4" x 15 1/4"
Net weight	228 lbs

Accessories – Included	
Included	Use and care manual, installation guide, LP conversion kit, 3 standard racks

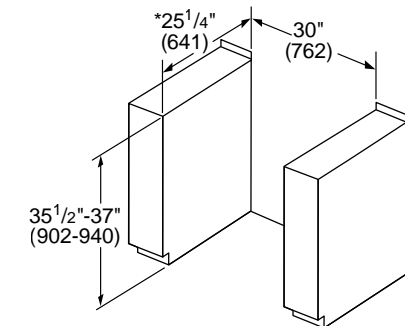
# 800 Series Gas Slide-in Ranges

## Gas Range Dimensions



measurements in inches and (mm)

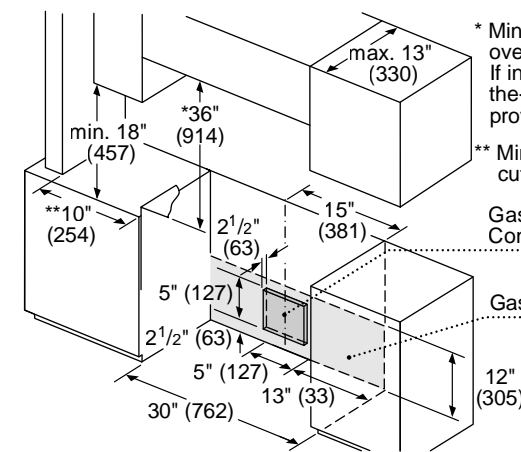
## Gas Cutout Dimensions



\* For island installation with island trim (HGZIT301), use a cutout depth of 25 3/8" (645)

measurements in inches and (mm)

## Gas Range Installation



\* Minimum clearance of 36" required to overhead combustible surface. If installing overhead vent or over-the-range microwave, refer to clearances provided with these products.

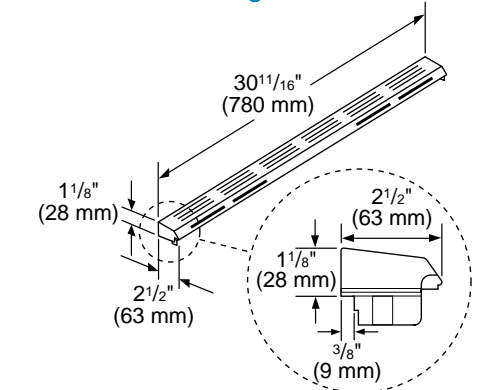
\*\* Minimum clearance of 10" required from cutout to combustible side walls.

Gas Hard Pipe Connection Location

Gas Flex Line Connection

measurements in inches (mm)

## Island Trim – Gas Range



Measurements in inches

## Optional Accessories



**HEZTR301**  
30" Telescopic Rack



**HGZBS301**  
4" Low Backguard, Gas (Stainless Steel)



**HEZGR301**  
Griddle



**HEZ298102**  
Wok Ring



**HGZIT301**  
Island Trim for Island Applications, Gas (Stainless Steel)







# 800 Series Industrial Style Ranges

include these features:



## Dual-Flame Burner

Go from simmer to sear with ease. The dual-flame power burner has two rings for low and high flame settings. Heat level 1-3 uses the inner ring, and 4-9 uses both rings for maximum heat.



## Front Control Knobs

Bosch industrial-style ranges bring convenience and sophistication to the kitchen with die-cast metal, front-control knobs.



## Industrial-chic Design

The bold freestanding design with pedestal feet and heavy-duty knobs makes the industrial-style range a focal point in any kitchen.



## Easy-to-Clean Surface

Thanks to its porcelain coating, the black enameled cooking surface is quickly and easily cleaned, with more resistance to scratches, abrasion, heat and stains. (Gas and dual fuel only)



## Edge-to-edge Frameless Surface

Our induction industrial style ranges feature a sleek edge-to-edge frameless surface for maximum cooking area and a streamlined look. (Induction only)



## QuietClose® Doors

Our QuietClose® doors never slam shut, instead closing smoothly and effortlessly for stress-free cooking.



# 800 Series Industrial Style Induction Range



**30" Induction 800 Series  
HIS8055U (Stainless Steel)**

- Commercial-Inspired Design with 4 Induction Elements
- Frameless, Edge-to-edge Surface Glass Cooktop
- Convection Multi-Rack
- Precise, Fast and Efficient Cooking
- SpeedBoost®
- QuietClose® Door
- Easy to View, Ergonomic Tilted Display
- Temperature Probe

**Induction**

HIS8055U – Stainless Steel

**General Properties**

Cooking modes	Bake, Convection Bake, Broil, Convection Broil, Convection Roast, Pizza, Proof, Convection Multi-Rack, Sabbath Mode
Cleaning type	Catalytic cleaning
Type of surface	Ceramic glass
Knob material	Metal
Interior light	1
Kitchen timer	Yes

**Oven Performance**

Bake / broil element watts	1,700 / 2,900 W
Convection element watts	2,700 W

**Element Performance**

Total induction elements	4
Power of back left element watts	1,400 W (2,200 w/ boost)
Power of front left element watts	2,300 W (3,700 w/ boost)
Power of front right element watts	2,300 W (3,700 w/ boost)
Power of back right element watts	1,850 W (3,000 w/ boost)

**Technical Details**

Watts	8,000 W
Circuit breaker	40 or 50 A*
Volts	208 V / 240 V
Frequency	60 Hz
Plug type / Cord length	Fixed connection (no plug)
Energy source	Electric

**Dimensions & Weight**

Overall appliance dimensions (HxWxD)	36" x 29 15/16" x 24 15/16" (26 1/2" with bull nose)
Required cutout size (HxWxD)	36" x 30" x 25"
Adjustable range height	35 9/16" Min. – 36 13/16" Max.
Oven cavity size	3.9 cu. ft.
Overall oven interior dimensions (HxWxD)	17 9/8" x 24 1/3" x 18 9/8"
Usable oven interior dimensions (HxWxD)	17 5/16" x 22 13/16" x 17 1/8"
Net weight	212 lbs

**Accessories – Included**

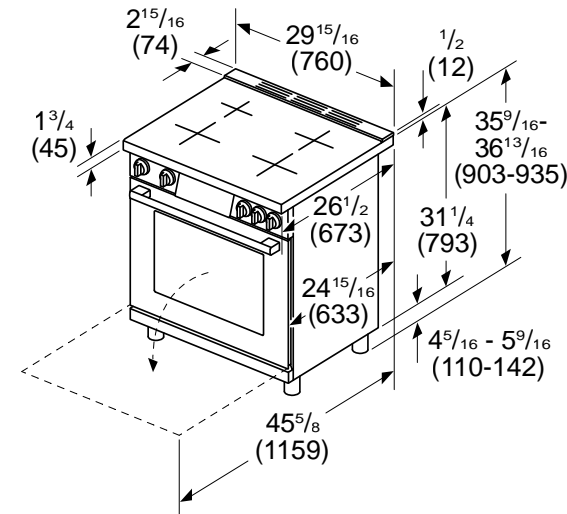
Included	Use and care manual, installation guide, temperature probe, 2 standard racks
----------	--

\*Varies by location, check local code

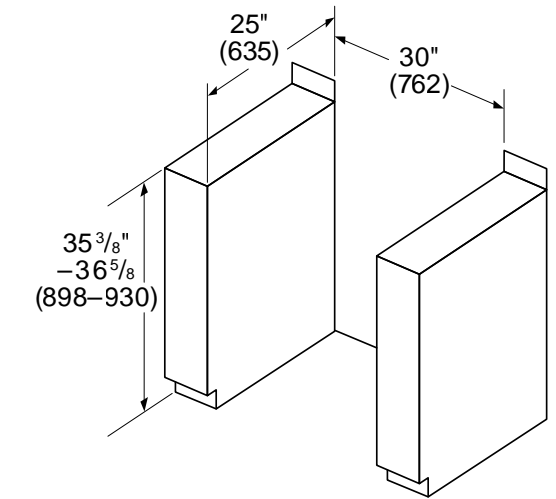
# 800 Series Industrial Style Induction Range

**Industrial Style Range Dimensions**

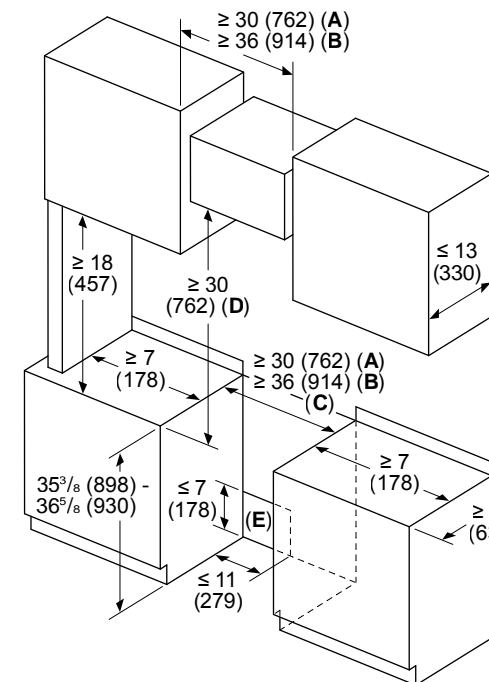
Measurements in inches (mm)



**Industrial Style Range Cutout Dimensions**



**Industrial Style Range Installation**



- A:** Installation parameters for the 36" width appliance
  - B:** Installation parameters for the 30" width appliance
  - C:** Zero clearance between adjacent combustible construction below the countertop surface and sides of the appliance
  - D:** Clearance between the top of the cooking surface and the bottom of the unprotected wood or metal surface
  - E:** Grounded outlet
- From cooking surface to side materials: no clearance is required from unit walls to adjacent vertical combustible walls on rear, right or left

Measurements in inches (mm)

**Optional Accessories**



**HEZ9YZ04UC**  
Side Panel Extension Kit  
Stainless Steel



**HEZ9TK30UC**  
30" Toe Kick  
Stainless Steel



**HEZ9LLUC**  
Metal Pedestal Feet  
Set of 4, Stainless Steel



# 800 Series Industrial Style Induction Range



**36" Induction 800 Series  
HIS8655U (Stainless Steel)**

- Commercial-Inspired Design with 5 Induction Elements
- Frameless, Edge-to-edge Surface Glass Cooktop
- Convection Multi-Rack
- Precise, Fast and Efficient Cooking
- + Combi Zone™
- Bosch's Most Powerful 5,500W Element
- QuietClose® Door
- + Telescopic Rack
- Easy to View, Ergonomic Tilted Display
- Temperature Probe

Induction	
	HIS8055U – Stainless Steel

### General Properties

Cooking modes	Bake, Convection Bake, Broil, Convection Broil, Convection Roast, Pizza, Proof, Convection Multi-Rack, Sabbath Mode
Cleaning type	Catalytic cleaning
Type of surface	Ceramic glass
Knob material	Metal
Interior light	1
Kitchen timer	Yes

### Oven Performance

Bake / broil element watts	1,700 / 2,900 W
Convection element watts	2,500 W

### Element Performance

Total induction elements	5
Power of back left element watts	1,850 W (3,000 w/ boost)
Power of front left element watts	1,850 W (3,000 w/ boost)
Power of front right element watts	2,300 W (3,700 w/ boost)
Power of back right element watts	1,400 W (2,200 w/ boost)
Power of center element watts (1 generator)	1,850 W (2,600 w/ boost)
Power of center element watts (both generators)	3,000 W (5,500 w/ boost)

### Technical Details

Watts	8,400 W
Circuit breaker	40 or 50 A*
Volts	208 V / 240 V
Frequency	60 Hz
Plug type / Cord length	Fixed connection (no plug)
Energy source	Electric

### Dimensions & Weight

Overall appliance dimensions (HxWxD)	36" x 35 15/16" x 24 15/16" (26 1/2" with bull nose)
Required cutout size (HxWxD)	36" x 36" x 25"
Adjustable range height	35 3/4" Min. – 36 3/4" Max.
Oven cavity size	3.7 cu. ft.
Overall oven interior dimensions (HxWxD)	15 1/32" x 28 7/16" x 17 9/16"
Usable oven interior dimensions (HxWxD)	14 9/16" x 26 15/16" x 16 1/8"
Net weight	215 lbs

### Accessories – Included

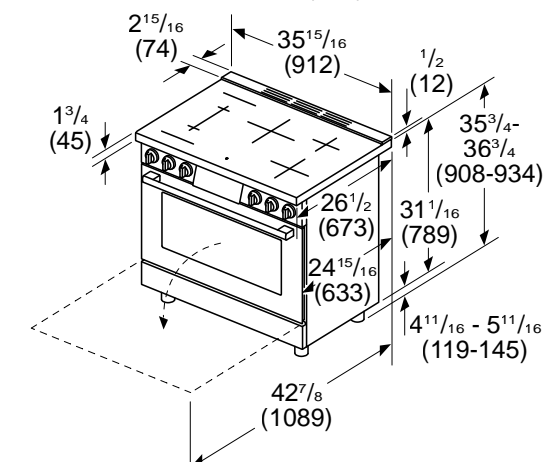
Included	Use and care manual, installation guide, temperature probe, 1 standard rack, 1 telescopic rack
----------	--

\*Varies by location, check local code

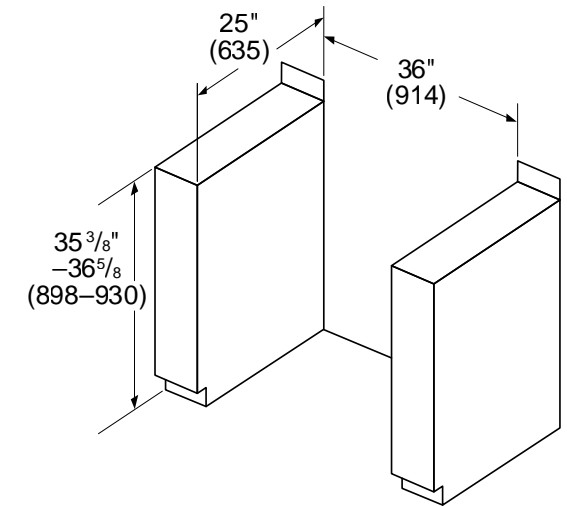
# 800 Series Industrial Style Induction Range

### Industrial Style Range Dimensions

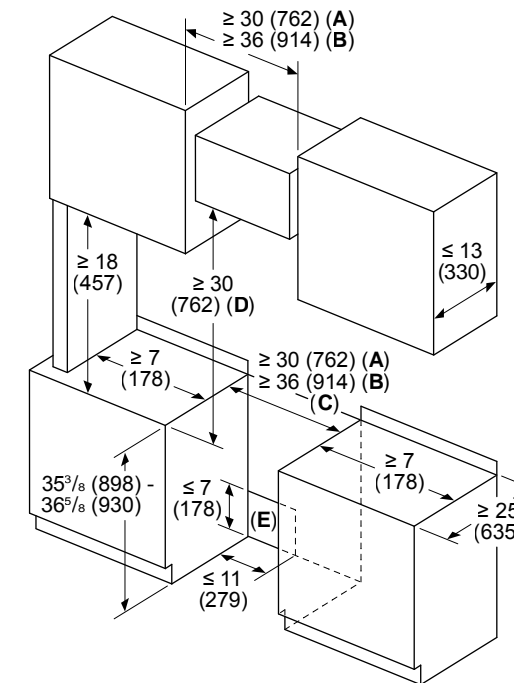
Measurements in inches (mm)



### Industrial Style Range Cutout Dimensions



### Industrial Style Range Installation



**A:** Installation parameters for the 36" width appliance

**B:** Installation parameters for the 30" width appliance

**C:** Zero clearance between adjacent combustible construction below the countertop surface and sides of the appliance

**D:** Clearance between the top of the cooking surface and the bottom of the unprotected wood or metal surface

**E:** Grounded outlet

From cooking surface to side materials: no clearance is required from unit walls to adjacent vertical combustible walls on rear, right or left

### Optional Accessories



**HEZ9YZ04UC**  
Side Panel Extension Kit,  
Stainless Steel



**HEZ9TK36UC**  
36" Toe Kick  
Stainless Steel



**HEZ9LLUC**  
Metal Pedestal Feet  
Set of 4, Stainless Steel

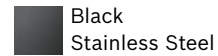


# 800 Series Industrial Style Gas & Dual-Fuel Ranges



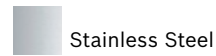
**30" Gas 800 Series**  
**HGS8055UC (Stainless Steel)**  
**HGS8045UC (Black Stainless Steel)**

- Commercial-Inspired Design with 5 Burners
- 18,000 BTU Dual Flame Ring Power Burner
- Dishwasher-safe Grates
- QuietClose® Door



**30" Dual-Fuel 800 Series**  
**HDS8055U (Stainless Steel)**  
**HDS8045U (Black Stainless Steel)**

- Commercial-Inspired Design with 5 Burners
- 18,000 BTU Dual Flame Ring Power Burner
- Dishwasher-safe Grates
- QuietClose® Door
- Convection Multi-Rack
- Temperature Probe



	Gas	Dual-Fuel
	HGS8055UC – Stainless Steel HGS8045UC – Black Stainless Steel	HDS8055U – Stainless Steel HDS8045U – Black Stainless Steel

**General Properties**

	Gas	Dual-Fuel
Cooking modes	Bake, Convection Bake, Broil	Bake, Convection Bake, Broil, Convection Broil, Convection Roast, Pizza, Proof, Convection Multi-Rack, Sabbath Mode
Cleaning type	Catalytic clean coating	Catalytic clean coating
Type of grate	Cast iron	Cast iron
Knob material	Metal	Metal
Interior light	1	1
Kitchen timer	Yes	Yes
Sealed burners	Yes	Yes

**Oven Performance**

	Gas	Dual-Fuel
Bake / broil burner power	17,000 / 11,500 BTU	–
Bake / broil element watts	–	1,700 / 2,900 W
Convection element watts	–	2,700 W

**Burner Performance**

	Gas	Dual-Fuel
Total number of cooktop burners	5	5
Total cooktop (NG / LP)	48,000 / 48,000 BTU	48,000 / 48,000 BTU
Power of front left burner (NG / LP)	5,000 / 5,000 BTU	5,000 / 5,000 BTU
Power of back left burner (NG / LP)	10,000 / 10,000 BTU	10,000 / 10,000 BTU
Power of center burner (NG / LP)	18,000 / 18,000 BTU	18,000 / 18,000 BTU
Power of back right burner (NG / LP)	5,000 / 5,000 BTU	5,000 / 5,000 BTU
Power of front right burner (NG / LP)	10,000 / 10,000 BTU	10,000 / 10,000 BTU

**Technical Details**

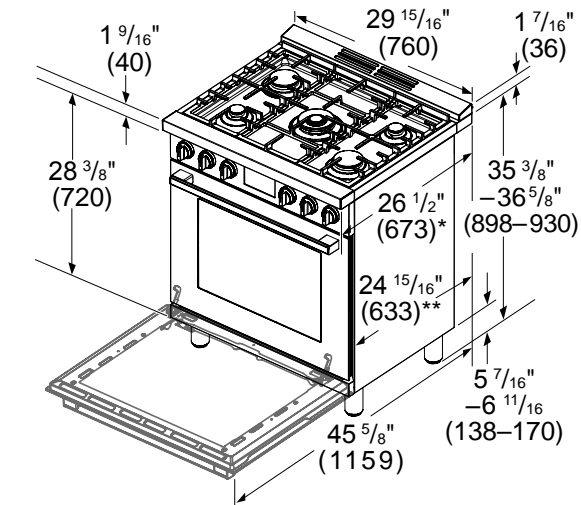
	Gas	Dual-Fuel
Circuit breaker	15 A	20 A
Volts	120 V	208 V / 240 V
Frequency	60 Hz	60 Hz
Plug type / Cord length	US 3-prong, 60" with plug	Fixed connection (no plug)
Energy source	Gas	Mixed electric / gas
Gas type	Natural gas 14.9 mbar (USA) [7" WC]	Natural gas 14.9 mbar (USA) [7" WC]
Alternative gas type	LP 27.4 mbar (USA) [11" WC]	LP 27.4 mbar (USA) [11" WC]

**Dimensions & Weight**

	Gas	Dual-Fuel
Overall appliance dimensions (HxWxD)	36" x 29 15/16" x 24 15/16" (26 1/2" with bull nose)	36" x 29 15/16" x 24 15/16" (26 1/2" with bull nose)
Required cutout size (HxWxD)	36" x 30" x 25"	36" x 30" x 25"
Adjustable range height	35 3/8" Min. – 36 5/8" Max.	35 3/8" Min. – 36 5/8" Max.
Oven cavity size	3.6 cu. ft.	3.9 cu. ft.
Overall oven interior dimensions (HxWxD)	17 3/8" x 24 1/3" x 18 3/8"	17 3/8" x 24 1/3" x 18 3/8"
Usable oven interior dimensions (HxWxD)	17" x 24 3/16" x 17 5/32"	17 5/16" x 22 13/16" x 17 1/8"
Net weight	193 lbs	195 lbs

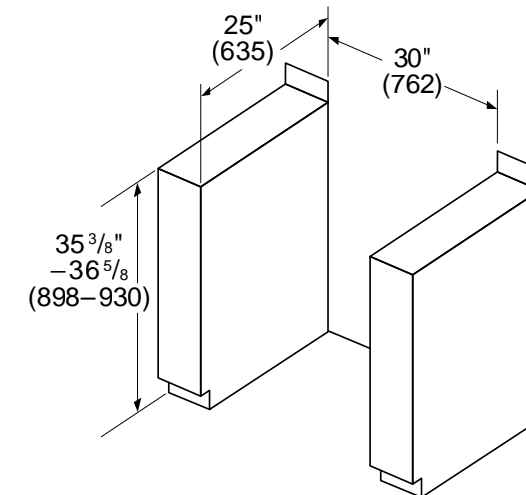
# 800 Series Industrial Style Gas & Dual-Fuel Ranges

**Industrial Style Range Dimensions**



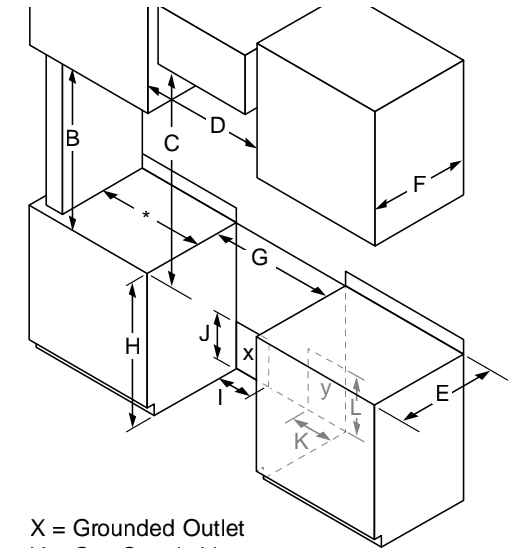
\* Front of Bull Nose to Back Wall Spacer  
 \*\* Front of Oven Door/Control Panel to Back Wall Spacer

**Industrial Style Range Cutout Dimensions**



**Industrial Style Range Installation**

measurements in inches (mm)



X = Grounded Outlet  
 Y = Gas Supply Line

- B minimum 18" (457 mm)
- C minimum 30" (762 mm) clearance between the top of the cooking surface and the bottom of the unprotected wood or metal cabinet
- D 30": minimum 30" (762 mm)  
36": minimum 36" (914 mm)
- E minimum 25" (635 mm)
- F maximum 13" (330 mm)
- G 30": minimum 30" (762 mm)  
36": minimum 36" (914 mm)  
Zero clearance between adjacent combustible construction below the countertop surface and sides of the appliance.
- H 35 6/16 - 36 10/16 (898 - 930 mm)
- I 11" (279 mm)
- J 7" (178 mm)
- K 6" (150 mm)
- L 11" (279 mm)

\* Minimum clearance of >= 12" (305 mm) on one and >= 28" (711 mm) on the other side from cutout to side walls.

**Accessories – Included (Gas and Dual Fuel)**

Use and care manual, installation guide, LP conversion kit, 2 standard racks; Dual Fuel range also includes temperature probe

**Optional Accessories**

<b>HEZ9GR41UC</b> Griddle	<b>HEZ9YZ30UC</b> 30" Low Backguard Stainless Steel	<b>HEZ9ZZ30UC – Stainless Steel</b> <b>HEZ8ZZ30UC – Black Stainless Steel</b> 30" Rear Vent Trim Extension	<b>HEZ9TK30UC – Stainless Steel</b> <b>HEZ8TK30UC – Black Stainless Steel</b> 30" Range Toe Kick
<b>HEZ9GW23UC</b> Wok Ring	<b>HEZ8YZ30UC</b> 30" Low Backguard Black Stainless Steel	<b>HEZ9YZ04UC – Stainless Steel</b> <b>HEZ8YZ04UC – Black Stainless Steel</b> Side Panel Extension Kit	<b>HEZ9LLUC – Stainless Steel</b> <b>HEZ8LLUC – Black Stainless Steel</b> Metal Pedestal Feet, Set of 4



# 800 Series Industrial Style Gas & Dual-Fuel Ranges



**36" Gas 800 Series**  
**HGS8655UC (Stainless Steel)**  
**HGS8645UC (Black Stainless Steel)**

- Commercial-Inspired Design with 6 Burners
- 18,000 BTU Dual Flame Ring Power Burner
- Dishwasher-safe Grates
- QuietClose® Door
- Telescopic Rack

Black  
Stainless Steel



**36" Dual-Fuel 800 Series**  
**HDS8655U (Stainless Steel)**  
**HDS8645U (Black Stainless Steel)**

- Commercial-Inspired Design with 6 Burners
- 18,000 BTU Dual Flame Ring Power Burner
- Dishwasher-safe Grates
- QuietClose® Door
- Telescopic Rack
- Convection Multi-Rack
- Temperature Probe

Stainless Steel

	Gas	Dual-Fuel
	HGS8655UC – Stainless Steel HGS8645UC – Black Stainless Steel	HDS8655U – Stainless Steel HDS8645U – Black Stainless Steel

**General Properties**

	Gas	Dual-Fuel
Cooking modes	Bake, Convection Bake, Broil	Bake, Convection Bake, Broil, Convection Broil, Convection Roast, Pizza, Proof, Convection Multi-Rack, Sabbath Mode
Cleaning type	Catalytic clean coating	Catalytic clean coating
Type of grate	Cast iron	Cast iron
Knob material	Metal	Metal
Interior light	1	1
Kitchen timer	Yes	Yes
Sealed burners	Yes	Yes

**Oven Performance**

	Gas	Dual-Fuel
Bake / broil burner power	17,000 / 14,000 BTU	–
Bake / broil element watts	–	1,700 / 2,900 W
Convection element watts	–	2,500 W

**Burner Performance**

	Gas	Dual-Fuel
Total number of cooktop burners	6	6
Total cooktop (NG / LP)	63,000 / 63,000 BTU	63,000 / 63,000 BTU
Power of front left burner (NG / LP)	18,000 / 18,000 BTU	18,000 / 18,000 BTU
Power of back left burner (NG / LP)	5,000 / 5,000 BTU	5,000 / 5,000 BTU
Power of back center burner (NG / LP)	10,000 / 10,000 BTU	10,000 / 10,000 BTU
Power of front center burner (NG / LP)	10,000 / 10,000 BTU	10,000 / 10,000 BTU
Power of back right burner (NG / LP)	10,000 / 10,000 BTU	10,000 / 10,000 BTU
Power of front right burner (NG / LP)	10,000 / 10,000 BTU	10,000 / 10,000 BTU

**Technical Details**

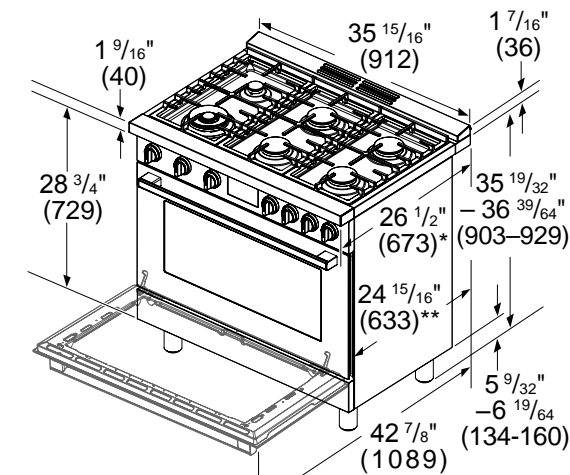
	Gas	Dual-Fuel
Circuit breaker	15 A	20 A
Volts	120 V	208V / 240V
Frequency	60 Hz	60 Hz
Plug type / Cord length	US 3-prong, 60" with plug	Fixed connection (no plug)
Energy source	Gas	Mixed electric / gas
Gas type	Natural gas 14.9 mbar (USA) [7" WC]	Natural gas 14.9 mbar (USA) [7" WC]
Alternative gas type	LP 27.4 mbar (USA) [11" WC]	LP 27.4 mbar (USA) [11" WC]

**Dimensions & Weight**

	Gas	Dual-Fuel
Overall appliance dimensions (HxWxD)	36" x 35 15/16" x 24 15/16" (26 1/2" with bull nose)	36" x 35 15/16" x 24 15/16" (26 1/2" with bull nose)
Required cutout size (HxWxD)	36" x 36" x 25"	36" x 36" x 25"
Adjustable range height	35 19/32" Min. – 36 39/64" Max.	35 19/32" Min. – 36 39/64" Max.
Oven cavity size	3.4 cu. ft.	3.7 cu. ft.
Overall oven interior dimensions (HxWxD)	15" x 28 7/16" x 17 11/16"	15 1/32" x 28 7/16" x 17 9/16"
Usable oven interior dimensions (HxWxD)	15" x 28 11/32" x 17 11/16"	14 9/16" x 26 15/16" x 16 1/8"
Net weight	207 lbs	219 lbs

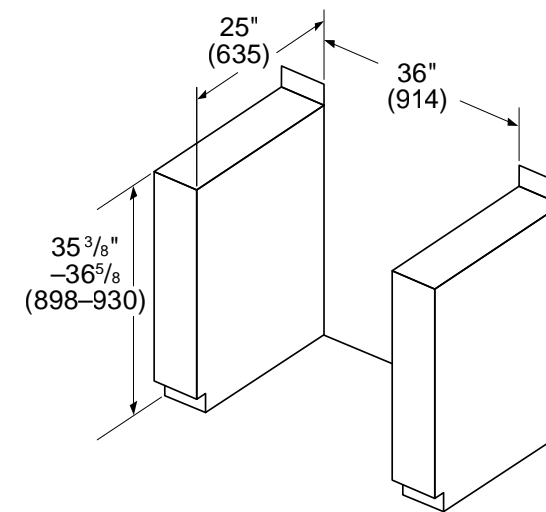
# 800 Series Industrial Style Gas & Dual-Fuel Ranges

**Industrial Style Range Dimensions**



\* Front of Bull Nose to Back Wall Spacer  
 \*\* Front of Oven Door/Control Panel to Back Wall Spacer

**Industrial Style Range Cutout Dimensions**



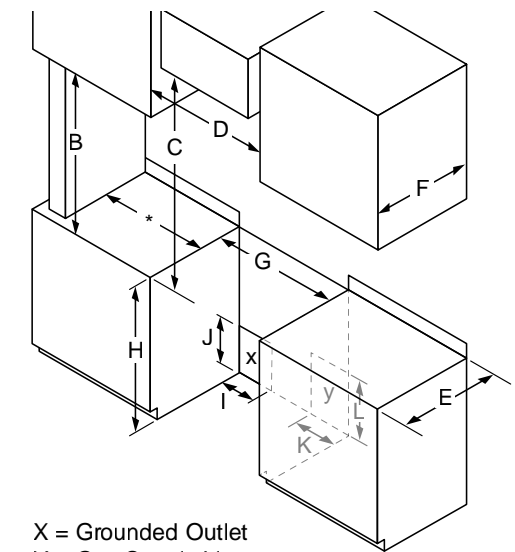
**Accessories – Included (Gas and Dual Fuel)**

Use and care manual, installation guide, LP conversion kit, 1 standard rack, 1 telescopic rack; Dual Fuel range also includes temperature probe

**Optional Accessories**


**Industrial Style Range Installation**

measurements in inches (mm)



X = Grounded Outlet  
 Y = Gas Supply Line

- B minimum 18" (457 mm)
- C minimum 30" (762 mm) clearance between the top of the cooking surface and the bottom of the unprotected wood or metal cabinet
- D 30": minimum 30" (762 mm)  
36": minimum 36" (914 mm)
- E minimum 25" (635 mm)
- F maximum 13" (330 mm)
- G 30": minimum 30" (762 mm)  
36": minimum 36" (914 mm)  
Zero clearance between adjacent combustible construction below the countertop surface and sides of the appliance.
- H 35 6/16 - 36 10/16 (898 - 930 mm)
- I 11" (279 mm)
- J 7" (178 mm)
- K 6" (150 mm)
- L 11" (279 mm)

\* Minimum clearance of >= 12" (305 mm) on one and >= 28" (711 mm) on the other side from cutout to side walls.





# Ventilation

Bosch's inventive ventilation systems keep mealtime fresh by quietly clearing the air of grease, steam, smoke, and odors while you cook. They're beautifully designed to seamlessly integrate into any kitchen with under-the-cabinet, chimney, island, pull-out, and downdraft styles. These easy-to-clean ventilation systems come with automated features to make maintenance and operation a breeze. Ventilation is an important part of the kitchen suite and helps with grease and odor absorption during cooking.



# Benchmark™ Series Ventilation

include these features:



## Sculpted in Steel and Glass

Sculpted in steel and glass, our Benchmark™ Series wall-mounted chimney hoods add style and sophistication to the kitchen. No matter your needs, Bosch has an elegant solution.



## Peaceful Cooking

The Benchmark™ Series glass canopy chimney hood is only 2.0 sones at the lowest setting, so you can enjoy peaceful cooking with no distracting noise.



## Powerful and Effective

Benchmark™ Series glass canopy chimney wall hood meets the ventilation requirements of any Bosch cooktop or range, and can convert to recirculation for installations that are hard to duct or for areas with makeup air restrictions. These highly effective vents quickly clear the air of grease, steam, smoke, and odor.

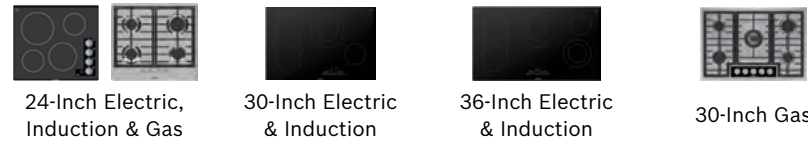


# Ventilation Selection Guide

✓ = Design Match

✓ = Viable Option

## Cooktops



### Chimney Wall Hoods



Model	24-Inch Electric, Induction & Gas	30-Inch Electric & Induction	36-Inch Electric & Induction	30-Inch Gas
24-Inch HCP34E52UC	✓			
30-Inch HCP30E52UC	✓	✓		✓
30-Inch HCP50652UC		✓		✓
30-Inch HCP80641UC		✓		✓
30-Inch HCB50651UC		✓		✓
36-Inch HCG56651UC		✓	✓	✓
36-Inch HCP36E52UC		✓	✓	✓
36-Inch HCP56652UC		✓	✓	✓
36-Inch HCB56651UC		✓	✓	✓
36-Inch HCP86641UC		✓	✓	✓

### Under-Cabinet Range Hoods



Model	24-Inch Electric, Induction & Gas	30-Inch Electric & Induction	36-Inch Electric & Induction	30-Inch Gas
30-Inch DUH30253UC	✓	✓		✓
30-Inch DUH50353UC		✓		✓
30-Inch DUH80553UC		✓		✓
30-Inch DUHP0853UC		✓		✓
36-Inch DUH36253UC		✓	✓	✓
36-Inch DUH56353UC		✓	✓	✓
36-Inch DUH86553UC		✓	✓	✓
36-Inch DUHP6853UC		✓	✓	✓

### Island Hood



Model	24-Inch Electric, Induction & Gas	30-Inch Electric & Induction	36-Inch Electric & Induction	30-Inch Gas
42-Inch HIB82651UC		✓	✓	✓

### Custom Insert Hoods



Model	24-Inch Electric, Induction & Gas	30-Inch Electric & Induction	36-Inch Electric & Induction	30-Inch Gas
24-Inch HUI34253UC	✓			
30-Inch HUI30253UC	✓	✓		✓
30-Inch HUI80553UC	✓	✓		✓
36-Inch HUI36253UC			✓	
36-Inch HUI86653UC			✓	

### Downdrafts



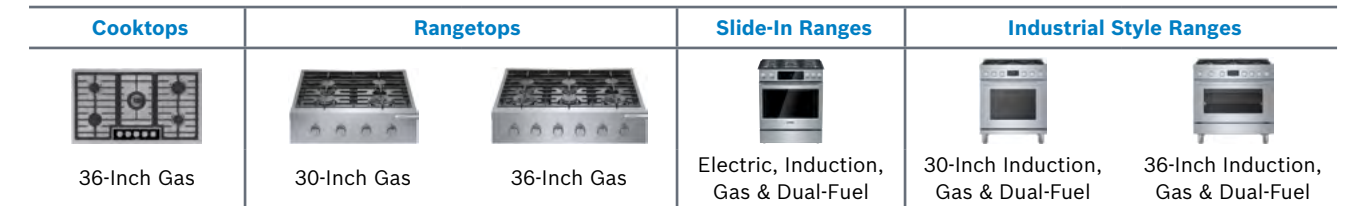
Model	24-Inch Electric, Induction & Gas	30-Inch Electric & Induction	36-Inch Electric & Induction	30-Inch Gas
30-Inch HDD80051UC		✓		✓
36-Inch HDD86051UC			✓	

### Pull-Out Hoods



Model	24-Inch Electric, Induction & Gas	30-Inch Electric & Induction	36-Inch Electric & Induction	30-Inch Gas
24-Inch HUI54452UC	✓			
30-Inch HUI50351UC	✓	✓		✓
36-Inch HUI56551UC		✓	✓	✓

# Ventilation Selection Guide



Model	36-Inch Gas	30-Inch Gas	36-Inch Gas	Electric, Induction, Gas & Dual-Fuel	30-Inch Induction, Gas & Dual-Fuel	36-Inch Induction, Gas & Dual-Fuel
				✓	✓	
		✓		✓	✓	
		✓		✓	✓	
		✓		✓	✓	
	✓	✓	✓	✓	✓	✓
	✓			✓	✓	✓
	✓	✓	✓	✓	✓	✓
	✓	✓	✓	✓	✓	✓
	✓	✓	✓	✓	✓	✓
				✓	✓	
				✓	✓	
		✓		✓	✓	
		✓		✓	✓	
	✓		✓	✓	✓	✓
	✓			✓	✓	✓
	✓	✓	✓	✓	✓	✓
	✓	✓	✓	✓	✓	✓
	✓			✓	✓	
	✓			✓	✓	
	✓	✓	✓	✓	✓	✓
	✓	✓	✓	✓	✓	✓





# Benchmark™ Series 36" Chimney Wall Hood



**36" Benchmark™ Series  
Glass Canopy Chimney Hood  
HCG56651UC**

- 2 Halogen Lights
- Stainless Steel Filters with Metal Latch
- Chimney Extension Accessory for 9–11.5 ft. Ceilings

**36" Glass Canopy Chimney Hood**

Stainless Steel – HCG56651UC

**General Properties**

Operating mode	Convertible: ducted / recirculating
CFM (HVI Certified)	460 HS / 160 WS
Sones (HVI Certified)	11 HS / 2 WS
Number of speed settings	4-stage
Motor location	Integrated motor in hood chimney
Number and type of lights	2 Halogen G-9
Light lumens	360
Light color	3000° K
Total power of the lamps	80 W
Damper included	Yes
Grease filter material	Washable stainless steel
Grease filter type	Multilayer cassette

**Technical Details**

Watts	443 W
Volts	120 V
Frequency	60 Hz
Plug type	No plug

**Dimensions & Weight**

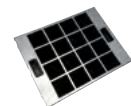
Overall appliance dimensions (width of canopy included) (HxWxD)	27 7/16" x 42 3/8" / 27 7/16" x 46 5/16" / 35 7/8" x 19 11/16"
Height of the chimney	25 7/8" x 40 13/16" / 25 7/8" x 44 3/4"
Minimum distance above cooktop / range cooking surface	Min. 24" electric / 30" gas
Diameter of air duct, top	8"
Net weight	54 lbs

HS=High Speed; WS=Working Speed

**Optional Accessories**



**HCGEXT5UC**  
Chimney Extension for 9–11.5 ft. Ceilings for Use with HCG56651UC



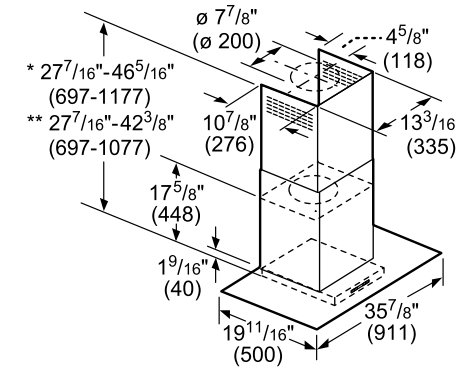
**HCIFILTUC**  
Filter Kit



**HCREC5UC**  
Recirculation Kit for HCG56651UC

# Benchmark™ Series 36" Chimney Wall Hood

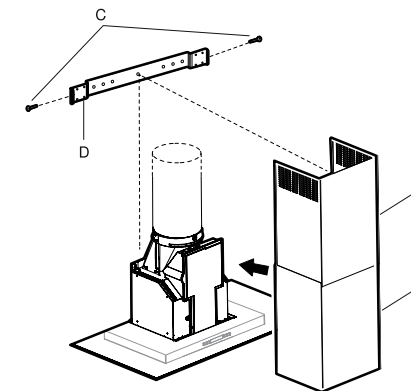
**36" Glass Canopy Chimney Hood**



- \* Recirculating installation
- \*\* Ducted installation

Installation height above cooking surface:  
Min. 24" (610 mm) to Electric  
Min. 30" (762 mm) to Gas

measurements in inches (mm)



- A Upper flue duct
- B Lower flue duct
- C Screws
- D Angle bracket



# 800 Series 30" & 36" Chimney Wall Hoods



**30" 800 Series  
Pyramid Canopy Chimney Hood  
HCP80641UC**

- +2 Halogen Lights
- +Aluminum Mesh Filters
- Chimney Extension Accessory for 9–12 ft. Ceilings
- Black Stainless Steel Helps Guard Against Scratches and Fingerprints



**36" 800 Series  
Pyramid Canopy Chimney Hood  
HCP86641UC**

- +2 Halogen Lights
- +Aluminum Mesh Filters
- Chimney Extension Accessory for 9–12 ft. Ceilings
- Black Stainless Steel Helps Guard Against Scratches and Fingerprints

+ Indicates a step-up feature

	30" Pyramid Canopy 800 Series	36" Pyramid Canopy 800 Series
	Black Stainless Steel – HCP80641UC	Black Stainless Steel – HCP86641UC

**General Properties**

	30" Pyramid Canopy 800 Series	36" Pyramid Canopy 800 Series
Operating mode	Convertible: ducted / recirculating	Convertible: ducted / recirculating
CFM (HVI Certified)	530 HS / 180 WS	530 HS / 180 WS
Sones (HVI Certified)	12 HS / 2 WS	12 HS / 2 WS
Number of speed settings	4-stage	4-stage
Motor location	Integrated motor in hood chimney	Integrated motor in hood chimney
Number and type of lights	2 Halogen	2 Halogen
Light lumens	360	360
Light color	3000° K	3000° K
Total power of the lamps	80 W	80 W
Damper included	Yes	Yes
Grease filter material	Aluminum (dishwasher safe)	Aluminum (dishwasher safe)
Grease filter type	Multilayer cassette	Multilayer cassette

**Technical Details**

	30" Pyramid Canopy 800 Series	36" Pyramid Canopy 800 Series
Watts	452 W	442 W
Volts	120 V	120 V
Frequency	60 Hz	60 Hz
Plug type	No plug	No plug

**Dimensions & Weight**

	30" Pyramid Canopy 800 Series	36" Pyramid Canopy 800 Series
Overall appliance dimensions (width of canopy included) (HxWxD)	24 9/16" – 38 7/8" / 28 1/4" – 42 9/16" x 30" x 19 11/16"	24 9/16" – 38 7/8" / 28 1/4" – 42 9/16" x 36" x 19 11/16"
Height of the chimney	19 9/16" – 33 7/8" / 23 1/4" – 42 9/16"	19 9/16" – 33 7/8" / 23 1/4" – 42 9/16"
Minimum distance above cooktop / range cooking surface	Min. 24" electric / 30" gas	Min. 24" electric / 30" gas
Diameter of air duct, top	8"	8"
Net weight	49 lbs	49 lbs

HS=High Speed; WS=Working Speed

**Optional Accessories**



**HCPEXT4UC**  
Chimney Extension for 9–12 ft. ceilings for use with HCP80641UC & HCP86641UC



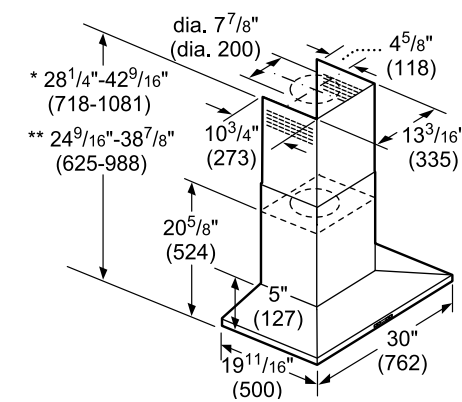
**HCIFILTUC**  
Filter Kit



**HCRC5UC**  
Recirculation Kit

# 800 Series 30" & 36" Chimney Wall Hoods

**30" HCP80641UC  
Pyramid Canopy Chimney Hood**

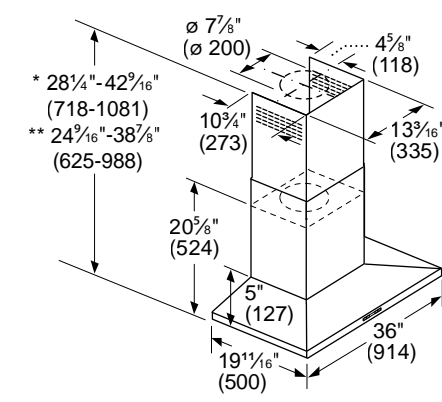


- \* Recirculating installation
- \*\* Installation with exhaust air duct

Installation height above cooking surface:  
Min. 24" (610 mm) for electric  
Min. 30" (762 mm) for gas

measurements in inches (mm)

**36" HCP86641UC  
Pyramid Canopy Chimney Hood**

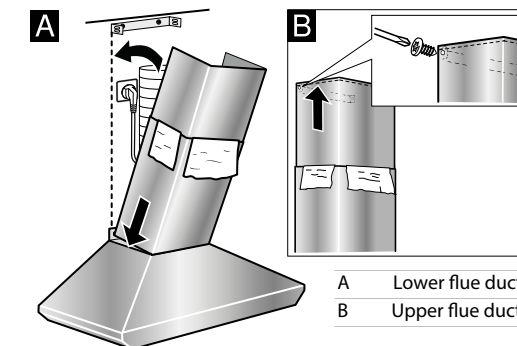


- \* Recirculating installation
- \*\* Ducted installation

Installation height above cooking surface:  
Min. 24" (610 mm) to Electric  
Min. 30" (762 mm) to Gas

measurements in inches (mm)

**30" and 36" Pyramid Canopy Chimney Hoods**



- A Lower flue duct
- B Upper flue duct



# 500 Series 30" & 36" Chimney Wall Hoods



**30" 500 Series**  
**Box Canopy Chimney Hood**  
**HCBS0651UC**

- + 2 Halogen Lights
- + Stainless Steel Filters with Metal Latch
- Chimney Extension Accessory for 9–11.5 ft. Ceilings



**36" 500 Series**  
**Box Canopy Chimney Hood**  
**HCBS6651UC**

- + 2 Halogen Lights
- + Stainless Steel Filters with Metal Latch
- Chimney Extension Accessory for 9–11.5 ft. Ceilings

+ Indicates a step-up feature

	30" Box Canopy 500 Series	36" Box Canopy 500 Series
	Stainless Steel – HCB50651UC	Stainless Steel – HCB56651UC

**General Properties**

	30" Box Canopy 500 Series	36" Box Canopy 500 Series
Operating mode	Convertible: ducted / recirculating	Convertible: ducted / recirculating
CFM (HVI Certified)	490 HS / 170 WS	500 HS / 170 WS
Sones (HVI Certified)	11.5 HS / 2 WS	11.5 HS / 2 WS
Number of speed settings	4-stage	4-stage
Motor location	Integrated motor in hood chimney	Integrated motor in hood chimney
Number and type of lights	2 Halogen	2 Halogen
Light lumens	360	360
Light color	3000° K	3000° K
Total power of the lamps	80 W	80 W
Damper included	Yes	Yes
Grease filter material	Washable stainless steel	Washable stainless steel
Grease filter type	Multilayer cassette	Multilayer cassette

**Technical Details**

Watts	445 W	452 W
Volts	120 V	120 V
Frequency	60 Hz	60 Hz
Plug type	No plug	No plug

**Dimensions & Weight**

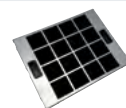
Overall appliance dimensions (width of canopy included) (HxWxD)	27 1/16" x 42 1/8" / 27 1/16" x 45 13/16" / 30" x 19 11/16"	27 1/16" x 42 1/8" / 27 1/16" x 45 13/16" / 36" x 19 11/16"
Height of the chimney	25 1/2" x 40 9/16" / 25 1/2" x 44 1/4"	25 1/2" x 40 9/16" / 25 1/2" x 44 1/4"
Minimum distance above cooktop / range cooking surface	Min. 24" electric / 30" gas	Min. 24" electric / 30" gas
Diameter of air duct, top	8"	8"
Net weight	54 lbs	54 lbs

HS=High Speed; WS=Working Speed

**Optional Accessories**



**HCBEXT5UC**  
Chimney Extension for 9–11.5 ft. ceilings for use with HCB50651UC and HCB56651UC



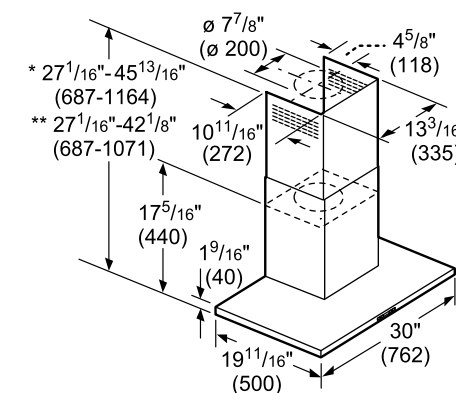
**HCIFILTUC**  
Filter Kit



**HCRC5UC**  
Recirculation Kit

# 500 Series 30" & 36" Chimney Wall Hoods

**30" HCB50651UC**  
**Box Canopy Chimney Hood**

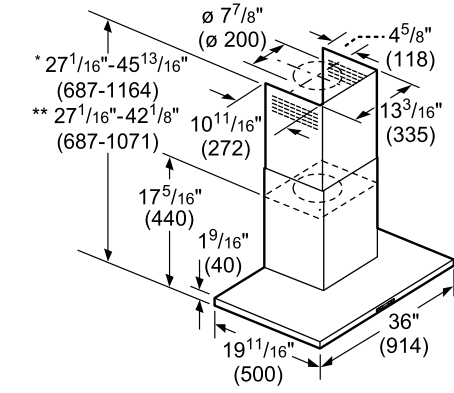


\* Recirculating installation  
\*\* Ducted installation

Installation height above cooking surface:  
Min. 24" (610 mm) to Electric  
Min. 30" (762 mm) to Gas

measurements in inches (mm)

**36" HCB56651UC**  
**Box Canopy Chimney Hood**

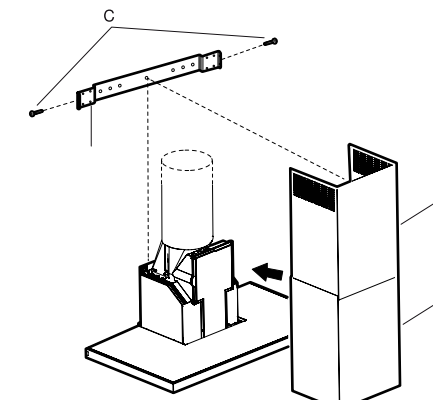


\* Recirculating installation  
\*\* Ducted installation

Installation height above cooking surface:  
Min. 24" (610 mm) to Electric  
Min. 30" (762 mm) to Gas

measurements in inches (mm)

**30" and 36" Box Canopy Chimney Hoods**



- A Upper flue duct
- B Lower flue duct
- C Screws
- D Angle bracket



# 500 / 300 Series 30" & 24" Chimney Wall Hoods



**30" 500 Series**  
Pyramid Canopy Chimney Hood  
HCP50652UC

- +2 LED Lights Home Connect
- +Home Connect®
- Stainless Steel Filters with Latch
- Chimney Extension Accessory for 9–12 ft. Ceilings



**30" 300 Series**  
Pyramid Canopy Chimney Hood  
HCP30E52UC

- ENERGY STAR® Certified
- 2 LED Lights
- Aluminum Mesh Filters
- Chimney Extension Accessory for 9–12 ft. Ceilings



**24" 300 Series**  
Pyramid Canopy Chimney Hood  
HCP34E52UC

- ENERGY STAR® Certified
- 2 LED Lights
- Aluminum Mesh Filters
- Chimney Extension Accessory for 9–12 ft. Ceilings

+ Indicates a step-up feature

	30" Pyramid Canopy	30" Pyramid Canopy	24" Pyramid Canopy
	Stainless Steel – HCP50652UC	Stainless Steel – HCP30E52UC	Stainless Steel – HCP34E52UC

### General Properties

Operating mode	Convertible: ducted / recirculating	Convertible: ducted / recirculating	Convertible: ducted / recirculating
CFM (HVI Certified)	430 HS / 180 WS	310 HS / 120 WS	310 HS / 120 WS
Sones (HVI Certified)	8.5 HS / 2 WS	5.5 HS / 1.3 WS	5.5 HS / 1.3 WS
Number of speed settings	4-stage	3-stage	3-stage
Motor location	Integrated motor in hood chimney	Integrated motor in hood chimney	Integrated motor in hood chimney
Number and type of lights	2 LED	2 LED	2 LED
Light lumens	100 – 150	500	500
Light color	3500 – 4000° K	2700 – 3000° K	2700 – 3000° K
Total power of the lamps	6 W	13 W	13 W
Damper included	Yes	Yes	Yes
Grease filter material	Washable Stainless Steel	Aluminum (dishwasher safe)	Aluminum (dishwasher safe)
Grease filter type	Multilayer cassette	Multilayer cassette	Multilayer cassette
Home Connect® (Wi-Fi enabled)	Yes	No	No

### Technical Details

Watts	356 W	161 W	161 W
Volts	120 V	120 V	120 V
Frequency	60 Hz	60 Hz	60 Hz
Plug type	No plug	No plug	No plug

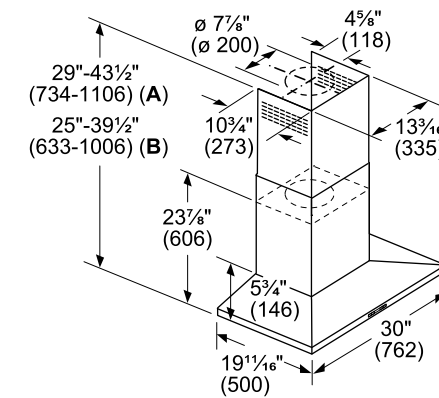
### Dimensions & Weight

Overall appliance dimensions (width of canopy included) (HxWxD)	24 9/16" – 38 7/8" / 28 1/4" – 42 9/16" x 30" x 19 11/16"	24 9/16" – 38 7/8" / 28 1/4" – 42 9/16" x 30" x 19 11/16"	24 9/16" – 38 7/8" / 28 1/4" – 42 9/16" x 24" x 19 11/16"
Height of the chimney	19 9/16" – 33 7/8" / 23 1/4" – 42 9/16"	19 9/16" – 33 7/8" / 23 1/4" – 42 9/16"	19 9/16" – 33 7/8" / 23 1/4" – 42 9/16"
Minimum distance above cooktop / range cooking surface	Min. 30" electric / 30" gas	Min. 24" electric / 27" gas	Min. 24" electric / 27" gas
Diameter of air duct, top	8"	8"	8"
Net weight	49 lbs	49 lbs	49 lbs

HS=High Speed; WS=Working Speed

# 500 / 300 Series 30" & 24" Chimney Wall Hoods

## 30" HCP50652UC Pyramid Canopy Chimney Hood

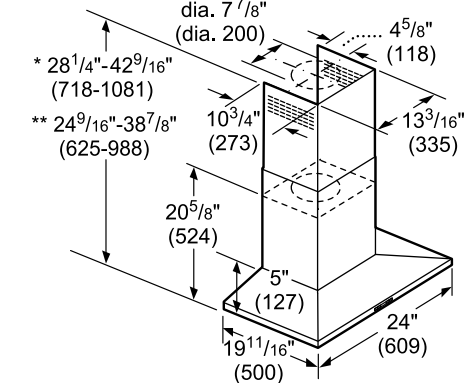


A: Recirculating installation  
B: Ducted installation

Installation height above cooking surface:  
Min. 30" (762 mm) to Electric  
Min. 30" (762 mm) to Gas

measurements in inches (mm)

## 24" HCP34E52UC Pyramid Canopy Chimney Hood

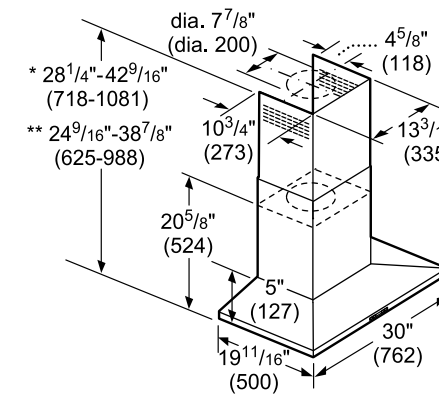


\* Recirculating installation  
\*\* Installation with exhaust air duct

Installation height above cooking surface:  
Min. 24" (610 mm) for electric  
Min. 27" (686 mm) for gas

measurements in inches (mm)

## 30" HCP30E52UC Pyramid Canopy Chimney Hood

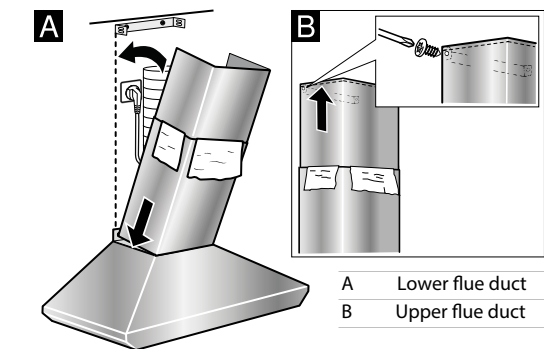


\* Recirculating installation  
\*\* Installation with exhaust air duct

Installation height above cooking surface:  
Min. 24" (610 mm) for electric  
Min. 27" (686 mm) for gas

measurements in inches (mm)

## 30" and 24" Pyramid Canopy Chimney Hoods

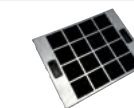


A Lower flue duct  
B Upper flue duct

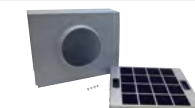
### Optional Accessories



**HCPEXT5UC**  
Chimney Extension for 9–12 ft. ceilings



**HCIFILTUC**  
Filter Kit



**HCREC5UC**  
Recirculation Kit



# 500 / 300 Series 36" Chimney Wall Hoods



**36" 500 Series**  
**Pyramid Canopy Chimney Hood**  
**HCP56652UC**

- +2 LED Lights
- +Home Connect®
- Stainless Steel Filters with Latch
- Chimney Extension Accessory for 9–12 ft. Ceilings



**36" 300 Series**  
**Pyramid Canopy Chimney Hood**  
**HCP36E52UC**

- ENERGY STAR® Certified
- 2 LED Lights
- Aluminum Mesh Filters
- Chimney Extension Accessory for 9–12 ft. Ceilings



+ Indicates a step-up feature

	36" Pyramid Canopy 500 Series	36" Pyramid Canopy 300 Series
	Stainless Steel – HCP56652UC	Stainless Steel – HCP36E52UC

**General Properties**

	36" Pyramid Canopy 500 Series	36" Pyramid Canopy 300 Series
Operating mode	Convertible: ducted / recirculating	Convertible: ducted / recirculating
CFM (HVI Certified)	430 HS / 180 WS	310 HS / 120 WS
Sones (HVI Certified)	8.5 HS / 2 WS	5.5 HS / 1.3 WS
Number of speed settings	4-stage	3-stage
Motor location	Integrated motor in hood chimney	Integrated motor in hood chimney
Number and type of lights	2 LED	2 LED
Light lumens	100 – 150	500
Light color	3500 – 4000° K	3000° K
Total power of the lamps	3 W	13 W
Damper included	Yes	Yes
Grease filter material	Washable Stainless Steel	Aluminum (dishwasher safe)
Grease filter type	Multilayer cassette	Multilayer cassette
Home Connect® (Wi-Fi enabled)	Yes	No

**Technical Details**

Watts	358 W	161 W
Volts	120 V	120 V
Frequency	60 Hz	60 Hz
Plug type	No plug	No plug

**Dimensions & Weight**

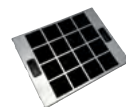
Overall appliance dimensions (width of canopy included) (HxWxD)	25" – 39 1/2" / 29" – 43 1/2" x 36" x 19 11/16"	24 9/16" – 38 7/8" / 28 1/4" – 42 9/16" x 36" x 19 11/16"
Height of the chimney	19 9/16" – 33 7/8" / 23 1/4" – 42 9/16"	19 9/16" – 33 7/8" / 23 1/4" – 42 9/16"
Minimum distance above cooktop / range cooking surface	Min. 30" electric / 30" gas	Min. 24" electric / 27" gas
Diameter of air duct, top	8"	8"
Net weight	53 lbs	53 lbs

HS=High Speed; WS=Working Speed

**Optional Accessories**



**HCPEXT5UC**  
Chimney Extension for 9–12 ft. ceilings for use with HCP56652UC and HCP36E52UC



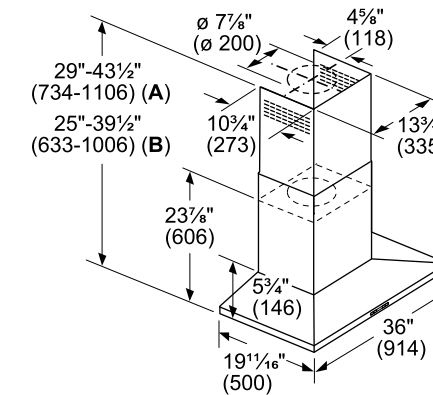
**HCIFILTUC**  
Filter Kit



**HCREC5UC**  
Recirculation Kit

# 500 / 300 Series 36" Chimney Wall Hoods

**36" HCP56652UC**  
**Pyramid Canopy Chimney Hood**

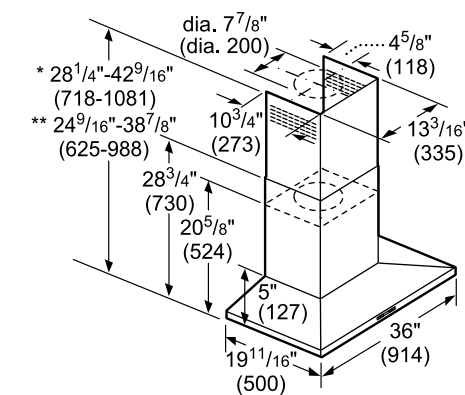


**A:** Recirculating installation  
**B:** Ducted installation

Installation height above cooking surface:  
Min. 30" (762 mm) to Electric  
Min. 30" (762 mm) to Gas

measurements in inches (mm)

**36" HCP36E52UC**  
**Pyramid Canopy Chimney Hood**

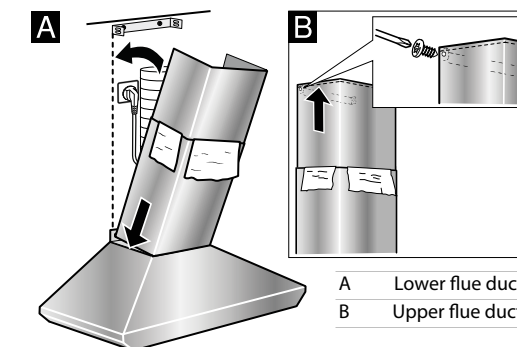


\* Recirculating installation  
\*\* Installation with exhaust air duct

Installation height above cooking surface:  
Min. 24" (610 mm) for electric  
Min. 27" (686 mm) for gas

measurements in inches (mm)

**36" Pyramid Canopy Chimney Hood**



**A** Lower flue duct  
**B** Upper flue duct



# 800 Series 42" Island Hood



**42" 800 Series  
Box Canopy Island Hood  
HIB82651UC**

- 4 Halogen Lights
- Stainless Steel Filters with Metal Latch
- Chimney Extension Accessory for 9–11.5 ft. Ceilings

**42" Box Canopy Island Hood**

Stainless Steel – HIB82651UC

**General Properties**

Operating mode	Convertible: ducted / recirculating
CFM (HVI Certified)	520 HS / 180 WS
Sones (HVI Certified)	12.5 HS / 2 WS
Number of speed settings	4-stage
Motor location	Integrated motor in hood chimney
Number and type of lights	4 Halogen
Light lumens	360
Light color	3000° K
Total power of the lamps	80 W
Damper included	Yes
Grease filter material	Washable stainless steel
Grease filter type	Multilayer cassette

**Technical Details**

Watts	451 W
Volts	120 V
Frequency	60 Hz
Plug type	No plug

**Dimensions & Weight**

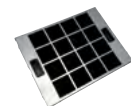
Overall appliance dimensions (width of canopy included) (HxWxD)	29 13/16" – 45 5/16" / 29 13/16" – 50 5/16" x 42 1/16" x 27"
Height of the chimney	27 7/16" – 42 7/8" / 27 7/16" – 47 7/8"
Minimum distance above cooktop / range cooking surface	Min. 24" electric / 30" gas
Diameter of air duct, top	8"
Net weight	110 lbs

HS=High Speed; WS=Working Speed

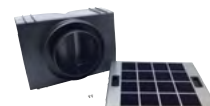
**Optional Accessories**



**HCIEXT5UC**  
Chimney Extension for 9–11.5 ft. ceilings for use with HIB82651UC



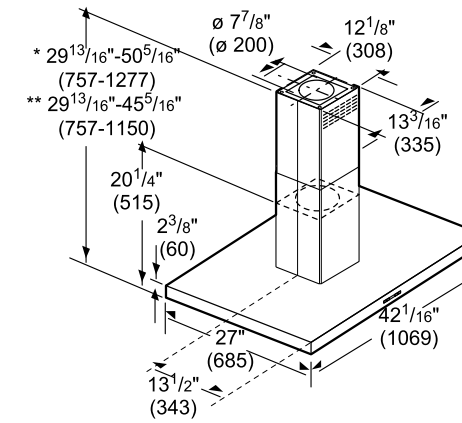
**HICIFILTUC**  
Filter Kit



**HIRECSUC**  
Recirculation Kit for HIB82651UC

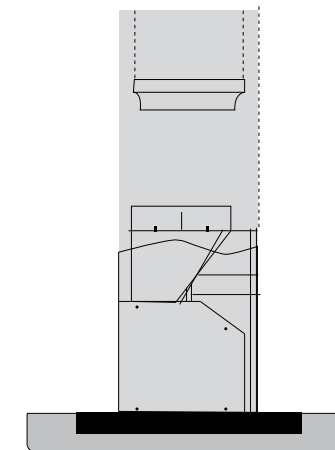
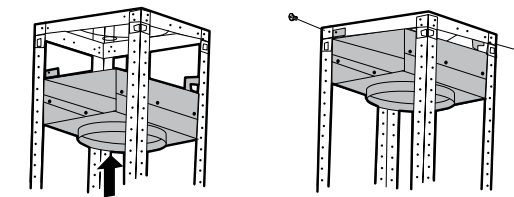
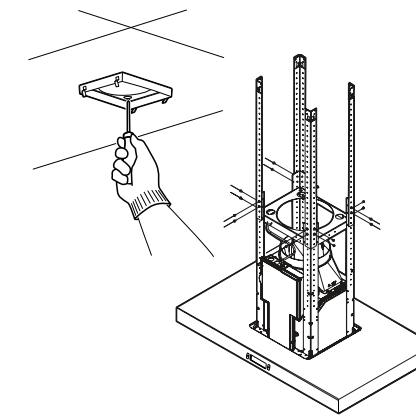
# 800 Series 42" Island Hood

**42" Box Canopy Island Hood**



- \* Recirculating installation
- \*\* Ducted installation

measurements in inches (mm)



# 500 Series Pull-Out Hoods



**24" 500 Series Pull-Out Hood HUI54452UC**

- Electronic Control
- 2 LED Lights
- Convertible: Ducted / Recirculating



**30" 500 Series Pull-Out Hood HUI50351UC**

- Electronic Control
- 2 Halogen Lights
- Convertible: Ducted / Recirculating



**36" 500 Series Pull-Out Hood HUI56551UC**

- Electronic Control
- 2 Halogen Lights
- Convertible: Ducted / Recirculating

	24"	30"	36"
	Stainless Steel – HUI54452UC	Stainless Steel – HUI50351UC	Stainless Steel – HUI56551UC

**General Properties**

Operating mode	Convertible: ducted / recirculating	Convertible: ducted / recirculating	Convertible: ducted / recirculating
CFM (AHAM)	290 HS / 110 WS	231 HS / 117 WS	470 HS / 200 WS
Sones (AHAM)	6 HS / 0.6 WS	3 HS / 1 WS	9.5 HS / 2.5 WS
Number of speed settings	4-stage	3-stage	3-stage
Motor location	Integrated motor in hood body	Integrated motor in hood body	Integrated motor in hood body
Number and type of lights	2 LED	2 Halogen (20 W)	2 Halogen (20 W)
Light lumens	235	320	320
Light color	3000° K	3000° K	3000° K
Total power of the lamps	4.2 W	40 W	40 W
Damper included	Yes	Yes	Yes
Grease filter material	Aluminum (dishwasher safe)	Aluminum (dishwasher safe)	Aluminum (dishwasher safe)
Grease filter type	Multilayer cassette	Multilayer cassette	Multilayer cassette

**Technical Details**

Watts	199 W	–	–
Volts	120 V	120 V	120 V
Frequency	60 Hz	60 Hz	60 Hz
Plug type	120V-3 Prong	No plug	No plug
Power cord length	45 1/2"	50"	50"

**Dimensions & Weight**

Overall appliance dimensions (width of canopy included) (HxWxD)	11 13/16" x 23 9/16" x 11 13/16"	11 3/4" x 29 7/8" x 11 13/16"	11 9/16" x 35 7/8" x 11 13/16"
Minimum distance above cooktop / range cooking surface	Min. 24" electric / 29 1/2" gas	Min. 24" electric / 29 1/2" gas	Min. 24" electric / 29 1/2" gas
Diameter of air duct, top	6"	6"	6"
Diameter of air duct, back	N/A	6"	6"
Net weight	24 lbs	26 lbs	32.5 lbs

HS=High Speed; WS=Working Speed

**Optional Accessories**



**HVREC5UC**  
Recirculation Kit for use with HUI54452UC



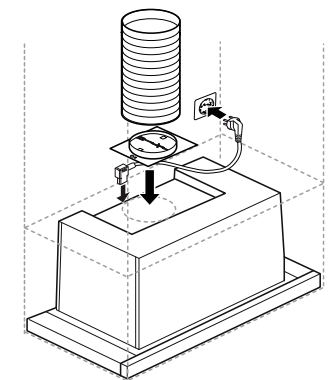
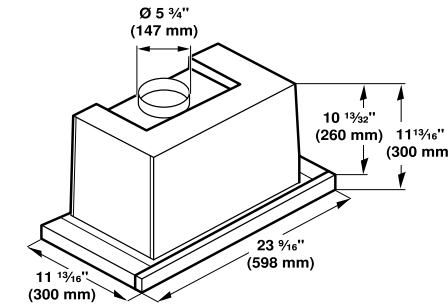
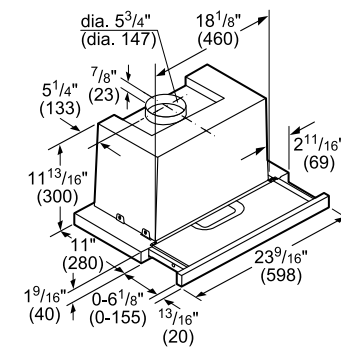
**HUIF06UC**  
Recirculation Kit for use with HUI50351UC and HUI56551UC



**HUIRED56UC**  
CFM Reducer Kit for use with HUI56551UC; Reduces CFM to under 300

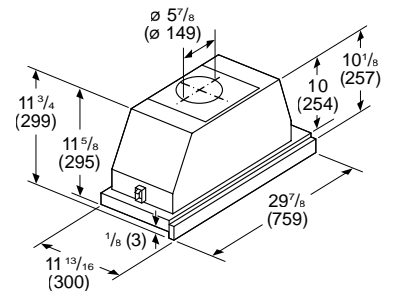
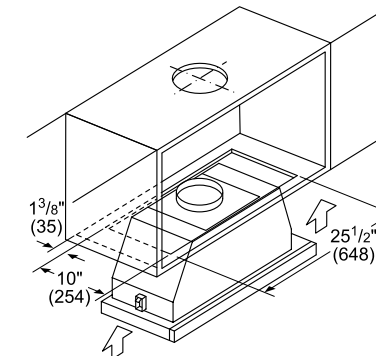
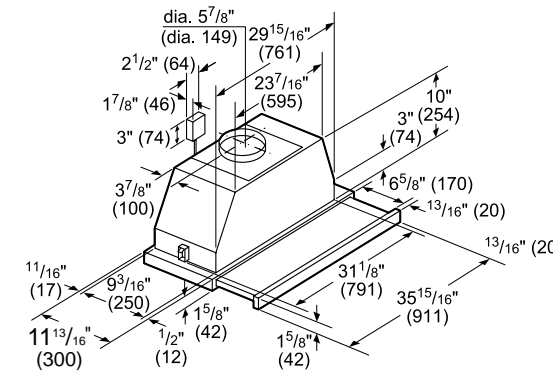
# 500 Series Pull-Out Hoods

**24" HUI54452UC Pull-Out Hood**



Installation height above cooking surface:  
24"-34" (610-864) to Electric  
29 1/2"-34" (750-864) to Gas.  
measurements in inches (mm)

**30" HUI50351UC Pull-Out Hood**

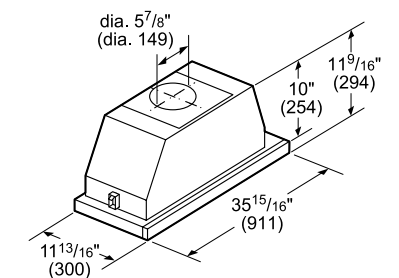
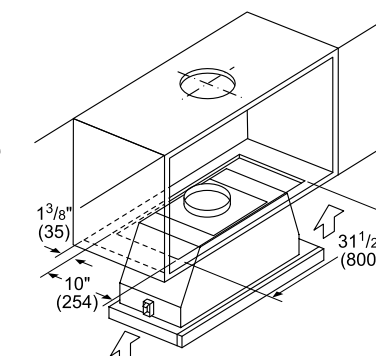
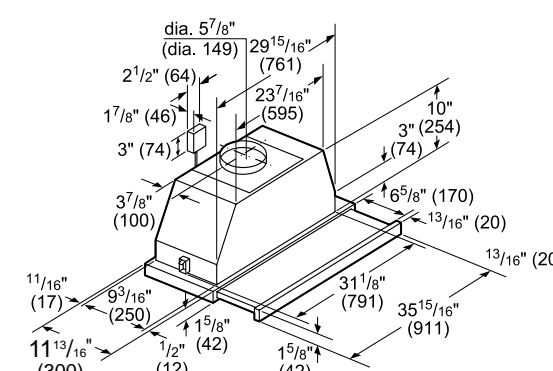


Installation height above cooking surface:  
24"-34" (610-864) to Electric  
29 1/2"-34" (750-864) to Gas  
measurements in inches (mm)

measurements in inches (mm)

Measurements in inches (mm)

**36" HUI56551UC Pull-Out Hood**



Installation height above cooking surface:  
24"-34" (610-864) to Electric  
29 1/2"-34" (750-864) to Gas  
measurements in inches (mm)

measurements in inches (mm)

measurements in inches (mm)

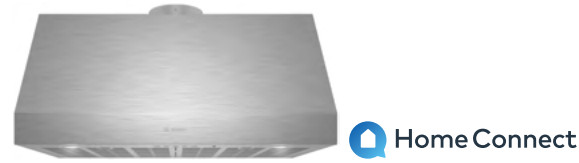


# Benchmark Series 30" & 36" Under-Cabinet Wall Hoods



**30" Benchmark Series**  
Under-Cabinet Wall Hood DUHP0853UC

- LED Lights
- Stainless Steel Covered Aluminum Mesh Filters
- Professional Design



**36" Benchmark Series**  
Under-Cabinet Wall Hood DUHP6853UC

- LED Lights
- Stainless Steel Covered Aluminum Mesh Filters
- Professional Design

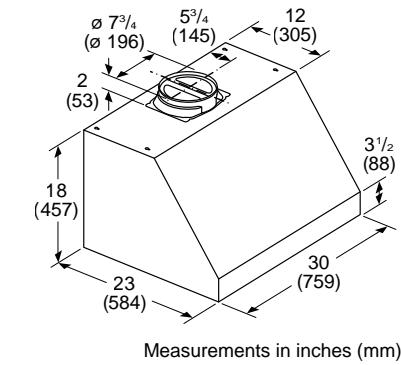
+ Indicates a step-up feature

	30" Benchmark Series	36" Benchmark Series
	Stainless Steel – DUHP0853UC	Stainless Steel – DUHP6853UC
<b>General Properties</b>		
Operating mode	Convertible: ducted / recirculating	Convertible: ducted / recirculating
CFM (HVI Certified)		
Vertical 7" Discharge	–	–
Vertical 8" Discharge	810 HS / 230 WS	810 HS / 230 WS
Vertical 3 1/4" x 10" Discharge	–	–
Horizontal 8" Discharge	–	–
Horizontal 3 1/4" x 10" Discharge	–	–
Sones (HVI Certified)		
Vertical 7" Discharge	–	–
Vertical 8" Discharge	7.5 HS / 1.2 WS	7.5 HS / 1.2 WS
Vertical 3 1/4" x 10" Discharge	–	–
Horizontal 8" Discharge	–	–
Horizontal 3 1/4" x 10" Discharge	–	–
Number of speed settings	4-stage	4-stage
Motor location	Integrated motor in hood body	Integrated motor in hood body
Number and type of lights	2 LED	2 LED
Light lumens	300	300
Light color	3500° K	3500° K
Total power of the lamps	3.2 W	3.2 W
Damper included	Yes	Yes
Grease filter material	Stainless steel covered aluminum mesh	Stainless steel covered aluminum mesh
Grease filter type	Multilayer cassette	Multilayer cassette
Home Connect (Wi-Fi Enabled)	Yes	Yes
<b>Technical Details</b>		
Watts	550 W	550 W
Volts	120 V	120 V
Frequency	60 Hz	60 Hz
Plug type	No plug	No plug
<b>Dimensions &amp; Weight</b>		
Overall appliance dimensions (width of canopy included) (HxWxD)	18" x 30" x 23"	18" x 36" x 23"
Minimum distance above cooktop / range cooking surface	Min. 24" electric / 30" gas	Min. 24" electric / 30" gas
Diameter of air duct, top	8"	8"
Diameter of air duct, back	N/A	N/A
Net weight	47 lbs	51 lbs

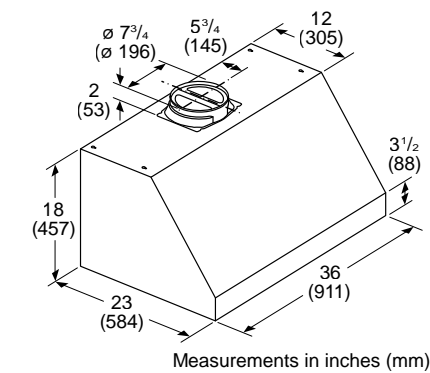
HS=High Speed; WS=Working Speed

# Benchmark Series 30" & 36" Under-Cabinet Wall Hoods

**30" DUH50353UC Under-Cabinet Hood**



**36" DUH56353UC Under-Cabinet Hoods**



**Optional Accessories for Benchmark Series Under-Cabinet Hoods**

**HEZVEUD302**  
Replacement Charcoal Filter – 2 Pack  
(for 30" Under-cabinet Wall Hood)

**HEZVEUD362**  
Replacement Charcoal Filter – 2 Pack  
(for 36" Under-cabinet Wall Hood)





# 800 / 500 / 300 Series 30" Under-Cabinet Wall Hoods



Home Connect

## 30" 800 Series Under-Cabinet Wall Hood DUH80553UC

- LED Lights
- + Stainless Steel Covered Aluminum Mesh Filters
- + Professional Design
- + Four Power Levels



## 30" 500 Series Under-Cabinet Wall Hood DUH50353UC

- LED Lights
- Aluminum Mesh Filters
- Three Power Levels



## 30" 300 Series Under-Cabinet Wall Hood DUH30253UC

- LED Lights
- Aluminum Mesh Filters
- Three Power Levels

+ Indicates a step-up feature

	30" 800 Series	30" 500 Series	30" 300 Series
	Stainless Steel – DUH80553UC	Stainless Steel – DUH50353UC	Stainless Steel – DUH30253UC

### General Properties

Operating mode	Convertible: ducted / recirculating	Convertible: ducted / recirculating	Convertible: ducted / recirculating
CFM (HVI Certified)			
Vertical 7" Discharge	–	260 HS / 140 WS	260 HS / 140 WS
Vertical 8" Discharge	640 HS / 140 WS	–	–
Vertical 3 1/4" x 10" Discharge	–	240 HS / 130 WS	240 HS / 130 WS
Horizontal 8" Discharge	–	–	–
Horizontal 3 1/4" x 10" Discharge	–	240 HS / 110 WS	240 HS / 110 WS
Sones (HVI Certified)			
Vertical 7" Discharge	–	5.5 HS / 2 WS	5.5 HS / 2 WS
Vertical 8" Discharge	11.5 HS / 0.3 WS	–	–
Vertical 3 1/4" x 10" Discharge	–	6 HS / 1.5 WS	6 HS / 1.5 WS
Horizontal 8" Discharge	–	–	–
Horizontal 3 1/4" x 10" Discharge	–	6 HS / 1.5 WS	6 HS / 1.5 WS
Number of speed settings	4-stage	3-stage	3-stage
Motor location	Integrated motor in hood body	Integrated motor in hood body	Integrated motor in hood body
Number and type of lights	2 LED	2 LED	2 LED
Light lumens	300	300	250
Light color	3500° K	3500° K	3500° K
Total power of the lamps	3.2 W	3.2 W	2.8 W
Damper included	Yes	Yes	Yes
Grease filter material	Stainless steel covered aluminum mesh	Aluminum	Aluminum
Grease filter type	Multilayer cassette	Multilayer cassette	Multilayer cassette
Home Connect (Wi-Fi enabled)	Yes	–	–

### Technical Details

Watts	480 W	90 W	80 W
Volts	120 V	120 V	120 V
Frequency	60 Hz	60 Hz	60 Hz
Plug type	No plug	No plug	No plug

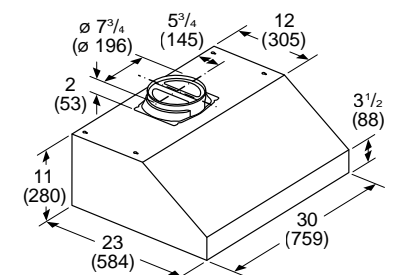
### Dimensions & Weight

Overall appliance dimensions (width of canopy included) (HxWxD)	11" x 30" x 23"	5" x 30" x 21"	5" x 30" x 21"
Minimum distance above cooktop / range cooking surface	Min. 24" electric / 30" gas	Min. 24" electric / 30" gas	Min. 24" electric / 30" gas
Diameter of air duct, top	8"	7"	7"
Diameter of air duct, back	N/A	3 1/4" x 10" rectangular	3 1/4" x 10" rectangular
Net weight	34 lbs	23 lbs	21 lbs

HS=High Speed; WS=Working Speed

# 800 / 500 / 300 Series 30" Under-Cabinet Wall Hoods

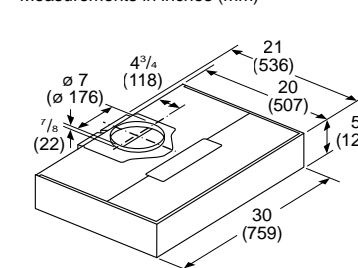
## 800 Series 30" DUH80553UC Under-Cabinet Hood



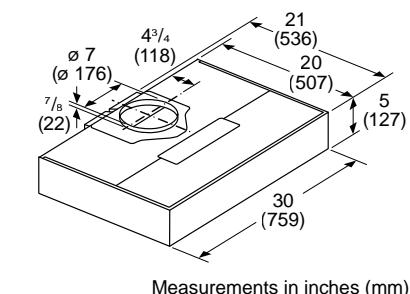
Measurements in inches (mm)

## 500 Series 30" DUH50353UC Under-Cabinet Hoods

Measurements in inches (mm)



## 300 Series 30" DUH30253UC Under-Cabinet Hoods



Measurements in inches (mm)

### Optional Accessories for 30" 800 Series Under-Cabinet Hood

HEZVEUD302  
Replacement Charcoal Filter – 2 Pack

### Optional Accessories for 30" 500 and 300 Series Under-Cabinet Hoods

HEZVEUD301  
Replacement Charcoal Filter – 2 Pack



# 800 / 500 / 300 Series 36" Under-Cabinet Wall Hoods



**36" 800 Series Under-Cabinet Wall Hood DUH86553UC** HomeConnect

- LED Lights
- + Stainless Steel Covered Aluminum Mesh Filters
- + Professional Design
- Four Power Levels



**36" 500 Series Under-Cabinet Wall Hood DUH56353UC**

- LED Lights
- Aluminum Mesh Filters
- Three Power Levels



**36" 300 Series Under-Cabinet Wall Hood DUH36253UC**

- LED Lights
- Aluminum Mesh Filters
- Three Power Levels

+ Indicates a step-up feature

	36" 800 Series	36" 500 Series	36" 300 Series
	Stainless Steel – DUH86553UC	Stainless Steel – DUH56353UC	Stainless Steel – DUH36253UC

### General Properties

Operating mode	Convertible: ducted / recirculating	Convertible: ducted / recirculating	Convertible: ducted / recirculating
CFM (HVI Certified)			
Vertical 7" Discharge	–	260 HS / 140 WS	260 HS / 140 WS
Vertical 8" Discharge	640 HS / 140 WS	–	–
Vertical 3 1/4" x 10" Discharge	–	240 HS / 130 WS	240 HS / 130 WS
Horizontal 8" Discharge	–	–	–
Horizontal 3 1/4" x 10" Discharge	–	240 HS / 110 WS	240 HS / 110 WS
Sones (HVI Certified)			
Vertical 7" Discharge	–	5.5 HS / 2 WS	5.5 HS / 2 WS
Vertical 8" Discharge	11.5 HS / 0.3 WS	–	–
Vertical 3 1/4" x 10" Discharge	–	6 HS / 1.5 WS	6 HS / 1.5 WS
Horizontal 8" Discharge	–	–	–
Horizontal 3 1/4" x 10" Discharge	–	6 HS / 1.5 WS	6 HS / 1.5 WS
Number of speed settings	4-stage	3-stage	3-stage
Motor location	Integrated motor in hood body	Integrated motor in hood body	Integrated motor in hood body
Number and type of lights	2 LED	2 LED	2 LED
Light lumens	300	300	250
Light color	3500° K	3500° K	3500° K
Total power of the lamps	3.2 W	3.2 W	2.8 W
Damper included	Yes	Yes	Yes
Grease filter material	Stainless steel covered aluminum mesh	Aluminum	Aluminum
Grease filter type	Multilayer cassette	Multilayer cassette	Multilayer cassette
Home Connect (Wi-Fi enabled)	Yes	–	–

### Technical Details

Watts	480 W	90 W	80 W
Volts	120 V	120 V	120 V
Frequency	60 Hz	60 Hz	60 Hz
Plug type	No plug	No plug	No plug

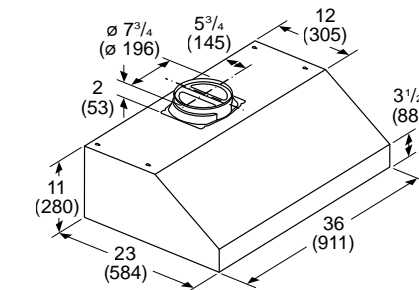
### Dimensions & Weight

Overall appliance dimensions (width of canopy included) (HxWxD)	11" x 36" x 23"	5" x 36" x 21"	5" x 36" x 21"
Minimum distance above cooktop / range cooking surface	Min. 24" electric / 30" gas	Min. 24" electric / 30" gas	Min. 24" electric / 30" gas
Diameter of air duct, top	8"	7"	7"
Diameter of air duct, back	N/A	3 1/4" x 10" rectangular	3 1/4" x 10" rectangular
Net weight	38 lbs	26 lbs	24 lbs

HS=High Speed; WS=Working Speed

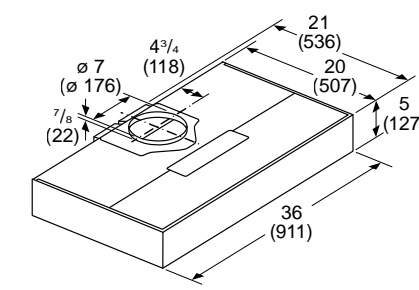
# 800 / 500 / 300 Series 36" Under-Cabinet Wall Hoods

**800 Series 36" DUH86553UC Under-Cabinet Hood**



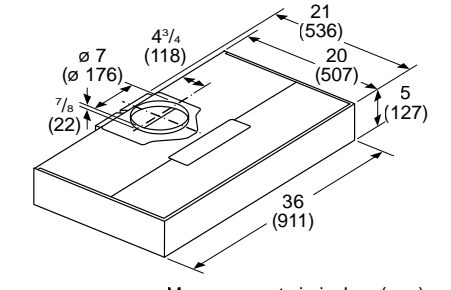
Measurements in inches (mm)

**500 Series 36" DUH56353UC Under-Cabinet Hood**



Measurements in inches (mm)

**300 Series 36" DUH36253UC Under-Cabinet Hood**



Measurements in inches (mm)

### Optional Accessories for 36" 800 Series Under-Cabinet Hood

**HEZVEUD362**  
Replacement Charcoal Filter – 2 Pack

### Optional Accessories for 36" 500 and 300 Series Under-Cabinet Hoods

**HEZVEUD361**  
Replacement Charcoal Filter – 2 Pack



# 800 / 300 Series 36" Custom Insert Hoods



**800 Series**  
**36" – HUI86553UC**  
**Custom Insert Hoods**

- 4 Speed Levels
- 2 LED Lights
- Stainless Steel Filters with Latch



**300 Series**  
**36" – HUI36253UC**  
**Custom Insert Hoods**

- 4 Speed Levels
- 2 LED Lights
- Stainless Steel Filters with Latch



+ Indicates a step-up feature

800 Series	300 Series
36" – HUI86553UC	36" – HUI36253UC

**General Properties**

	800 Series	300 Series
Operating mode	Ducted or recirculating	Ducted or recirculating
CFM (HVI Certified)	580 BS / 380 HS / 180 WS	280 BS / 180 HS / 100 WS
Sones (HVI Certified)	9 BS / 5 HS / 0.7 WS	3.5 BS / 1.5 HS / 0.3 WS
Number of speed settings	4-stage	4-stage
Motor location	Integrated motor in hood body	Integrated motor in hood body
Number of lights	2	2
Bulb type	LED	LED
Light lumens	100 – 150	100 – 150
Light color	3500 – 4000° K	3500 – 4000° K
Total power of the lamps	6 W	6 W
Damper included	Yes	Yes
Grease filter material	Washable Stainless Steel	Washable Stainless Steel
Grease filter type	Mesh with stainless steel cover	Mesh with stainless steel cover
Home Connect® (Wi-Fi enabled)	Yes	Yes

**Technical Details**

Watts	355 W	157 W
Current	15 A	15 A
Volts	120 V	120 V
Frequency	60 Hz	60 Hz
Plug type	Hardwire	Hardwire

**Dimensions & Weight**

Overall appliance dimensions (width of canopy included) (HxWxD)	10 1/2" x 32 1/2" x 10 5/8"	10 1/2" x 32 1/2" x 10 5/8"
Minimum distance above cooktop/range cooking surface	24" Electric, 30" Gas	24" Electric, 30" Gas
Diameter of air duct, top	8"	6"
Net weight	27 lbs.	27 lbs.

BS=Boost Speed; HS=High Speed; WS=Working Speed

**Optional Accessories**

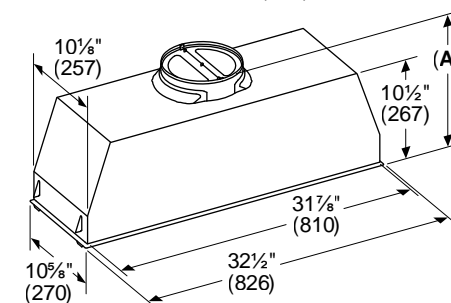
**HUIFIL46UC**  
 Charcoal Filter Kit  
 for use with HUI36253UC

**HUIFILTOUC**  
 Charcoal Filter Kit  
 for use with HUI80553UC and HUI30253UC

# 800 / 300 Series 36" Custom Insert Hoods

**36" HUI86553UC and HUI36253UC Custom Insert Hood Dimensions**

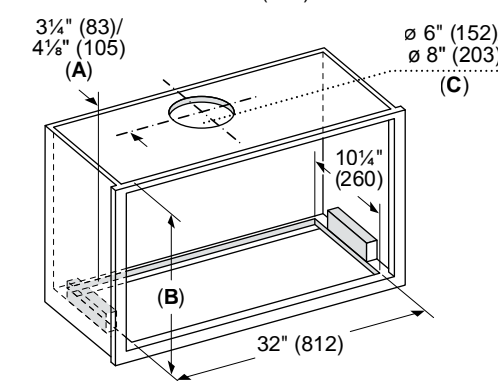
measurements in inches (mm)



- A: Total Height:**
- with 6" duct transition = 12 3/4" (324),
  - with 8" duct transition = 12 5/8" (321)

**36" HUI86553UC and HUI36253UC Cutout for Custom Insert**

measurements in inches (mm)



- A: Location of duct opening**  
 (from back inside edge of cabinet)
- B: Min. height for vertical discharge = 15" (381),**  
 Min. height for horizontal discharge or recirculation = 23" (584)
- C: Pending model/ blower size**



Installed in skirted cabinets



Installed in European style cabinets



# 800 / 300 Series 30" & 24" Custom Insert Hoods



**800 Series**  
30" – HUI80553UC  
Custom Insert Hood

- 4 Speed Levels
- 2 LED Lights
- Stainless Steel Filters with Latch



**300 Series**  
30" – HUI30253UC  
Custom Insert Hoods

- 4 Speed Levels
- 2 LED Lights
- Stainless Steel Filters with Latch



**300 Series**  
24" – HUI34253UC  
Custom Insert Hoods

- 4 Speed Levels
- 2 LED Lights
- Stainless Steel Filters with Latch



+ Indicates a step-up feature

	800 Series	300 Series	300 Series
	30" – HUI80553UC	30" – HUI30253UC	24" – HUI34253UC

### General Properties

	800 Series	300 Series	300 Series
Operating mode	Ducted or recirculating	Ducted or recirculating	Ducted or recirculating
CFM (HVI Certified)	580 BS / 380 HS / 180 WS	280 BS / 180 HS / 100 WS	260 BS / 170 HS / 100 WS
Sones (HVI Certified)	9.0 BS / 5.0 HS / 0.7 WS	3.5 BS / 1.5 HS / <0.3 WS	4 BS / 2 HS / 0.3 WS
Number of speed settings	4-stage	4-stage	4-stage
Motor location	Integrated motor in hood body	Integrated motor in hood body	Integrated motor in hood body
Number of lights	2	2	2
Bulb type	LED	LED	LED
Light lumens	100 – 150	100 – 150	100 – 150
Light color	3500 – 4000° K	3500 – 4000° K	3500 – 4000° K
Total power of the lamps	6 W	6 W	6 W
Damper included	Yes	Yes	Yes
Grease filter material	Washable Stainless Steel	Washable Stainless Steel	Washable Stainless Steel
Grease filter type	Mesh with stainless steel cover	Mesh with stainless steel cover	Mesh with stainless steel cover
Home Connect® (Wi-Fi enabled)	Yes	Yes	Yes

### Technical Details

Watts	355 W	157 W	157 W
Current	15 A	15 A	15 A
Volts	120 V	120 V	120 V
Frequency	60 Hz	60 Hz	60 Hz
Plug type	Hardwire	Hardwire	Hardwire

### Dimensions & Weight

Overall appliance dimensions (width of canopy included) (HxWxD)	10 1/2" x 26 1/2" x 10 5/8"	10 1/2" x 26 1/2" x 10 5/8"	10 1/2" x 20 1/2" x 10 5/8"
Minimum distance above cooktop/range cooking surface	24" Electric, 30" Gas	24" Electric, 30" Gas	24" Electric, 30" Gas
Diameter of air duct, top	8"	6"	6"
Net weight	24 lbs.	24 lbs.	24 lbs.

BS=Boost Speed; HS=High Speed; WS=Working Speed

### Optional Accessories

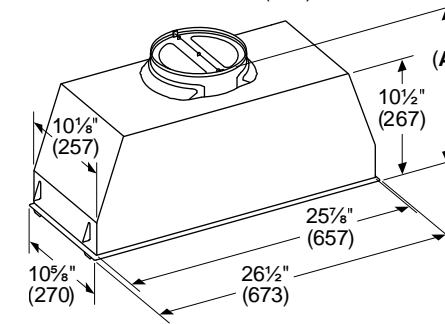
**HUIFIL46UC**  
Charcoal Filter Kit  
for use with HUI36253UC  
and HUI34253UC

**HUIFILTOUC**  
Charcoal Filter Kit  
for use with HUI80553UC and HUI30253UC

# 800 / 300 Series 30" & 24" Custom Insert Hoods

## 30" HUI80553UC & HUI30253UC Custom Insert Hood Dimensions

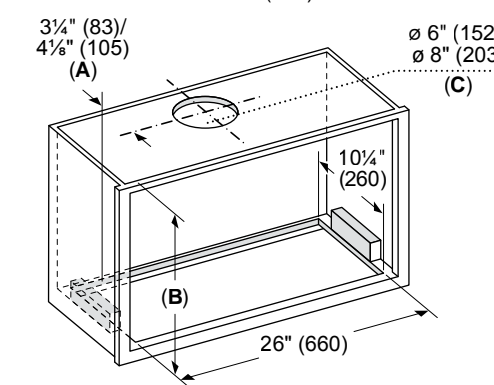
measurements in inches (mm)



- A:** Total Height:  
- with 6" duct transition = 12 3/4" (324)  
- with 8" duct transition = 12 5/8" (321)

## 30" HUI80553UC & HUI30253UC Cutout for Custom Insert

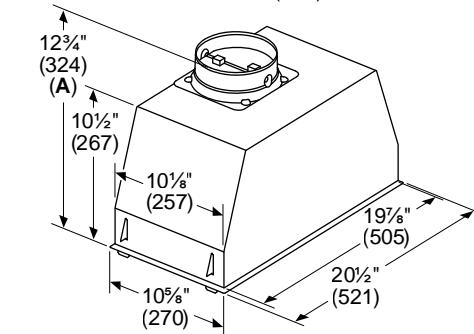
measurements in inches (mm)



- A:** Location of duct opening (from back inside edge of cabinet)  
**B:** Min. height for vertical discharge = 15" (381), Min. height for horizontal discharge or recirculation = 23" (584)  
**C:** Pending model/ blower size

## 24" HUI34253UC Custom Insert Hood Dimensions

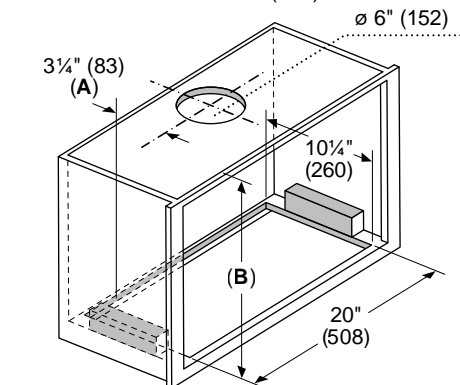
measurements in inches (mm)



- A:** Total height with 6" (152) duct transition

## 24" HUI34253UC Cutout for Custom Insert

measurements in inches (mm)



- A:** Location of duct opening (from back inside edge of cabinet)  
**B:** Min. height for vertical discharge = 15" (381), min. height for horizontal discharge or recirculation = 23" (584)



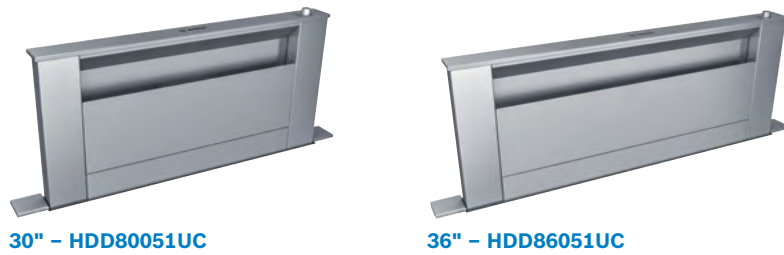
Installed in skirted cabinets



Installed in European style cabinets



# 800 Series Downdraft Hoods



## 800 Series Downdraft Hoods

- 12" Telescopic Chimney
- Blower Options (Sold Separately)
- Aluminum Mesh Filters
- Three Power Levels
- Recirculation Option (Sold Separately)\*

	30"	36"
	Stainless Steel – HDD80051UC	Stainless Steel – HDD86051UC

General Properties		
Operating mode	Convertible: ducted / recirculating	Convertible: ducted / recirculating
Number of speed settings	3-stage	3-stage
Motor location	External	External
Damper included	No	No
Grease filter material	Aluminum	Aluminum
Grease filter type	Multilayer cassette	Multilayer cassette
Duct direction	Front, left, right, rear, down	Front, left, right, rear, down
Optional blower required	Yes (sold separately)	Yes (sold separately)
Technical Details		
Volts (V)	120 V	120 V
Frequency (Hz)	60 Hz	60 Hz
Plug type	120V-3 prong	120V-3 prong
Power cord length (in.)	30"	30"

Dimensions & Weight		
Overall appliance dimensions (width of canopy included) (HxWxD) (in.)	29 3/8" x 31" x 2 3/4"	29 3/8" x 37" x 2 3/4"
Height of the rise (in.)	12"	12"
Diameter of air duct (in.) internal	8"	8"
Diameter of air duct (in.) external	6" or 8"	6" or 8"
Net weight (lbs)	37 lbs	42 lbs

Accessories - Required		
Blower (sold separately)	Yes	Yes

Accessories - Transitions & Blowers		
6" side / rear / downward transition	HDDSTRAN6	HDDSTRAN6
8" side / rear / downward transition	HDDSTRAN8	HDDSTRAN8

**NOTE:** HDDSTRAN6 or HDDSTRAN8 required for side, rear or downward exhaust applications with inline and remote blowers.

6" round front plate	HDDFTRAN6	HDDFTRAN6
8" round front plate	HDDFTRAN8	HDDFTRAN8

**NOTE:** HDDFTRAN6 or HDDFTRAN8 required for front exhaust applications with inline and remote blowers.

Transition for rectangular duct	HDDSTRAN2	HDDSTRAN2
2' rectangular duct	HDD2RECTD	HDD2RECTD

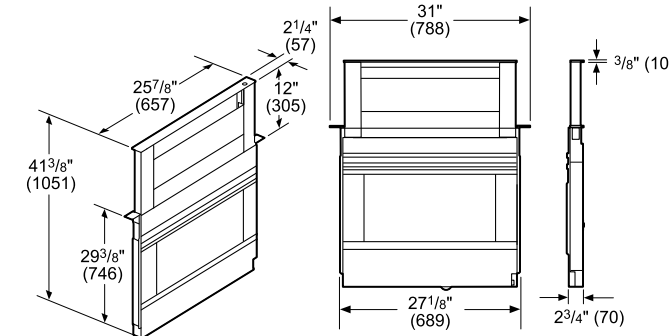
**NOTE:** HDDSTRAN2 needed to attach HDD2RECTD to downdraft. For use with installation of inline or remote blower applications.

Flexible blower	DHG602DUC	DHG602DUC
Inline blower	DHI1FZUC	DHI1FZUC
Remote blower	DHR1FZUC	DHR1FZUC

\*Recirculation kit is not compatible with gas cooktop installations with downdraft

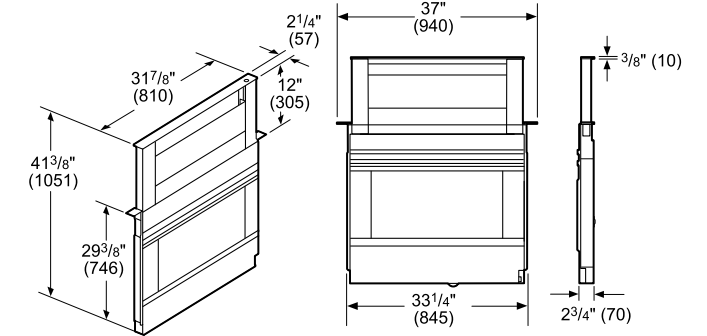
# 800 Series Downdraft Hoods

## 30" HDD80051UC Downdraft Hood



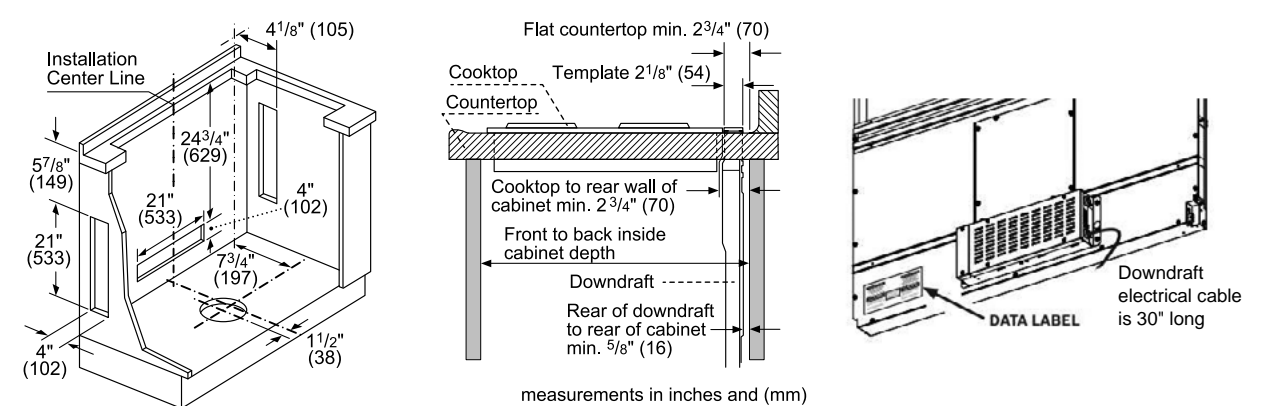
measurements in inches and (mm)

## 36" HDD86051UC Downdraft Hood



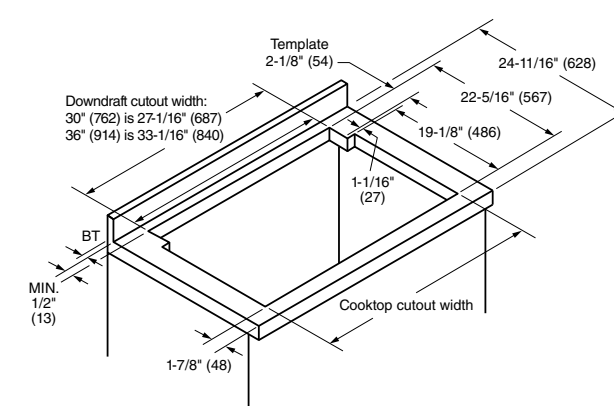
measurements in inches and (mm)

## 30" & 36" Downdraft Hood Clearances

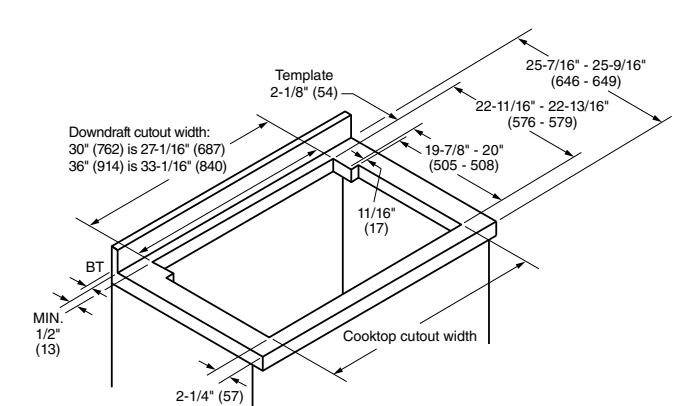


Measurements in inches and (mm)

## Downdraft Hood with Gas Cooktop Cutout

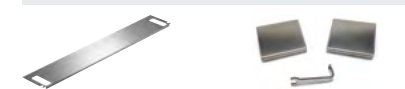


## Downdraft Hood with Electric or Induction Cooktop Cutout



**NOTE:** See page 186 for Downdraft Hood with Gas Rangetop Cutout.

### Optional Accessory for 30" Downdraft Hood



**HDD0RSP**  
30" Gas Cooktop Seal Kit for downdraft (required for installation with gas cooktops)

**HDDTRIM30S**  
Trim Kit for 30" FlameSelect® gas cooktops

### Optional Accessory for 36" Downdraft Hood



**HDD6RSP**  
36" Gas Cooktop Seal Kit for downdraft (required for installation with gas cooktops)

**HDDTRIM36S**  
Trim Kit for 36" FlameSelect® gas cooktops

### Optional Accessories for 30" and 36" Downdraft Hoods



**HDDREC5UC**  
Recirculation Kit (compatible with electric and induction cooktops)

**HDDFILTUC**  
Charcoal Filter Replacement for recirculation kit



# 800 Series Downdraft Hoods

## Inline or Remote Blower Installation – Available Blowers

**Downdraft Hood with Gas Rangetop Cutout**

measurements in inches (mm)

2 1/8" (54) (B)      28 3/16" (732)

26 3/16" (665)

(A)      (D)      (C)

**A:** Downdraft cutout width:  
30" (762) is 27 1/16" (687)  
36" (914) is 33 3/16" (840)

**B:** Template

**C:** Rangetop cutout width

**D:** Accessory kit required to cover seams after installation.

**DHI1FZUC**  
Inline Blower

measurements in inches and mm

- For use with Bosch downdrafts
- Inline blowers can be mounted remotely to minimize blower noise in the cooking area
- Designed to be mounted inline with the ducting installation
- Blower is mounted on roof of exterior wall depending on application needs
- 6" transition required

**DHG602DUC**  
Flexible Integral Blower

measurements in inches and (mm)

- Flexible blower can mount to downdraft or be used as an inline blower, and can be rotated to exhaust downward or to sides
- Blower is able to mount to downdraft or be used as an inline blower
  - Blower can be rotated to exhaust downward or toward sides
  - Additional accessories may be required for installation, see manual

**DHR1FZUC**  
Remote Blower

measurements in inches and mm

- For use with Bosch downdrafts
- Can be mounted on the exterior of the home to minimize noise in the cooking area
- Blower is mounted on roof of exterior wall depending on application needs
- 6" transition required

# 800 Series Downdraft Hoods

## Optional Accessories

**HDDREC5UC**  
Recirculation Kit for Downdraft

Measurements in inches and (mm)

When ducting to the exterior is not feasible, downdraft recirculation kit allows filtered air to re-enter the kitchen while cooking

- When ducting is not feasible, kit eliminates need to exhaust outside
- Air is filtered through charcoal filter, then re-enters kitchen
- Includes recirculation module, filter and metal grille vent plate
- Designed to work with both 30" and 36" Bosch downdrafts, HDD series
- Use with induction / electric cooktops only

**HDD0RSP**  
30" Gas Cooktop Seal Kit for Downdraft

measurements in inches (mm)

30" gas cooktop seal kit required for installation with 30" gas cooktops

- Includes trim, seal, metal grill, and fasteners
- Required for installation with gas cooktops

**HDDTRIM30S**  
Trim Kit for 30" FlameSelect® Gas Cooktops



30" trim kit for installation with 30" FlameSelect® gas cooktops

- Includes trim kit and installation tool
- Required for installation with 30" FlameSelect® gas cooktops

**HDDFILTUC**  
Charcoal Filter Replacement for Recirculation Kit for Downdraft

measurements in inches (mm)

Maintain performance of Bosch downdraft recirculation kit with timely replacement of charcoal filter to capture and filter odors

- Replacement charcoal filter for HDDREC5UC recirculation kit
- Quality charcoal filter effectively captures and filters odors
- Replace charcoal filter every 6 months depending on usage

**HDD6RSP**  
36" Gas Cooktop Seal Kit for Downdraft

measurements in inches (mm)

36" gas cooktop seal kit required for installation with 36" gas cooktops

- Includes trim, seal, metal grill, and fasteners
- Required for installation with gas cooktops

**HDDTRIM36S**  
Trim Kit for 36" FlameSelect® Gas Cooktops



36" trim kit for installation with 36" FlameSelect® gas cooktops

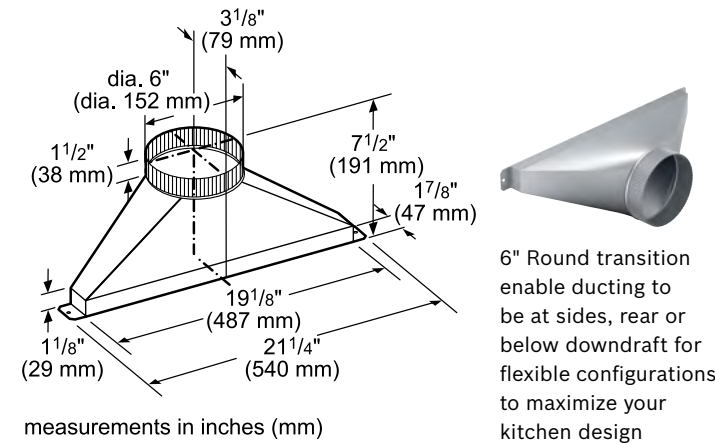
- Includes trim kit and installation tool
- Required for installation with 36" FlameSelect® gas cooktops



# 800 Series Downdraft Hoods

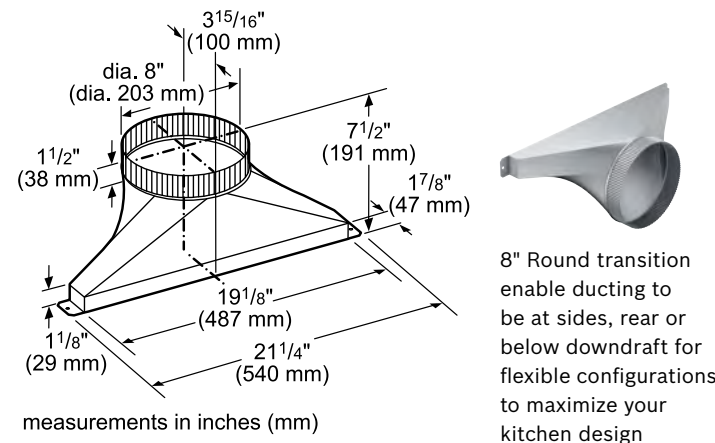
## Inline or Remote Blower Installation – Side / Rear / Downward Transitions

### HDDSTRAN6 6" Side / Rear / Downward Transition for Downdraft



- Flexible transition design allows for left, right, rear or downward venting
- Front rough-in plate may be used with a 6" round duct or elbow
- Ability to use with DHI1FZUC inline and DHR1FZUC remote blowers
- Some blower positions may need deeper cabinets. See installation guide

### HDDSTRAN8 8" Side / Rear / Downward Transition for Downdraft



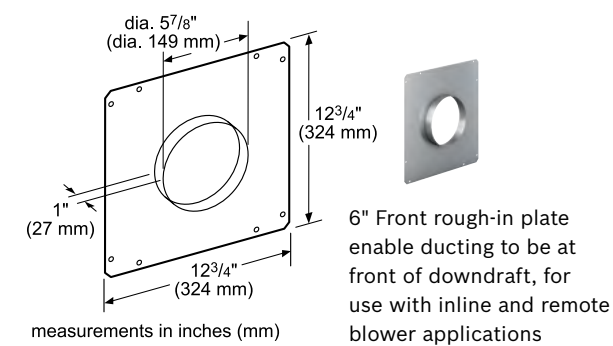
- Flexible transition design allows for left, right, rear or downward venting
- For DHG602DUC flexible downdraft blower used as inline installation
- Some blower positions may need deeper cabinets. See installation guide

**NOTE:** HDDSTRAN6 or HDDSTRAN8 required for side, rear or downward exhaust applications with inline and remote blowers.

# 800 Series Downdraft Hoods

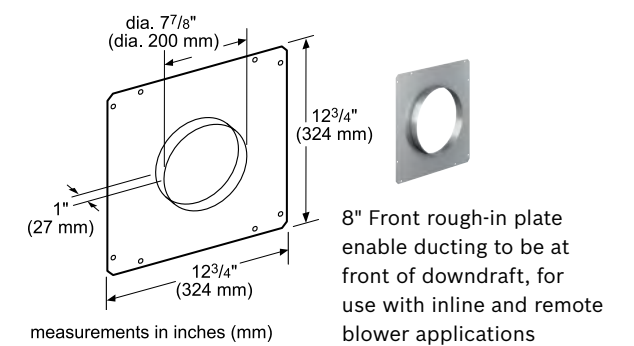
## Inline or Remote Blower Installation – Round Front Downdraft Plates

### HDDFTRAN6 6" Round Front Plate for Downdraft



- Front rough-in plate design allows for front venting
- Front rough-in plate may be used with a 6" round duct or elbow
- Ability to use with DHI1FZUC inline and DHR1FZUC remote blowers

### HDDFTRAN8 8" Round Front Plate for Downdraft

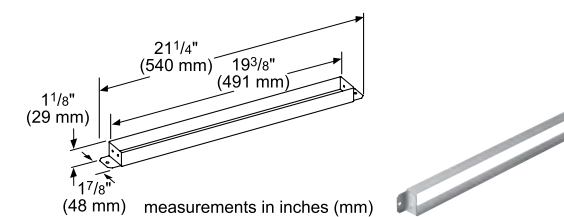


- Front rough-in plate design allows for front venting
- Front rough-in plate may be used with a 8" round duct or elbow
- For DHG602DUC flexible downdraft blower used as inline installation

**NOTE:** HDDFTRAN6 or HDDFTRAN8 front plate required for front exhaust applications with inline and remote blowers.

## Inline or Remote Blower Installation – Transition for Rectangular Duct for Downdraft

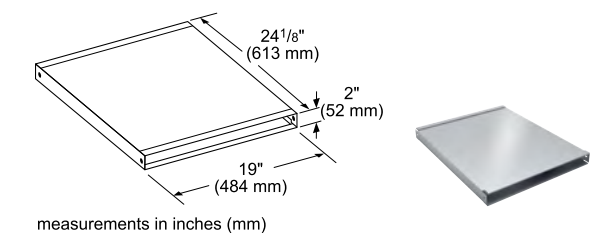
### HDDSTRAN2 Transition for Rectangular Duct for Downdraft



Rectangular duct transition required to connect 2' rectangular duct to downdraft

## Inline or Remote Blower Installation – 2' Rectangular Duct for Downdraft

### HDD2RECTD 2' Rectangular Duct Downdraft



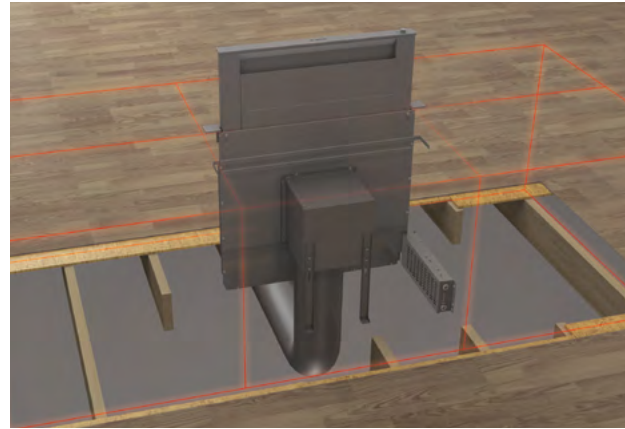
2' Rectangular duct can be used as extension to exhaust through a cabinet or wall while maximizing cabinet storage space

- Duct can be used as an extension to exhaust through a cabinet or wall
- May be attached to sides or rear of downdraft housing
- HDDRECTRN transition needed to connect HDD2RECTD to downdraft housing
- For use with remote or inline blowers



# 800 Series Downdraft Hoods

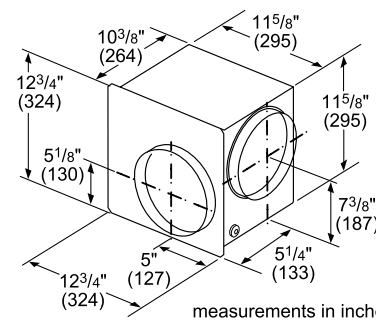
## Flexible Blower Installation – Front Exhaust Example



### Application

- Flexible blower attached can rotate for left, right or downward discharge
- Front downward application with flexible blower
- Requires space under floor line for ductwork\*
- Can be used with optional Recirculation Kit, sold separately
- Elbow, ductwork, blower support structure frame not included

### Required Blower

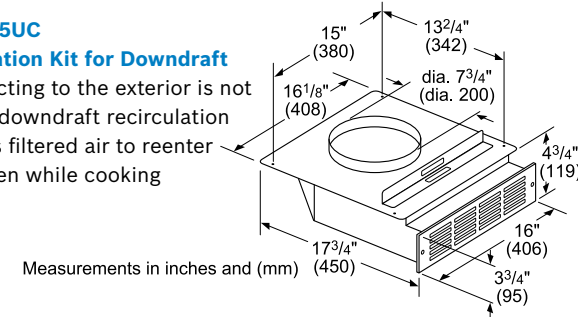


### Optional Accessories

#### HDDREC5UC

##### Recirculation Kit for Downdraft

When ducting to the exterior is not feasible, downdraft recirculation kit allows filtered air to reenter the kitchen while cooking



#### HDDFILTUC

##### Charcoal Filter Replacement for Recirculation Kit for Downdraft

Maintain performance of Bosch downdraft recirculation kit with timely replacement of charcoal filter to capture and filter odors



#### HDD0RSP

##### 30" Gas Cooktop Seal Kit for Downdraft

30" gas cooktop seal kit required for installation with 30" gas cooktops



#### HDD6RSP

##### 36" Gas Cooktop Seal Kit for Downdraft

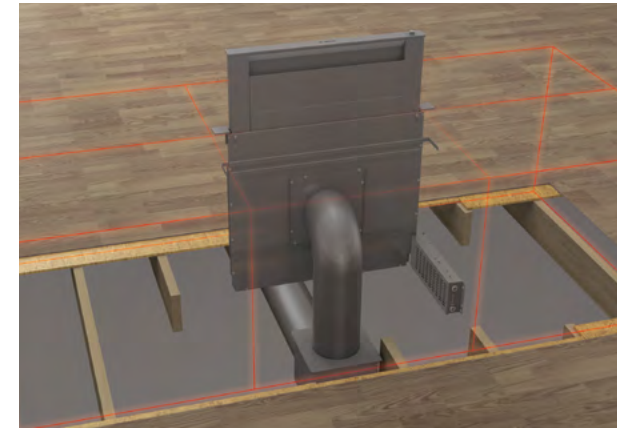
36" gas cooktop seal kit required for installation with 36" gas cooktops



\*For only front downward ducting applications, electrical panel must be remotely mounted. Electrical panel can still be remotely mounted in other exhaust configurations if desired. Electrical panel interconnect cable length is 5-ft. long.

# 800 Series Downdraft Hoods

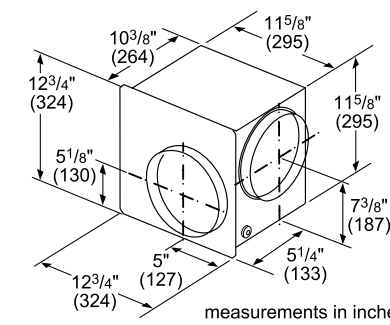
## Flexible Blower Installation – Front Exhaust with Flexible Blower Used as an Inline Option Example



### Application

- Side exhaust with flexible blower used as inline option if ducting is more convenient with this configuration
- Requires at least 18" of clearance to fit the blower and transition
- Blower must be accessible for maintenance
- Elbow, ductwork, blower support structure frame not included

### Required Blower



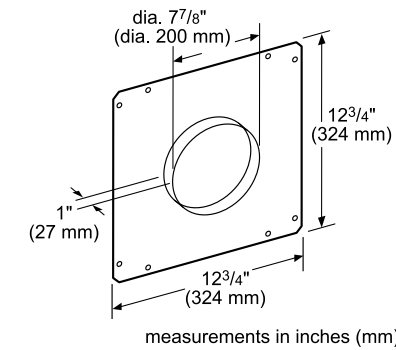
### Required Accessories

#### HDDFRAN8

##### 8" Round Front Plate for Downdraft

8" Front rough-in plate enable ducting to be at front of downdraft, for use with inline and remote blower applications

**NOTE:** HDDFRAN8 front plate required for front exhaust applications with inline and remote blowers.



### Optional Accessories

#### HDD0RSP

##### 30" Gas Cooktop Seal Kit for Downdraft

30" gas cooktop seal kit required for installation with 30" gas cooktops



#### HDD6RSP

##### 36" Gas Cooktop Seal Kit for Downdraft

36" gas cooktop seal kit required for installation with 36" gas cooktops



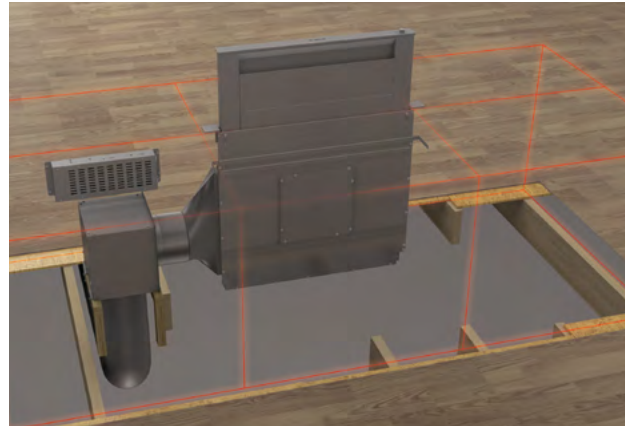
**NOTE:** Some applications may require deeper cabinets. Side and rear exhaust require at least 18" of clearance to fit the blower and / or ductwork. Refer to installation instructions.



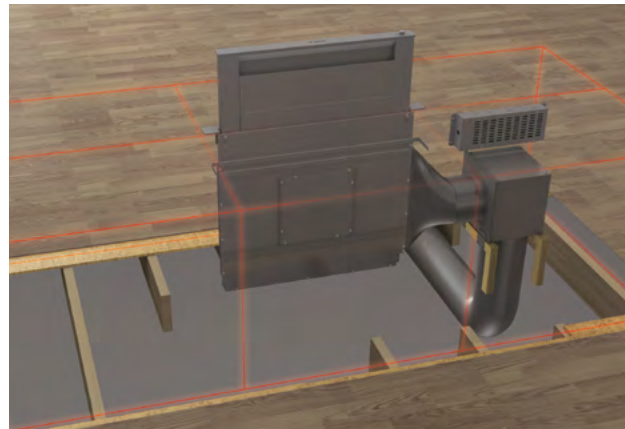


# 800 Series Downdraft Hoods

## Flexible Blower Installation – Side Exhaust Example



Left Side Exhaust

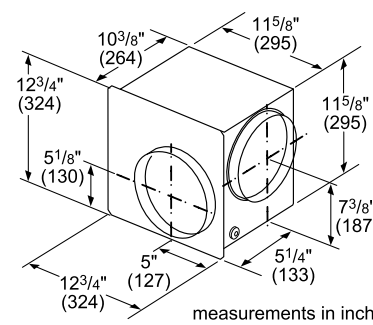


Right Side Exhaust

### Application

- Side exhaust option if ducting is more convenient with this configuration
- Requires at least 18" of clearance to fit the blower and transition
- Can be used with optional Recirculation Kit, sold separately
- Elbow, ductwork, blower support structure frame not included

### Required Blower



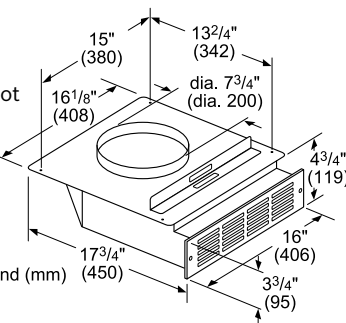
**DHG602DUC Flexible Integral Blower**  
Flexible blower can mount to downdraft or be used as an inline blower, and can be rotated to exhaust downward or to sides

### Optional Accessories

#### HDDREC5UC

##### Recirculation Kit for Downdraft

When ducting to the exterior is not feasible, downdraft recirculation kit allows filtered air to reenter the kitchen while cooking



#### HDDFILTUC

##### Charcoal Filter Replacement for Recirculation Kit for Downdraft

Maintain performance of Bosch downdraft recirculation kit with timely replacement of charcoal filter to capture and filter odors



#### HDDORSP

##### 30" Gas Cooktop Seal Kit for Downdraft

30" gas cooktop seal kit required for installation with 30" gas cooktops



#### HDD6RSP

##### 36" Gas Cooktop Seal Kit for Downdraft

36" gas cooktop seal kit required for installation with 36" gas cooktops

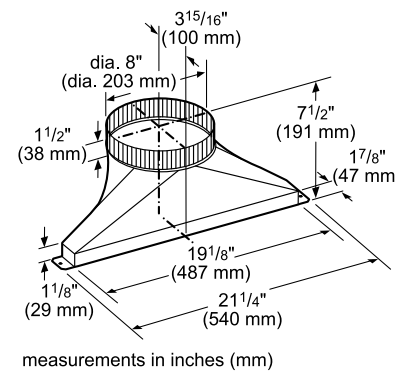


### Required Accessories

#### HDDSTRAN8

##### 8" Side / Rear / Downward Transition for Downdraft

8" Round transition enable ducting to be at sides, rear or below downdraft for flexible configurations to maximize your kitchen design

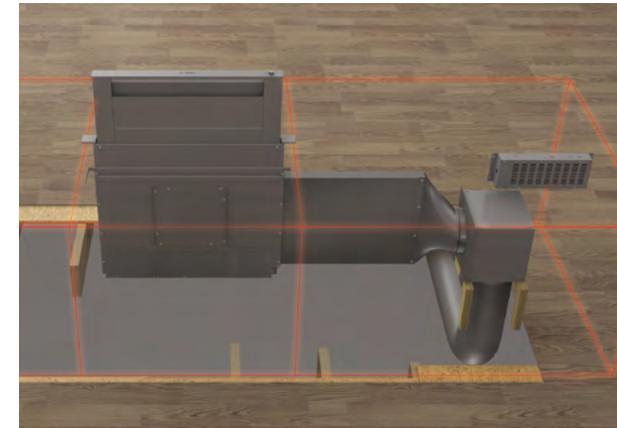


**NOTE:** HDDSTRAN8 side / rear / downward transition required for side, rear or downward exhaust applications with inline and remote blowers.

**NOTE:** Some applications may require deeper cabinets. Side and rear exhaust require at least 18" of clearance to fit the blower and / or ductwork. Refer to installation instructions.

# 800 Series Downdraft Hoods

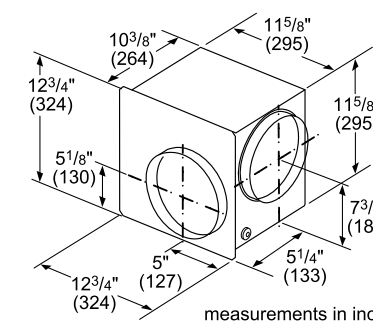
## Flexible Blower Installation – Side Exhaust with Slim 2' Rectangular Duct Example



### Application

- Side exhaust option if ducting is more convenient with this configuration
- A slim 2' rectangular duct is available to place flexible blower in areas such as unused corner in island or peninsula applications
- Can be used with optional Recirculation Kit, sold separately
- Elbow, ductwork, blower support structure frame not included

### Required Blower



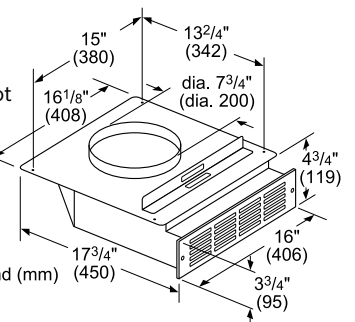
**DHG602DUC Flexible Integral Blower**  
Flexible blower can mount to downdraft or be used as an inline blower, and can be rotated to exhaust downward or to sides

### Optional Accessories

#### HDDREC5UC

##### Recirculation Kit for Downdraft

When ducting to the exterior is not feasible, downdraft recirculation kit allows filtered air to reenter the kitchen while cooking



#### HDDFILTUC

##### Charcoal Filter Replacement for Recirculation Kit for Downdraft

Maintain performance of Bosch downdraft recirculation kit with timely replacement of charcoal filter to capture and filter odors



#### HDDORSP

##### 30" Gas Cooktop Seal Kit for Downdraft

30" gas cooktop seal kit required for installation with 30" gas cooktops



#### HDD6RSP

##### 36" Gas Cooktop Seal Kit for Downdraft

36" gas cooktop seal kit required for installation with 36" gas cooktops

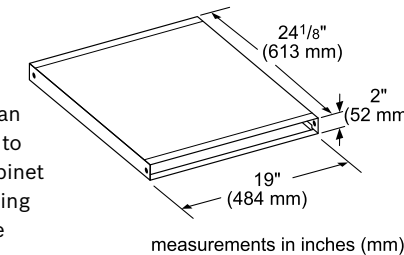


### Required Accessories

#### HDD2RECTD

##### 2' Rectangular Duct Downdraft

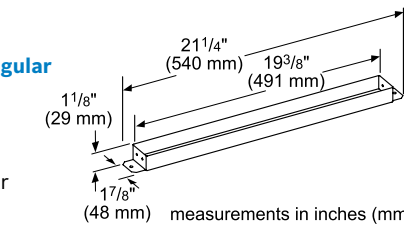
2' Rectangular duct can be used as extension to exhaust through a cabinet or wall while maximizing cabinet storage space



#### HDDSTRAN2

##### Transition for Rectangular Duct for Downdraft

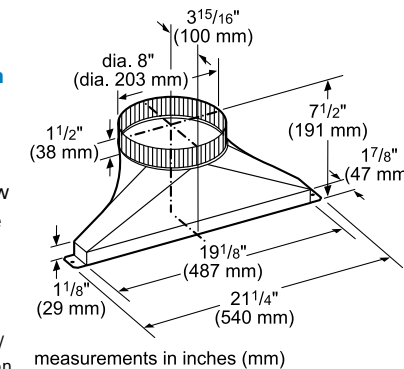
Rectangular duct transition required to connect 2' rectangular duct to downdraft



#### HDDSTRAN8

##### 8" Side / Rear / Downward Transition for Downdraft

8" Round transition enable ducting to be at sides, rear or below downdraft for flexible configurations to maximize your kitchen design



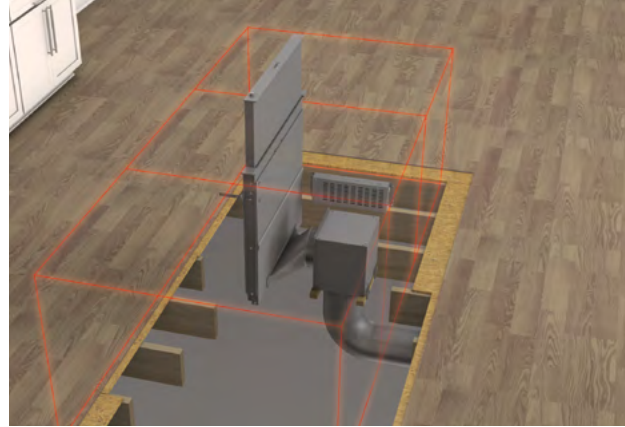
**NOTE:** HDDSTRAN8 side / rear / downward transition required for side, rear or downward exhaust applications with inline and remote blowers.

**NOTE:** Some applications may require deeper cabinets. Side and rear exhaust require at least 18" of clearance to fit the blower and / or ductwork. Refer to installation instructions.



# 800 Series Downdraft Hoods

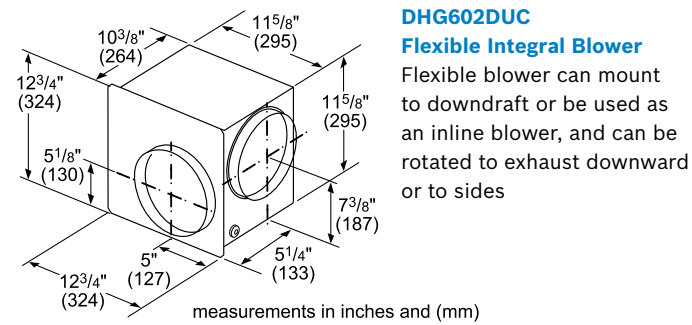
## Flexible Blower Installation – Rear Exhaust Example



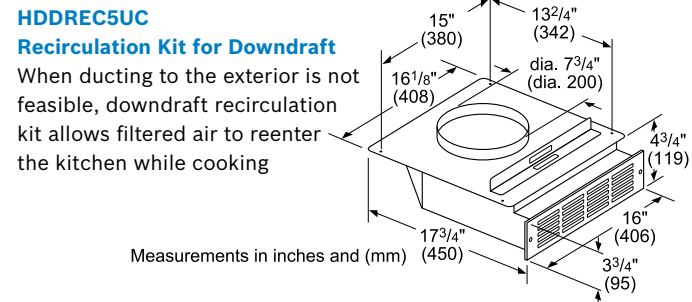
### Application

- Rear exhaust option is possible if ducting is more convenient with this configuration
- Requires at least 18" of clearance to fit the blower and transition
- Blower must be accessible for maintenance
- Can be used with optional Recirculation Kit, sold separately
- Elbow, ductwork, blower support structure frame not included

### Required Blower



### Optional Accessories



**HDDFILTUC Charcoal Filter Replacement for Recirculation Kit for Downdraft**  
Maintain performance of Bosch downdraft recirculation kit with timely replacement of charcoal filter to capture and filter odors



**HDDORSP 30" Gas Cooktop Seal Kit for Downdraft**  
30" gas cooktop seal kit required for installation with 30" gas cooktops



**HDD6RSP 36" Gas Cooktop Seal Kit for Downdraft**  
36" gas cooktop seal kit required for installation with 36" gas cooktops

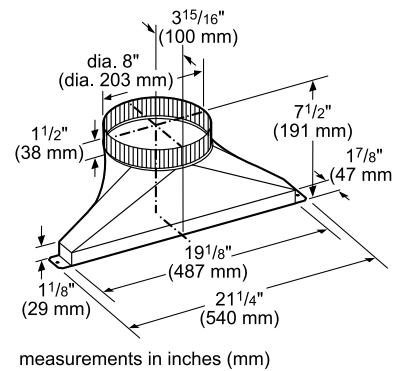


### Required Accessories

**HDDSTRAN8 8" Side / Rear / Downward Transition for Downdraft**

8" Round transition enable ducting to be at sides, rear or below downdraft for flexible configurations to maximize your kitchen design

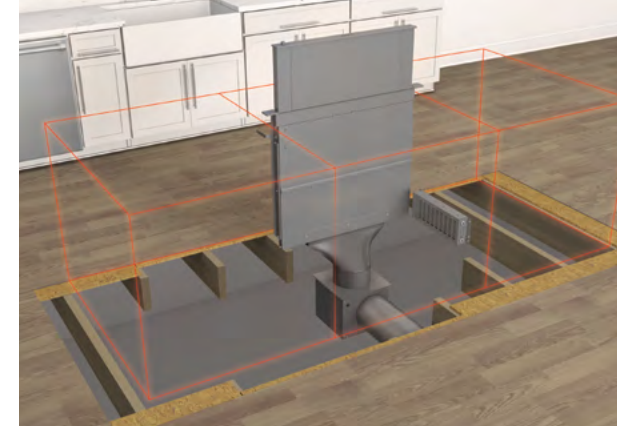
**NOTE:** HDDSTRAN8 side / rear / downward transition required for side, rear or downward exhaust applications with inline and remote blowers.



**NOTE:** Some applications may require deeper cabinets. Side and rear exhaust require at least 18" of clearance to fit the blower and / or ductwork. Refer to installation instructions.

# 800 Series Downdraft Hoods

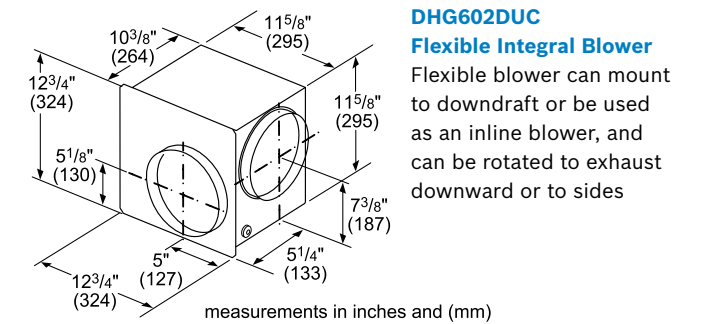
## Flexible Blower Installation – Downward Exhaust Example



### Application

- Downward exhaust option if ducting is more convenient with this configuration
- Requires at least 18" of clearance to fit the blower and transition
- Can be used with optional Recirculation Kit, sold separately
- Elbow, ductwork, blower support structure frame not included
- Blower must be accessible for maintenance
- Can also be installed with inline and remote blowers

### Required Blower

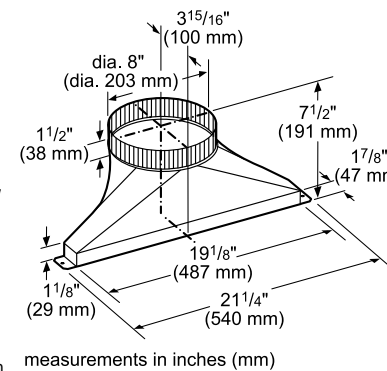


### Required Accessories

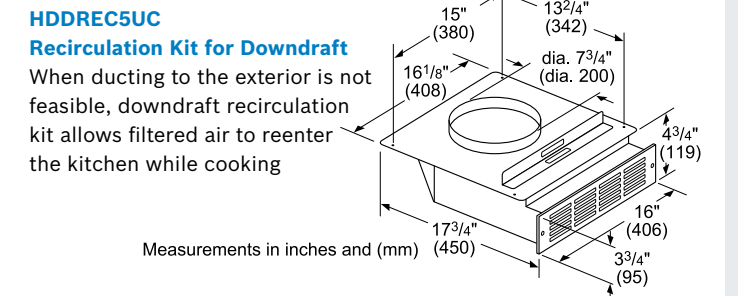
**HDDSTRAN8 8" Side / Rear / Downward Transition for Downdraft**

8" Round transition enable ducting to be at sides, rear or below downdraft for flexible configurations to maximize your kitchen design

**NOTE:** HDDSTRAN8 side / rear / downward transition required for side, rear or downward exhaust applications with inline and remote blowers.



### Optional Accessories



**HDDFILTUC Charcoal Filter Replacement for Recirculation Kit for Downdraft**  
Maintain performance of Bosch downdraft recirculation kit with timely replacement of charcoal filter to capture and filter odors



**HDDORSP 30" Gas Cooktop Seal Kit for Downdraft**  
30" gas cooktop seal kit required for installation with 30" gas cooktops

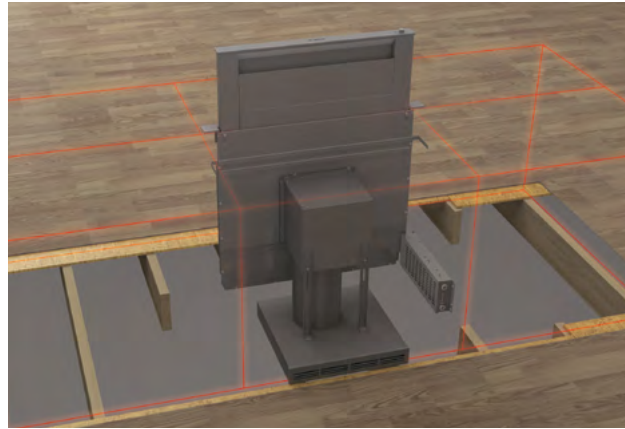


**HDD6RSP 36" Gas Cooktop Seal Kit for Downdraft**  
36" gas cooktop seal kit required for installation with 36" gas cooktops



# 800 Series Downdraft Hoods

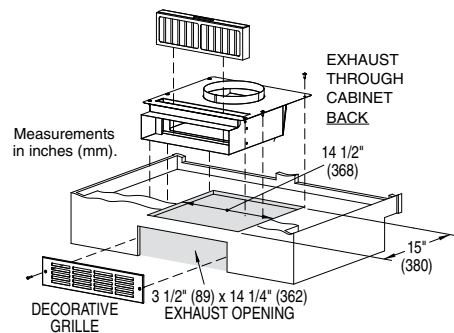
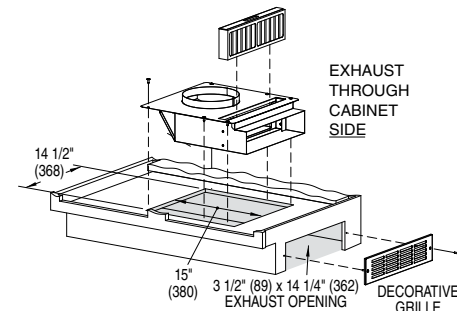
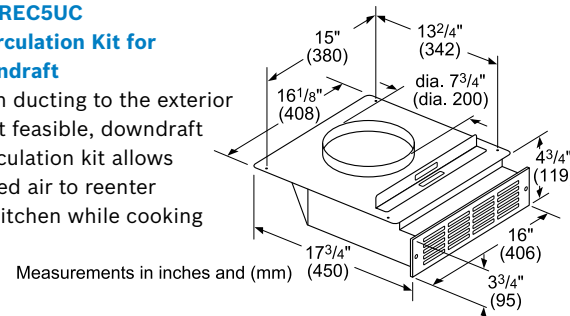
## Flexible Blower Installation – Recirculation Example



### Required Accessories

#### HDDREC5UC Recirculation Kit for Downdraft

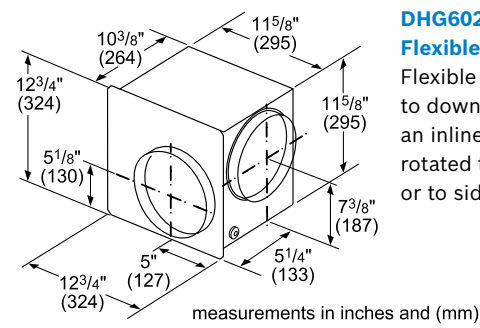
When ducting to the exterior is not feasible, downdraft recirculation kit allows filtered air to reenter the kitchen while cooking



### Application

- Allows for non-ducted downdraft installation by eliminating the need to exhaust to the exterior of the home
- Mount to toe kick or base of a cabinet and attach directly to flexible blower
- Recirculation module and metal grill vent plate placement can be rotated for flexible exhaust placement
- Elbow, ductwork, blower support structure frame not included

### Required Blower



**DHG602DUC  
Flexible Integral Blower**  
Flexible blower can mount to downdraft or be used as an inline blower, and can be rotated to exhaust downward or to sides

### Optional Accessories

#### HDDFILTUC Charcoal Filter Replacement for Recirculation Kit for Downdraft

Maintain performance of Bosch downdraft recirculation kit with timely replacement of charcoal filter to capture and filter odors



#### HDD0RSP 30" Gas Cooktop Seal Kit for Downdraft

30" gas cooktop seal kit required for installation with 30" gas cooktops



#### HDD6RSP 36" Gas Cooktop Seal Kit for Downdraft

36" gas cooktop seal kit required for installation with 36" gas cooktops



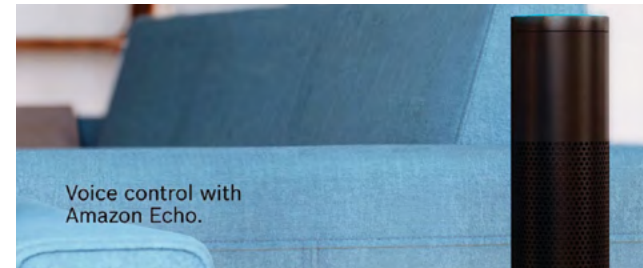
# Simply Connected Ventilation

Bosch chimney hoods with Home Connect® offer intuitive connectivity, designed to help you take control of your day, in your own way:



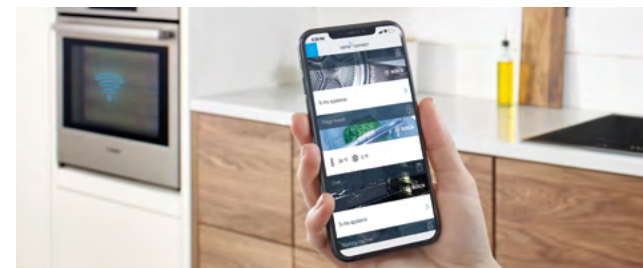
## Cooktop-Hood Control

Cooktop-hood control enables you to control your Wi-Fi synced Bosch cooktop and hood at the touch of a button. Program your hood to automatically start the fan when you start cooking, customize a lighting design, change the fan speed from your smart device and more.



## Voice Control

Connect with your smart home. Use your voice assistant to bring the convenience of hands-free operation to your connected hood.



## Notifications

Optional push notifications alert you to when it is time to clean your grease filter or change your charcoal filter (for recirculated models).



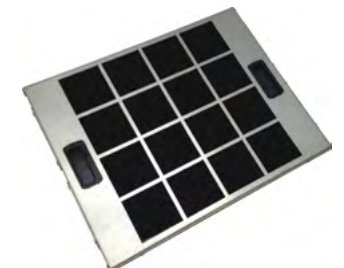
## Remote Diagnostics

Remote diagnostics allows for more efficient service solutions and the ultimate peace of mind. Smart support, smart solutions—all within an app.



## Customize Settings

Personalize appliance settings such as lighting design, fan speed, shut-off timer, and filter tracking to your needs, all through the Home Connect® app.



## Online Shop

Shop the accessories available for your cooktop with a link to the Bosch online shop.

**NOTE:** Pair with a Bosch Induction Cooktop with Home Connect®. See pages 28, 30, 32 and 34 for compatible models.





# Dishwashers

From legendary quiet performance to the promise of sparkling clean dishes – Bosch dishwashers once again set the standard.

The industry's most advanced clean meets the ultimate dry. Our newest innovation, PowerControl™ spray arm targets your dirtiest dishes for the deepest clean, while our legendary CrystalDry™ transforms moisture into heat to get dishes, including plastics, 60% drier.\*

PrecisionWash® on Bosch dishwashers offers intelligent sensors that continually scan and check the progress of dishes throughout the cycle, and powerful, precision spray arms go to work to target every item of every load.

\*Based on aggregate average drying performance of Bosch Dishwashers with CrystalDry™ on combined household load including plastics, glass, steel, and porcelain as compared to Bosch Dishwashers with PureDry®. Drying performance may vary by dish type when dishwasher is used as instructed. Excludes SPE68C75UC, SPX68C75UC, SPV68C73UC.



# Benchmark™ Series Dishwashers

include these features:



## CrystalDry™ Technology

The ultimate dry. Patented CrystalDry™ technology transforms moisture into heat up to 176°F to get dishes, including plastics, 60% drier.\*\*



## PowerControl™ Spray Arm

PowerControl™ spray arm targets your dirtiest dishes with a deeper clean, no matter where you load them on the bottom rack.



## Smooth-rolling Ball Bearings

Smooth-rolling ball bearings add a smoother glide to all three racks, so you get a more premium feel with every pull—even when the rack is fully loaded.\*



## FlexSpace® Plus Tines

FlexSpace® Plus tines give you complete flexibility. Either fold down every other tine in the row or fold them all down—to create space to load larger dishes such as pasta bowls or even small frying pans more efficiently.\*



## Interior Light

A bright white interior light adds an aesthetic accent in the kitchen and makes loading easier in dim lighting.\*



## TimeLight®

The TimeLight® shines the amount of time remaining in the cycle right on the floor or in the pocket handle (SHP9PCM5N).

\*Available on select Benchmark™ Series models only.

\*\*Based on aggregate average drying performance of Bosch Dishwashers with CrystalDry™ on combined household load including plastics, glass, steel, and porcelain as compared to Bosch Dishwashers with PureDry®. Drying performance may vary by dish type when dishwasher is used as instructed. Excludes SPE68C75UC, SPX68C75UC, SPV68C73UC.



# Our best, now even better.

Enhanced, industry-leading performance. Smarter simplification. Plus, a whole new look. The next generation of Bosch dishwashers builds upon our legacy of exceptional engineering, with ultra-quiet operation, trusted reliability and unmistakable Bosch quality.



## The industry's most advanced clean meets the ultimate dry.

### Introducing PowerControl™\*

Bosch dishwashers once again set the standard. Our newest innovation, PowerControl™ spray arm targets your dirtiest dishes for the deepest clean, while our legendary CrystalDry™ technology gives dishes, including plastics, the ultimate dry.

\*Available on Benchmark™ and 800 Series dishwashers. Excludes ADA and German-made models.

## New designs

**Sleek and streamlined, from handles to control panels.**

Our dishwashers feature a variety of new design options to enhance any kitchen.



## More connectivity

**Now with Home Connect® on every Bosch dishwasher.**

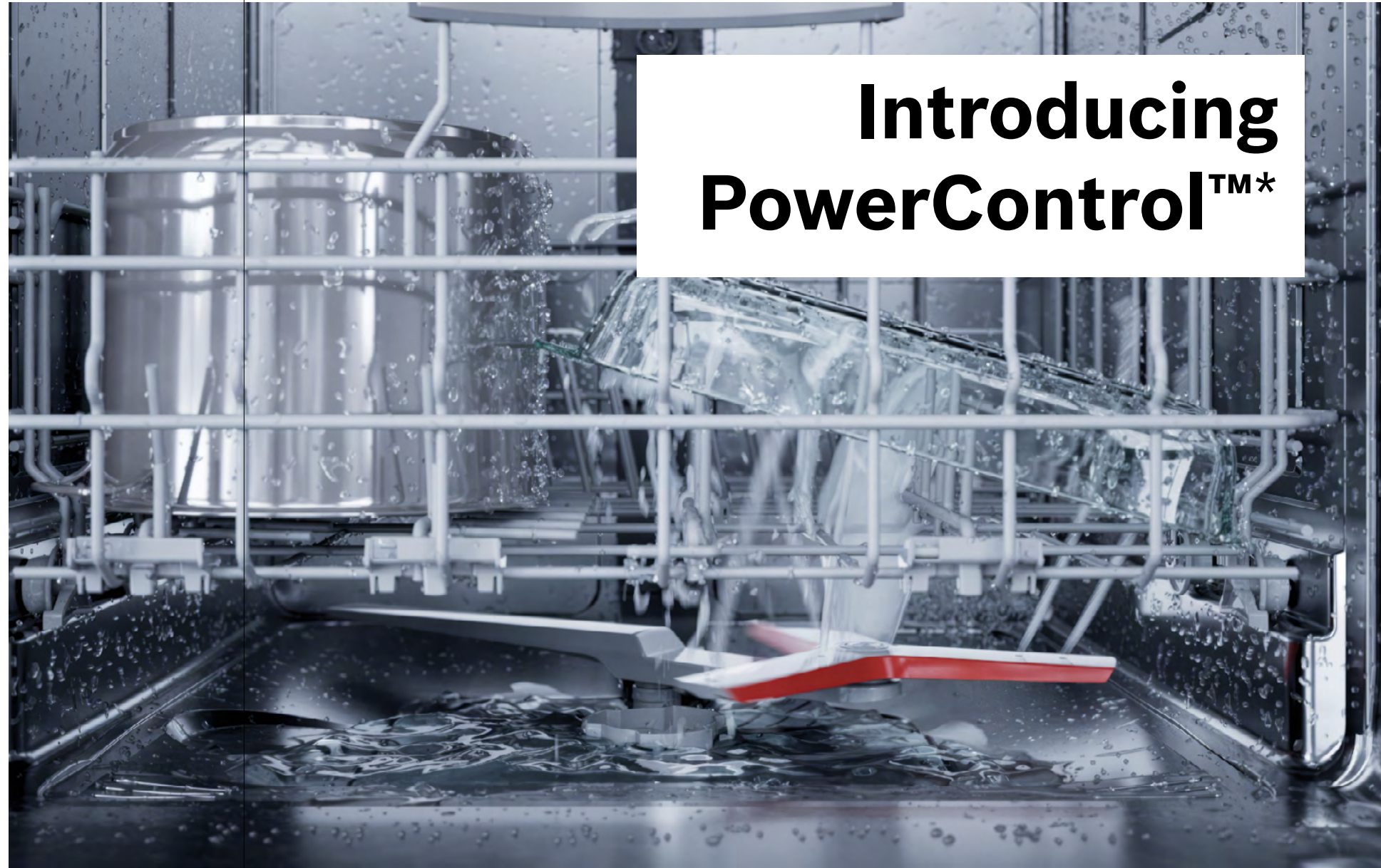
Bosch Wi-Fi enabled dishwashers allow you to clean smarter, not harder, with Home Connect®.



 Click here to learn more about PowerControl™

## Advanced cleaning with PrecisionWash®

With PrecisionWash® on all Bosch dishwashers, simply start your dishwasher and walk away. Intelligent sensors continually scan and check the progress of dishes throughout the cycle, and powerful, precision spray arms go to work targeting every item of every load. So when your dishes are done, so are you.

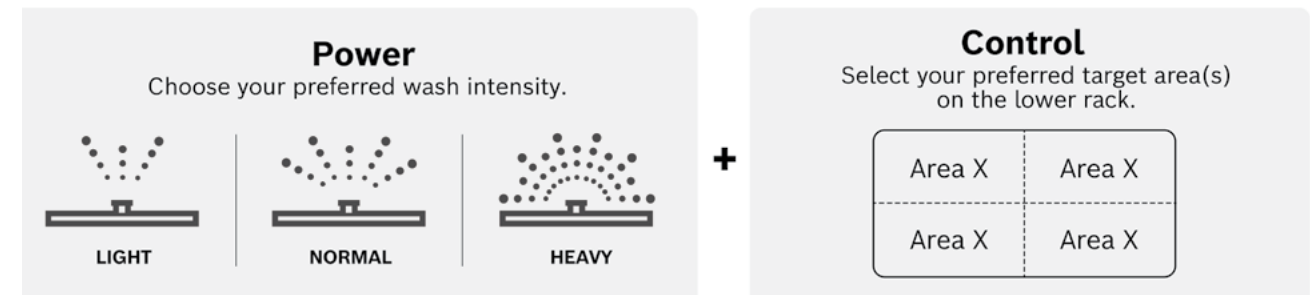


# Introducing PowerControl™\*

## PowerControl™, for the industry's most advanced clean

PowerControl™ spray arm enhances PrecisionWash® performance to target your dirtiest dishes with a deeper clean, no matter where you load them on the bottom rack. No more scrubbing, pre-rinsing, or hand washing.

## How it works



With PowerControl™, your toughest, baked-on dishes receive a targeted, powerful clean.

\*Available on Benchmark™ and 800 Series dishwashers. Excludes ADA and German-made models.





Click here to learn more about Bosch drying technologies.

# Bosch drying technologies.

Bosch features several energy-efficient drying technologies, each uniquely designed to ensure dishes come out of the drying cycle clean, dry and ready for use. Whether you're looking for more heat, advanced technology, or the flow of fresh air, Bosch delivers a whole new level of dry.



## CrystalDry™



### The ultimate dry, including plastics.

No matter if it's lunchboxes, salad bowls, plates, or baby bottles, plastic dishes are often the most appropriate choice in our daily life. But useful as they may be, cleaning them in the dishwasher often means more work. At Bosch, we believe dishes should receive a powerful clean and then be thoroughly dry. Patented CrystalDry™ technology on select Bosch dishwashers transforms moisture into heat up to 176° F to get dishes 60% drier,\* so you can put away your dishes — even plastics, immediately into the cupboard when the dishwasher is finished.

\*Based on aggregate average drying performance of Bosch Dishwashers with CrystalDry™ on combined household load including plastics, glass, steel, and porcelain as compared to Bosch Dishwashers with PureDry®. Drying performance may vary by dish type when dishwasher is used as instructed. Excludes SPE68C75UC, SPX68C75UC, SPV68C73UC.





# Benchmark™ Series Dishwashers



- Benchmark™ Series**
- +39 dBA (Pocket Handle model is 38 dBA)
  - +EasyGlide® Plus rails on all 3 levels
  - +TimeLight® Time Remaining Indicator
  - +Interior Lighting & Water Softener
  - +PrecisionWash® with PowerControl™
  - CrystalDry™



+ Indicates a step-up feature

**Benchmark™ Series**

- Pocket Handle – SHP9PCM5N
- Bar Handle – SHX9PCM5N
- Custom Panel – SHV9PCM3N

**General Properties**

Number of wash cycles / options	5 + 4 additional in Home Connect® / 4 + 4 additional in Home Connect®
dBA	38 / 39 / 38
Wash system	PrecisionWash® with PowerControl™
Drying system	CrystalDry™
Third rack	Flexible 3rd rack
Rack adjustability	RackMatic®
Tub material	Stainless steel
Control type	Touch control
Concealed water heating element	Yes
Leak protection system	24/7 AquaStop®
Home Connect® (WiFi enabled)	Yes
NSF®-certified* sanitize option	Yes
Water softener	Yes
Five-level wash	Yes
Child Lock button suspension	No
Anti-Fingerprint Finish	Yes / Yes / N/A
Special features	CrystalDry™ Option, TimeLight®, Interior Light, EasyGlide® Plus rack system
Toe kick	Black

**Efficiency and Capacity**

Water usage per cycle	3.2 gal
ENERGY STAR® certified	Yes
Total annual energy consumption	240 kWh
Number of place settings	16

**Technical Data**

Watts / Current / Volts / Frequency	1440 W / 12 Amps / 120 V / 60 Hz
Power cord full length	67"
Power cord install length from edge of unit when facing the door	Left – 45" Right – 56"
Minimum water pressure	14 lb/sin
Length outlet hose	78 3/4"

**Dimensions & Weight**

Overall appliance dimensions (HxWxD)	Pocket and bar handle: 33 7/8" x 23 9/16" x 23 3/4" (Custom panel D: 23 1/16")
Required cutout size (HxWxD)	33 7/8" x 24" x 24"
Adjustable feet	Yes
Net weight	117 / 117 / 114 lbs

\* Certification to NSF/ANSI Standard 184 for residential dishwashers.

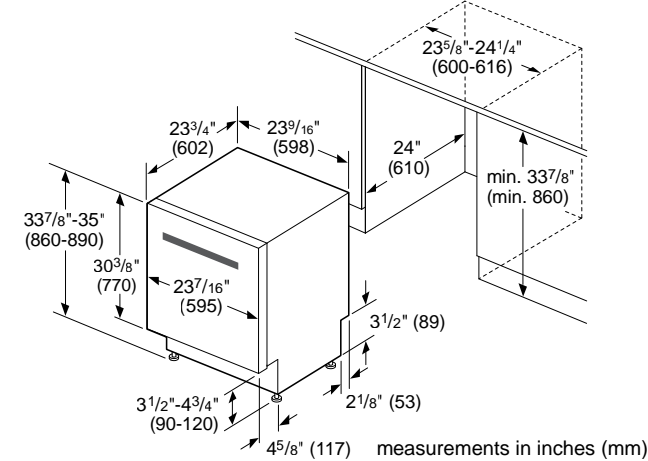
**Optional Accessories**

<b>SMZ3IN1UC</b> Junction Box & Water Supply Hose Kit	<b>SMZSH1ABUC</b> Supply Hose Kit with Elbow	<b>SGZ1010UC</b> Drain Hose Extension Kit	<b>SMZ4000UC</b> Flexible Silverware Basket	<b>SMZ5002UC</b> Anti-Tarnish Silverware Cassette	<b>SMZEPCC1UC</b> Edge Protector + Power Cord Clip Install Kit	<b>SMZ1008UC</b> Stainless Steel Bosch Dishwasher Bar Handle
--	---	--	--	--	---	---

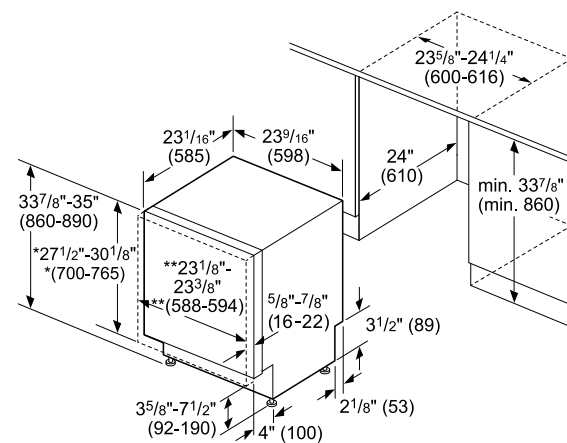
**SMZPCJB1UC** Junction Box  
**SMZ5000** Accessory Kit: Extra Tall Item Sprinkler, Vase and Bottle Holder, 3 Plastic Item Clips and Small Item Basket

# Benchmark™ Series Dishwashers

**Dimensions and Cutout**



**Custom Panel – Dimensions and Cutout**



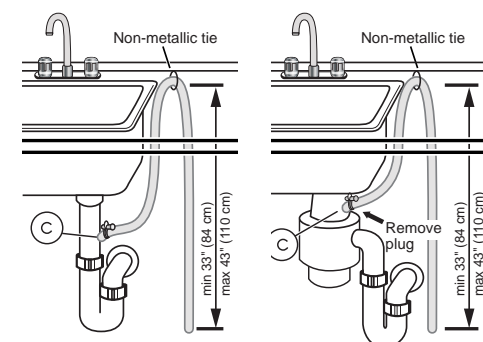
\* measured from the bottom edge of the countertop panel thickness recommended 3/4" (20 mm).

This dishwasher can accept custom door panel weights ranging from 7 to 24 lbs; however, the dishwasher comes from the factory ready for custom panel door weights from 11 to 18 lbs. If you plan on using a door panel that is not 11 to 18 lbs. please contact customer service at (800) 944-2904.

\*\* 24" (610 mm) wide panel may be used depending on cabinet design

Note: Refer to installation template for mounting hardware locations measurements in inches (mm)

**Plumbing**

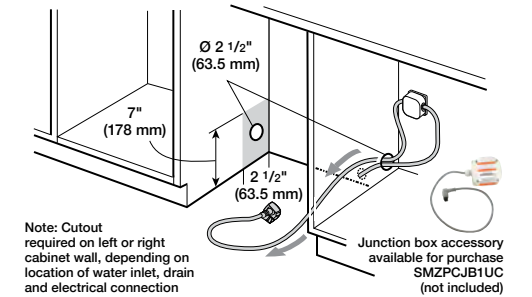


Note: Plumbing installations will vary - refer to local codes. Drain hose included is 79" (201 cm) and can be extended to a maximum of 155 3/4" (396 cm).

Always use the approved drain hose extension kit (SGZ1010UC).

Ensure a portion of the drain hose is raised between min. 33" (84 cm) and max. 43" (110 cm) above the cabinet floor.

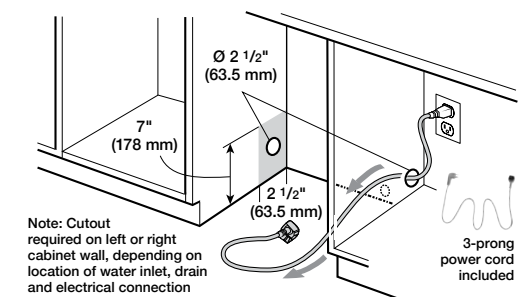
**Example of Hardwire Installation**



Note: Cutout required on left or right cabinet wall, depending on location of water inlet, drain and electrical connection

Junction box accessory available for purchase SMZPCJB1UC (not included)

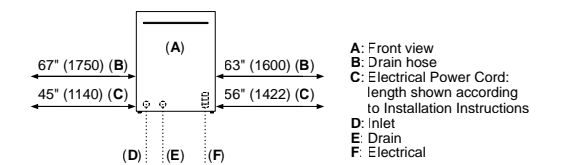
**Example of Electrical Receptacle Installation**



Note: Cutout required on left or right cabinet wall, depending on location of water inlet, drain and electrical connection

3-prong power cord included

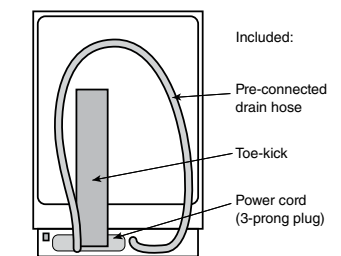
**Water and Electrical Locations**



All connections are at the rear of the appliance. Extension for drain hose available as accessory. Junction Box for hard wired connection available as an accessory.

Measurements in inches (mm)

**Included Parts & Accessories**



# 800 Series Dishwashers



**800 Series**  
 \*SHP78CM\_N  
 \*SHX78CM\_N  
 SHV78CM3N

- +42 dBA
- +PrecisionWash® with PowerControl™
- CrystalDry™
- LED Display Window
- Flexible 3rd Rack



- 5 Stainless Steel
- 2 White
- 4 Black Stainless Steel
- 6 Black

+ Indicates a step-up feature

\* Multiple colors available. See color chips to fill in missing digit.

**800 Series**

- \*Pocket Handle – SHP78CM\_N
- \*Bar Handle – SHX78CM\_N
- Custom Panel – SHV78CM3N

**General Properties**

Number of wash cycles / options	5 + 3 additional in Home Connect® / 4 + 2 additional in Home Connect®
dBA	42
Wash system	PrecisionWash® with PowerControl™
Drying system	CrystalDry™
Third rack	Flexible 3rd Rack
Rack adjustability	RackMatic®
Tub material	Stainless steel
Control type	Touch controls
Concealed water heating element	Yes
Leak protection system	24/7 AquaStop®
Home Connect® (WiFi enabled)	Yes
NSF®-certified* sanitize option	Yes
Water softener	No
Five-level wash	Yes
Child Lock button suspension	No
Anti-Fingerprint Finish	Yes (Stainless steel and Black stainless steel models only)
Special features	CrystalDry™ Option, InfoLight®
Toe kick	Black (White models have white toe kick)

**Efficiency and Capacity**

Water usage per cycle	3.2 gal
ENERGY STAR® certified	Yes
Total annual energy consumption	240 kWh
Number of place settings	16

**Technical Data**

Watts	1440 W
Current / Volts / Frequency	12 Amps / 120 V / 60 Hz
Power cord full length	67"
Power cord install length from edge of unit when facing the door	Left – 45" Right – 56"
Minimum water pressure	14 lb/sin
Length outlet hose	78 3/4"

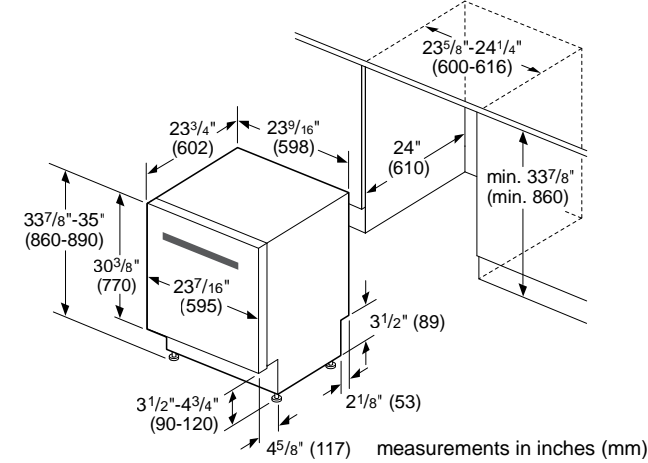
**Dimensions & Weight**

Overall appliance dimensions (HxWxD) (adjustable feet)	33 7/8" x 23 9/16" x 23 3/4"
Required cutout size (HxWxD)	33 7/8" x 24" x 24"
Adjustable feet	Yes
Net weight	96 / 96 / 93 lbs

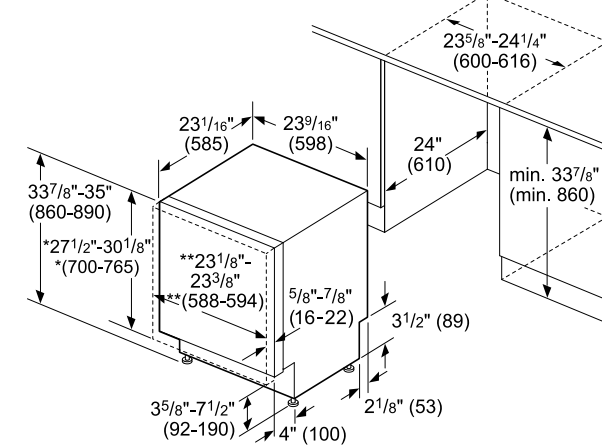
\*Certification to NSF/ANSI Standard 184 for residential dishwashers.

# 800 Series Dishwashers

**Dimensions and Cutout**

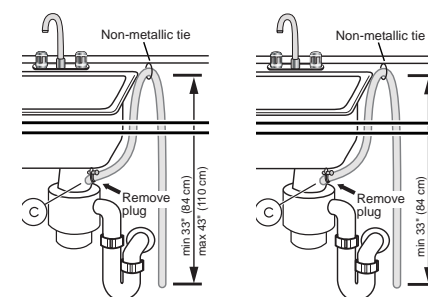


**Custom Panel – Dimensions and Cutout**



\* measured from the bottom edge of the countertop panel thickness recommended 3/4" (20 mm).  
 This dishwasher can accept custom door panel weights ranging from 7 to 24 lbs; however, the dishwasher comes from the factory ready for custom panel door weights from 11 to 18 lbs. If you plan on using a door panel that is not 11 to 18 lbs, please contact customer service at (800) 944-2904.  
 \*\* 24" (610 mm) wide panel may be used depending on cabinet design  
 Note: Refer to installation template for mounting hardware locations measurements in inches (mm)

**Plumbing**



Note: Plumbing installations will vary - refer to local codes. Drain hose included is 79" (201 cm) and can be extended to a maximum of 155 3/4" (396 cm).

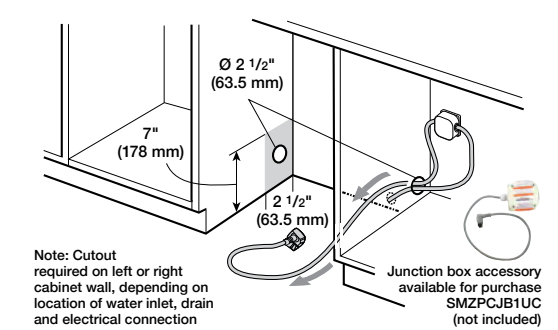
Always use the approved drain hose extension kit (SGZ1010UC).

Ensure a portion of the drain hose is raised between min. 33" (84 cm) and max. 43" (110 cm) above the cabinet floor.

**Optional Accessories**

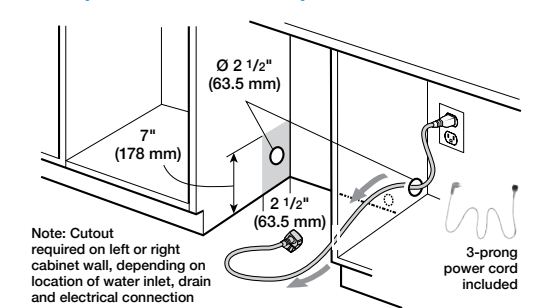
<b>SMZ3IN1UC</b> Junction box & Water Supply Hose Kit	<b>SMZSH1ABUC</b> Supply Hose Kit with Elbow	<b>SGZ1010UC</b> Drain Hose Extension Kit	<b>SMZ4000UC</b> Flexible Silverware Basket	<b>SMZ5002UC</b> Anti-Tarnish Silverware Cassette	<b>SMZEPCC1UC</b> Edge Protector + Power Cord Clip Install Kit	<b>SMZ1008UC</b> Stainless Steel Bosch Dishwasher Bar Handle
<b>SMZPCJB1UC</b> Junction Box	<b>SMZCD200UC</b> Flexible 3rd Rack	<b>SMZ5000</b> Accessory Kit: Extra Tall Item Sprinkler, Vase and Bottle Holder, 3 Plastic Item Clips and Small Item Basket				

**Example of Hardwire Installation**



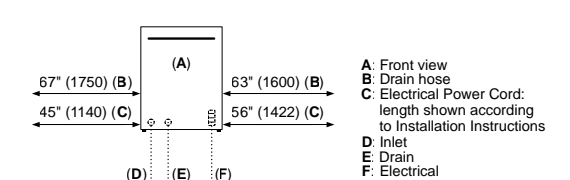
Note: Cutout required on left or right cabinet wall, depending on location of water inlet, drain and electrical connection  
 Junction box accessory available for purchase SMZPCJB1UC (not included)

**Example of Electrical Receptacle Installation**



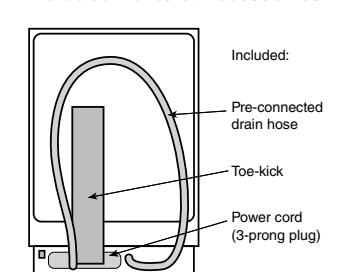
Note: Cutout required on left or right cabinet wall, depending on location of water inlet, drain and electrical connection  
 3-prong power cord included

**Water and Electrical Locations**



All connections are at the rear of the appliance. Extension for drain hose available as accessory. Junction Box for hard wired connection available as an accessory.  
 Measurements in inches (mm)

**Included Parts & Accessories**



# 500 Series Dishwashers



**500 Series**  
**SHP95CM5N**

- +38 dBA
- + Pocket Handle Design
- PrecisionWash®
- Standard 3rd rack
- 24/7 AquaStop



**500 Series**  
**\*SHP65CM\_N**  
**SHX65CM5N**

- +44 dBA
- + AutoAir
- + Pocket Handle Design
- + Flexible 3rd Rack
- 24/7 AquaStop



- 5 Stainless Steel
- 2 White
- 6 Black

+ Indicates a step-up feature

\* Multiple colors available. See color chips to fill in missing digit.

	500 Series	500 Series
	Pocket Handle – SHP95CM5N	Pocket Handle – *SHP65CM_N Bar Handle – SHX65CM5N
<b>General Properties</b>		
Number of wash cycles / options	5 + 3 additional in Home Connect® / 3 + 2 additional in Home Connect®	5 + 3 additional in Home Connect® / 3 + 2 additional in Home Connect®
dBA	38	44
Wash system	PrecisionWash®	PrecisionWash®
Drying system	PureDry®	AutoAir® option
Third rack	Standard 3rd rack	Flexible 3rd rack
Rack adjustability	RackMatic®	RackMatic®
Tub material	Stainless steel	Stainless steel
Control type	Touch Controls	Touch Controls
Concealed water heating element	Yes	Yes
Leak protection system	24/7 AquaStop®	24/7 AquaStop®
Home Connect® (WiFi enabled)	Yes	Yes
NSF®-certified* sanitize option	Yes	Yes
Water softener	No	No
Five-level wash	Yes	Yes
Child Lock button suspension	No	No
Anti-Fingerprint Finish	Yes	Yes (Stainless steel models only)
Special features	InfoLight®	InfoLight®, AutoAir® Option
Toe kick	Black	Black (White model has white toe kick)

<b>Efficiency and Capacity</b>		
Water usage per cycle	3.5 gal	3.2 gal
ENERGY STAR® certified	No	Yes
Total annual energy consumption	269 kWh	240 kWh
Number of place settings	16	16

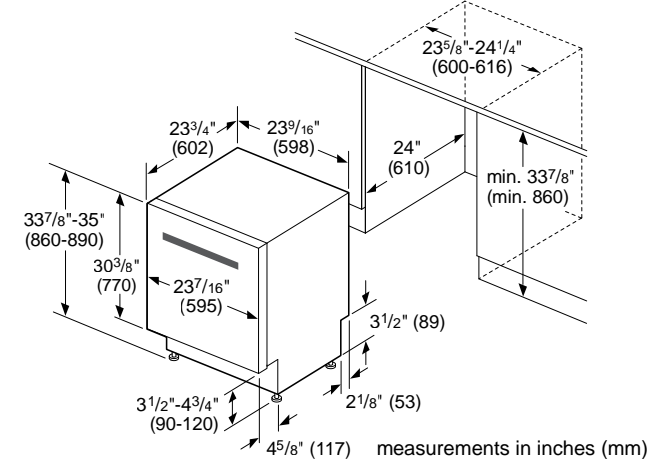
<b>Technical Data</b>		
Watts	1440 W	1440 W
Current / Volts / Frequency	12 Amps / 120 V / 60 Hz	12 Amps / 120 V / 60 Hz
Power cord full length	67"	67"
Power cord install length from edge of unit when facing the door	Left – 45" Right – 56"	Left – 45" Right – 56"
Minimum water pressure	14 lb/sin	14 lb/sin
Length outlet hose	78 3/4"	78 3/4"

<b>Dimensions &amp; Weight</b>		
Overall appliance dimensions (HxWxD)	33 7/8" x 23 9/16" x 23 3/4"	33 7/8" x 23 9/16" x 23 3/4"
Required cutout size (HxWxD)	33 7/8" x 24" x 24"	33 7/8" x 24" x 24"
Adjustable feet	Yes	Yes
Net weight	92 lbs	85 lbs

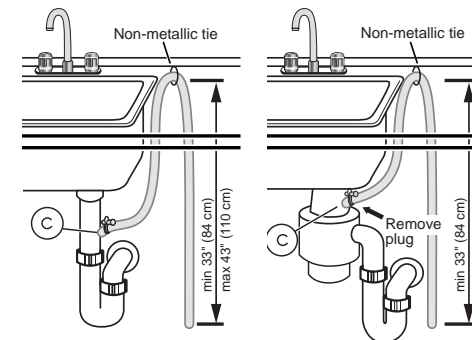
\*Certification to NSF/ANSI Standard 184 for residential dishwashers.

# 500 Series Dishwashers

## Dimensions and Cutout



## Plumbing

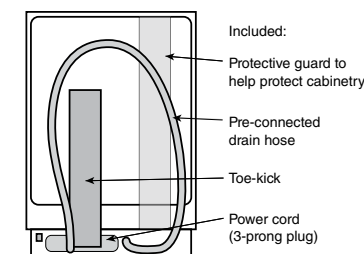


Note: Plumbing installations will vary - refer to local codes. Drain hose included is 79" (201 cm) and can be extended to a maximum of 155 3/4" (396 cm).

Always use the approved drain hose extension kit (SGZ1010UC).

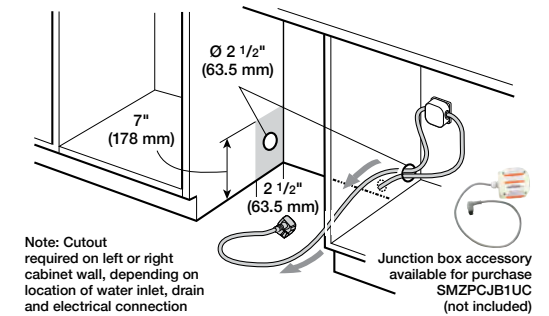
Ensure a portion of the drain hose is raised between min. 33" (84 cm) and max. 43" (110 cm) above the cabinet floor.

## Included Parts & Accessories

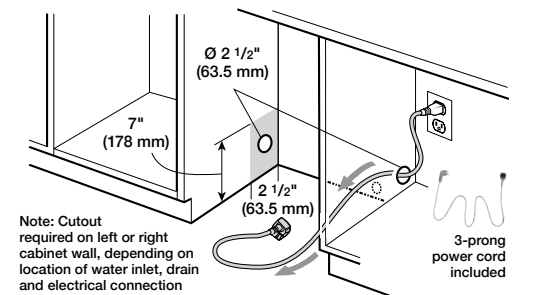


<b>Optional Accessories</b>							
<b>SMZPCJB1UC</b> Junction Box	<b>SMZ3IN1UC</b> Junction Box & Water Supply Hose Kit	<b>SMZSH1ABUC</b> Supply Hose Kit with Elbow	<b>SGZ1010UC</b> Drain Hose Extension Kit	<b>SMZ4000UC</b> Flexible Silverware Basket	<b>SMZ5000</b> Accessory Kit: Extra Tall Item Sprinkler, Vase and Bottle Holder, 3 Plastic Item Clips and Small Item Basket	<b>SMZ5002UC</b> Anti-Tarnish Silverware Cassette	<b>SMZEPCC1UC</b> Edge Protector & Power Cord Clip Install Kit

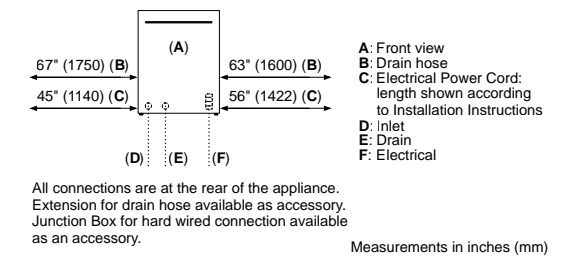
## Example of Hardwire Installation



## Example of Electrical Receptacle Installation



## Water and Electrical Locations



All connections are at the rear of the appliance. Extension for drain hose available as accessory. Junction Box for hard wired connection available as an accessory.

Measurements in inches (mm)



# 300 Series Dishwashers



**300 Series**  
**SHE53B75UC**

- 46 dBA
- PrecisionWash®
- Standard 3rd rack
- 24/7 AquaStop® Plus
- Water Softener



+ Indicates a step-up feature

\* Multiple colors available. See color chips to fill in missing digit.

**300 Series**

Recessed Handle – SHE53B75UC

**General Properties**

Number of wash cycles / options	6 / 6
dBA	46
Wash system	PrecisionWash®
Drying system	PureDry®
Third rack	Standard 3rd rack
Rack adjustability	RackMatic®
Tub material	Stainless steel
Control type	LED Backlit Buttons
Concealed water heating element	Yes
Leak protection system	24/7 AquaStop® Plus
Home Connect® (WiFi enabled)	Yes
NSF®-certified* sanitize option	Yes
Water softener	Yes
Five-level wash	Yes
Child Lock button suspension	Yes
Anti-Fingerprint finish	No
Special features	Extra Dry option, Speed 60 cycle
Toe kick	Stainless Steel

**Efficiency and Capacity**

Water usage per cycle	3.5 gal
ENERGY STAR® certified	No
Total annual energy consumption	269 kWh
Number of place settings	15

**Technical Data**

Watts	1440 W
Current / Volts / Frequency	12 Amps / 120 V / 60 Hz
Power cord full length	67"
Power cord install length from edge of unit when facing the door	Left – 47 1/4" Right – 47 1/4"
Minimum water pressure	14 lb/sin
Length outlet hose	74 3/4"

**Dimensions & Weight**

Overall appliance dimensions (HxWxD)	34 1/16" x 23 9/16" x 22 9/16"
Required cutout size (HxWxD)	34 1/16" x 24" x 24"
Adjustable feet	Yes
Net weight	90 lbs

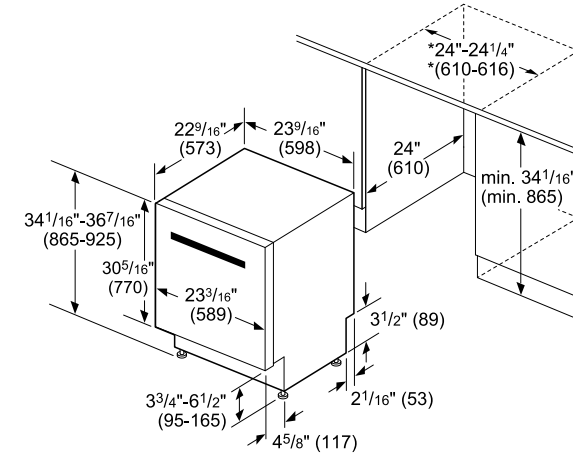
\* Certification to NSF/ANSI Standard 184 for residential dishwashers.

**Optional Accessories**

<b>SMZPCJB1UC</b> Junction Box	<b>SGZ1010UC</b> Drain Hose Extension Kit	<b>SMZ4000UC</b> Flexible Silverware Basket	<b>SMZ5000</b> Accessory Kit: Extra Tall Item Sprinkler, Vase and Bottle Holder, 3 Plastic Item Clips and Small Item Basket	<b>SMZEPCC1UC</b> Edge Protector + Power Cord Clip Install Kit
-----------------------------------	--	--	--	---

# 300 Series Dishwashers

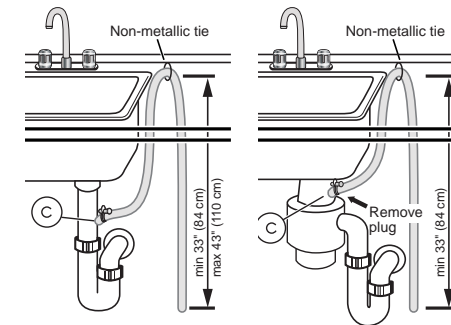
**Dimensions and Cutout**



\*23 5/8" (600) without decor strips

measurements in inches (mm)

**Plumbing**

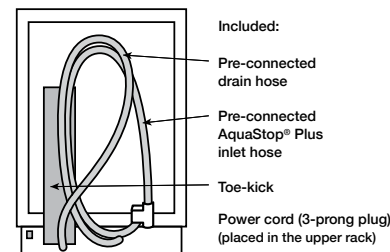


Note: Plumbing installations will vary - refer to local codes. Drain hose included is 79" (201 cm) and can be extended to a maximum of 155 3/4" (396 cm).

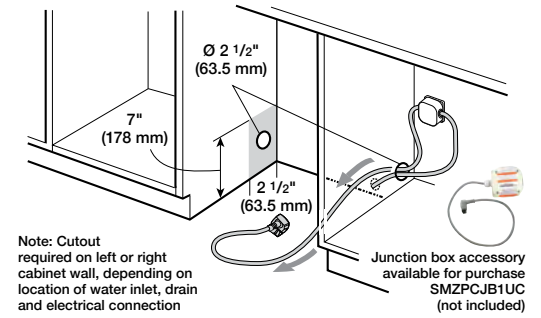
Always use the approved drain hose extension kit (SGZ1010UC).

Ensure a portion of the drain hose is raised between min. 33" (84 cm) and max. 43" (110 cm) above the cabinet floor.

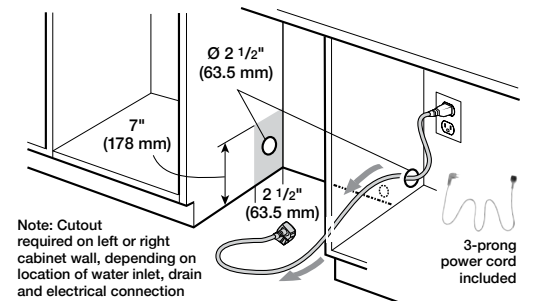
**Included Parts & Accessories**



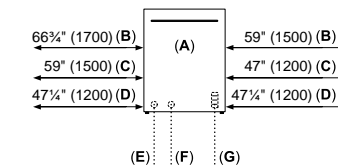
**Example of Hardwire Installation**



**Example of Electrical Receptacle Installation**



**Water and Electrical Locations**



All connections are located on the rear of the appliance. Extension for drain hose available as accessory. Junction Box for hard wired connection available as accessory.

- A: Front view
- B: Drain hose
- C: Water inlet hose
- D: Electrical Power Cord: length shown according to Installation Instructions
- E: Inlet
- F: Drain
- G: Power

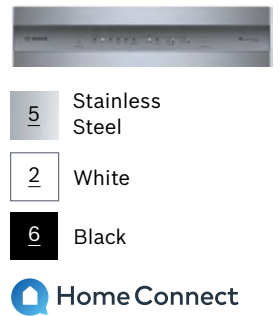
Measurements in inches (mm)



# 300 Series Dishwashers



- 300 Series**
- +46 dBA
  - 24/7 AquaStop®
  - Full Stainless Steel Tub
  - + EasyGlide® Racks on all 3 levels
  - PrecisionWash®
  - Standard 3rd Rack
- 5 Stainless Steel   
 2 White   
 6 Black
- Home Connect



- 300 Series**
- \*SHE41CM\_N
  - 48 dBA
  - + 24/7 AquaStop®
  - Full Stainless Steel Tub
  - PrecisionWash®
  - Wi-Fi Enabled Home Connect®
- 5 Stainless Steel   
 2 White   
 6 Black
- Home Connect

+ Indicates a step-up feature  
 \* Multiple colors available. See color chips to fill in missing digit.

300 Series	300 Series
Recessed Handle – *SHE53C8_N	Recessed Handle – *SHE41CM_N
Recessed Handle (ENERGY STAR®) – SHE53CE5N	
Bar Handle – SHX53CM5N	
Custom Panel – SHV53CM3N	
Scoop Handle – *SHS53CD_N	

General Properties		
Number of wash cycles / options	5 + 3 additional in Home Connect® / 3 + 4 additional in Home Connect®	5 + 3 additional in Home Connect® / 3 + 2 additional in Home Connect®
dBA	46	48
Wash system	PrecisionWash®	PrecisionWash®
Drying system	PureDry®	PureDry®
Third rack	Standard 3rd rack	No
Rack adjustability	RackMatic®	No
Tub material	Stainless steel	Stainless steel
Control type	Touch Controls	Touch Controls
Concealed water heating element	Yes	Yes
Leak protection system	24/7 AquaStop®	24/7 AquaStop®
Home Connect® (WiFi enabled)	Yes	Yes
NSF®-certified* sanitize option	Yes	Yes
Water softener	No	No
Five-level wash	Yes	Yes
Child Lock button suspension	Yes (Recessed handle models only)	Yes
Anti-Fingerprint finish	Yes (Stainless steel models only)	Yes
Special features	InfoLight®, Extra Dry Option	Extra Dry Option
Toe kick	Black (White models have white toe kick)	Black (White models have white toe kick)

Efficiency and Capacity		
Water usage per cycle	3.5 gal (SHE53CE5N 3.2 gal)	3.5 gal
ENERGY STAR® certified	SHE53CE5N Only	No
Total annual energy consumption	269 kWh (SHE53CE5N 240 kWh)	269 kWh
Number of place settings	16	12

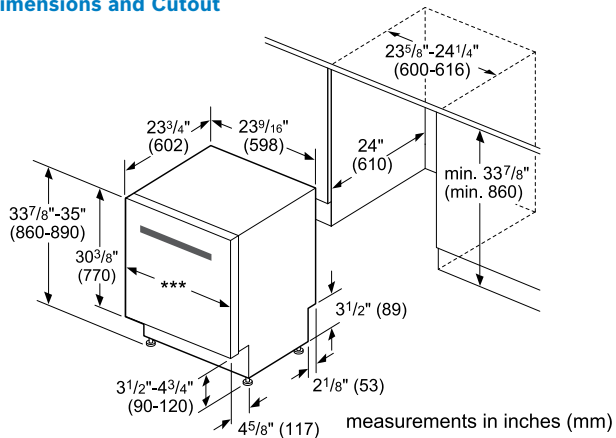
Technical Data		
Watts	1440 W	1440 W
Current / Volts / Frequency	12 Amps / 120 V / 60 Hz	12 Amps / 120 V / 60 Hz
Power cord full length	67"	67"
Power cord install length from edge of unit when facing the door	Left – 45" Right – 56"	Left – 45" Right – 56"
Minimum water pressure	14 lb/sin	14 lb/sin
Length outlet hose	78 3/4"	78 3/4"

Dimensions & Weight		
Overall appliance dimensions (HxWxD)	33 7/8" x 23 9/16" x 23 3/4" (Custom panel D: 23 1/16")	33 7/8" x 23 9/16" x 23 3/4"
Required cutout size (HxWxD)	33 7/8" x 24" x 24"	33 7/8" x 24" x 24"
Adjustable feet	Yes	Yes
Net weight	81 lbs (Custom panel: 78 lbs)	85 lbs

\*Certification to NSF/ANSI Standard 184 for residential dishwashers.

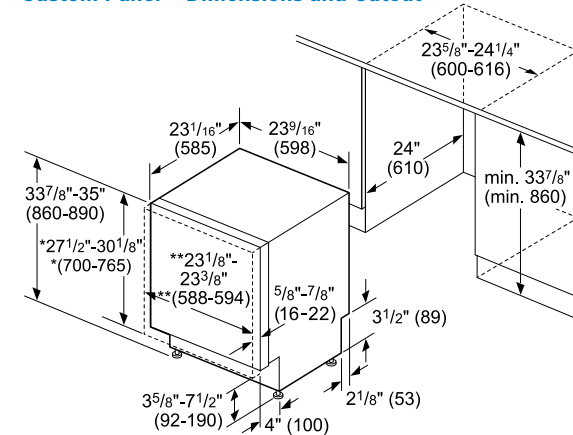
# 300 Series Dishwashers

## Dimensions and Cutout



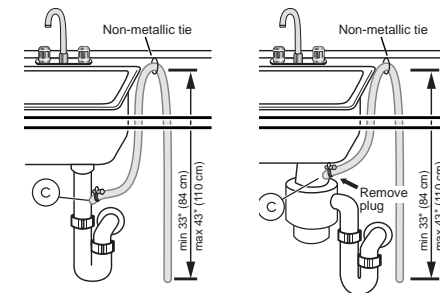
\*\*\*Recessed & Bar Handle Models: 23 7/16" (595)  
 Scoop Handle Models: 23 3/16" (589)

## Custom Panel – Dimensions and Cutout



\* measured from the bottom edge of the countertop panel thickness recommended 3/4" (20 mm).  
 This dishwasher can accept custom door panel weights ranging from 7 to 24 lbs; however, the dishwasher comes from the factory ready for custom panel door weights from 7 to 18 lbs. If you plan on using a door panel that is not 7 to 18 lbs, please contact customer service at (800) 944-2904.  
 \*\* 24" (610 mm) wide panel may be used depending on cabinet design  
 Note: Refer to installation template for mounting hardware locations

## Plumbing



Note: Plumbing installations will vary - refer to local codes. Drain hose included is 79" (201 cm) and can be extended to a maximum of 155 3/4" (396 cm).

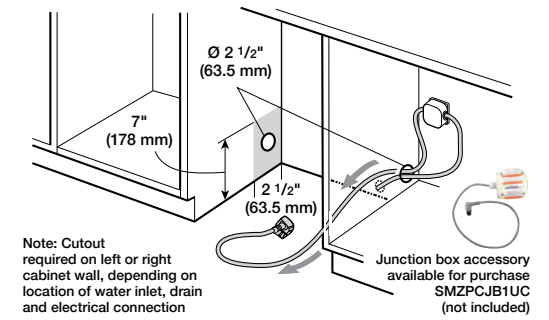
Always use the approved drain hose extension kit (SGZ1010UC).

Ensure a portion of the drain hose is raised between min. 33" (84 cm) and max. 43" (110 cm) above the cabinet floor.

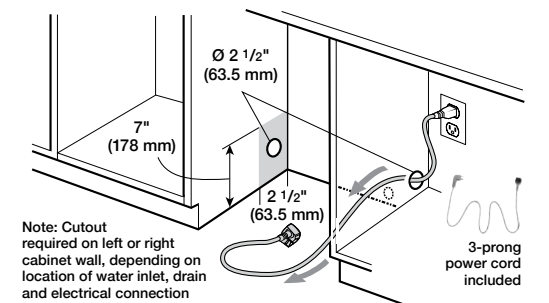
## Optional Accessories

- |                                   |  |   |  |  |  |  |   |
|-----------------------------------|--|---|--|--|--|--|---|
| <b>SMZPCJB1UC</b><br>Junction Box | <b>SMZ3IN1UC</b><br>Junction box & Water Supply Hose Kit | <b>SMZSH1ABUC</b><br>Supply Hose Kit with Elbow | <b>SGZ1010UC</b><br>Drain Hose Extension Kit | <b>SMZ4000UC</b><br>Flexible Silverware Basket | <b>SMZ5000</b><br>Accessory Kit: Extra Tall Item Sprinkler, Vase and Bottle Holder, 3 Plastic Item Clips and Small Item Basket | <b>SMZ5002UC</b><br>Anti-Tarnish Silverware Cassette | <b>SMZEPCC1UC</b><br>Edge Protector + Power Cord Clip Install Kit |
|-----------------------------------|--|---|--|--|--|--|---|

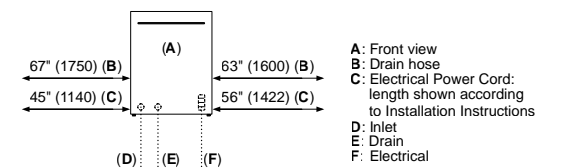
## Example of Hardwire Installation



## Example of Electrical Receptacle Installation

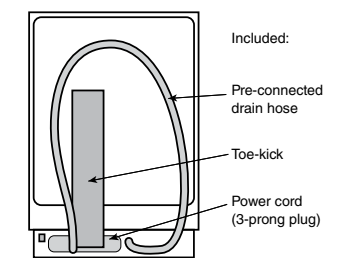


## Water and Electrical Locations



All connections are at the rear of the appliance. Extension for drain hose available as accessory. Junction Box for hard wired connection available as an accessory.

## Included Parts & Accessories



# 100 Series Dishwashers



**100 Series Premium** **\*SHX5AEM\_N** Home Connect

- 5 Stainless Steel
- 2 White
- 4 Black Stainless Steel
- 6 Black

- +46 dBA
- +Standard 3rd Rack
- +InfoLight®
- +Bar Handle
- 3-Level Rackmatic®

+ Indicates a step-up feature

**100 Series Premium**

Bar Handle – \*SHX5AEM\_N

**General Properties**

Number of wash cycles / options	5 + 3 additional in Home Connect® / 3 + 4 additional in Home Connect®
dBA	46
Wash system	PrecisionWash®
Drying system	PureDry®
Third rack	Standard 3rd rack
Rack adjustability	RackMatic®
Tub material	Stainless steel / polypropylene
Control type	Touch controls
Concealed water heating element	Yes
Leak protection system	24/7 Overflow Protection
NSF®-certified* sanitize option	Yes
Water softener	No
Five-level wash	Yes
Child Lock button suspension	No
Home Connect® (Wi-Fi enabled)	Yes
Anti-Fingerprint Finish	Yes (Stainless steel and Black stainless steel only)
Special features	InfoLight®
Toe kick	Black (White model has white toe kick)

**Efficiency and Capacity**

Water usage per cycle	3.5 gal
ENERGY STAR® certified	No
Total annual energy consumption	269 kWh
Number of place settings	15

**Technical Data**

Watts	1440 W
Current / Volts / Frequency	12 Amps / 120 V / 60 Hz
Power cord full length	67"
Power cord install length from edge of unit when facing the door	Left – 45" Right – 50"
Minimum water pressure	14 lb/sin
Length outlet hose	90 1/2"

**Dimensions & Weight**

Overall appliance dimensions (HxWxD)	33 7/8" x 23 9/16" x 22 9/16"
Required cutout size (HxWxD)	33 7/8" x 24" x 24"
Adjustable feet	Yes
Net weight	67 lbs

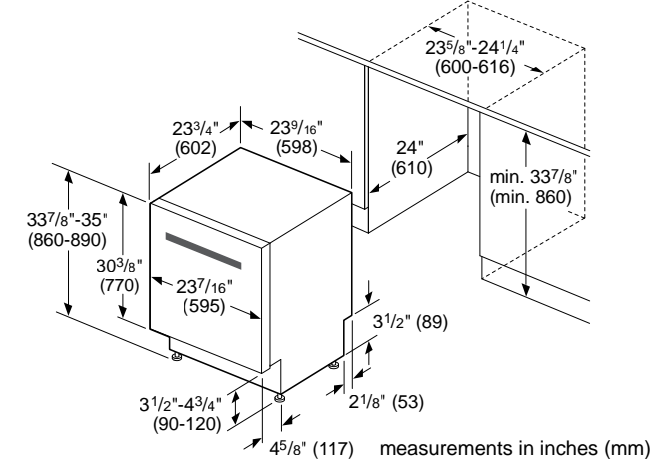
\*Certification to NSF/ANSI Standard 184 for residential dishwashers.

**Optional Accessories**

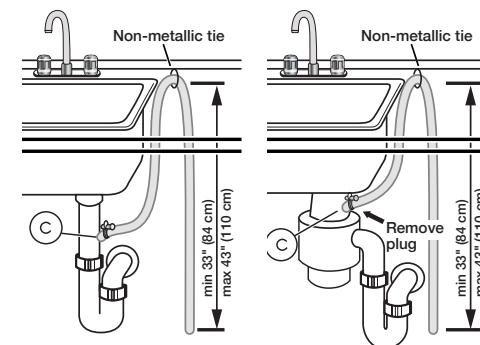
<b>SMZPCJB1UC</b> Junction Box	<b>SMZ3IN1UC</b> Junction box & Water Supply Hose Kit	<b>SMZSH1ABUC</b> Supply Hose Kit with Elbow	<b>SGZ1010UC</b> Drain Hose Extension Kit	<b>SMZ5000</b> Accessory Kit: Extra Tall Item Sprinkler, Vase and Bottle Holder, 3 Plastic Item Clips and Small Item Basket	<b>SMZ4000UC</b> Flexible Silverware Basket	<b>SMZEPCC1UC</b> Edge Protector + Power Cord Clip Install Kit
-----------------------------------	--	---	--	--	--	---

# 100 Series Dishwashers

**Dimensions and Cutout**

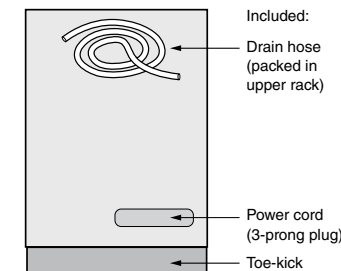


**Plumbing**

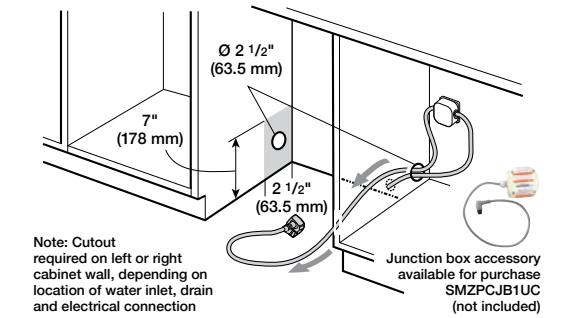


Note: Plumbing installations will vary - refer to local codes. Drain hose included is 90 1/2" (230 cm) and can be extended to a maximum of 168 1/2" (428 cm). Always use the approved drain hose extension kit (SGZ1010UC). Ensure a portion of the drain hose is raised between min. 33" (84 cm) and max. 43" (110 cm) above the cabinet floor.

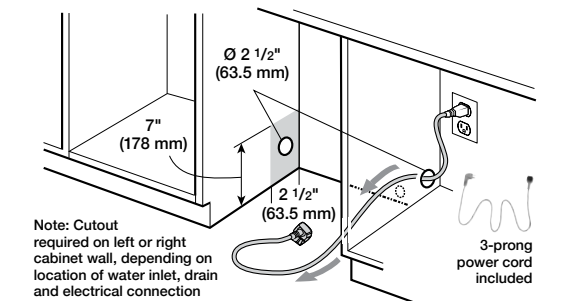
**Included Parts & Accessories**



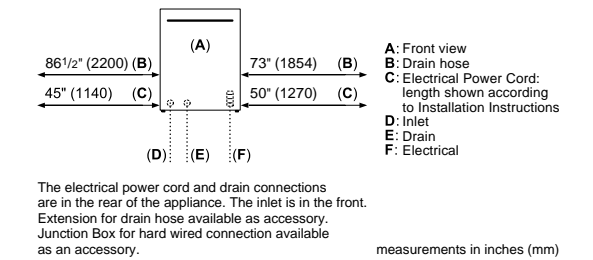
**Example of Hardwire Installation**



**Example of Electrical Receptacle Installation**



**Water and Electrical Locations**



# 100 Series Dishwashers



**100 Series**  
\*SHE3AEM\_N  
SHE3AEE5N

- + 50 dBA
- + PrecisionWash®
- + 24/7 Overflow Protection
- + Anti-Fingerprint Stainless Steel
- + Wi-Fi Enabled Home Connect®



**5** Stainless Steel **2** White

**6** Black

+ Indicates a step-up feature

\* Multiple colors available. See color chips to fill in missing digit.

**100 Series**

Recessed Handle – \*SHE3AEM\_N  
Recessed Handle – SHE3AEE5N

**General Properties**

Number of wash cycles / options	5 + 3 additional in Home Connect® / 3 + 4 additional in Home Connect®
dBA	50
Wash system	PrecisionWash®
Drying system	PureDry®
Third rack	No
Rack adjustability	None
Tub material	Stainless steel / polypropylene
Control type	Touch controls
Concealed water heating element	Yes
Leak protection system	24/7 Overflow Protection
NSF®-certified* sanitize option	Yes
Water softener	No
Five-level wash	Yes
Child Lock button suspension	Yes
Home Connect® (Wi-Fi enabled)	Yes
Anti-Fingerprint Finish	Yes (Stainless steel models only)
Special features	
Toe kick	Black (SHE3AEM2N has White)

**Efficiency and Capacity**

Water usage per cycle	3.5 gal / 3.2 gal
ENERGY STAR® certified	No / Yes (SHE3AEE5N Only)
Total annual energy consumption	269 kWh / 240 kWh
Number of place settings	14

**Technical Data**

Watts	1440 W
Current / Volts / Frequency	12 Amps / 120 V / 60 Hz
Power cord full length	67"
Power cord install length from edge of unit when facing the door	Left – 45" Right – 50"
Minimum water pressure	14 lb/sin
Length outlet hose	90 1/2"

**Dimensions & Weight**

Overall appliance dimensions (HxWxD)	33 7/8" x 23 9/16" x 22 9/16"
Required cutout size (HxWxD)	33 7/8" x 24" x 24"
Adjustable feet	Yes
Net weight	62 lbs / 64 lbs

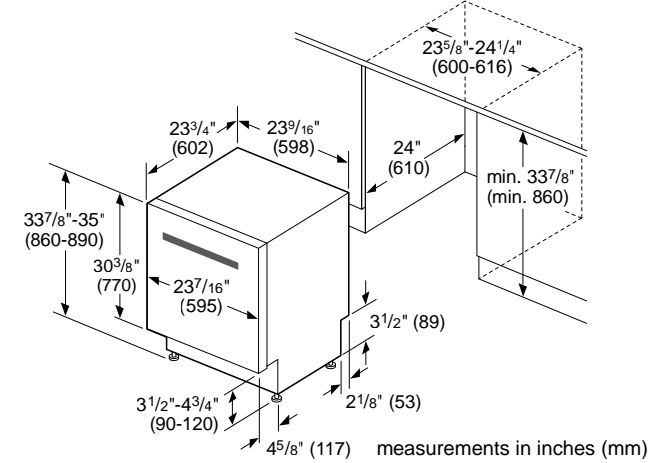
\*Certification to NSF/ANSI Standard 184 for residential dishwashers.

**Optional Accessories**

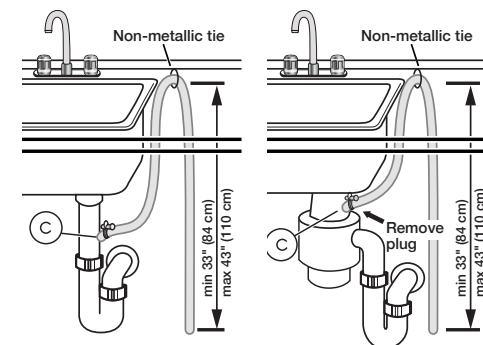
<b>SMZPCJB1UC</b> Junction Box	<b>SMZ3IN1UC</b> Junction box & Water Supply Hose Kit	<b>SMZSH1ABUC</b> Supply Hose Kit with Elbow	<b>SGZ1010UC</b> Drain Hose Extension Kit	<b>SMZ5000</b> Accessory Kit: Extra Tall Item Sprinkler, Vase and Bottle Holder, 3 Plastic Item Clips and Small Item Basket	<b>SMZ4000UC</b> Flexible Silverware Basket	<b>SMZEPCC1UC</b> Edge Protector + Power Cord Clip Install Kit
-----------------------------------	--	---	--	--	--	---

# 100 Series Dishwashers

**Dimensions and Cutout**



**Plumbing**

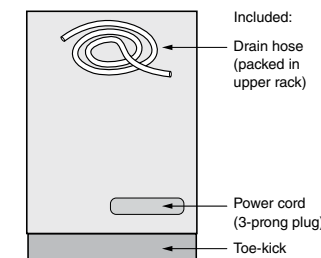


Note: Plumbing installations will vary - refer to local codes. Drain hose included is 90 1/2" (230 cm) and can be extended to a maximum of 168 1/2" (428 cm).

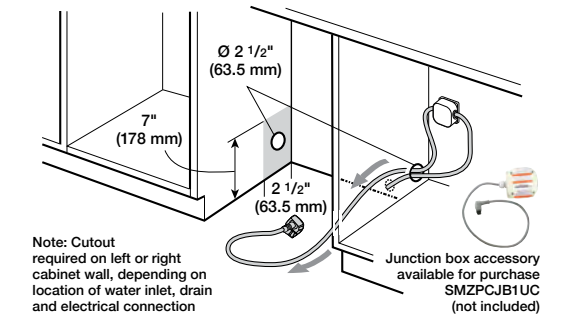
Always use the approved drain hose extension kit (SGZ1010UC).

Ensure a portion of the drain hose is raised between min. 33" (84 cm) and max. 43" (110 cm) above the cabinet floor.

**Included Parts & Accessories**

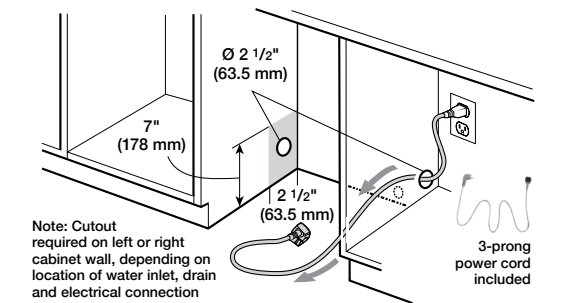


**Example of Hardwire Installation**



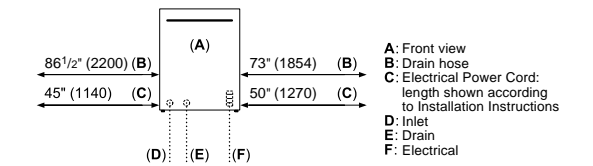
Note: Cutout required on left or right cabinet wall, depending on location of water inlet, drain and electrical connection. Junction box accessory available for purchase SMZPCJB1UC (not included).

**Example of Electrical Receptacle Installation**



Note: Cutout required on left or right cabinet wall, depending on location of water inlet, drain and electrical connection. 3-prong power cord included.

**Water and Electrical Locations**



The electrical power cord and drain connections are in the rear of the appliance. The inlet is in the front. Extension for drain hose available as accessory. Junction Box for hard wired connection available as an accessory.



# 18-Inch ADA-Compliant Dishwashers



**18-Inch ADA 300 Series**  
**SPE53C55UC**

Check inventory availability

- 46 dBA
- 5 Cycles / 5 Options
- Standard 3rd Rack
- 24/7 AquaStop® Plus
- Delay Start Timer



**18-Inch ADA 800 Series**  
**SPE68C75UC**  
**SPX68C75UC**  
**SPV68C73UC**



- +44 dBA
- +6 Cycles / 5 Options
- +Delicate Cycle
- +CrystalDry™

+ Indicates a step-up feature

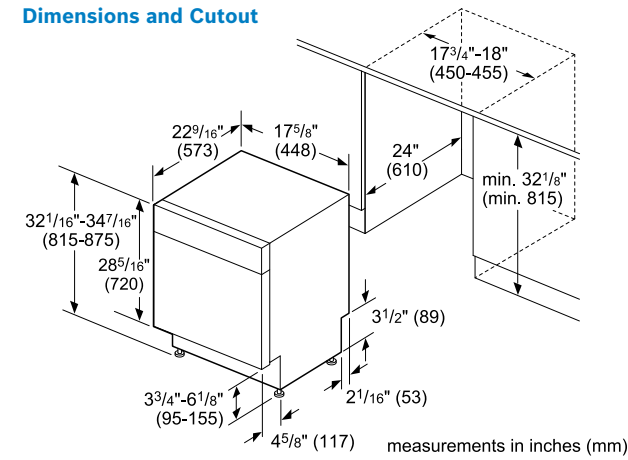
\* Multiple colors available. See color chips to fill in missing digit.

	18-Inch ADA 300 Series	18-Inch ADA 800 Series
	Recessed Handle – SPE53C55UC	Recessed Handle – SPE68C75UC Bar Handle – SPX68C75UC Custom Panel – SPV68C73UC
<b>General Properties</b>		
Number of wash cycles / options	5 / 5	6 / 5
Special program	Machine Care	Machine Care
dBA	46	44
Wash system	PrecisionWash®	PrecisionWash®
Drying system	PureDry®	CrystalDry™
Third rack	Yes	Standard 3rd rack
Rack adjustability	RackMatic®	RackMatic®
Tub material	Stainless steel	Stainless steel
Control type	Buttons	Buttons
Concealed water heating element	Yes	Yes
Leak protection system	24/7 AquaStop® Plus	24/7 AquaStop® Plus
NSF®-certified* sanitize option	Yes	Yes
Water softener	No	No
Five-level wash	Yes	Yes
Child Lock button suspension	Yes	Yes (Recessed handle models only)
Home Connect® (Wi-Fi enabled)	Yes	Yes
Anti-Fingerprint Finish	No	No
Special features	24h delay start timer, Favorite button	InfoLight® (Bar handle and custom panel models only), Favorite button
Toe kick	Black	Black
<b>Efficiency and Capacity</b>		
Water usage per cycle	3.2 gal	2.7 gal
ENERGY STAR® certified	Yes	Yes
Total annual energy consumption	240 kWh	240 kWh
Number of place settings	10	10
<b>Technical Data</b>		
Watts	1440 W	1440 W
Current / Volts / Frequency	12 Amps / 120 V / 60 Hz	12 Amps / 120 V / 60 Hz
Power cord length	67"	67"
Power cord install length from edge of unit when facing the door	Left – 51" Right – 51"	Left – 51" Right – 51"
Minimum water pressure	7 lb/sin	7 lb/sin
Length inlet / outlet hose	65" / 80 5/8"	65" / 80 5/8"
<b>Dimensions &amp; Weight</b>		
ADA-Compliant	Yes	Yes
Overall appliance dimensions (HxWxD)	32 1/16" x 17 5/8" x 22 9/16"	32 1/16" x 17 5/8" x 22 9/16" (Custom panel D: 21 5/8")
Required cutout size (HxWxD)	32 1/8" x 17 3/4" x 24"	32 1/8" x 17 3/4" x 24" (Custom panel D: min. 22 7/16")
Adjustable feet	Yes	Yes
Net weight	72 lbs	75 / 82 / 76 lbs

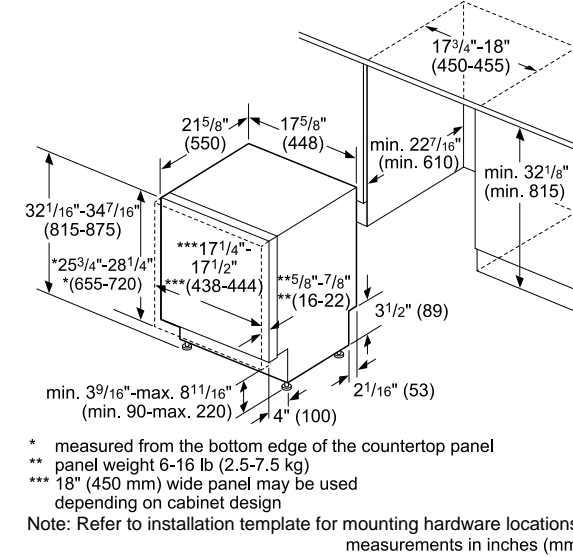
\* Certification to NSF/ANSI Standard 184 for residential dishwashers.

# 18-Inch ADA-Compliant Dishwashers

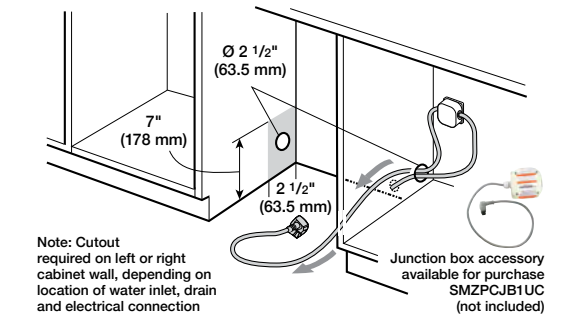
## Dimensions and Cutout



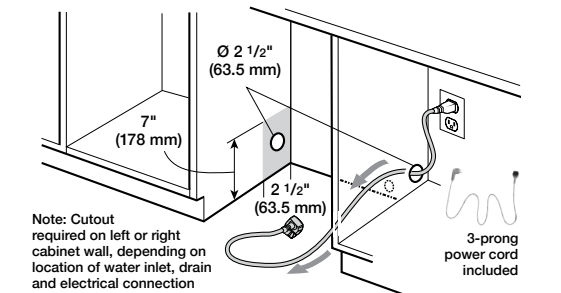
## Custom Panel – Dimensions and Cutout



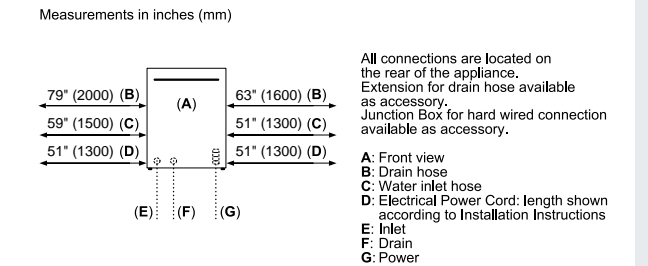
## Example of Hardwire Installation



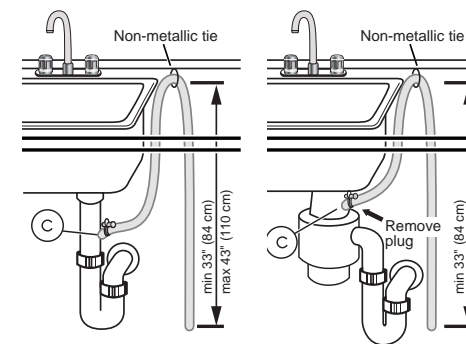
## Example of Electrical Receptacle Installation



## Water and Electrical Locations



## Plumbing

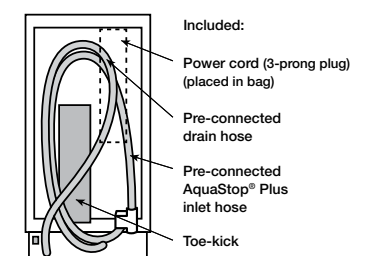


Note: Plumbing installations will vary - refer to local codes. Drain hose included is 79" (201 cm) and can be extended to a maximum of 155 3/4" (396 cm).

Always use the approved drain hose extension kit (SGZ1010UC).

Ensure a portion of the drain hose is raised between min. 33" (84 cm) and max. 43" (110 cm) above the cabinet floor.

## Included Parts & Accessories



## Optional Accessories

<b>SMZ3IN1UC</b> Junction box & Water Supply Hose Kit	<b>SMZPCJB1UC</b> Junction box	<b>SGZ1010UC</b> Drain Hose Extension Kit	<b>SMZ5003</b> Hinge for 4" Toe-kick Height Installation	<b>SMZEPCC1UC</b> Edge Protector + Power Cord Clip Install Kit	<b>SMZ5000</b> Accessory Kit: Extra Tall Item Sprinkler, Vase and Bottle Holder, 3 Plastic Item Clips and Small Item Basket
--	-----------------------------------	--	---	---	--





# 24-Inch ADA-Compliant Dishwashers



**24-Inch ADA 300 Series**  
**SGV43C53UC**



Available Jan. 2025

- 48 dBA
- 5 Cycles / 5 Options
- Water Softener
- 24/7 AquaStop® Plus
- Delay Start Timer



**24-Inch ADA 300 Series**  
**SGE53C55UC**



- +46 dBA
- +5 Cycles / 6 Options
- Water Softener
- 24/7 AquaStop® Plus
- Delay Start Timer

+ Indicates a step-up feature

	24-Inch ADA 300 Series	24-Inch ADA 300 Series
	Custom Panel – SGV78C53UC	Recessed Handle – SGE53C55UC

### General Properties

Number of wash cycles / options	5 / 5	5 / 6
Special Program	Machine Care	Machine Care
dBA	48	46
Wash system	PrecisionWash®	PrecisionWash®
Drying system	PureDry®	PureDry®
Third rack	No	No
Rack adjustability	3-step RackMatic®	3-step RackMatic®
Tub material	Stainless steel	Stainless steel
Control type	Buttons	Buttons
Concealed water heating element	Yes	Yes
Leak protection system	24/7 AquaStop® Plus	24/7 AquaStop® Plus
NSF®-certified* sanitize option	No	Yes
Water softener	Yes	Yes
Five-level wash	Yes	Yes
Child Lock button suspension	No	Yes
Home Connect® (Wi-Fi enabled)	Yes	Yes
Anti-Fingerprint Finish	No	No
Special features	24h delay start, Favorite button	24h delay start, Favorite button
Toe kick	Black	Black

### Efficiency and Capacity

Water usage per cycle	3.2 gal	3.2 gal
ENERGY STAR® certified	Yes	Yes
Total annual energy consumption	240 kWh	240 kWh
Number of place settings	13	13

### Technical Data

Watts	1440 W	1440 W
Current / Volts / Frequency	12 Amps / 120 V / 60 Hz	12 Amps / 120 V / 60 Hz
Power cord length	67"	67"
Power cord install length from edge of unit when facing the door	Left – 47 1/4" Right – 47 1/4"	Left – 47 1/4" Right – 47 1/4"
Minimum water pressure	7 lb/sin	7 lb/sin
Length inlet / outlet hose	65" / 74 3/4"	65" / 74 3/4"

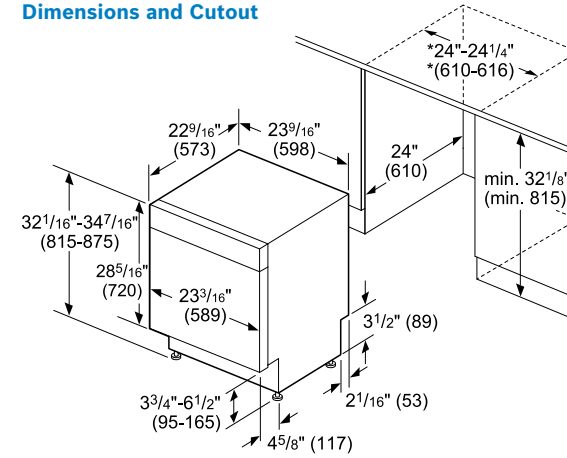
### Dimensions & Weight

ADA-Compliant	Yes	Yes
Overall appliance dimensions (HxWxD)	32 1/16" x 23 9/16" x 21 5/8"	32 1/16" x 23 9/16" x 22 9/16"
Required cutout size (HxWxD)	32 1/8" x 24" x 24"	32 1/8" x 24" x 24"
Adjustable feet	Yes	Yes
Net weight	83 lbs	83 lbs

\* Certification to NSF/ANSI Standard 184 for residential dishwashers.

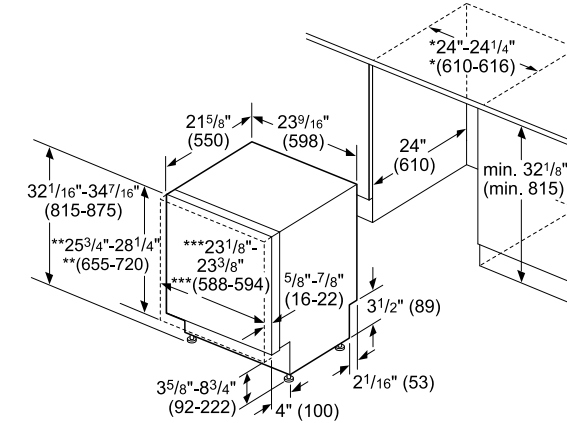
# 24-Inch ADA-Compliant Dishwashers

### Dimensions and Cutout



\* 23 5/8" (600) without decor strips measurements in inches (mm)

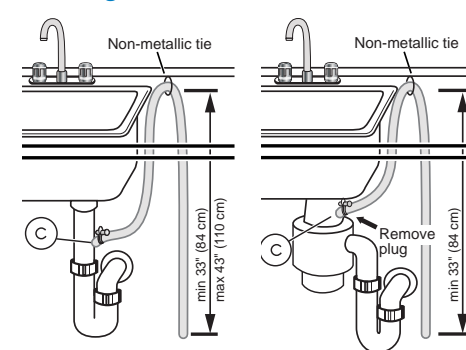
### Custom Panel – Dimensions and Cutout



\* 23 5/8" (600 mm) without decor strips  
\*\* measured from the bottom edge of the countertop panel thickness recommended 3/4" (20 mm), panel weight 6-18 lbs (2.5-8.5 kg)  
\*\*\* 24" (610 mm) wide panel may be used depending on cabinet design

measurements in inches (mm)

### Plumbing



Note: Plumbing installations will vary - refer to local codes. Drain hose included is 79" (201 cm) and can be extended to a maximum of 155 3/4" (396 cm).

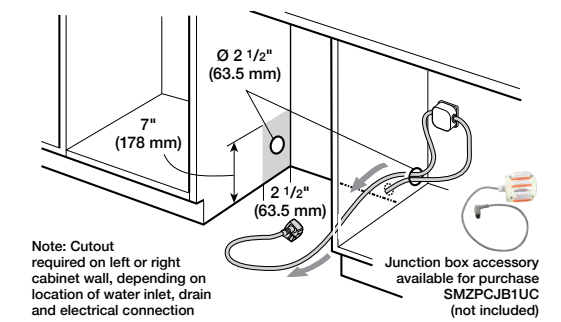
Always use the approved drain hose extension kit (SGZ1010UC).

Ensure a portion of the drain hose is raised between min. 33" (84 cm) and max. 43" (110 cm) above the cabinet floor.

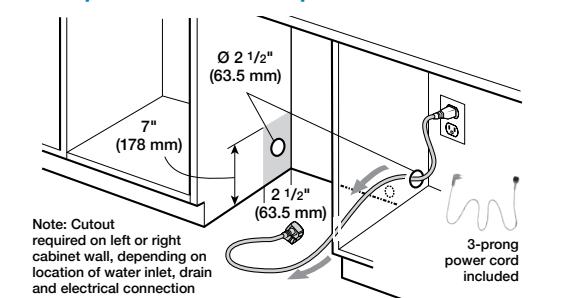
### Optional Accessories

<b>SMZ3IN1UC</b> Junction box & Water Supply Hose Kit	<b>SMZPCJB1UC</b> Junction Box	<b>SGZ1010UC</b> Drain Hose Extension Kit	<b>SMZ5000</b> Accessory Kit: Extra Tall Item Sprinkler, Vase and Bottle Holder, 3 Plastic Item Clips and Small Item Basket	<b>SMZ5002UC</b> Anti-Tarnish Silverware Cassette	<b>SMZEPCC1UC</b> Edge Protector + Power Cord Clip Install Kit
--	-----------------------------------	--	--	--	---

### Example of Hardwire Installation

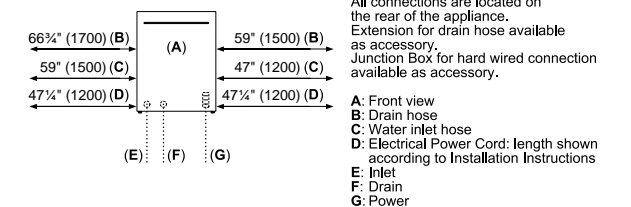


### Example of Electrical Receptacle Installation

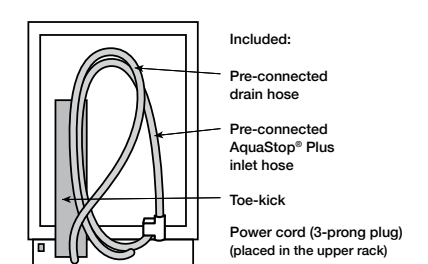


### Water and Electrical Locations

Measurements in inches (mm)



### Included Parts & Accessories



# 24-Inch ADA-Compliant Dishwashers



**24-Inch ADA 800 Series**  
**SGX78C55UC**  
**SGV78C53UC**  
 +42 dBA  
 +6 Cycles / 5 Options  
 +CrystalDry™  
 +Standard 3rd Rack



+ Indicates a step-up feature

**24-Inch ADA 800 Series**

Bar Handle – SGX78C55UC  
 Custom Panel – SGV78C53UC

**General Properties**

Number of wash cycles / options	6 / 5
Special Program	Machine Care
dBA	42
Wash system	PrecisionWash*
Drying system	CrystalDry™ option
Third rack	Standard 3rd rack
Rack adjustability	3-step RackMatic®
Tub material	Stainless steel
Control type	Buttons
Concealed water heating element	Yes
Leak protection system	24/7 AquaStop® Plus
NSF®-certified* sanitize option	Yes
Water softener	Yes
Five-level wash	Yes
Child Lock button suspension	Yes (Recessed handle models only)
Home Connect® (Wi-Fi enabled)	Yes
Anti-Fingerprint Finish	No
Special features	InfoLight® (Bar handle and custom panel models only), Favorite button
Toe kick	Black

**Efficiency and Capacity**

Water usage per cycle	3.2 gal
ENERGY STAR® certified	Yes
Total annual energy consumption	240 kWh
Number of place settings	15

**Technical Data**

Watts	1440 W
Current / Volts / Frequency	12 Amps / 120 V / 60 Hz
Power cord length	67"
Power cord install length from edge of unit when facing the door	Left – 47 1/4" Right – 47 1/4"
Minimum water pressure	7 lb/sin
Length inlet / outlet hose	65" / 74 3/4"

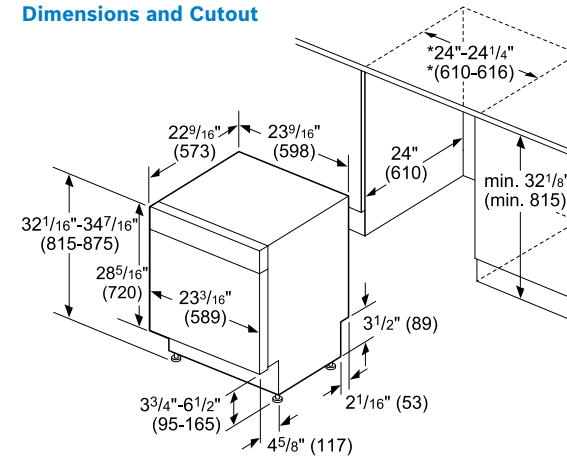
**Dimensions & Weight**

ADA-Compliant	Yes
Overall appliance dimensions (HxWxD)	32 1/16" x 23 9/16" x 22 9/16" (Custom panel D: 21 5/8")
Required cutout size (HxWxD)	32 1/8" x 24" x 24"
Adjustable feet	Yes
Net weight	83 lbs

\*Certification to NSF/ANSI Standard 184 for residential dishwashers.

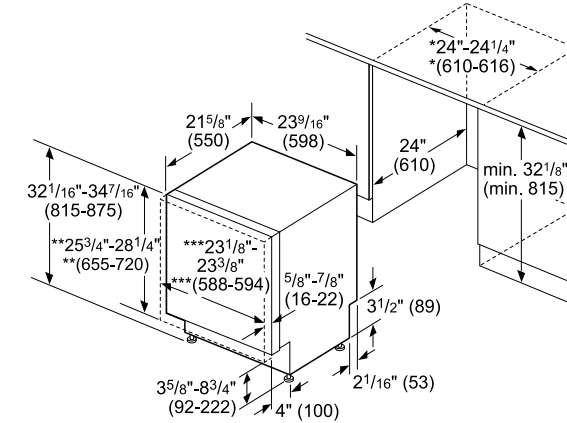
# 24-Inch ADA-Compliant Dishwashers

**Dimensions and Cutout**



\* 23 5/8" (600) without decor strips measurements in inches (mm)

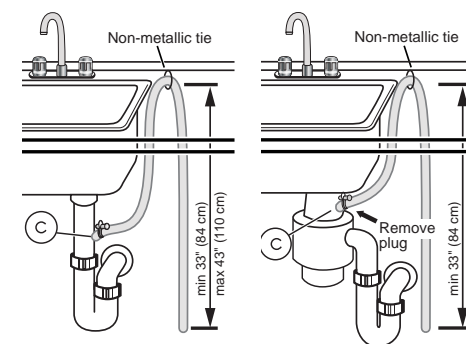
**Custom Panel – Dimensions and Cutout**



\* 23 5/8" (600 mm) without decor strips  
 \*\* measured from the bottom edge of the countertop panel thickness recommended 3/4" (20 mm), panel weight 6-18 lbs (2.5-8.5 kg)  
 \*\*\* 24" (610 mm) wide panel may be used depending on cabinet design

measurements in inches (mm)

**Plumbing**



Note: Plumbing installations will vary - refer to local codes. Drain hose included is 79" (201 cm) and can be extended to a maximum of 155 3/4" (396 cm).

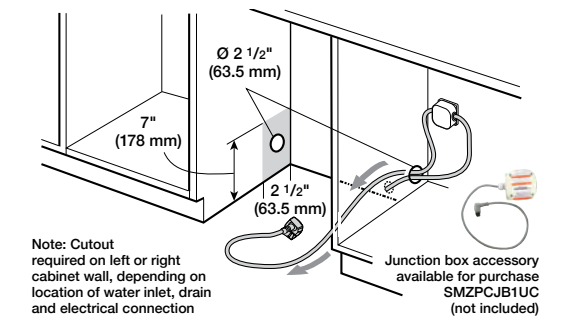
Always use the approved drain hose extension kit (SGZ1010UC).

Ensure a portion of the drain hose is raised between min. 33" (84 cm) and max. 43" (110 cm) above the cabinet floor.

**Optional Accessories**

<b>SMZ3IN1UC</b> Junction box & Water Supply Hose Kit	<b>SMZPCJB1UC</b> Junction Box	<b>SGZ1010UC</b> Drain Hose Extension Kit	<b>SMZ5000</b> Accessory Kit: Extra Tall Item Sprinkler, Vase and Bottle Holder, 3 Plastic Item Clips and Small Item Basket	<b>SMZ5002UC</b> Anti-Tarnish Silverware Cassette	<b>SMZEPCC1UC</b> Edge Protector + Power Cord Clip Install Kit
--	-----------------------------------	--	--	--	---

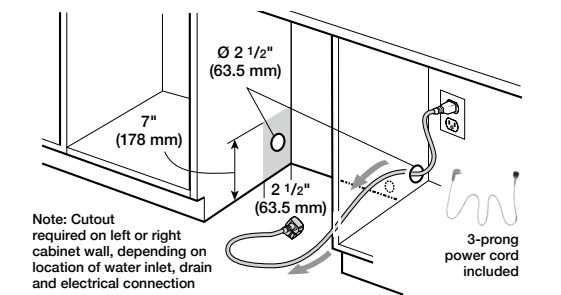
**Example of Hardwire Installation**



Note: Cutout required on left or right cabinet wall, depending on location of water inlet, drain and electrical connection

Junction box accessory available for purchase SMZPCJB1UC (not included)

**Example of Electrical Receptacle Installation**

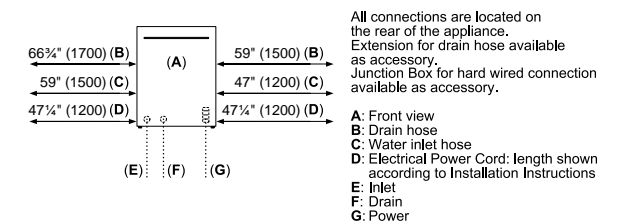


Note: Cutout required on left or right cabinet wall, depending on location of water inlet, drain and electrical connection

3-prong power cord included

**Water and Electrical Locations**

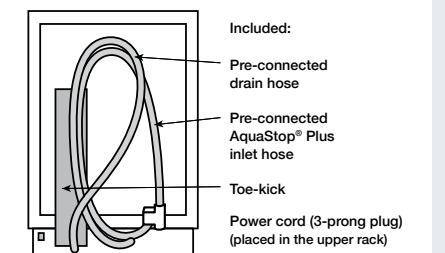
Measurements in inches (mm)



All connections are located on the rear of the appliance. Extension for drain hose available as accessory. Junction Box for hard wired connection available as accessory.

A: Front view  
 B: Drain hose  
 C: Water inlet hose  
 D: Electrical Power Cord: length shown according to Installation Instructions  
 E: Inlet  
 F: Drain  
 G: Power

**Included Parts & Accessories**





# Refrigerators

Bosch refrigerators feature a sleek, stainless steel exterior and an equally stunning interior that spares no detail. Enjoy a best-in-class freshness system. Bountiful fresh filtered ice, replenished fast. And a refreshment center that doubles as a built-in wine cellar. Form and function, evolved.

Never run out of ice with the QuickIce Pro System™. Introducing the industry's fastest refrigerator ice maker, that makes up to 12 lbs. of ice per day.\*

Innovative VitaFresh® technology helps keep food fresh up to 3x longer\*\*, while the adjustable FlexBar® creates extra space in your refrigerator and is completely adaptable to you and your needs.

Explore Bosch built-in and freestanding refrigerators and discover how they blend effortlessly into any kitchen space.

\*Based on single ice maker production rates during a 24-hour period, measured per IEC standard, manufacturer user's manuals and product specifications, for brands identified in US Yipit Top 10 as freestanding French door bottom mount refrigerators.

\*\*As compared to a Bosch refrigerator without VitaFresh®. Results may vary among different foods.



# Benchmark™ Series Refrigerators

include these features:



## Flush Installation

Bosch built-in refrigerators offer the ultimate integrated look for your kitchen. The unique Optiflex® hinge design allows for flush installation, for full integration with your kitchen cabinets.



[Learn More](#)

## VitaFresh® System

The innovative VitaFresh® system is designed to extend the preservation of your food with precise temperature and humidity control.



## Dual Compressors and Evaporators

Bosch built-in refrigerators feature dual compressors and evaporators in the refrigerator and freezer sections, optimizing freshness. Not only do they provide more accurate temperature and humidity control, they also help to prevent freezer burn and odor transfer.



## LED Lighting Bars

Our redesigned vertical LED lighting bars clearly illuminate refrigerator contents.



## ENERGY STAR® Certified

Our energy efficient Benchmark™ Series refrigerators are ENERGY STAR® certified and designed to use less energy without sacrificing features.



# Benchmark™ Series Built-in Single Door Refrigerator / Freezer


**Benchmark™ Series B30IR905SP**  
**30" Built-in Custom Panel Single Door Refrigerator**

- 29 3/4" W x 84" H
- Custom Panel Ready
- Installs Either Completely Flush or Framed
- Home Connect®
- LED Sidewall Lighting
- Optiflex® Hinge



**Benchmark™ Series B18IF905SP**  
**18" Built-in Custom Panel Single Door Freezer**

- 17 3/4" W x 84" H
- Custom Panel Ready
- Installs Either Completely Flush or Framed
- Home Connect®
- LED Sidewall Lighting
- Optiflex® Hinge



	Benchmark™ Series 30" Single Door Refrigerator	Benchmark™ Series 18" Single Door Freezer
	Custom Panel – B30IR905SP	Custom Panel – B18IF905SP
<b>General Properties</b>		
Home Connect® (Wi-Fi Enabled)	Yes	Yes
Reversible door hinge	Yes	Yes
Water filter	No	UltraClarityPro®
Lighting	LED sidewall	LED sidewall
Defrost process	Frost-free	Automatic
Number of shelves	7	6
Number of drawers	3	2
Shelf material	Glass with metal trim	Glass with metal trim, metal bin
Type of shelves	3 adjustable, 4 full width	2 adjustable, 4 full width
Number of drawers	3	2
Gallon storage bins	Yes	–
Humidity control drawer	Yes	–
Ice maker	No	Yes
<b>Capacity</b>		
Total capacity	16.8 cu. ft.	8.6 cu. ft.

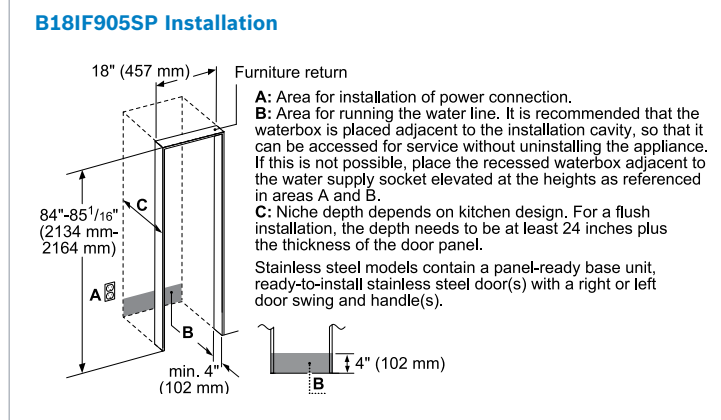
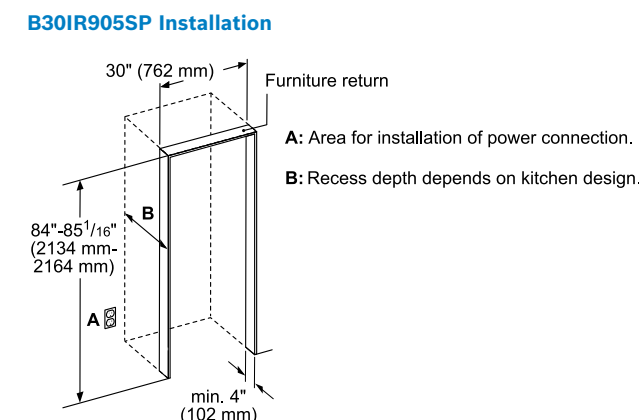
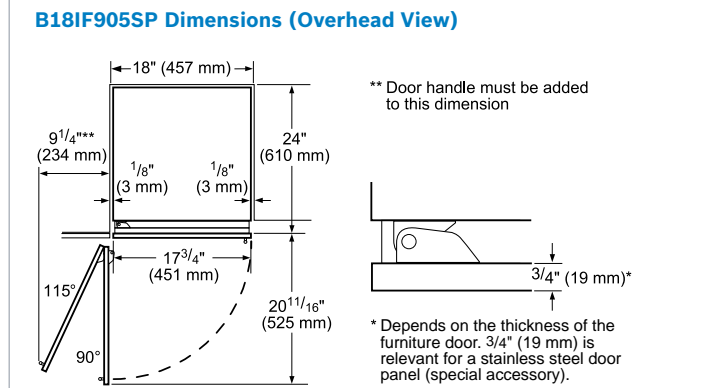
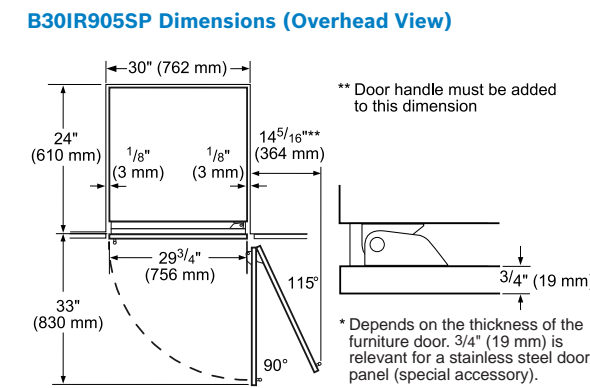
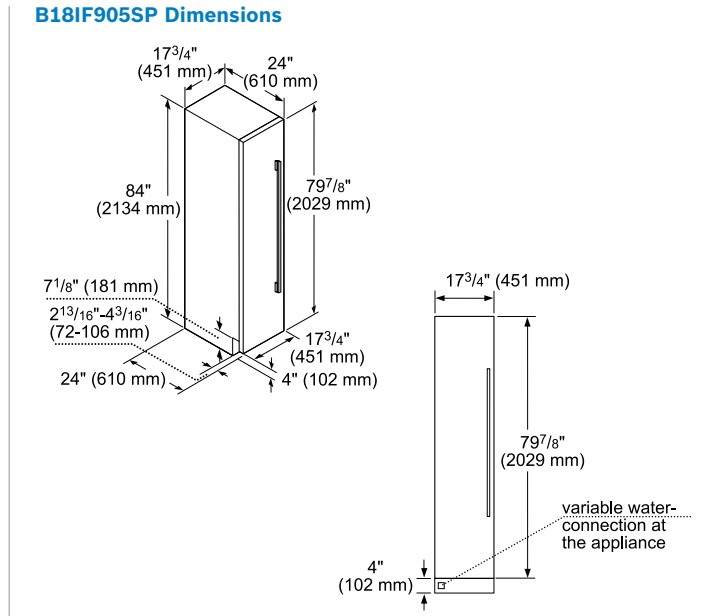
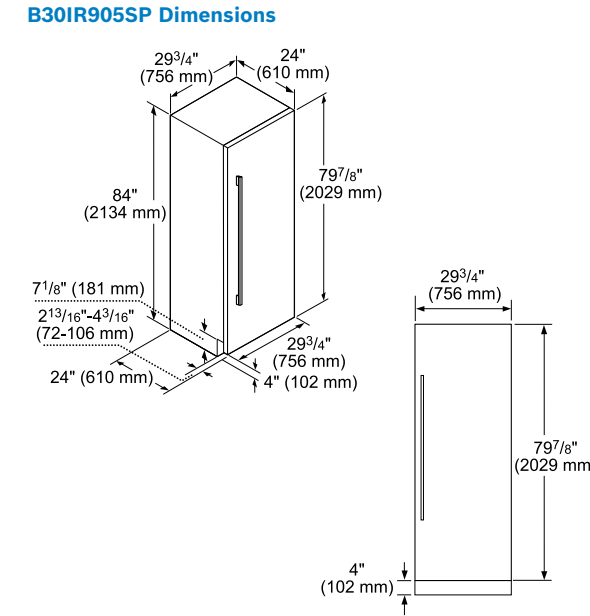
<b>Technical Details</b>		
Watts	180 W	367 W
Current	15 A	15 A
Volts	120 V	120 V
Frequency	60 Hz	60 Hz
Power cord length	118"	118"
Plug type	3-Prong	3-Prong

<b>Dimensions &amp; Weight</b>		
Appliance dimensions (HxWxD)	84" x 29 3/4" x 24 3/4"	84" x 17 3/4" x 24 3/4"
Required cutout size (HxWxD)	84" x 30" x 24 3/4" or 25"	84" x 18" x 24 3/4" or 25"
Net weight	261 lbs	332 lbs

<b>Efficiency</b>		
ENERGY STAR® certified	Yes	Yes
Energy consumption	279 kWh/yr	404 kWh/yr

<b>Optional Accessories</b>				
<b>BFL30IR800</b> 30-Inch Flat Stainless Steel Benchmark™ Series Door Panel (for B30IR905SP)	<b>BFL18IF800</b> 18-Inch Flat Stainless Steel Benchmark™ Series Door Panel (for B18IF905SP)	<b>B36HNDL800</b> 36-Inch Benchmark™ Series Handle	<b>BORPLFTR55</b> UltraClarityPro® Replacement Water Filter (for B18IF905SP)	<b>HEATKITB82</b> Heater Kit may be required when two columns are installed side-by-side. See page 240 for details.

# Benchmark™ Series Built-in Single Door Refrigerator / Freezer



**IMPORTANT:** Handleless Panels should not be installed on units without the soft close capability. If you are uncertain if you have a refrigeration unit with soft close capability please contact our customer team by calling 1-800-944-2904.



# Benchmark™ Series Built-in Bottom Freezer Refrigerators



**Benchmark™ Series B30BB935SS**  
30" Flat Stainless Steel Panel Bottom Freezer

- 29 3/4" W x 84" H
- Flat Stainless Steel Panel
- Flush Installation
- Dual Evaporators
- Home Connect®
- LED Sidewall Lighting
- Optiflex® Hinge



**Benchmark™ Series B30IB905SP**  
30" Custom Panel Bottom Freezer

- 29 3/4" W x 84" H
- Custom Panel Ready
- Dual Evaporators
- Home Connect®
- LED Sidewall Lighting
- Optiflex® Hinge



	Benchmark™ Series 30" Flat Stainless Panel	Benchmark™ Series 30" Custom Panel
	Stainless Steel – B30BB935SS	Custom Panel – B30IB905SP

### General Properties

Home Connect® (Wi-Fi Enabled)	Yes	Yes
Reversible door hinge	Yes	Yes
Water filter	UltraClarityPro®	UltraClarityPro®
Lighting	LED sidewall	LED sidewall
Defrost process refrigerator section	Frost-free	Frost-free
Number of shelves – refrigerator	3	3
Adjustable shelves – refrigerator	2	2
Shelf material – refrigerator	Glass with metal trim	Glass with metal trim
Type of shelves – refrigerator	Full width	Full width
Gallon storage bins	1	1
Humidity control drawer	Yes – 1	Yes – 1
Defrost process freezer section	Automatic	Automatic
Number of drawers – freezer	2	2
Ice maker	Yes	Yes

### Capacity

Total capacity	16 cu. ft.	16 cu. ft.
----------------	------------	------------

### Technical Details

Watts	588 W	588 W
Current	15 A	15 A
Volts	120 V	120 V
Frequency	60 Hz	60 Hz
Power cord length	118"	118"
Plug type	120V-3 prong	120V-3 prong

### Dimensions & Weight

Appliance dimensions (HxWxD)	84" x 29 3/4" x 24"	84" x 29 3/4" x 24"
Required cutout size (HxWxD)	84" x 30" x 25"	84" x 30" x 25"
Net weight	439 lbs	395 lbs

### Efficiency

ENERGY STAR® certified	Yes	Yes
Energy consumption	470 kWh/yr	470 kWh/yr

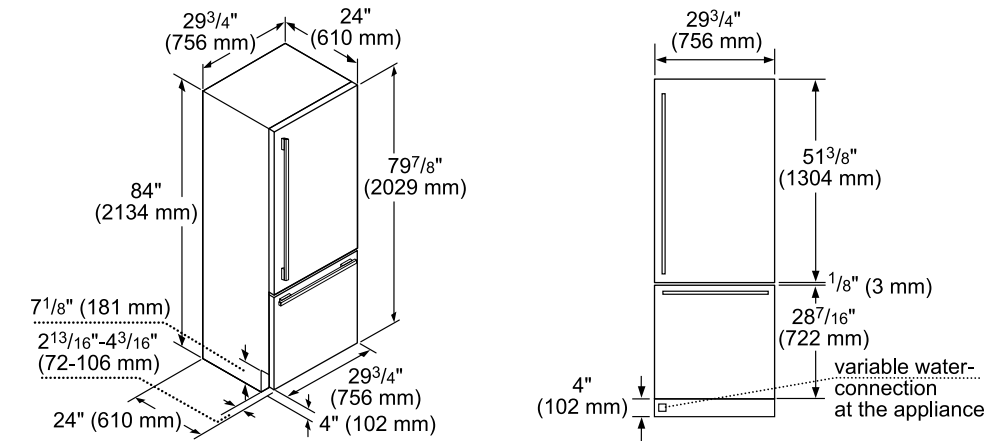
### Optional Accessories

**BORPLFR55**  
UltraClarityPro® Replacement Water Filter

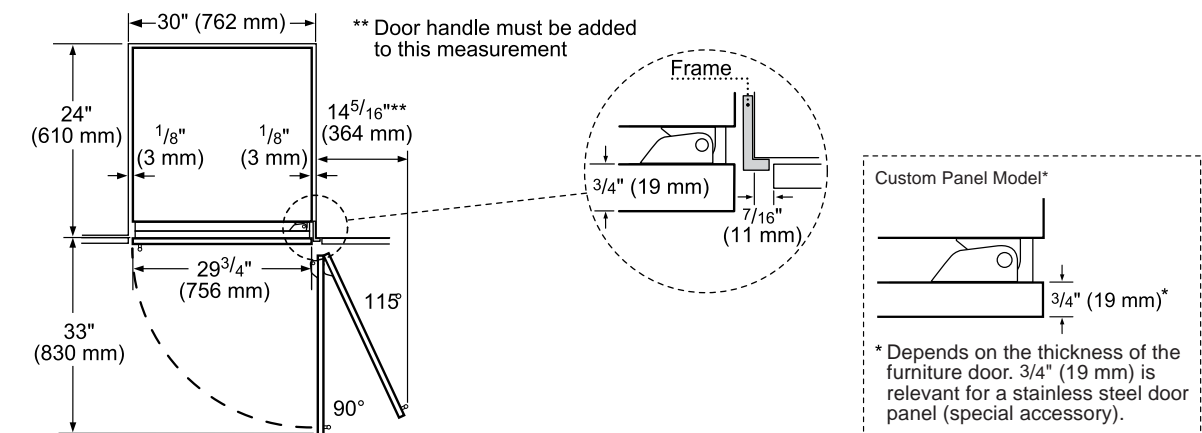
**HEATKITB82**  
Heater Kit may be required when two columns are installed side-by-side. See page 240 for details.

# Benchmark™ Series Built-in Bottom Freezer Refrigerators

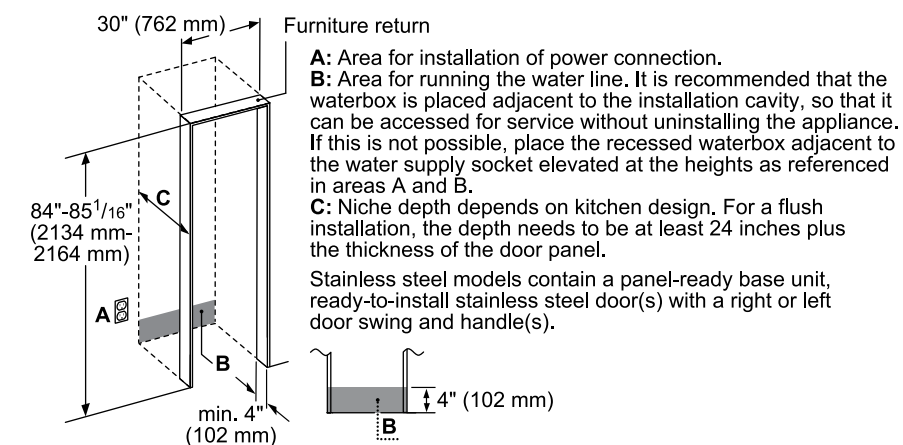
### 30" Built-in Bottom Freezer Dimensions



### 30" Built-in Bottom Freezer Dimensions (Overhead View)



### 30" Built-in Bottom Freezer Installation



**IMPORTANT:** Handleless Panels should not be installed on units without the soft close capability. If you are uncertain if you have a refrigeration unit with soft close capability please contact our customer team by calling 1-800-944-2904.



# Benchmark™ Series Built-in French Door Refrigerators



**Benchmark™ Series B36BT935NS**  
36" Flat Stainless Steel Panel French Door

- 35 3/4" W x 84" H
- Flat Stainless Panel
- Flush Installation
- Dual Evaporators
- Home Connect®
- LED Sidewall Lighting
- Optiflex® Hinge



**Benchmark™ Series B36IT905NP**  
36" Custom Panel French Door

- 35 3/4" W x 84" H
- Custom Panel Ready
- Dual Evaporators
- Home Connect®
- LED Sidewall Lighting
- Optiflex® Hinge



Benchmark™ Series 36" Flat Stainless Panel	Benchmark™ Series 36" Custom Panel
Stainless Steel – B36BT935NS	Custom Panel – B36IT905NP

### General Properties

Home Connect® (Wi-Fi Enabled)	Yes	Yes
Water filter	UltraClarityPro®	UltraClarityPro®
Lighting	LED sidewall	LED sidewall
Defrost process refrigerator section	Frost-free	Frost-free
Number of shelves – refrigerator	3	3
Adjustable shelves – refrigerator	2	2
Shelf material – refrigerator	Glass with metal trim	Glass with metal trim
Type of shelves – refrigerator	Full width	Full width
Gallon storage bins	2	2
Humidity control drawer	Yes – 1	Yes – 1
Defrost process freezer section	Automatic	Automatic
Number of drawers – freezer	2	2
Ice maker	Yes	Yes

### Capacity

Total capacity	19.4 cu. ft.	19.4 cu. ft.
----------------	--------------	--------------

### Technical Details

Watts	350 W	350 W
Current	15 A	15 A
Volts	120 V	120 V
Frequency	60 Hz	60 Hz
Power cord length	118"	118"
Plug type	120V-3 prong	120V-3 prong

### Dimensions & Weight

Appliance dimensions (HxWxD)	84" x 35 3/4" x 24"	84" x 35 3/4" x 24"
Required cutout size (HxWxD)	84" x 36" x 25"	84" x 36" x 25"
Net weight	540 lbs	540 lbs

### Efficiency

ENERGY STAR® certified	Yes	Yes
Energy consumption	579 kWh/yr	579 kWh/yr

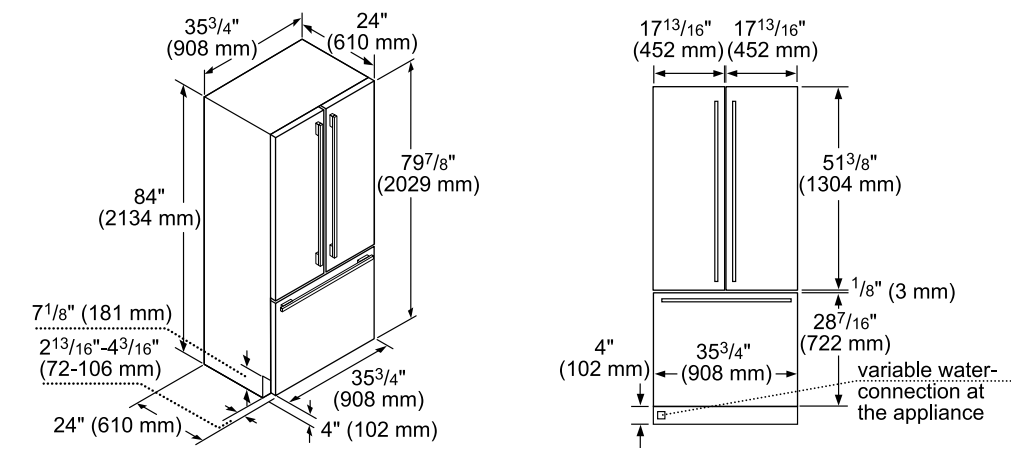
### Optional Accessories

**BORPLFTR55**  
UltraClarityPro® Replacement Water Filter

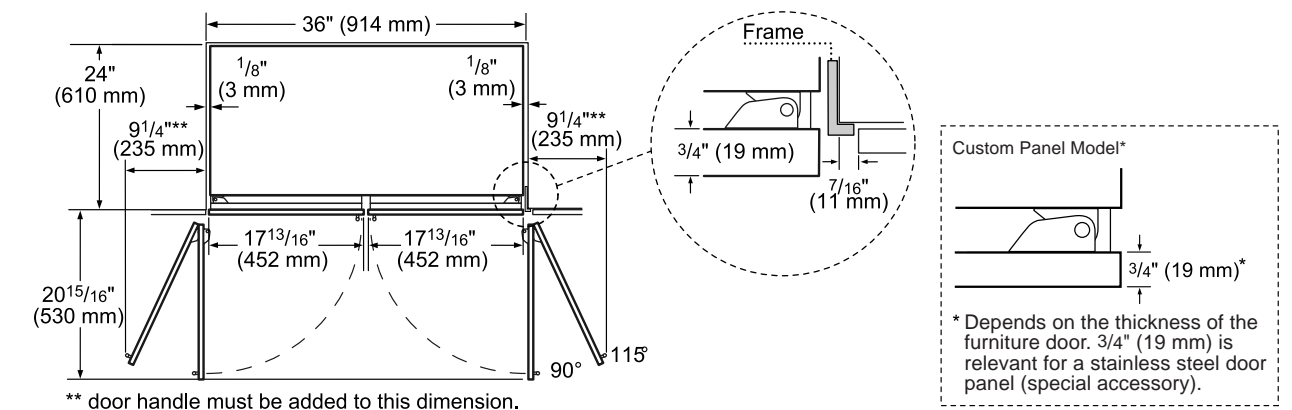
**HEATKITB82**  
Heater Kit may be required when two columns are installed side-by-side. See page 240 for details.

# Benchmark™ Series Built-in French Door Refrigerators

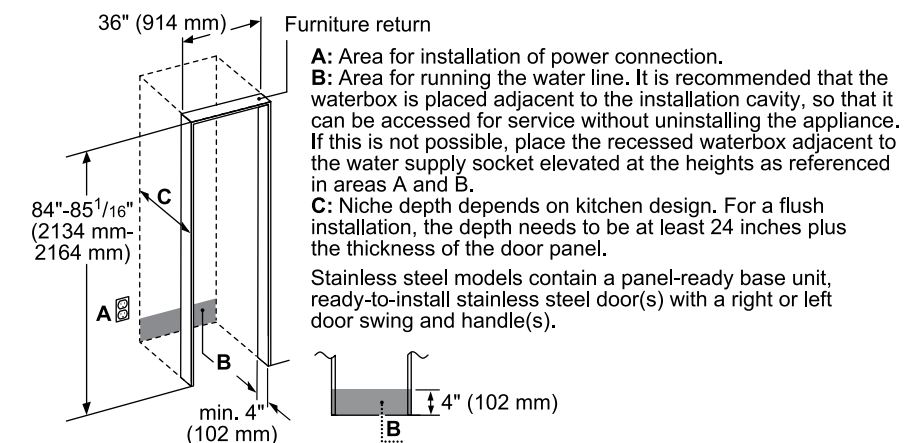
### 30" Built-in Dimensions



### 30" Built-in Dimensions (Overhead View)



### 30" Built-in Installation



# Planning Checklist

## Benchmark™ Series Built-in Refrigeration



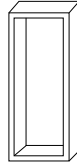

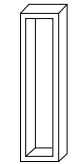
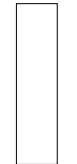
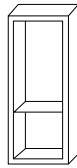
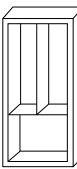
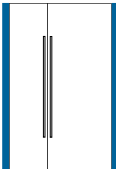
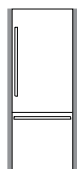
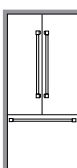
This custom product requires attention to the finest details. Carefully review all planning information, installation details and considerations and all dimensional information.

### Did you remember to...?

- Choose a desired configuration – side-by-side or stand-alone columns
- Plan the cutout height(s) – 84"
- Plan the cutout width(s) – depends on configuration and column width
- Plan the cutout depth – 25" for North American style cabinets, 24" with installation frame accessory, 24" for European style cabinets
- Ensure the cutout interior (top and sides) is flush to the appliance at a depth of min. 4", preferably 6" from face frame
- Ensure the cutout interior returns (top and sides) are finished to match exterior at a depth of min. 4", preferably 6" from face frame
- Ensure proper clearance for appliance doors including handle(s) – check for interference with other appliances, open or closed cabinets and doors, nearby walls
- Properly site the electrical outlet and (if applicable) water box
- Ensure the reverse of any custom panel is finished to match the exterior
- Choose the toekick style – stainless steel (included with appliance) or design custom toekick(s)
- Procure the proper installation accessories – stainless steel frame kit (FRAMKITB80) for framed installations in 24-inch deep cutouts, heater kit (HEATKITB82) for installations where two appliances are installed side-by-side or instances where any appliances are installed less than 6" apart from another but not connected. The heater kit is also recommended for use with any installation in areas that are subject to humidity, or located next to an outside wall.

# Build Your Custom Column

## Benchmark™ Series Built-in Refrigeration

1 Choose Unit		2 Choose Panel		3 Choose Handle and Accessories (Units install either completely flush or framed with optional kit)	
<b>Single Door Refrigerator</b>					
30"	 <b>B30IR905SP</b> Reversible Swing Custom Column	 <b>BFL30IR800</b> Flat Stainless Steel	<b>B36HNDL800</b> 36" handle, coordinates with Bosch appliances. Choose one handle for each single door unit.		
<b>Single Door Freezer</b>					
18"	 <b>B18IF905SP</b> Reversible Swing Internal Ice Maker Custom Column	 <b>BFL18IF800</b> Flat Panel Stainless Steel Custom Panel Ready	<b>FRAMKITB80</b> This accessory enables installation in 24-inch deep cutouts and hides unfinished furniture returns.. Kit includes two identical and reversible vertical frames.		
<b>Bottom Freezer and French Door</b>					
30"	 <b>B30IB905SP</b> 2-Door Custom Column	Custom Panel Ready	Bosch handles are included		
36"	 <b>B36IT905NP</b> French Door Custom Column	Custom Panel Ready	 <b>FRAMKITB80</b> This accessory enables installation in 24-inch deep cutouts and hides unfinished furniture returns.. Kit includes two identical and reversible vertical frames.		
<b>Pre-Assembled Bottom Freezer and French Door</b>					
30"	 <b>B30BB935SS</b> 2-Door Flat Stainless Steel Panels Bosch Handles Removable Frame	Flat Stainless Steel Panels are included	Bosch handles are included		
36"	 <b>B36BT935NS</b> French Door Flat Stainless Steel Panels Bosch Handles Removable Frame	Flat Stainless Steel Panels are included	A frame is attached to all pre-assembled models. It is removable if a flush installation in a 25" deep cabinet is desired.		

IMPORTANT: Use a sealing kit when connecting refrigerator and freezer columns side-by-side (included with every freezer column). Use HEATKITB82 for all non-traditional side-by-side combinations, installations where columns are not connected but less than six inches (152 mm) from one another and for any installation in areas subject to excessive humidity. See page 240 for details.





# Optional Accessories and Installation Considerations

## Benchmark™ Series Built-in Refrigeration

### Flat Stainless Steel Door Panels



#### BFL30IR800

For 30-Inch Single Door Refrigerator Model B30IR905SP

#### BFL18IF800

For 18-Inch Single Door Freezer Model B18IF905SP

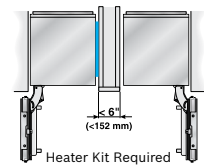
### Installation Accessories

#### FRAMKITB80 Frame Kit



Included with all pre-assembled bottom freezers, this adjustable frame is also available as an optional accessory for use with any custom column for installation in 24-inch (610 mm) deep cutouts. The kit includes two identical and reversible metal side trims whose placement between the interior cutout wall and the appliance helps overcome the challenge of unfinished cabinet returns.

#### HEATKITB82 Heater Kit



Low voltage heating element designed to guard against condensation build up. For use with non-traditional side-by-side installations or instances where appliances are installed less than 6-inches (152 mm) apart from one another but not connected side-by-side. This kit is recommended for areas that are subject to high humidity or located next to an outside wall.

### Filter Accessories

#### BORPLFTR55

UltraClarityPro® Replacement Water Filter (for B18IF905SP, B30BB935SS, B30IB905SP, B36BT935NS & B36IT905NP)

### Handles



#### B36HNDL800 36-Inch Handle

Coordinates with Bosch appliances. Choose one handle for each single door unit

### Location

The appliance should be installed in a dry, ventilated room. It may not be installed outdoors. The ambient temperature of the room must be between 55°F (13°C) and 100°F (43°C).

The appliance should not be exposed to constant direct sunlight or excessive heat. If installation next to a heat source, such as an oven, radiator, etc. is unavoidable, use a suitable insulating plate or observe the following minimum distances from the heat source:

- 1 1/4" (30 mm) from an electric cooking appliance,
- 11 13/16" (300 mm) from an oil or solid-fuel cooking appliance.

### Installation And Cutout Dimensions

Please see pages 233, 235, 237 and 244–249 for complete cutout planning information.

It is important to observe the specified dimensions of the installation cutout for a trouble-free installation of the appliance and for the subsequent appearance of the door panel.

- In particular ensure that the cutout is square. Squareness can be checked by suitable means, e.g. spirit level, diagonal measurements, etc.
- The side walls of the cutout must be flush. The minimum thickness of the side and top walls is 5/8" (16 mm). The minimum thickness of toe-kick panel is 1/4" (6 mm).

### Furniture / Fixtures

During installation, the appliance is fastened to adjacent and overhead furniture / fixtures and it is therefore essential that all such furniture / fixtures are well secured to the substructure or adjacent wall.

### Flooring / Substructure

On account of the heavy weight of a fully loaded appliance, a load-bearing substructure is required. To ensure correct installation and function, the support must be flat, level and made of hard, rigid material. If in doubt, contact an architect or a building expert.

Refer to the following table for load-bearing capacity:

Appliance	Load Bearing Capacity
30-Inch Single Door Refrigerator	1,110 lbs. / 500 kg
18-Inch Single Door Freezer	560 lbs. / 250 kg
30-Inch Bottom Freezer	900 lbs. / 410 kg
36-Inch French Door	1,200 lbs. / 540 kg

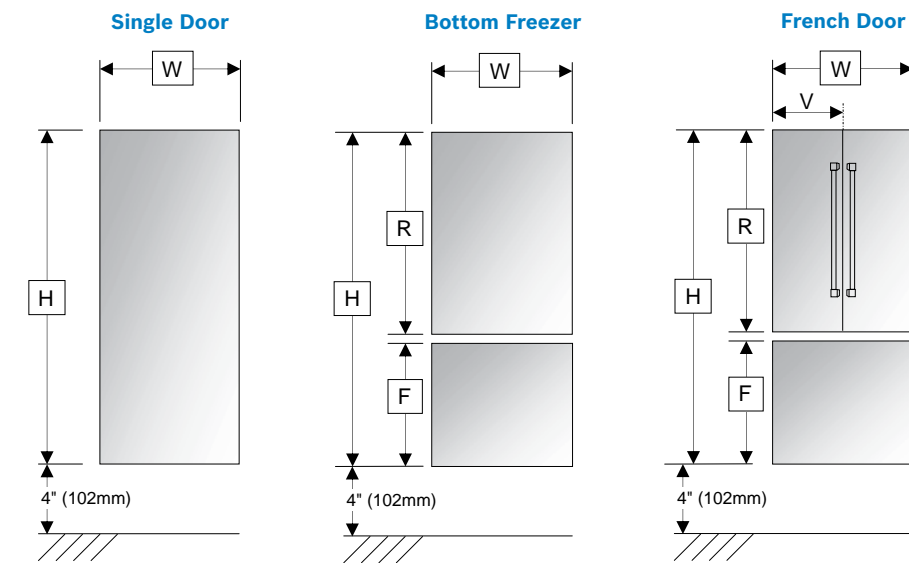
# Door Panel Dimensions

## Benchmark™ Series Built-in Refrigeration

Select Bosch built-in refrigeration appliances are designed to be equipped with a decorative door panel. A panel can be custom-made or purchased as a stainless steel accessory. The table below illustrates the dimensions of the stainless steel panel accessories and can be used as a guide in creating custom panels. At 79 7/8" (2029 mm) tall, they are designed for a toe-kick height of 4" (102 mm), and a total cutout height of 84" (2134 mm) yielding 1/8" (3 mm) reveals. At 3/4" (19 mm) deep, they are designed to attach to the 24" (610 mm) deep appliance for an overall depth of 24 3/4" (629 mm). See pages 233, 235, 237 and 244–249 for cutout planning.

When using custom panels, always ensure that the panel reverse is finished to match the exterior, as parts of the panel reverse will be visible when the refrigerator door is opened.

**IMPORTANT:** While these sketches can serve as a general guide in planning panel dimensions, the correct panel dimensions are dictated by design choices including style and dimensions of surrounding kitchen cabinetry, case and toe-kick height, etc. Please ensure careful planning based on the specific kitchen design.



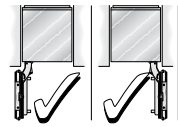
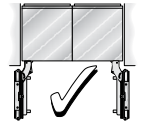
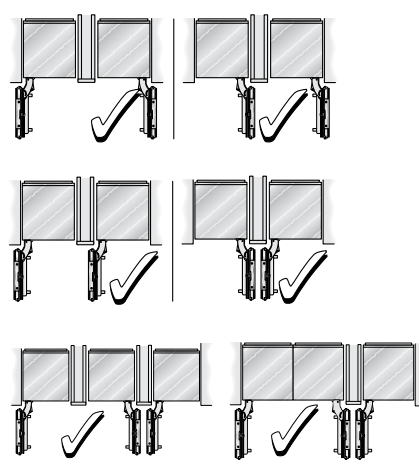
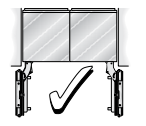

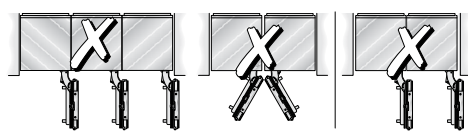
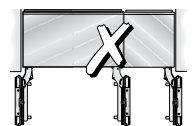
	18-Inch Single Door Freezer	30-Inch Single Door Refrigerator	30-Inch Bottom Freezer	36-Inch French Door
<b>H</b>	79 7/8" (2029 mm)	79 7/8" (2029 mm)	79 7/8" (2029 mm)	79 7/8" (2029 mm)
<b>W</b>	17 3/4" (451 mm)	29 3/4" (756 mm)	29 3/4" (756 mm)	35 3/4" (908 mm)
<b>V</b>	–	–	–	17 3/4" (451 mm)
<b>R</b>	–	–	51 11/32" (1304 mm)	51 11/32" (1304 mm)
<b>F</b>	–	–	28 13/32" (722 mm)	28 13/32" (722 mm)
<b>Max. Panel Weight</b>	37 lbs. (17kg)	64 lbs. (29kg)	55 lbs. (25kg)	55 lbs. (25kg)



# Installation Options

## Benchmark™ Series Built-in Refrigeration

The Bosch Built-in Refrigeration Collection offers a variety of installation possibilities\*. In some instances, special accessories are required.

Recommended Installations	Considerations
<b>Stand-Alone</b> 	Any appliance can be installed as a stand-alone unit. Ensure a cutout flush to the appliance at a depth of minimum 4" (102 mm), preferably 6" (152 mm) on the top and sides.
<b>Side-by-Side</b> 	When two appliances are installed side-by-side a sealing kit must be used. For combinations that involve a freezer column, this kit is provided. For all other (non-traditional) side-by-side combinations or instances where any appliances are installed less than 6" (152 mm) apart from one another but not connected side-by-side, purchase the Heater Kit (HEATKITB82).
<b>Split Columns with Partition</b> 	When dimensioning the partition, note the thickness of the door panel (including handles) as well as the swivel range to prevent damage if the doors are opened at the same time. (See page 244 for details on door swivel range dimensions)  Three appliances can be installed together only if a partition—minimum 5/8" (16 mm)—is placed between two of the appliances. Ensure that door panel thickness (including handles) as well as the swivel range are accounted for.
<b>At the End of a Cabinetry Run</b> 	All appliances must be completely enclosed on the top and sides. If one side of the appliance is visible, a decorative side panel must be used. The side panel must be connected firmly to the wall, the floor and any overhead furniture / fixtures before the appliance is placed in the cutout.
Not Recommended	Concerns
	It is absolutely essential to ensure that the appliance is installed in such a way that the doors do not interfere with an adjacent wall or other kitchen elements. (See page 244 for details on door swivel range dimensions)
	A partition—minimum 5/8" (16 mm)—is required to ensure the doors do not interfere with one another when opened. Use a partition to separate appliances and observe the door swivel range. (See page 244 for details on door swivel range dimensions)
	A French Door Bottom Freezer cannot be connected side-by-side with any other appliance. Use a partition to separate appliances and observe the door swivel range. (See page 244 for details on door swivel range dimensions)

\*The Bosch warranty shall apply only to recommended installations.

# Planning Information

## Benchmark™ Series Built-in Refrigeration

### Electrical Specifications

The appliance comes with a 3-wire power supply cord. UL listed in the USA.

The appliance requires a 3-wire receptacle that is fitted with a 15 Amp fuse or higher. Refer to the following table for max load details.

Appliance	Max Load
	120V AC, 60Hz
30-Inch Single Door Refrigerator	15 A
18-Inch Single Door Freezer	15 A
30-Inch Bottom Freezer	15 A
36-Inch French Door	15 A

\*Including ice maker

The receptacle must be installed by a licensed electrician only.

For the installation position of the receptacle refer to diagram in "Electrical Location".

### Grounding Instruction

This appliance must be grounded. In the event of a malfunction or breakdown, grounding will reduce the risk of electric shock by providing a path of least resistance for the electric current.

### Additional Grounding Procedure

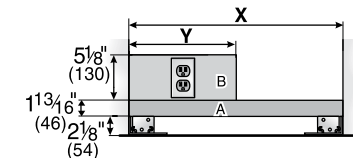
Some local regulations may require a separate ground. In such cases, the required accessory ground wire, clamp and screw must be purchased separately. Never ground the appliance to plastic plumbing lines, gas lines or water pipes.

A 4-conductor cord shall be used when the appliance is installed in an area where local codes do not permit grounding through the neutral. Power supply cord must be replaced by a licensed electrician only.

### Warning

Improper connection of the equipment grounding conductor may result in electric shock. Have the appliance checked by a qualified electrician or service technician if you are in doubt as to whether the appliance has been properly grounded.

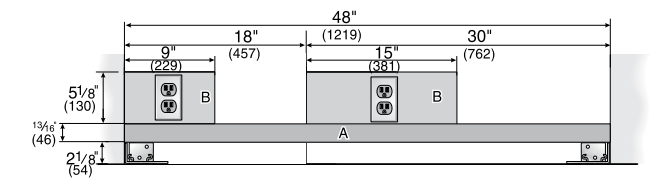
### Electrical Location



### Split Column Installation

	18-Inch	30-Inch
X	18" (457 mm)	30" (762 mm)
Y	9" (229 mm)	15" (381 mm)

### Side-by-Side Installation



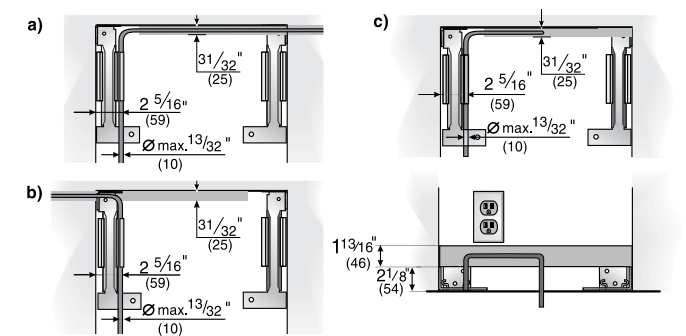
### Water Location

A cold water connection is required for appliances that feature an ice maker or an ice and water dispenser.

The water pressure must be between 40 and 120 p.s.i. (2.75–8.25 bar). The installation must comply with local plumbing regulations.

A separate shut-off valve must be installed for the appliance water connection.

The shut-off valve for the water connection may not be behind the appliance. It is recommended to place the shut-off valve outside the cutout next to the appliance or in another easily accessible location. When installing the water connection, observe the permitted installation areas for the water supply line. The supply line can be located to the right (a), to the left (b), or underneath (c).



# Planning Information

## Benchmark™ Series Built-in Refrigeration

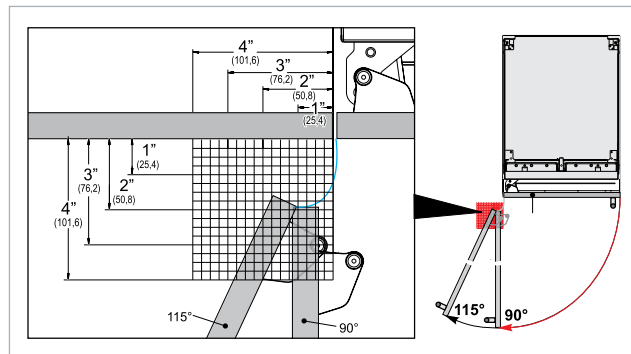
### Door Swivel Range

It is absolutely essential to ensure that the appliance is installed in such a way that the doors (including handles) and adjacent cabinets, countertops, pilasters, walls or other kitchen elements do not interfere with one another when opened. The illustrations below depict the swivel range of the refrigerator doors including mounted door panels of both 3/4" (19 mm) and 1 1/2" (38 mm) thickness.

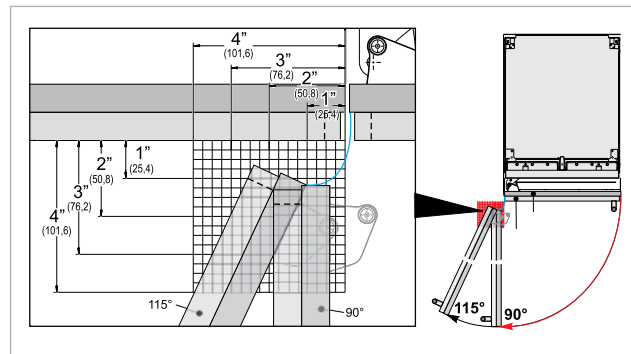
In the event of door interference the following solutions may be employed:

- Limit the refrigerator door opening angle to 90° with a door stop pin inserted into the hinge.
- Reduce the door panel thickness (if larger than 3/4" (19 mm)).
- Install a spacer between the appliance and the kitchen element that creates the interference.
- Rearrange the opposing kitchen element that creates the problem.
- Create a protruding cutout for the appliance.

### Door Swivel Range – 3/4" (19 mm) Flush Appliance Door Panel

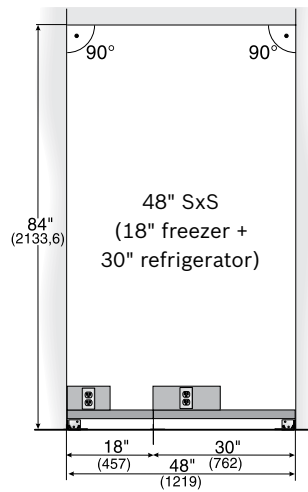


### Door Swivel Range – 1 1/2" (38 mm) Flush Appliance Door Panel

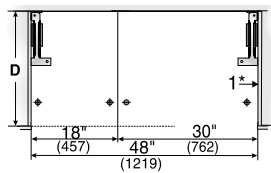


### Side-by-Side Installation

The cutout width for side-by-side installations is defined by adding together the dimensions of two single columns. Below are the dimensions of a classic 48" side-by-side, with an 18" freezer on the left and a 30" refrigerator on the right.



**IMPORTANT:** Just as with stand-alone columns, always ensure that the receptacles and the water line are correctly positioned. For dimensional requirements see page 243.



A: Area for running the water line. It is recommended the water-box be placed adjacent to the installation cutout, so that it can be accessed for service without uninstalling the appliance. If this is not possible, place the recessed water box adjacent to the power supply socket elevated at the heights as referenced in areas A+B.

B: Area for installing the power connection

D: Opening depth of cutout, depending on kitchen design (24" minimum)

# Planning Information

## Benchmark™ Series Built-in Refrigeration

### Cabinetry Terms & Basic Requirements

To clarify the terms that are used in this design guide, please refer to the following definitions:

#### Case

This is the main body of a kitchen cabinet.

#### (Cabinet) Face Frame

This is a decorative frame at the front of a kitchen cabinet representing the space between cabinetry doors or drawers and is typical for North America. European style cabinets (frameless cabinetry) typically do not have a face frame.

#### Door Panel

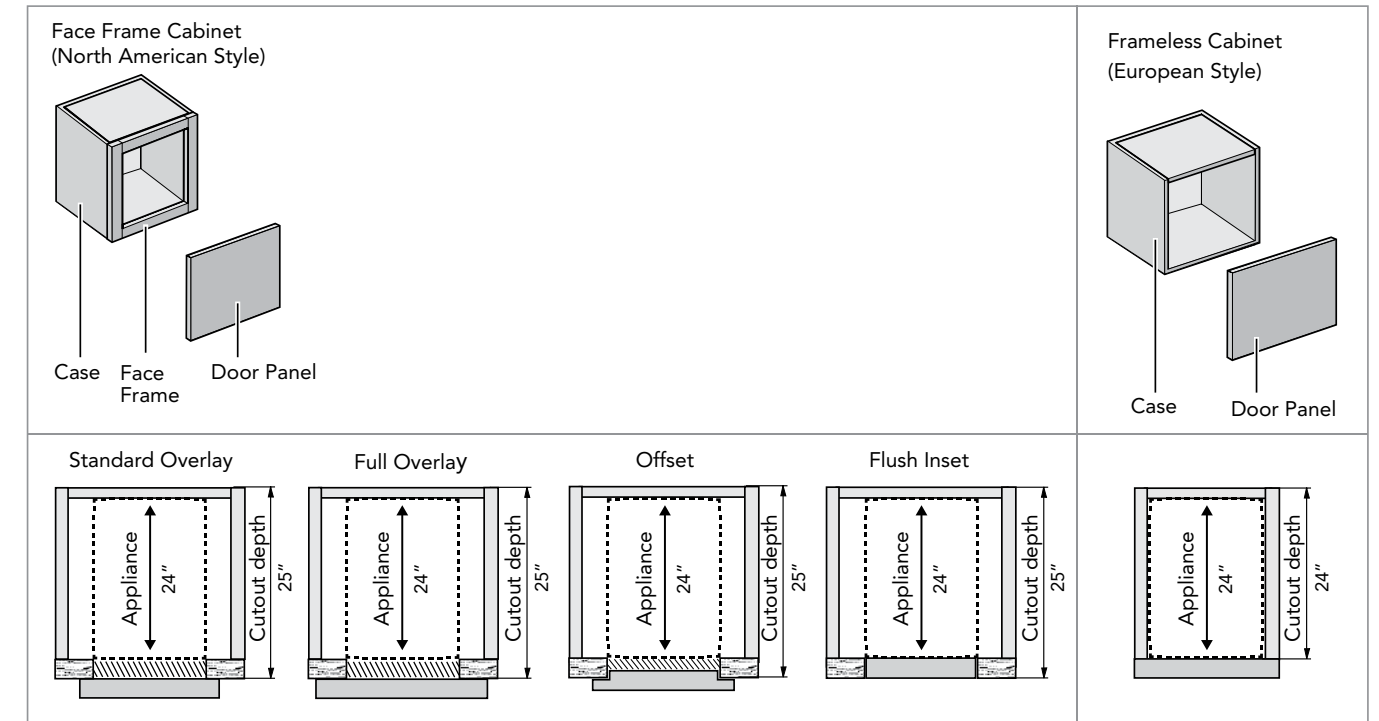
Able to be fully flush integrated when installed in 25" (635 mm) deep cabinets, Bosch built-in, custom panel refrigerators are intentionally designed to be equipped with custom door panels that perfectly match surrounding kitchen cabinetry. Typical panel thickness is 3/4" (19 mm). However, thicker panels can be accommodated to emulate the look of the visible face frame (as in overlay) or to match existing kitchen cabinetry doors. When using custom panels, always ensure that the panel reverse is finished to match the exterior, as parts of the panel reverse will be visible when the refrigerator door is opened.

### Cutout (Niche)

The cutout is the cavity in which a Bosch built-in refrigerator and / or freezer is installed. The width of the cutout (18-inch, 30-inch, etc.) is dependent on the appliance(s). The total depth of the cutout is equal to the depth of the case plus face frame. It does not necessarily include the thickness of the door panel. For proper planning of cutout depth, please refer to pages 233, 235, 237 and 244-249.

Typically, the cutout for a Bosch built-in refrigerators and freezers will be 25" (635 mm) deep. When planning the cutout, it is essential that the top and side interior walls be flush to the appliance at a minimum depth of 4" (102 mm) from the outer edge of the face frame and composed of thick (5/8" (16 mm) minimum) material for secure installation. Also, because the case interior will be partially visible when the refrigerator door is opened, always ensure that the top and side returns are finished to match the exterior furniture at the same minimum depth of 4" (102 mm).

### Kitchen Cabinetry Illustration



# Planning Information

## Benchmark™ Series Built-in Refrigeration

### Cabinetry Style & Cutout Depth

Bosch built-in refrigerators and freezers are designed to accommodate nearly any type of kitchen cabinetry door installation. Generally, when using standard 3/4" (19 mm) panels, 25" (635 mm) deep cutouts are recommended but the required cutout depth depends on the desired cabinetry and custom panel execution, whether typical North American styles that employ a face frame—requiring a depth of 25" (635 mm)—or European style—requiring a depth of 24" (610 mm).

The below cabinetry styles detail requirements for the cutout and custom panel.

### A) Standard (Partial) Overlay – 25" (635 mm) Cutout Depth

With standard overlay kitchen cabinetry the face frame is an important design element. In order to emulate this aesthetic for the refrigerator, one must account for the door panel thickness (typically 3/4" (19 mm)) as well as the face frame thickness (here, also 3/4" (19 mm)). The resulting thickness of the custom door panel is therefore 3/4" (19 mm) + 3/4" (19 mm) = 1 1/2" (38 mm). The cumulative thickness of the custom door panel requires added depth in the cutout so 25" (635 mm) is recommended (see sketch).

### B) Full Overlay – 25" (635 mm) Cutout Depth

The requirements for standard overlays are also valid for full overlay designs so 25" (635 mm) cutout depth is recommended. However, especially if kitchen cabinet doors are thinner than 3/4" (19 mm) or reveals are 1/8" (3 mm) or smaller, a 24" (610 mm) cutout depth may also be acceptable. In this execution both the cabinet door and the small reveal of the fully overlaid face frame must be emulated within the typical appliance door panel thickness of 3/4" (19 mm). This can be done either a) by simply ignoring the visible area of the face frame (very small reveals show virtually no face frame) or b) by creating a “nose” on the custom door panel to emulate a small visible face frame (see sketch).

### C & D) Offset & Flush Inset – 25" (635 mm) Cutout Depth

Here, kitchen cabinetry door panels do not rest atop the cabinet face frame (overlay), but are instead inserted partially (offset) or fully flush (inset) into the face frame. Such offset or flush inset door panels require additional depth in the cutout. Using the example of a 3/4" (19 mm) thick panel, the complete cutout depth would be 24" (610 mm) + 3/4" (19 mm) = 24 3/4" (629 mm) and in this example 25" (635 mm) is recommended.

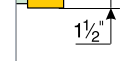
### E) Framed – 24" (610 mm) Cutout Depth

A metal frame (FRAMKITB80) may be affixed to the side of the cabinet which conveniently hides unfinished case returns and provides a classic built-in look. This is particularly relevant for existing cabinetry that has not been custom-built to accommodate these appliances. A 24" (610 mm) cutout will result in a slightly protruding door panel for a typical built-in look.

### F) European Style Kitchen Cabinetry – 24" (610 mm) Cutout Depth

If the kitchen design is based on European style cabinetry, there is no need to emulate the look of a face frame, as such a frame is not an element of the kitchen cabinetry design. Therefore a 24" (610 mm) deep cutout with accompanying custom panel will always be sufficient.

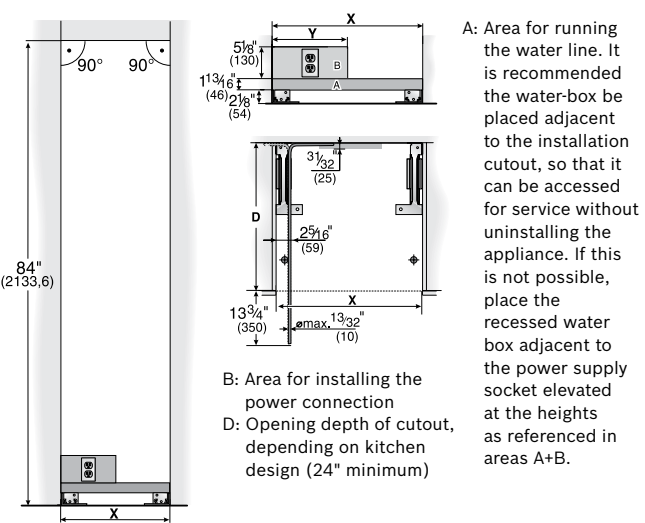
**A) Standard Overlay Design**  
Custom Door Panel (Emulating a Face Frame)



**B) Full Overlay Design**  
Custom Door Panel with Nose (Emulating a Face Frame)



### Split Column Installation



	X	Y
18-Inch Single Door Freezer	18" (457 mm)	9" (229 mm)
30-Inch Single Door Refrigerator	30" (762 mm)	15" (381 mm)
30-Inch Bottom Freezer	30" (762 mm)	15" (381 mm)
36-Inch French Door	36" (914 mm)	18" (457 mm)

### Important

It is strongly recommended the top interior of the cutout be of solid material (5/8" (16 mm) thickness). Ensure that the top well is completely flush for a depth of at least 4" (102 mm).

Ensure that the side walls of the cutout are also completely flush to a depth of at least 4" (102 mm).

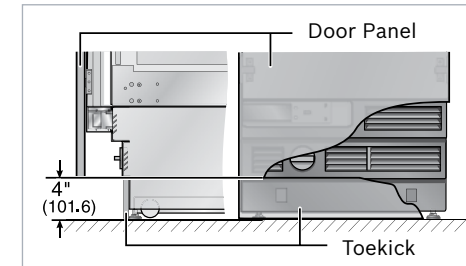
If, for some reason, a separate cutout cabinet is created, ensure that the furniture return is at least 4" (102 mm) deep for proper installation.

# Planning Information

## Benchmark™ Series Built-in Refrigeration

### Toekick & Venting Grille

Each Bosch built-in refrigeration appliance comes with a 4" (102 mm) tall stainless steel toekick. A custom-made toekick that matches the surrounding cabinetry may be applied instead. While standard toekick height is 4" (102 mm), depending on the usage of the leveling legs, the toekick height could vary. Regardless of toekick height, it is imperative that the venting grille remain unblocked to ensure proper functionality of the appliance. Decorative toekicks should be removable to allow for servicing.



Typical 4" (102 mm) toekick height. Velcro adhesive strips are used to fasten the toekick to the appliance. Venting grille and (if applicable) the water filter cavity are located above the toekick area.

### Upper Molding

The planning of decorative upper molding above the cutout requires taking into account the actual or desired height of the door panel.

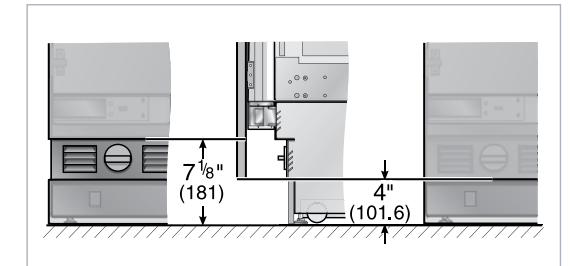
The overall height of the door panel will depend on:

- the height of the appliance, typically 84" (2134 mm)—leveling legs allow height adjustment ranging from -1/2" (-13 mm) to +1 3/8" (+35 mm)
- the installed height of the door panel (distance from the bottom edge of the door panel to the floor, typically 4" (102 mm), and, if desired, any extension of the custom panel above the appliance cutout)
- the appliance type (single door or bottom freezer)

### Important

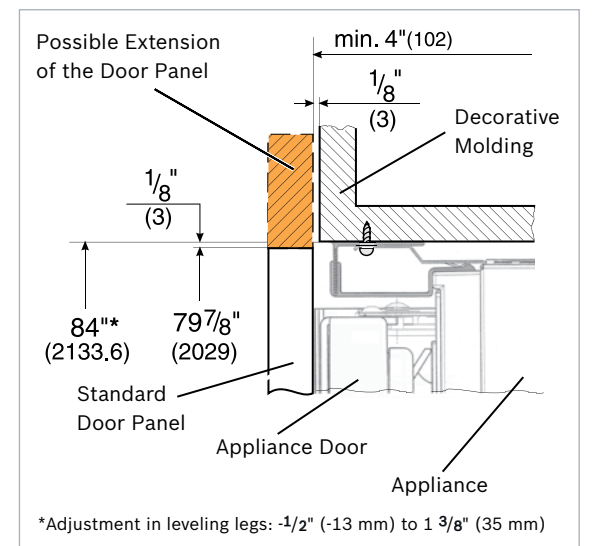
Please recall that a panel should be installed at a minimum height of 4" (102 mm) from the floor to allow proper ventilation of the appliance.

Always ensure that the top of the cutout or upper decorative molding is at least 4" (102 mm) deep, so that the refrigerator can be properly secured to the cutout wall. This is particularly important if a protruding cutout is specially created and configured with a face frame. Furniture returns for any face frame must be a minimum of 4" (102 mm) deep.



If required by the surrounding cabinetry design, the distance between the bottom edge of the door panel and the floor can be increased from approx. 4" (102 mm) up to 7 1/8" (181 mm), but should not be decreased. Note, however, that the venting grille and (if applicable) water filter cavity will be visible, even if the door is closed.

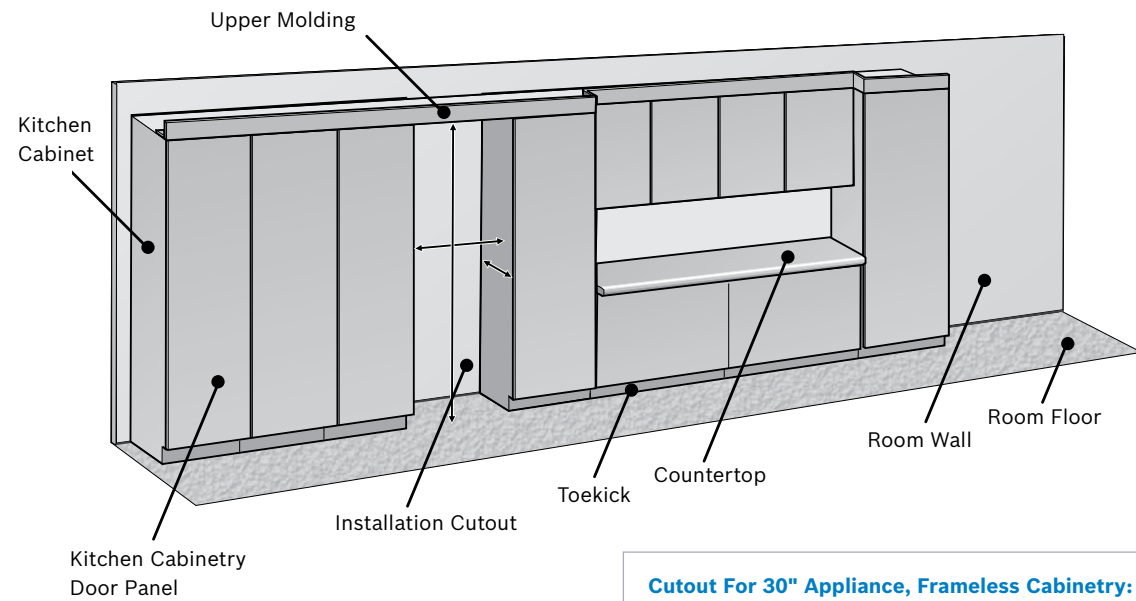
### Vertical Section, Side View:



# Planning Information

## Benchmark™ Series Built-in Refrigeration

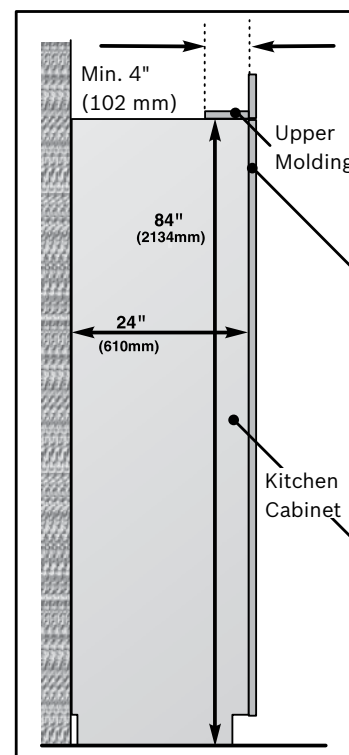
### Planning Example #1: Frameless (European) Cabinetry



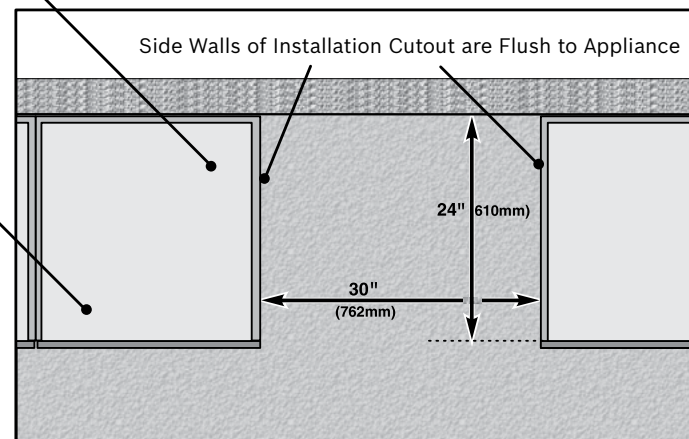
**Cutout For 30" Appliance, Frameless Cabinetry:**  
 In this example, the installation cutout is formed by simply leaving a gap between two kitchen cabinets.

The custom door panel 3/4" (19 mm) will be identical in appearance and thickness to the surrounding kitchen cabinetry panels.

- cutout width is exactly 30" (762 mm)
- cutout (case) depth is 24" (610 mm)—does not include door panel
- top and side walls of cutout interior are completely flush, of solid material and at least 4" (102 mm) deep



Installation Cutout (Vertical Section)

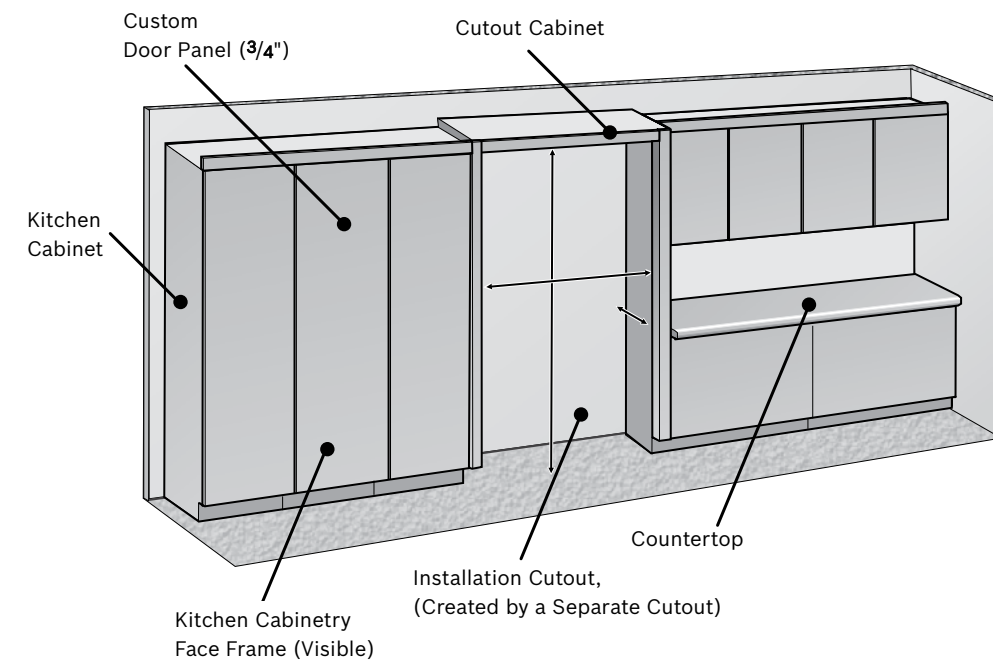


30-Inch Installation Cutout (Horizontal Section)

# Planning Information

## Benchmark™ Series Built-in Refrigeration

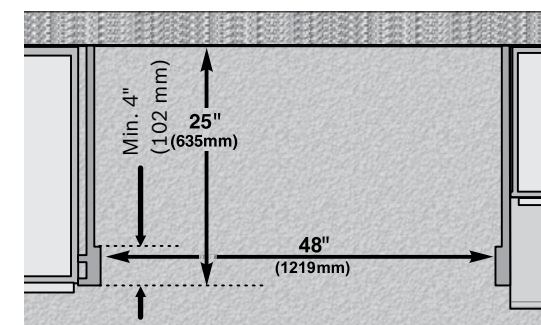
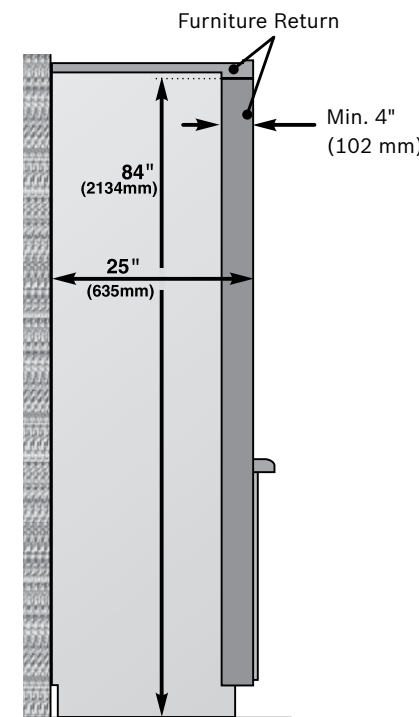
### Planning Example #2: Standard Overlay Cabinetry



**CUTOUT FOR 48" SIDE-BY-SIDE APPLIANCE COMBINATION, STANDARD OVERLAY CABINERY:**  
 In this example, the installation cutout is formed by creating a separate cutout around the appliances. It yields a look that deviates from the general kitchen design.

The custom door panel has a cumulative thickness of 1 1/2" (38 mm), 3/4" (19 mm) emulating the face frame and 3/4" (19 mm) for the actual door panel. Thus, a 25" (635 mm) deep installation cutout is required.

- cutout width is exactly 48" (for an 18" + 30" = 48" side-by-side combination)
- cutout (case) depth is 25" (635 mm) due to 1 1/2" (38 mm) custom door panel
- any furniture return must be at least 4" (102 mm) deep, on interior top and sides, of solid material and should be finished to match the exterior at the same depth (4" or 102 mm)



# 800 Series French Door Refrigerators



**800 Series**  
**B36CT80SNS (Stainless Steel with Bar Handles)**  
**B36CT80SNB (Black Stainless Steel with Bar Handles)**  
**B36CT81ENS (Stainless Steel with Recessed Handles)**  
**French Door**

- + Dual Compressor and Dual Evaporator
- Counter-Depth
- + VitaFreshPro® Freshness Settings
- Interior Water Dispenser
- + FlexBar® Flexible Storage Bar
- Home Connect®



+ Indicates a step-up feature

**800 Series 36" Counter-Depth**

Stainless Steel with Bar Handles – B36CT80SNS  
 Black Stainless Steel with Bar Handles – B36CT80SNB  
 Stainless Steel with Recessed Handles – B36CT81ENS

**General Properties**

Full 72" height and true counter depth for built-in appearance	Yes
Easy Clean Stainless Steel	Yes
Lighting	Recessed LED light bars
Number of compressors / evaporators	2 / 2
Defrost process refrigerator / freezer section	Frost-free / automatic
Adjustable tempered glass shelves – refrigerator	4 half-width
Flexible storage bar	FlexBar®
Full width temp. & humidity controlled drawer	VitaFreshPro®
Humidity control compartments, gallon storage bins	2, 2
Water dispenser, freezer ice maker, water filter	Yes (internal), yes, UltraClarityPro®
MultiAirFlow™	Yes
AirFresh® filter, FreshProtect® ethylene filter	Yes, yes
Stainless steel back wall	Yes
Number of drawers – freezer	3
Home Connect® (Wi-Fi enabled)	Yes

**Capacity**

Total capacity	20.8 cu. ft.
Refrigerator capacity	14.8 cu. ft.
Freezer capacity	6.0 cu. ft.

**Technical Details**

Current, Volts, Frequency	15 A , 115 V , 60 Hz
Power cord length	67"
Plug type	120V-3 prong

**Dimensions & Weight**

Appliance dimensions with hinges, handles and doors (HxWxD)	B36CT80SNS, B36CT80SNB: 72** x 35 5/8" x 31 1/8" B36CT81ENS: 72** x 35 5/8" x 28 3/4"
Appliance dimensions without hinges and doors (HxWxD)	71 1/2" x 35 5/8" x 24***
Appliance dimensions with hinges and doors, no handles (HxWxD)	72** x 35 5/8" x 28 3/4"
Required cutout size (HxWxD)	72" x 36" x 25"
Net weight	350 lbs

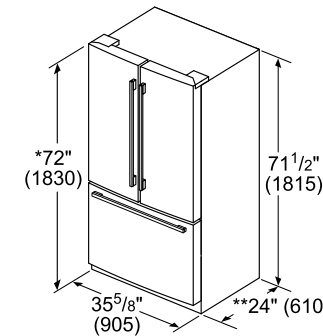
**Efficiency**

ENERGY STAR® certified	Yes
Energy consumption	570 kWh/yr

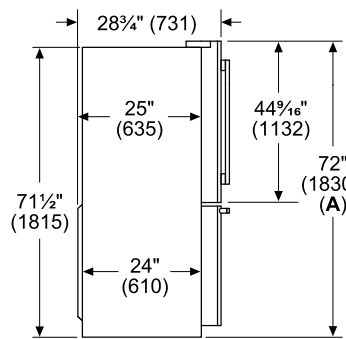
\*When leveling legs are fully extended, add 5/8" to overall height, total 72 5/8".  
 \*\*The cutout depth of 25" includes the required 1" airflow. The electrical covers on the back of unit do not require additional depth.

# 800 Series French Door Refrigerators

**B36CT80SNS/B Dimensions**



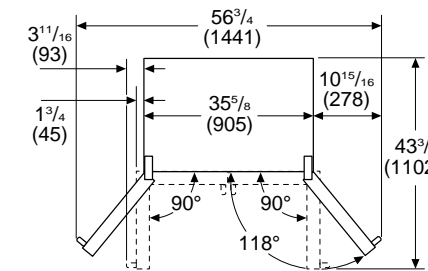
\*Add 5/8" (17) with front levelling feet fully extended  
 \*\*Add 1" (25) for fixed spacers on back measurements in inches (mm)



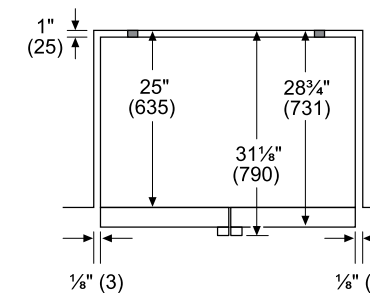
A: Add 5/8" (17) with front leveling feet fully extended  
 Measurements in inches (mm)

**B36CT80SNS/B (Overhead Views)**

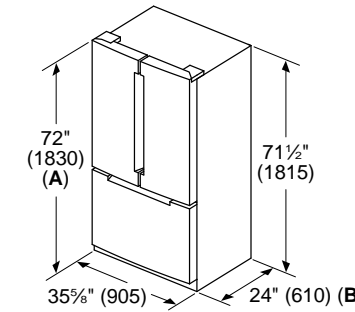
Measurements in inches (mm)



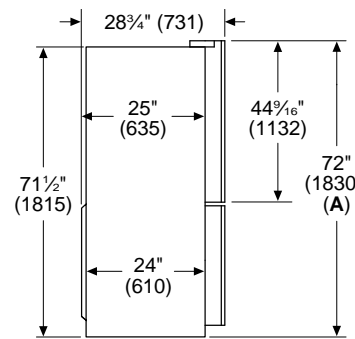
Drawers can be pulled out with door open to 90°  
 Drawers can be taken out with door completely opened



**B36CT81ENS Dimensions**



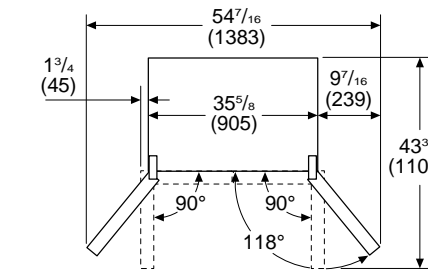
A: Add 5/8" (17) with front levelling feet fully extended  
 B: Add 1" (25) for fixed spacers on back measurements in inches (mm)



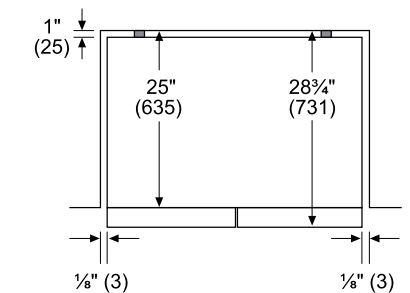
A: Add 5/8" (17) with front leveling feet fully extended  
 measurements in inches (mm)

**B36CT81ENS (Overhead Views)**

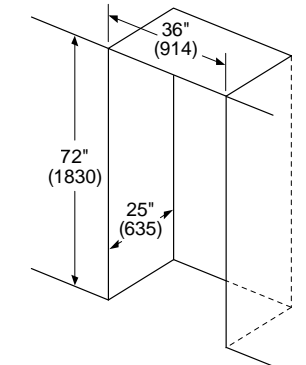
Measurements in inches (mm)



Drawers can be pulled out with door open to 90°  
 Drawers can be taken out with door completely opened



**36" Freestanding Installation**



Leave 1/2" (12.7) gap at the top and 1" (25.4) behind the refrigerator for proper ventilation.

It is recommended that you do not install the refrigerator near a heat source such as a stove or a range.

**Optional Accessories**

- BORPLFTR55** UltraClarityPro® Replacement Water Filter
- FPETHRF50** Ethylene Filter Refill Kit
- FPETHKT50** Ethylene Filter Starter Kit
- 10012733** 90 Degree Door Stopper



# 800 Series 4-Door French Door Refrigerators



**800 Series**  
**B36CL80SNS (Bar Handles)**  
**B36CL80ENS (Recessed Handles)**  
**4-Door French Door**

- Dual Compressor and Dual Evaporator
- Counter-Depth
- VitaFreshPro® Freshness Settings
- Interior Water Dispenser
- FlexBar® Flexible Storage Bar
- Home Connect®



**800 Series 36" Counter-Depth**

Stainless Steel with Bar Handles – B36CL80SNS  
 Stainless Steel with Recessed Handles – B36CL80ENS

**General Properties**

Full 72" height and true counter depth for built-in appearance	Yes
Easy Clean Stainless Steel	Yes
Lighting	Recessed LED light bars
Number of compressors / evaporators	2 / 2
Defrost process refrigerator / freezer section	Frost-free / automatic
Adjustable tempered glass shelves – refrigerator	4 half-width
Flexible storage bar	FlexBar®
Full width temp. & humidity controlled drawer	VitaFreshPro®
Water dispenser, freezer ice maker, water filter	Yes (internal), yes, UltraClarityPro®
Humidity control compartments, gallon storage bins	2, 2
MultiAirFlow™	Yes
AirFresh® filter, FreshProtect® ethylene filter	Yes, yes
Stainless steel back wall	Yes
Number of drawers – freezer	3
Home Connect® (Wi-Fi enabled)	Yes

**Capacity**

Total capacity	20.5 cu. ft.
Refrigerator / freezer capacity	14.5 / 6.0 cu. ft.

**Technical Details**

Current, Volts, Frequency	15 A, 115 V, 60 Hz
Power cord length	67"
Plug type	120V-3 prong

**Dimensions & Weight**

Appliance dimensions with hinges, handles and doors (HxWxD)	B36CL80SNS: 72"* x 35 5/8" x 31 1/8" B36CL80ENS: 72"* x 35 5/8" x 28 3/4"
Appliance dimensions without hinges and doors (HxWxD)	71 1/2" x 35 5/8" x 24"***
Appliance dimensions with hinges and doors, no handles (HxWxD)	72"* x 35 5/8" x 28 3/4"
Required cutout size (HxWxD)	72" x 36" x 25"
Net weight	350 lbs

**Efficiency**

ENERGY STAR® certified	Yes
Energy consumption	568 kWh/yr

\*When leveling legs are fully extended, add 5/8" to overall height, total 72 5/8".

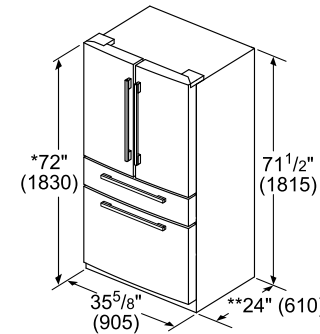
\*\*The cutout depth of 25" includes the required 1" airflow. The electrical covers on the back of unit do not require additional depth.

**Optional Accessories**

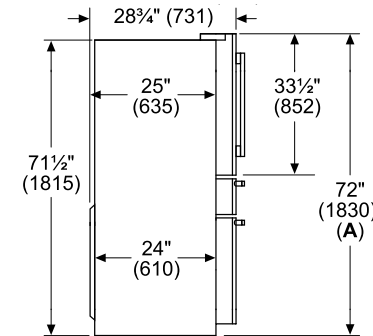
<b>BORPLFTR55</b> UltraClarityPro® Replacement Water Filter	<b>FPETHRF50</b> Ethylene Filter Refill Kit	<b>FPETHKT50</b> Ethylene Filter Starter Kit	<b>10012733</b> 90 Degree Door Stopper
--	--	---	---

# 800 Series 4-Door French Door Refrigerators

**B36CL80SNS Dimensions**

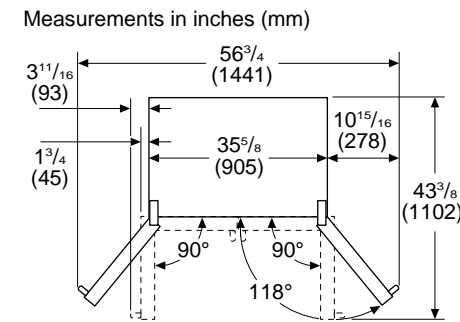


\*Add 5/8" (17) with front leveling feet fully extended  
 \*\*Add 1" (25) for fixed spacers on back measurements in inches (mm)

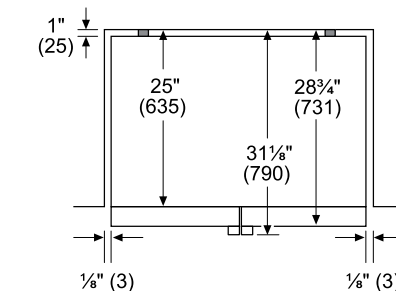


**A:** Add 5/8" (17) with front leveling feet fully extended  
 Measurements in inches (mm)

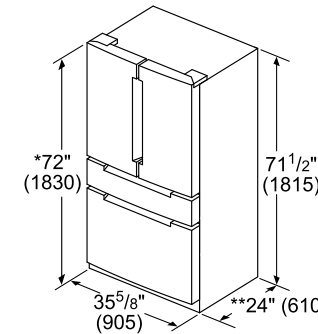
**B36CL80SNS (Overhead Views)**



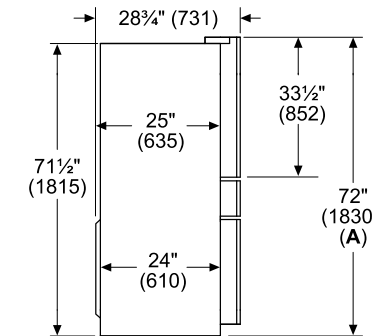
Drawers can be pulled out with door open to 90°  
 Drawers can be taken out with door completely opened



**B36CL80ENS Dimensions**

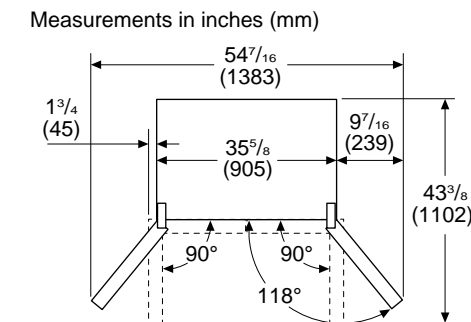


\*Add 5/8" (17) with front leveling feet fully extended  
 \*\*Add 1" (25) for fixed spacers on back measurements in inches (mm)

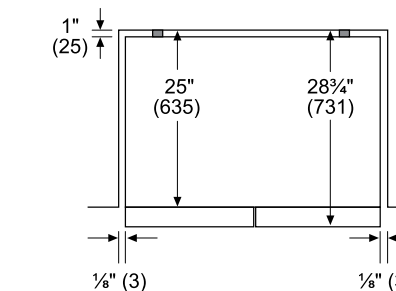


**A:** Add 5/8" (17) with front leveling feet fully extended  
 Measurements in inches (mm)

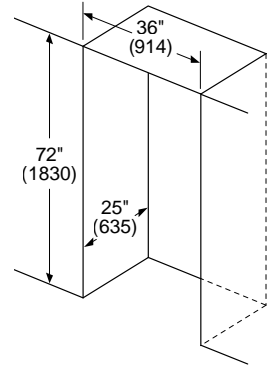
**B36CL80ENS (Overhead Views)**



Drawers can be pulled out with door open to 90°  
 Drawers can be taken out with door completely opened



**36" Freestanding Installation**



Leave 1/2" (12.7) gap at the top and 1" (25.4) behind the refrigerator for proper ventilation.

It is recommended that you do not install the refrigerator near a heat source such as a stove or a range.

Measurements in inches (mm)



# 800 Series 4-Door French Door Refrigerators



**800 Series**  
**B36CL81ENG (Glass over Stainless Steel with Recessed Handles)**  
**B36CL81ENW (Arctic White with Recessed Handles)**  
**4-Door French Door**

- Counter-Depth
- + Refreshment Center Drawer with Pre-Programmed Settings
- Dual Compressor and Dual Evaporator
- + Stylish Tempered Glass Door
- Interior Water Dispenser
- FlexBar® Flexible Storage Bar
- Home Connect®



+ Indicates a step-up feature

### 800 Series 36" Counter-Depth

Glass over Stainless Steel with Recessed Handles – B36CL81ENG  
 Arctic White with Recessed Handles – B36CL81ENW

#### General Properties

Full 72" height and true counter depth for built-in appearance	Yes
Easy Clean Stainless Steel	Yes
Lighting	Recessed LED light bars
Number of compressors / evaporators	2 / 2
Defrost process refrigerator / freezer section	Frost-free / automatic
Adjustable tempered glass shelves – refrigerator	4 half-width
Type of shelves – refrigerator	Frameless split shelves with metal trim
Flexible storage bar	FlexBar®
Gallon storage bins	2
Full width glass display drawer	1
Water dispenser, freezer ice maker, water filter	Yes (internal), yes, UltraClarityPro®
Touch control panel	Yes
MultiAirFlow™	Yes
AirFresh® filter, FreshProtect® ethylene filter	Yes, no
Stainless steel back wall	Yes
Number of drawers – freezer	3
Home Connect® (Wi-Fi enabled)	Yes

#### Capacity

Total capacity	20.5 cu. ft.
Refrigerator / Freezer capacity	14.5 cu. ft. / 6.0 cu. ft.

#### Technical Details

Current, Volts, Frequency	15 A, 115 V, 60 Hz
Power cord length	67"
Plug type	120V-3 prong

#### Dimensions & Weight

Appliance dimensions with hinges, handles and doors (HxWxD)	72" x 35 5/8" x 29"
Appliance dimensions without hinges and doors (HxWxD)	71 1/2" x 35 5/8" x 24"***
Appliance dimensions with hinges and doors, no handles (HxWxD)	72" x 35 5/8" x 29"
Required cutout size (HxWxD)	72" x 36" x 25"
Net weight	350 lbs

#### Efficiency

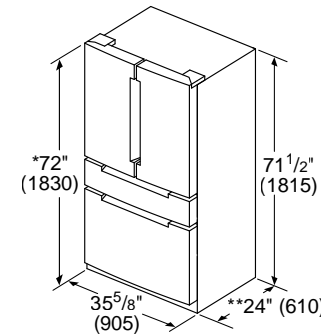
ENERGY STAR® certified	Yes
Energy consumption	568 kWh/yr

\*When leveling legs are fully extended, add 5/8" to overall height, total 72 5/8".

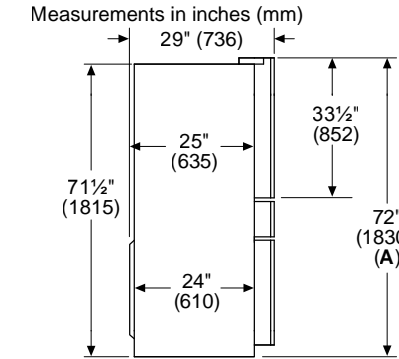
\*\*The cutout depth of 25" includes the required 1" airflow. The electrical covers on the back of unit do not require additional depth.

# 800 Series 4-Door French Door Refrigerators

### B36CL81ENG Dimensions

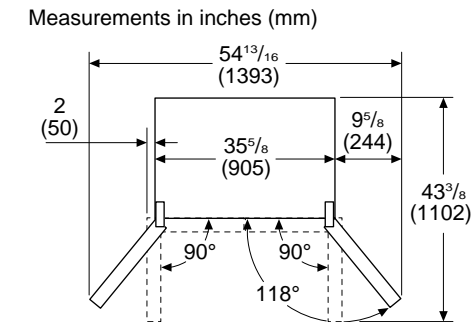


\* Add 5/8" (17) with front leveling feet fully extended  
 \*\* Add 1" (25) for fixed spacers on back measurements in inches (mm)

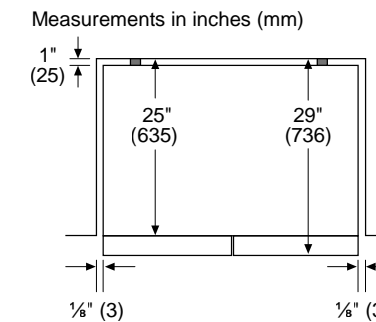


A: Add 5/8" (17) with front leveling feet fully extended

### B36CL81ENG Dimensions (Overhead Views)

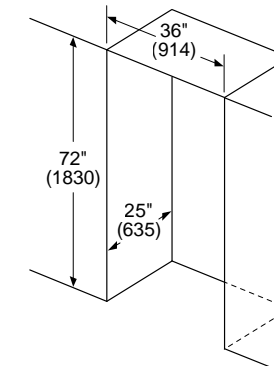


Drawers can be pulled out with door open to 90°  
 Drawers can be taken out with door completely opened



### B36CL81ENG Installation

measurements in inches (mm)



Leave 1/2" (12.7) gap at the top and 1" (25.4) behind the refrigerator for proper ventilation. It is recommended that you do not install the refrigerator near a heat source such as an oven or a range.

### Optional Accessories

- BORPLFTR55** UltraClarityPro® Replacement Water Filter
- 10012733** 90 Degree Door Stopper





# 500 Series French Door Refrigerators



**500 Series**  
**B36FD50SNS (Stainless Steel)**  
**B36FD50SNB (Black Stainless Steel)**  
**French Door**

- Standard-Depth
- QuickIce Pro® System
- UltraClarityPro® Water Filter
- Easy Clean Stainless Steel
- MultiAirFlow™ Cooling System
- Home Connect®



**500 Series 36" Standard-Depth**

Stainless Steel – B36FD50SNS  
 Black Stainless Steel – B36FD50SNB

**General Properties**

Full 69" height and standard depth for additional capacity	Yes
Easy Clean Stainless Steel	Yes
Lighting	Recessed LED light bars
Number of evaporators	1
Defrost process refrigerator section	Frost-free
Number of shelves – refrigerator	5
Adjustable tempered glass shelves – refrigerator	4 half-width
Type of shelves – refrigerator	Frameless split shelves with chromed trim
Ice maker	Yes
Water filter	UltraClarityPro®
External water and ice dispenser	Yes
Gallon storage bins	2
Humidity control compartments	2
Full width drawer	1
Touch control panel	Yes
AirFresh® filter, MultiAirFlow™	Yes, yes
Stainless steel back wall	Yes
Defrost process freezer section	Automatic
Number of drawers – freezer	2
Home Connect® (Wi-Fi enabled)	Yes

**Capacity**

Total capacity	26.0 cu. ft.
Refrigerator / Freezer capacity	18.0 cu. ft. / 8.0 cu. ft.

**Technical Details**

Current, Volts, Frequency	15 A, 115 V, 60 Hz
Power cord length	67"
Plug type	120V-3 prong

**Dimensions & Weight**

Appliance dimensions with hinges, handles and doors (HxWxD)	70"* x 35 5/8" x 35 7/16"
Appliance dimensions without hinges and doors (HxWxD)	69 1/2" x 35 5/8" x 28 3/8"
Appliance dimensions with hinges and doors, no handles (HxWxD)	70"* x 35 5/8" x 33 1/8"
Required cutout size (HxWxD)	70" x 36" x 29 5/16"
Net weight	320 lbs

**Efficiency**

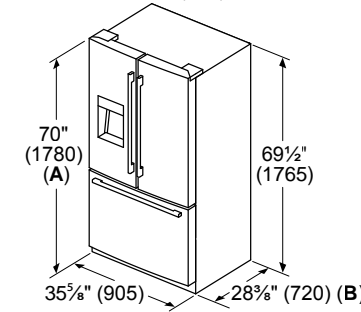
ENERGY STAR® certified	Yes
Energy consumption	702 kWh/yr

\*When leveling legs are fully extended, add 5/8" to overall height, total 70 5/8".

# 500 Series French Door Refrigerators

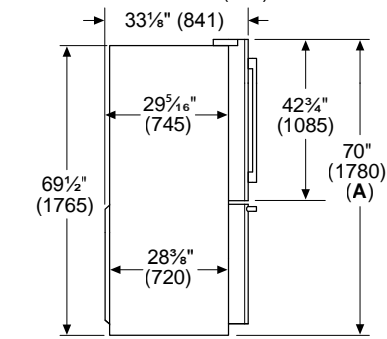
**B36FD50SNS/B Dimensions**

Measurements in inches (mm)



A: Add 5/8" (17) with front leveling feet fully extended  
 B: Add 1" (25) for fixed spacers on back

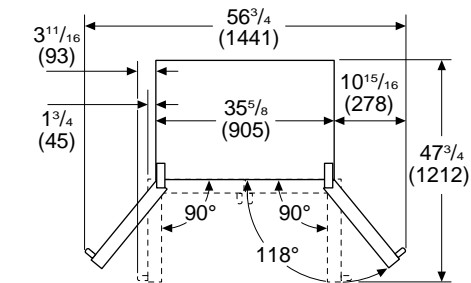
Measurements in inches (mm)



A: Add 5/8" (17) with front leveling feet fully extended

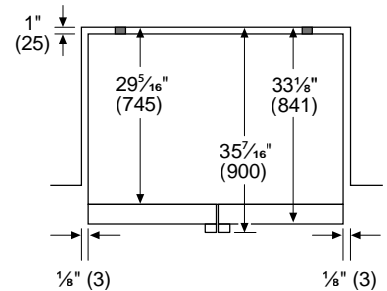
**B36FD50SNS/B Dimensions (Overhead Views)**

Measurements in inches (mm)



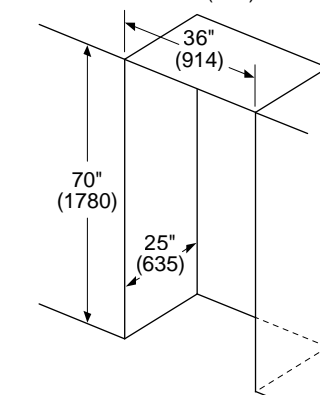
Drawers can be pulled out with door open to 90°  
 Drawers can be taken out with door completely opened

measurements in inches (mm)



**B36FD50SNS/B Installation**

measurements in inches (mm)



Leave 1/2" (12.7) gap at the top behind the refrigerator for pro

It is recommended that you do not place refrigerator near a heat source or a range.

**Optional Accessories**

**BORPLFTR55**  
 UltraClarityPro® Replacement Water Filter

**10012733**  
 90 Degree Door Stopper



# 500 Series French Door Refrigerators



**500 Series**  
**B36FD52SNS (Stainless Steel)**  
**B36FD52SNB (Black Stainless Steel)**  
**French Door**

- Standard-Depth
- QuickIce Pro® System (Produces up to 12 lbs of Ice per Day)
- UltraClarityPro® Water Filter
- Anti-Fingerprint Stainless Steel
- MultiAirFlow™ Cooling System
- Home Connect®



### 500 Series 36" Standard-Depth

Stainless Steel – B36FD52SNS  
 Black Stainless Steel – B36FD52SNB

#### Dimensions and Weight

Overall width	35 5/8"
Overall height	70**
Overall depth with doors and handles	32 1/8"
Overall depth without doors and handles	28 3/8"
Required cutout size (HxWxD)	70" x 36" x 25"
Net Weight /Gross Weight (approx.)	327 / 355 lbs

#### Style

Color	Stainless Steel
Door handle type	Bar handle
Interior finish	White and stainless steel back wall
Standard depth	Yes

#### Performance

VitaFresh® Plus	Yes
Evaporators / Compressors	1 / 1
QuickIce Pro®	Yes
Automatic defrosting	Yes
External water dispenser	Yes (ice and water)
One touch bottle fill	Yes

#### Capacity and Storage

Total capacity	26 cu. ft.
Refrigerator	18 cu. ft.
Freezer capacity	8 cu. ft.
Full-extension freezer storage drawer	1
2-tiered freezer drawer	Yes
Full width chiller drawer	1
Full extension crisper drawers	2
Storage shelves	4 Adjustable, 1 Fixed
Small door bins	4
Large gallon door bins	2

\*When leveling legs are fully extended, add 5/8" to overall height, total 70 5/8".

#### General Features

Anti-fingerprint stainless steel	Yes
External control panel	Yes
Water filter replacement indicator	Yes
Ice maker	Yes
Ice production (24 hrs.), ice cubes	12 lbs
Ice storage capacity	3 lbs
LED interior and drawer lighting	Yes
Independent cooling systems	1
Cooling system	MultiAirFlow™
Maximum sound level	40 dBA
Wi-Fi-enabled for control with Home Connect® app	Yes

#### Energy Efficiency

Energy consumption	702 kWh/yr
ENERGY STAR® certified	Yes

#### Technical Specs

Required power supply	110-127 V, 60 Hz, 15 amps
Plug type	120V-3 Prong
Power cord length	91"

#### Operating Temperature

Refrigerator: 33°F (1°C) to 43°F (6°C)
Freezer Drawer: -7°F (-22°C) to 6°F (-14°C)
SuperCool: 30°F (-1°C) for approx. 8 hours
SuperFreeze®: -15°F (-26°C) for approx. 8 hours

#### Warranty

Limited warranty, parts & labor	1 Year
---------------------------------	--------

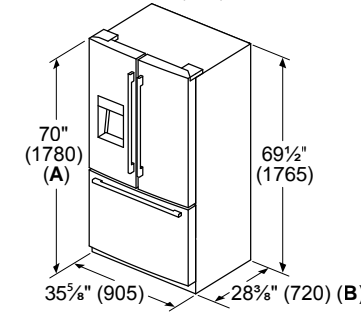
#### Optional Accessories

<b>BORPLFTR55</b> UltraClarityPro® Replacement Water Filter	<b>FPETHKT50</b> Ethylene Filter Kit	<b>10013297</b> Water filter bypass	<b>10012733</b> 90 Degree Door Stopper
--	---	--	---

# 500 Series French Door Refrigerators

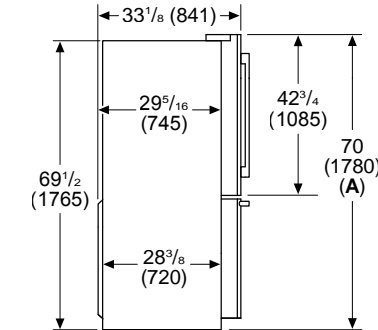
### B36FD52SNS/B Dimensions

Measurements in inches (mm)



**A:** Add 5/8" (17) with front leveling feet fully extended  
**B:** Add 1" (25) for fixed spacers on back

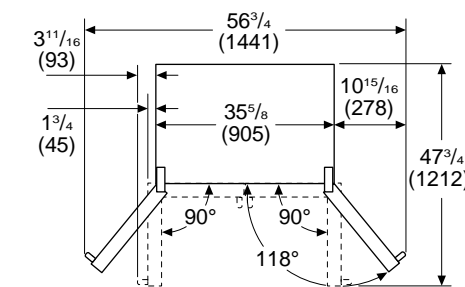
Measurements in inches (mm)



**A:** Add 1/4" (6 mm) with front levelling feet fully extended

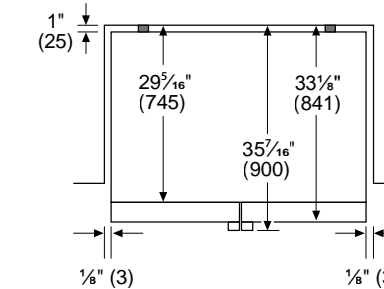
### B36FD52SNS/B Dimensions (Overhead Views)

Measurements in inches (mm)



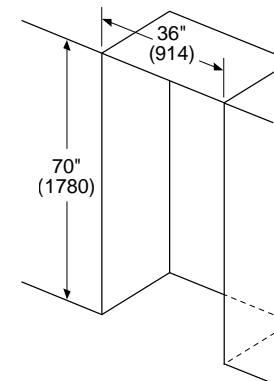
Drawers can be pulled out with door open to 90°  
 Drawers can be taken out with door completely opened

measurements in inches (mm)



### B36FD52SNS/B Installation

measurements in inches (mm)



Leave 1/2" (12.7) gap at the top and 1" (25.4) behind the refrigerator for proper ventilation.

It is recommended that you do not install the refrigerator near a heat source such as a stove or a range.



# 500 Series French Door Refrigerators



**500 Series**  
**B36CD50SNS (Stainless Steel)**  
**B36CD50SNB (Black Stainless Steel)**  
**French Door**

- Counter-Depth
- QuickIce Pro® System
- UltraClarityPro® Water Filter
- Easy Clean Stainless Steel
- MultiAirFlow™ Cooling System
- Home Connect®



**500 Series 36" Counter-Depth**

Stainless Steel – B36CD50SNS  
 Black Stainless Steel – B36CD50SNB

**General Properties**

Full 69" height and true counter depth for built-in appearance	Yes
Easy Clean Stainless Steel	Yes
Lighting	Recessed LED light bars
Number of evaporators	1
Defrost process refrigerator section	Frost-free
Number of shelves – refrigerator	5
Adjustable tempered glass shelves – refrigerator	4 half-width
Type of shelves – refrigerator	Frameless split shelves with chromed trim
Ice maker	Yes
Water filter	UltraClarityPro®
External water and ice dispenser	Yes
Gallon storage bins	2
Humidity control compartments	2
Full width drawer	1
Touch control panel	Yes
AirFresh® filter, MultiAirFlow™	Yes, yes
Stainless steel back wall	Yes
Defrost process freezer section	Automatic
Number of drawers – freezer	3
Home Connect® (Wi-Fi enabled)	Yes

**Capacity**

Total capacity	21.6 cu. ft.
Refrigerator / Freezer capacity	15.2 cu. ft. / 6.4 cu. ft.

**Technical Details**

Current, Volts, Frequency	15 A, 115 V, 60 Hz
Power cord length	67"
Plug type	120V-3 prong

**Dimensions & Weight**

Appliance dimensions with hinges, handles and doors (HxWxD)	70" x 35 5/8" x 31 1/8"
Appliance dimensions without hinges and doors (HxWxD)	69 1/2" x 35 5/8" x 24"***
Appliance dimensions with hinges and doors, no handles (HxWxD)	70" x 35 5/8" x 28 3/4"
Required cutout size (HxWxD)	70" x 36" x 25"
Net weight	350 lbs

**Efficiency**

ENERGY STAR® certified	Yes
Energy consumption	656 kWh/yr

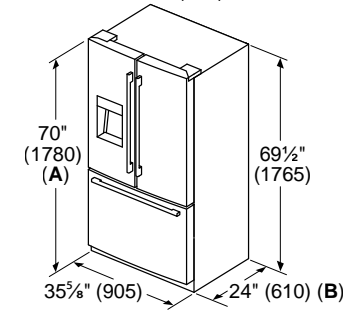
\*When leveling legs are fully extended, add 5/8" to overall height, total 70 5/8".

\*\*The cutout depth of 25" includes the required 1" airflow. The electrical covers on the back of unit do not require additional depth.

# 500 Series French Door Refrigerators

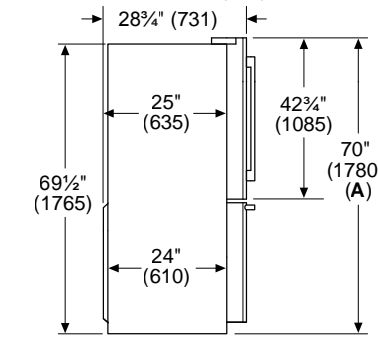
**B36CD50SNS/B Dimensions**

Measurements in inches (mm)



A: Add 5/8" (17) with front leveling feet fully extended  
 B: Add 1" (25) for fixed spacers on back

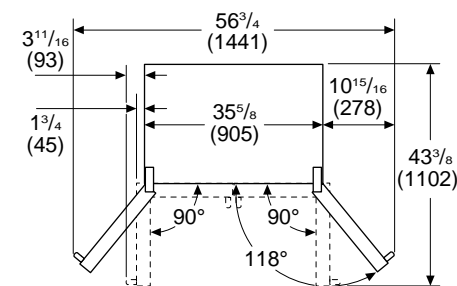
Measurements in inches (mm)



A: Add 5/8" (17) with front leveling feet fully extended

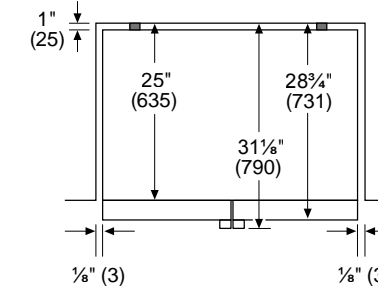
**B36CD50SNS/B Dimensions (Overhead Views)**

Measurements in inches (mm)



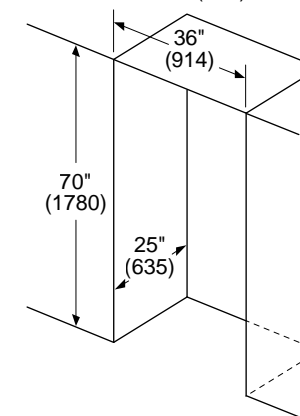
Drawers can be pulled out with door open to 90°  
 Drawers can be taken out with door completely opened

Measurements in inches (mm)



**B36CD50SNS/B Installation**

measurements in inches (mm)



Leave 1/2" (12.7) gap at the top and 1" (25.4) behind the refrigerator for proper ventilation. It is recommended that you do not install the refrigerator near a heat source such as an oven or a range.

**Optional Accessories**

**BORPLFTR55**  
 UltraClarityPro® Replacement Water Filter

**10012733**  
 90 Degree Door Stopper



# 100 Series French Door Refrigerators



**100 Series**  
**B36FD10ENS (Stainless Steel)**  
**French Door**

- Standard-Depth
- QuickIce Pro® System (Up to 8 lbs of Ice per Day)
- UltraClarityPro® Water Filter
- Anti-Fingerprint Stainless Steel
- MultiAirFlow™ Cooling System
- Home Connect®



**100 Series 36" Standard-Depth**

Stainless Steel – B36FD10ENS

**Dimensions and Weight**

Overall width	35 5/8"
Overall height	70"
Overall depth with doors and handles	33 1/8"
Overall depth without doors and handles	28 3/8"
Required cutout size (HxWxD)	70" x 36" x 25"
Net Weight /Gross Weight (approx.)	327 / 355 lbs

**Style**

Color	Stainless Steel
Door handle type	Integrated handle
Interior finish	White
Standard depth	Yes

**Performance**

VitaFresh® Plus	No
Evaporators / Compressors	1 / 1
QuickIce Pro®	Yes
Automatic defrosting	Yes
External water dispenser	Yes
One touch bottle fill	Yes

**Capacity and Storage**

Total capacity (cu. ft.)	26
Refrigerator (cu. ft.)	18
Freezer capacity (cu. ft.)	8
Full-extension freezer storage drawer	1
2-tiered freezer drawer	Yes
Full width chiller drawer	1
Full extension crisper drawers	2
Storage shelves	3 Adjustable, 1 Fixed
Small door bins	4
Large gallon door bins	2

**General Features**

Anti-fingerprint stainless steel	Yes
External control panel	Yes
Water filter replacement indicator	Yes
Ice maker	Yes
Ice production (24 hrs.), ice cubes	8 lbs.
Ice storage capacity (lbs.)	2.8
LED interior and drawer lighting	Yes
Independent cooling systems	1
Cooling system	MultiAirFlow™
Maximum sound level	40 dBA
Wi-Fi-enabled for control with Home Connect® app	Yes

**Energy Efficiency**

Energy consumption (kWh/yr)	702
ENERGY STAR® certified	Yes

**Technical Specs**

Required power supply	110-127 V, 60 Hz, 15 amps
Plug type	120V-3 Prong
Power cord length (inches)	91"

**Operating Temperature**

Refrigerator: 33°F (1°C) to 43°F (6°C)
Freezer Drawer: -7°F (-22°C) to 6°F (-14°C)
SuperCool: 30°F (-1°C) for approx. 8 hours
SuperFreeze®: -15°F (-26°C) for approx. 8 hours

**Warranty**

Limited warranty, parts & labor	1 Year
---------------------------------	--------

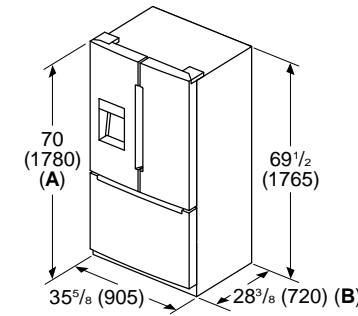
**Optional Accessories**

<b>BORPLFR55</b> UltraClarityPro® Replacement Water Filter	<b>10013297</b> Water filter bypass	<b>10012733</b> 90 Degree Door Stopper	<b>FPETHRF50</b> Ethylene Filter Refill Kit	<b>FPETHKTS0</b> Ethylene Filter Starter Kit
---	--	---	--	---

# 100 Series French Door Refrigerators

**B36FD10ENS Dimensions**

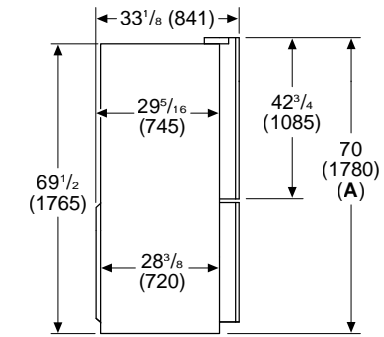
Measurements in inches (mm)



**A:** Add 1/4" (6 mm) with front leveling feet fully extended

**B:** Add 1" (25 mm) for fixed spacers on back

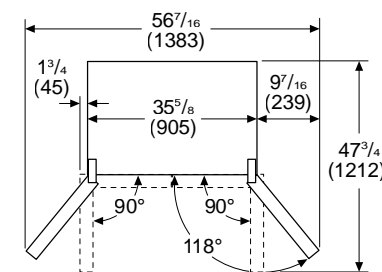
Measurements in inches (mm)



**A:** Add 1/4" (6 mm) with front leveling feet fully extended

**B36FD10ENS Dimensions (Overhead Views)**

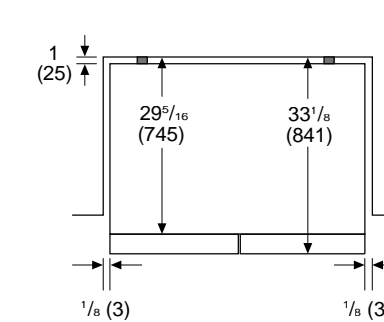
Measurements in inches (mm)



Drawers can be pulled out with door open to 90°

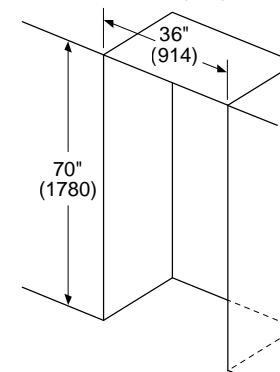
Drawers can be taken out with door completely opened

Measurements in inches (mm)



**B36FD10ENS Installation**

measurements in inches (mm)

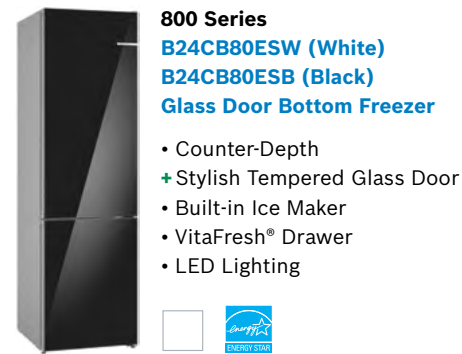


Leave 1/2" (12.7) gap at the top and 1" (25.4) behind the refrigerator for proper ventilation.

It is recommended that you do not install the refrigerator near a heat source such as a stove or a range.



# 800 / 500 Series 24" Bottom Freezer Refrigerators



- 800 Series**  
**B24CB80ESW (White)**  
**B24CB80ESB (Black)**  
**Glass Door Bottom Freezer**
- Counter-Depth
  - + Stylish Tempered Glass Door
  - Built-in Ice Maker
  - VitaFresh® Drawer
  - LED Lighting



- 800 Series**  
**B24CB80ESS**  
**Bottom Freezer**
- Counter-Depth
  - + Built-in Ice Maker
  - VitaFresh® Drawer
  - LED Lighting
  - Easy Clean Stainless Steel



- 500 Series**  
**B24CB50ESS**  
**Bottom Freezer**
- Counter-Depth
  - VitaFresh® Drawer
  - LED Lighting
  - Easy Clean Stainless Steel

+ Indicates a step-up feature

	800 Series 24" Counter-Depth	800 Series 24" Counter-Depth	500 Series 24" Counter-Depth
	White Glass – B24CB80ESW Black Glass – B24CB80ESB	Stainless Steel – B24CB80ESS	Stainless Steel – B24CB50ESS

### General Properties

Reversible door hinge	Yes	Yes	Yes
Easy Clean Stainless Steel	Yes	Yes	Yes
Water filter	Yes	Yes	No
Lighting	LED	LED	LED
Defrost process refrigerator section	Frost-free	Frost-free	Frost-free
Adjustable Tempered glass shelves – refrigerator	3	3	3
Door storage bins	7	7	7
Humidity control drawer	1	1	1
Defrost process freezer section	Automatic	Automatic	Automatic
Number of drawers – freezer	3	3	3
Ice maker	Yes	Yes	No
Pyramid Ice	Yes	Yes	No
Ice Capacity	5.2 lbs.**	5.2 lbs.**	N/A
MultiAirFlow™	Yes	Yes	Yes
Home Connect® (Wi-Fi enabled)	Yes	Yes	No

### Capacity

Total unit capacity – AHAM	12.8 cu. ft.	12.8 cu. ft.	12.8 cu. ft.
Refrigerator capacity	9.2 cu. ft.	9.2 cu. ft.	9.2 cu. ft.
Freezer capacity	3.6 cu. ft.	3.6 cu. ft.	3.6 cu. ft.

### Technical Details

Current	10 A	10 A	10 A
Volts	110 – 120 V	110 – 120 V	110 – 120 V
Frequency	60 Hz	60 Hz	60 Hz
Power cord length	94"	94"	94"
Plug type	120V-3 prong	120V-3 prong	120V-3 prong

### Dimensions & Weight

Appliance dimensions (HxWxD)	79 15/16" x 23 5/8" x 26 3/16"	79 15/16" x 23 5/8" x 26 3/16"	79 15/16" x 23 5/8" x 26 3/16"
Required cutout size (HxWxD)*	80 7/16" x 24" x 24"	80 7/16" x 24" x 24"	80 7/16" x 24" x 24"
Net weight	188.49 lbs	165.34 lbs	160.93 lbs

### Efficiency

ENERGY STAR® certified	Yes	Yes	Yes
Energy consumption	490 kWh/yr	490 kWh/yr	406 kWh/yr

### Accessories – Included

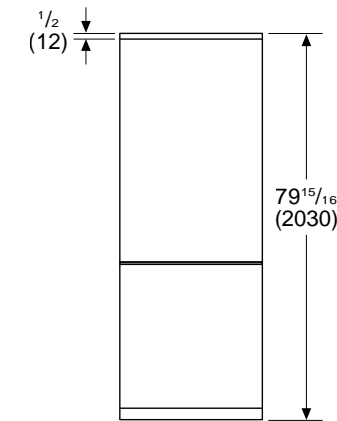
Included	–	–	1 ice cube tray
----------	---	---	-----------------

\*Add 3/4" (1.9 cm) to the height dimension when leveling legs are fully extended

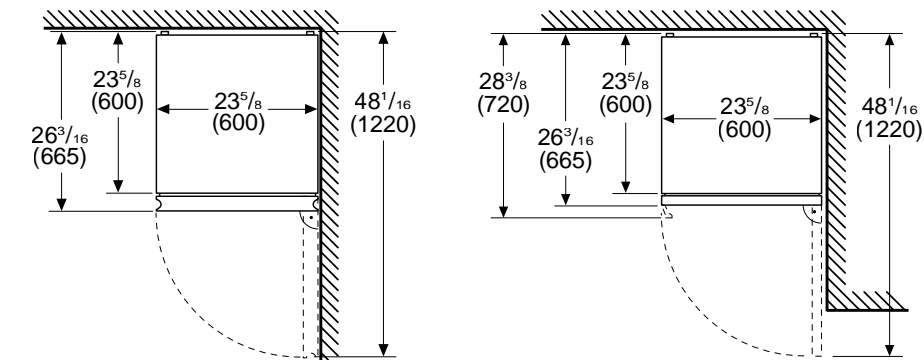
\*\*2.6 lbs of ice storage per bin. Both bins must be used for ice storage to obtain maximum capacity of 5.2 lbs.

# 800 / 500 Series 24" Bottom Freezer Refrigerators

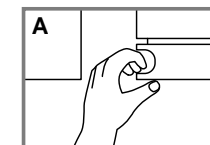
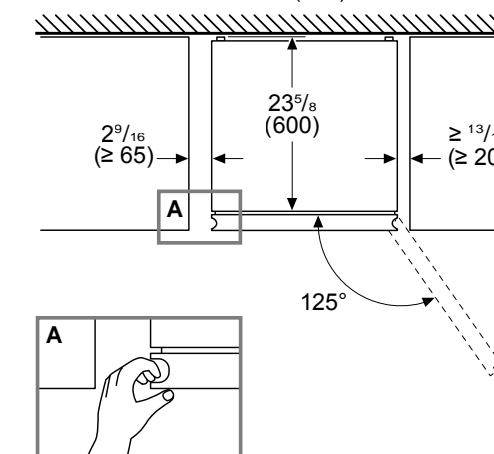
### Dimensions



### Installation (Overhead Views)



### Measurements in inches (mm)



### Optional Accessories

- BORPLFTR55**  
UltraClarityPro® Replacement Water Filter



# 800 Series 22" Built-in Bottom Freezer Refrigerator



**800 Series**  
**B09IB91NSP**  
**Built-in Custom Panel Bottom Freezer with Home Connect®**

- + Home Connect®
- Custom Panel Ready
- Installs Completely Flush
- Recessed LED lighting
- + VitaFreshPro® Drawer



+ Indicates a step-up feature

**800 Series 22" with Home Connect®**

Custom Panel – B09IB91NSP

**General Properties**

Reversible door hinge	Yes
Water filter	No
Lighting	Recessed LED lighting
Defrost process refrigerator section	Frost-free
Number of shelves – refrigerator	3
Adjustable shelves – refrigerator	2
Shelf material – refrigerator	Tempered glass with metal trim
Type of shelves – refrigerator	Full-width
Gallon storage bins	No
Humidity and temperature controlled drawer	VitaFreshPro®
Defrost process freezer section	Automatic
Number of drawers – freezer	3
Ice packs	2
MultiAirFlow™	Yes
Home Connect® (Wi-Fi enabled)	Yes
Small item railing	Yes, in the door bin
Soft close capability	Yes

**Capacity**

Total capacity	8.3 cu. ft.
----------------	-------------

**Technical Details**

Current	10 A
Volts	120 V
Frequency	60 Hz
Power cord length	90.5"
Plug type	3-Prong

**Dimensions & Weight**

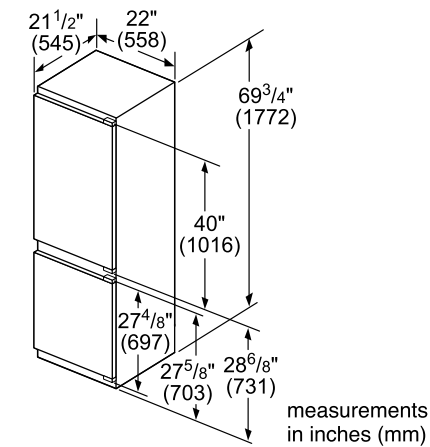
Appliance dimensions (HxWxD)	69 3/4" x 22" x 21 1/2"
Required cutout size (HxWxD)	70" x 22 1/16" x 22 1/16"
Net weight	145 lbs

**Efficiency**

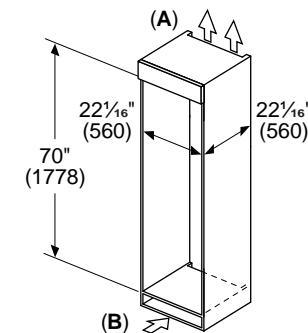
ENERGY STAR® certified	Yes
Energy consumption	388 kWh/yr

# 800 Series 22" Built-in Bottom Freezer Refrigerator

**B09IB91NSP Dimensions**

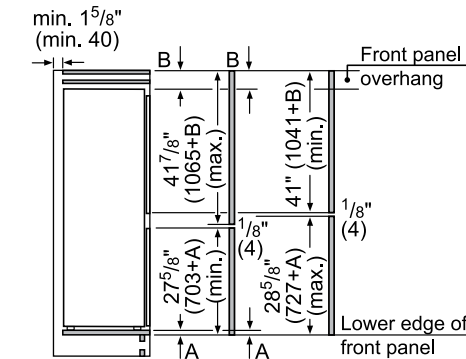


**B09IB91NSP Installation**



- A: Air outlet  $\geq 31^{1/2}$  ( $\geq 200$  cm<sup>2</sup>)
- B: Ventilation space in the base  $\geq 31^{1/2}$  ( $\geq 200$  cm<sup>2</sup>)

measurements in inches (mm)



The specified unit door dimensions are valid for a door gap of 1/8" (4 mm).  
 measurements in inches (mm)

**Recommended Gap Dimensions for Flat Hinges**

	<b>F</b>	<b>R</b>	<b>X</b>
16-19	0-3	2.5	
	20	0-1	3
21	2-3	2.5	
	20	0-1	3
22	2-3	2.5	
	22	0	4
	22	1	3.5
	2-3	3	

The gap dimensions recommended in the table must be maintained to guarantee collision-free opening of appliance doors and avoid damage to kitchen furniture.

Measurements in mm

**IMPORTANT:** Handleless Panels should not be installed on units without the soft close capability. If you are uncertain if you have a refrigeration unit with soft close capability please contact our customer team by calling 1-800-944-2904.





# Laundry

With sleek, functional, compact designs, Bosch washers and dryers fit your home as much as your lifestyle. Surprisingly spacious and efficient, Bosch's compact 24" design seamlessly integrates into any laundry space either stacked or side-by-side. Our ENERGY STAR® certified washers and dryers are engineered with a variety of cycles to clean faster and preserve delicate fabrics. Ultra quiet, these space-saving, compact machines are designed to lighten life's laundry load.

The 800 and 500 Series heat pump dryers with Self-cleaning Condenser™ reduce energy usage by approximately 60%\* for a more efficient dry.

Also fitted with Home Connect®, the 800 and 500 Series laundry pairs can be remotely controlled and monitored from your smart device so you can effortlessly tackle your to-do list.

\*Based on a comparison of Bosch condensation dryers and Bosch dryers with heat pump technology, as listed on the energy star website.



# 24" Compact Washer



**800 Series**  
WGB246AXUC

- Home Connect® Controls Washer Remotely
- AquaStop® Plus Leak Protection
- Premium LED Controls
- Illuminated Selection Jog Dial
- LED Interior Light
- SuperQuick 15/30™
- + i-DOS technology



+ Indicates a step-up feature

**800 Series**

Pearl Steel – WGB246AXUC

**General Properties**

Tub material	Stainless steel
Maximum spin speed	1,600 rpm
Interior light	Yes (LED)
Leak protection systems	AquaStop® Plus
Internal water heater	Yes
Stackable	Yes with Stacking Kit Accessory
Silence level – washing	51 dBA
Silence level – spinning	75 dBA
Programs (No.), [Special]	(13) [Sanitize, SuperQuick 15/30™]
Options (No.), [Special]	(10) [Remote Start, SpeedPerfect®]
Home Connect® (Wi-Fi enabled)	Yes
Energy consumption	105 kWh/yr
Water consumption	2,430 gal/yr
ENERGY STAR® certified	Most Efficient 2024

**Capacity**

Capacity	2.4 cu. ft.
----------	-------------

**Design Elements**

Door ring	Chrome
Control type	Premium LED touch
Dial	Illuminated jog dial
Bosch logo on door glass	Yes

**Technical Details**

Watts	2,000 W
Circuit breaker	15 A*
Volts	208/220-240 V
Current	10.5 A
Frequency	60 Hz
Power cord (included) [Type]	(Yes) [240V; NEMA 6-15 3-prong]
Power cord length	63" (full length)
Drain / inlet hose length	57" / 59" (full length)
Door hinge	Left side (not reversible)

**Dimensions & Weight**

Overall dimensions (HxWxD)	33 1/4" x 23 1/2" x 25 1/2"
Net weight	182 lbs
Minimum stack height	67 3/4"

ADA compliance† Meets ADA height and access requirements *when installed on pedestal*.  
Meets ADA operable parts requirements for controls and detergent dispenser.

\*Stated circuit breaker size is if the appliance is plugged into an individual 240/208V, 15A minimum branch circuit.

†To be fully ADA compliant, these units must be installed according to ADA guidelines. Please check current ADA requirements for guidance on installation.

**NOTE:** See page 277 for Accessories

# 24" Compact Washers



**500 Series**  
WGB24600UC

- + Home Connect® Controls Washer Remotely
- + AquaStop® Plus Leak Protection
- + Premium LED Controls
- + Illuminated Selection Jog Dial
- + LED Interior Light
- + SuperQuick 15/30™
- + 4D Wash System



+ Indicates a step-up feature

**500 Series**

White – WGB24600UC

**General Properties**

Tub material	Stainless steel	Stainless steel
Maximum spin speed	1,600 rpm	1,400 rpm
Interior light	Yes (LED)	No
Leak protection systems	AquaStop® Plus	Reinforced hose
Internal water heater	Yes	Yes
Stackable	Yes with Stacking Kit Accessory	Yes with Stacking Kit Accessory
Silence level – washing	51 dBA	52 dBA
Silence level – spinning	75 dBA	72 dBA
Programs (No.), [Special]	(13) [Sanitize, SuperQuick 15/30™]	(15), [Allergen, Jeans, Heavy Duty]
Options (No.), [Special]	(10) [Remote Start, SpeedPerfect®]	(6), [SpeedPerfect®, PreWash]
Home Connect® (Wi-Fi enabled)	Yes	No
Energy consumption	105 kWh/yr	84 kWh/yr
Water consumption	2,430 gal/yr	2,379 gal/yr
ENERGY STAR® certified	Most Efficient 2024	Yes

**Capacity**

Capacity	2.4 cu. ft.	2.2 cu. ft.
----------	-------------	-------------

**Design Elements**

Door ring	Chrome	White
Control type	Premium LED touch	Touch
Dial	Illuminated jog dial	White
Bosch logo on door glass	Yes	No

**Technical Details**

Watts	2,000 W	2,520 W
Circuit breaker	15 A**	15 A**
Volts	208/220-240 V	208/220-240 V
Current	10.5 A	10.5 A
Frequency	60 Hz	60 Hz
Power cord (included) [Type]	(Yes) [240V; NEMA 6-15, 3-prong]	(Yes) [240V; NEMA 6-15, 3-prong]
Power cord length	63" (full length)	63" (full length)
Drain / inlet hose length	57" / 59" (full length)	57" / 48" (full length)
Door hinge	Left side (not reversible)	Left side (not reversible)

**Dimensions & Weight**

Overall dimensions (HxWxD)	33 1/4" x 23 1/2" x 25 1/2"	33 1/4" x 23 1/2" x 24 1/4"
Net weight	182 lbs	158 lbs
Minimum stack height	67 3/4"	67 3/4"

ADA compliance† Meets ADA height and access requirements *when installed on pedestal*.  
Meets ADA operable parts requirements for controls and detergent dispenser.

\*As compared to Perm Press Heavy Soil cycle without SpeedPerfect®  
\*\*Stated circuit breaker size is if the appliance is plugged into an individual 240/208V, 15A minimum branch circuit.

†To be fully ADA compliant, these units must be installed according to ADA guidelines. Please check current ADA requirements for guidance on installation.

**NOTE:** See page 277 for Accessories





# 24" Compact Dryer



**800 Series (Heat Pump)** Home Connect  
**WQB245AXUC**

- Home Connect® Controls Dryer Remotely
- + Steam Restore
- Self-cleaning Condenser™
- Reversible Door
- Stainless Steel Drum
- Lower Noise 62 dBA



+ Indicates a step-up feature

**800 Series**

Pearl Steel – WQB245AXUC

**General Properties**

Dryer type	Heat pump
Drum material	Stainless steel
Interior light	Yes (LED)
Ventless drying (no ducting)	Yes
Stackable	Yes with Stacking Kit Accessory
Silence level	62 dBA
Programs (No.), [Special]	(13) [Steam Restore, Sportswear]
Options (No.), [Special]	(8) [Smart Dry, Dryness Level]
Home Connect® (Wi-Fi enabled)	Yes
Energy consumption	125 kWh/yr
ENERGY STAR® certified	Most Efficient 2024

**Capacity**

Capacity	4.0 cu. ft.
----------	-------------

**Design Elements**

Door ring	Chrome
Control type	Premium LED touch
Dial	Illuminated jog dial
Bosch logo on door glass	Yes

**Technical Details**

Energy source	Electric
Watts	900 W
Circuit breaker	15 A*
Volts	208/220-240 V
Current	4 A
Frequency	60 Hz
Power cord (included) [Type]	(Yes) [240V; NEMA 6-15, 3-prong]
Power cord length	63" (full length)
Drain hose length	78" (full length)
Door hinge	Right side (reversible)

**Dimensions & Weight**

Overall dimensions (HxWxD)	33 1/4" x 23 1/2" x 26"
Net weight	128 lbs
Minimum stack height	67 3/4"
ADA compliance†	Meets ADA height and access requirements <i>when installed on pedestal</i> . Meets ADA operable parts requirements for controls and lint filter.

\*Stated circuit breaker size is if the appliance is plugged into an individual 240/208V, 15A minimum branch circuit.  
†To be fully ADA compliant, these units must be installed according to ADA guidelines.  
Please check current ADA requirements for guidance on installation.

**NOTE:** See page 277 for Accessories

# 24" Compact Dryers



**500 Series (Heat Pump)** Home Connect  
**WQB245B0UC**

- + Home Connect® Controls Dryer Remotely
- + Smart Dry
- + Self-cleaning Condenser™
- + Reversible Door
- + Stainless Steel Drum
- + Lower Noise 62 dBA



+ Indicates a step-up feature

**500 Series**

White – WQB245B0UC

**General Properties**

Dryer type	Heat pump	Condensing
Drum material	Stainless steel	Stainless Steel
Interior light	Yes (LED)	No
Ventless drying (no ducting)	Yes	Yes
Stackable	Yes with Stacking Kit Accessory	Yes with Stacking Kit Accessory
Silence level	62 dBA	67 dBA
Programs (No.), [Special]	(13) [Quick Dry, Auto, Sportswear]	(15), [Jeans, Heavy Duty]
Options (No.), [Special]	(8) [Smart Dry, Dryness Level]	(6), [Dry Level, Finished In]
Home Connect® (Wi-Fi enabled)	Yes	No
Energy consumption	125 kWh/yr	315 kWh/yr
ENERGY STAR® certified	Most Efficient 2024	Yes

**Capacity**

Capacity	4.0 cu. ft.	4.0 cu. ft.
----------	-------------	-------------

**Design Elements**

Door ring	Chrome	White
Control type	Premium LED touch	Touch
Dial	Illuminated jog dial	White
Bosch logo on door glass	Yes	No

**Technical Details**

Energy source	Electric	Electric
Watts	900 W	2,520 W
Circuit breaker	15 A*	15 A*
Volts	208/220-240 V	208/220-240 V
Current	4 A	10.5 A
Frequency	60 Hz	60 Hz
Power cord (included) [Type]	(Yes) [240V; NEMA 6-15, 3-prong]	(Yes) [240V; NEMA 6-15, 3-prong]
Power cord length	63" (full length)	63" (full length)
Drain hose length	78" (full length)	78" (full length)
Door hinge	Right side (reversible)	Right side (not reversible)

**Dimensions & Weight**

Overall dimensions (HxWxD)	33 1/4" x 23 1/2" x 26"	33 1/4" x 23 1/2" x 25"
Net weight	126 lbs	94 lbs
Minimum stack height	67 3/4"	67 3/4"
ADA compliance†	Meets ADA height and access requirements <i>when installed on pedestal</i> . Meets ADA operable parts requirements for controls and lint filter.	

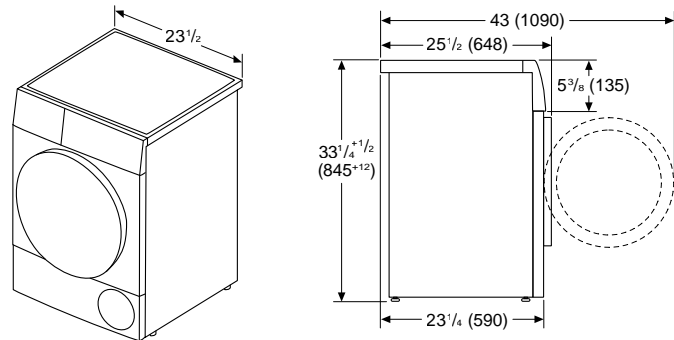
\*Stated circuit breaker size is if the appliance is plugged into an individual 240/208V, 15A minimum branch circuit.  
†To be fully ADA compliant, these units must be installed according to ADA guidelines.  
Please check current ADA requirements for guidance on installation.

**NOTE:** See page 277 for Accessories

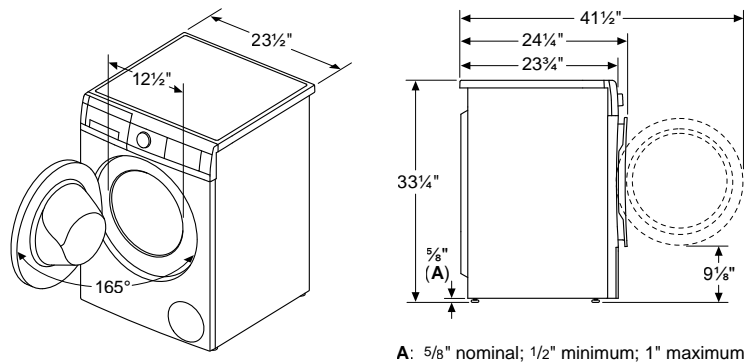


# 24" Compact Washers

## 800 Series and 500 Series Dimensions and Installation

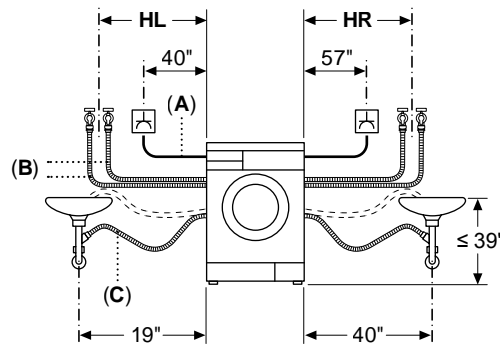


## 300 Series Dimensions and Installation



A: 5/8" nominal; 1/2" minimum; 1" maximum

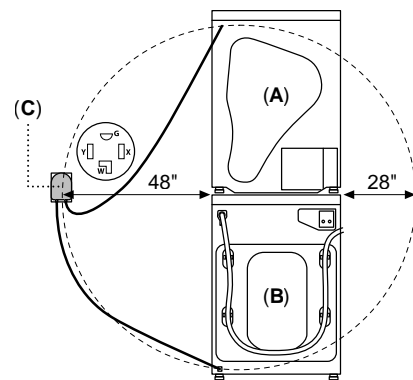
## 800 Series, 500 Series and 300 Series



Washer Model	Supply Hose length	
	HL	HR
WGA12400UC	37"	21"
WGB24600UC	43"	28"
WGB246AXUC	43"	28"

- ⚡ Electrical Receptacle
- A: Power Cord
- B: Supply Hoses
- C: Drain Hose

## Reach of Power cords + Adapter (Not to Scale)

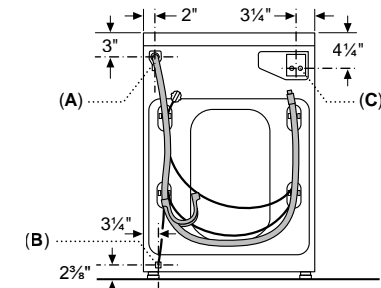


- A: Dryer
  - B: Washer
  - C: Power Adapter
- All references to NEMA 14-30R Dryer receptacles in this document have the orientation with the ground pin up.

Use of two individual NEMA 6-15R or 6-20R receptacles may be used as alternative means to power Washer and Dryer.

Dimensions reflect use of stacking kits.

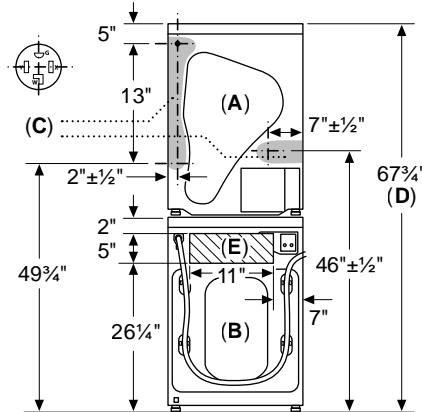
## 800 Series, 500 Series and 300 Series



- A: Drain exit
- B: Power cord exit
- C: Supply hoses (Hot and Cold)

## 800 Series, 500 Series and 300 Series

### Guidance for location of Dryer receptacle and Water taps to minimize depth allowance (Not to Scale)



- A: Dryer
- B: Washer
- C: Axis lines, in shaded areas, indicate Center Line of home's Dryer receptacle for minimal depth allowance if located entirely behind appliances.
- D: Minimum Stack Height (with Stacking Kit)
- E: Hatched area - indicates location for home's Hot and Cold water taps/outlets for minimal depth if located entirely behind appliances.

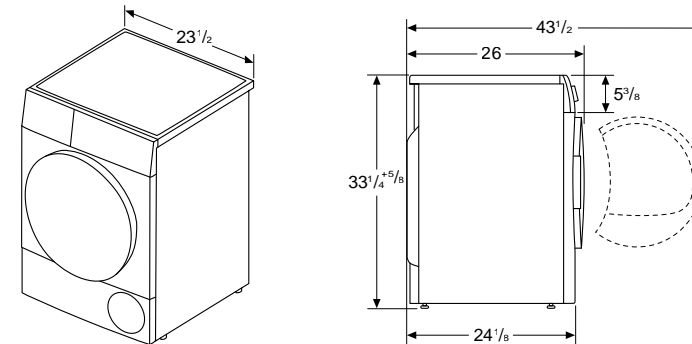
Installer / Customer is responsible for fit, function, maintenance and safety of utility installation.

measurements in inches

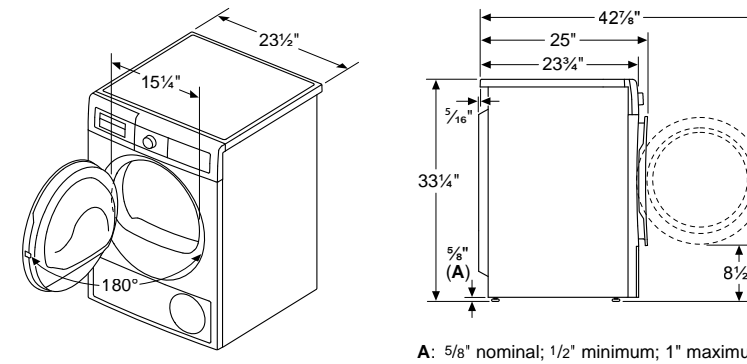
**NOTE:** See page 276 for details on installing under counter or in a closet and pedestal dimensions.

# 24" Compact Dryers

## 800 Series, 500 Series Dimensions and installation



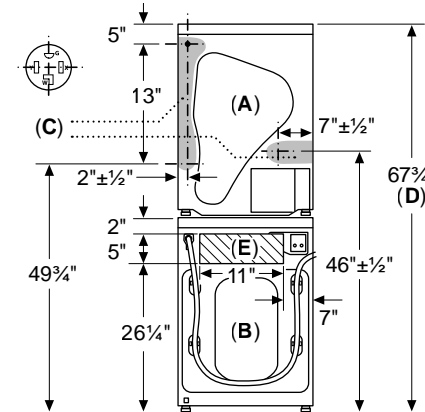
## 300 Series Dimensions and installation



A: 5/8" nominal; 1/2" minimum; 1" maximum

## 800 Series, 500 Series and 300 Series

### Guidance for location of Dryer receptacle and Water taps to minimize depth allowance (Not to Scale)

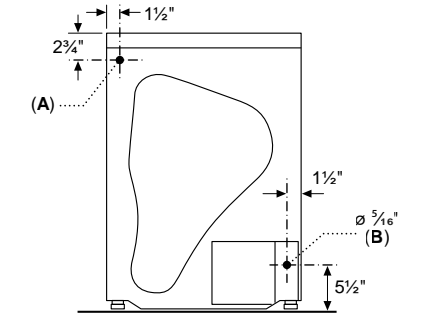


- A: Dryer
- B: Washer
- C: Axis lines, in shaded areas, indicate Center Line of home's Dryer receptacle for minimal depth allowance if located entirely behind appliances.
- D: Minimum Stack Height (with Stacking Kit)
- E: Hatched area - indicates location for home's Hot and Cold water taps/outlets for minimal depth if located entirely behind appliances.

Installer / Customer is responsible for fit, function, maintenance and safety of utility installation.

measurements in inches

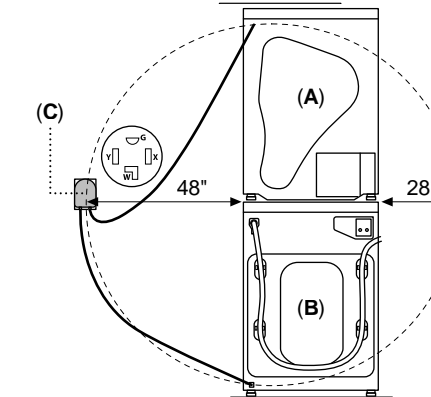
## 800 Series, 500 Series and 300 Series



- A: Power cord exit
- B: Drain exit

## 800 Series, 500 Series and 300 Series

### Reach of Power cords + Adapter (Not to Scale)



- A: Dryer
  - B: Washer
  - C: Power Adapter
- All references to NEMA 14-30R Dryer receptacles in this document have the orientation with the ground pin up.

Use of two individual NEMA 6-15R or 6-20R receptacles may be used as alternative means to power Washer and Dryer.

Dimensions reflect use of stacking kits.

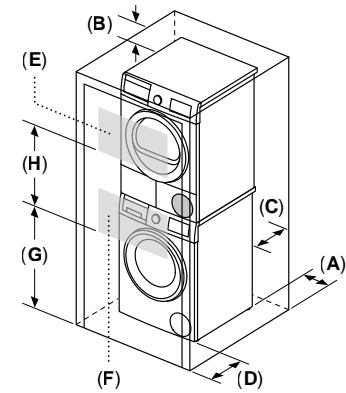
**NOTE:** See page 276 for details on installing under counter or in a closet and pedestal dimensions.



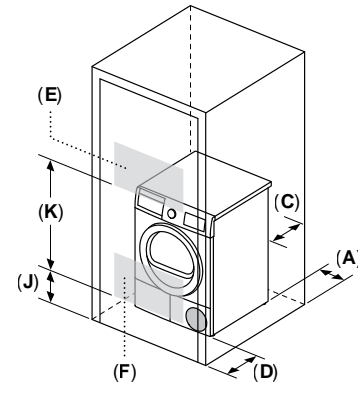
# 24" Washers and Dryers Installed in Enclosure

## Enclosure Dimensions

### Closet: Stacked Washer and Condensation Dryer



### Closet: Stand Alone (shown) or Side by Side

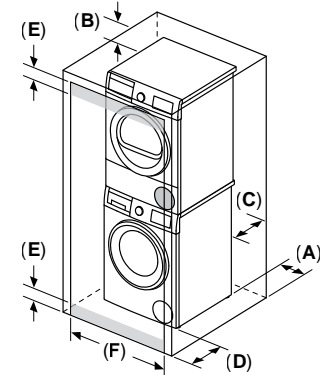


**Minimum clearance requirements**  
(Stacked, Stand Alone or Side by Side):  
A: Both sides (left and right) – 5/8"  
B: Top – 6 1/4"  
C: Rear – 2 1/2"  
D: Front – 2 1/2"

**Minimum louvered area and spacing:**  
E: Top louver area – 63 sq. in.  
F: Bottom louver area – 63 sq. in.  
G: Lower Height (stacked) – 37"  
H: Upper Height (stacked) – 26"  
J: Lower Height (stand alone) – 3"  
K: Upper Height (stand alone) – 29"

For shortest drying times keep closet door open while dryer is operating. When closet doors are closed, open areas only allow minimal drying results (expect long drying times).

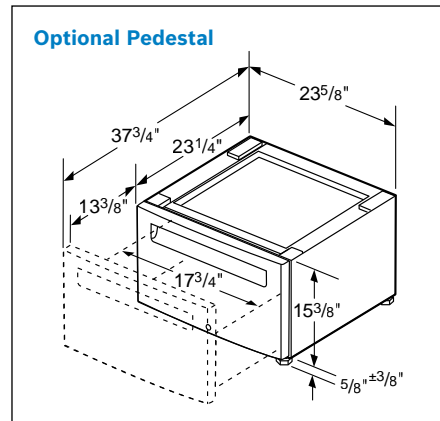
### Closet: Stacked Washer with Heat Pump Dryer



**Minimum clearance requirements**  
(Stacked, Stand Alone or Side by Side):  
A: Both sides (left and right) – 1/2"  
B: Top – 6 1/4"  
C: Rear – 3"  
D: Front – 1/2"

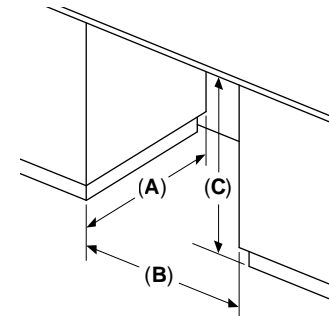
**Minimum door undercut (louvered area):**  
E: Undercut height (Top and Bottom) – 1 1/4"  
Louvered areas of equal total sizes and split between upper and lower portions of door are permitted.  
F: Undercut width (Top and Bottom):  
– 24" minimum for Stacked and Stand Alone  
– 48" minimum for Side by Side

For shortest drying times keep closet door open while dryer is operating. When closet doors are closed, open areas only allow minimal drying results (expect long drying times).



## All 800-500-300 Series Washers & Dryers

### Under Counter (Preferred)

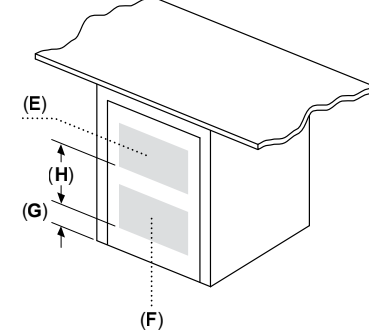


**Minimum opening dimensions:**  
A: Depth – 28"  
B: Width – 23 3/8"  
C: Height – 34 1/2"

Front of appliance fully open.  
No doors or coverings.

## 300 Series Washers & Condensate Dryers

### Under Counter Enclosed (Less Preferred)



If the front of the appliance is covered, louvered openings must be installed as shown and front/rear clearances adhered to according to closet installations.

**Minimum louvered area and spacing:**  
E: Top louver area – 63 sq. in.  
F: Bottom louver area – 63 sq. in.  
G: Lower Height – 3"  
H: Upper Height – 14"

For shortest drying times keep cabinet door open while dryer is operating. When cabinet door is closed, open areas only allow minimal drying results (expect long drying times).

# 24" Washer and Dryer Accessories

## Pedestals and Stacking Kits



**WMZPW2XW**  
Washer Pedestal  
800 Series



**WTZPW2XD**  
Dryer Pedestal  
800 Series



**WMZPW20W**  
Washer Pedestal  
500-300 Series



**WTZPW20D**  
Dryer Pedestal  
500-300 Series



**WTZ2750XUC**  
Stacking Kit with Shelf  
800 Series



**WTZ2751XUC**  
Stacking Kit  
without Shelf  
800 Series



**WTZSB3XUC**  
Stacking Kit with  
brackets 800 Series



**WTZ27500UC**  
Stacking Kit with Shelf  
500 Series



**WTZ27510UC**  
Stacking Kit  
without Shelf  
500 Series



**WTZSB30UC**  
Stacking Kit with Brackets  
500-300 Series

## Additional Accessories



**WTZPA20UC**  
4-Prong Power Adapter  
(Included with Dryer)\*  
800-500-300 Series



**WTZPA30US**  
3-Prong Power Adapter  
800-500-300 Series



**WMZ20600**  
Drying Rack  
800-500-300 Series



**P/N 645787**  
Short Stainless Steel Hose  
(If Needed for Plumbing  
Box Clearance with  
AQS Hose)  
800-500 Series

\*Bosch Dryers are supplied with WTZPA20UC adapter to fit a standard 4-Prong, 30A, Dryer receptacle (NEMA 14-30R) to power both Bosch Washers and Dryers. Note: 3-Prong Adapter may be ordered directly from Bosch (not supplied with Washer or Dryer). Use of two individual NEMA 6-15R or 6-20R receptacles/circuits may be used as alternative means to power Washer and Dryer.








# Experience Bosch.

Bosch appliances are built with precision engineering and invented for life. Whether you would like to research our products, get inspired with kitchen design ideas, or have questions on the use and care of your product, simply browse our online resource library at [bosch-home.com/us](https://bosch-home.com/us).

## Connect with us

Visit us to get inspired and share photos of your new kitchen.

-  [instagram.com/boschhomeus](https://www.instagram.com/boschhomeus)
-  [facebook.com/boschappliances](https://www.facebook.com/boschappliances)
-  [youtube.com/boschhome](https://www.youtube.com/boschhome)
-  [twitter.com/boschhomeus](https://twitter.com/boschhomeus)
-  [pinterest.com/boschhomeus](https://www.pinterest.com/boschhomeus)

## Come visit us at any of our beautiful showroom locations:

### Irvine

17911 Von Karman,  
Suite 100  
Irvine, CA 92614  
949-224-4700

### Miami

112 NE 41st Street,  
Suite 700  
Miami, FL 33137  
305-842-2904

### Chicago

222 Merchandise Mart,  
Suite 108  
Chicago, IL 60654  
312-832-3200

### Houston

BSH Experience & Design Center  
1749 Post Oak Blvd  
Houston, TX 77056  
281-407-3065

### New York

150 East 58th Street,  
Suite 700  
New York, NY 10155  
888-455-8892 or  
917-853-9907

### Beverly Hills **Coming Soon**

BSH Experience & Design Center  
257 N Canon Blvd  
Beverly Hills, CA 90210

Get complete details at

[bosch-home.com/us/experience-bosch/showrooms](https://bosch-home.com/us/experience-bosch/showrooms)



# Service you can trust.

Please don't hesitate to contact us if you have questions on our product line, need advice about use and care, or would like to purchase accessories. We are ready to assist you.

## Bosch Customer Support

Contact us for cleaning & care tips, usage instructions, and more. We're here to help.

- > Appliance Advice
- > Troubleshooting Assistance
- > Service Visit/Repair Scheduling
- > Home Connect® Set-up
- > Cleaners, Accessories & Parts
- > Bosch Appliance Service Plan

**1-800-944-2904**

Call Center Access for U.S. & Canada

[www.bosch-home.com/us/owner-support](http://www.bosch-home.com/us/owner-support)

## Warranty

- > Lifetime Stainless Steel Rust-through Warranty for Dishwashers and Refrigerators
- > One-year Limited Warranty on all Bosch Appliances
- > See page 282 for additional warranty information

## Website

- > How-to Videos
- > Frequently Asked Questions
- > Filters, Accessories, and Parts
- > Owner Manuals
- > Product Registration
- > Find a Dealer
- > Find a Bosch Authorized Servicer

Bosch Home Appliances US:

[www.bosch-home.com/us](http://www.bosch-home.com/us)

Bosch Home Appliances Canada:

[www.bosch-home.ca](http://www.bosch-home.ca)

Important Note: Please refer to installation instructions prior to making cutout. BSH reserves the absolute and unrestricted right to change product materials and specifications, at any time, without notice. Consult the product's installation instructions for final dimensional data and other details. Applicable product warranty can be found in accompanying product literature or you may contact your account manager for further details. For more information on our entire line of products, go to [www.bosch-home.com/us](http://www.bosch-home.com/us) (Canada residents go to [www.bosch-home.ca](http://www.bosch-home.ca)) or call 1-800-944-2904.



# Warranty

## Cooktops & Rangetops

Limited warranty, entire appliance, parts and labor (1 year)

## Ovens

Limited warranty, entire appliance, parts and labor (1 year)

## Microwaves

Limited warranty, entire appliance, parts and labor (1 year)

## Built-in Coffee Machine

Limited warranty, entire appliance, parts and labor (1 year)

## Countertop Espresso Machines

Limited warranty, entire appliance, parts and labor for period of 2 years from the date of the original delivery or 7000 cups, whichever comes first

## Ranges

Limited warranty, entire appliance, parts and labor (1 year)

## Ventilation

Limited warranty, entire appliance, parts and labor (1 year)

## Dishwashers

Limited warranty, entire appliance, parts and labor (1 year)

Limited warranty for microprocessor or printed circuit board; parts only (2nd to 5th year)

Limited warranty for racks (does not include rack components); parts only (2nd to 5th year)

Limited warranty for rust-through on inner tub liner; parts only (lifetime)

## Refrigerators

Limited warranty, entire appliance, parts and labor (1 year)

Limited warranty for non-electronic components; parts only (1st to 2nd year)

Limited warranty for electronic components; parts only (2nd to 5th year)

Limited warranty for rust-through on stainless steel; parts only (lifetime)

## 24" Compact Laundry (Washers & Dryers)

Limited warranty, entire appliance, parts and labor (1 year)

Limited warranty for non-electronic components; parts only (1st to 2nd year)

Limited warranty for control board (microprocessor); parts only (1st to 2nd year)

Limited warranty for motor or any component of the motor (1st to 2nd year)

Warranty Note: Bosch warrants that the Product is free from defects in materials and workmanship for a period of three hundred and sixty-five (365) days from the date of purchase. The foregoing timeline begins to run upon the date of purchase, and shall not be stalled, tolled, extended, or suspended, for any reason whatsoever. This Product is also warranted to be free from cosmetic defects in material and workmanship (such as scratches of stainless steel, paint/porcelain blemishes, chips, dents, or other damage to the finish of the Product, for a period of thirty (30) days from the date of purchase or closing date for new construction. This cosmetic warranty excludes slight color variations due to inherent differences in painted and porcelain parts, as well as differences caused by kitchen lighting, product location, or other similar factors. This cosmetic warranty specifically excludes any display, floor, "As Is", or "B" stock appliances.



# Spec Sheet Download Tool [↓](#)

Click or tap a product number for spec sheet to download.



## Induction Cooktops

### Benchmark® Series

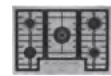
- NITP060UC
- NITP060SUC
- NITP660UC
- NITP660SUC

### 800 Series

- NIT8060UC
- NIT8060SUC
- NIT8660UC
- NIT8660SUC

### 500 Series

- NIT5060UC
- NIT5660UC
- NIT5460UC



## Gas Cooktops

### Benchmark® Series

- NGMP059UC
- NGMP659UC

### 800 Series

- NGM8059UC
- NGM8049UC
- NGM8659UC
- NGM8646UC

### 500 Series

- NGM5059UC
- NGM5659UC
- NGM5453UC



## Electric Cooktops

### Benchmark® Series

- NETP069SUC

### 800 Series

- NET8069UC
- NET8669UC

### 500 Series

- NEM5066UC
- NEM5466UC



## Gas Rangetops

### 800 Series

- RGM8058UC
- RGM8658UC



## Single Ovens

### Benchmark® Series

- HBLP454UC
- HBLP451LUC
- HBLP451RUC

### 800 Series

- HBL8454UC
- HBL8443UC
- HBN8451UC

### 500 Series

- HBL5451UC
- HBL5351UC
- HBE5453UC



## Combination Ovens

### Benchmark® Series

- HBLP752UC

### 800 Series

- HBL8753UC
- HBL8743UC
- HBL87M53UC

### 500 Series

- HBL5754UC
- HBL57M52UC



## Double Ovens

### Benchmark® Series

- HBLP651UC
- HBLP651LUC
- HBLP651RUC

### 800 Series

- HBL8651UC
- HBL8642UC
- HBN8651UC

### 500 Series

- HBL5651UC



## Speed Ovens

### Benchmark® Series

- HMCP0252UC

### 800 Series

- HMC80152UC
- HMC87152UC
- HMC80252UC
- HMC80242UC

### 500 Series

- HMC54151UC



## Microwave Ovens

### Over-the-Range Benchmark® Series

- HMVP054U

### 800/500/300 Series

- HMV8054U
- HMV8045U
- HMV5053U
- HMV3054U

### Drawer Microwaves

- HMD8454UC
- HMD8054UC

### Built-in Microwaves

- HMB57152UC
- HMB50152UC

### Built-in Microwaves

- HMB30155UC



## Warming Drawers

### 500 Series

- HWD5051UC



## Countertop Espresso Machines

### 800 Series

- TQU60703
- TQU60307
- TPU60501
- TPU60309

### 300 Series

- TIU20307
- TIU20109



## Built-in Coffee Machine

- BCM8450UC



## Slide-in Ranges

### Benchmark® Series

- HIIP057U
- HDIP056U
- HGIP056UC

### 800 Series

- HII8057U
- HII8047U
- HEI8056U
- HDI8056U
- HGI8056UC
- HGI8046UC

# Spec Sheet Download Tool [↓](#)

Click or tap a product number for spec sheet to download.



## Industrial Ranges

### 800 Series

- HIS8055U
- HIS8655U
- HGS8055UC
- HGS8045UC
- HDS8055U
- HDS8045U
- HGS8655UC
- HGS8645UC
- HDS8655U
- HDS8645U



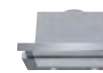
## Chimney Wall Hoods

- HCG56651UC
- HCP80641UC
- HCP86641UC
- HCB50651UC
- HCB56651UC
- HCP50652UC
- HCP30E52UC
- HCP34E52UC
- HCP56652UC
- HCP36E52UC



## Island Hoods

- HIB82651UC



## Pull-Out Hoods

- HUI54452UC
- HUI50351UC
- HUI56551UC



## UnderCabinet Hoods

- DUHP0853UC
- DUHP6853UC
- DUH80553UC
- DUH50353UC
- DUH30253UC
- DPH86553UC
- DUH56353UC
- DUH36253UC



## Custom Inserts

- HUI86553UC
- HUI36253UC
- HUI80553UC
- HUI30253UC
- HUI34253UC



## Downdraft Hoods

- HDD80051UC
- HDD86051UC



## Dishwashers

### Benchmark® Series

- SHP9PCM5N
- SHX9PCM5N
- SHV9PCM3N

### 800 Series

- SHP78CM5N
- SHP78CM2N
- SHP78CM6N
- SHP78CM4N
- SHX78CM5N
- SHX78CM2N
- SHX78CM6N
- SHX78CM4N
- SHV78CM3N

### 500 Series

- SHP95CM5N
- SHP65CM5N
- SHP65CM2N
- SHP65CM6N
- SHX65CM5N

### 300 Series

- SHE53B75UC
- SHE53C85N
- SHE53C82N
- SHE53C86N
- SHE53CE5N
- SHX53CM5N
- SHV53CM3N
- SHS53CD5N
- SHS53CD2N
- SHE41CM5N
- SHE41CM2N
- SHE41CM6N

### 100 Series

- SHX5AE5N
- SHX5AE2N
- SHX5AE6N
- SHX5AE4N
- SHE3AEM2N
- SHE3AEM5N
- SHE3AEM6N
- SHE3AEE5N

### 18" ADA

- SPE53C55UC
- SPE68C75UC
- SPX68C75UC
- SPV68C73UC

### 24" ADA

- SGE53C55UC
- SGX78C55UC
- SGV78C53UC
- SGV43C53UC



## Refrigeration

### Benchmark® Series

- B30IR905SP
- B18IF905SP
- B30BB935SS
- B30IB905SP
- B36BT935NS
- B36IT905NP

### 800 Series

- B36CT80SNS
- B36CT80SNB
- B36CT81ENS
- B36CL80SNS
- B36CL80ENS
- B36CL81ENG
- B36CL81ENW
- B24CB80ESW
- B24CB80ESB
- B24CB80ESS
- B09IB91NSP

### 500 Series

- B36FD50SNS
- B36FD50SNB
- B36FD52SNS
- B36FD52SNB
- B36CD50SNS
- B36CD50SNB
- B24CB50ESS

### 100 Series

- B36FD10ENS



## Compact Washers

### 800 Series

- WGB246AXUC

### 500 Series

- WGB24600UC

### 300 Series

- WGA12400UC



## Compact Dryers

### 800 Series

- WQB245AXUC

### 500 Series

- WQB245B0UC

### 300 Series

- WTG86403UC

## **Visit our Bosch Showrooms:**

### **Montréal**

L'Atelier Appliance Studio  
61 Rue Peel  
Montreal, QC H3C 0W3  
+1-514-353-3232  
mtl-latelier@bshg.com

### **Toronto**

Luxe Appliance Studio  
334 King Street East  
Toronto, ON M5A 1K8  
+1-888-966-5893  
luxestudio@bshg.com

### **Vancouver**

Luxe Appliance Studio  
101-30 E 6th Avenue  
Vancouver, BC V5T 1J3  
+1-833-776-5893  
van-luxeappliancestudio@bshg.com

## **Bosch Home Appliances Ltd.**

[www.bosch-home.ca](http://www.bosch-home.ca)

Call Center Support: 1-800-944-2904

BSH reserves the absolute and unrestricted right to change product materials and specifications, at any time, without notice. Consult the product's installation instructions for final dimensional data and other details. Applicable product warranty can be found in accompanying product literature or you may contact your account manager for further details.

©2024 BSH Home Appliances Ltd.

All rights reserved. Bosch is a registered trademark of Robert Bosch GmbH.