

# 24" Recessed Handle Dishwasher



300 Series – Stainless Steel SHE43C75N

## Best Buy Exclusive



**SHE43C75N**  
Stainless Steel

The 3rd rack provides the perfect space for silverware and large utensils while its V shape leaves room below for taller items.

### Features & Benefits

48 dBA: dishwasher runs quietly so your kitchen conversations aren't interrupted.

With PrecisionWash®, intelligent sensors and precision spray arms target every item of every load, so dishes come out sparkling clean every time.

Enhance your cleaning experience with Wi-Fi enabled Home Connect®. Access additional wash cycles and options or choose the right one for your needs using Smart Cycle.

| General Properties              |                                   |
|---------------------------------|-----------------------------------|
| Number of wash cycles           | 5 + 3 additional in Home Connect® |
| Number of options               | 3 + 2 additional in Home Connect® |
| dBA                             | 48                                |
| Wash system                     | PrecisionWash®                    |
| Drying system                   | PureDry®                          |
| Third rack                      | Standard 3rd Rack                 |
| Rack adjustability              | Manual rack adjustability         |
| Tub material                    | Stainless Steel                   |
| Control type                    | Touch Controls                    |
| Concealed water heating element | Yes                               |
| Leak protection system          | 24/7 AquaStop®                    |
| Home Connect® (Wi-Fi enabled)   | Yes                               |
| NSF®-certified* sanitize option | Yes                               |
| Water softener                  | No                                |
| Five-level wash                 | Yes                               |
| Child Lock button suspension    | Yes                               |
| Anti-Fingerprint Finish         | No                                |
| Special features                | Extra Dry Option                  |
| Efficiency                      |                                   |
| Water usage per cycle           | 3.5 gal                           |
| ENERGY STAR® Certified          | No                                |
| Total annual energy consumption | 269 kWh                           |
| Capacity                        |                                   |
| Number of place settings        | 12                                |

Home Connect



| Technical Details  |                              |
|--|------------------------------|
| Watts  | 1440 W                       |
| Current  | 12 Amps                      |
| Volts  | 120 V                        |
| Frequency  | 60 Hz                        |
| Power cord full length   | 67"                          |
| Power cord install length from edge of unit when facing the door | Left – 45"<br>Right – 56"    |
| Minimum water pressure   | 14 lb/sin                    |
| Length outlet hose   | 78 3/4"                      |
| Dimensions & Weight  |                              |
| Overall appliance dimensions (HxWxD)                             | 33 7/8" x 23 9/16" x 23 3/4" |
| Required cutout size (HxWxD)                                     | 33 7/8" x 23 5/8" x 24"      |
| Adjustable feet  | Yes                          |
| Net weight   | 81                           |
| Accessories—Optional   |                              |
| Junction Box   | SMZPCJB1UC                   |
| Junction Box + Supply Hose Kit                                   | SMZ3IN1UC                    |
| Bosch Dishwasher Water Supply Hose                               | SMZSH1ABUC                   |
| Drain Hose Extension Kit   | SGZ1010UC                    |
| Flexible Silverware Basket                                       | SMZ4000UC                    |
| Dishwasher Accessory Kit   | SMZ5000                      |
| Anti-Tarnish Silverware Cassette                                 | SMZ5002UC                    |
| Edge Protector + Power Cord Clip Install Kit                     | SMZEPCC1UC                   |

\*Certification to NSF/ANSI Standard 184 for residential dishwashers

**Accessories:** To purchase Bosch accessories, cleaners & parts please visit [www.bosch-home.com/us/store](http://www.bosch-home.com/us/store) or call 1-800-944-2904 (Mon to Fri 5 am to 6 pm PST, Sat 6 am to 3 pm PST).

**Notes:** All height, width and depth dimensions are shown in inches. BSH reserves the absolute and unrestricted right to change product materials and specifications, at any time, without notice. Consult the product's installation instructions for final dimensional data and other details prior to making cutout.

**Warranties:** Please see Use & Care manual or Bosch website for statement of limited warranty.

**For more information on our entire line of products, go to [www.bosch-home.com/us](http://www.bosch-home.com/us) or call 1-800-944-2904**

© BSH Home Appliances Corporation. All rights reserved. Bosch is a registered trademark of Robert Bosch GmbH.

11/24-BBY

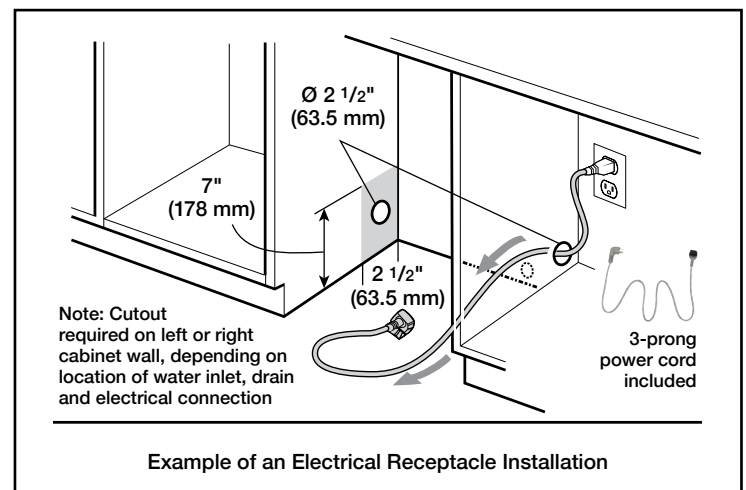
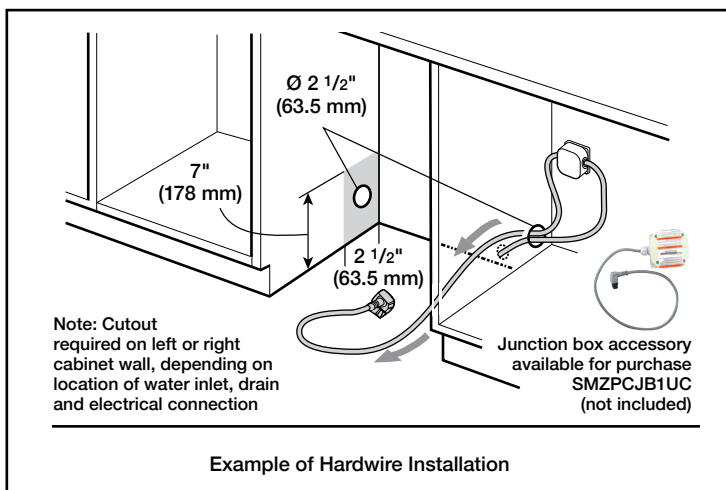
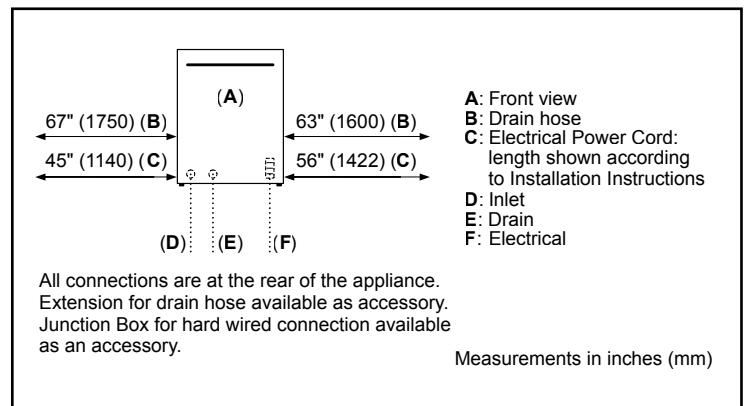
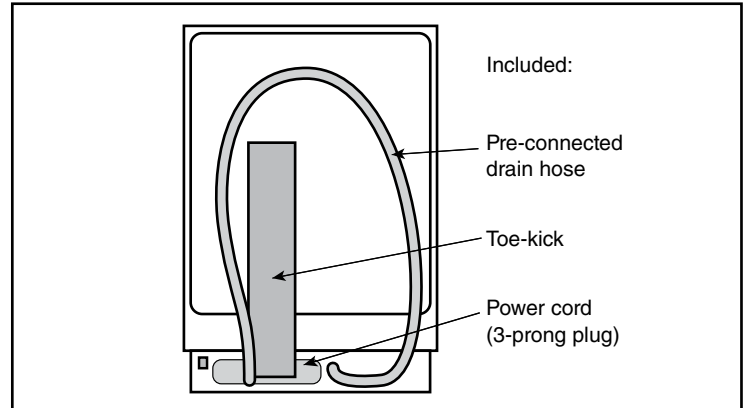
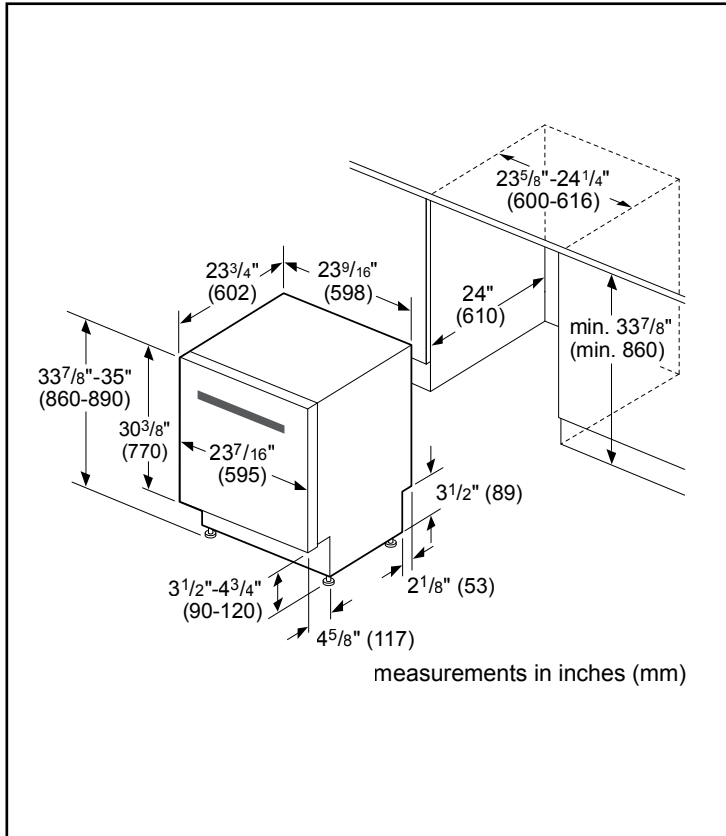
# 24" Recessed Handle Dishwasher



300 Series – Stainless Steel SHE43C75N

Best Buy Exclusive

## Installation Details



**Accessories:** To purchase Bosch accessories, cleaners & parts please visit [www.bosch-home.com/us/store](http://www.bosch-home.com/us/store) or call 1-800-944-2904 (Mon to Fri 5 am to 6 pm PST, Sat 6 am to 3 pm PST).

**Notes:** All height, width and depth dimensions are shown in inches. BSH reserves the absolute and unrestricted right to change product materials and specifications, at any time, without notice. Consult the product's installation instructions for final dimensional data and other details prior to making cutout.

**Warranties:** Please see Use & Care manual or Bosch website for statement of limited warranty.

**For more information on our entire line of products, go to [www.bosch-home.com/us](http://www.bosch-home.com/us) or call 1-800-944-2904**

© BSH Home Appliances Corporation. All rights reserved. Bosch is a registered trademark of Robert Bosch GmbH.

11/24-BBY

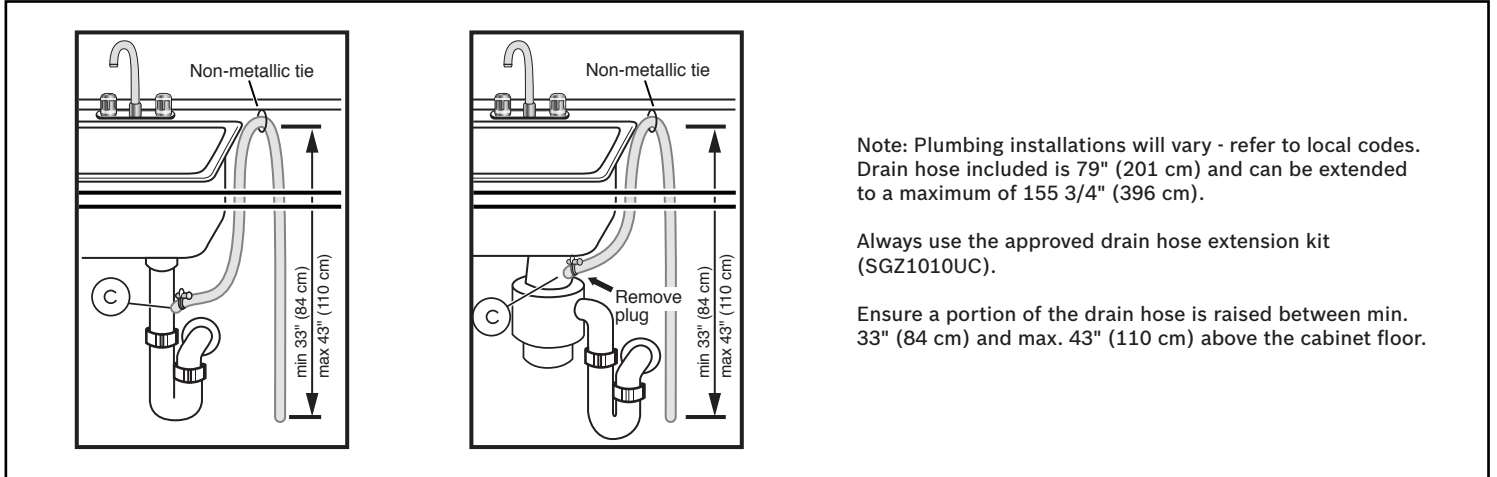
# 24" Recessed Handle Dishwasher



300 Series – Stainless Steel SHE43C75N

Best Buy Exclusive

## Installation Details



**Accessories:** To purchase Bosch accessories, cleaners & parts please visit [www.bosch-home.com/us/store](http://www.bosch-home.com/us/store) or call 1-800-944-2904 (Mon to Fri 5 am to 6 pm PST, Sat 6 am to 3 pm PST).

**Notes:** All height, width and depth dimensions are shown in inches. BSH reserves the absolute and unrestricted right to change product materials and specifications, at any time, without notice. Consult the product's installation instructions for final dimensional data and other details prior to making cutout.

**Warranties:** Please see Use & Care manual or Bosch website for statement of limited warranty.

**For more information on our entire line of products, go to [www.bosch-home.com/us](http://www.bosch-home.com/us) or call 1-800-944-2904**

© BSH Home Appliances Corporation. All rights reserved. Bosch is a registered trademark of Robert Bosch GmbH.

11/24-BBY