

Invented for life



BOSCH

Kitchen Experience and Design Guide





Table of Contents

| | |
|----------------------------------|-----|
| Bosch in Every Detail | 4 |
| Design Philosophy | 10 |
| Discover Bosch Benchmark™ Series | 12 |
| Black Stainless Steel Collection | 14 |
| Small Space Living | 16 |
| Home Connect® | 18 |
| Sustainability | 20 |
| Digital Tools | 22 |
| Cooktops & Rangetops | 24 |
| Built-in Wall Ovens | 62 |
| Microwaves & Warming Drawers | 102 |
| Built-in Coffee Machine | 122 |
| Ranges | 126 |
| Ventilation | 152 |
| Dishwashers | 194 |
| Refrigeration | 226 |
| Experience Bosch | 262 |
| Customer Service | 264 |
| Warranty | 266 |





The kitchen is more than a place to cook.

No place means home more than the kitchen. It's where we gather with family and friends, exhale after a long day, and savor so many of life's simple moments.

Through our products, we strive to enhance the daily quality of everyday lives. Believing that a cooktop should be a recipe for ease. That the joy of simplicity is anything but minimal. And that it's important to sometimes stop and smell the rosemary carrots. These are the true hallmarks of Bosch quality. These are the details to savor.





Quality that holds true.

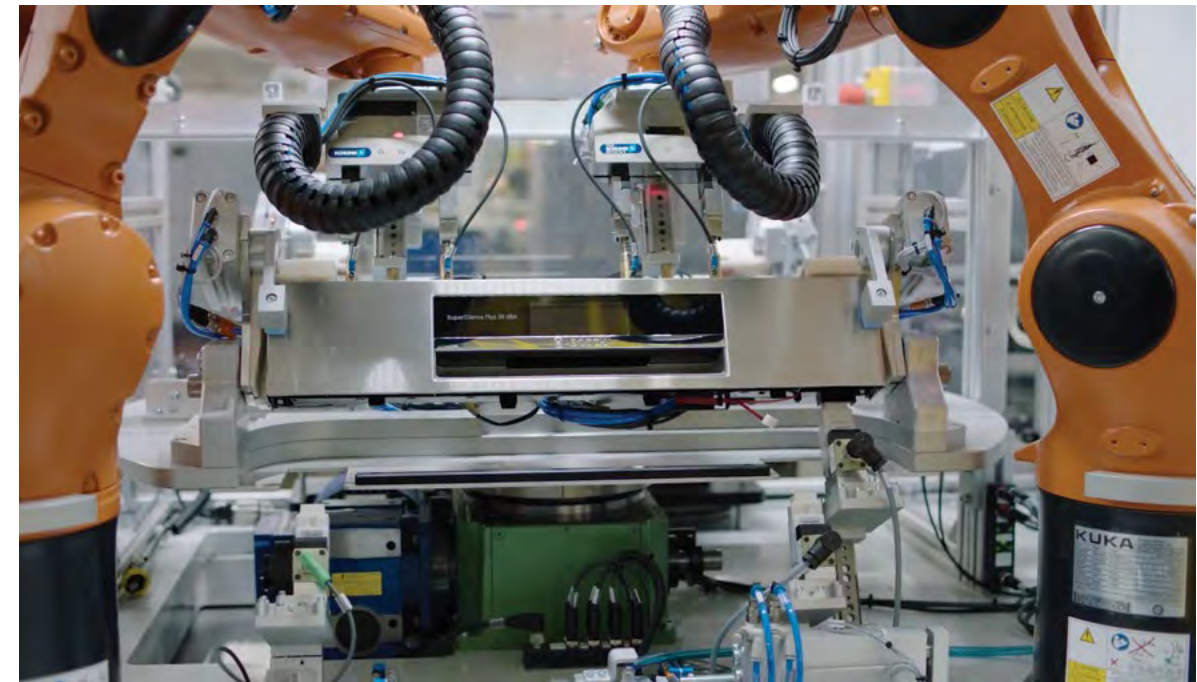
From the feel of an oven handle, to the quiet of a dishwasher, to the ease of a cooktop, we believe the products we use and interact with every day can enhance the daily quality of your life. It's these small details, obsessed upon by our engineers and repeatedly tested in our factory, that manifest as the tangible difference of Bosch quality.

America's Most Trusted® Kitchen Brand 2019–2024*

At Bosch, every detail of our products is designed for quality and with the consumer experience in mind.

We're honored to be trusted by you and promise to always deliver lasting products that bring effortless ease and timeless style to your kitchen.

*Bosch received the highest numerical score in the proprietary Lifestory Research 2019, 2020, 2021, 2022, 2023 and 2024 America's Most Trusted® Kitchen Brand study. Your experiences may vary. Visit lifestoryresearch.com



485 quality checks

Every dishwasher must pass 485 quality checks—including running every single one with water — before leaving the factory. So you can rest assured that your dishwasher is built to withstand whatever life throws your way.





Bosch design philosophy.

These are the principles that guide every Bosch product.

For over 100 years, Bosch appliances have embraced a tradition of timeless design that's both purposeful and beautiful. We see the beauty in simple, streamlined aesthetics that result from how our products are actually used.

1 Form + Function

Bosch design is equally purposeful and beautiful, creating a lasting and rewarding user experience.

2 Symmetry

Balanced, symmetrical lines offer a timeless look that's pleasing to the eye and offers a distinctive family appearance.

3 Proportions

The harmonious arrangement of varying elements results in a sophisticated, well-balanced design.

4 Materials

The use of premium materials makes our appliances visually arresting and offers a tactile sense of quality that you can feel.

5 Illumination

Subtle, purposeful illumination enhances usability while creating an emotional connection.



6 Color Palette

From classic black and white, to metallic tones and red/white accent lighting, our affinity for neutral colors helps seamlessly blend our appliances into a range of kitchens.

7 Alignment

Flush, well defined surface contours, unified design elements, and tight panel gaps indicate an elevated level of engineering precision.

8 Subtlety

Subtle, thoughtful details delight the user in unexpected ways and improve the overall experience of our appliances.

9 Integration

From kitchen designs ranging from modern to transitional, Bosch appliances naturally integrate with any style.

10 Longevity

With enduring, timeless design and lasting quality, every Bosch appliance beautifully withstands the test of time.



The pinnacle of Bosch design and performance.

The Bosch Benchmark™ Series.

Our Benchmark™ Series features signature products like built-in refrigeration, steam and SideOpening wall ovens, and FlexInduction™ cooktops. Designed as a suite or alone, our Benchmark™ Series is sure to beautifully complement any kitchen.

Steam Convection Oven

Enjoy the endless versatility of steam to cook meals that are both healthy and delicious.



Interior Dishwasher Light

A bright white interior light adds an aesthetic accent in the dishwasher and makes loading easier in dim lighting.



FlexInduction™ Cooktop

Provides more flexibility by combining two cooking zones into one larger zone.



Make a statement without leaving a mark.

Bosch Black Stainless Steel Collection

Behold a daring new way to design your kitchen. Built with the quality you expect from Bosch in a contemporary style, the collection is strong, sturdy, and sleek. Our black stainless steel appliances are made from a special material, not simply a black foil coating, to help guard against scratches and fingerprints and maintain their bold look.



Explore Small Space Appliances.

Small space living is no longer seen as a sacrifice or compromise. More and more, people are choosing smaller-scale living out of desire, rather than need. Designing for small spaces, especially kitchens, lends itself to embracing the beauty of simplicity and efficiency. Clean, uncluttered lines. Easy aesthetics. And smaller-scaled appliances designed in correct proportions, create balance and harmony within the surrounding space.

Bosch's suite of 18" and 24" appliances are specifically designed to fit downscaled living, without sacrificing upscale tastes. Premium in every way, Bosch small scale appliances feature the quality and performance you'd expect in full-size appliances.



24" Cooktops

Bosch 24" Cooktops are available in gas, electric or induction, and are ideal for any small space kitchen. The induction cooktop features a large, 11" cooking zone with 3700W of power for speed and precise results, and a sleek frameless design. The gas cooktop has four powerful high efficiency burners allowing you to cook multiple dishes with a full range of BTU performance.



24" Gas cooktop NGM5453UC



24" Induction cooktop NIT5460UC

24" Ventilation

Bosch 24" Ventilation is available in a Pull-Out Hood or Chimney Wall Hood. All Ventilation options use 300-400 CFM blowers. Chimney design option creates an inspiring focal point in the kitchen, or the sleek pull-out hood can be closed when not in use.



24" Chimney Hood HCP34E52UC



24" Wall oven HBE5453UC

24" Wall Oven, Speed Oven & Drawer Microwave

Offering Convection Multi-Rack for even baking, the Bosch 24" Wall Ovens feature multiple cooking modes for a variety of methods to get crispy results from frozen foods, or a perfectly browned fresh roast. The 24" Speed Oven pairs the cooking qualities of a conventional oven with the speed of a microwave, and SpeedChef® mode calculates the fastest cook time for best results. A 24" Drawer Microwave is designed to be installed flush with your cabinetry.



18" Dishwasher SPX68C75UC



24" Speed Oven HMC54151UC

18" Dishwashers

Bosch 18" Dishwashers feature thoughtful innovations such as a third rack, a RackMatic® height adjustment system, AquaStop® Plus Leak Protection, and CrystalDry™ on select models. The 18" Dishwashers are ADA compliant and are available in a variety of handle options such as bar, recessed and custom panel ready.

24" Refrigerators

Bosch 24" refrigerators offer industry leading efficiency and fit small spaces with a sleek sophistication, featuring hidden hinges and reversible doors, allowing for next to wall placement and flush installation. These true counter-depth refrigerators are available in a variety of styles and finishes—including stainless steel, luxurious black or white glass and custom panel. Foods stay fresher with adjustable humidity in the VitaFresh drawer, creating the optimal environment for your fruits and vegetables.



24" Refrigerator B24CB80ESS



24" Refrigerator B24CB80ESB



Master your day, in your own way, with Home Connect®.

Bosch is satisfying the ever-growing desire for a smart, connected home with a collection of connected appliances that bring the design, innovation, and efficiency you'd expect from Bosch. Home Connect® is the intelligent platform that allows a variety of Bosch home appliances to be remotely monitored and controlled through the mobile app, voice control or smartwatch, for a new level of ease and convenience.

From remotely starting the dishwasher at work, to keeping an eye on dinner in the oven, to brewing a frothy latte from bed, Home Connect® allows effortless control. With a variety of partner applications, such as Amazon Alexa and Google Assistant, simplify your tasks and take the worry out of everyday life.

Home Connect® works with:



Healthy home. Healthy planet.

ENERGY STAR® 2024 Partner of the Year

Bosch ENERGY STAR® certified appliances are designed with real life in mind. That's why we strive to deliver the latest energy and money-saving features that help families and protect the environment. These efforts are essential to maintaining the health of the planet, as well as the health of your home. When you choose the quality of Bosch, you also choose sustainably-minded appliances that are designed to last for years to come.



We've innovated groundbreaking, eco-friendly features for each appliance to create industry leading products that are more efficient than the federal minimum energy efficiency standard*.

*Source: U.S. EPA Consumer Messaging Guide for ENERGY STAR® Certified Appliances, December 2019.

Refrigerators

We've engineered high-efficiency compressors, Eco Mode, LED lighting, and Vacation Mode for improved energy consumption. ENERGY STAR® certified refrigerators are about 9% more energy efficient than models that meet the federal minimum energy efficiency standard.*

*Source: U.S. EPA Consumer Messaging Guide for ENERGY STAR® Certified Appliances, December 2019.



Dishwashers

Select Bosch dishwashers are ENERGY STAR® Certified, so you can have peace of mind your Bosch dishwasher is helping to save water and energy.*

We're proud to offer features like Eco Cycle mode, Half Load, Home Connect® with My Schedule, and PureDry®, so you have the tools for eco-friendly savings that fit your lifestyle needs.

*Excludes ADA-compliant and German-made models.



Digital Tools

Kitchen Package Design Tool



Design your dream kitchen with the Bosch Kitchen Package Design Tool.

Pick your Bosch appliances and customize your kitchen layout and finish, then save your design with a simple click.

Product Finder & Buying Guides



Our product finder tool walks you through a simple series of questions to match you with the perfect appliance. Or, read our buying guides for tips and advice on what to consider before buying a new appliance.





Cooktops & Rangetops

Bosch cooktops deliver perfect results with minimal effort. Whether you choose induction, gas, or electric, every Bosch cooktop combines simplicity with intuitive usability. Recipes are followed more efficiently, meals are made quickly, and cleanup happens easily.

FlameSelect® gas cooktops offer a revolutionary new level of precision. With nine pre-defined power levels, you can get perfect, repeatable results without needing to check the height of the flame. Because at the end of a long day, Bosch believes cooking should bring joy, not frustration.

Our industrial-style rangetops are designed to perform with a commercial-inspired design, high-powered burners and Bosch quality.



Benchmark™ Series Cooktops

include these features:



FlameSelect®

We've re-engineered the flame. FlameSelect® on Bosch cooktops let you easily adjust flame levels with 9 preset power levels for more precise, controlled heating. Whether you're rapidly bringing water to an intense boil or delicately melting chocolate, the numbered flame levels deliver the exact temperature every time.



Dual-Flame Power Burner

Our Benchmark™ Series stainless steel gas cooktops feature a powerful 18,050 BTU center, dual-ring burner that delivers faster boiling and low simmering for greater cooking flexibility.



FlexInduction™

FlexInduction® allows you to combine two cooking zones into one to accommodate large pans or griddles perfectly. Or, use the cooking zones individually. Either way, enjoy even cooking—no matter the size of your pan.



Flexibility When Cooking

With five burners, including an 11" 3,080-watt triple-ring heating element, our 36" Benchmark™ Series electric cooktop provides the ultimate flexibility when cooking.



AutoChef®

The AutoChef® sensor regulates the temperature during frying and automatically adjusts it for you so the perfect amount of heat is applied. So every pancake comes out golden brown and every steak is seared to perfection.



Home Connect®

Induction cooktops with Home Connect® let you remotely check if your cooktop is still on. Also, discover recipes and send the appropriate settings straight to your cooktop.



Benchmark™ Series 30" Induction Cooktops



30" Benchmark™ Series
NITP060UC (Frameless)
NITP060SUC (Framed)



- FlexInduction® Element
- 11" Cooking Zone
- + PowerMove®
- Home Connect®
- SpeedBoost®

+ Indicates a step-up feature

30" Benchmark™ Series

Black – NITP060UC
 Black with Stainless Steel Frame – NITP060SUC

General Properties

| | |
|-------------------------------|----------------------|
| Home Connect® (Wi-Fi Enabled) | Yes |
| Controls | PreciseSelect® Touch |

Element Performance

| | |
|--|-------------------|
| Power of full zone left & right heating element (in boost) | – |
| Power of full zone left heating element (in boost) | 3,300 W (3,600 W) |
| Power of front left heating element (in boost) | 2,200 W (3,600 W) |
| Power of back left heating element (in boost) | 2,200 W (3,600 W) |
| Power of center heating element (in boost) | – |
| Power of back right heating element (in boost) | 2,600 W (3,600 W) |
| Power of front right heating element (in boost) | 1,400 W (2,200 W) |
| Burners with booster | All* |

Element Size

| | |
|--|---------|
| Dimension of front left heating element | 8" x 9" |
| Dimension of back left heating element | 8" x 9" |
| Dimension of center heating element | – |
| Dimension of back right heating element | 11" |
| Dimension of front right heating element | 6" |

Technical Details

| | |
|-------------------|-------------|
| Watts | 7,200 W |
| Circuit breaker | 30 A |
| Volts | 208 – 240 V |
| Frequency | 60 Hz |
| Plug type | No plug |
| Power cord length | 37" |
| Energy source | Electric |

Dimensions & Weight

| | |
|--------------------------------------|------------------------|
| Overall appliance dimensions (HxWxD) | 4 1/8" x 31" x 21 1/4" |
| Required cutout size (HxWxD) | 4 1/8" x 28 7/8" x 20" |
| Minimum distance from counter front | 2 1/4" |
| Minimum distance from rear wall | 2" |
| Net weight | 43 lbs |

*For 30" model Boost function may be used simultaneously in 2 zones only. See User Manual.
 **For 36" model Boost function may be used simultaneously in 3 zones only. See User Manual.

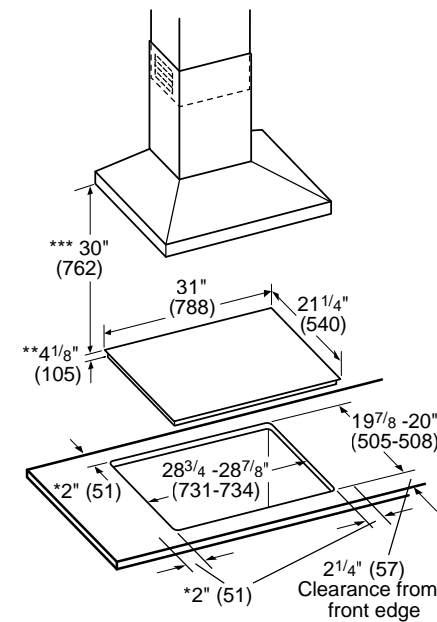
Optional Accessories



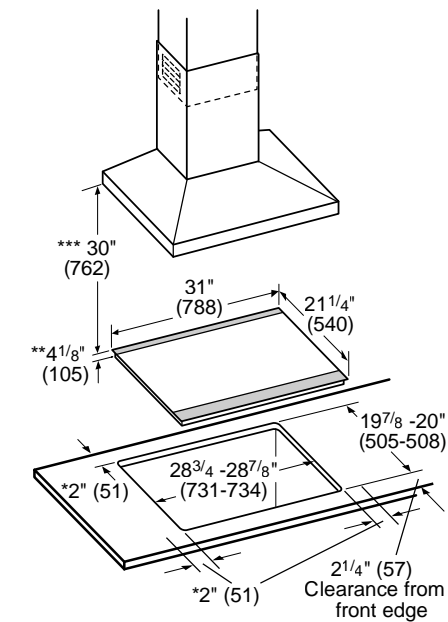
*For use with 36" models

Benchmark™ Series 30" Induction Cooktops

30" Cooktop and Cutout Dimensions (Frameless)



30" Cooktop and Cutout Dimensions (Framed)



NOTE: Bosch induction cooktops can be installed in combination with other Bosch cooking products. See pages 98–99 for details.

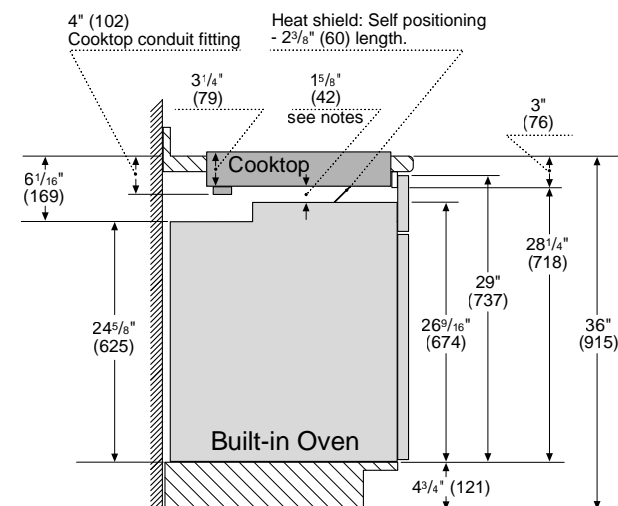
- * Minimum clearance from the cooktop cutout to the wall
- ** Installed depth includes a gap of 1" (26 mm) for ventilation
- *** Minimum clearance between the cooktop surface and lower edge of the hood

- * Minimum clearance from the cooktop cutout to the wall
- ** Installed depth includes a gap of 1" (26 mm) for ventilation
- *** Minimum clearance between the cooktop surface and lower edge of the hood

measurements in inches (mm)

measurements in inches (mm)

Cooktop Installation Above Wall Oven



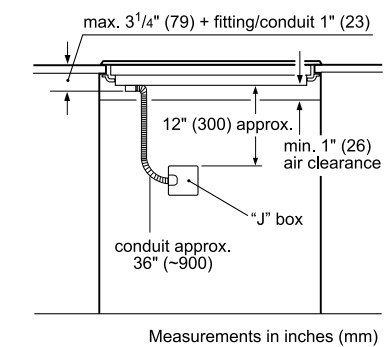
Notes:

Dimensions based on standard countertop height (36" with 4 3/4" toe kick including base plate).

The built-in oven can be installed below the induction cooktop as long as there is a minimum 1" (26) clearance between the bottom of the cooktop and the top of the oven.

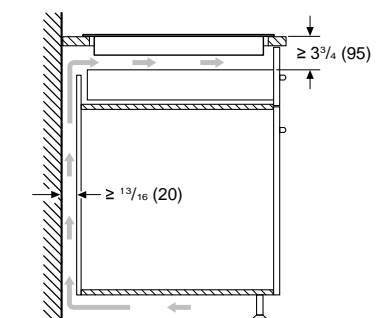
measurements in inches (mm)

Electrical Location



Measurements in inches (mm)

Ventilation Clearances



Measurements in inches (mm)



Benchmark™ Series 36" Induction Cooktops



36" Benchmark™ Series
NITP660UC (Frameless)
NITP660SUC (Framed)



- FlexInduction® Element
- + 12" Dual-Ring Center Cooking Zone
- + PowerMove®
- Home Connect®
- SpeedBoost®

+ Indicates a step-up feature

36" Benchmark™ Series

Black – NITP660UC
 Black with Stainless Steel Frame – NITP660SUC

General Properties

| | |
|-------------------------------|----------------------|
| Home Connect® (Wi-Fi Enabled) | Yes |
| Controls | PreciseSelect® Touch |

Element Performance

| | |
|--|-----------------------------------|
| Power of full zone left & right heating element (in boost) | 3,300 W (3,600 W) |
| Power of full zone left heating element (in boost) | - |
| Power of front left heating element (in boost) | 2,200 W (3,600 W) |
| Power of back left heating element (in boost) | 2,200 W (3,600 W) |
| Power of center heating element (in boost) | 3,300 / 2,200 W (3,600 / 3,400 W) |
| Power of back right heating element (in boost) | 2,200 W (3,600 W) |
| Power of front right heating element (in boost) | 2,200 W (3,600 W) |
| Burners with booster | All** |

Element Size

| | |
|--|---------|
| Dimension of front left heating element | 7" x 8" |
| Dimension of back left heating element | 7" x 8" |
| Dimension of center heating element | 12", 9" |
| Dimension of back right heating element | 7" x 8" |
| Dimension of front right heating element | 7" x 8" |

Technical Details

| | |
|-------------------|-------------|
| Watts | 12,000 W |
| Circuit breaker | 50 A |
| Volts | 208 – 240 V |
| Frequency | 60 Hz |
| Plug type | No plug |
| Power cord length | 37" |
| Energy source | Electric |

Dimensions & Weight

| | |
|--------------------------------------|---|
| Overall appliance dimensions (HxWxD) | 4 1/8" x 37" x 21 1/4" |
| Required cutout size (HxWxD) | 4 1/8" x 34 7/8" x 20" |
| Minimum distance from counter front | 2 1/4" |
| Minimum distance from rear wall | 2" |
| Net weight | 56 lbs (NITP660UC), 53 lbs (NITP660SUC) |

*For 30" model Boost function may be used simultaneously in 2 zones only. See User Manual.
 **For 36" model Boost function may be used simultaneously in 3 zones only. See User Manual.

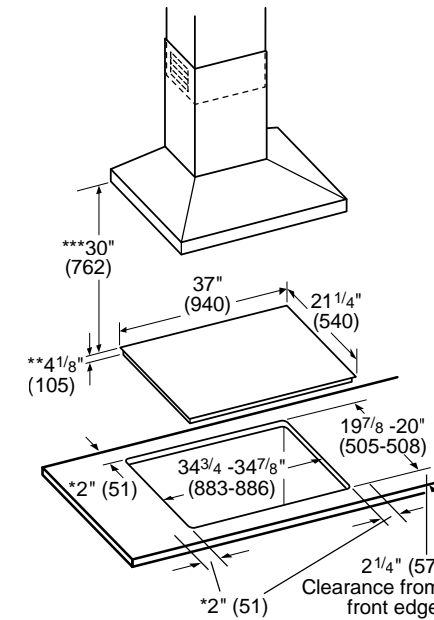
Optional Accessories



*For use with 36" models

Benchmark™ Series 36" Induction Cooktops

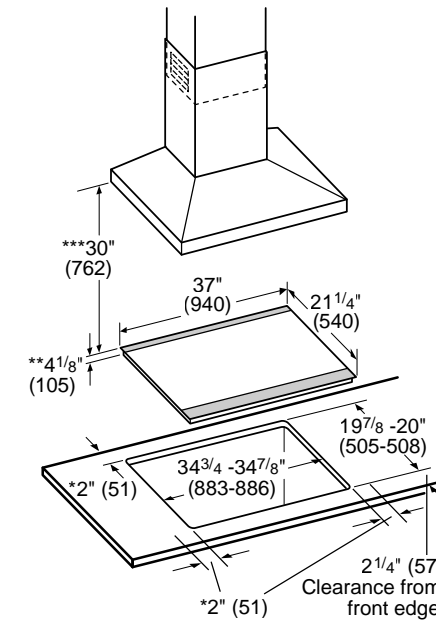
36" Frameless Cooktop and Cutout Dimensions



- * Minimum clearance from the cooktop cutout to the wall
- ** Installed depth includes a gap of 1" (26 mm) for ventilation
- *** Minimum clearance between the cooktop surface and lower edge of the hood

measurements in inches (mm)

36" Framed Cooktop and Cutout Dimensions

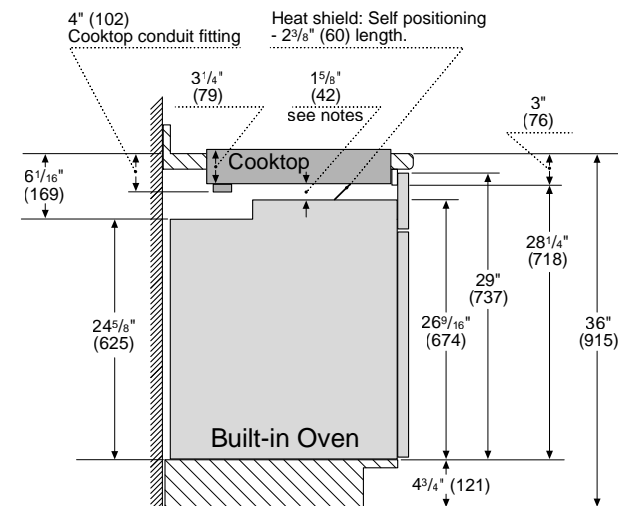


- * Minimum clearance from the cooktop cutout to the wall
- ** Installed depth includes a gap of 1" (26 mm) for ventilation
- *** Minimum clearance between the cooktop surface and lower edge of the hood

measurements in inches (mm)

NOTE: Bosch induction cooktops can be installed in combination with other Bosch cooking products. See pages 98–99 for details.

Cooktop Installation Above Wall Oven

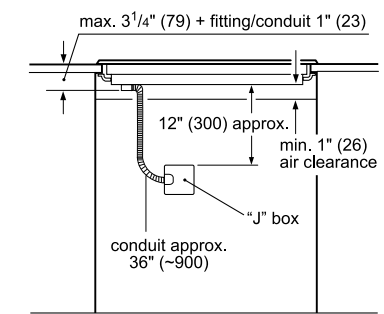


Notes:
 Dimensions based on standard countertop height (36" with 4 3/4" toe kick including base plate).

The built-in oven can be installed below the induction cooktop as long as there is a minimum 1" (26) clearance between the bottom of the cooktop and the top of the oven.

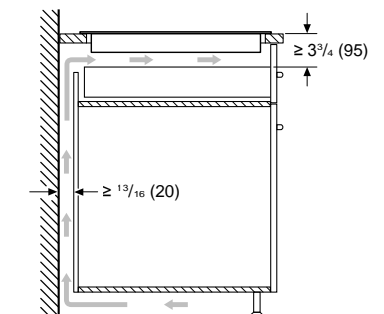
measurements in inches (mm)

Electrical Location



Measurements in inches (mm)

Ventilation Clearances



Measurements in inches (mm)



800 / 500 Series 30" Induction Cooktops



30" 800 Series
NIT8060UC (Frameless)
NIT8060SUC (Framed)

- +AutoChef®
- +Home Connect®
- +Hood Control
- +PreciseSelect® Touch Controls

Home Connect



30" 500 Series
NIT5060UC (Frameless)

- 11" Cooking Zone
- 17 Power Levels
- SpeedBoost®

+ Indicates a step-up feature

| | 30" 800 Series | 30" 500 Series |
|---|--|------------------------|
| | Black – NIT8060UC Black with Stainless Steel Frame – NIT8060SUC | Black – NIT5060UC |
| General Properties | | |
| Home Connect® (Wi-Fi Enabled) | Yes | No |
| Controls | PreciseSelect® Touch | Touch |
| Element Performance | | |
| Power of front left heating element (in boost) | 1,400 W (2,200 W) | 1,400 W (2,200 W) |
| Power of back left heating element (in boost) | 2,200 W (3,600 W) | 2,200 W (3,600 W) |
| Power of back right heating element (in boost) | 2,600 W (3,600 W) | 2,600 W (3,600 W) |
| Power of front right heating element (in boost) | 1,400 W (2,200 W) | 1,400 W (2,200 W) |
| Burners with booster | All | All |
| Element Size | | |
| Dimension of front left heating element | 6" | 6" |
| Dimension of back left heating element | 9" | 9" |
| Dimension of back right heating element | 11" | 11" |
| Dimension of front right heating element | 6" | 6" |
| Technical Details | | |
| Watts | 7,200 W | 7,200 W |
| Circuit breaker | 30 A | 30 A |
| Volts | 208 – 240 V | 208 – 240 V |
| Frequency | 60 Hz | 60 Hz |
| Plug type | No plug | No plug |
| Power cord length | 37" | 37" |
| Energy source | Electric | Electric |
| Dimensions & Weight | | |
| Overall appliance dimensions (HxWxD) | 4 1/8" x 31" x 21 1/4" | 4 1/8" x 31" x 21 1/4" |
| Required cutout size (HxWxD) | 4 1/8" x 28 7/8" x 20" | 4 1/8" x 28 7/8" x 20" |
| Minimum distance from counter front | 2 1/4" | 2 1/4" |
| Minimum distance from rear wall | 2" | 2" |
| Net weight | 41 lbs | 41 lbs |

Optional Accessories



HEZ390210
8" AutoChef® Pan for 6" Element



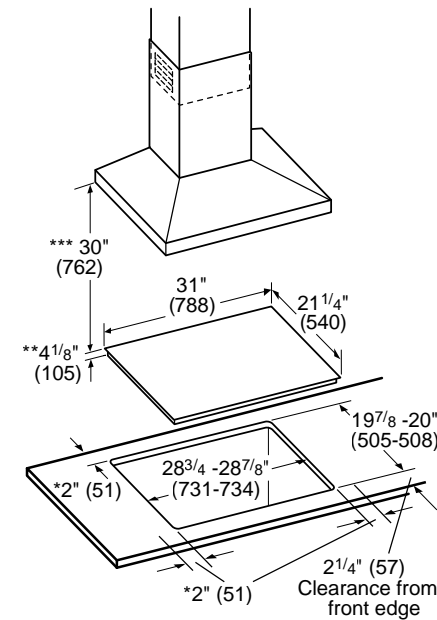
HEZ390220
9" AutoChef® Pan for 7" Element



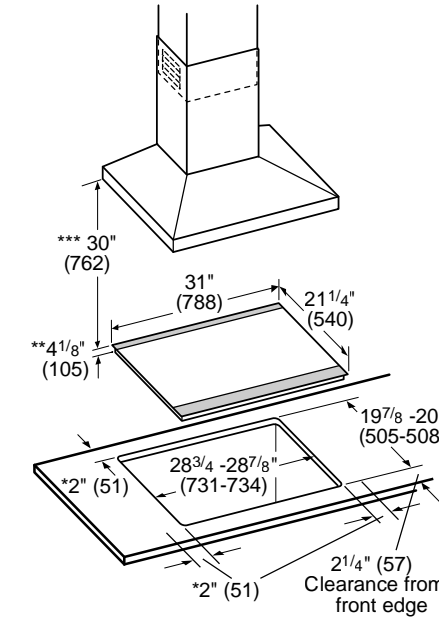
HEZ390230
10" AutoChef® Pan for 8" and 9" Elements

800 / 500 Series 30" Induction Cooktops

30" Frameless Cooktop and Cutout Dimensions



30" Framed Cooktop and Cutout Dimensions



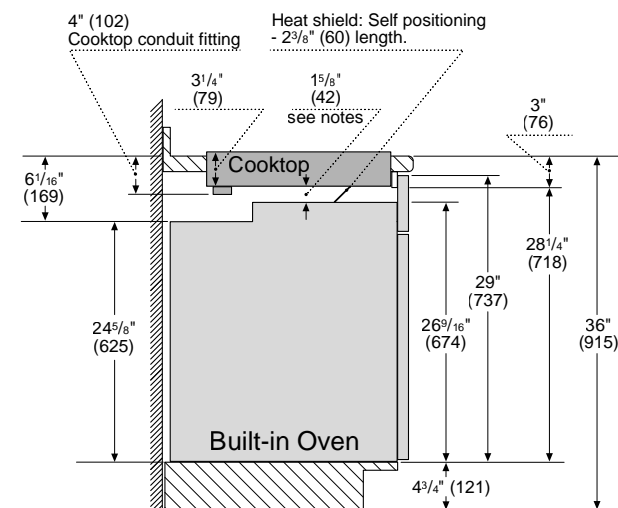
NOTE: Bosch induction cooktops can be installed in combination with other Bosch cooking products. See pages 98–99 for details.

- * Minimum clearance from the cooktop cutout to the wall
- ** Installed depth includes a gap of 1" (26 mm) for ventilation
- *** Minimum clearance between the cooktop surface and lower edge of the hood

- * Minimum clearance from the cooktop cutout to the wall
- ** Installed depth includes a gap of 1" (26 mm) for ventilation
- *** Minimum clearance between the cooktop surface and lower edge of the hood

measurements in inches (mm)

Cooktop Installation Above Wall Oven



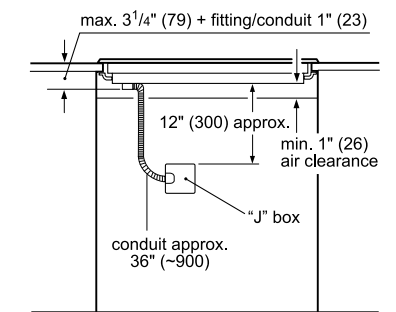
Notes:

Dimensions based on standard countertop height (36" with 4 3/4" toe kick including base plate).

The built-in oven can be installed below the induction cooktop as long as there is a minimum 1" (26) clearance between the bottom of the cooktop and the top of the oven.

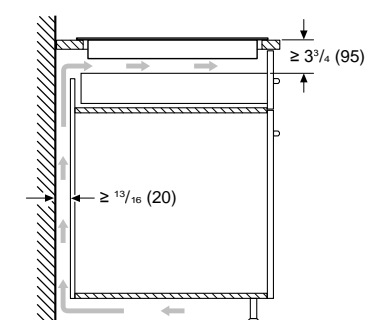
measurements in inches (mm)

Electrical Location



Measurements in inches (mm)

Ventilation Clearances



Measurements in inches (mm)



800 / 500 Series 36" Induction Cooktops



36" 800 Series
NIT8660UC (Frameless)
NIT8660SUC (Framed)

- +AutoChef®
- +Home Connect®
- +Hood Control
- +PreciseSelect® Touch Controls

Home Connect



36" 500 Series
NIT5660UC

- 17 Power Levels
- SpeedBoost®

+ Indicates a step-up feature

| | 36" 800 Series | 36" 500 Series |
|--|---|-------------------|
| | Black – NIT8660UC | Black – NIT5660UC |
| | Black with Stainless Steel Frame – NIT8660SUC | Black – NIT5660UC |

General Properties

| | | |
|-------------------------------|----------------------|-------|
| Home Connect® (Wi-Fi Enabled) | Yes | No |
| Controls | PreciseSelect® Touch | Touch |

Element Performance

| | | |
|---|-----------------------------------|-----------------------------------|
| Power of front left heating element (in boost) | 1,800 W (3,100 W) | 1,800 W (3,100 W) |
| Power of back left heating element (in boost) | 1,800 W (3,100 W) | 1,800 W (3,100 W) |
| Power of center heating element (in boost) | 3,300 / 2,200 W (5,400 / 3,600 W) | 3,300 / 2,200 W (5,400 / 3,600 W) |
| Power of back right heating element (in boost) | 1,400 W (2,200 W) | 1,400 W (2,200 W) |
| Power of front right heating element (in boost) | 2,200 W (3,600 W) | 2,200 W (3,600 W) |
| Burners with booster | All | All |

Element Size

| | | |
|--|---------|---------|
| Dimension of front left heating element | 7" | 7" |
| Dimension of back left heating element | 7" | 7" |
| Dimension of center heating element | 12", 9" | 12", 9" |
| Dimension of back right heating element | 6" | 6" |
| Dimension of front right heating element | 9" | 9" |

Technical Details

| | | |
|-------------------|-------------|-------------|
| Watts | 9,600 W | 9,600 W |
| Circuit breaker | 40 A | 40 A |
| Volts | 208 – 240 V | 208 – 240 V |
| Frequency | 60 Hz | 60 Hz |
| Plug type | No plug | No plug |
| Power cord length | 37" | 37" |
| Energy source | Electric | Electric |

Dimensions & Weight

| | | |
|--------------------------------------|------------------------|------------------------|
| Overall appliance dimensions (HxWxD) | 4 1/8" x 37" x 21 1/4" | 4 1/8" x 37" x 21 1/4" |
| Required cutout size (HxWxD) | 4 1/8" x 34 7/8" x 20" | 4 1/8" x 34 7/8" x 20" |
| Minimum distance from counter front | 2 1/4" | 2 1/4" |
| Minimum distance from rear wall | 2" | 2" |
| Net weight | 53 lbs | 53 lbs |

Optional Accessories



HEZ390210
 8" AutoChef® Pan
 for 6" Element



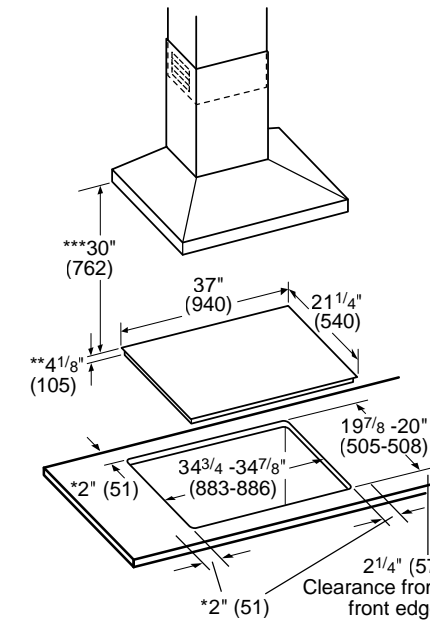
HEZ390220
 9" AutoChef® Pan
 for 7" Element



HEZ390230
 10" AutoChef® Pan
 for 8" and 9" Elements

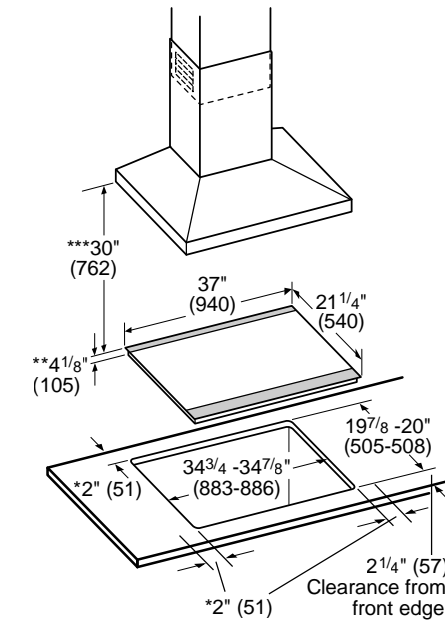
800 / 500 Series 36" Induction Cooktops

36" Frameless Cooktop and Cutout Dimensions



- * Minimum clearance from the cooktop cutout to the wall
- ** Installed depth includes a gap of 1" (26 mm) for ventilation
- *** Minimum clearance between the cooktop surface and lower edge of the hood

36" Framed Cooktop and Cutout Dimensions

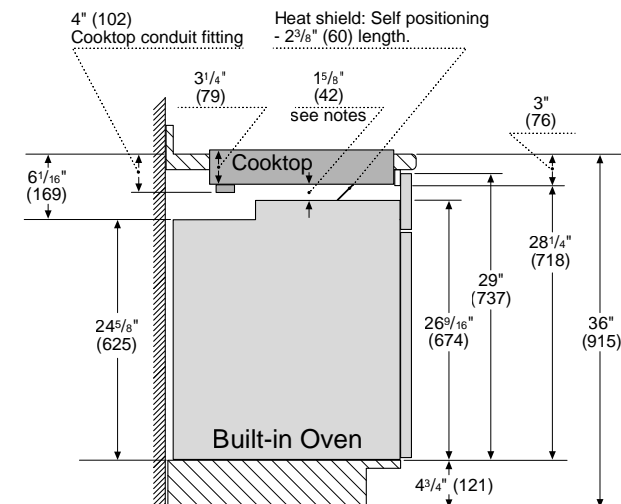


- * Minimum clearance from the cooktop cutout to the wall
- ** Installed depth includes a gap of 1" (26 mm) for ventilation
- *** Minimum clearance between the cooktop surface and lower edge of the hood

NOTE: Bosch induction cooktops can be installed in combination with other Bosch cooking products. See pages 98–99 for details.

measurements in inches (mm)

Cooktop Installation Above Wall Oven



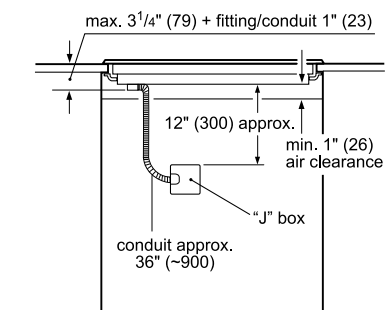
Notes:

Dimensions based on standard countertop height (36" with 4 3/4" toe kick including base plate).

The built-in oven can be installed below the induction cooktop as long as there is a minimum 1" (26) clearance between the bottom of the cooktop and the top of the oven.

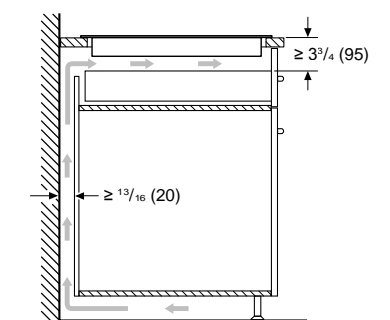
measurements in inches (mm)

Electrical Location



Measurements in inches (mm)

Ventilation Clearances



Measurements in inches (mm)



500 Series 24" Induction Cooktop



24" 500 Series NIT5460UC

- 11" Cooking Zone
- 17 Power Levels
- SpeedBoost®

24" 500 Series

Black – NIT5460UC

Element Performance

| | |
|---|-------------------|
| Power of back left heating element (in boost) | 2,600 W (3,600 W) |
| Power of back right heating element (in boost) | 1,800 W (3,100 W) |
| Power of front right heating element (in boost) | 1,400 W (2,200 W) |
| Burners with booster | All |

Element Size

| | |
|--|-----|
| Dimension of back left heating element | 11" |
| Dimension of back right heating element | 7" |
| Dimension of front right heating element | 6" |

Technical Details

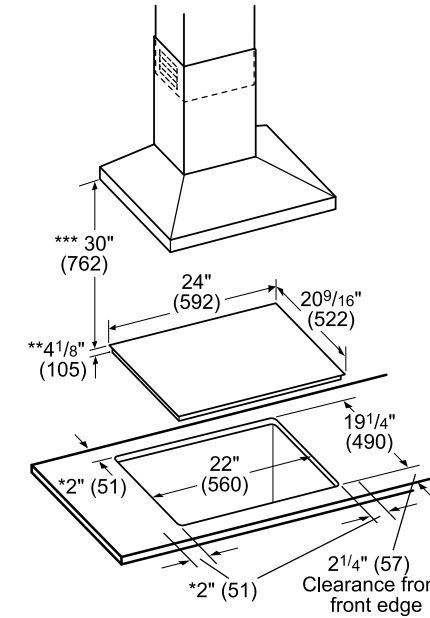
| | |
|-------------------|-------------|
| Watts | 7,200 W |
| Circuit breaker | 30 A |
| Volts | 208 – 240 V |
| Frequency | 60 Hz |
| Plug type | No plug |
| Power cord length | 37" |
| Energy source | Electric |

Dimensions & Weight

| | |
|--------------------------------------|-------------------------|
| Overall appliance dimensions (HxWxD) | 4 1/8" x 24" x 20 9/16" |
| Required cutout size (HxWxD) | 4 1/8" x 22" x 19 1/4" |
| Minimum distance from counter front | 2 1/4" |
| Minimum distance from rear wall | 2" |
| Net weight | 20 lbs |

500 Series 24" Induction Cooktop

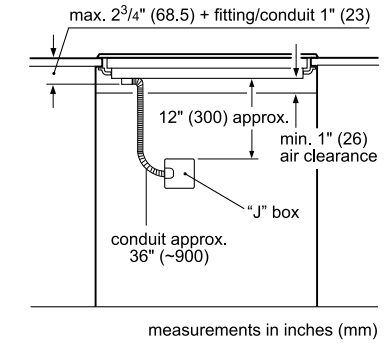
24" Cooktop and Cutout Dimensions



- * Minimum clearance from the cooktop cutout to the wall
- ** Installed depth includes a gap of 1" (26 mm) for ventilation
- *** Minimum clearance between the cooktop surface and lower edge of the exhaust hood.

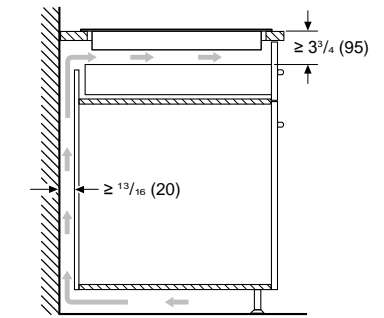
measurements in inches (mm)

Electrical Location



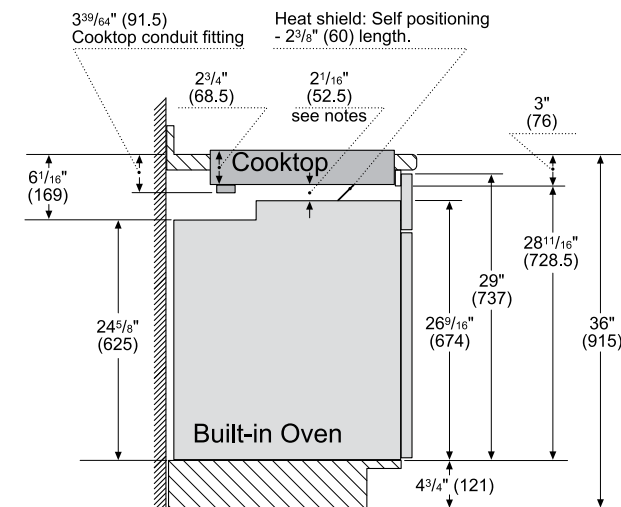
measurements in inches (mm)

Ventilation Clearances



Measurements in inches (mm)

24" Cooktop Installation Above Wall Oven



Notes:

Dimensions based on standard countertop height (36" with 4 3/4" toe kick including base plate).

The built-in oven can be installed below the induction cooktop as long as there is a minimum 1" (26) clearance between the bottom of the cooktop and the top of the oven.

measurements in inches (mm)

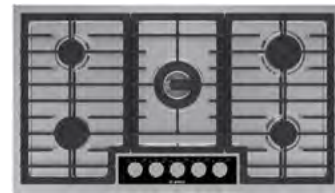


Benchmark™ Series 30" & 36" Gas Cooktops



**30" Benchmark™ Series
NGMP059UC**

- 18,050 Max. BTU
- OptiSim® Burner
- Dishwasher-safe Grates
- Dual-Ring Hi / Lo Burner
- Digital Power Level and Residual Heat Display



**36" Benchmark™ Series
NGMP659UC**

- 18,050 Max. BTU
- OptiSim® Burner
- Dishwasher-safe Grates
- Dual-Ring Hi / Lo Burner
- Digital Power Level and Residual Heat Display



| | 30" Benchmark™ Series | 36" Benchmark™ Series |
|---------------------------------------|--|--|
| | Stainless Steel – NGMP059UC | Stainless Steel – NGMP659UC |
| General Properties | | |
| No. of burners | 5 | 5 |
| Knob color | Stainless steel appearance | Stainless steel appearance |
| Control location | Front-center | Front-center |
| Sealed burners | Yes | Yes |
| Valves | Five 9-level gas step valves | Five 9-level gas step valves |
| Ignition system | Electronic; thermocouple flame monitor control | Electronic; thermocouple flame monitor control |
| Cooktop surface material | Stainless steel | Stainless steel |
| Grate material | Cast iron | Cast iron |
| Grate features | Continuous grates, dishwasher safe | Continuous grates, dishwasher safe |
| Element Performance | | |
| Total BTU load (NG / LP) | 43,750 / 36,800 BTU | 43,750 / 36,800 BTU |
| Power of front left burner (NG / LP) | 3,400 / 3,400 BTU | 3,400 / 3,400 BTU |
| Power of back left burner (NG / LP) | 6,000 / 6,000 BTU | 6,000 / 6,000 BTU |
| Power of center burner (NG / LP) | 18,050 / 11,100 BTU | 18,050 / 11,100 BTU |
| Power of back right burner (NG / LP) | 10,300 / 10,300 BTU | 10,300 / 10,300 BTU |
| Power of front right burner (NG / LP) | 6,000 / 6,000 BTU | 6,000 / 6,000 BTU |
| Technical Details | | |
| Circuit breaker | 15 A | 15 A |
| Volts | 120 V | 120 V |
| Frequency | 60 Hz | 60 Hz |
| Plug type | 3-prong | 3-prong |
| Power cord length | 40" | 40" |
| Energy source | Natural gas (factory set) | Natural gas (factory set) |
| Convertible to LP (kit required) | Yes | Yes |
| Dimensions & Weight | | |
| Overall appliance dimensions (HxWxD) | 4 1/2" x 31" x 21 1/4" | 4 1/2" x 37" x 21 1/4" |
| Required cutout size (HxWxD) | 2" x 28 15/16" x 19 1/8" | 2" x 34 15/16" x 19 1/8" |
| Minimum distance from counter front | 1 7/8" | 1 7/8" |
| Minimum distance from rear wall | 3" | 3" |
| Net weight | 51 lbs | 58 lbs |
| Accessories – Included | | |
| Included | LP conversion kit, OptiSim® cap | LP conversion kit, OptiSim® cap |

Optional Accessories



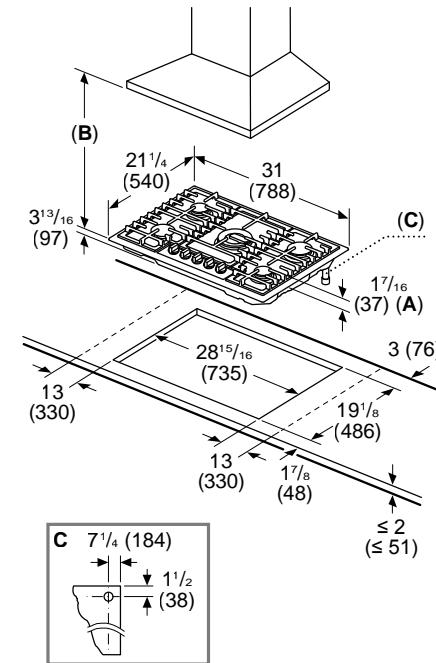
HEZ9GR58UC
Griddle



HEZ298102
Wok Ring

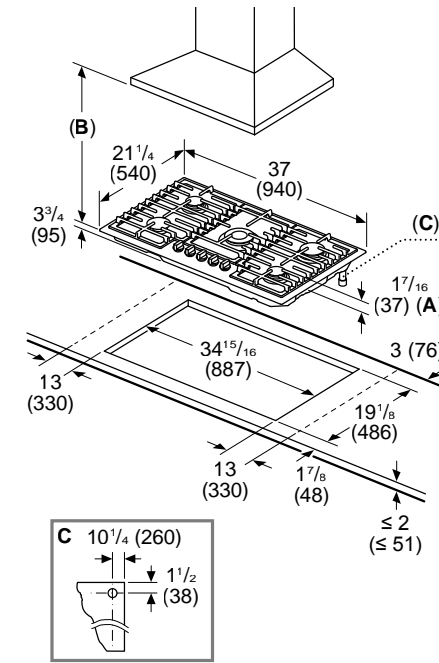
Benchmark™ Series 30" & 36" Gas Cooktops

30" Cooktop and Cutout Dimensions



- A:** Dimension from countertop to top of grates
- B:** When installed in combination with a hood, refer to hood manufacturer's requirements for installation
- C:** Gas connection

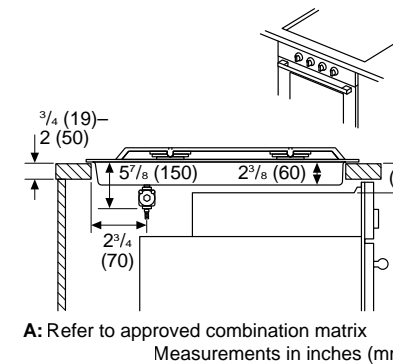
36" Cooktop and Cutout Dimensions



- A:** Dimension from countertop to top of grates
 - B:** When installed in combination with a hood, refer to hood manufacturer's requirements for installation
 - C:** Gas connection
- Measurements in inches (mm)

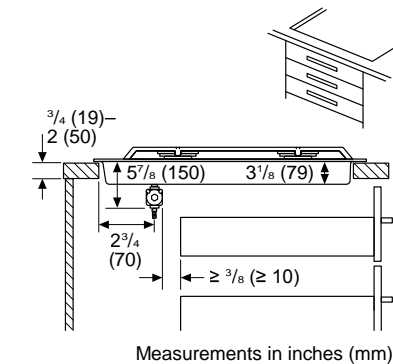
NOTE: Bosch gas cooktops can be installed in combination with other Bosch cooking products. See pages 98–99 for details.

Cooktop Installation Over Oven



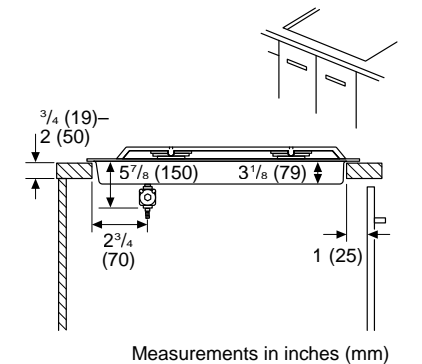
A: Refer to approved combination matrix
Measurements in inches (mm)

Cooktop Installation Over Drawer



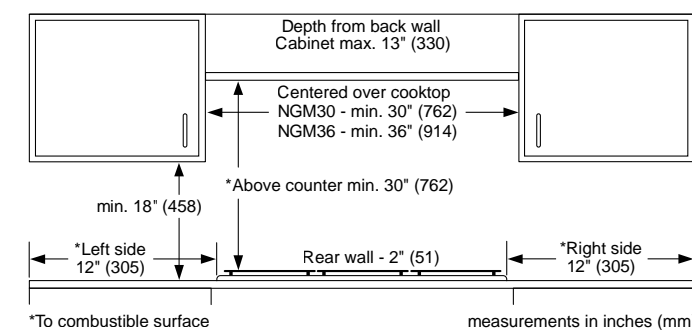
Measurements in inches (mm)

Cooktop Installation Over Door



Measurements in inches (mm)

Clearances



*To combustible surface
measurements in inches (mm)



Benchmark™ 30" Series Gas Cooktop



30" Benchmark™ Series NGMP077UC

- 14,300 Max. BTU
- OptiSim® Burner
- Dishwasher-safe Grates
- + Dual Flame Power Burner
- + Gray Tempered Glass Cooking Surface



+ Indicates a step-up feature

30" Benchmark™ Series

Gray Tempered Glass – NGMP077UC

General Properties

| | |
|--------------------------|--|
| No. of burners | 5 |
| Knob color | Stainless steel appearance |
| Control location | Front-center |
| Sealed burners | Yes |
| Valves | Five 9-level gas step valves |
| Ignition system | Electric; thermocouple flame safety control |
| Cooktop surface material | Tempered glass with porcelain steel heat shields |
| Grate material | Cast iron |
| Grate features | Continuous grates, dishwasher safe |

Element Performance

| | |
|---|---------------------|
| Total BTU load (NG / LP) | 40,000 / 40,000 BTU |
| Power of front left burner (NG / LP) OptiSim® | 3,400 / 3,400 BTU |
| Power of back left burner (NG / LP) | 6,000 / 6,000 BTU |
| Power of center burner (NG / LP) Dual-flame | 14,300 / 14,300 BTU |
| Power of back right burner (NG / LP) | 10,300 / 10,300 BTU |
| Power of front right burner (NG / LP) | 6,000 / 6,000 BTU |

Technical Details

| | |
|----------------------------------|---------------------------|
| Circuit breaker | 15 A |
| Volts | 120 V |
| Frequency | 60 Hz |
| Plug type | 3-prong |
| Power cord length | 40" |
| Energy source | Natural gas (factory set) |
| Convertible to LP (kit required) | Yes |

Dimensions & Weight

| | |
|--------------------------------------|------------------------------|
| Overall appliance dimensions (HxWxD) | 2 9/16" x 29 1/2" x 20 1/2" |
| Required cutout size (HxWxD) | 1 1/4" x 28 15/16" x 19 1/8" |
| Minimum distance from counter front | 1 7/8" |
| Minimum distance from rear wall | 3" |
| Net weight | 47 lbs |

Accessories - Included

| | |
|----------|---------------------------------|
| Included | LP conversion kit, OptiSim® cap |
|----------|---------------------------------|

Optional Accessories



HEZ298102
Wok Ring



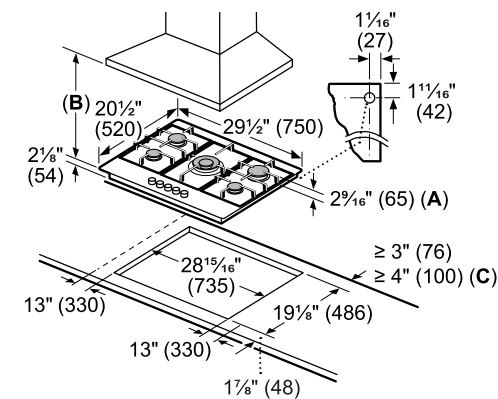
HEZ9GR58UC
Griddle



HEZ27755
FlameSelect® Benchmark™ Series
Metal Control Knob Kit, Stainless Steel

Benchmark™ Series 30" Gas Cooktop

30" Cooktop and Cutout Dimensions



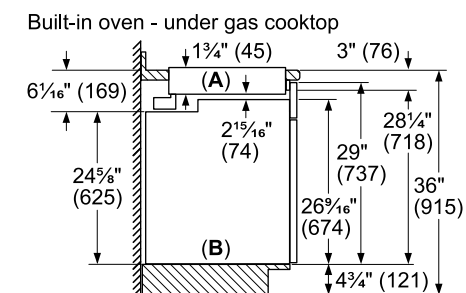
- A:** Dimension from countertop to top of grates in front of 2 7/8" (65)
 - B:** When installed in combination with a hood, refer to hood manufacturer's requirements for installation
 - C:** For installation in a kitchen island
- measurements in inches (mm)

Installation with horizontal panel:

If there is no oven beneath the cooktop, install a horizontal panel. To allow access to the power supply connection and regulator, maintain a minimum clearance of 3/8" (10 mm) from the edges of the panel.

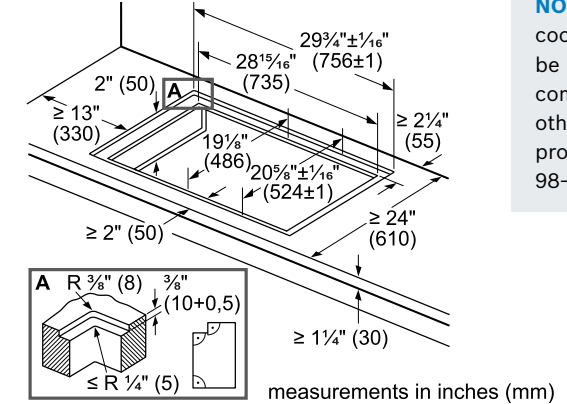
IMPORTANT: Complete the installation of the cooktop before installing the horizontal panel.

Cooktop Installation Above Wall Oven



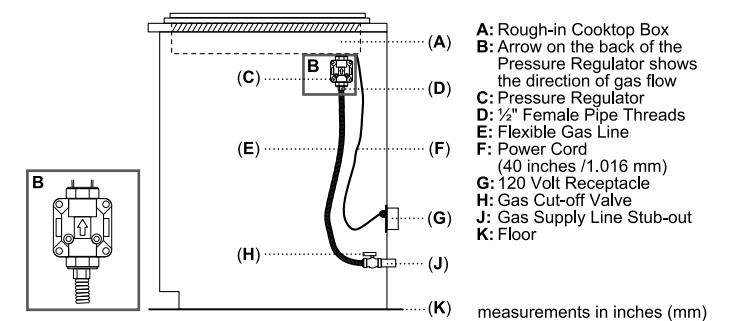
- Dimensions based on standard countertop height (36" with 4 3/4" toe kick including base plate).
- A:** Cooktop
 - B:** Built-in oven
- measurements in inches (mm)

30" Cooktop Flush Installation

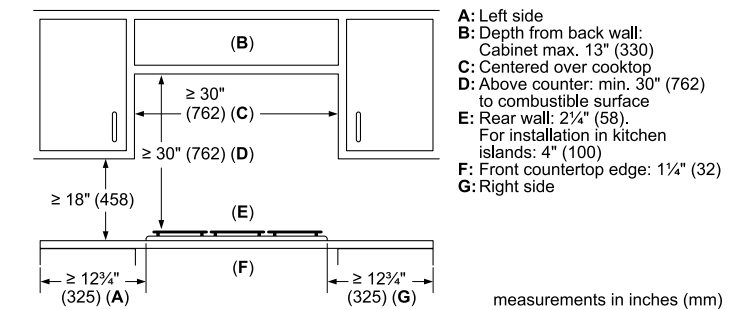


NOTE: Bosch gas cooktops can be installed in combination with other Bosch cooking products. See pages 98-99 for details.

Gas Location



Clearances



Benchmark™ 36" Series Gas Cooktop



36" Benchmark™ Series NGMP677UC

- 14,300 Max. BTU
- OptiSim® Burner
- Dishwasher-safe Grates
- + Dual Flame Power Burner
- + Gray Tempered Glass Cooking Surface



+ Indicates a step-up feature

36" Benchmark™ Series

Gray Tempered Glass – NGMP677UC

General Properties

| | |
|--------------------------|--|
| No. of burners | 5 |
| Knob color | Stainless steel appearance |
| Control location | Front-center |
| Sealed burners | Yes |
| Valves | Five 9-level gas step valves |
| Ignition system | Electric; thermocouple flame safety control |
| Cooktop surface material | Tempered glass with porcelain steel heat shields |
| Grate material | Cast iron |
| Grate features | Continuous grates, dishwasher safe |

Element Performance

| | |
|---|---------------------|
| Total BTU load (NG / LP) | 40,000 / 40,000 BTU |
| Power of front left burner (NG / LP) OptiSim® | 3,400 / 3,400 BTU |
| Power of back left burner (NG / LP) | 6,000 / 6,000 BTU |
| Power of center burner (NG / LP) Dual-flame | 14,300 / 14,300 BTU |
| Power of back right burner (NG / LP) | 10,300 / 10,300 BTU |
| Power of front right burner (NG / LP) | 6,000 / 6,000 BTU |

Technical Details

| | |
|----------------------------------|---------------------------|
| Circuit breaker | 15 A |
| Volts | 120 V |
| Frequency | 60 Hz |
| Plug type | 3-prong |
| Power cord length | 40" |
| Energy source | Natural gas (factory set) |
| Convertible to LP (kit required) | Yes |

Dimensions & Weight

| | |
|--------------------------------------|-----------------------------|
| Overall appliance dimensions (HxWxD) | 2 9/16" x 36" x 20 1/2" |
| Required cutout size (HxWxD) | 1 1/4" x 33 1/2" x 19 5/16" |
| Minimum distance from counter front | 1 7/8" |
| Minimum distance from rear wall | 3" |
| Net weight | 53 lbs |

Accessories – Included

| | |
|----------|---------------------------------|
| Included | LP conversion kit, OptiSim® cap |
|----------|---------------------------------|

Optional Accessories



HEZ298102
Wok Ring



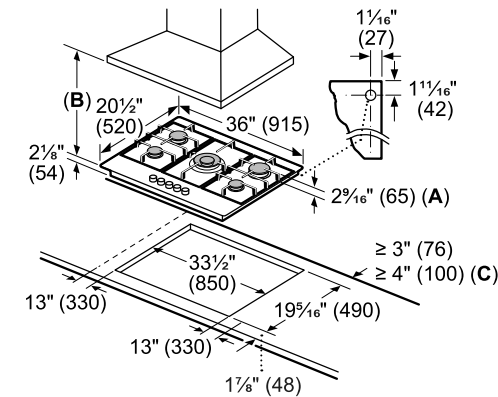
HEZ9GR58UC
Griddle



HEZ27755
FlameSelect® Benchmark™ Series
Metal Control Knob Kit, Stainless Steel

Benchmark™ Series 36" Gas Cooktop

36" Cooktop and Cutout Dimensions



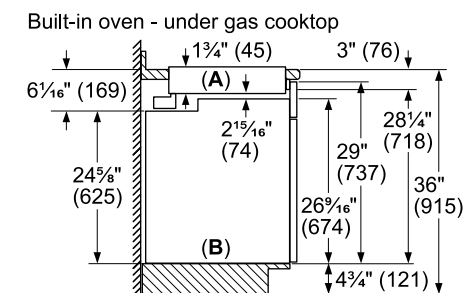
- A:** Dimension from countertop to top of grates in front of 2 7/16" (65)
 - B:** When installed in combination with a hood, refer to hood manufacturer's requirements for installation
 - C:** For installation in a kitchen island
- measurements in inches (mm)

Installation with horizontal panel:

If there is no oven beneath the cooktop, install a horizontal panel. To allow access to the power supply connection and regulator, maintain a minimum clearance of 3/8" (10 mm) from the edges of the panel.

IMPORTANT: Complete the installation of the cooktop before installing the horizontal panel.

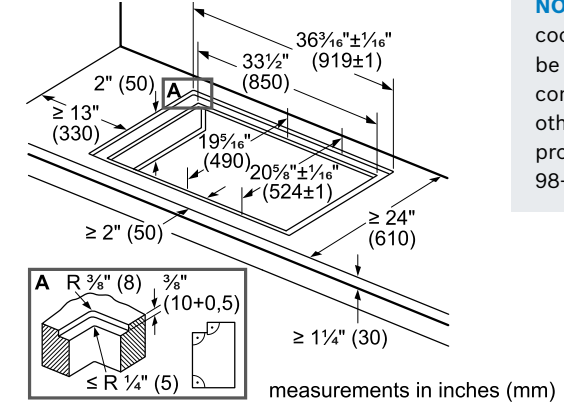
Cooktop Installation Above Wall Oven



Dimensions based on standard countertop height (36" with 4 3/4" toe kick including base plate).
A: Cooktop
B: Built-in oven

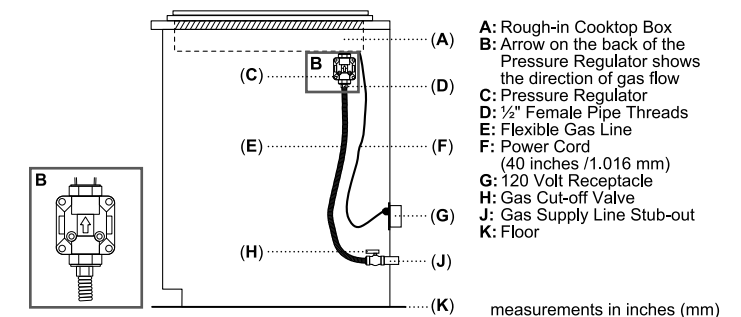
measurements in inches (mm)

36" Cooktop Flush Installation

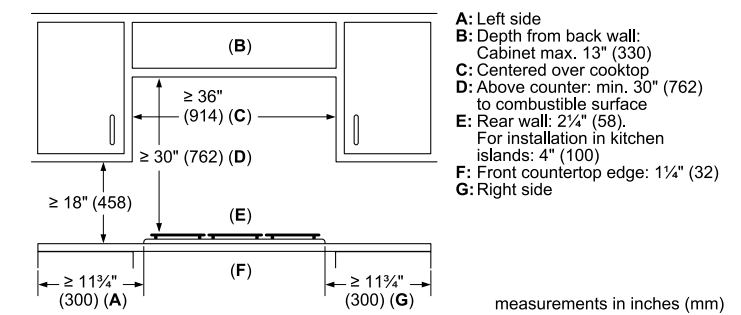


NOTE: Bosch gas cooktops can be installed in combination with other Bosch cooking products. See pages 98–99 for details.

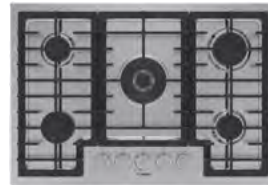
Gas Location



Clearances

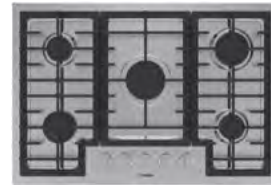


800 / 500 Series 30" Gas Cooktops



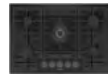
30" 800 Series
NGM8059UC (Stainless Steel)
NGM8049UC (Black w/ Black Stainless Knobs)

- +17,000 Max. BTU
- OptiSim® Burner
- +Dishwasher-safe Grates
- +Dual-Ring Hi / Lo Burner
- Red LED Light Burner Indicators



30" 500 Series
NGM5059UC

- 16,000 Max. BTU
- OptiSim® Burner
- Distinctive Red LED Light Burner Indicators



FlameSelect

+ Indicates a step-up feature

| | 30" 800 Series | 30" 500 Series |
|---------------------------------------|--|--|
| | Stainless Steel – NGM8059UC Black w/Black Stainless Knobs – NGM8049UC | Stainless Steel – NGM5059UC |
| General Properties | | |
| No. of burners | 5 | 5 |
| Knob color | NGM8059UC – Stainless steel appearance NGM8049UC – Black stainless appearance | Stainless steel appearance |
| Control location | Front-center | Front-center |
| Sealed burners | Yes | Yes |
| Valves | Five 9-level gas step valves | Gas |
| Ignition system | Electronic; thermocouple flame monitor control | Electric; thermocouple flame monitor control |
| Cooktop surface material | NGM8059UC – Stainless steel NGM8049UC – Black porcelain enamel | Stainless steel |
| Grate material | Cast iron | Cast iron |
| Grate features | Continuous grates, dishwasher safe | Continuous grates |
| Element Performance | | |
| Total BTU load (NG / LP) | NGM8059UC – 42,700 / 41,400 BTU NGM8049UC – 40,700 / 39,400 BTU | 41,700 / 41,700 BTU |
| Power of front left burner (NG / LP) | 3,400 / 3,400 BTU | 3,400 / 3,400 BTU |
| Power of back left burner (NG / LP) | NGM8059UC – 6,000 / 6,000 BTU NGM8049UC – 5,000 / 5,000 BTU | 6,000 / 6,000 BTU |
| Power of center burner (NG / LP) | 17,000 / 15,700 BTU | 16,000 / 16,000 BTU |
| Power of back right burner (NG / LP) | 10,300 / 10,300 BTU | 10,300 / 10,300 BTU |
| Power of front right burner (NG / LP) | NGM8059UC – 6,000 / 6,000 BTU NGM8049UC – 5,000 / 5,000 BTU | 6,000 / 6,000 BTU |

| Technical Details | | |
|----------------------------------|---------------------------|---------------------------|
| Circuit breaker | 15 A | 15 A |
| Volts | 120 V | 120 V |
| Frequency | 60 Hz | 60 Hz |
| Plug type, power cord length | 3-prong, 40" | 3-prong, 40" |
| Energy source | Natural gas (factory set) | Natural gas (factory set) |
| Convertible to LP (kit required) | Yes | Yes |

| Dimensions & Weight | | |
|--------------------------------------|--------------------------|--------------------------|
| Overall appliance dimensions (HxWxD) | 4 1/2" x 31" x 21 1/4" | 4 1/2" x 31" x 21 1/4" |
| Required cutout size (HxWxD) | 2" x 28 15/16" x 19 1/8" | 2" x 28 15/16" x 19 1/8" |
| Minimum distance from counter front | 1 7/8" | 1 7/8" |
| Minimum distance from rear wall | 3" | 3" |
| Net weight | 51 lbs | 50 lbs |

| Accessories – Included | | |
|-------------------------------|---------------------------------|---------------------------------|
| Included | LP conversion kit, OptiSim® cap | LP conversion kit, OptiSim® cap |

Optional Accessories



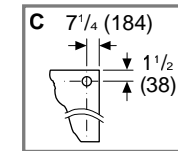
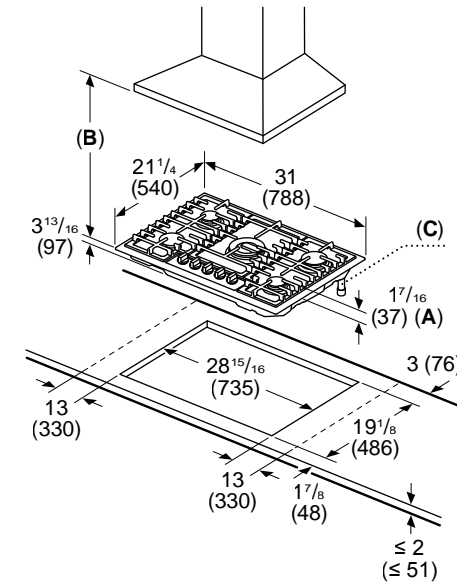
HEZ298102
Wok Ring



HEZ9GR58UC
Griddle

800 / 500 Series 30" Gas Cooktops

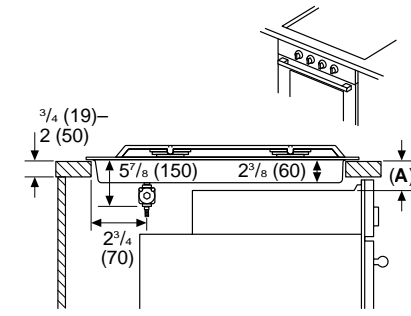
30" Cooktop and Cutout Dimensions



A: Dimension from countertop to top of grates
B: When installed in combination with a hood, refer to hood manufacturer's requirements for installation
C: Gas connection

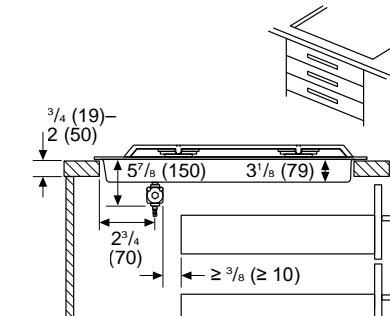
Measurements in inches (mm)

Cooktop Installation Over Oven



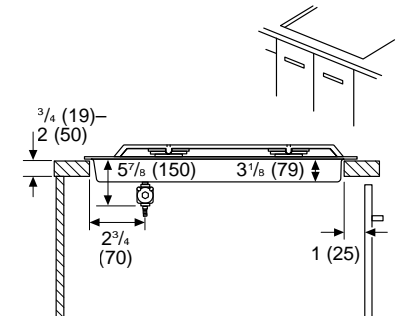
A: Refer to approved combination matrix
Measurements in inches (mm)

Cooktop Installation Over Drawer



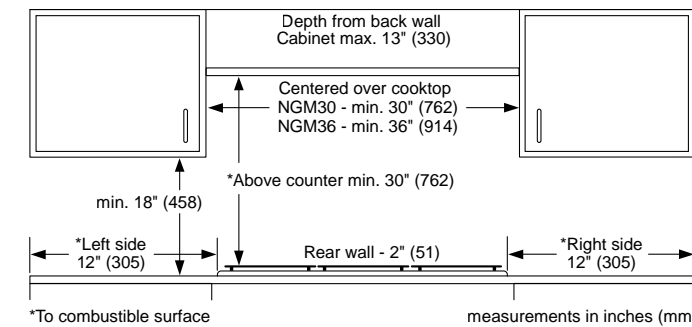
Measurements in inches (mm)

Cooktop Installation Over Door



Measurements in inches (mm)

Clearances



*To combustible surface measurements in inches (mm)

NOTE: Bosch gas cooktops can be installed in combination with other Bosch cooking products. See pages 98-99 for details.



800 Series 36" Gas Cooktop



36" 800 Series
NGM8646UC (Black Enamel with Black Stainless Knobs)

- + 17,000 Max. BTU
- OptiSim® Burner
- + Dishwasher-safe Grates
- + Dual-Ring Hi / Lo Burner

+ Indicates a step-up feature

36" 800 Series

Black w/Black Stainless Knobs – NGM8646UC

General Properties

| | |
|--------------------------|--|
| No. of burners | 5 |
| Knob color | Black stainless appearance |
| Control location | Front-center |
| Sealed burners | Yes |
| Valves | Five 9-level gas valves |
| Ignition system | Electronic; thermocouple flame monitor control |
| Cooktop surface material | Black porcelain enamel |
| Grate material | Cast iron |
| Grate features | Continuous grates, dishwasher safe |

Element Performance

| | |
|---------------------------------------|---------------------|
| Total BTU load (NG / LP) | 52,400 / 47,300 BTU |
| Power of front left burner (NG / LP) | 9,300 / 9,100 BTU |
| Power of back left burner (NG / LP) | 9,300 / 9,100 BTU |
| Power of center burner (NG / LP) | 19,000 / 15,000 BTU |
| Power of back right burner (NG / LP) | 5,500 / 5,000 BTU |
| Power of front right burner (NG / LP) | 9,300 / 9,100 BTU |

Technical Details

| | |
|----------------------------------|---------------------------|
| Circuit breaker | 15 A |
| Volts | 120 V |
| Frequency | 60 Hz |
| Plug type, power cord length | 3-prong, 40" |
| Energy source | Natural gas (factory set) |
| Convertible to LP (kit required) | Yes |

Dimensions & Weight

| | |
|--------------------------------------|--------------------------|
| Overall appliance dimensions (HxWxD) | 3 3/4" x 37" x 21 1/4" |
| Required cutout size (HxWxD) | 2" x 34 15/16" x 19 1/8" |
| Minimum distance from counter front | 1 7/8" |
| Minimum distance from rear wall | 3" |
| Net weight | 39 lbs |

Accessories - Included

| | |
|----------|---------------------------------|
| Included | LP conversion kit, OptiSim® cap |
|----------|---------------------------------|

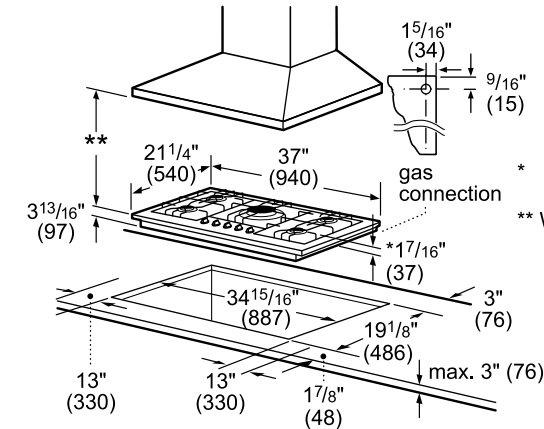
Optional Accessories



HEZ298102
 Wok Ring

800 Series 36" Gas Cooktop

36" Cooktop and Cutout Dimensions

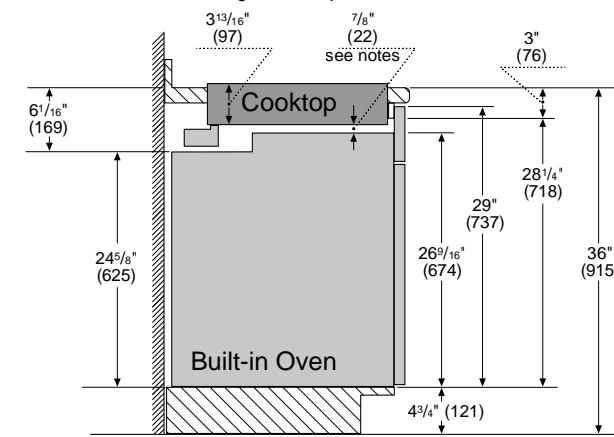


* Dimension from countertop to top of grates in front of 17/16" (37).
 ** When installed in combination with a hood, refer to hood manufacturers requirements for installation.

Measurement in inches (mm)

NOTE: Bosch gas cooktops can be installed in combination with other Bosch cooking products. See pages 98-99 for details.

Cooktop Installation Over Oven



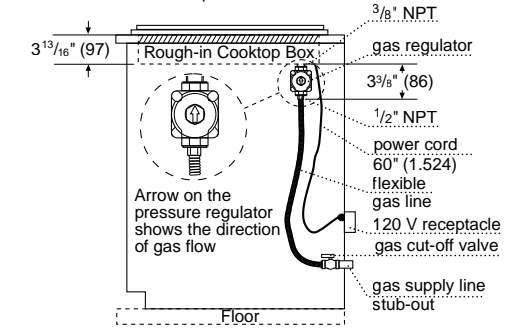
Notes:

Dimensions based on standard countertop height (36" with 4 3/4" toe kick including base plate).

The built-in oven can be installed below the gas cooktop as long as there is no contact between the bottom of the cooktop and the top of the oven.

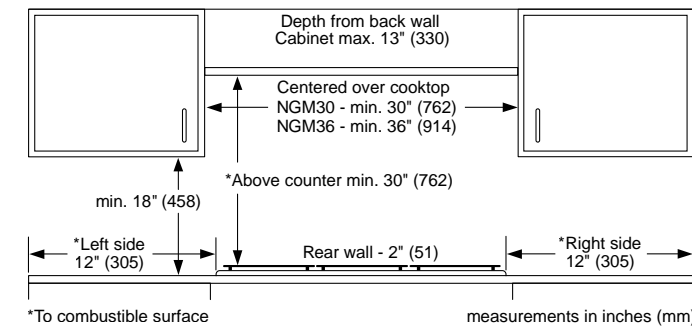
Measurements in inches (mm)

Cooktop Gas Location



Measurements in inches (mm)

Clearances



*To combustible surface

measurements in inches (mm)

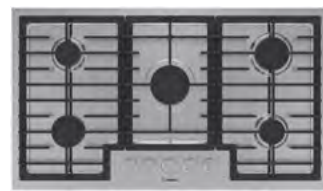


800 / 500 Series 36" Gas Cooktops



36" 800 Series
NGM8659UC (Stainless Steel)

- + 17,000 Max. BTU
- OptiSim® Burner
- + Dishwasher-safe Grates
- + Dual-Ring Hi / Lo Burner



36" 500 Series
NGM5659UC

- 16,000 Max. BTU
- OptiSim® Burner
- Distinctive Red LED Light Burner Indicators

+ Indicates a step-up feature

| | 36" 800 Series | 36" 500 Series |
|---------------------------|--|--|
| | Stainless Steel – NGM8659UC | Stainless Steel – NGM5659UC |
| General Properties | | |
| No. of burners | 5 | 5 |
| Knob color | Stainless steel appearance | Stainless steel appearance |
| Control location | Front-center | Front-center |
| Sealed burners | Yes | Yes |
| Valves | Five 9-level gas valves | Gas |
| Ignition system | Electronic; thermocouple flame monitor control | Electric; thermocouple flame monitor control |
| Cooktop surface material | Stainless steel | Stainless steel |
| Grate material | Cast iron | Cast iron |
| Grate features | Continuous grates, dishwasher safe | Continuous grates |

| Element Performance | | |
|---------------------------------------|---------------------|---------------------|
| Total BTU load (NG / LP) | 42,700 / 41,400 BTU | 41,700 / 41,700 BTU |
| Power of front left burner (NG / LP) | 3,400 / 3,400 BTU | 3,400 / 3,400 BTU |
| Power of back left burner (NG / LP) | 6,000 / 6,000 BTU | 6,000 / 6,000 BTU |
| Power of center burner (NG / LP) | 17,000 / 15,700 BTU | 16,000 / 16,000 BTU |
| Power of back right burner (NG / LP) | 10,300 / 10,300 BTU | 10,300 / 10,300 BTU |
| Power of front right burner (NG / LP) | 6,000 / 6,000 BTU | 6,000 / 6,000 BTU |

| Technical Details | | |
|----------------------------------|---------------------------|---------------------------|
| Circuit breaker | 15 A | 15 A |
| Volts | 120 V | 120 V |
| Frequency | 60 Hz | 60 Hz |
| Plug type, power cord length | 3-prong, 40" | 3-prong, 40" |
| Energy source | Natural gas (factory set) | Natural gas (factory set) |
| Convertible to LP (kit required) | Yes | Yes |

| Dimensions & Weight | | |
|--------------------------------------|--------------------------|--------------------------|
| Overall appliance dimensions (HxWxD) | 4 1/2" x 37" x 21 1/4" | 4 1/2" x 37" x 21 1/4" |
| Required cutout size (HxWxD) | 2" x 34 15/16" x 19 1/8" | 2" x 34 15/16" x 19 1/8" |
| Minimum distance from counter front | 1 7/8" | 1 7/8" |
| Minimum distance from rear wall | 3" | 3" |
| Net weight | 58 lbs | 57 lbs |

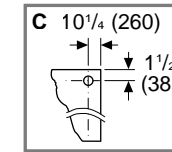
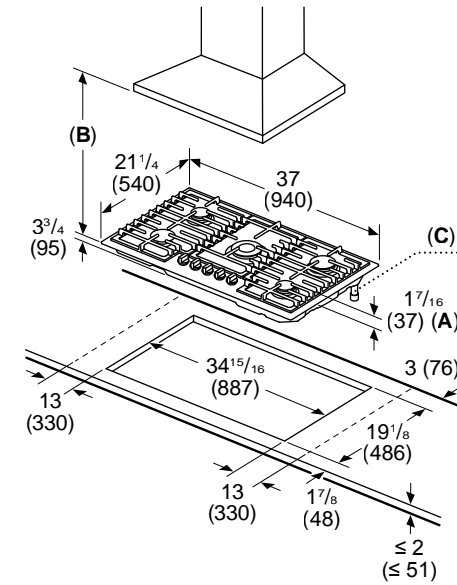
| Accessories – Included | | |
|-------------------------------|---------------------------------|---------------------------------|
| Included | LP conversion kit, OptiSim® cap | LP conversion kit, OptiSim® cap |

Optional Accessories



800 / 500 Series 36" Gas Cooktops

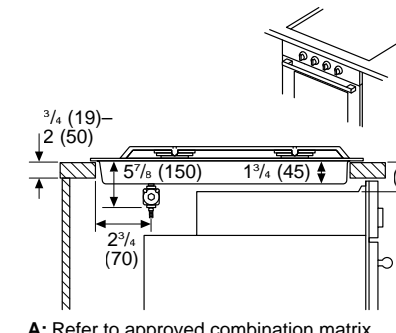
36" Cooktop and Cutout Dimensions



A: Dimension from countertop to top of grates
B: When installed in combination with a hood, refer to hood manufacturer's requirements for installation
C: Gas connection

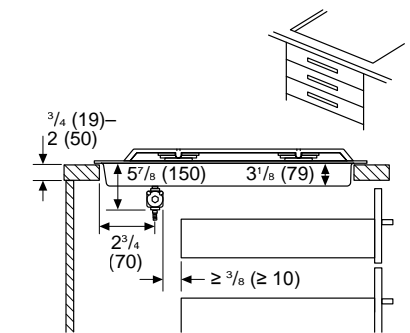
Measurements in inches (mm)

Cooktop Installation Over Oven



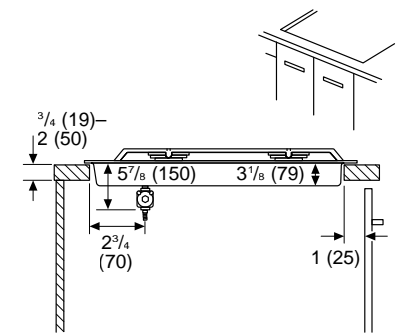
A: Refer to approved combination matrix
 Measurements in inches (mm)

Cooktop Installation Over Drawer



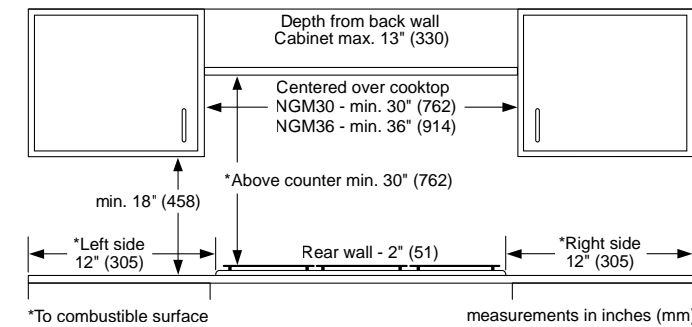
Measurements in inches (mm)

Cooktop Installation Over Door



Measurements in inches (mm)

Clearances



measurements in inches (mm)

NOTE: Bosch gas cooktops can be installed in combination with other Bosch cooking products. See pages 98–99 for details.



500 Series 24" Gas Cooktop



24" 500 Series NGM5453UC

- 10,300 Max. BTU
- LED indicator

24" 500 Series

Stainless Steel – NGM5453UC

General Properties

| | |
|--------------------------|--|
| No. of burners | 4 |
| Knob color | Stainless steel appearance |
| Control location | Front-center |
| Sealed burners | Yes |
| Valves | Gas |
| Ignition system | Electronic; thermocouple flame monitor control |
| Cooktop surface material | Stainless steel |
| Grate material | Cast iron |
| Grate features | Continuous grates |

Element Performance

| | |
|---------------------------------------|-----------------|
| Total BTU load (NG / LP) | 25,700 / 25,700 |
| Power of front left burner (NG / LP) | 6,000 / 6,000 |
| Power of back left burner (NG / LP) | 6,000 / 6,000 |
| Power of center burner (NG / LP) | N/A |
| Power of back right burner (NG / LP) | 10,300 / 10,300 |
| Power of front right burner (NG / LP) | 3,400 / 3,400 |

Technical Details

| | |
|----------------------------------|---------------------------|
| Circuit breaker | 15 A |
| Volts | 120 V |
| Frequency | 60 Hz |
| Plug type | 3-prong |
| Power cord length | 40" |
| Energy source | Natural Gas (factory set) |
| Convertible to LP (kit required) | Yes |

Dimensions & Weight

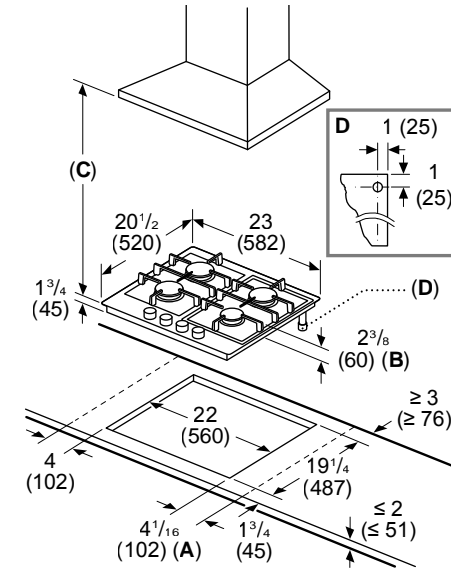
| | |
|--------------------------------------|--------------------|
| Overall appliance dimensions (HxWxD) | 4" x 23" x 20 1/2" |
| Required cutout size (HxWxD) | 2" x 22" x 19 1/4" |
| Minimum distance from counter front | 1 3/4" |
| Minimum distance from rear wall | 3" |
| Net weight | 28 lbs |

Accessories - Included

| | |
|----------|-------------------|
| Included | LP Conversion Kit |
|----------|-------------------|

500 Series 24" Gas Cooktop

24" Cooktop and Cutout Dimensions



A: 5/16" (129 mm) required when installed with a built-in oven

Refer to the "Bosch under cooktop built-in guide" for more details

B: Dimension from countertop to top of grates

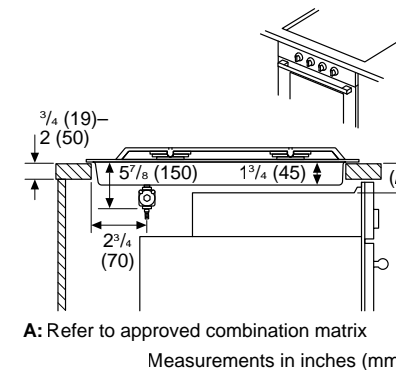
C: When installed in combination with a hood, refer to hood manufacturer's requirements for installation

D: Gas connection

Measurements in inches (mm)

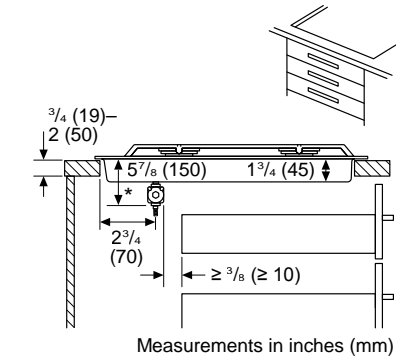
NOTE: Bosch gas cooktops can be installed in combination with other Bosch cooking products. See pages 98-99 for details.

Cooktop Installation Over Oven



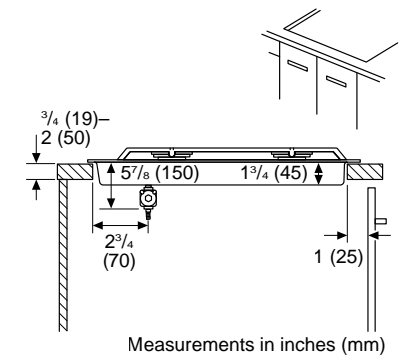
A: Refer to approved combination matrix
Measurements in inches (mm)

Cooktop Installation Over Drawer



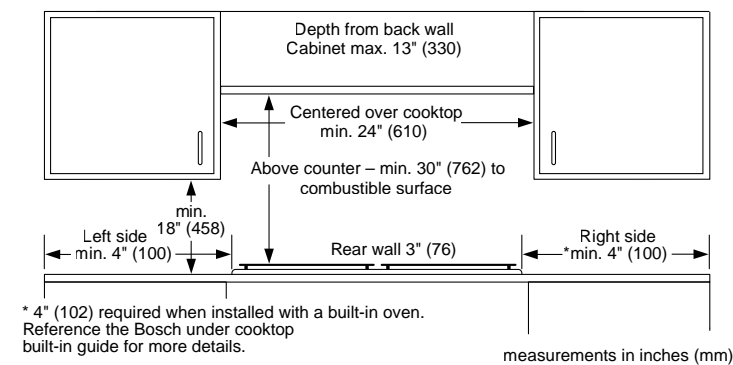
Measurements in inches (mm)

Cooktop Installation Over Door



Measurements in inches (mm)

Clearances



* 4" (102) required when installed with a built-in oven. Reference the Bosch under cooktop built-in guide for more details.

measurements in inches (mm)



Benchmark™ Series 30" & 36" Electric Cooktops



30" Benchmark™ Series
NETP069SUC

- 9", 3,600 W Dual-Ring Element
- 7", 2,000 W Dual-Ring Element
- AutoChef®
- SpeedBoost®
- PreciseSelect®



36" Benchmark™ Series
NETP669SUC

- 11", 3,080 W Triple-Ring Element
- 8", 1,900 W Dual-Ring Element
- AutoChef®
- Bridge Element
- PreciseSelect®

| | 30" Benchmark™ Series | 36" Benchmark™ Series |
|--|---|---|
| | Black with Stainless Steel Frame – NETP069SUC | Black with Stainless Steel Frame – NETP669SUC |

Element Performance

| | | |
|--------------------------------------|-----------------|-------------------------|
| Power of front left heating element | 2,000 / 800 W | 1,800 W |
| Power of back left heating element | 1,200 W | 1,800 W |
| Power of center heating element | 3,600 / 1,400 W | 3,080 / 2,200 / 1,050 W |
| Power of back right heating element | 1,200 W | 1,200 W |
| Power of front right heating element | 1,500 W | 1,900 / 800 W |

Element Size

| | | |
|--|--------|-------------|
| Dimension of front left heating element | 7", 5" | 7" |
| Dimension of back left heating element | 6" | 7" |
| Dimension of center heating element | 9", 6" | 11", 8", 6" |
| Dimension of back right heating element | 6" | 6" |
| Dimension of front right heating element | 7" | 8", 5" |

Technical Details

| | | |
|-----------------|-------------|-------------|
| Watts | 9,000 W | 9,700 W |
| Circuit breaker | 40 A | 40 A |
| Volts | 208 – 240 V | 208 – 240 V |
| Frequency | 60 Hz | 60 Hz |
| Plug type | No plug | No plug |
| Energy source | Electric | Electric |

Dimensions & Weight

| | | |
|--------------------------------------|--------------------|--------------------|
| Overall appliance dimensions (HxWxD) | 4" x 31" x 21 1/4" | 4" x 37" x 21 1/4" |
| Required cutout size (HxWxD) | 4" x 28 7/8" x 20" | 4" x 34 7/8" x 20" |
| Minimum distance from counter front | 2 1/4" | 2 1/4" |
| Minimum distance from rear wall | 2" | 2" |
| Net weight | 27 lbs | 33 lbs |

Optional Accessories



HEZ390210
8" AutoChef® Pan
for 6" Element



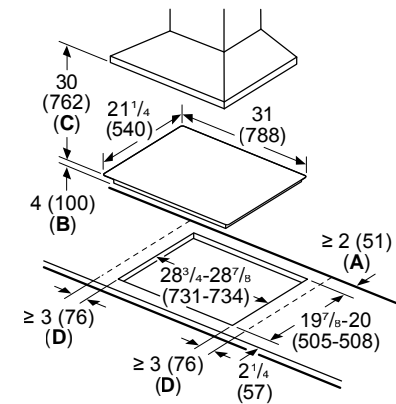
HEZ390220
9" AutoChef® Pan
for 7" Element



HEZ390230
10" AutoChef® Pan
for 8" and 9" Elements

Benchmark™ Series 30" & 36" Electric Cooktops

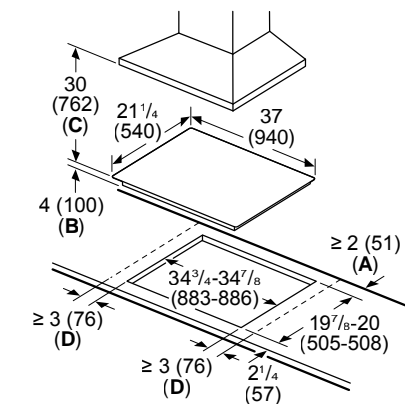
30" Cooktop and Cutout Dimensions



- A:** Min. distance from the cooktop cut-out to the wall
- B:** Max. recessed depth
- C:** Min. distance between the surface of the cooktop and the underside of the ventilation hood
This distance can be smaller, check installation instructions of ventilation hood
- D:** Min. distance from the cooktop cut-out to the side wall

Measurements in inches (mm)

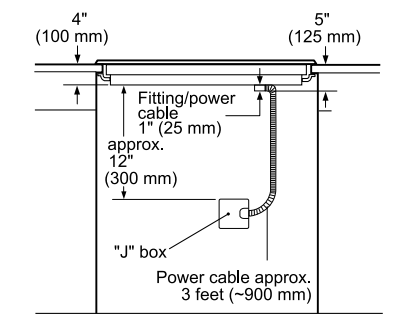
36" Cooktop and Cutout Dimensions



- A:** Min. distance from the cooktop cut-out to the wall
- B:** Max. recessed depth
- C:** Min. distance between the surface of the cooktop and the underside of the ventilation hood
This distance can be smaller, check installation instructions of ventilation hood
- D:** Min. distance from the cooktop cut-out to the side wall

Measurements in inches (mm)

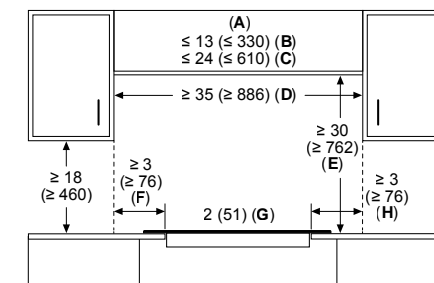
Electrical Location



measurement in inches (mm)

NOTE: Bosch electric cooktops can be installed in combination with other Bosch cooking products. See pages 98–99 for details.

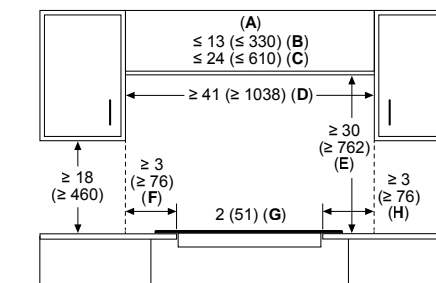
30" Cooktop Clearances



- A:** Depth from back wall
- B:** Cabinet
- C:** Hood depth
- D:** Combustible surface centered over cooktop
- E:** Above counter to combustible surface
- F:** Left side
- G:** Rear wall
- H:** Right side

Measurements in inches (mm)

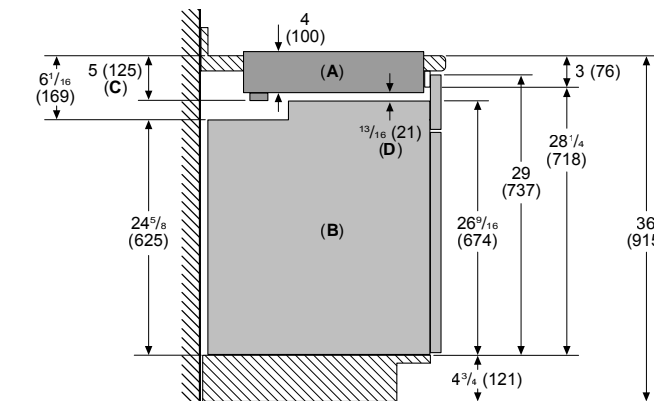
36" Cooktop Clearances



- A:** Depth from back wall
- B:** Cabinet
- C:** Hood depth
- D:** Combustible surface centered over cooktop
- E:** Above counter to combustible surface
- F:** Left side
- G:** Rear wall
- H:** Right side

Measurements in inches (mm)

Cooktop Installation Above Wall Oven



- A:** Cooktop
- B:** Built-in oven
- C:** Cooktop conduit fitting
- D:** Dimensions based on standard countertop height: 36" (914 mm) with 4 3/4" (121 mm) toe kick including base plate
The built-in oven can be installed below the electric cooktop as long as there is no contact between the bottom of the cooktop and the top of the oven

Measurements in inches (mm)



800 / 500 Series 30" Electric Cooktops



30" 800 Series
NET8069UC (Frameless)
NET8069SUC (Frame)

- +PreciseSelect® Control
- +9", 3,600 W Dual-Ring Element
- +Bridge Element



30" 500 Series
NEM5066UC

- 7" Dual-Ring Element
- 9", 2,500 W Element
- Residual Heat Indicator
- Stainless Steel Color Knobs



+ Indicates a step-up feature

| | 30" 800 Series | 30" 500 Series |
|---|----------------|-----------------------------|
| Black Frameless – NET8069UC | | Black Frameless – NEM5066UC |
| Black with Stainless Steel Frame – NET8069SUC | | |

General Properties

| | | |
|---------------|---|---------------------------------|
| Knob material | – | Stainless steel color – plastic |
|---------------|---|---------------------------------|

Element Performance

| | | |
|--------------------------------------|-----------------|---------------|
| Power of front left heating element | 1,800 W | 1,700 / 700 W |
| Power of back left heating element | 1,800 W | 1,800 W |
| Power of back right heating element | 3,600 / 1,400 W | 1,200 W |
| Power of front right heating element | 1,200 W | 2,500 W |

Element Size

| | | |
|--|--------|--------|
| Dimension of front left heating element | 7" | 7", 5" |
| Dimension of back left heating element | 7" | 7" |
| Dimension of back right heating element | 9", 6" | 6" |
| Dimension of front right heating element | 6" | 9" |

Technical Details

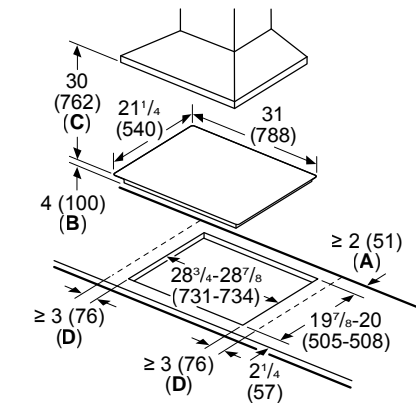
| | | |
|-----------------|-----------|-----------|
| Watts | 8,300 W | 7,200 W |
| Circuit breaker | 40 A | 30 A |
| Volts | 208–240 V | 208–240 V |
| Frequency | 60 Hz | 60 Hz |
| Plug type | No plug | No plug |
| Energy source | Electric | Electric |

Dimensions & Weight

| | | |
|--------------------------------------|--------------------|--------------------|
| Overall appliance dimensions (HxWxD) | 4" x 31" x 21 1/4" | 4" x 31" x 21 1/4" |
| Required cutout size (HxWxD) | 4" x 28 7/8" x 20" | 4" x 28 7/8" x 20" |
| Minimum distance from counter front | 2 1/4" | 2 1/4" |
| Minimum distance from rear wall | 2" | 2" |
| Net weight | 27 lbs | 25 lbs |

800 / 500 Series 30" Electric Cooktops

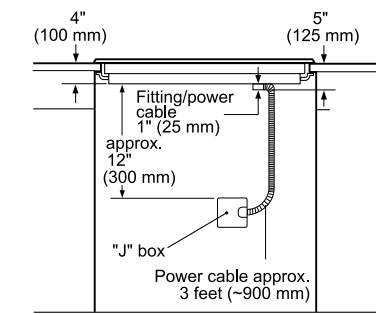
30" Cooktop and Cutout Dimensions



- A:** Min. distance from the cooktop cut-out to the wall
- B:** Max. recessed depth
- C:** Min. distance between the surface of the cooktop and the underside of the ventilation hood. This distance can be smaller, check installation instructions of ventilation hood
- D:** Min. distance from the cooktop cut-out to the side wall

Measurements in inches (mm)

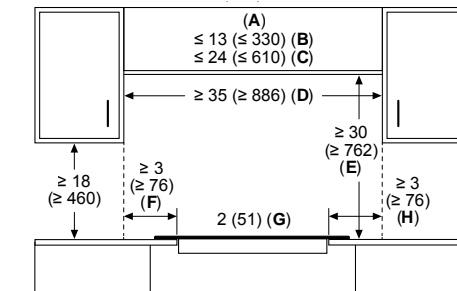
Cooktop Electrical Location



measurement in inches (mm)

NOTE: Bosch electric cooktops can be installed in combination with other Bosch cooking products. See pages 98–99 for details.

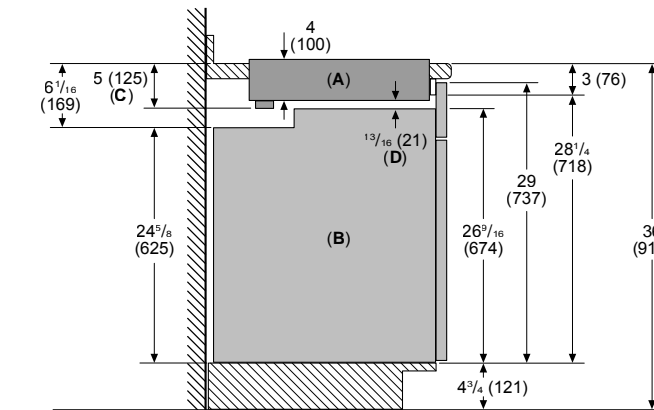
Clearances



- A:** Depth from back wall
- B:** Cabinet
- C:** Hood depth
- D:** Combustible surface centered over cooktop
- E:** Above counter to combustible surface
- F:** Left side
- G:** Rear wall
- H:** Right side

Measurements in inches (mm)

Cooktop Installation Above Wall Oven



- A:** Cooktop
- B:** Built-in oven
- C:** Cooktop conduit fitting
- D:** Dimensions based on standard countertop height: 36" (914 mm) with 4 3/4" (121 mm) toe kick including base plate. The built-in oven can be installed below the electric cooktop as long as there is no contact between the bottom of the cooktop and the top of the oven

Measurements in inches (mm)

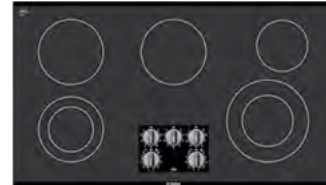


800 / 500 Series 36" Electric Cooktops



36" 800 Series
NET8669UC (Frameless)
NET8669SUC (Frame)

- + PreciseSelect®
- + 9", 3,600 W Center Element
- + SpeedBoost®
- + Bridge element



36" 500 Series
NEM5666UC

- Residual Heat Indicator
- 9", 2,500 W Dual-Ring Element
- 7", 1,700 W Dual-Ring Element
- Stainless Steel Color Knobs

+ Indicates a step-up feature

| 36" 800 Series | 36" 500 Series |
|---|-----------------------------|
| Black Frameless – NET8669UC | Black Frameless – NEM5666UC |
| Black with Stainless Steel Frame – NET8669SUC | |

General Properties

| | | |
|---------------|---|---------------------------------|
| Knob material | - | Stainless steel color – plastic |
|---------------|---|---------------------------------|

Element Performance

| | | |
|--------------------------------------|-----------------|-----------------|
| Power of front left heating element | 1,800 W | 1,700 / 700 W |
| Power of back left heating element | 1,800 W | 1,800 W |
| Power of center heating element | 3,600 / 1,400 W | 1,800 W |
| Power of back right heating element | 1,200 W | 1,200 W |
| Power of front right heating element | 1,900 / 800 W | 2,500 / 1,100 W |

Element Size

| | | |
|--|--------|--------|
| Dimension of front left heating element | 7" | 7", 5" |
| Dimension of back left heating element | 7" | 7" |
| Dimension of center heating element | 9", 6" | 7" |
| Dimension of back right heating element | 6" | 6" |
| Dimension of front right heating element | 8", 5" | 9", 6" |

Technical Details

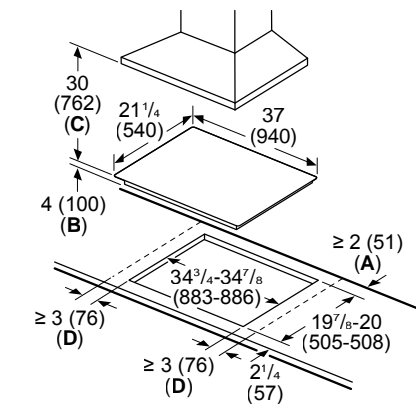
| | | |
|-----------------|-------------|-------------|
| Watts | 10,200 W | 9,000 W |
| Circuit breaker | 50 A | 40 A |
| Volts | 208 – 240 V | 208 – 240 V |
| Frequency | 60 Hz | 60 Hz |
| Plug type | No plug | No plug |
| Energy source | Electric | Electric |

Dimensions & Weight

| | | |
|--------------------------------------|--------------------|--------------------|
| Overall appliance dimensions (HxWxD) | 4" x 37" x 21 1/4" | 4" x 37" x 21 1/4" |
| Required cutout size (HxWxD) | 4" x 34 7/8" x 20" | 4" x 34 7/8" x 20" |
| Minimum distance from counter front | 2 1/4" | 2 1/4" |
| Minimum distance from rear wall | 2" | 2" |
| Net weight | 31 lbs | 30 lbs |

800 / 500 Series 36" Electric Cooktops

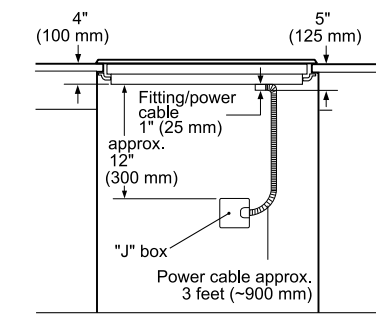
36" Cooktop and Cutout Dimensions



- A:** Min. distance from the cooktop cut-out to the wall
- B:** Max. recessed depth
- C:** Min. distance between the surface of the cooktop and the underside of the ventilation hood
This distance can be smaller, check installation instructions of ventilation hood
- D:** Min. distance from the cooktop cut-out to the side wall

Measurements in inches (mm)

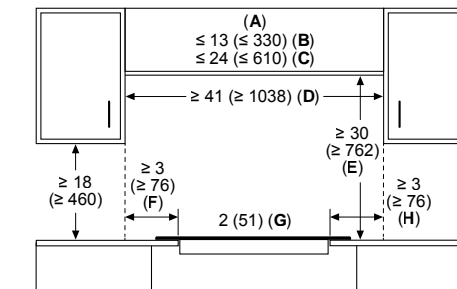
Cooktop Electrical Location



measurement in inches (mm)

NOTE: Bosch electric cooktops can be installed in combination with other Bosch cooking products. See pages 98–99 for details.

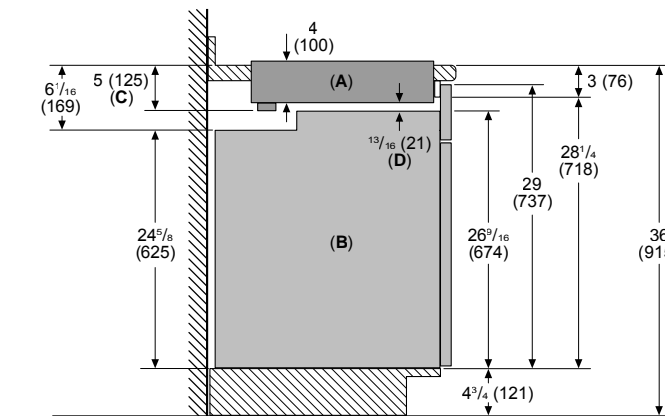
Clearances



- A:** Depth from back wall
- B:** Cabinet
- C:** Hood depth
- D:** Combustible surface centered over cooktop
- E:** Above counter to combustible surface
- F:** Left side
- G:** Rear wall
- H:** Right side

Measurements in inches (mm)

Cooktop Installation Above Wall Oven

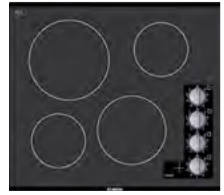


- A:** Cooktop
- B:** Built-in oven
- C:** Cooktop conduit fitting
- D:** Dimensions based on standard countertop height: 36" (914 mm) with 4 3/4" (121 mm) toe kick including base plate
The built-in oven can be installed below the electric cooktop as long as there is no contact between the bottom of the cooktop and the top of the oven

Measurements in inches (mm)



500 Series 24" Electric Cooktop



24" 500 Series
NEM5466UC

- 8", 2,200 W Element
- 6", 1,850 W Element
- Residual Heat Indicator
- Stainless Steel Color Knobs

24" 500 Series

Black Frameless – NEM5466UC

General Properties

| | |
|---------------|---------|
| Knob material | Plastic |
|---------------|---------|

Element Performance

| | |
|--------------------------------------|---------|
| Power of front left heating element | 1,850 W |
| Power of back left heating element | 2,200 W |
| Power of back right heating element | 1,200 W |
| Power of front right heating element | 1,800 W |

Element Size

| | |
|--|----|
| Dimension of front left heating element | 6" |
| Dimension of back left heating element | 8" |
| Dimension of back right heating element | 6" |
| Dimension of front right heating element | 7" |

Technical Details

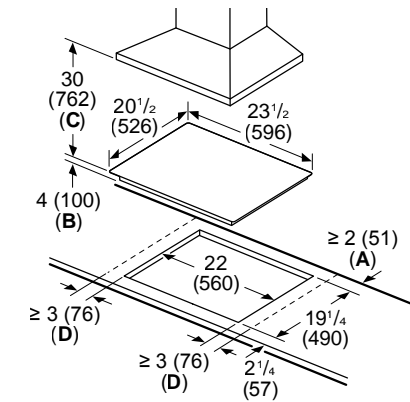
| | |
|-----------------|-----------|
| Watts | 7,100 W |
| Circuit breaker | 30 A |
| Volts | 208–240 V |
| Frequency | 60 Hz |
| Plug type | No plug |
| Energy source | Electric |

Dimensions & Weight

| | |
|--------------------------------------|------------------------|
| Overall appliance dimensions (HxWxD) | 4" x 23 1/2" x 20 1/2" |
| Required cutout size (HxWxD) | 4 1/8" x 22" x 19 1/4" |
| Minimum distance from counter front | 2 1/4" |
| Minimum distance from rear wall | 2" |
| Net weight | 20 lbs |

500 Series 24" Electric Cooktop

Cooktop and Cutout Dimensions



A: Min. distance from the cooktop cut-out to the wall

B: Max. recessed depth

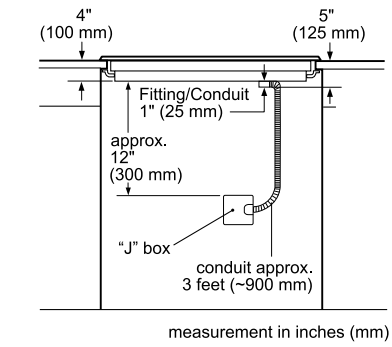
C: Min. distance between the surface of the cooktop and the underside of the exhaust hood

This distance can be smaller, check installation instructions of exhaust hood

D: Min. distance from the cooktop cut-out to the side wall

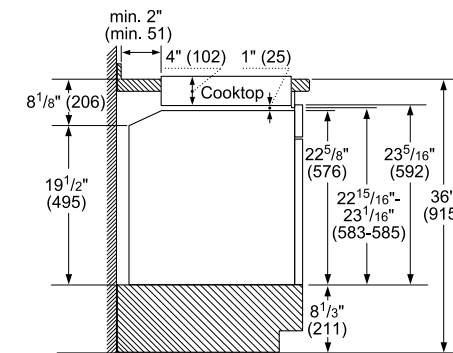
Measurements in inches (mm)

Gas Location



NOTE: Bosch electric cooktops can be installed in combination with other Bosch cooking products. See pages 98–99 for details.

Cooktop Installation Above Wall Oven



Notes: Dimensions based on standard countertop height (36" with 4 3/4" toe kick including base plate).

The built-in oven can be installed below the cooktop as long as there is at least 1" (25) of space between the bottom flat surface of the cooktop and the top of the oven.

Please allow at least 2" (51) from the countertop front edge to the edge of the cutout.

measurements in inches (mm)



800 Series Gas Rangetops



30" 800 Series
RGM8058UC

- Commercial Design
- 18,000 BTU Dual Flame Ring Power Burner
- Dishwasher-safe Grates
- OptiSim® burner
- Stainless Steel Exterior & Knobs



36" 800 Series
RGM8658UC

- Commercial Design
- 18,000 BTU Dual Flame Ring Power Burner
- Dishwasher-safe Grates
- OptiSim® burner
- Stainless Steel Exterior & Knobs

| | 30" 800 Series | 36" 800 Series |
|--|-----------------------------|-----------------------------|
| | Stainless Steel – RGM8058UC | Stainless Steel – RGM8658UC |

| General Properties | | |
|--------------------------|------------------------------------|------------------------------------|
| Number of Burners | 4 | 6 |
| Knob material | Metal | Metal |
| Control location | Up Front | Up Front |
| Sealed burners | Yes | Yes |
| Ignition system | Electric; flame failure device | Electric; flame failure device |
| Cooktop surface material | Porcelain coated steel | Porcelain coated steel |
| Grate material | Cast iron | Cast iron |
| Grate features | Continuous grates; dishwasher safe | Continuous grates; dishwasher safe |

| Element Performance | | |
|--|---------------------|--------------------------------|
| Total BTU load (NG / LP) | 47,000 / 47,000 BTU | 77,000 / 77,000 BTU |
| Power of front left burner (NG / LP) | 12,000 / 12,000 BTU | 18,000 / 18,000 BTU Dual-flame |
| Power of back left burner (NG / LP) | 12,000 / 12,000 BTU | 12,000 / 12,000 BTU |
| Power of front center burner (NG / LP) | – | 12,000 / 12,000 BTU |
| Power of back center burner (NG / LP) | – | 12,000 / 12,000 BTU |
| Power of back right burner (NG / LP) | 5,000 / 5,000 BTU | 5,000 / 5,000 BTU OptiSim® |
| Power of front right burner (NG / LP) | 18,000 / 18,000 BTU | 18,000 / 18,000 BTU Dual-flame |

| Technical Details | | |
|----------------------------------|---------------------------|---------------------------|
| Circuit breaker | 15 A | 15 A |
| Volts | 120 V | 120 V |
| Frequency | 60 Hz | 60 Hz |
| Plug type | 3 prong | 3 prong |
| Power cord length | 60" | 60" |
| Energy source | Natural gas (factory set) | Natural gas (factory set) |
| Convertible to LP (kit required) | Yes | Yes |

| Dimensions & Weight | | |
|--------------------------------------|------------------------------|------------------------------|
| Overall appliance dimensions (HxWxD) | 7 1/2" x 29 15/16" x 26 5/8" | 7 1/2" x 35 15/16" x 26 5/8" |
| Required cutout size (HxWxD) | 7 3/8" x 30" x 24" | 7 3/8" x 36" x 24" |
| Minimum distance from side wall | 20"* | 20"* |
| Net weight | 31 lbs | 34.5 lbs |

| Accessories – Included | | |
|------------------------|---------------------------------|---------------------------------|
| Included | LP conversion kit, OptiSim® cap | LP conversion kit, OptiSim® cap |

*If one side has a minimum distance of 28" (711 mm) to the wall, the other distance can be minimum 12" (305 mm) to the wall.

Optional Accessories



HEZ9GR41UC
Griddle



HEZ9GW23UC
Wok Ring



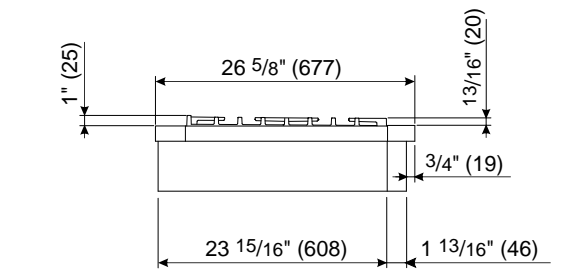
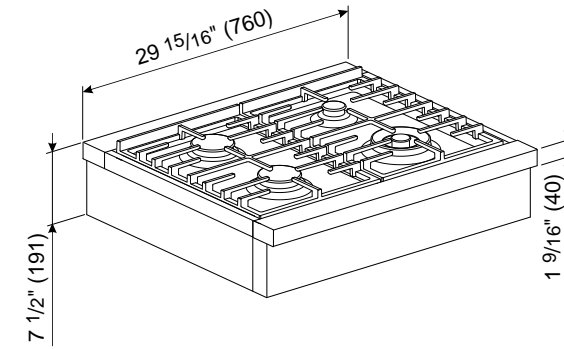
HEZ7YZ30UC
9" Backguard for 30" Rangetop
(Stainless Steel)



HEZ7YZ36UC
9" Backguard for 36" Rangetop
(Stainless Steel)

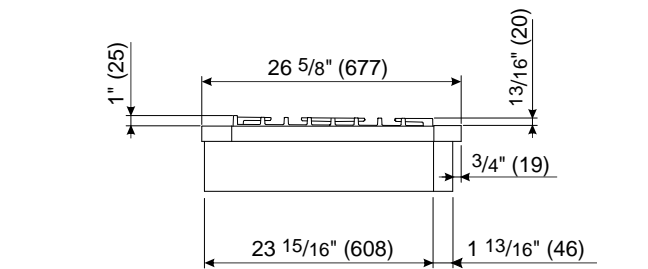
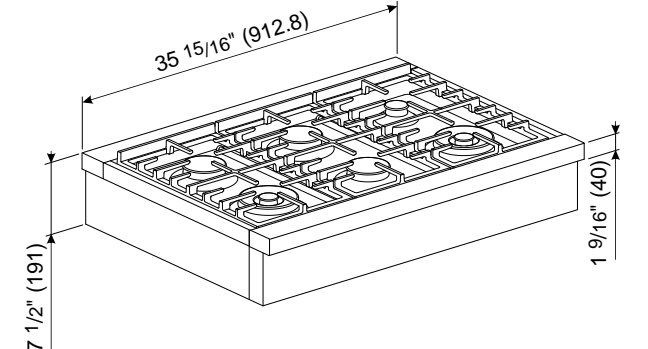
800 Series Gas Rangetops

30" Rangetop and Cutout Dimensions

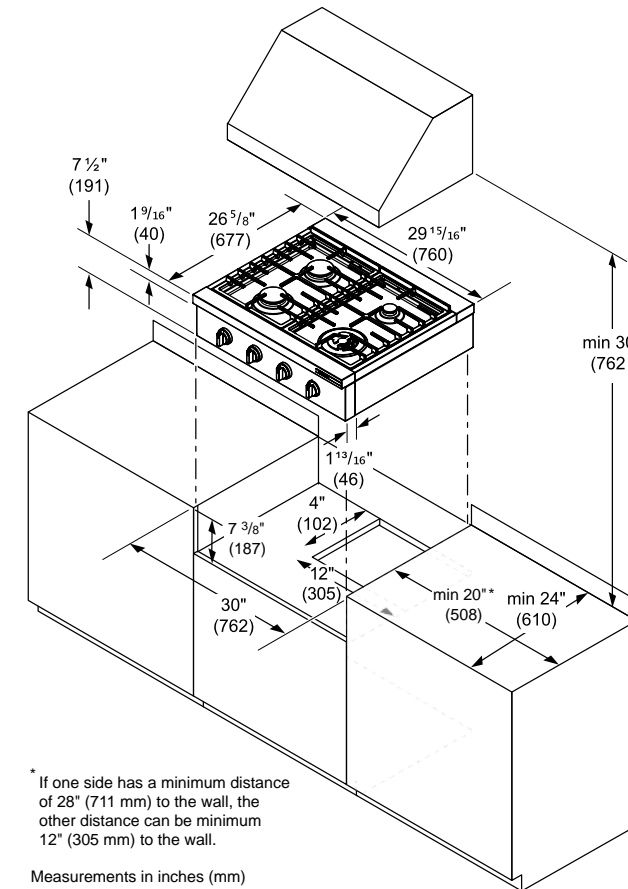


Measurements in inches (mm)

36" Rangetop and Cutout Dimensions

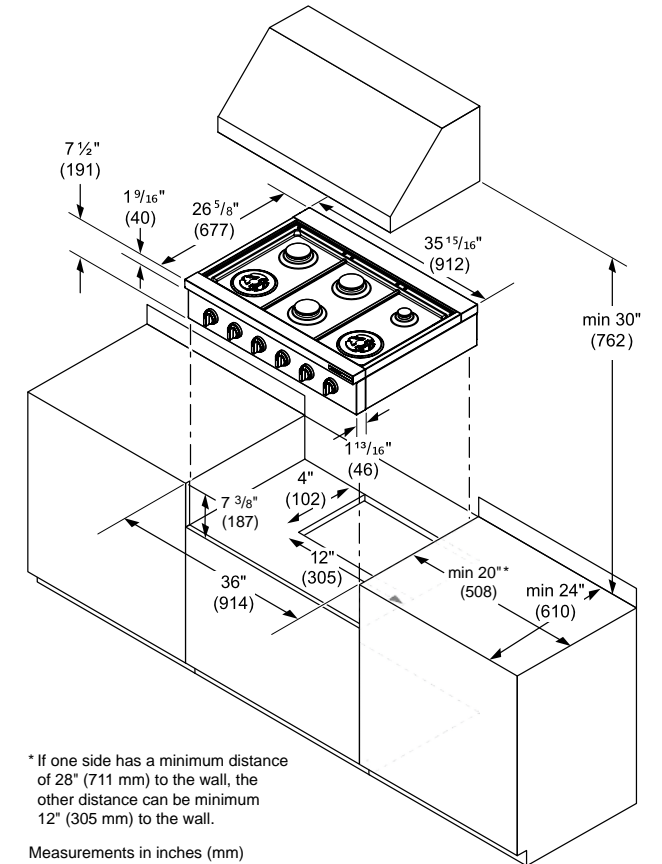


Measurements in inches (mm)



* If one side has a minimum distance of 28" (711 mm) to the wall, the other distance can be minimum 12" (305 mm) to the wall.

Measurements in inches (mm)



* If one side has a minimum distance of 28" (711 mm) to the wall, the other distance can be minimum 12" (305 mm) to the wall.

Measurements in inches (mm)





WORLD'S
No1
COMPANY
ovens*

Built-in Wall Ovens

Bosch ovens are designed to beautifully enhance any kitchen. Whether cooking a quiche for two or preparing a roast for twelve, our ovens are engineered with innovative technologies that perform flawlessly, day in and day out. Bosch ovens let you cook with creativity and ease, with features like QuietClose® doors that never slam shut after a hectic day. Convection Multi-Rack combines a third heating element with a back fan for even browning and time savings by using multiple racks at one time. With an understated, built-in look that makes a timeless statement, the Bosch oven compliments your taste in both cooking and design.

*Source Euromonitor International Limited; BSH Hausgeräte GmbH in Built-in Major Appliances includes Large Cooking and Refrigeration Appliances, volume sales 2023



Benchmark™ Series Built-in Wall Ovens

include these features:



SideOpening Door

Our SideOpening oven doors make it more comfortable to access inside your oven.



QuietClose® Doors

Our QuietClose® doors never slam shut, instead closing smoothly and effortlessly for stress-free cooking.



Steam Cooking

Versatile and healthy, you can even roast tender meats with a golden brown crust. Steam cooking helps retain nutrients and moisture, so food comes out fresh and flavorful, every time.



Integrated Temperature Probe

Takes the guesswork out of cooking meats. The probe monitors the internal temperature of meats and automatically turns off the oven when the desired doneness is reached.



Benchmark™ Series Steam Convection Oven



30" Benchmark™ Series Steam Convection HSLP451UC

- 1.4 cu. ft.
- Color TFT Control Panel with SteelTouch® Buttons
- Halogen Lights
- Chicken and Vegetable Programs
- No Trim Kit Needed



30" Benchmark Series

Stainless Steel – HSLP451UC

General Properties

| | |
|-------------------|--|
| Oven modes | Steam, Steam Convection, Convection Multi-Rack, Reheat, Keep Warm, Defrost, Slow Cook, Proof, Dish Warming, 2 Chicken and 7 Vegetable Programs |
| Cleaning type | Steam clean |
| Illumination type | Halogen |
| Interior lights | 1 |

Oven Performance

| | |
|----------------------------|---------|
| Steam element wattage | 1,960 W |
| Convection element wattage | 1,960 W |

Technical Details

| | |
|-------------------|---------------------------|
| Watts | 1,960 W |
| Circuit breaker | 15 A |
| Volts | 240 / 208 V |
| Frequency | 60 Hz |
| Power cord length | 48" |
| Plug type | Fixed connection, no plug |
| Energy source | Electric |
| Installation Type | Non-plumbed |

Dimensions & Weight

| | |
|---|-----------------------------|
| Overall appliance dimensions (HxWxD) | 19 5/8" x 29 3/4" x 22 3/8" |
| Oven cavity size | 1.4 cu. ft. |
| Required cutout size – standard (HxWxD) | 19 1/4" x 28 1/2" x 23 1/2" |
| Required cutout size – flush (HxWxD) | 20 1/8" x 30" x 23 1/2" |
| Net weight | 70 lbs |

Accessories – Included

| | |
|----------|--|
| Included | Wire rack, perforated cooking pan – full size, perforated cooking pan – half size, baking tray |
|----------|--|

Optional Accessories



11027159
Cooking Pan – full size, 1 5/8" deep [not included with product]



00664949
Baking Tray – full size, 1 1/8" deep



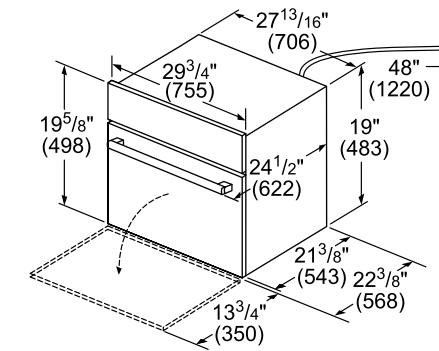
00577553
Perforated Cooking Pan – half size, 1 5/8" deep



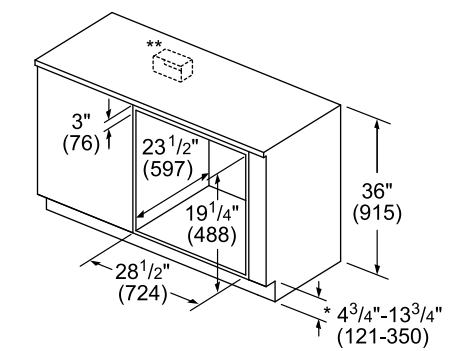
00577552
Cooking Pan – half size, 1 5/8" deep

Benchmark™ Series Steam Convection Oven

Product Dimensions



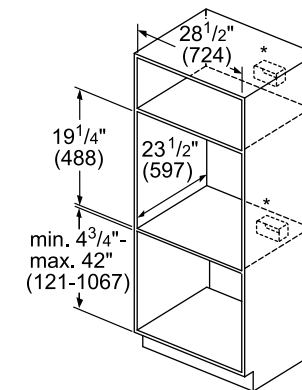
Under-Counter Installation



* Includes 3/4" (19) base plate

** Receptacle may be located to the left or right of the unit within reach of the power cord.

Wall Mounted Installation

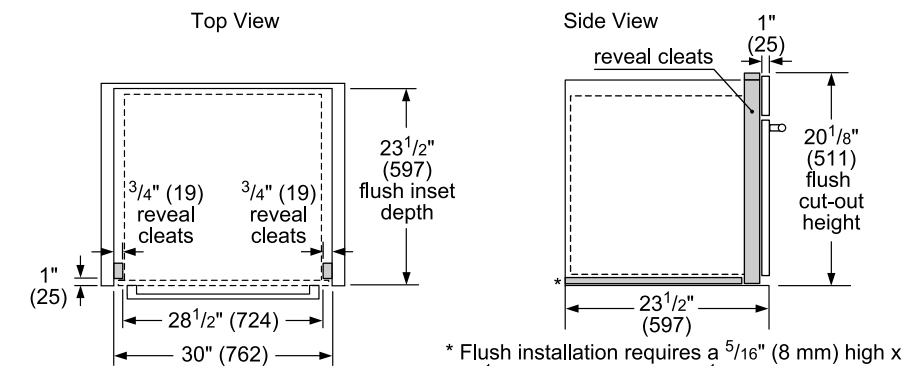


* Receptacle may be located above or beneath the unit within reach of the power cord.

measurements in inches (mm)

NOTE: Bosch steam convection oven can be installed in combination with other Bosch cooking products. See pages 86–101 for details.

Flush Installation




* Flush installation requires a 5/16" (8 mm) high x 28 1/2" (724 mm) wide x 22 1/2" (571 mm) deep baseplate underneath the unit body.

Measurements in inches (mm)




Benchmark™ Series Single Ovens




**30" Benchmark™ Series
HBLP454UC**

- 4.6 cu. ft.
- + Air Fry
- + Color TFT Control Panel
- QuietClose® Door
- Convection Multi-Rack



**SideOpening
Left Swing Door
HBLP451LUC**



**SideOpening
Right Swing Door
HBLP451RUC**

**30" Benchmark™ Series
HBLP451LUC
HBLP451RUC**

- 4.6 cu. ft.
- + AutoProbe
- QuietClose® Door
- Convection Multi-Rack
- + Color TFT Control Panel

+ Indicates a step-up feature

| | 30" Benchmark™ Series | 30" Benchmark™ Series |
|--|-----------------------------|---|
| | Stainless Steel – HBLP454UC | SideOpening Left Swing Stainless Steel – HBLP451LUC SideOpening Right Swing Stainless Steel – HBLP451RUC |

General Properties

| | | |
|-------------------|--|---|
| Oven modes | Air Fry, Pizza, AutoProbe, EcoChef, Bake, Broil (Hi & Low), Roast, Warm, Proof Dough, Convection Bake, Convection Broil, Convection Roast, Convection Multi-Rack, Convection Conversion, Fast Preheat, Frozen Foods, Sabbath | Bake, Variable Broil (Hi & Low), Roast, Warm, Sabbath, Proof Dough, Convection Bake, Convection Broil, Convection Roast, Pizza, Convection Multi-Rack, Convection Conversion, AutoProbe, Fast Preheat, EcoChef, Speed Convection (Frozen Foods) |
| Cleaning type | Self clean | Self clean |
| Telescopic rack | 1 | 1 |
| Illumination type | Halogen | Halogen |
| Interior lights | 2 | 2 |

Oven Performance

| | | |
|-----------------------------|-------------------|---------|
| Bake element wattages | 2,400 W (4-pass) | 2,400 W |
| Broil element wattages | 3,800 W (12-pass) | 3,800 W |
| Convection element wattages | 2,000 W | 2,000 W |

Technical Details

| | | |
|-------------------|-------------------------------------|---------------------------|
| Watts | 6,400 W at 240 V / 4,800 W at 208 V | 6,325 W |
| Circuit breaker | 30 A | 30 A |
| Volts | 240 / 208 V | 240 / 208 V |
| Frequency | 60 Hz | 60 Hz |
| Power cord length | 60" | 60" |
| Plug type | Fixed connection, no plug | Fixed connection, no plug |
| Energy source | Electric | Electric |

Dimensions & Weight

| | | |
|--|------------------------------------|------------------------------------|
| Overall appliance dimensions (HxWxD) | 29" x 29 3/4" x 24 1/2" | 29" x 29 3/4" x 24 1/2" |
| Required cutout size – standard (HxWxD) | 27" – 28 5/8"* x 28 1/2" x 23 1/2" | 27" – 28 5/8"* x 28 1/2" x 23 1/2" |
| Required cutout size – flush (HxWxD) | 29 1/8" x 30 3/4" x 24 1/2" | 29 1/8" x 30 3/4" x 24 1/2" |
| Oven cavity size | 4.6 cu. ft. | 4.6 cu. ft. |
| Overall oven interior dimensions (HxWxD) | 17 13/16" x 24 1/8" x 18" | 17 13/16" x 24 1/8" x 18" |
| Usable oven interior dimensions (HxWxD) | 12 5/16" x 23 1/4" x 15 1/4" | 12 5/16" x 23 1/4" x 15 1/4" |
| Net weight | 159 lbs | 149 lbs |

Accessories – Included

| | | |
|----------|--|--|
| Included | 1 Telescopic and 2 standard oven racks, temperature probe, broiler pan | 1 Telescopic and 2 standard oven racks, temperature probe, broiler pan |
|----------|--|--|

*For under counter installation, standard cut-out height is 28 1/4"

Optional Accessories



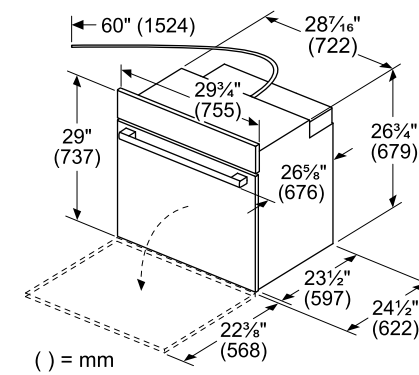
HEZTR301
30" Telescopic Rack

00798845
30" Flat Rack

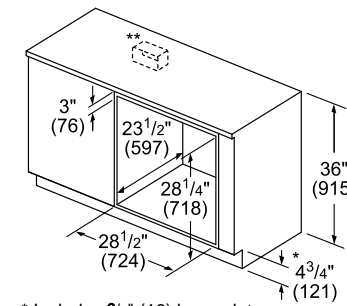
00449757
Broiler Pan

Benchmark™ Series Single Ovens

30" Single Wall Oven

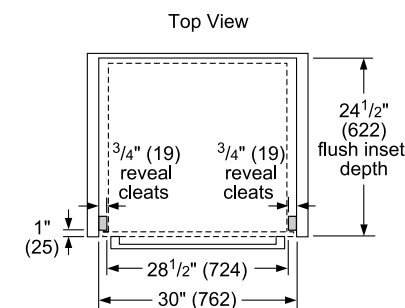


Under-Counter Installation

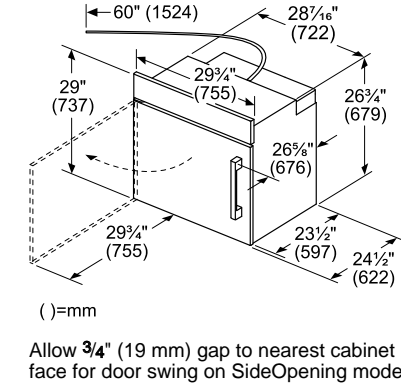


**For single ovens installed under a countertop, the junction box may be located to the left or right of the unit within reach of the power conduit.

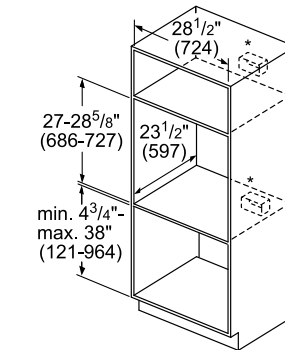
30" Single Wall Oven Flush Installation



30" SideOpening Left Swing Door

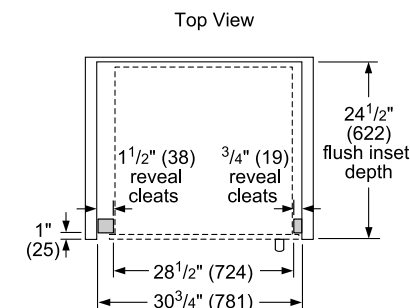


Wall-Mounted Installation

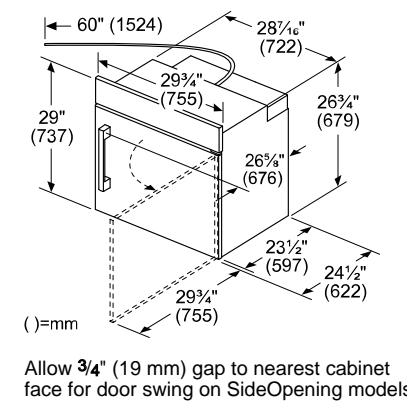


* For single ovens installed into a wall cabinet, the junction box may be located above or beneath the unit within reach of the power conduit.

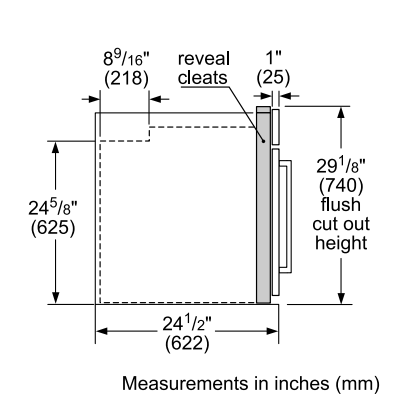
30" SideOpening Left Swing Door Flush Installation



30" SideOpening Right Swing Door



Single Wall Oven Flush Installation



NOTE: Bosch single wall ovens can be installed in combination with other Bosch cooking products. See the guide on pages 86–101 for details.



800 Series Single Ovens



**30" 800 Series
HBL8454UC**

- 4.6 cu. ft.
- Air Fry
- + QuietClose® Door
- Convection Multi-Rack
- Temperature Probe

 Home Connect



**SideOpening
Left Swing Door
HBL8444LUC**



**SideOpening
Right Swing Door
HBL8444RUC**

**30" 800 Series
HBL8444LUC
HBL8444RUC**

- 4.6 cu. ft.
- Touch Control
- Convection Multi-Rack
- Temperature Probe

 Home Connect

+ Indicates a step-up feature

| | 30" 800 Series | 30" 800 Series |
|-------------------------------|---|---|
| | Stainless Steel – HBL8454UC | SideOpening Left Swing Black Stainless Steel – HBL8444LUC SideOpening Right Swing Black Stainless Steel – HBL8444RUC |
| General Properties | | |
| Home Connect® (Wi-Fi enabled) | Yes | Yes |
| Oven modes | Air Fry, Pizza, Bake, Broil (Hi & Low), Roast, Warm, Proof Dough, Convection Bake, Convection Broil, Convection Roast, Convection Multi-Rack, Convection Conversion, Temperature Probe, Fast Preheat, Sabbath | Air Fry, Pizza, Bake, Broil (Hi & Low), Roast, Warm, Proof Dough, Convection Bake, Convection Broil, Convection Roast, Convection Multi-Rack, Convection Conversion, Temperature Probe, Fast Preheat, Sabbath |
| Cleaning type | Self clean | Self clean |
| Telescopic rack | 1 | 1 |
| Illumination type | Halogen | Halogen |
| Interior lights | 2 | 2 |
| Oven Performance | | |
| Bake / broil element wattages | 2,400 / 3,800 W | 2,400 / 3,800 W |
| Convection element wattages | 2,000 W | 2,000 W |

| Technical Details | | |
|--------------------------|-------------------------------------|-------------------------------------|
| Watts | 6,400 W at 240 V / 4,800 W at 208 V | 6,400 W at 240 V / 4,800 W at 208 V |
| Circuit breaker | 30 A | 30 A |
| Volts | 240 / 208 V | 240 / 208 V |
| Frequency | 60 Hz | 60 Hz |
| Power cord length | 60" | 60" |
| Plug type | Fixed connection, no plug | Fixed connection, no plug |
| Energy source | Electric | Electric |

| Dimensions & Weight | | |
|--|-----------------------------------|-----------------------------------|
| Overall appliance dimensions (HxWxD) | 29" x 29 3/4" x 24 1/2" | 29" x 29 3/4" x 24 1/2" |
| Required cutout size – standard (HxWxD) | 27" – 28 5/8" x 28 1/2" x 23 1/2" | 27" – 28 5/8" x 28 1/2" x 23 1/2" |
| Required cutout size – flush (HxWxD) | 29 1/8" x 30" x 24 1/2" | 29 1/8" x 30" x 24 1/2" |
| Oven cavity size | 4.6 cu. ft. | 4.6 cu. ft. |
| Overall oven interior dimensions (HxWxD) | 17 13/16" x 24 1/8" x 18" | 17 13/16" x 24 1/8" x 18" |
| Usable oven interior dimensions (HxWxD) | 12 5/16" x 23 1/4" x 15 1/4" | 12 5/16" x 23 1/4" x 15 1/4" |
| Net weight | 159 lbs | 159 lbs |

| Accessories – Included | | |
|-------------------------------|---|---|
| Included | 1 Telescopic and 2 standard oven racks, temperature probe | 1 Telescopic and 2 standard oven racks, temperature probe |

*For under counter installation, standard cut-out height is 28 1/4"

Optional Accessories



HEZTR301
30" Telescopic Rack



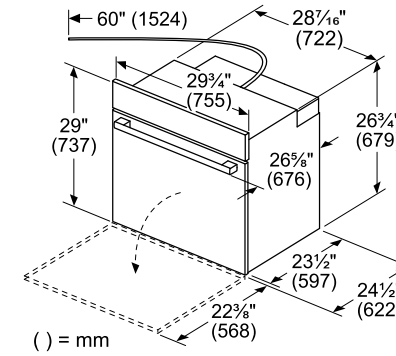
00798845
30" Flat Rack



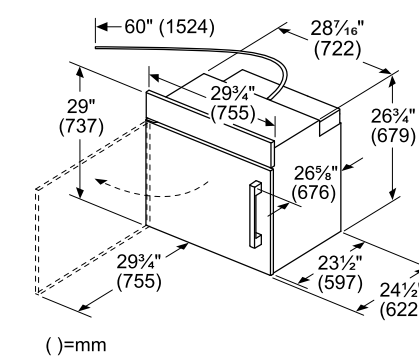
00449757
Broiler Pan

800 Series Single Ovens

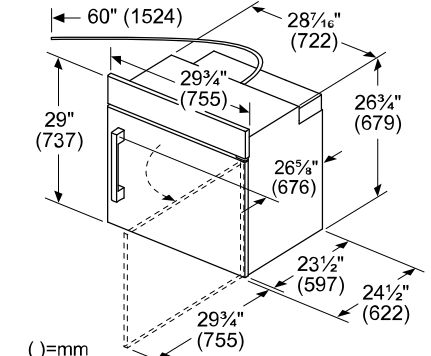
30" Single Wall Oven HBL8454UC



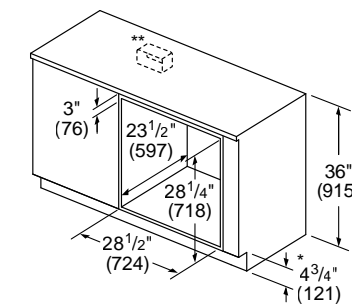
30" SideOpening Left Swing Door



30" SideOpening Right Swing Door



Under-Counter Installation

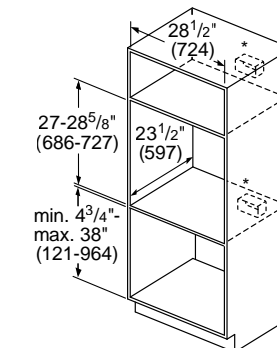


* Includes 3/4" (19) base plate

** For single ovens installed under a countertop, the junction box may be located to the left or right of the unit within reach of the power conduit.

measurements in inches (mm)

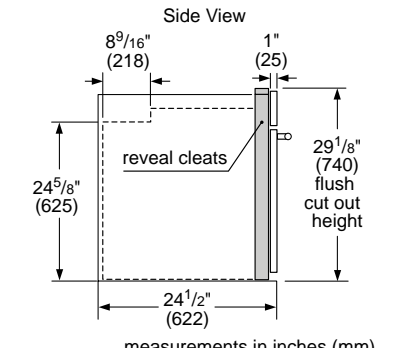
Wall-Mounted Installation



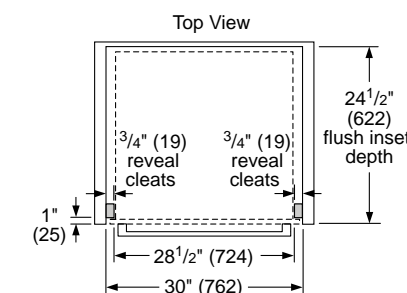
* For single ovens installed into a wall cabinet, the junction box may be located above or beneath the unit within reach of the power conduit.

measurements in inches (mm)

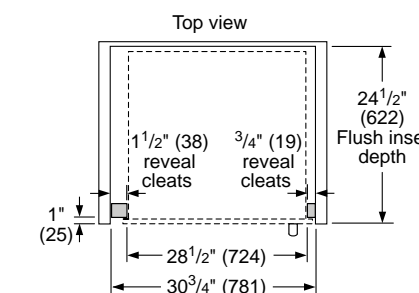
Single Wall Oven Flush Installation



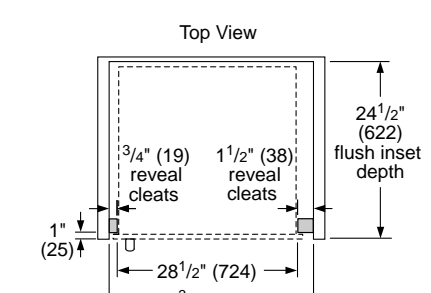
30" Single Wall Oven Flush Install



30" SideOpening Left Swing Door Flush Installation



30" SideOpening Right Swing Door Flush Installation



NOTE: Bosch single wall ovens can be installed in combination with other Bosch cooking products. See the guide on pages 86–101 for details.



800 / 500 Series Single Ovens



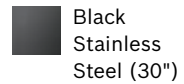
- 800 Series**
30" HBL8443UC
27" HBN8451UC (shown)
- 4.6 cu. ft. (27" is 3.9 cu. ft.)
 - + QuietClose® Door
 - + Fast Preheat™
 - + Convection Multi-Rack
 - + Telescopic Rack
 - + Temperature Probe
 - + Home Connect® (30")
- Home Connect



- 30" 500 Series**
HBL5451UC
- 4.6 cu. ft.
 - + Convection Multi-Rack
 - Stainless Steel Knobs



- 30" 500 Series**
HBL5351UC
HBL5344UC
- 4.6 cu. ft.
 - Thermal Cooking
 - Stainless Steel Knobs



| | 800 Series | 30" 500 Series | 30" 500 Series |
|-------------------------------|--|-----------------------------|--|
| + Indicates a step-up feature | 30" Black Stainless Steel – HBL8443UC 27" Stainless Steel – HBN8451UC | Stainless Steel – HBL5451UC | Stainless Steel – HBL5351UC Black Stainless Steel – HBL5344UC |

General Properties

| | | | |
|-------------------------------|---|--|---|
| Home Connect® (Wi-Fi enabled) | Yes (30" Only) | No | No |
| Oven modes | Bake, Variable Broil (Hi & Low), Roast, Warm, Sabbath, Proof Dough, Convection Bake, Convection Broil, Convection Roast, Pizza, Convection Multi-Rack, Convection Conversion, Temperature Probe, Fast Preheat | Bake, Variable Broil (Hi & Low), Roast, Warm, Sabbath, Proof Dough, Convection Bake, Convection Broil, Convection Roast, Pizza, Convection Multi-Rack, Convection Conversion | Bake, Variable Broil (Hi & Low), Roast, Warm, Sabbath |
| Cleaning type | Self clean | Self clean | Self clean |
| Telescopic rack | 1 | 0 | 0 |
| Illumination type | 30" Halogen / 27" Incandescent | Halogen | Halogen |
| Interior lights | 2 | 1 | 1 |

Oven Performance

| | | | |
|-------------------------------|-----------------|-----------------|-----------------|
| Bake / broil element wattages | 2,400 / 3,800 W | 2,400 / 3,800 W | 2,400 / 3,800 W |
| Convection element wattages | 2,000 W | 2,000 W | – |

Technical Details

| | | | |
|-------------------|---------------------------|---------------------------|--|
| Watts | 6,325 W | 6,400 W | HBL5351UC: 6,275 W HBL5344UC: 6,300W at 240V / 4,800W at 208V |
| Circuit breaker | 30 A | 30 A | 30 A |
| Volts | 240 / 208 V | 240 / 208 V | 240 / 208 V |
| Frequency | 60 Hz | 60 Hz | 60 Hz |
| Power cord length | 60" | 60" | 60" |
| Plug type | Fixed connection, no plug | Fixed connection, no plug | Fixed connection, no plug |
| Energy source | Electric | Electric | Electric |

Dimensions & Weight

| | | | |
|--|--|-----------------------------------|--|
| Overall appliance dimensions (HxWxD) | 30": 29" x 29 3/4" x 24 1/2" 27": 29" x 26 3/4" x 24 1/2" | 29" x 29 3/4" x 24 1/2" | 29" x 29 3/4" x 24 1/2" |
| Required cutout size – standard (HxWxD) | 30": 27" – 28 5/8" x 28 1/2" x 23 1/2" 27": 27" – 28 5/8" x 25 1/2" x 23 1/2" | 27" – 28 5/8" x 28 1/2" x 23 1/2" | 27" – 28 5/8" x 28 1/2" x 23 1/2" |
| Required cutout size – flush (HxWxD) | 30": 29 1/8" x 30" x 24 1/2" 27": 29 1/8" x 27" x 24 1/2" | 29 1/8" x 30" x 24 1/2" | 29 1/8" x 30" x 24 1/2" |
| Oven cavity size | 30": 4.6 cu. ft.; 27": 3.9 cu. ft. | 4.6 cu. ft. | 4.6 cu. ft. |
| Overall oven interior dimensions (HxWxD) | 30": 17 13/16" x 24 1/8" x 18" 27": 17 13/16" x 21 1/16" x 18" | 17 13/16" x 24 1/8" x 18" | 17 13/16" x 24 1/8" x 18" |
| Usable oven interior dimensions (HxWxD) | 30": 12 1/4" x 23 1/4" x 15 1/4" 27": 12 5/16" x 20 1/4" x 15 1/4" | 12 5/16" x 23 1/4" x 15 1/4" | 12 5/16" x 23 1/4" x 15 1/4" |
| Net weight | 30": 149 lbs; 27": 127 lbs | 149 lbs | HBL5351UC: 149 lbs HBL5344UC: 145 lbs |

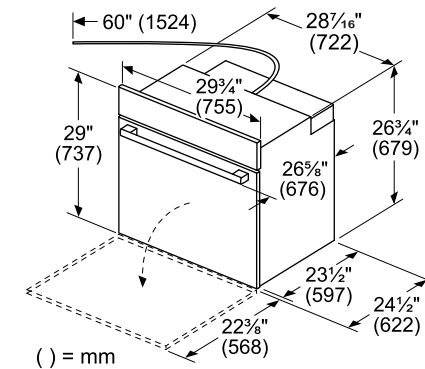
Accessories – Included

| | | | |
|----------|---|-----------------------|-----------------------|
| Included | 1 Telescopic and 2 standard oven racks, temperature probe | 2 Standard oven racks | 2 Standard oven racks |
|----------|---|-----------------------|-----------------------|

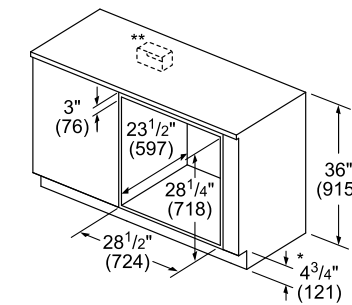
*For under counter installation, standard cut-out height is 28 1/4"

800 / 500 Series Single Ovens

30" Single Wall Oven

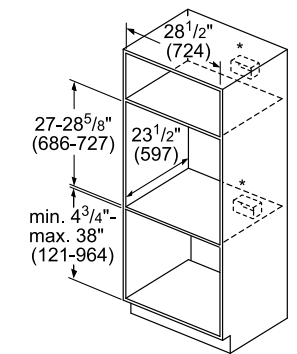


30" Single Oven Under-Counter Installation



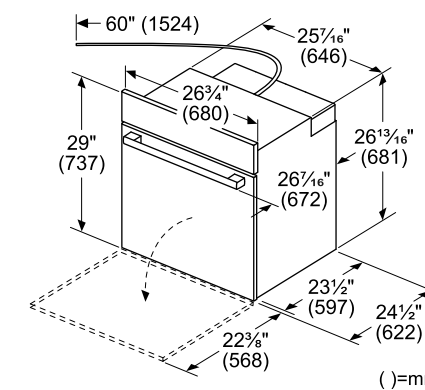
- * Includes 3/4" (19) base plate
- ** For single ovens installed under a countertop, the junction box may be located to the left or right of the unit within reach of the power conduit.

30" Single Oven Wall-Mounted Installation

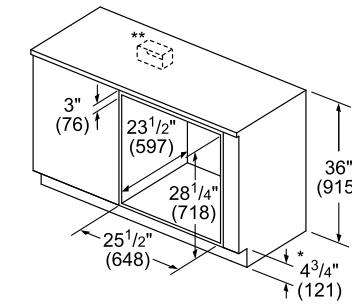


- * For single ovens installed into a wall cabinet, the junction box may be located above or beneath the unit within reach of the power conduit.
- measurements in inches (mm)

27" Single Wall Oven

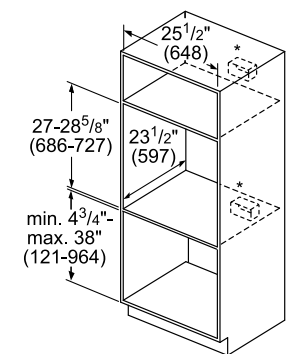


27" Single Oven Under-Counter Installation



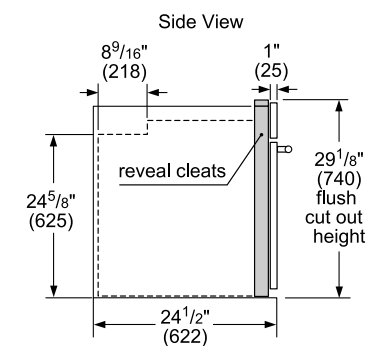
- * Includes 3/4" (19) base plate
- ** For single ovens installed under a countertop, the junction box may be located to the left or right of the unit within reach of the power conduit.

27" Single Oven Wall-Mounted Installation

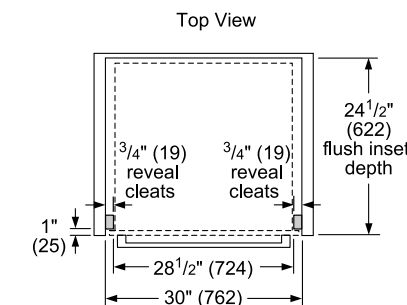


- * For single ovens installed into a wall cabinet, the junction box may be located above or beneath the unit within reach of the power conduit.
- measurements in inches (mm)

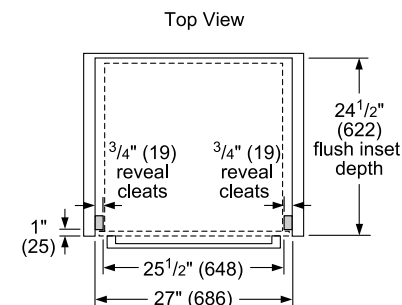
Single Wall Oven Flush Installation



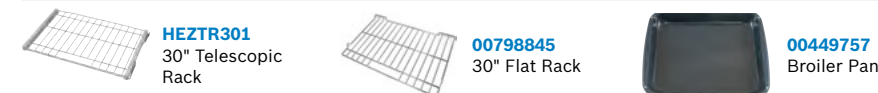
30" Single Wall Oven Flush Install



27" Single Wall Oven Flush Install



Optional Accessories for 30" Single Wall Ovens



NOTE: Bosch single wall ovens can be installed in combination with other Bosch cooking products. See pages 86–101 for details.



500 Series 24" Single Ovens



24" 500 Series HBE5453UC

- 2.8 cu. ft.
- Convection Multi-Rack
- Telescopic Rack
- DualClean® System

+ Indicates a step-up feature

24" 500 Series

Stainless Steel – HBE5453UC

General Properties

| | |
|-------------------------------|---|
| Home Connect® (Wi-Fi enabled) | No |
| Oven modes | Bake, Broil Plus, Convection Bake, Convection Broil, Convection Broil Plus, Convection Multi-Rack, Pie, Warm, Defrost, Frozen Foods |
| Cleaning type | DualClean® System (uses the cavity coating and heat to burn off most grease) |
| Telescopic rack | 1 |
| Illumination type | Halogen |
| Interior lights | 2 |

Oven Performance

| | |
|-------------------------------|-----------------|
| Bake / broil element wattages | 1,300 / 2,950 W |
| Convection element wattages | 1,700 W |

Technical Details

| | |
|-------------------|---------------------------|
| Watts | 3,100 W |
| Circuit breaker | 20 A |
| Volts | 240 / 208 V |
| Frequency | 60 Hz |
| Power cord length | 47 1/4" |
| Plug type | Fixed connection, no plug |
| Energy source | Electric |

Dimensions & Weight

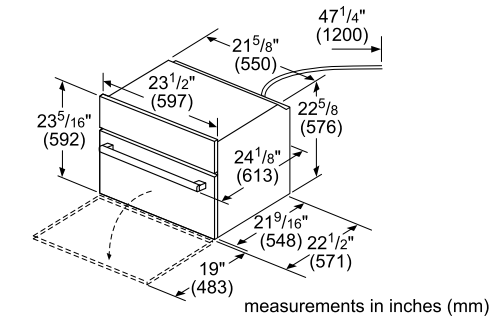
| | |
|--|---|
| Overall appliance dimensions (HxWxD) | 23 5/16" x 23 1/2" x 22 1/2" |
| Required cutout size – standard (HxWxD) | 22 15/16" – 23 1/16" x 21 15/16" x 22 1/16" |
| Required cutout size – flush (HxWxD) | 23 9/16" x 23 3/4" x 22 15/16" |
| Oven cavity size | 2.8 cu. ft. |
| Overall oven interior dimensions (HxWxD) | 15 5/16" x 18 1/4" x 17 5/8" |
| Usable oven interior dimensions (HxWxD) | 14" x 17 1/2" x 16 5/16" |
| Net weight | 87 lbs |

Accessories – Included

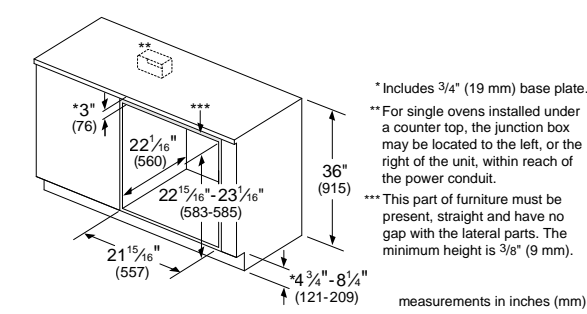
| | |
|----------|---|
| Included | 1 Standard rack, 1 telescopic extension rail, 1 enamel baking pan |
|----------|---|

500 Series 24" Single Ovens

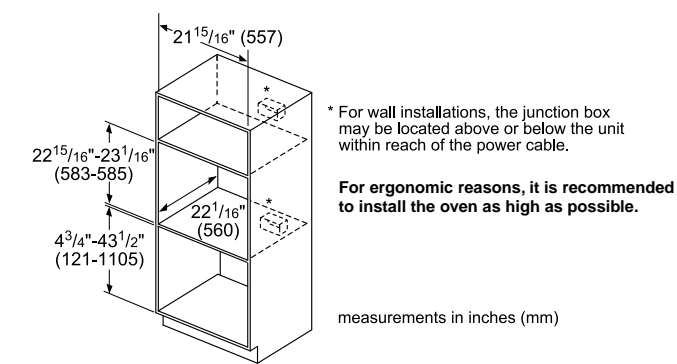
Product Dimensions



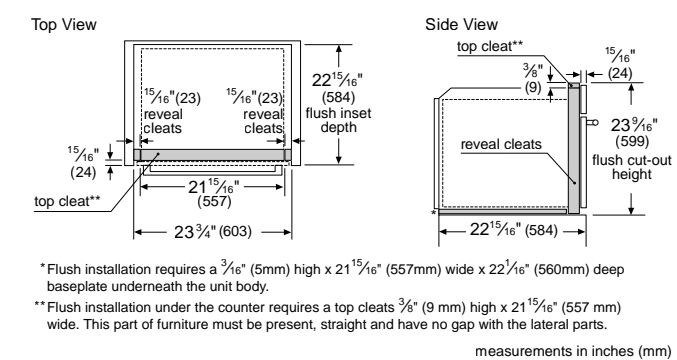
Under-Counter Installation



Wall-Mounted Installation



Flush Installation



Benchmark™ Series Speed & Steam Combination Ovens



**30" Benchmark™ Series
Speed Combination Oven
HBLP752UC**

- 240V Speed Oven (U)
- AutoProbe (L)
- Convection Multi-Rack (U&L)
- QuietClose® Door
- Telescopic Rack (L)



**30" Benchmark™ Series
Steam Convection Combination Oven
HSLP751UC**

- Steam Convection Oven (U)
- AutoProbe (L)
- Convection Multi-Rack (U&L)
- QuietClose® Door
- Telescopic Rack (L)

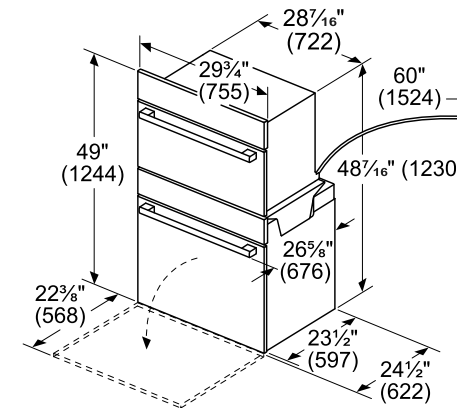
U=Upper; L=Lower

| | 30" Benchmark™ Series Stainless Steel – HBLP752UC | 30" Benchmark™ Series Stainless Steel – HSLP751UC |
|---|---|---|
| General Properties | | |
| Oven modes – upper oven | Speed oven; TFT display, 12 Auto Programs (Including Auto Defrost, Melt Butter, Soften Ice Cream, Pizza), 9 Sensor Cook Programs, 9 SpeedChef® Programs, Hi & Lo Broil, Convection Multi-Rack, Keep Warm, Frozen Foods | Steam, Steam Convection, Convection Multi-Rack, Reheat, Keep Warm, Defrost, Slow Cook, Proof, Dish Warming, 2 Chicken and 7 Vegetable Programs |
| Oven modes – lower oven | Bake, Variable Broil (Hi & Low), Roast, Warm, Sabbath, Proof Dough, Convection Bake, Convection Broil, Convection Roast, Pizza, Convection Multi-Rack, Convection Conversion, AutoProbe, Fast Preheat, EcoChef, Speed Convection (Frozen Foods) | Bake, Variable Broil (Hi & Low), Roast, Warm, Sabbath, Proof Dough, Convection Bake, Convection Broil, Convection Roast, Pizza, Convection Multi-Rack, Convection Conversion, AutoProbe, Fast Preheat, EcoChef, Speed Convection (Frozen Foods) |
| Cleaning type – lower oven | Self clean | Self clean |
| Telescopic rack | 1 | 1 |
| Illumination type | LED (upper) / Halogen (lower) | Halogen (upper and lower) |
| Interior lights – upper / lower oven | 1 / 2 | 1 / 2 |
| Oven Performance | | |
| Microwave power – upper oven | 1000 W | – |
| Bake / broil element wattages – upper oven | 600 / 1,750 W | 1,960 W* |
| Bake / broil element wattages – lower oven | 2,400 / 3,800 W | 2,400 / 3,800 W |
| Convection element wattages – upper oven / lower oven | 1,700 W / 2,000 W | 1,960 W / 2,000 W |
| Technical Details | | |
| Watts | 9,600 W | 8,325 W |
| Circuit breaker | 40 A | 40 A |
| Volts; Frequency | 240 / 208 V; 60 Hz | 240 / 208 V; 60 Hz |
| Power cord length | 60" | 60" |
| Plug type | Fixed connection, no plug | Fixed connection, no plug |
| Energy source | Electric | Electric |
| Installation type | – | Non-plumbed |
| Dimensions & Weight | | |
| Overall appliance dimensions (HxWxD) | 49" x 29 3/4" x 24 1/2" | 49" x 29 3/4" x 24 1/2" |
| Required cutout size – standard (HxWxD) | 48 5/8" x 28 1/2" x 23 1/2" | 48 5/8" x 28 1/2" x 23 1/2" |
| Required cutout size – flush (HxWxD) | 49 1/8" x 30" x 24 1/2" | 49 1/8" x 30" x 24 1/2" |
| Oven cavity size – upper / lower oven | 1.6 / 4.6 cu. ft. | 1.6 / 4.6 cu. ft. |
| Overall lower oven interior dimensions (HxWxD) | 17 13/16" x 24 1/8" x 18" | 17 13/16" x 24 1/8" x 18" |
| Usable lower oven interior dimensions (HxWxD) | 12 5/16" x 23 1/4" x 15 1/4" | 12 5/16" x 23 1/4" x 15 1/4" |
| Net weight | 259 lbs | 219 lbs |

*Element below water reservoir that generates steam

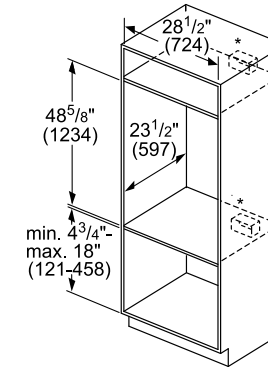
Benchmark™ Series Speed & Steam Combination Ovens

Product Dimensions



() = mm

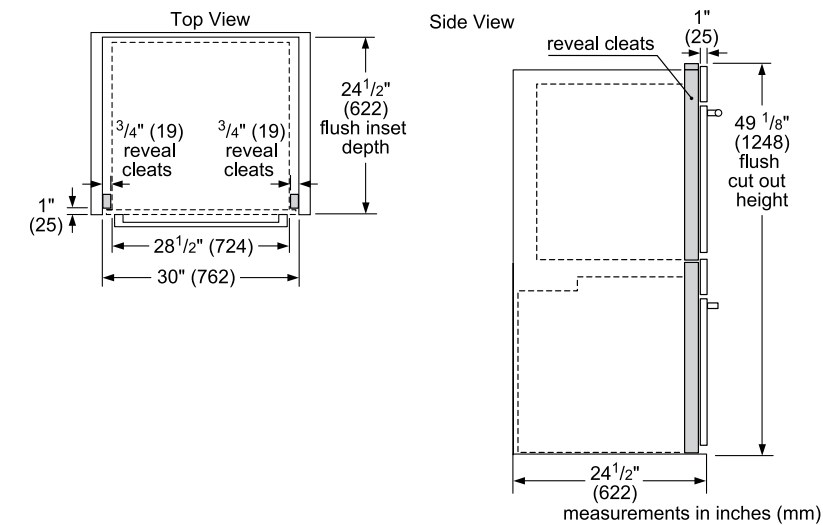
Cutout Dimensions



* Junction box may be installed above, below, or to the left or right of the unit within reach of the power cable

measurements in inches (mm)

Flush Installation



NOTE: Bosch combination wall ovens can be installed in combination with other Bosch cooking products. See page 91 for details.

30" Speed Combination

Stainless Steel – HBLP752UC

30" Steam Convection Combination

Stainless Steel – HSLP751UC

Accessories – Included

| Included | 30" Speed Combination | 30" Steam Convection Combination |
|----------|--|---|
| | Upper oven: metal turntable, square rack, ceramic cooking tray; Lower oven: 1 telescopic and 2 standard oven racks, temperature probe, broiler pan | Upper oven: wire rack, perforated cooking pan – full size, baking tray, perforated cooking pan – half size, cooking pan – half size; Lower oven: 1 telescopic and 2 standard oven racks, temperature probe, broiler pan |

Optional Accessories for Lower Oven



HEZTR301 30" Telescopic Rack
00798845 30" Flat Rack
00449757 Broiler Pan

Optional Accessories for Steam Convection Combination Oven



11027159 Cooking Pan – full size, 1 5/8" deep [not included with product]
00664949 Baking Tray – full size, 1 1/8" deep
00577553 Perforated Cooking Pan – half size, 1 5/8" deep
00577552 Cooking Pan – half size, 1 5/8" deep



800 Series Combination Ovens

30" 800 Series HBL8753UC HBL8743UC

- 240V Speed Oven (U)
- 4.6 cu. ft. (L)
- + 12 Auto Programs (U)
- + Telescopic Rack (L)
- + Convection Multi-Rack (U&L)
- Home Connect® (L)

Black
Stainless
Steel

Home Connect

30" 800 Series HBL87M53UC

- 120V Microwave Oven (U)
- 4.6 cu. ft. (L)
- QuietClose® Door (L)
- Telescopic Rack (L)
- Convection Multi-Rack (L)
- Temperature Probe (L)
- Home Connect® (L)

Home Connect

+ Indicates a step-up feature
U=Upper; L=Lower

| 30" 800 Series | 30" 800 Series |
|--|------------------------------|
| Stainless Steel – HBL8753UC Black Stainless Steel – HBL8743UC | Stainless Steel – HBL87M53UC |

General Properties

| | 30" 800 Series | 30" 800 Series |
|--------------------------------------|---|---|
| Home Connect® (Wi-Fi enabled) | Yes | Yes (lower) |
| Oven modes – upper oven | Speed Oven; 12 Auto Programs (Including Auto Defrost, Melt Butter, Soften Ice Cream, Pizza), 9 Sensor Cook Programs, 9 SpeedChef® Programs, Hi & Lo Broil, Convection Multi-Rack, Keep Warm, Frozen Foods | Microwave; 10 Sensor Cooking Programs (Including Baked Potato, Sweet Potato, Fresh Vegetable, Frozen Vegetable, Ground Meat, Fish/Seafood, Brown Rice, White Rice, Frozen Entrées, Reheat), Popcorn, Beverage, Melt/Soften, Defrost |
| Oven modes – lower oven | Bake, Variable Broil (Hi & Low), Roast, Warm, Sabbath, Proof Dough, Convection Bake, Convection Broil, Convection Roast, Pizza, Convection Multi-Rack, Convection Conversion, Temperature Probe, Fast Preheat | Bake, Variable Broil (Hi & Low), Roast, Warm, Sabbath, Proof Dough, Convection Bake, Convection Broil, Convection Roast, Pizza, Convection Multi-Rack, Convection Conversion, Temperature Probe, Fast Preheat |
| Cleaning type – lower oven | Self clean | Self clean |
| Telescopic rack | 1 | 1 |
| Illumination type | LED (upper) / Halogen (lower) | LED (upper) / Halogen (lower) |
| Interior lights – upper / lower oven | 1 / 2 | 1 / 2 |

Oven Performance

| | | |
|---------------------------------------|-----------------|-----------------|
| Microwave power – upper oven | 1000 W | 950 W |
| Bake / broil element wattages – upper | 600 / 1,750 W | – |
| Convection element wattages – upper | 1,700 W | – |
| Bake / broil element wattages – lower | 2,400 / 3,800 W | 2,400 / 3,800 W |
| Convection element wattages – lower | 2,000 W | 2,000 W |

Technical Details

| | | |
|-----------------------------------|---------------------------|---------------------------|
| Watts | 9,600 W | 9,600 W |
| Circuit breaker; Volts; Frequency | 40 A; 240 / 208 V; 60 Hz | 40 A; 240 / 208 V; 60 Hz |
| Power cord length | 60" | 60" |
| Plug type | Fixed connection, no plug | Fixed connection, no plug |
| Energy source | Electric | Electric |

Dimensions & Weight

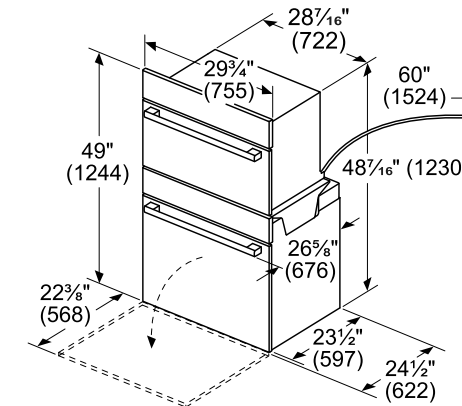
| | | |
|---|-----------------------------|-----------------------------|
| Overall appliance dimensions (HxWxD) | 49" x 29 3/4" x 24 1/2" | 49" x 29 3/4" x 24 1/2" |
| Required cutout size – standard (HxWxD) | 48 5/8" x 28 1/2" x 23 1/2" | 48 5/8" x 28 1/2" x 23 1/2" |
| Required cutout size – flush (HxWxD) | 49 1/8" x 30" x 24 1/2" | 49 1/8" x 30" x 24 1/2" |
| Oven cavity size – upper / lower oven | 1.6 / 4.6 cu. ft. | 1.6 / 4.6 cu. ft. |
| Overall upper oven interior (HxWxD) | 9 7/8" x 16 1/2" x 16 1/2" | 9 7/8" x 16 1/2" x 16 1/2" |
| Overall lower oven interior (HxWxD) | 17 13/16" x 24 1/8" x 18" | 17 13/16" x 24 1/8" x 18" |
| Usable lower oven interior (HxWxD) | 12 1/4" x 23 1/4" x 15 1/4" | 12 1/4" x 23 1/4" x 15 1/4" |
| Net weight | 259 lbs | 259 lbs |

Accessories – Included

| | | |
|----------|--|--|
| Included | Upper oven: metal turntable, square rack, ceramic cooking tray; Lower oven: 1 telescopic and 2 standard oven racks, temperature probe | Upper Oven: glass turntable Lower Oven: 1 telescopic and 2 standard oven racks, temperature probe |
|----------|--|--|

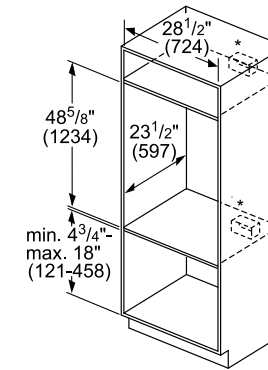
800 Series Combination Ovens

Product Dimensions



() = mm

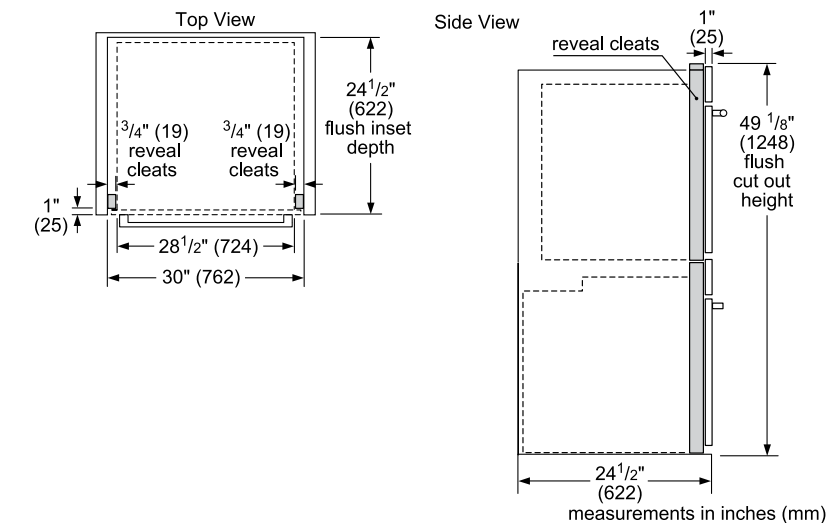
Cutout Dimensions



* Junction box may be installed above, below, or to the left or right of the unit within reach of the power cable

measurements in inches (mm)

Flush Installation



NOTE: Bosch combination wall ovens can be installed in combination with other Bosch cooking products. See page 96 for details.

Optional Accessories for Lower Oven



500 Series Combination Ovens



30" 500 Series
HBL5754UC

- 240V Speed Oven (U)
- 4.6 cu. ft. (L)
- +12 Auto Programs (U)
- +1000 W Microwave (U)
- Convection Multi-Rack (L)



30" 500 Series
HBL57M52UC

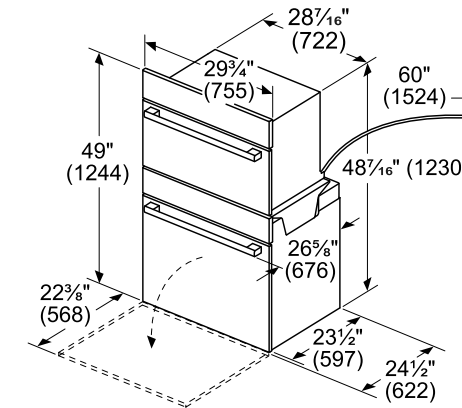
- 120V Microwave Oven (U)
- 4.6 cu. ft. (L)
- Convection Multi-Rack (L)
- Stainless Steel Knobs (L)

+ Indicates a step-up feature
U=Upper; L=Lower

| | 30" 500 Series Stainless Steel – HBL5754UC | 30" 500 Series Stainless Steel – HBL57M52UC |
|--|---|--|
| General Properties | | |
| Oven modes – upper oven | Speed Oven; 12 Auto Programs (including Auto Defrost, Melt Butter, Soften Ice Cream, Pizza), 10 Sensor Cook Programs, 9 SpeedChef® Programs, Keep Warm, Frozen Foods Defrost, Convection Broil (fan + broil), Convection Bake | Microwave; 10 Sensor Cooking Programs (Including Baked Potato, Sweet Potato, Fresh Vegetable, Frozen Vegetable, Ground Meat, Fish/Seafood, Brown Rice, White Rice, Frozen Entrées, Reheat), Popcorn, Beverage, Melt/Softens, Defrost |
| Oven modes – lower oven | Bake, Broil (Hi & Low), Roast, Warm, Proof Dough, Convection Bake, Convection Broil, Convection Roast, Pizza, Convection Multi-Rack, Convection Conversion, Sabbath | Bake, Variable Broil (Hi & Low), Roast, Warm, Sabbath, Proof Dough, Convection Bake, Convection Broil, Convection Roast, Pizza, Convection Multi-Rack, Convection Conversion |
| Cleaning type – lower oven | Self clean | Self clean |
| Telescopic rack | 1 | 0 |
| Illumination type | LED (upper) / Halogen (lower) | LED (upper) / Halogen (lower) |
| Interior lights – upper / lower oven | 1 / 2 | 1 / 1 |
| Oven Performance | | |
| Max. microwave power – upper oven | 1000 W | 950 W |
| Microwave power levels | 10 | 10 |
| Bake / broil element wattages – upper | 600 / 1,750 W | – |
| Convection element wattages – upper | 1,700 W | – |
| Bake / broil element wattages – lower | 2,400 / 3,800 W | 2,400 / 3,800 W |
| Convection element wattages – lower | 2,000 W | 2,000 W |
| Technical Details | | |
| Watts | 9,600 W at 240 V / 8,400 at 208 V | 9,600 W |
| Circuit breaker; Volts; Frequency | 40 A; 240 / 208 V; 60 Hz | 40 A; 240 / 208 V; 60 Hz |
| Power cord length | 60" | 60" |
| Plug type | Fixed connection, no plug | Fixed connection, no plug |
| Energy source | Electric | Electric |
| Dimensions & Weight | | |
| Overall appliance dimensions (HxWxD) | 49" x 29 3/4" x 24 1/2" | 49" x 29 3/4" x 24 1/2" |
| Required cutout size – standard (HxWxD) | 48 5/8" x 28 1/2" x 23 1/2" | 48 5/8" x 28 1/2" x 23 1/2" |
| Required cutout size – flush (HxWxD) | 49 1/8" x 30" x 24 1/2" | 49 1/8" x 30" x 24 1/2" |
| Oven cavity size – upper / lower oven | 1.6 / 4.6 cu. ft. | 1.6 / 4.6 cu. ft. |
| Overall upper oven interior (HxWxD) | 9 7/8" x 16 1/2" x 16 1/2" | 9 7/8" x 16 1/2" x 16 1/2" |
| Turntable – glass max. cookware – upper | – | 14 1/8" dia. |
| Turntable – metal max. cookware – upper | 12 3/4" dia. | – |
| Turntable – ceramic tray max. – upper | 12 1/2" dia. | – |
| Rack – rectangular max. cookware – upper | 15" x 12" | – |
| Overall lower oven interior (HxWxD) | 17 13/16" x 24 1/8" x 18" | 17 13/16" x 24 1/8" x 18" |
| Usable lower oven interior (HxWxD) | 12 5/16" x 23 1/4" x 15 1/4" | 12 5/16" x 23 1/4" x 15 1/4" |
| Net weight | 272 lbs | 259 lbs |
| Accessories – Included | | |
| Included | Upper Oven: metal turntable, square rack, ceramic cooking tray; Lower Oven: 2 standard oven racks | Upper oven: glass turntable Lower oven: 3 standard oven racks |

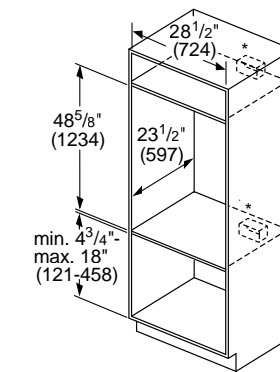
500 Series Combination Ovens

Product Dimensions



() = mm

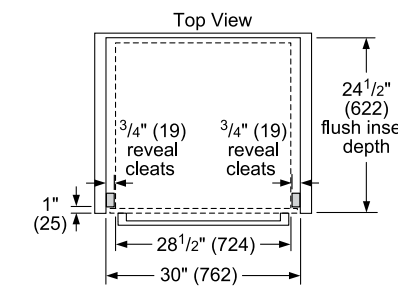
Cutout Dimensions



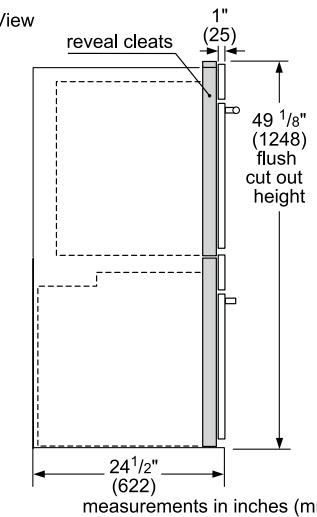
* Junction box may be installed above, below, or to the left or right of the unit within range of the power conduit.

measurements in inches (mm)

Flush Installation



Side View



measurements in inches (mm)

NOTE: Bosch combination wall ovens can be installed in combination with other Bosch cooking products. See page 96 for details.

Optional Accessories for Lower Oven



HEZTR301
30" Telescopic Rack



00798845
30" Flat Rack



00449757
Broiler Pan



Benchmark™ Series Double Ovens



Standard Opening Door
HBLP651UC



SideOpening Left Swing Door
HBLP651LUC



SideOpening Right Swing Door
HBLP651RUC

30" Benchmark™ Series Double Ovens

- Convection Multi-Rack (U&L)
- AutoProbe (U), Temperature Probe (L)
- QuietClose® Door
- Telescopic Rack (U)
- Fast Preheat
- EcoChef

U=Upper; L=Lower

30" Benchmark™ Series

Standard Opening Stainless Steel – HBLP651UC
SideOpening Left Swing Stainless Steel – HBLP651LUC
SideOpening Right Swing Stainless Steel – HBLP651RUC

General Properties

| | |
|--|---|
| Oven modes – upper oven | Bake, Variable Broil (Hi & Low), Roast, Warm, Sabbath, Proof Dough, Convection Bake, Convection Broil, Convection Roast, Pizza, Convection Multi-Rack, Convection Conversion, AutoProbe, Fast Preheat, EcoChef, Speed Convection (Frozen Foods) |
| Oven modes – lower oven | Identical to upper oven (exception: lower oven does not feature temperature probe and EcoChef) |
| Cleaning type – upper oven | Self clean |
| Cleaning type – lower oven | Self clean |
| Telescopic rack | 1 |
| Illumination type – upper / lower oven | Halogen |
| Interior lights | 2 upper, 2 lower |

Oven Performance

| | |
|--|-----------------|
| Bake / broil element wattages – upper oven | 2,400 / 3,800 W |
| Convection element wattages – upper oven | 2,000 W |
| Bake / broil element wattages – lower oven | 2,400 / 3,800 W |
| Convection element wattages – lower oven | 2,000 W |

Technical Details

| | |
|-------------------|---------------------------|
| Watts | 9,125 W |
| Circuit breaker | 40 A |
| Volts | 240 / 208 V |
| Frequency | 60 Hz |
| Power cord length | 60" |
| Plug type | Fixed connection, no plug |
| Energy source | Electric |

Dimensions & Weight

| | |
|--|---------------------------------------|
| Overall appliance dimensions (HxWxD) | 52 1/16" x 29 3/4" x 24 1/2" |
| Required cutout size – standard (HxWxD) | 49 3/4" – 51 1/2" x 28 1/2" x 23 1/2" |
| Required cutout size – flush (HxWxD) | 52 3/16" x 30" x 24 1/2" |
| Oven cavity size | 4.6 cu. ft. |
| Overall oven interior dimensions (HxWxD) | 17 13/16" x 24 1/8" x 18" |
| Usable oven interior dimensions (HxWxD) | 12 5/16" x 23 1/4" x 15 1/4" |
| Net weight | 261 lbs |

Accessories – Included

| | |
|----------|---|
| Included | Upper oven: 1 telescopic and 2 standard oven racks, temperature probe, broiler pan; Lower oven: 3 standard oven racks |
|----------|---|

Optional Accessories



HEZTR301
30" Telescopic Rack



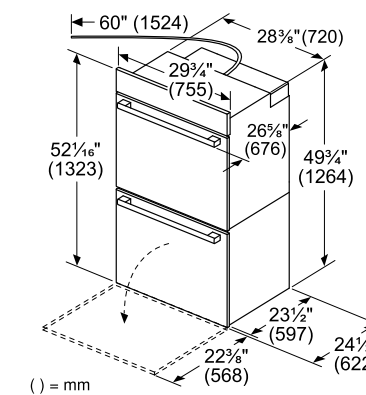
00798845
30" Flat Rack



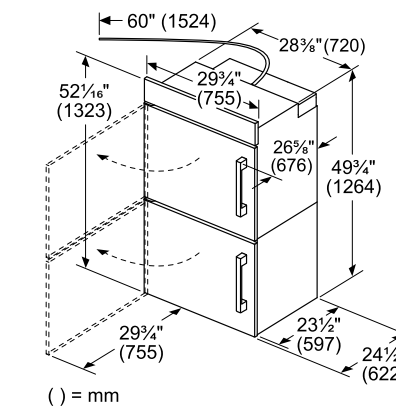
00449757
Broiler Pan

Benchmark™ Series Double Ovens

30" Double Wall Oven

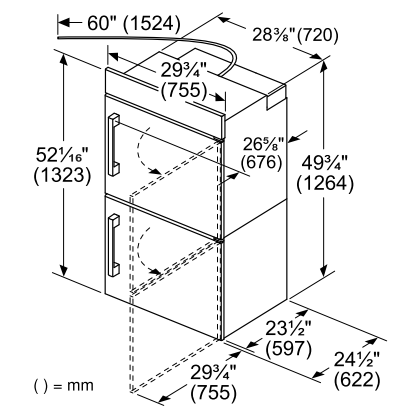


30" SideOpening Left Swing Door



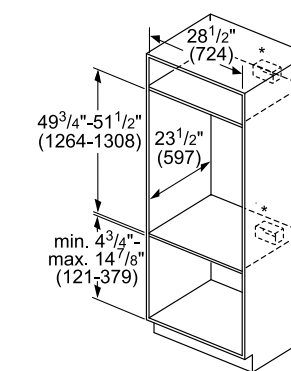
Allow 3/4" (19 mm) gap to nearest cabinet face for door swing on SideOpening models

30" SideOpening Right Swing Door

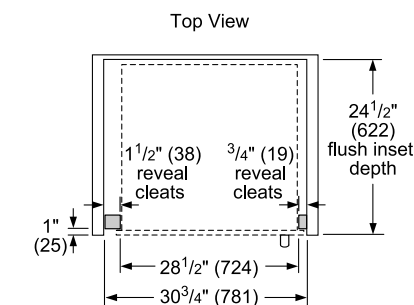


Allow 3/4" (19 mm) gap to nearest cabinet face for door swing on SideOpening models

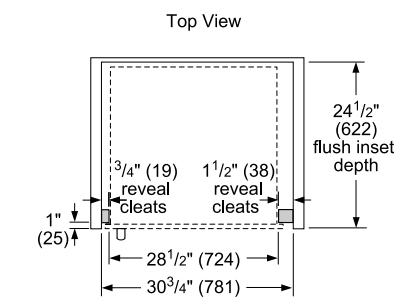
All 30" Double Wall Ovens



30" SideOpening Left Swing Door Flush Installation



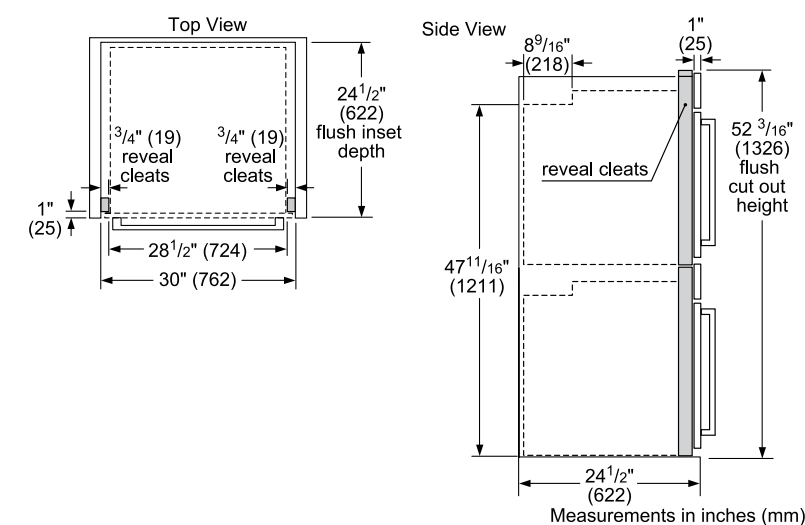
30" SideOpening Right Swing Door Flush Installation



* Junction box may be installed above, below, or to the left or right of the unit within range of the power conduit.

measurements in inches (mm)

30" Double Wall Oven Flush Installation



NOTE: Bosch double wall ovens can be installed in combination with other Bosch cooking products. See page 90 for details.



800 / 500 Series Double Ovens



800 Series
30" HBL8651UC
30" HBL8642UC
27" HBN8651UC

- 4.6 cu. ft. (27" is 3.9 cu. ft.)
- Convection Multi-Rack (U)
- Thermal Cooking (L)
- + QuietClose® Door (U&L)
- + Telescopic Rack (U)
- + Temperature Probe (U)

Black
 Stainless Steel

27"



30" 500 Series
HBL5651UC

- 4.6 cu. ft.
- + Convection Multi-Rack (U)
- Thermal Cooking (L)



30" 500 Series
HBL5551UC

- 4.6 cu. ft.
- Thermal Cooking (U&L)
- Flush Installation
- Stainless Steel Knobs

+ Indicates a step-up feature
 U=Upper; L=Lower

| 800 Series | 30" 500 Series | 30" 500 Series |
|---------------------------------------|-----------------------------|-----------------------------|
| 30" Stainless Steel – HBL8651UC | Stainless Steel – HBL5651UC | Stainless Steel – HBL5551UC |
| 30" Black Stainless Steel – HBL8642UC | | |
| 27" Stainless Steel – HBN8651UC | | |

General Properties

| | 800 Series | 30" 500 Series | 30" 500 Series |
|--|---|--|---|
| Oven modes – upper oven | Bake, Variable Broil (Hi & Low), Roast, Warm, Sabbath, Proof Dough, Convection Bake, Convection Broil, Convection Roast, Pizza, Convection Multi-Rack, Convection Conversion, Temperature Probe, Fast Preheat | Bake, Variable Broil (Hi & Low), Roast, Warm, Sabbath, Proof Dough, Convection Bake, Convection Broil, Convection Roast, Pizza, Convection Multi-Rack, Convection Conversion | Bake, Variable Broil (Hi & Low), Roast, Warm, Sabbath |
| Oven modes – lower oven | Bake, Variable Broil (Hi & Low), Roast, Warm, Sabbath | Bake, Variable Broil (Hi & Low), Roast, Warm, Sabbath | Bake, Variable Broil (Hi & Low), Roast, Warm, Sabbath |
| Cleaning type – upper & lower oven | Self clean | Self clean | Self clean |
| Telescopic rack | 1 | 0 | 0 |
| Illumination type – upper & lower oven | 30" Halogen / 27" Incandescent | Halogen | Halogen |
| Interior lights – upper oven | 2 | 1 | 1 |
| Interior lights – lower oven | 30": 1; 27": 2 | 1 | 1 |

Oven Performance

| | | | |
|--|-----------------|-----------------|-----------------|
| Bake / Broil element wattages – upper & lower oven | 2,400 / 3,800 W | 2,400 / 3,800 W | 2,400 / 3,800 W |
| Convection element wattages – upper oven | 2,000 W | 2,000 W | – |

Technical Details

| | | | |
|-----------------------------------|--------------------------------|--------------------------------|--------------------------------|
| Watts | 30": 8,495 W; 27": 8,535 W | 8,455 W | 7,805 W |
| Volts, Frequency, Circuit breaker | 240 / 208 V, 60 Hz, 40 A | 240 / 208 V, 60 Hz, 40 A | 240 / 208 V, 60 Hz, 40 A |
| Power cord length; Plug type | 60"; Fixed connection, no plug | 60"; Fixed connection, no plug | 60"; Fixed connection, no plug |
| Energy source | Electric | Electric | Electric |

Dimensions & Weight

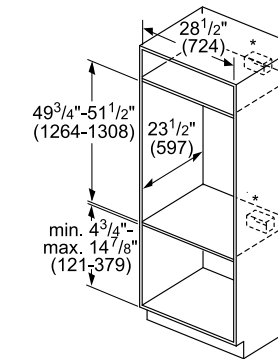
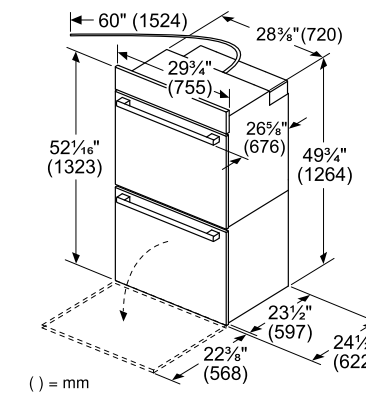
| | | | |
|--|--|-------------------------------------|---------------------------------------|
| Overall appliance dimensions (HxWxD) | 30": 52 1/16" x 29 3/4" x 24 1/2" 27": 52 1/16" x 26 3/4" x 24 1/2" | 52 1/16" x 29 3/4" x 24 1/2" | 52 1/16" x 29 3/4" x 24 1/2" |
| Required cutout size – standard (HxWxD) | 30": 49 3/4"-51 1/2" x 28 1/2" x 23 1/2" 27": 49 3/4"-51 1/2" x 25 1/2" x 23 1/2" | 49 3/4"-51 1/2" x 28 1/2" x 23 1/2" | 49 3/4" – 51 1/2" x 28 1/2" x 23 1/2" |
| Required cutout size – flush (HxWxD) | 30": 52 3/16" x 30" x 24 1/2" 27": 52 3/16" x 27" x 24 1/2" | 52 3/16" x 30" x 24 1/2" | 52 3/16" x 30" x 24 1/2" |
| Oven cavity size | 30": 4.6 cu. ft.; 27": 3.9 cu. ft. | 4.6 cu. ft. | 4.6 cu. ft. |
| Overall oven interior dimensions (HxWxD) | 30": 17 13/16" x 24 1/8" x 18" 27": 17 13/16" x 21 1/16" x 18" | 17 13/16" x 24 1/8" x 18" | 17 13/16" x 24 1/8" x 18" |
| Usable oven interior dimensions (HxWxD) | 30": 12 5/16" x 23 1/4" x 15 1/4" 27": 12 5/16" x 20 1/4" x 15 1/4" | 12 5/16" x 23 1/4" x 15 1/4" | 12 5/16" x 23 1/4" x 15 1/4" |
| Net weight | 30": 261 lbs; 27": 243 lbs | 261 lbs | 261 lbs |

Accessories – Included

| | | |
|---|--|--|
| Upper oven: 1 telescopic and 2 standard oven racks, temperature probe; Lower oven: 2 standard racks | Upper oven: 2 standard oven racks Lower oven: 2 standard oven racks | Upper oven: 2 standard oven racks Lower oven: 2 standard oven racks |
|---|--|--|

800 / 500 Series Double Ovens

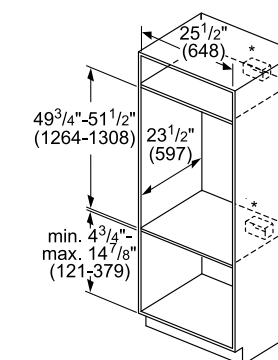
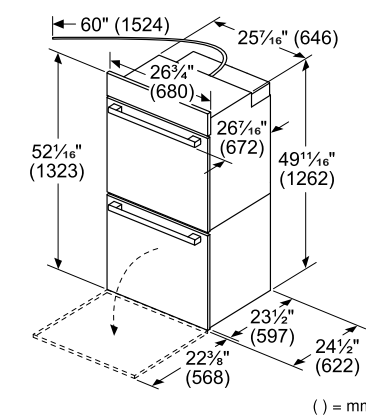
30" Double Wall Oven



* Junction box may be installed above, below, or to the left or right of the unit within range of the power conduit.

measurements in inches (mm)

27" Double Wall Oven

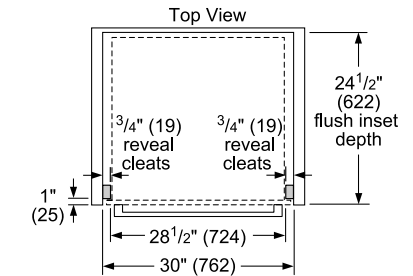


* Junction box may be installed above, below, or to the left or right of the unit within range of the power conduit.

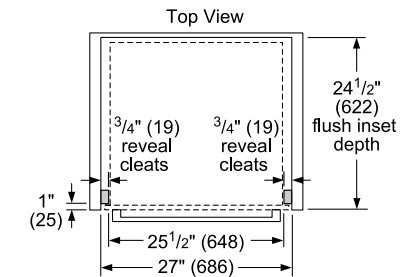
measurements in inches (mm)

NOTE: Bosch double wall ovens can be installed in combination with other Bosch cooking products. See page 96 for details.

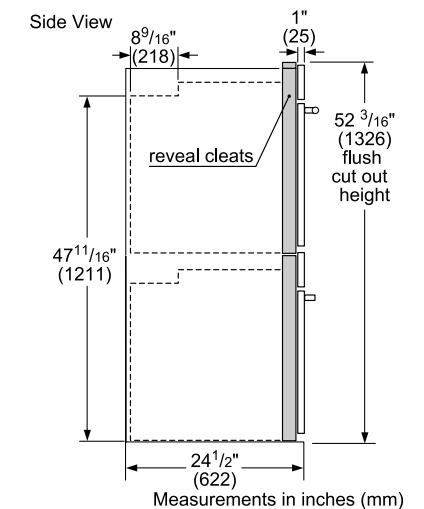
30" Double Wall Oven Flush Install



27" Single Wall Oven Flush Install



Double Wall Oven Flush Installation



Optional Accessories



HEZTR301
 30" Telescopic Rack



00798845
 30" Flat Rack



00449757
 Broiler Pan

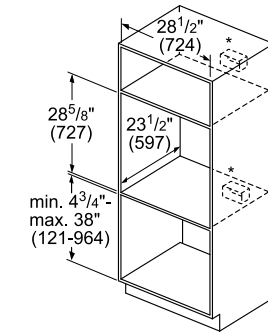


Guide to Installing Bosch Wall Ovens with Other Products



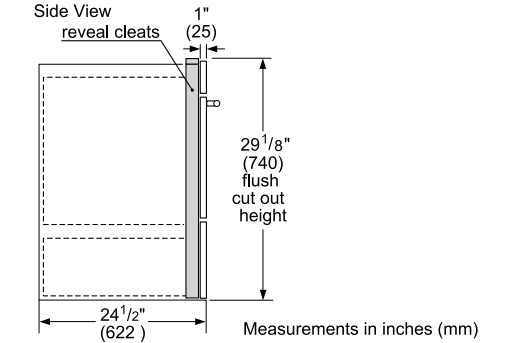
Benchmark™ Series Steam Convection Oven Installed in combination with other products.

Standard Installation 30" Steam Convection Oven over Warming Drawer

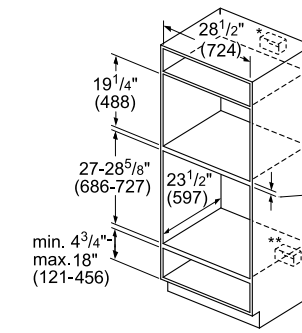


* For installation into a wall cabinet, the receptacle may be installed above, below, or to the left or right of the unit within range of the power cord.

Flush Installation Steam Convection Oven over Warming Drawer



Standard Installation 30" Steam Convection Oven over Single Oven***

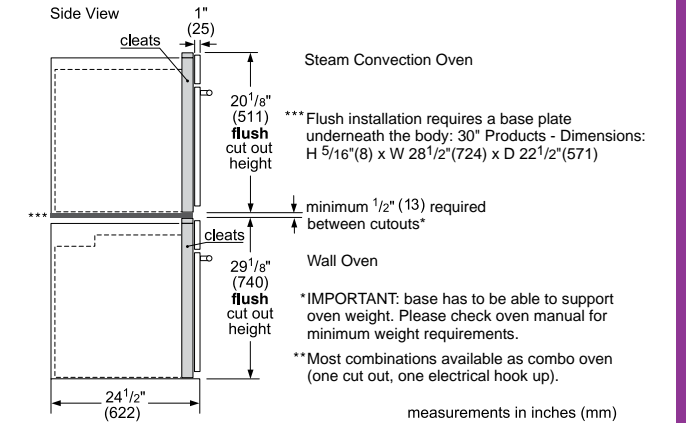


* Junction box may be located above or next to the unit within the reach of the power cord.
 ** Junction box may be located below (depending on space) or next to the unit within the reach of the power cord.
 *** Most combinations available as combo oven (one cut out, one electrical hook up).
 Minimum dimension between cut outs:
 • 1" (25mm) for wall oven cut out of 28 5/8"
 • 2 5/8" (67mm) for wall oven cut out of 27"

measurements in inches (mm)

NOTE: This configuration is available as a combo oven (one cut out, one electrical hook up) – HSLP751UC

Flush Installation Steam Convection Oven over Single Oven**



*** Flush installation requires a base plate underneath the body: 30" Products - Dimensions: H 5 1/16" (8) x W 28 1/2" (724) x D 22 1/2" (571)
 minimum 1/2" (13) required between cutouts*
 *IMPORTANT: base has to be able to support oven weight. Please check oven manual for minimum weight requirements.
 ** Most combinations available as combo oven (one cut out, one electrical hook up).

measurements in inches (mm)

NOTE: This configuration available as a combo oven. See Note at left for details.

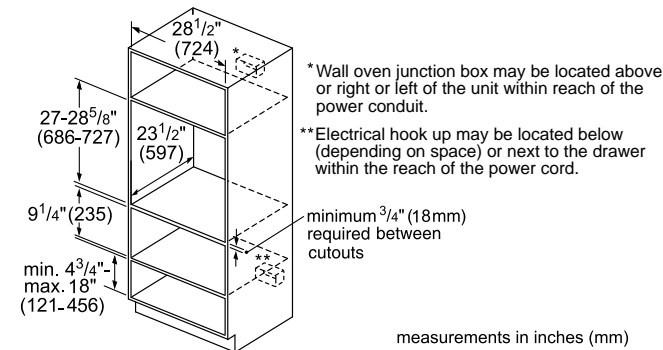


Benchmark™ Series Single Wall Ovens

Installed in combination with other products.

Standard Installation

30" Single Oven over Warming Drawer

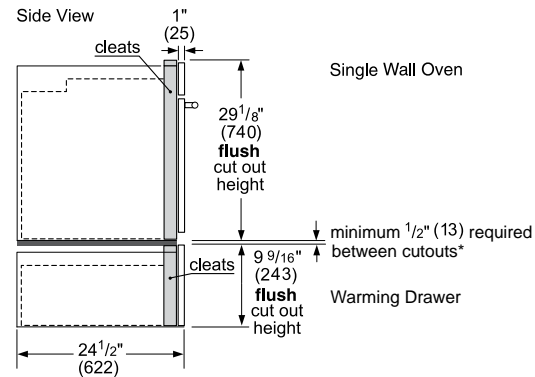


*Wall oven junction box may be located above or right or left of the unit within reach of the power conduit.
 **Electrical hook up may be located below (depending on space) or next to the drawer within the reach of the power cord.

minimum 3/4" (18mm) required between cutouts

Flush Installation

Single Oven over Warming Drawer

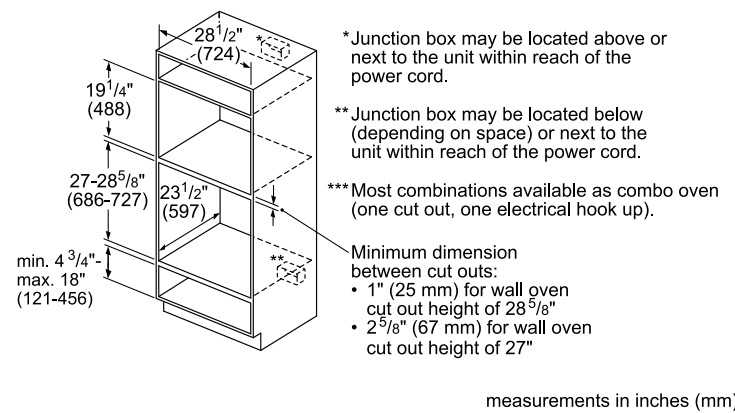


*IMPORTANT: base has to be able to support oven weight. Please check oven manual for minimum weight requirements.

measurements in inches (mm)

Standard Installation

30" Speed Oven or Microwave over Single Oven***



*Junction box may be located above or next to the unit within reach of the power cord.

** Junction box may be located below (depending on space) or next to the unit within reach of the power cord.

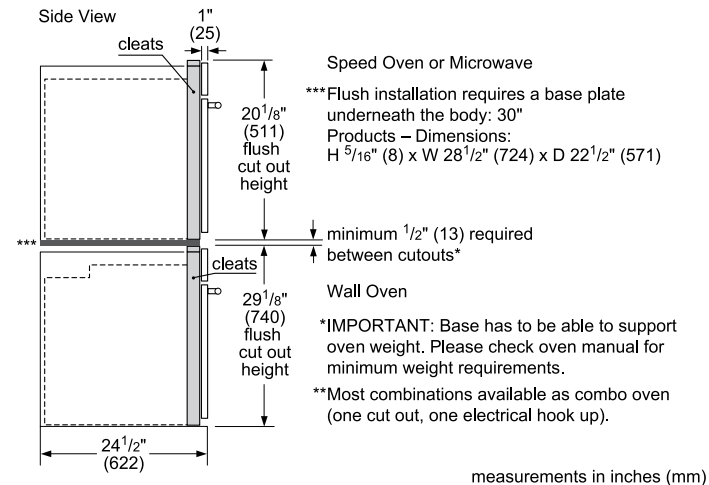
***Most combinations available as combo oven (one cut out, one electrical hook up).

Minimum dimension between cut outs:
 • 1" (25 mm) for wall oven cut out height of 28 5/8"
 • 2 5/8" (67 mm) for wall oven cut out height of 27"

NOTE: This configuration is available as a combo oven (one cut out, one electrical hook up) – HBLP752UC

Flush Installation

Speed Oven or Microwave over 30" Single Oven**



***Flush installation requires a base plate underneath the body: 30" Products – Dimensions: H 5 1/16" (8) x W 28 1/2" (724) x D 22 1/2" (571)

minimum 1/2" (13) required between cutouts*

Wall Oven

*IMPORTANT: Base has to be able to support oven weight. Please check oven manual for minimum weight requirements.

**Most combinations available as combo oven (one cut out, one electrical hook up).

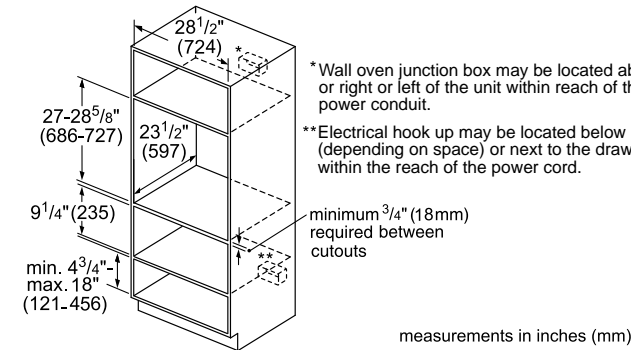
NOTE: This configuration available as a combo oven. See Note above.

Benchmark™ Series Single Wall Ovens SideOpening Door

Installed in combination with other products.

Standard Installation

30" Single Oven over Warming Drawer

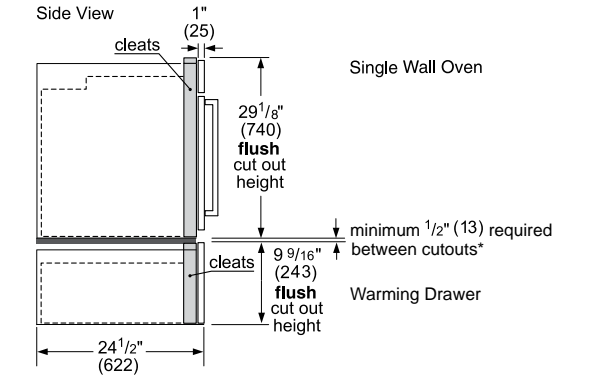


*Wall oven junction box may be located above or right or left of the unit within reach of the power conduit.
 **Electrical hook up may be located below (depending on space) or next to the drawer within the reach of the power cord.

minimum 3/4" (18mm) required between cutouts

Flush Installation

Single Oven over Warming Drawer

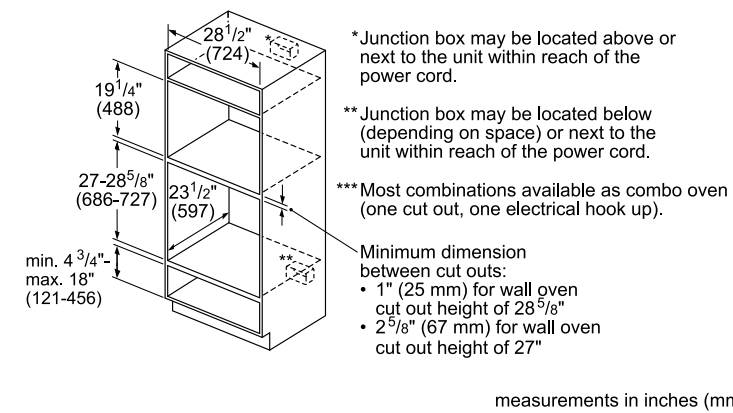


*IMPORTANT: base has to be able to support oven weight. Please check oven manual for minimum weight requirements.

measurements in inches (mm)

Standard Installation

30" Speed Oven or Microwave over Single Oven***



*Junction box may be located above or next to the unit within reach of the power cord.

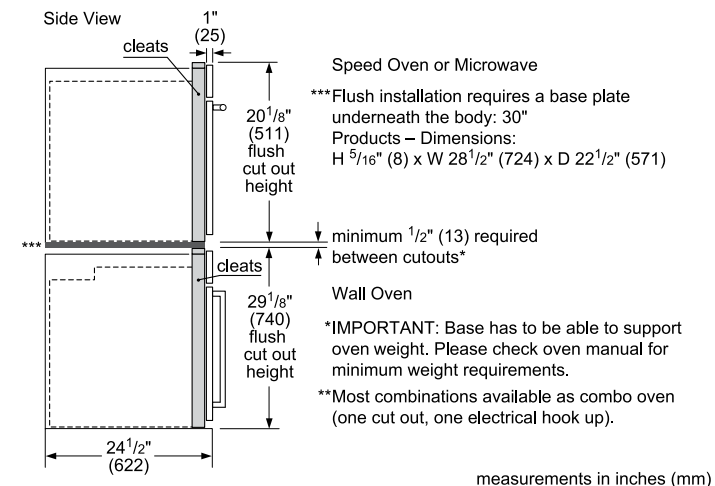
** Junction box may be located below (depending on space) or next to the unit within reach of the power cord.

***Most combinations available as combo oven (one cut out, one electrical hook up).

Minimum dimension between cut outs:
 • 1" (25 mm) for wall oven cut out height of 28 5/8"
 • 2 5/8" (67 mm) for wall oven cut out height of 27"

Flush Installation

Speed Oven or Microwave over 30" Single Oven**



Speed Oven or Microwave

***Flush installation requires a base plate underneath the body: 30" Products – Dimensions: H 5 1/16" (8) x W 28 1/2" (724) x D 22 1/2" (571)

minimum 1/2" (13) required between cutouts*

Wall Oven

*IMPORTANT: Base has to be able to support oven weight. Please check oven manual for minimum weight requirements.

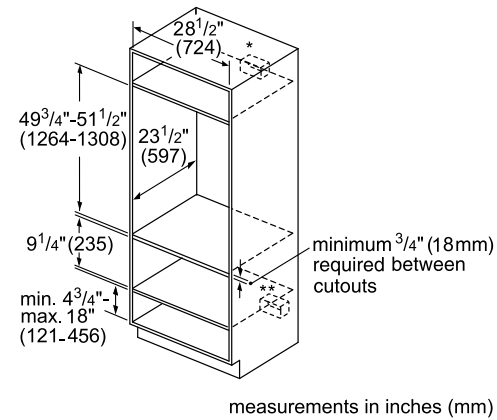
**Most combinations available as combo oven (one cut out, one electrical hook up).



Benchmark™ Series Double Wall Ovens

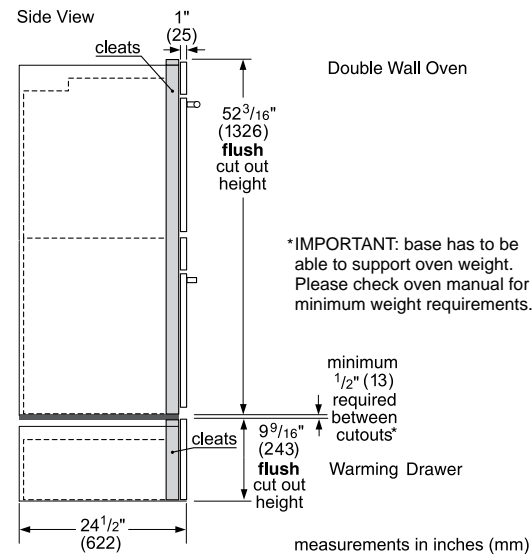
Installed in combination with other products.

Standard Installation 30" Double Oven over Warming Drawer



*Wall oven junction box may be located above or right or left of the unit within reach of the power conduit.
**Electrical hook up may be located below (depending on space) or next to the drawer within the reach of the power cord.

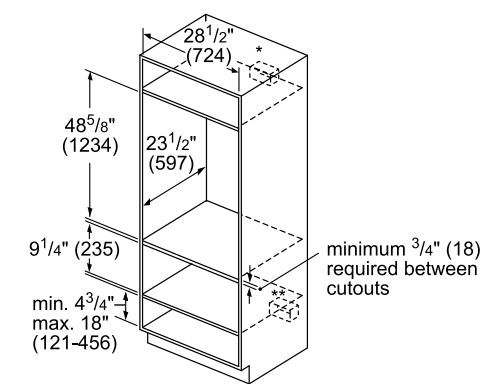
Flush Installation Double Oven over Warming Drawer



Benchmark™ Series Combination Ovens

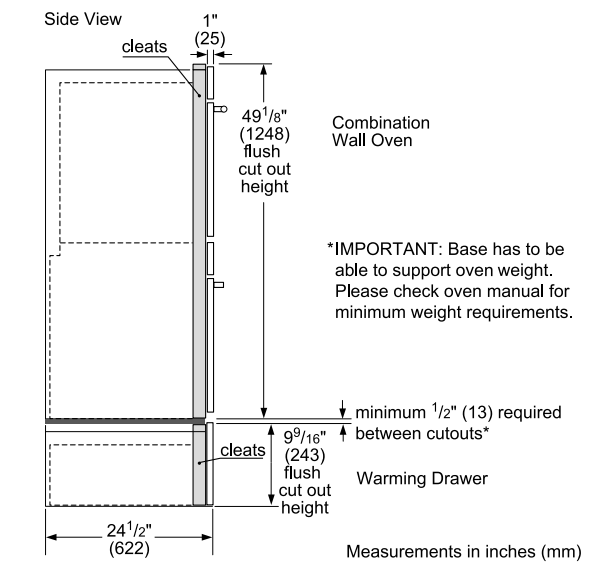
Installed in combination with other products.

Standard Installation Combination Oven over Warming Drawer



*Wall oven junction box may be located above or right or left of the unit within reach of the power conduit.
**Electrical hook up may be located below (depending on space) or next to the drawer within the reach of the power cord.

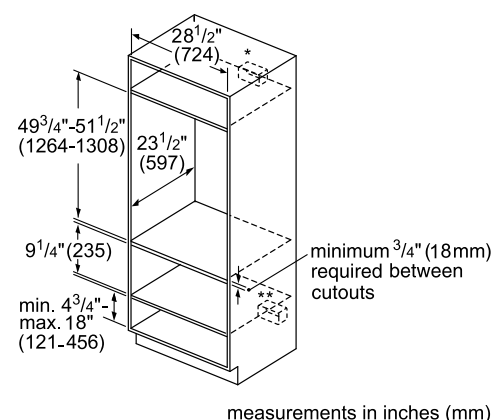
Flush Installation Combination Oven over Warming Drawer



Benchmark™ Series Double Wall Ovens SideOpening Door

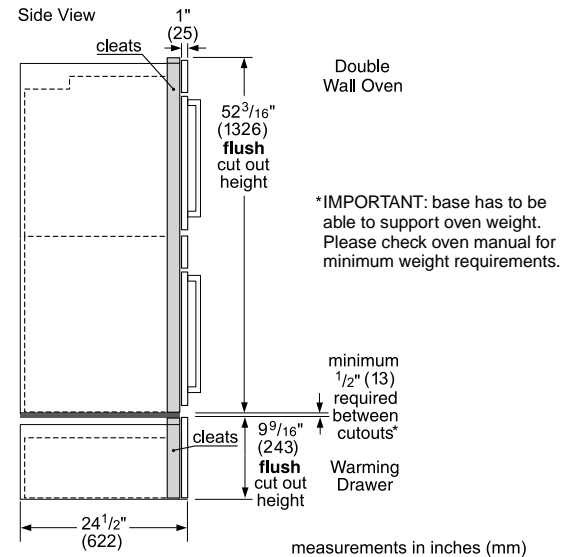
Installed in combination with other products.

Standard Installation 30" Double Oven over Warming Drawer



*Wall oven junction box may be located above or right or left of the unit within reach of the power conduit.
**Electrical hook up may be located below (depending on space) or next to the drawer within the reach of the power cord.

Flush Installation Double Oven over Warming Drawer

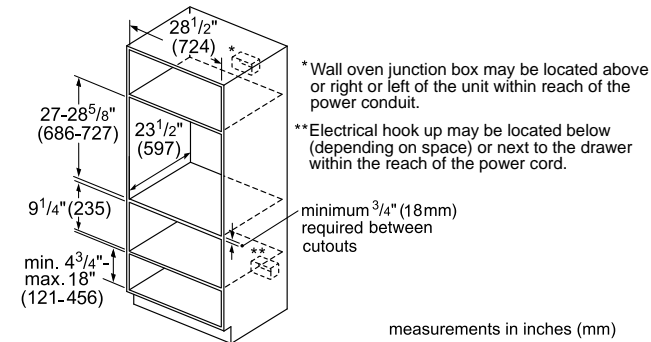


800 / 500 Series 30" Single Wall Ovens

Installed in combination with other products.

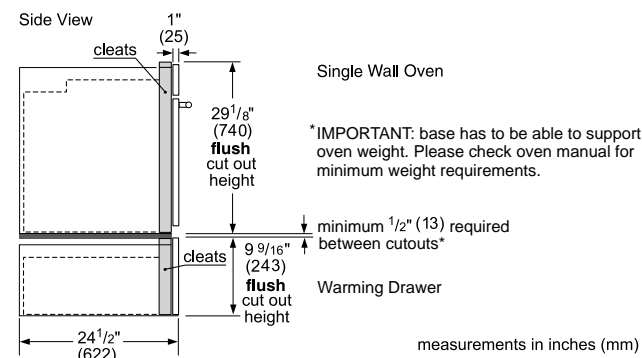
Standard Installation

30" Single Oven over Warming Drawer



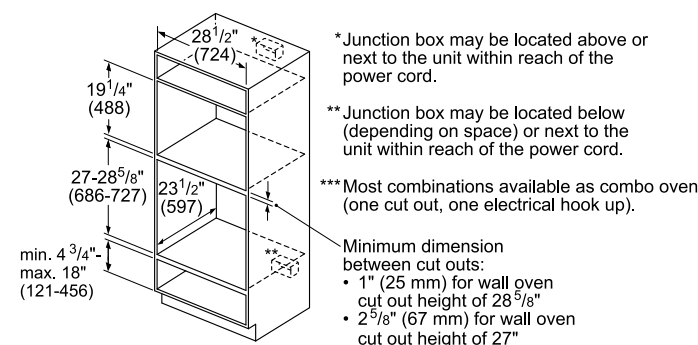
Flush Installation

Single Oven over Warming Drawer



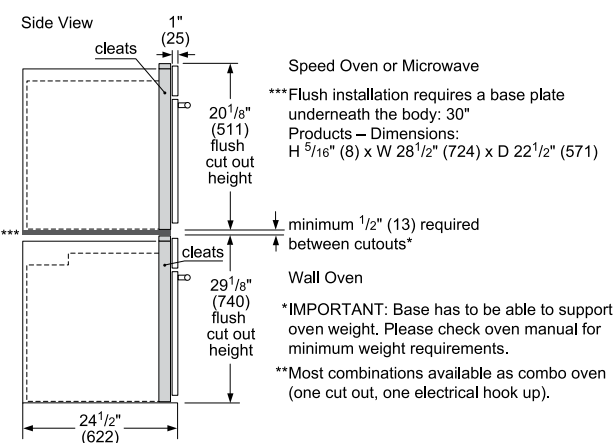
Standard Installation

30" Speed Oven or Microwave over Single Oven***



Flush Installation

Speed Oven or Microwave over 30" Single Oven**

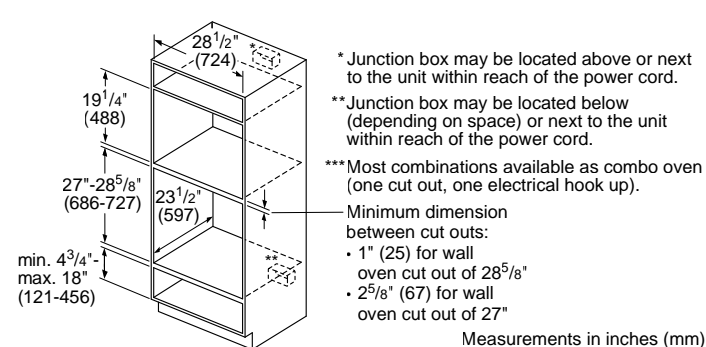


NOTE: This configuration is available as a combo oven (one cut out, one electrical hook up) – HBL5754UC, HBL57M52UC (500 series), HBL8753UC, HBL8743UC and HBL87M53UC (800 series)

NOTE: This configuration available as a combo oven. See Note at left for details.

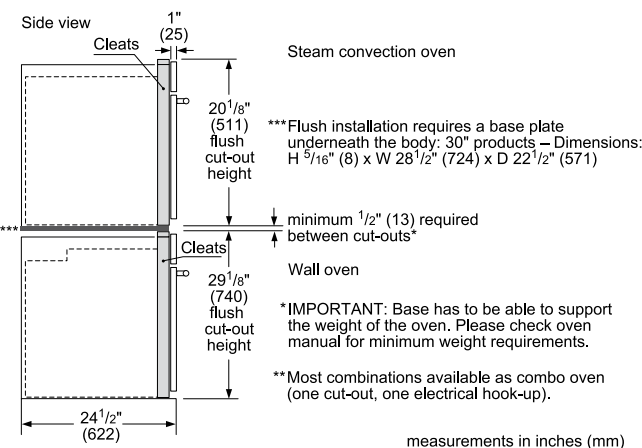
Standard Installation

30" Steam Convection Oven over Single Oven**



Flush Installation

Steam Convection Oven over 30" Single Oven**

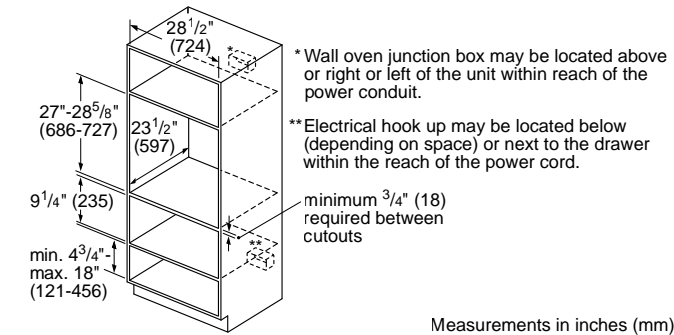


800 Series 30" Single Wall Ovens – Side Opening Door

Installed in combination with other products.

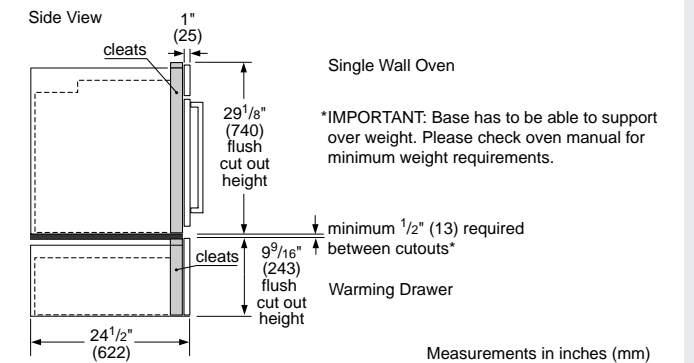
Standard Installation

30" Single Oven over Warming Drawer



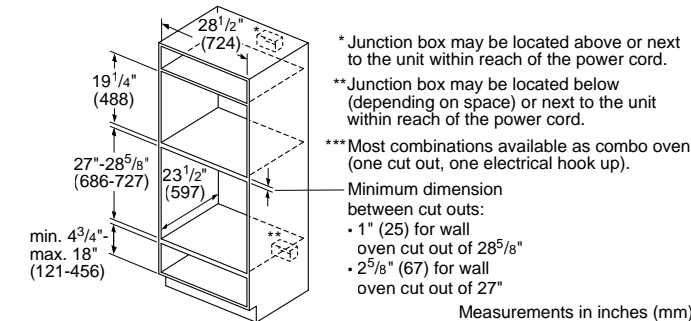
Flush Installation

Single Oven over Warming Drawer



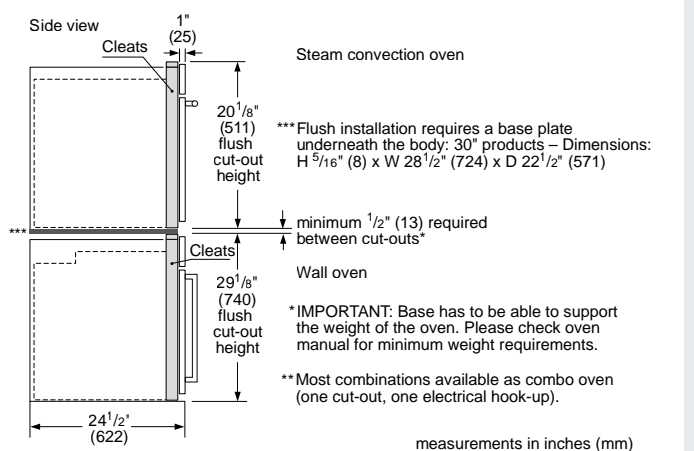
Standard Installation

30" Steam Convection Oven over Single Oven**



Flush Installation

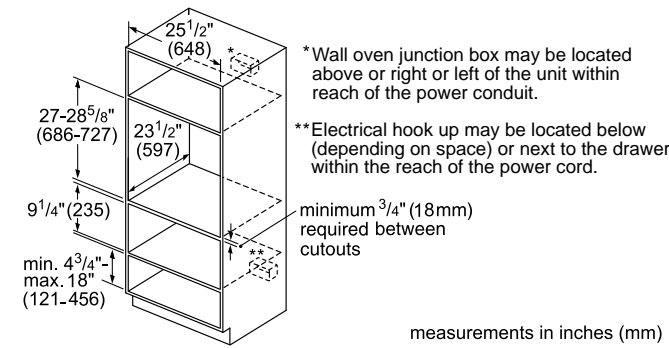
Steam Convection Oven over 30" Single Oven**



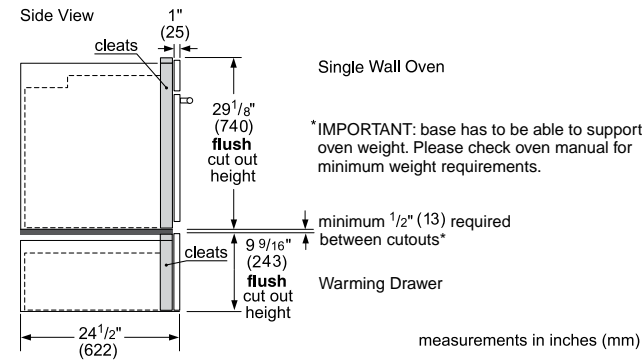
800 Series 27" Single Wall Ovens

Installed in combination with other products.

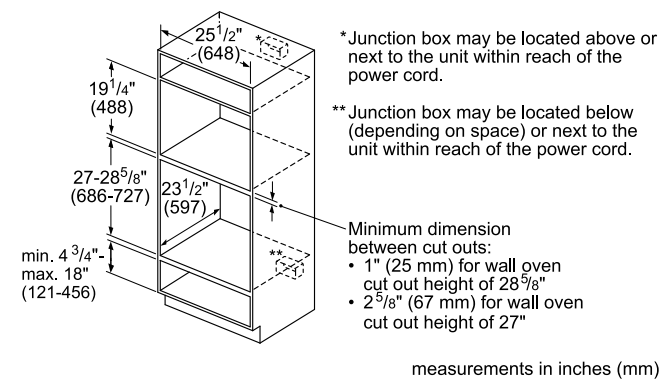
Standard Installation 27" Single Oven over Warming Drawer



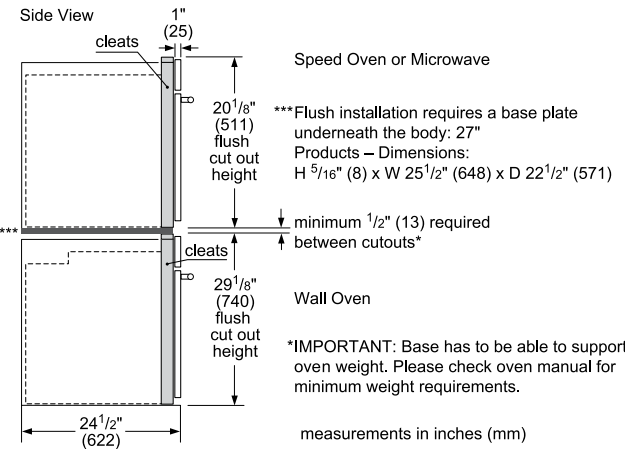
Flush Installation Single Oven over Warming Drawer



Standard Installation 27" Speed Oven or Microwave over Single Oven



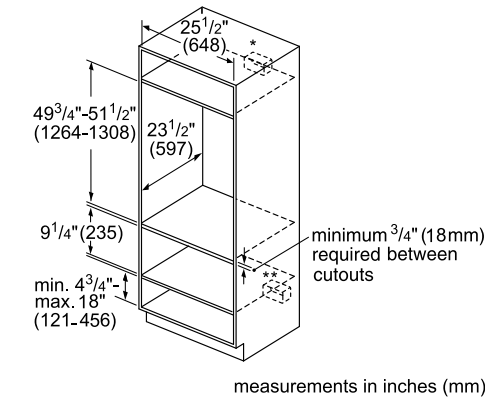
Flush Installation Speed Oven or Microwave over 27" Single Oven



800 Series 27" Double Wall Ovens

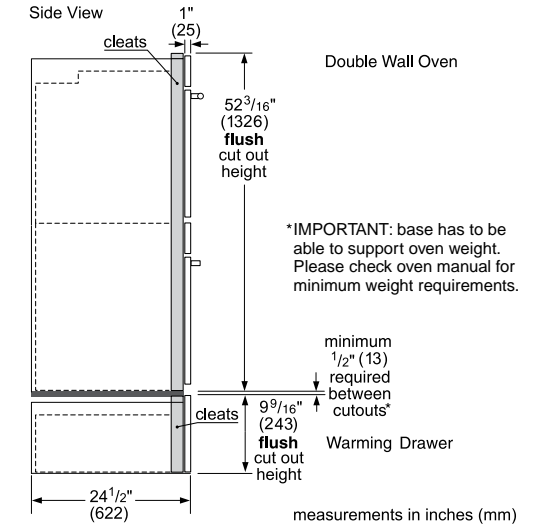
Installed in combination with other products.

Standard Installation 27" Double Oven over Warming Drawer



*Wall oven junction box may be located above or right or left of the unit within reach of the power conduit.
**Electrical hook up may be located below (depending on space) or next to the drawer within the reach of the power cord.

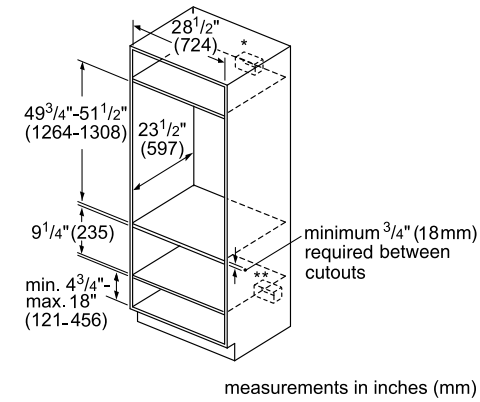
Flush Installation Double Oven over Warming Drawer



800 / 500 Series 30" Double Wall Ovens

Installed in combination with other products.

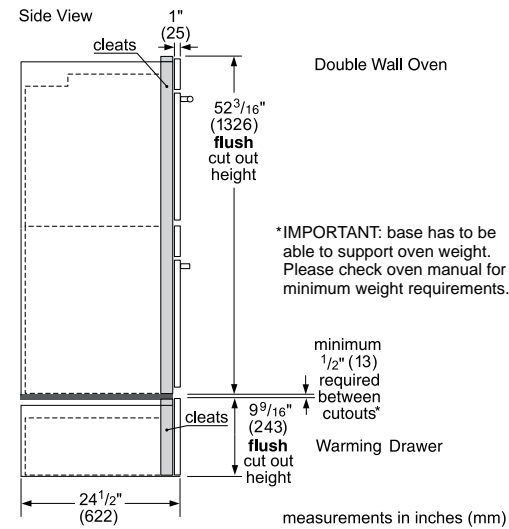
Standard Installation 30" Double Oven over Warming Drawer



*Wall oven junction box may be located above or right or left of the unit within reach of the power conduit.

**Electrical hook up may be located below (depending on space) or next to the drawer within the reach of the power cord.

Flush Installation Double Oven over Warming Drawer



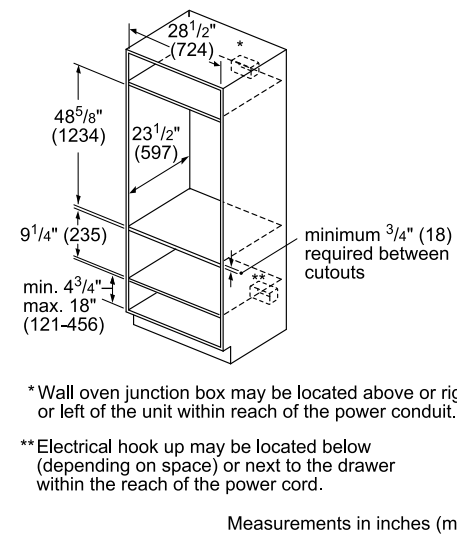
*IMPORTANT: base has to be able to support oven weight. Please check oven manual for minimum weight requirements.

minimum 1/2" (13) required between cutouts*

800 / 500 Combination Ovens

installed in combination with other products.

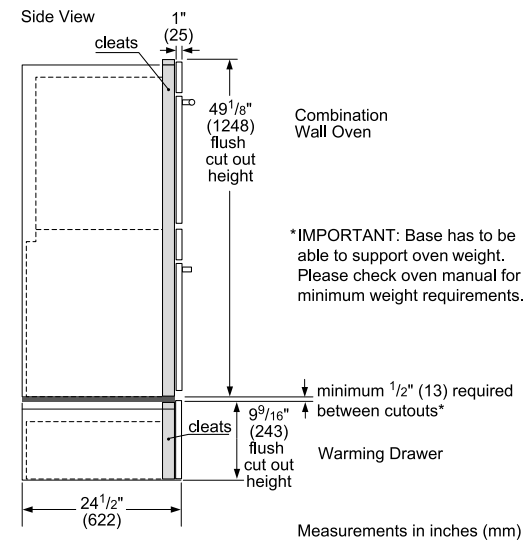
Standard Installation Combination Oven over Warming Drawer



*Wall oven junction box may be located above or right or left of the unit within reach of the power conduit.

**Electrical hook up may be located below (depending on space) or next to the drawer within the reach of the power cord.

Flush Installation Combination Oven over Warming Drawer



*IMPORTANT: Base has to be able to support oven weight. Please check oven manual for minimum weight requirements.

minimum 1/2" (13) required between cutouts*



**Approved
Cooking Model
Combination
Guide**



Bosch Cooktop Over Built-In Oven Approved Combination Guide

The following **Ovens, Cooktops and Drawers** are approved to be installed in combination and the installation has been certified by CSA.

| Built-in ovens | | Cooktops | | |
|------------------------|-----------------|-------------|------------|-----------|
| Conventional ovens (1) | Steam ovens (5) | Induction** | Electric** | Gas (1)* |
| HBLxxx1UC | HSLPxxx1UC | NITxxx8UC | NEMxxx6UC | NGMxxx6UC |
| HBLxxx3UC | | NITxxx9UC | NETxxx8UC | Gas (2)* |
| HBLxxx4UC | | NITxxx0UC | NETxxx9UC | NGM5456UC |
| HBNxxx1UC | | NITxxx8SUC | NETxxx8SUC | NGM5458UC |
| HBLxxx3T | | NITxxx9SUC | NETxxx9SUC | NGM5453UC |
| Conventional ovens (2) | | NITxxx0SUC | | NGM3450UC |
| HBExxx1UC | | | | Gas (3)* |
| Conventional ovens (3) | | | | NGMxxx7UC |
| HBExxx2UC | | | | Gas (4)* |
| | | | | NGMxxx8UC |
| | | | | NGMxxx1UC |
| | | | | NGMxxx0UC |
| | | | | NGMxxx9UC |

The following **Ovens, Cooktops and Drawers** are approved by BSH Home Appliances Corporation to be installed in combination. These products, identified in the table below, may be installed in combination. The suitability of the combination has not been evaluated by CSA.

| Built-in ovens | | Cooktops | | |
|------------------------|-----------------|-------------|------------|-----------|
| Conventional oven (4) | Speed ovens (6) | Induction** | Electric** | Gas (1)* |
| HBExxx3UC | HMCpxxx2UC | NITxxx8UC | NEMxxx6UC | NGMxxx6UC |
| Built-In microwave (8) | HMC8xxx2UC | NITxxx9UC | NETxxx8UC | Gas (2)* |
| HMB5xxx2UC | HMC5015xUC | NITxxx0UC | NETxxx9UC | NGM5456UC |
| Drawer microwaves (9) | Speed ovens (7) | NITxxx8SUC | NETxxx8SUC | NGM5458UC |
| HMDxxx3UC | HMC54xx1UC | NITxxx9SUC | NETxxx9SUC | NGM5453UC |
| HMDxxx1UC | HMC54xx2UC | NITxxx0SUC | | NGM3450UC |
| Warming drawers (10) | | | | Gas (3)* |
| HWD5051UC | | | | NGMxxx7UC |
| HWD5751UC | | | | Gas (4)* |
| HWDxxx1UC | | | | NGMxxx8UC |
| Storage drawer (11) | | | | NGMxxx0UC |
| HSD5051UC | | | | NGMxxx1UC |
| | | | | NGMxxx9UC |

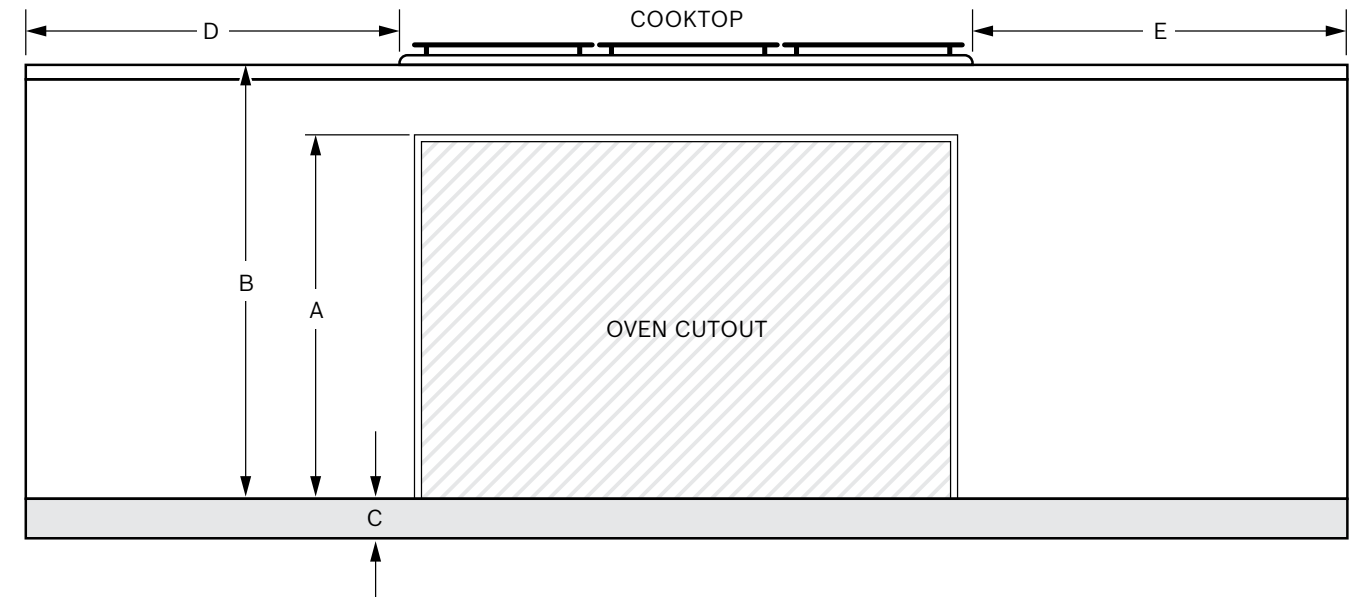
*Gas cooktops may require a 3/8" street elbow (not provided) at the regulator outlet for installation above built-in oven.
 **Refer to product installation instructions.

Appliances that are not listed above must be approved under local codes and/or by the local authority having jurisdiction.
Please note: For the latest updates to the approved oven/cooktop combination refer to the website listed in your appliance's installation instructions.

Bosch Cooktop Over Built-In Oven Combination Installation

Refer to the product installation guide for all other measurements.

| Oven installation requirements | | | | Cooktop installation requirements (min. wall spacing) | | | | | Electric cooktop | Induction cooktop |
|--|----------------|--------------------|--------------------|---|----------------------------------|----------------------------------|----------------------------------|-------------------|---------------------------|-------------------|
| Oven type | A Inches (mm) | B min. Inches (mm) | C max. Inches (mm) | Gas cooktop (1) min. Inches (mm) | Gas cooktop (2) min. Inches (mm) | Gas cooktop (3) min. Inches (mm) | Gas cooktop (4) min. Inches (mm) | | | |
| (1) Conventional oven | 28 1/4 (718) | 31 1/4 (794) | 4 3/4 (121) | D: 24 (610) E: 24 (610) | D: 3 (76) E: 4 (102) | D: 24 (610) E: 24 (610) | D: 16 (406) E: 16 (406) | Reference Product | Installation Instructions | |
| (2) Conventional oven | 23 (584) | 27 3/4 (705) | 8 1/4 (210) | D: 24 (610) E: 24 (610) | D: 3 (76) E: 4 (102) | D: 24 (610) E: 24 (610) | D: 16 (406) E: 16 (406) | Reference Product | Installation Instructions | |
| (3) Conventional oven | 23 1/16 (585) | 27 13/16 (707) | 8 3/16 (208) | D: 24 (610) E: 24 (610) | D: 3 (76) E: 4 (102) | D: 24 (610) E: 24 (610) | D: 16 (406) E: 16 (406) | Reference Product | Installation Instructions | |
| (4) Conventional oven | 23 (584) | 27 3/4 (705) | 8 1/4 (210) | D: 24 (610) E: 24 (610) | D: 3 (76) E: 4 (102) | D: 24 (610) E: 24 (610) | D: 16 (406) E: 16 (406) | Reference Product | Installation Instructions | |
| (5) Steam oven | 19 1/4 (488) | 23 3/8 (594) | 12 5/8 (321) | D: 24 (610) E: 24 (610) | D: 3 (76) E: 4 (102) | D: 24 (610) E: 24 (610) | D: 16 (406) E: 16 (406) | Reference Product | Installation Instructions | |
| (7) Speed oven | 17 3/4 (450) | 22 1/2 (572) | 13 1/2 (343) | D: 24 (610) E: 24 (610) | D: 3 (76) E: 4 (102) | D: 24 (610) E: 24 (610) | D: 16 (406) E: 16 (406) | Reference Product | Installation Instructions | |
| (6 & 8) Microwave speed oven | 19 1/4 (488) | 24 (609) | 12 (306) | D: 24 (610) E: 24 (610) | D: 3 (76) E: 4 (102) | D: 24 (610) E: 24 (610) | D: 16 (406) E: 16 (406) | Reference Product | Installation Instructions | |
| (6 & 8) Microwave speed oven with warming drawer | 28 1/4 (718) | 31 1/4 (794) | 4 3/4 (121) | D: 24 (610) E: 24 (610) | D: 3 (76) E: 4 (102) | D: 24 (610) E: 24 (610) | D: 16 (406) E: 16 (406) | Reference Product | Installation Instructions | |
| (9) Drawer microwave | 14 13/16 (376) | 20 (508) | 16 (406) | D: 24 (610) E: 24 (610) | D: 3 (76) E: 4 (102) | D: 24 (610) E: 24 (610) | D: 16 (406) E: 16 (406) | Reference Product | Installation Instructions | |



Bosch Side-By-Side Built-In Oven Approved Combination Guide

Single ovens, microwaves, speed ovens, and drawers approved by BSH Home Appliances Corporation to be installed in combination.
IMPORTANT: When installing an oven in combination, a minimum distance between the ovens is required. Refer to the oven installation manual for all other measurements.
 Do not install a self-cleaning oven beside another self-cleaning oven.

Appliances that are not listed must be approved under local codes and/or by the local authority having jurisdiction. For the latest updates to the approved combination, refer to the website listed in your appliance's installation instructions.

Approved Combinations

| Conventional Ovens | Built-in Microwaves | Steam Ovens | Speed Ovens | Warming Drawer |
|--|---------------------|-------------|--|----------------|
| HBLxxx1RUC, HBLxxx4RUC, HBLxxx1LUC, HBLxxx4LUC, HBLxxx1UC, HBLxxx3UC, HBLxxx4UC, HBNxxx1UC | HMB50152UC | HSLP451UC | HMC80152UC, HMC80252UC, HMC80242UC, HMCP0252UC | HWD5051UC |

Coffee maker with trim kit

BCM8450UC + HEZCMT3050

Refer to product installation instructions.

The suitability of the following combination has been evaluated by CSA.

| Conventional Ovens | Steam Ovens | Warming Drawer |
|--|-------------|----------------|
| HBLxxx1RUC, HBLxxx4RUC, HBLxxx1LUC, HBLxxx4LUC, HBLxxx1UC, HBLxxx3UC, HBLxxx4UC, HBNxxx1UC | HSLP451UC | HWD5051UC |

Refer to product installation instructions.

| Configuration | Left Oven Type | Middle Oven Type | Right Oven Type |
|------------------------|----------------------------|-----------------------|----------------------------|
| Side-by-side-by-side 1 | Conventional oven | Steam/speed/microwave | Conventional oven |
| Side-by-side-by-side 2 | Steam, speed, or microwave | Conventional oven** | Steam, speed, or microwave |

** Bottom hinge door models only. Side hinge door not recommended.

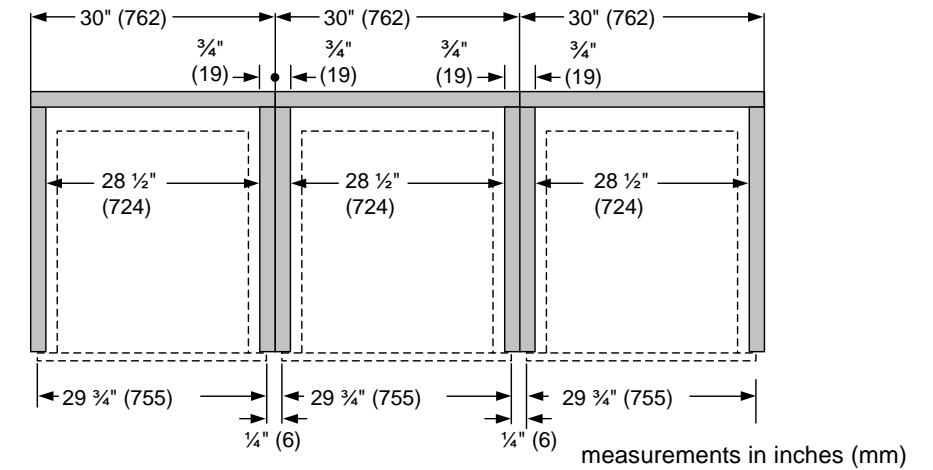
Horizontal installation of a 27" oven next to a 27" speed oven with warming drawer is possible, but the speed oven and warming drawer require either two or one cutout with a shelf support in between.

Side-by-Side-by-Side Installation

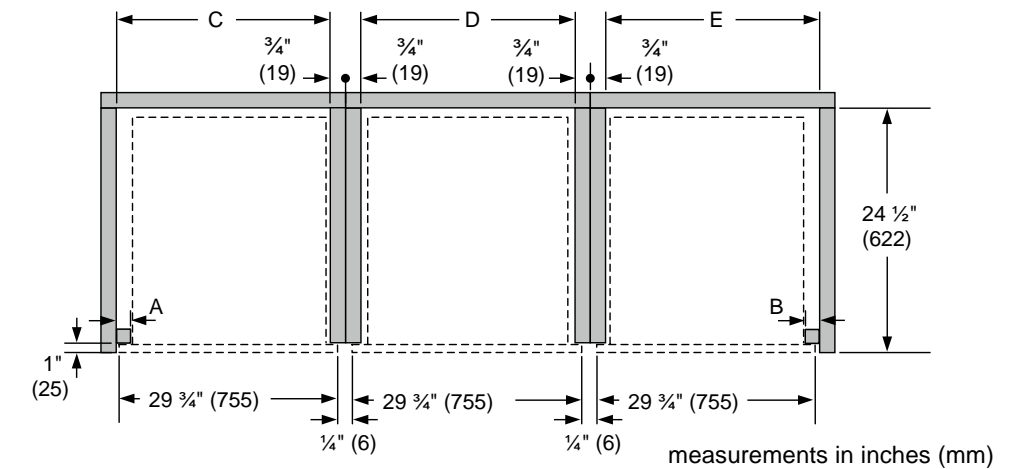
| Combination type | Left oven type | Middle oven type | Right oven type |
|------------------------|----------------------------|-----------------------|----------------------------|
| Side-by-side-by-side 1 | Conventional oven | Steam/speed/microwave | Conventional oven |
| Side-by-side-by-side 2 | Steam, speed, or microwave | Conventional oven** | Steam, speed, or microwave |

**Bottom hinge door modules only. Side hinge door not recommended.

Standard Installation Side-by-side-by-side



Flush Installation Side-by-side-by-side



| Combination type | A - Left reveal cleat | B - Right reveal cleat | C - Cutout width | D - Cutout width | E - Cutout width |
|-------------------------|-----------------------|------------------------|------------------|------------------|------------------|
| Flush bottom hinge door | 3/4" (19) | 3/4" (19) | 29 1/4" (743) | 28 1/2" (724) | 29 1/4" (743) |
| Flush left hinge door | 1 1/2" (38) | N/A* | 30" (762) | N/A* | N/A* |
| Flush right hinge door | N/A* | 1 1/2" (38) | N/A* | N/A* | 30" (762) |

*Installation not recommended.



Microwaves, Speed Ovens & Warming Drawers

Bosch microwaves simplify snack and mealtime by making it easier than ever to prepare foods at the touch of a button. Built in, over-the-range, or in a discreet drawer style, Bosch microwaves have automatic sensors to remove the guesswork from cooking and reheating. Our speed ovens combine convection and microwave technology to get meals on the table faster—freeing up more time for other things. The Bosch 27" or 30" speed ovens can be combined with a warming drawer to align horizontally with our single wall oven. With speed, intuitive controls, large capacities, and a clean aesthetic, Bosch microwaves and speed ovens lend a trusted hand in the kitchen when fitting cooking into your busy day.





Benchmark™ Series Microwaves & Speed Ovens

include these features:



Above a Slide-in Range

The over-the-range microwave is designed to fit above a slide-in range.



2-in-1 Microwave and Convection Speed Oven

Our 2-in-1 microwave and convection speed oven has 12 microwave programs and 9 SpeedChef® programs that offer faster cooking times.



Designed to Fit

The Benchmark™ Series Speed Oven is designed to fit perfectly above a warming drawer.



Even Cooking

Triple distribution system provides more even cooking.



Benchmark™ Series Speed Oven



30" Benchmark™ Series HMCP0252UC

- 1.6 cu. ft.
- Convection Multi-Rack*, Broil, Microwave
- SpeedChef® Cooking Modes Offer Faster Cooking Times
- TFT Display
- 240v, Direct Wire

Benchmark™ Series

Stainless Steel – HMCP0252UC

General Properties

| | |
|----------------------|-----------------|
| Cavity material | Stainless steel |
| Max. microwave power | 1,000 W |

Capacity

| | |
|--------------------|-------------|
| Cavity capacity | 1.6 cu. ft. |
| Turntable diameter | 14 1/8" |

Technical Details

| | |
|-------------------|-------------------------------------|
| Watts | 3,840 W |
| Circuit breaker | 16 A |
| Volts | 208 – 240 V |
| Frequency | 60 Hz |
| Power cord length | 48" |
| Plug type | Fixed connection, 8" stripped wires |

Dimensions & Weight

| | |
|--|---|
| Overall appliance dimensions (HxWxD) | 19 5/8" x 29 3/4" x 22 3/8" |
| Required cutout size (HxWxD) | Standard: 19 1/4" x 28 1/2" x 22" Flush: 20 1/8" x 30" x 23 1/2" |
| Oven overall interior dimensions (HxWxD) | 9 7/8" x 16 1/2" x 16 1/2" |
| Turntable – metal max. cookware | 12 3/4" dia. |
| Turntable – ceramic max. cookware | 12 1/2" dia. |
| Rack – rectangular cookware max. | 15" x 12" |
| Net weight | 96 lbs |

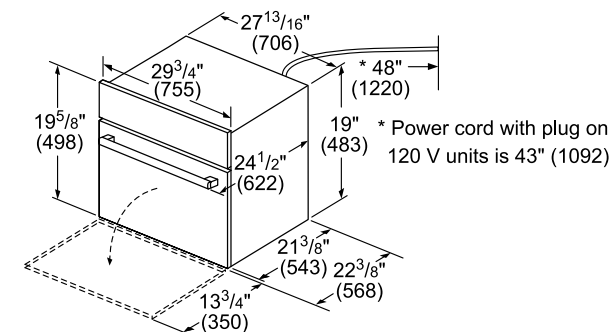
Accessories – Included

| | |
|----------|---|
| Included | Metal turntable, cooking rack, ceramic cooking tray |
|----------|---|

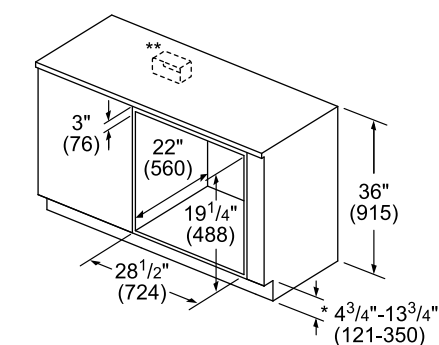
*Convection Pro

Benchmark™ Series Speed Oven

Product Dimensions



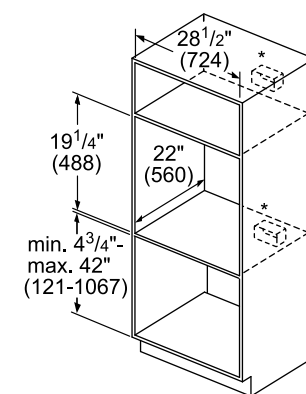
Under-Counter Installation



* Includes 3/4" (19) base plate

** Receptacle may be located to the left or right of the unit within reach of the power cord.

Wall Mounted Installation



* Receptacle may be located above or beneath the unit within reach of the power cord.

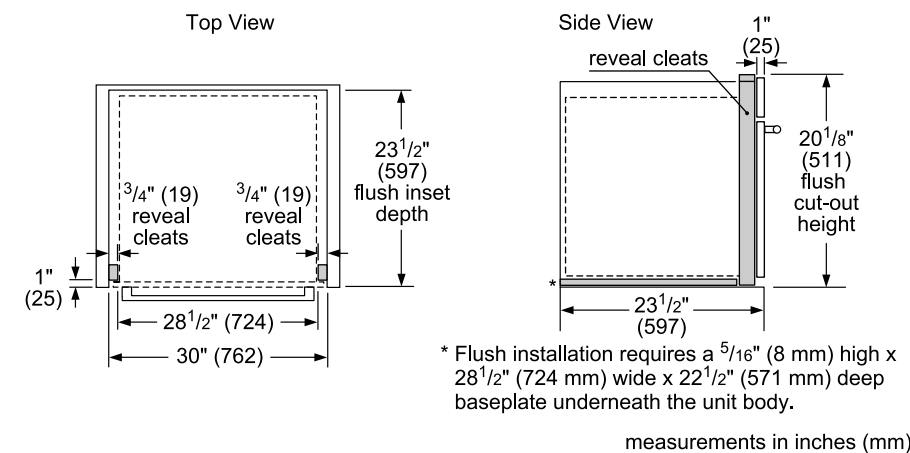
measurements in inches (mm)

Example Flush Install



Single wall oven shown.

Flush Installation



measurements in inches (mm)

NOTE: Bosch speed ovens can be installed in combination with other Bosch cooking products. See the guide on pages 86–101 for details.



800 Series Speed Ovens



800 Series
30" – HMC80152UC
27" – HMC87152UC

- 1.6 cu. ft.
- SpeedChef® Cooking Modes Offer Faster Cooking Times
- Installs Flush with Kitchen Cabinetry
- 120v, NEMA 5-20 – 3 Prong Plug



30" 800 Series
HMC80252UC (Stainless Steel)
HMC80242UC (Black Stainless Steel)

- 1.6 cu. ft.
- SpeedChef® Cooking Modes Offer Faster Cooking Times
- Installs Flush with Kitchen Cabinetry
- 240v, Direct Wire

Black
 Stainless Steel

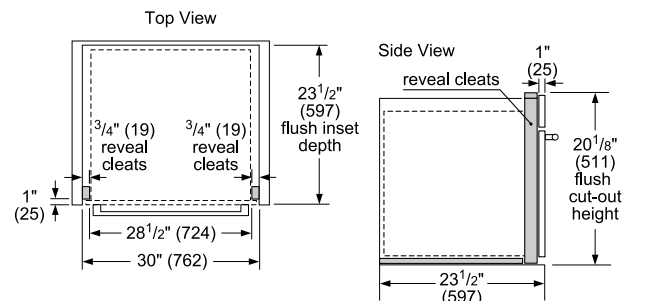
| 800 Series | 800 Series |
|----------------------------------|--|
| 30" Stainless Steel – HMC80152UC | 30" Stainless Steel – HMC80252UC |
| 27" Stainless Steel – HMC87152UC | 30" Black Stainless Steel – HMC80242UC |

| General Properties | | |
|----------------------|--------------------------|-------------------------------------|
| Cavity material | Stainless steel | Stainless steel |
| Max. microwave power | 1,000 W | 1,000 W |
| Capacity | | |
| Cavity capacity | 1.6 cu. ft. | 1.6 cu. ft. |
| Turntable diameter | 14 1/8" | 14 1/8" |
| Technical Details | | |
| Watts | 1,920 W | 3,840 W |
| Circuit breaker | 20 A | 16 A |
| Volts | 120 V | 208 – 240 V |
| Frequency | 60 Hz | 60 Hz |
| Power cord length | 43" | 48" |
| Plug type | NEMA 5-20 – 3 prong plug | Fixed connection, 8" stripped wires |

| Dimensions & Weight | | |
|--|--|---|
| Overall appliance dimensions (HxWxD) | 30": 19 5/8" x 29 3/4" x 22 3/8" 27": 19 5/8" x 26 3/4" x 22 3/8" | 19 5/8" x 29 3/4" x 22 3/8" |
| Required cutout size (HxWxD) | 30" Standard: 19 1/4" x 28 1/2" x 22" 30" Flush: 20 1/8" x 30" x 23 1/2" 27" Standard: 19 1/4" x 25 1/2" x 22" 27" Flush: 20 1/8" x 27" x 23 1/2" | Standard: 19 1/4" x 28 1/2" x 22" Flush: 20 1/8" x 30" x 23 1/2" |
| Oven overall interior dimensions (HxWxD) | 9 7/8" x 16 1/2" x 16 1/2" | 9 7/8" x 16 1/2" x 16 1/2" |
| Turntable – metal max. cookware | 12 3/4" dia. | 12 3/4" dia. |
| Turntable – ceramic max. cookware | 12 1/2" dia. | 12 1/2" dia. |
| Rack – rectangular cookware max. | 15" x 12" | 15" x 12" |
| Net weight | 96 lbs / 92 lbs | 96 lbs |

| Accessories – Included | | |
|------------------------|---|---|
| Included | Metal turntable, cooking rack, ceramic cooking tray | Metal turntable, cooking rack, ceramic cooking tray |

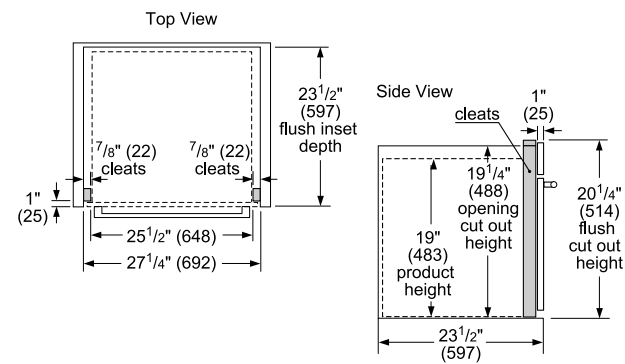
30" Flush Installation



* Flush installation requires a 5/16" (8 mm) high x 28 1/2" (724 mm) wide x 22 1/2" (571 mm) deep baseplate underneath the unit body.

measurements in inches (mm)

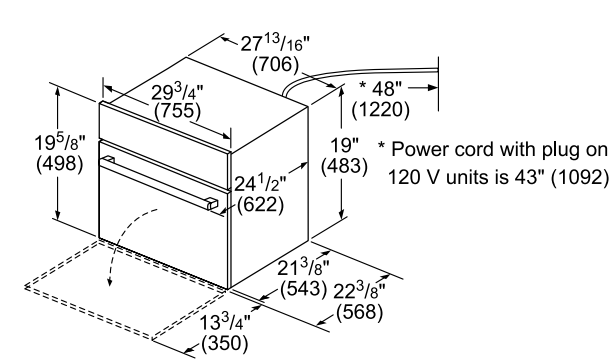
27" Flush Installation



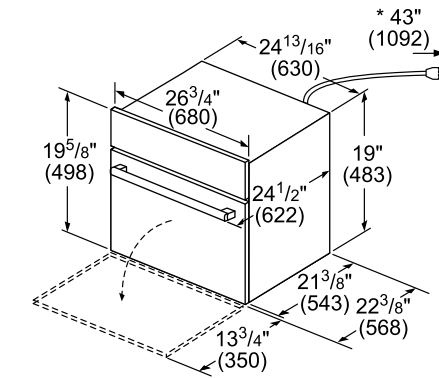
measurements in inches (mm)

800 Series Speed Ovens

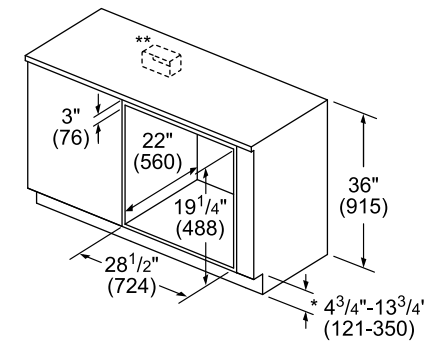
30" Speed Oven Dimensions



27" Speed Oven Dimensions



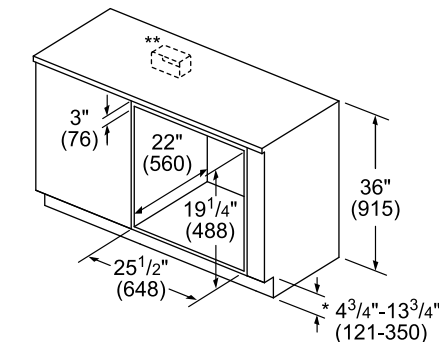
30" Speed Oven Under-Counter



* Includes 3/4" (19) base plate

** Receptacle may be located to the left or right of the unit within reach of the power cord.

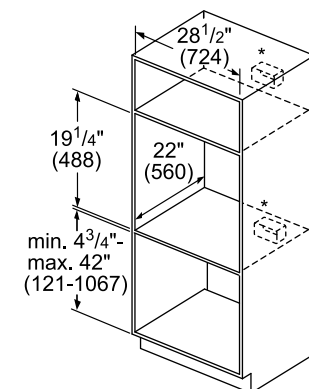
27" Speed Oven Under-Counter



* Includes 3/4" (19) base plate

** Receptacle may be located to the left or right of the unit within reach of the power cable.

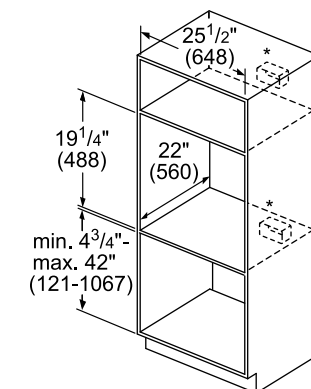
30" Speed Oven Wall-Mounted



* Receptacle may be located above or beneath the unit within reach of the power cord.

measurements in inches (mm)

27" Speed Oven Wall-Mounted



* Receptacle may be located above or beneath the unit within reach of the power cable.

measurements in inches (mm)

30" HMC80152UC
27" HMC87152UC



NOTE: Bosch Speed ovens can be installed in combination with other Bosch cooking products. See pages 86–101 for details. Horizontal installation of a 27" oven next to a 27" speed oven with warming drawer is possible, but the speed oven and warming drawer require either two cutouts or one cutout with a shelf support in between.



500 Series 24" Speed Oven



24" 500 Series HMC54151UC

- 1.6 cu. ft.
- SpeedChef® Cooking Modes Offer Faster Cooking Times
- Installs Flush with Kitchen Cabinetry
- 2-in-1 Microwave and Convection Oven for a Variety of Cooking Options
- 120v, NEMA 5-20 – 3 Prong Plug



500 Series

24" Stainless Steel – HMC54151UC

General Properties

| | |
|----------------------|-----------------|
| Cavity material | Stainless steel |
| Max. microwave power | 1,000 W |

Capacity

| | |
|--------------------|-------------|
| Cavity capacity | 1.6 cu. ft. |
| Turntable diameter | 14 3/16" |

Technical Details

| | |
|-------------------|--------------------------|
| Watts | 1,920 W |
| Circuit breaker | 20 A |
| Volts | 120 V |
| Frequency | 60 Hz |
| Power cord length | 43" |
| Plug type | NEMA 5-20 – 3 prong plug |

Dimensions & Weight

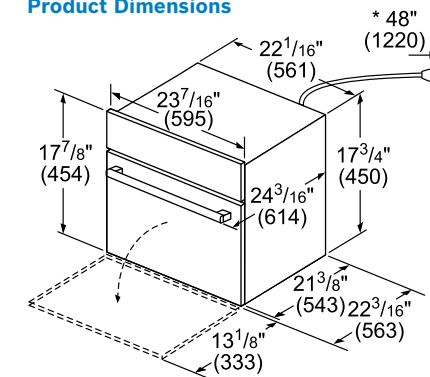
| | |
|--|---|
| Overall appliance dimensions (HxWxD) | 17 7/8" x 23 7/16" x 22 3/16" |
| Required cutout size (HxWxD) | Standard: 17 3/4" x 22 5/16" x 22" Flush: 18 7/16" x 24" x 22 3/4" |
| Oven overall interior dimensions (HxWxD) | 9 7/8" x 16 1/2" x 16 1/2" |
| Turntable – metal max. cookware | 12 3/4" dia. |
| Turntable – ceramic max. cookware | 12 1/2" dia. |
| Rack – rectangular cookware max. | 15" x 12" |
| Net weight | 91 lbs |

Accessories – Included

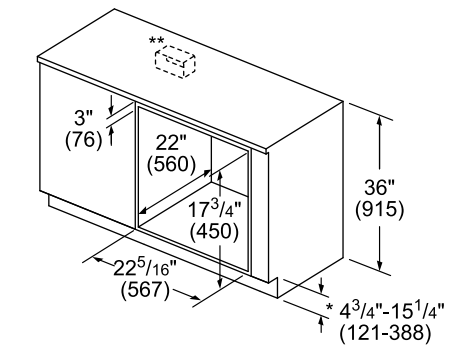
| | |
|----------|---|
| Included | Metal turntable, cooking rack, ceramic cooking tray |
|----------|---|

500 Series 24" Speed Oven

Product Dimensions



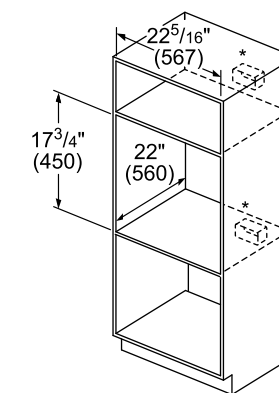
Under-Counter Installation



* Includes 3/4" (19) base plate

** Receptacle may be located to the left or right of the unit within reach of the power cord.

Wall Mounted Installation



* Receptacle may be located above or beneath the unit within reach of the power cord.

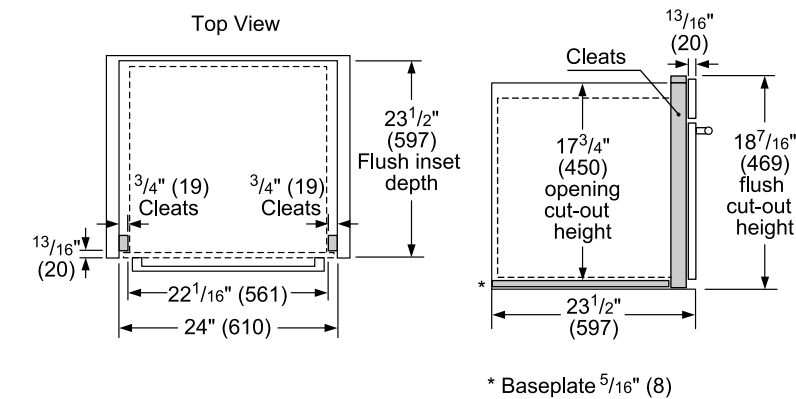
Notice:
The cabinet base must be flat and capable of supporting a weight of at least 142 lbs (64.1 kg).

Example Flush Install



Single wall oven shown.

Flush Installation



NOTE: Bosch speed ovens can be installed in combination with other Bosch cooking products. See the guide on pages 86–99 for details.



Benchmark™ Series Over-the-Range Microwave



30" Benchmark™ Series HMVP053U

- 1.8 cu. ft.
- Triple Distribution Offers More Even Cooking
- 1,450 Watts Convection Cooking
- 1,000 Watts Microwave Cooking
- Stainless Steel Cavity

30" Benchmark™ Series

Stainless Steel – HMVP053U

General Properties

| | |
|----------------------|-----------------|
| Cavity material | Stainless steel |
| Max. microwave power | 1,000 W |
| Max. extraction rate | 385 CFM |
| Ducted | Yes |
| Ductless | Yes |
| Duct size | 3 1/4" x 10" |

Capacity

| | |
|--------------------|-------------|
| Cavity capacity | 1.8 cu. ft. |
| Turntable diameter | 14 3/16" |

Technical Details

| | |
|-------------------|----------------|
| Watts | 1,450 W |
| Circuit breaker | 15 A |
| Volts | 120 V |
| Frequency | 60 Hz |
| Power cord length | 40" |
| Plug type | 120V – 3 prong |

Dimensions & Weight

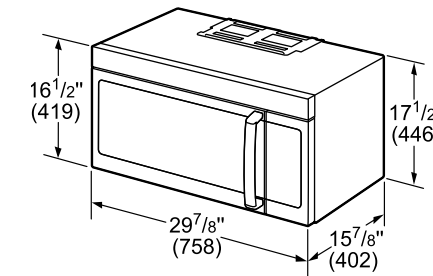
| | |
|--------------------------------------|-----------------------------|
| Overall appliance dimensions (HxWxD) | 17 1/2" x 29 7/8" x 15 7/8" |
| Required cutout size (HxWxD) | 30" x 30" x 12"-14" |
| Net weight | 73 lbs |

Accessories – Included

| | |
|----------|------------------------|
| Included | Two level cooking rack |
|----------|------------------------|

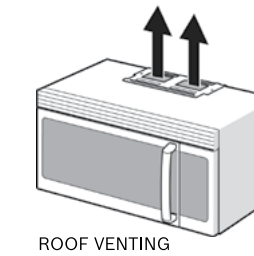
Benchmark™ Series Over-the-Range Microwave

Product Dimensions

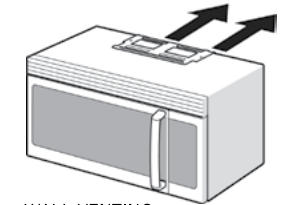


measurements in inches (mm)

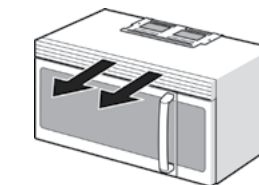
Venting Options



ROOF VENTING

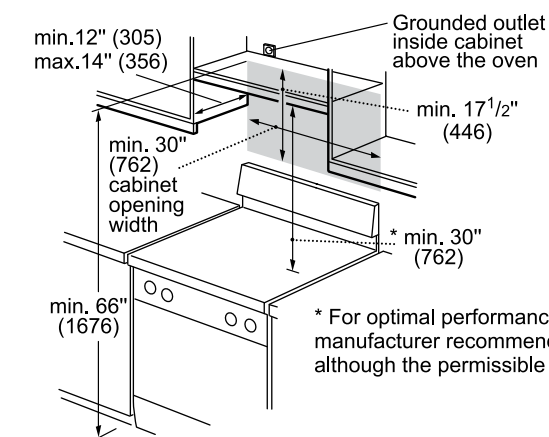


WALL VENTING



ROOM VENTING

Cutout and Clearances



* For optimal performance and reliability, the manufacturer recommends a clearance of 33"-36", although the permissible clearance must be at least 30".

measurements in inches (mm)



800 / 500 / 300 Series Over-the-Range Microwaves



800 Series
HMV8053U (Stainless Steel)
HMV8044U (Black Stainless Steel)

- 1.8 cu. ft.
- 1,000 Watts Microwave Cooking
- 1,450 Watts Convection Cooking
- + Stainless Steel Cavity

Black
Stainless Steel



500 Series
HMV5053U

- + 2.1 cu. ft.
- + 1,100 Watts Microwave Cooking
- + Sensor Cooking
- + 385 CFM



300 Series
HMV3053U

- 1.6 cu. ft.
- 1,000 Watts Microwave Cooking
- Auto Cook Functions
- 300 CFM

+ Indicates a step-up feature

| | 30" - 800 Series | 30" - 500 Series | 30" - 300 Series |
|--|--|----------------------------|----------------------------|
| | Stainless Steel - HMV8053U Black Stainless Steel - HMV8044U | Stainless Steel - HMV5053U | Stainless Steel - HMV3053U |

General Properties

| | 30" - 800 Series | 30" - 500 Series | 30" - 300 Series |
|----------------------|------------------|------------------|------------------|
| Cavity color | Stainless steel | White | White |
| Max. microwave power | 1,000 W | 1,100 W | 1,000 W |
| Max. extraction rate | 385 CFM | 385 CFM | 300 CFM |
| Ducted | Yes | Yes | Yes |
| Ductless | Yes | Yes | Yes |
| Duct size | 3 1/4" x 10" | 3 1/4" x 10" | 3 1/4" x 10" |

Capacity

| | 30" - 800 Series | 30" - 500 Series | 30" - 300 Series |
|--------------------|------------------|------------------|------------------|
| Cavity capacity | 1.8 cu. ft. | 2.1 cu. ft. | 1.6 cu. ft. |
| Turntable diameter | 14 3/16" | 14 3/16" | 13 5/8" |

Technical Details

| | 30" - 800 Series | 30" - 500 Series | 30" - 300 Series |
|-------------------|------------------|------------------|------------------|
| Watts | 1,450 W | 1,550 W | 1,550 W |
| Circuit breaker | 15 A | 15 A | 15 A |
| Volts | 120 V | 120 V | 120 V |
| Frequency | 60 Hz | 60 Hz | 60 Hz |
| Power cord length | 40" | 40" | 40" |
| Plug type | 120V - 3 prong | 120V - 3 prong | 120V - 3 prong |

Dimensions & Weight

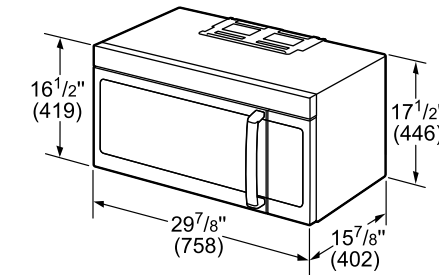
| | 30" - 800 Series | 30" - 500 Series | 30" - 300 Series |
|--------------------------------------|-----------------------------|-----------------------------|-----------------------------|
| Overall appliance dimensions (HxWxD) | 17 1/2" x 29 7/8" x 15 7/8" | 17 1/2" x 29 7/8" x 15 7/8" | 16 1/2" x 29 7/8" x 15 3/8" |
| Required cutout size (HxWxD) | 30" x 30" x 12"-14" | 30" x 30" x 12"-14" | 30" x 30" x 12"-12 7/8" |
| Net weight | 54 lbs | 63 lbs | 57 lbs |

Accessories - Included

| | 30" - 800 Series | 30" - 500 Series | 30" - 300 Series |
|----------|----------------------------|------------------|------------------|
| Included | Rack for two level cooking | - | - |

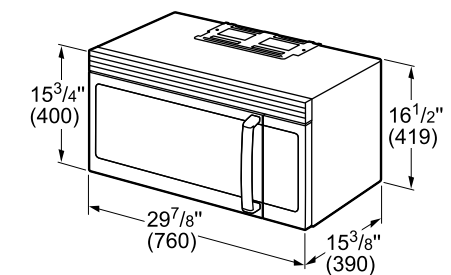
800 / 500 / 300 Series Over-the-Range Microwaves

800 / 500 Series Product Dimensions



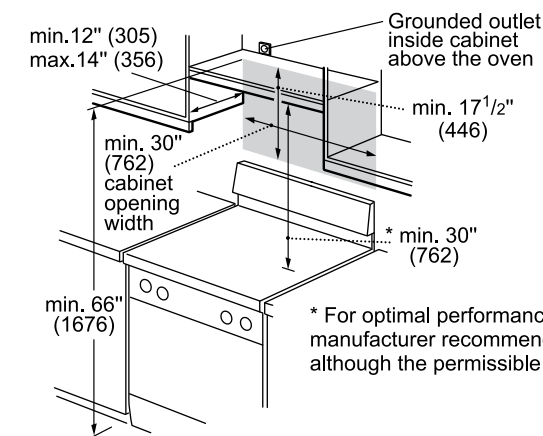
measurements in inches (mm)

300 Series Product Dimensions



Measurements in inches (mm)

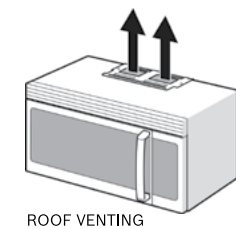
800 / 500 Series Cutout and Clearances



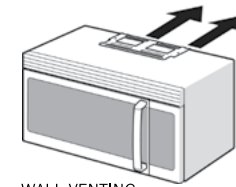
* For optimal performance and reliability, the manufacturer recommends a clearance of 33"-36", although the permissible clearance must be at least 30".

measurements in inches (mm)

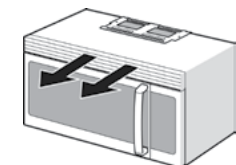
800 / 500 / 300 Series Venting Options



ROOF VENTING

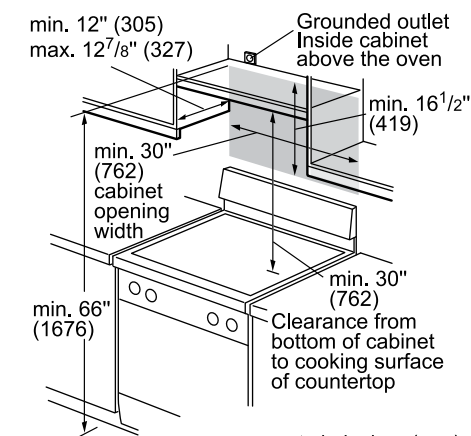


WALL VENTING



ROOM VENTING

300 Series Cutout and Clearances



measurements in inches (mm)



800 Series Drawer Microwaves



24" 800 Series
HMD8451UC

- 1.2 cu. ft.
- 950 Watts
- Microwave Cooking
- 10 Power Levels
- Flush Installation



30" 800 Series
HMD8053UC

- 1.2 cu. ft.
- 950 Watts
- Microwave Cooking
- 10 Power Levels
- Flush Installation

The Flush-Mount Drawer Microwave

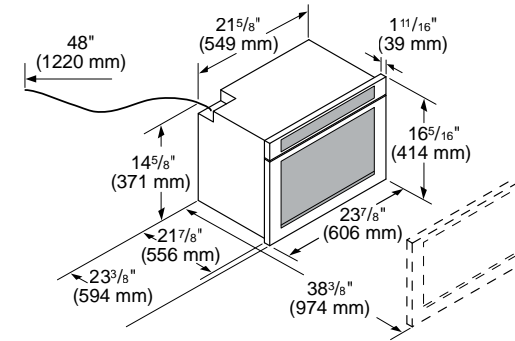
Open your design options. The Bosch drawer microwave installs cleanly under counters, cooktops, and flush to cabinets, letting you take advantage of extra space in a kitchen island, for example. The drawer microwave opens and closes with a push of a button and is large enough to fit a 9" x 13" baking oven pan or a 4 qt. casserole dish.

| | 24" – 800 Series | 30" – 800 Series |
|--------------------------------------|-------------------------------|-------------------------------|
| | Stainless Steel – HMD8451UC | Stainless Steel – HMD8053UC |
| General Properties | | |
| Cavity material | White | White |
| Max. microwave power | 950 W | 950 W |
| Capacity | | |
| Cavity capacity | 1.2 cu. ft. | 1.2 cu. ft. |
| Technical Details | | |
| Watts | 1,500 W | 1,500 W |
| Circuit breaker | 15 A | 15 A |
| Volts | 120 V | 120 V |
| Frequency | 60 Hz | 60 Hz |
| Power cord length | 48" | 48" |
| Plug type | 120V – 3 prong | 120V – 3 prong |
| Dimensions & Weight | | |
| Overall appliance dimensions (HxWxD) | 16 5/16" x 23 7/8" x 23 3/8" | 16 5/16" x 30" x 23 3/8" |
| Required cutout size (HxWxD) | 14 13/16" x 22 1/8" x 23 1/2" | 14 13/16" x 28 1/4" x 23 1/2" |
| Net weight | 81 lbs | 88 lbs |

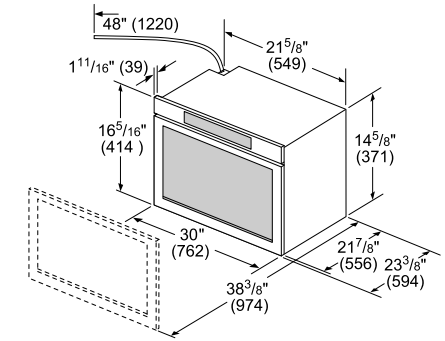
NOTE: Bosch drawer microwaves can be installed in combination with other Bosch cooking products. See the guide on pages 86–99 for details.

800 Series Drawer Microwaves

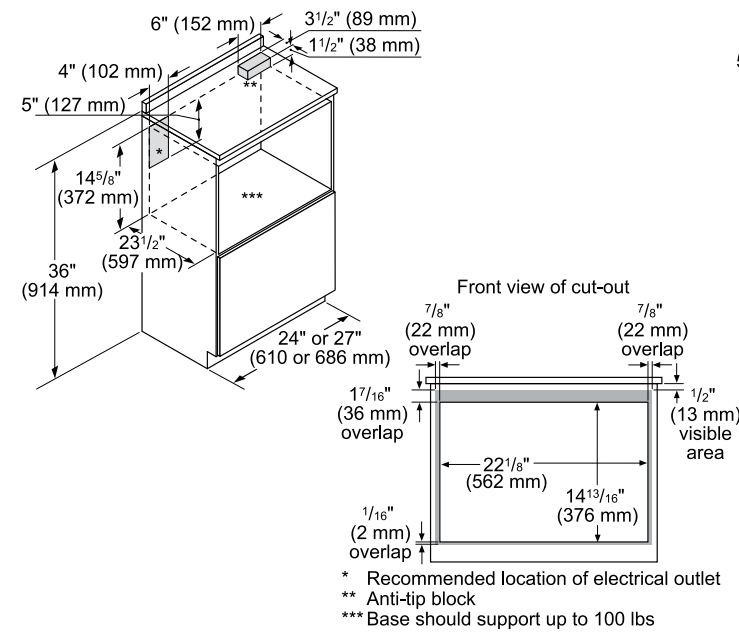
24" Drawer Microwave Dimensions



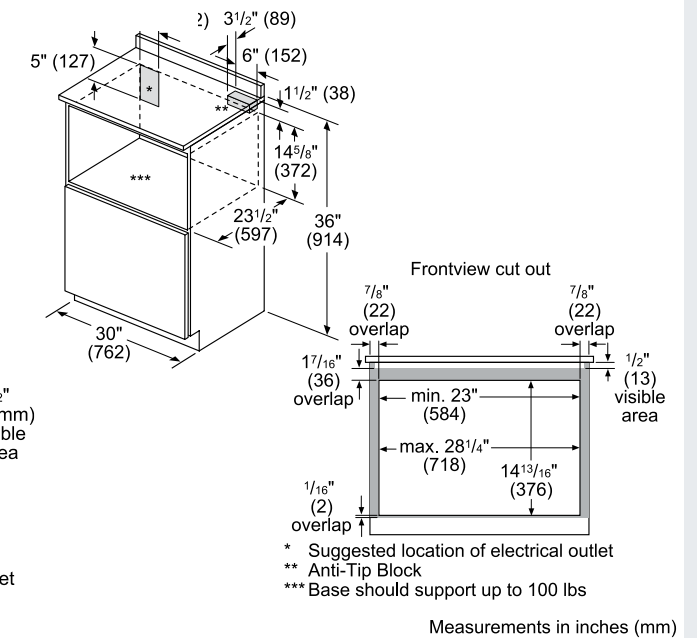
30" Drawer Microwave Dimensions



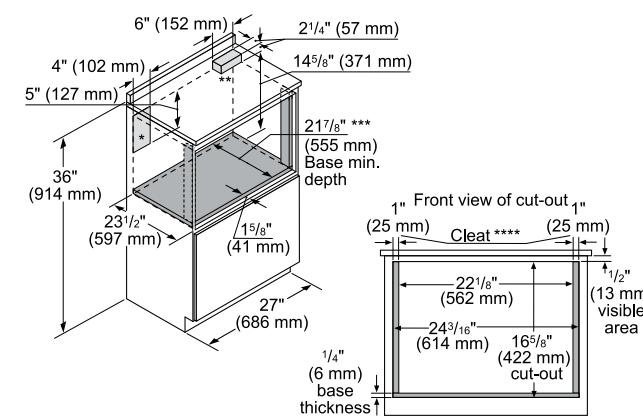
24" Drawer Microwave Standard Installation



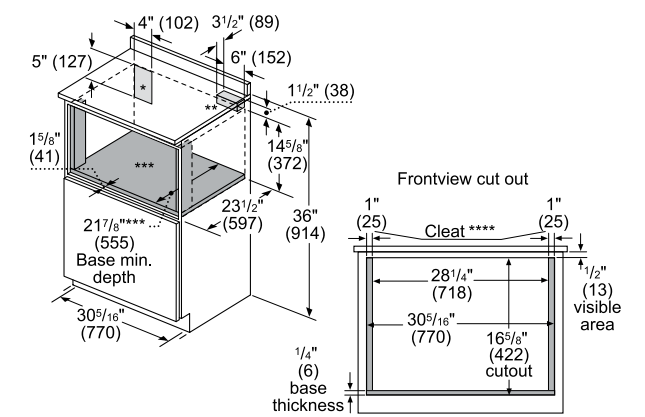
30" Drawer Microwave Standard Installation



24" Drawer Microwave Flush Installation



30" Drawer Microwave Flush Installation



- * Recommended location of electrical outlet
- ** Anti-tip block
- *** Base should support up to 100 lbs
- **** Sides should be finished and extend back to cleat. Cleats should also be finished, as they may be visible after installation.

- * Suggested location of electrical outlet
- ** Anti-Tip Block
- *** Base should support up to 100 lbs
- **** Sides should be finished and extend back to cleat. Cleats should also be finished, as they may be visible after installation.

Measurements in inches (mm)



500 Series Built-in Microwaves



27" 500 Series
HMB57152UC

- 1.6 cu. ft.
- 950 Watts Microwave Cooking
- Automatic Sensor Programs
- Designed to Match Bosch Wall Ovens



30" 500 Series
HMB50152UC

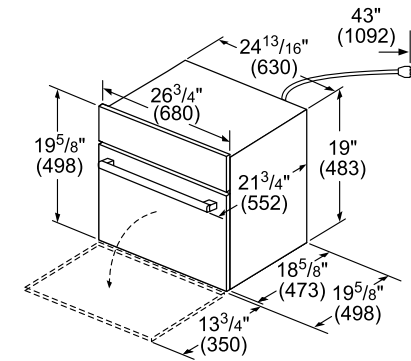
- 1.6 cu. ft.
- 950 Watts Microwave Cooking
- Automatic Sensor Programs
- Designed to Match Bosch Wall Ovens

| | 27" - 500 Series | 30" - 500 Series |
|--|---|---|
| | Stainless Steel - HMB57152UC | Stainless Steel - HMB50152UC |
| General Properties | | |
| Cavity color | Stainless steel | Stainless steel |
| Max. microwave power | 950 W | 950 W |
| Capacity | | |
| Cavity capacity | 1.6 cu. ft. | 1.6 cu. ft. |
| Turntable diameter | 14 1/8" | 14 1/8" |
| Technical Details | | |
| Watts | 1,650 W | 1,650 W |
| Circuit breaker | 15 A | 15 A |
| Volts | 120 V | 120 V |
| Frequency | 60 Hz | 60 Hz |
| Power cord length | 43" | 43" |
| Plug type | NEMA 5-15 - 3 prong | NEMA 5-15 - 3 prong |
| Dimensions & Weight | | |
| Overall appliance dimensions (HxWxD) | 19 5/8" x 26 3/4" x 19 5/8" | 19 5/8" x 29 3/4" x 19 5/8" |
| Required cutout size (HxWxD) | Standard: 19 1/4" x 25 1/2" x 19 1/4" Flush: 20 1/4" x 27" x 20 3/4" | Standard: 19 1/4" x 28 1/2" x 19 1/4" Flush: 20 1/4" x 30" x 20 3/4" |
| Oven overall interior dimensions (HxWxD) | 9 7/8" x 16 1/2" x 16 1/2" | 9 7/8" x 16 1/2" x 16 1/2" |
| Net weight | 83 lbs | 87 lbs |
| Accessories - Included | | |
| Included | Glass turntable | Glass turntable |

NOTE: Bosch built-in microwaves can be installed in combination with other Bosch cooking products. See the guide on pages 86-101 for details.

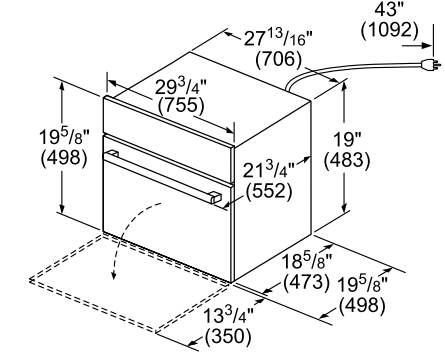
500 Series Built-in Microwaves

27" Microwave Dimensions



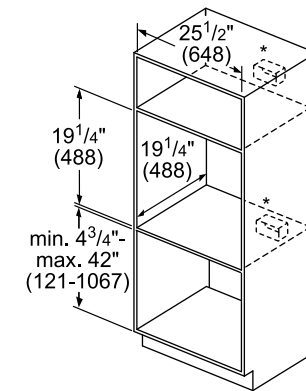
measurements in inches (mm)

30" Microwave Dimensions



measurements in inches (mm)

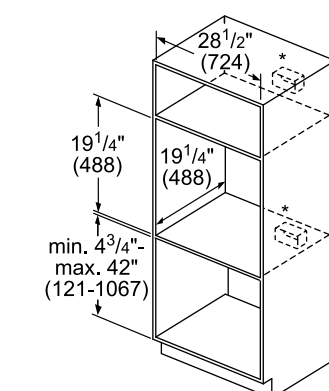
27" Microwave Standard Installation



* Receptacle may be located above or beneath the unit within reach of the power cable.

measurements in inches (mm)

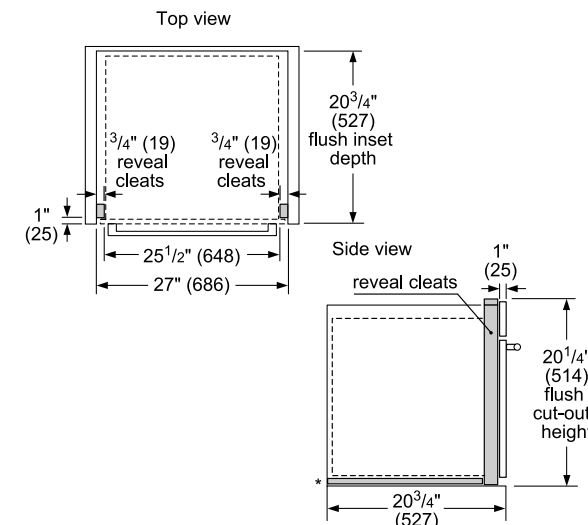
30" Microwave Standard Installation



* Receptacle may be located above or beneath the unit within reach of the power cable.

measurements in inches (mm)

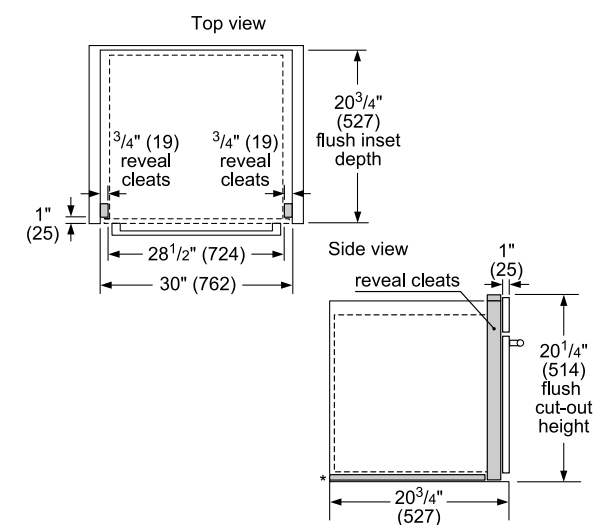
27" Microwave Flush Installation



* Flush installation requires a 5/16" (8 mm) high x 25 1/2" (648 mm) wide x 19 3/4" (500 mm) deep base plate underneath the unit body.

measurements in inches

30" Microwave Flush Installation



* Flush installation requires a 5/16" (8 mm) high x 28 1/2" (724 mm) wide x 19 3/4" (500 mm) deep base plate underneath the unit body.

measurements in inches



500 Series Warming Drawers



500 Series Warming Drawer 30" – HWD5051UC 27" – HWD5751UC

- 2.2 cu. ft. (27" is 1.9 cu. ft.)
- 3 Settings, Timer
- 30" Installs Vertically Under Bosch Speed, Steam or Wall Oven
- 27" Installs Vertically Under Bosch 120V Speed, or Wall Oven (Separate Cut Outs Needed)

+ Indicates a step-up feature

Warming Drawers

30" Stainless Steel – HWD5051UC
27" Stainless Steel – HWD5751UC

General Properties

| | |
|---------------------------------|--------------------------|
| Power levels | High, low, medium |
| Dough proofing mode | Yes |
| Temperature range | 100° – 190° F |
| Timer 5 min. – 5 hours | Yes |
| Automatic shut off after 1 hour | Yes |
| Door opening | Push to open |
| Hinges | Ball bearing hinges |
| Wattage heating element | 450 W |
| Control type | Illuminated TouchControl |

Capacity

| | |
|-----------------|--------------------------------------|
| Cavity capacity | 30": 2.2 cu. ft. 27": 1.9 cu. ft. |
|-----------------|--------------------------------------|

Technical Details

| | |
|-------------------|----------------|
| Watts | 450 W |
| Circuit breaker | 15 A |
| Volts | 120 V |
| Frequency | 60 Hz |
| Power cord length | 84" |
| Plug type | 120V – 3 prong |

Dimensions & Weight

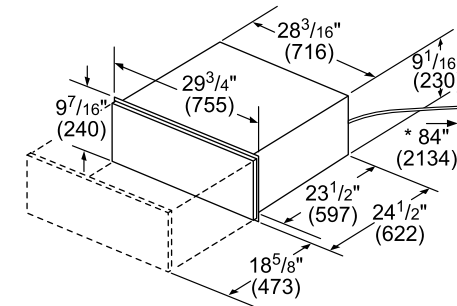
| | |
|--------------------------------------|--|
| Overall appliance dimensions (HxWxD) | 30": 9 7/16" x 29 3/4" x 23 1/2" 27": 9 7/16" x 26 3/4" x 23 1/2" |
| Required cutout size (HxWxD) | 30": 9 1/4" x 28 1/2" x 23 1/2" 27": 9 1/4" x 25 1/2" x 23 1/2" |
| Net weight | 30": 58 lbs 27": 50 lbs |

Accessories - Included

| | |
|-----------------------|---|
| Installation brackets | 30" model: Install drawer below speed or steam oven in one cut out (identical to single wall oven cut out). Products still need to be hooked up individually. |
|-----------------------|---|

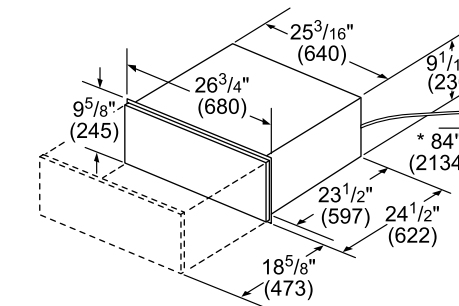
500 Series Warming Drawers

30" Warming Drawer Dimensions



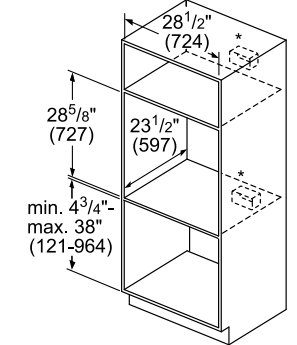
* Power cord on warming drawer is 84" (2134 mm)

27" Warming Drawer Dimensions



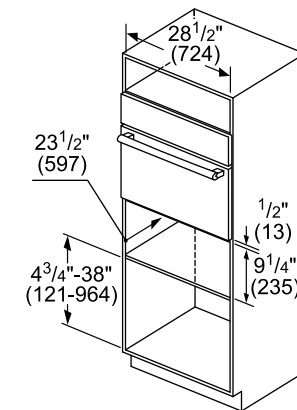
* Power cord on warming drawer is 84" (2134 mm)

30" Speed Oven Over Warming Drawer



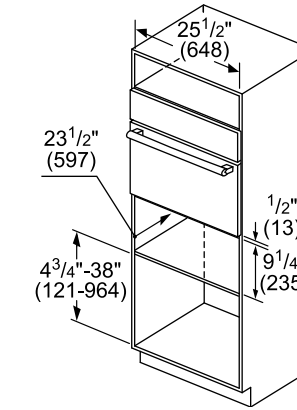
• For installation into a wall cabinet, the receptacle may be installed above, below, or to the left or right of the unit within range of the power cord.

30" Warming Drawer Wall-Mounted



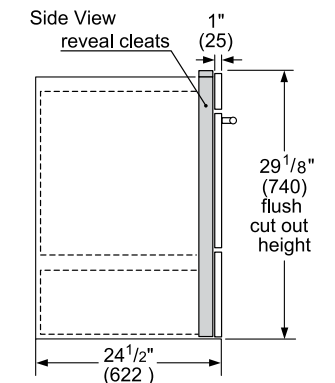
measurements in inches (mm)

27" Warming Drawer Wall-Mounted



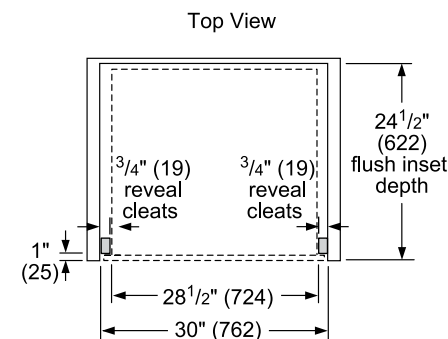
measurements in inches (mm)

Speed Oven Over Warming Drawer

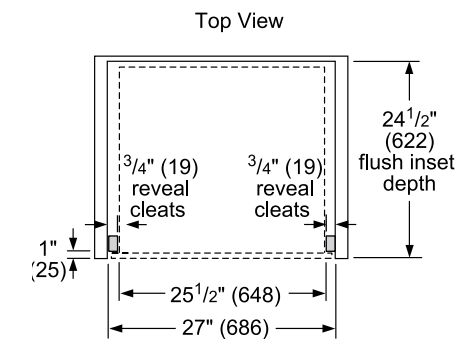


Measurements in inches (mm)

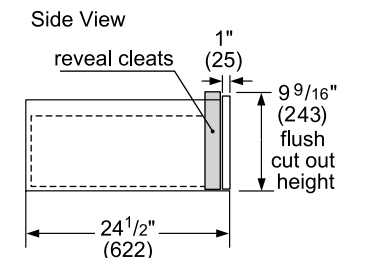
30" Flush Installation



27" Flush Installation



30" & 27" Flush Installation



NOTE: See pages 86–101 for planning and installation details when installing Bosch warming drawers in combination with other Bosch products. Horizontal installation of a 27" oven next to a 27" speed oven with warming drawer is possible, but the speed oven and warming drawer require either two cutouts or one cutout with a shelf support in between.





Built-in Coffee Machine

Bosch has brewed up smart ideas to let you craft the perfect cup quickly and easily. Our built-in coffee machine is stylishly designed with innovative technologies to prepare coffee precisely when and how you like it. Whether you wish to wake up to a macchiato, relax with a cappuccino, serve up a strong espresso, or froth the perfect latte, Bosch makes it easier to brew it like a barista. And with our intuitive Home Connect® app, you can control it all from your smartphone or tablet.



Built-in Coffee Machine



Built-in Coffee Machine with Home Connect® BCM8450UC

- Prepare Espresso, Cappuccino, Latte Macchiato & More in Minutes
- Brew Coffee from Anywhere in Your Home with the Home Connect® App
- Consistent Brewing Temperature for a Better Tasting Coffee
- Prepare Your Favorite Cup of Coffee with the Simple Touch of a Button
- MyFavorites Stores up to 8 of Your Favorite Coffee Preferences



Built-in Coffee Machine with Home Connect®

Stainless Steel – BCM8450UC

General Properties

| | |
|------------------------|--|
| Modes | Caffé Latte, Cappuccino, Coffee, Espresso, Espresso Macchiato, Latte Macchiato, Ristretto, Hot Water, Warm Milk, Steam Clean, Clean, Descaling |
| Settings | One or two cups, adjustable cup sizes, brewing temperature, coffee strength, grind adjustment |
| Programming | Home Connect®, personalized beverages, remote settings, language, light and display brightness, water hardness, temperature, time, key sounds, demo, child-proof lock |
| Home Connect® features | Remote start, additional beverage options, adjustable settings, remote warnings, reminders, CoffeeWorld, coffee playlist, coffee recipes, remote diagnosis, tips and tricks videos, use and care manual, shop online |
| Sensor alerts | Water level, bean container, drip tray, coffee grounds |

Design Elements

| | |
|---------------------|--------------------------|
| Display | Large color touch screen |
| Selection dial | Stainless steel ring |
| Beverage dispenser | Adjustable |
| Double cup settings | Yes |
| Display brightness | Adjustable |
| Light brightness | Adjustable |
| Flush installation | Yes |
| Container access | Front door |

Capacity

| | |
|--------------------------------|------------|
| Capacity of water container | 5/8 gallon |
| Bean container | 1 lb. |
| Stainless steel milk container | 17 oz. |
| Powder coffee | 1 Scoop |

Technical Details

| | |
|---------------------------|--------------------|
| Watts | 1,600 W |
| Circuit breaker | 15 A |
| Current, Volts, Frequency | 10 A, 120 V, 60 Hz |
| Power cord length | 39" |
| Plug type | 120V-3 prong |
| Energy source | Electric |
| Pump pressure | 275 psi (19 bar) |
| Grinding system | Ceramic disks |
| Cleaning system | Automatic |
| Milk clean system | Steam |

Dimensions & Weight

| | |
|---|---|
| Overall appliance dimensions (HxWxD) (not including transformer) | 23 3/8" W x 17 7/8" H x 14" D |
| Net weight | 43 lbs (Weight of appliance only without transformer) |
| Transformer weight | 27.5 lbs |

Accessories – Included

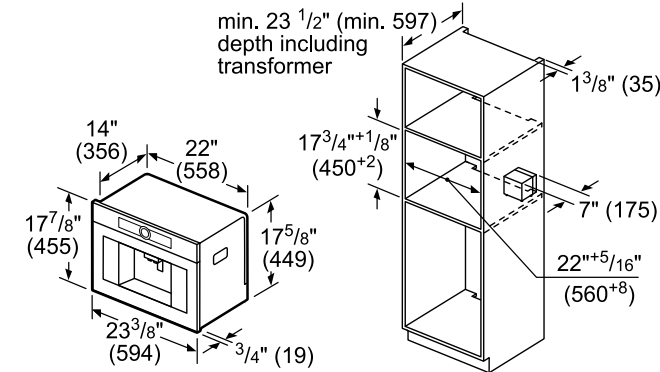
Stainless steel milk container, powder coffee scoop, 1 water hardness test strip

Optional Accessories

| | | | | | |
|---|---|-----------------------------------|--------------------------------------|-------------------------------------|---------------------------------|
| HEZCMT3050 30" Stainless Steel Trim Kit | 11005967 Stainless Steel Milk Container | 11015223 Bean Container | 00312093 Descaling Tablets | 00312096 Cleaning Tablets | 12008246 Water Filter |
|---|---|-----------------------------------|--------------------------------------|-------------------------------------|---------------------------------|

Built-in Coffee Machine

Product Dimensions and Installation



Bean and water reservoir are removed to the front. Recommended installation height 37 1/2"-57" (95-145 cm).

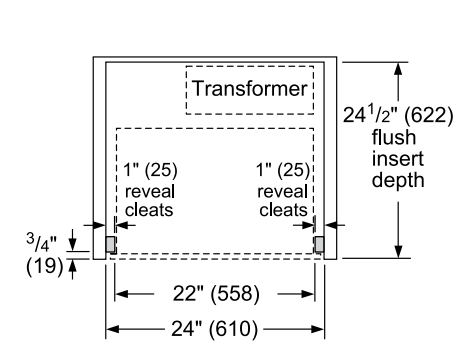
measurements in inches (mm)

Design Tip

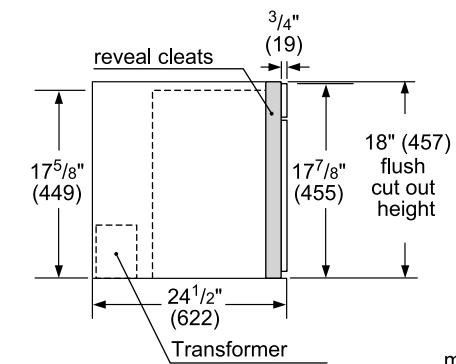
The Bosch Built-in Coffee Machine and 30" Trim Kit pair perfectly with a Bosch Warming Drawer. 30" Warming Drawer – HWD5051UC

Flush Installation

Top View

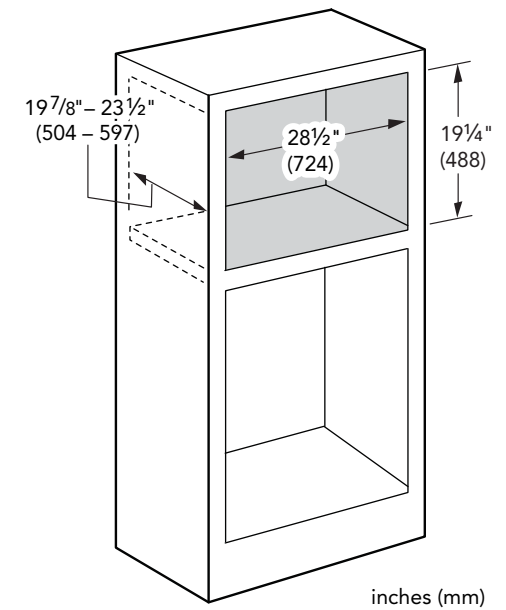
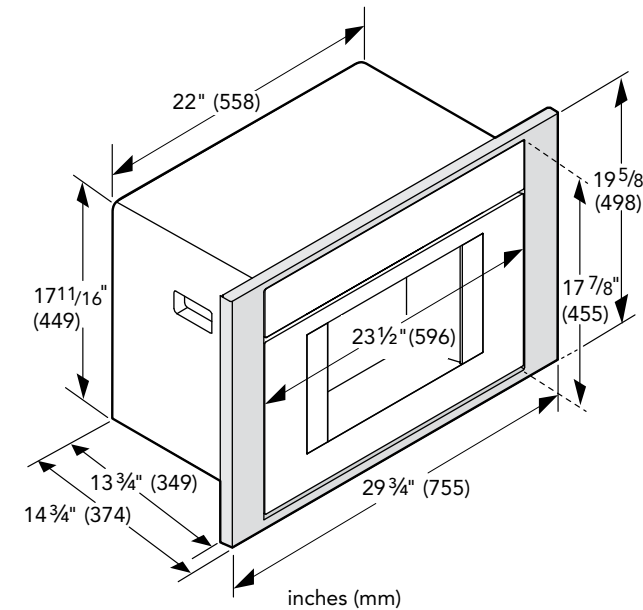


Side View



measurements in inches (mm)

Cutout Dimensions with Optional Trim Kit HEZCMT3050





Ranges

Bosch ranges combine beautiful design and function to serve as the kitchen's daily companion. Every model is engineered for precision and reliability.

Our slide-in ranges are available in induction, gas, dual-fuel, and electric, and offer features that provide speed and efficiency. Select ovens feature Convection Multi-Rack for even browning and time savings by using multiple racks at one time, while innovative technology like induction makes cooking easier.

Our industrial-style freestanding ranges feature bold, heavy duty die-cast metal control knobs as well as pedestal feet to make a beautiful focal point in any kitchen.



Benchmark™ Series Slide-in Ranges

include these features:



Slide-in Design

Our convenient, slide-in design lends an instant, built-in look to any kitchen.



QuietClose® Doors

On our Benchmark™ Series, QuietClose® doors never slam shut, instead closing smoothly and effortlessly for stress-free cooking.



Convection Multi-Rack

The dual-fuel, electric and induction ranges feature Convection Multi-Rack, which combines a third heating element with a back fan for even browning and time savings by using multiple racks at one time.



Faster Cooking

Induction offers faster cooking and more precise temperature control, resulting in greater speed and efficiency.



Ultimate Flexibility

With five elements, including a 12" 3,000-watt triple-ring heating element, our Benchmark™ Series electric range gives you the ultimate flexibility when cooking.



Dual-Stacked Burner

Our gas and dual-fuel ranges feature a powerful 20,000 BTU center, dual-stacked burner that delivers faster boiling and low simmering for greater cooking flexibility.



Benchmark™ Series Induction & Electric Slide-in Ranges



HIIP057U (Induction)

- Full-Depth Slide-in Range
- + FlexInduction®
- + QuietClose® Door
- SpeedBoost®
- Convection Multi-Rack
- Temperature Probe
- Warming Drawer
- + Telescopic Rack



HEIP056U (Electric)

- Full-Depth Slide-in Range
- + 12" 3,000-Watt Triple-Ring Element
- 9.5" 3,200- / 1,100-Watt Versatile Element
- + QuietClose® Door
- + Telescopic Rack
- Convection Multi-Rack
- + Temperature Probe
- Warming Drawer

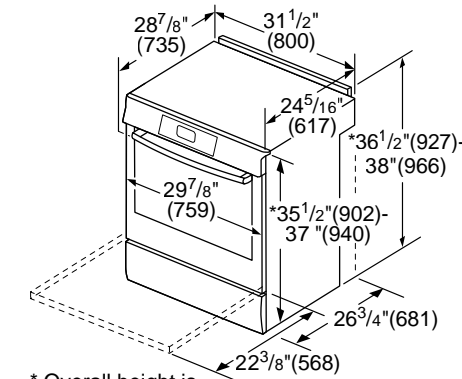
+ Indicates a step-up feature

| | Induction | Electric |
|--|----------------------------|----------------------------|
| | Stainless Steel – HIIP057U | Stainless Steel – HEIP056U |

| General Properties | | |
|--|--|--|
| Cooking modes | Bake, Variable Broil (Hi & Low), Roast, Warm, Proof Dough, Convection Bake, Convection Broil, Convection Roast, Convection Multi-Rack, Convection Conversion, Pizza, Fast Preheat, Sabbath | Bake, Variable Broil (Hi & Low), Roast, Warm, Proof Dough, Convection Bake, Convection Broil, Convection Roast, Convection Multi-Rack, Convection Conversion, Pizza, Fast Preheat, Sabbath |
| Cleaning type | Self clean | Self clean |
| Knob material | – | Metal |
| Interior lights | 2 | 2 |
| Kitchen timer | Yes | Yes |
| Drawer type | Warming drawer | Warming drawer |
| Oven Performance | | |
| Bake / broil element watts | 2,400 / 3,800 W | 2,400 / 3,800 W |
| Convection element watts | 2,000 W | 2,000 W |
| Element Performance | | |
| Total number of cooktop elements | 4 | 5 |
| Power of front left element watts | 2,200 W (3,600 w/boost) | 1,050 / 1,950 / 3,000 W |
| Power of back left element watts | 2,200 W (3,600 w/boost) | 1,200 W |
| Power of center element watts | – | 100 W |
| Power of back right element watts | 2,600 W (3,700 w/boost) | 1,200 W |
| Power of front right element watts | 1,400 W (2,200 w/boost) | 1,100 / 3,200 W |
| Element Size | | |
| Dimension of FlexInduction® zone | 16" x 9" | – |
| Dimension of front left heating element | 8" x 9" | 6" / 9" / 12" |
| Dimension of back left heating element | 8" x 9" | 6" |
| Dimension of center heating element | – | 6" |
| Dimension of back right heating element | 11" | 6" |
| Dimension of front right heating element | 6" | 9.5" |
| Technical Details | | |
| Watts | 11,700 / 14,000 W | 11,300 / 14,800 W |
| Circuit breaker | 40 A | 40 A |
| Volts; Frequency | 208 V / 240 V; 60 Hz | 208 V / 240 V; 60 Hz |
| Plug type / Cord length | Fixed connection (no plug) | Fixed connection (no plug) |
| Energy source | Electric | Electric |
| Dimensions & Weight | | |
| Overall appliance dimensions (HxWxD) | 36 1/2" – 38" x 31 1/2" x 28 7/8" | 36 1/2" – 38" x 31 1/2" x 28 7/8" |
| Required cutout size (HxWxD) | 35 1/2" – 37" x 30" x 25" | 35 1/2" – 37" x 30" x 25" |
| Adjustable range height | 1 1/2" | 1 1/2" |
| Oven cavity size | 4.6 cu. ft. | 4.6 cu. ft. |
| Overall oven interior dimensions (HxWxD) | 17 13/16" x 24 1/8" x 18" | 17 13/16" x 24 1/8" x 18" |
| Usable oven interior dimensions (HxWxD) | 12 5/16" x 23 1/4" x 15 1/4" | 12 5/16" x 23 1/4" x 15 1/4" |
| Net weight | 239 lbs | 229 lbs |

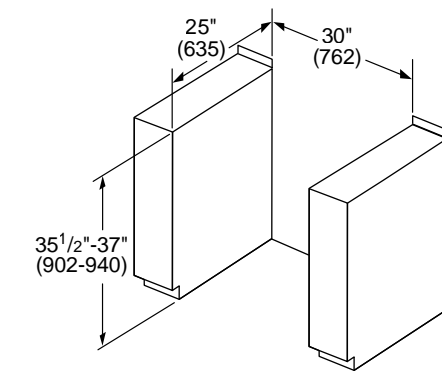
Benchmark™ Series Induction & Electric Slide-in Ranges

Induction & Electric Range Dimensions



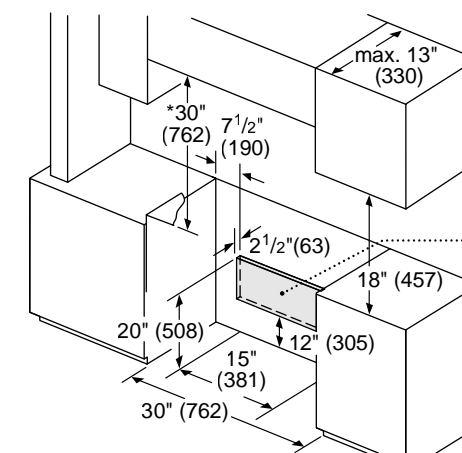
* Overall height is adjustable via leveling legs.
 measurements in inches (mm)

Induction & Electric Range Cutout Dimensions



measurements in mm

Induction & Electric Range Installation



* Minimum clearance of 30" required to overhead combustible surface. If installing overhead vent or over-the-range microwave, refer to clearances provided with these products.

measurements in inches (mm)

Accessories – Included

Use and care manual, installation guide, temperature probe, 2 standard racks, 1 telescopic rack

Optional Accessories



Benchmark™ Series Dual-Fuel Slide-in Range



HDIP056U (Dual-Fuel)

- Full-Depth Slide-in Range
- 5 Burners
- + 20,000 BTU Dual-Stacked Burner
- Convection Multi-Rack
- + QuietClose® Door
- + Telescopic Rack
- Temperature Probe
- Warming Drawer
- 4.6 cu. ft.
- + 2 Oven Lights

+ Indicates a step-up feature

Dual-Fuel

Stainless Steel – HDIP056U

General Properties

| | |
|----------------|--|
| Cooking modes | Bake, Variable Broil (Hi & Low), Roast, Warm, Proof Dough, Convection Bake, Convection Broil, Convection Roast, Convection Multi-Rack, Convection Conversion, Pizza, Fast Preheat, Sabbath |
| Cleaning type | Self clean |
| Type of grate | Cast iron |
| Knob material | Metal |
| Interior light | 2 |
| Kitchen timer | Yes |
| Drawer type | Warming drawer |
| Sealed burners | Yes |

Oven Performance

| | |
|----------------------------|-------------------|
| Bake / broil element watts | 2,400 W / 3,800 W |
| Convection element watts | 2,000 W |

Burner Performance

| | |
|---------------------------------------|---------------------|
| Total number of cooktop burners | 5 |
| Total cooktop (NG / LP) | 55,000 / 48,500 BTU |
| Power of front left burner (NG / LP) | 10,000 / 8,000 BTU |
| Power of back left burner (NG / LP) | 5,000 / 5,000 BTU |
| Power of center burner (NG / LP) | 20,000 / 17,000 BTU |
| Power of back right burner (NG / LP) | 5,000 / 5,000 BTU |
| Power of front right burner (NG / LP) | 15,000 / 13,500 BTU |

Technical Details

| | |
|-------------------------|----------------------------|
| Watts | 4,800 / 6,400 W |
| Circuit breaker | 30 A |
| Volts | 208 V / 240 V |
| Frequency | 60 Hz |
| Plug type / Cord length | Fixed connection (no plug) |
| Energy source | Mixed electric / gas |
| Gas type | Natural gas 15 mbar (USA) |
| Alternative gas type | LP 27.5 mbar (USA) |

Dimensions & Weight

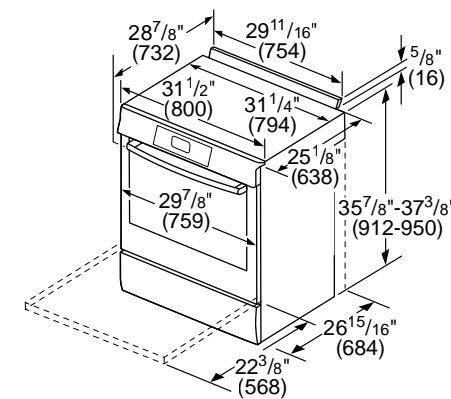
| | |
|--|-----------------------------------|
| Overall appliance dimensions (HxWxD) | 36 1/2" – 38" x 31 1/2" x 28 7/8" |
| Required cutout size (HxWxD) | 35 1/2" – 37" x 30" x 25" |
| Adjustable range height | 1 1/2" |
| Oven cavity size | 4.6 cu. ft. |
| Overall oven interior dimensions (HxWxD) | 17 13/16" x 24 1/8" x 18" |
| Usable oven interior dimensions (HxWxD) | 12 5/16" x 23 1/4" x 15 1/4" |
| Net weight | 227 lbs |

Accessories – Included

| | |
|----------|--|
| Included | Use and care manual, installation guide, temperature probe, LP conversion kit, 2 standard racks, 1 telescopic rack |
|----------|--|

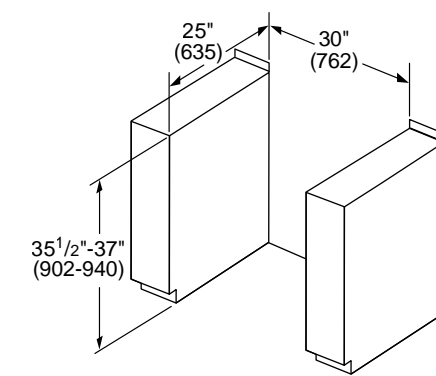
Benchmark™ Series Dual-Fuel Slide-in Range

Dual-Fuel Range Dimensions



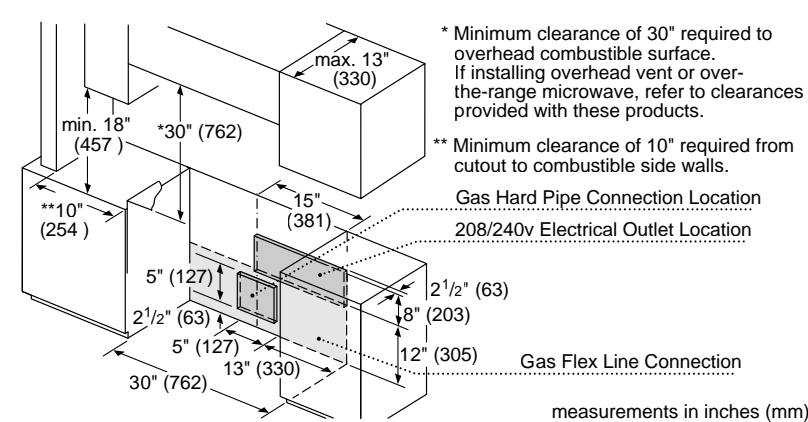
measurements in inches and (mm)

Dual-Fuel Range Cutout Dimensions



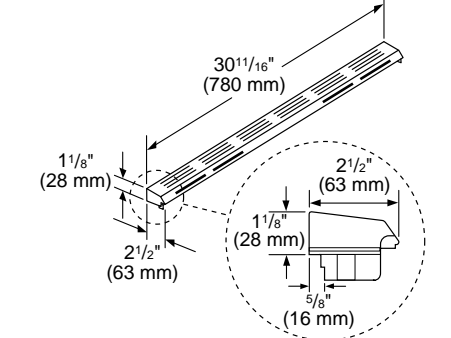
measurements in mm

Dual-Fuel Range Installation



measurements in inches (mm)

Island Trim – Dual-Fuel Range



Measurements in inches

Optional Accessories

- HEZTR301** 30" Telescopic Rack
- HDZBS301** 4" Low Backguard, Dual-Fuel (Stainless Steel)
- HEZGR301** Griddle
- HEZ298102** Wok Ring
- HDZIT301** Island Trim for Island Applications, Dual-Fuel (Stainless Steel)



Benchmark™ Series Gas Slide-in Range



HGIP056UC (Gas)

- Full-Depth Slide-in Range
- 5 Burners
- + 20,000 BTU Dual-Stacked Burner
- + QuietClose® Door
- + Telescopic Rack
- Fan Convection
- + Temperature Probe
- Warming Drawer
- 4.8 cu. ft.
- + 2 Oven Lights

+ Indicates a step-up feature

| Gas |
|-----------------------------|
| Stainless Steel – HGIP056UC |

General Properties

| | |
|----------------|---|
| Cooking modes | Bake, Variable Broil (Hi & Low), Roast, Warm, Proof Dough, Convection Bake, Convection Roast, Convection Conversion, Pizza, Sabbath |
| Cleaning type | Self clean |
| Type of grate | Cast iron |
| Knob material | Metal |
| Interior light | 2 |
| Kitchen timer | Yes |
| Drawer type | Warming drawer |
| Sealed burners | Yes |

Oven Performance

| | |
|----------------------------|---------------------|
| Bake / broil burner power | 18,000 / 12,500 BTU |
| Bake / broil element watts | - |
| Convection element watts | - |

Burner Performance

| | |
|---------------------------------------|---------------------|
| Total number of cooktop burners | 5 |
| Total cooktop (NG / LP) | 55,000 / 48,500 BTU |
| Power of front left burner (NG / LP) | 10,000 / 8,000 BTU |
| Power of back left burner (NG / LP) | 5,000 / 5,000 BTU |
| Power of center burner (NG / LP) | 20,000 / 17,000 BTU |
| Power of back right burner (NG / LP) | 5,000 / 5,000 BTU |
| Power of front right burner (NG / LP) | 15,000 / 13,500 BTU |

Technical Details

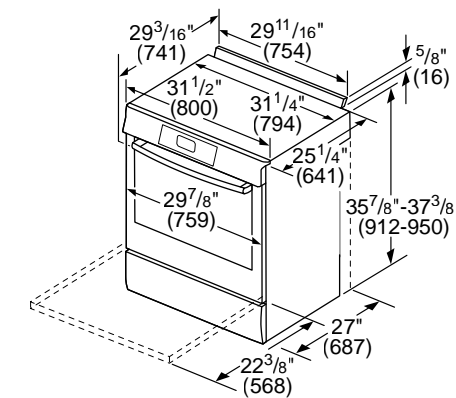
| | |
|----------------------|---------------------------|
| Circuit breaker | 15 A |
| Volts | 120 V |
| Frequency | 60 Hz |
| Plug type | US 3-prong |
| Cord length | 78" |
| Energy source | Gas |
| Gas type | Natural gas 15 mbar (USA) |
| Alternative gas type | LP 27.5 mbar (USA) |

Dimensions & Weight

| | |
|--|------------------------------------|
| Overall appliance dimensions (HxWxD) | 36 1/2" – 38" x 31 1/2" x 29 3/16" |
| Required cutout size (HxWxD) | 35 1/2" – 37" x 30" x 25 1/4" |
| Adjustable range height | 1 1/2" |
| Oven cavity size | 4.8 cu. ft. |
| Overall oven interior dimensions (HxWxD) | 17 13/16" x 24 1/8" x 18" |
| Usable oven interior dimensions (HxWxD) | 11 1/2" x 23 1/4" x 15 1/4" |
| Net weight | 228 lbs |

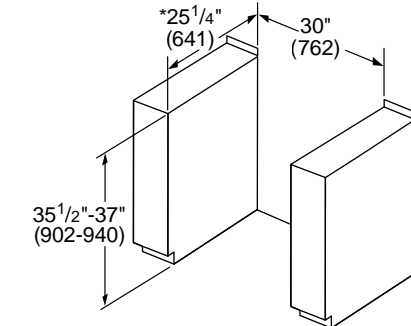
Benchmark™ Series Gas Slide-in Range

Gas Range Dimensions



measurements in inches and (mm)

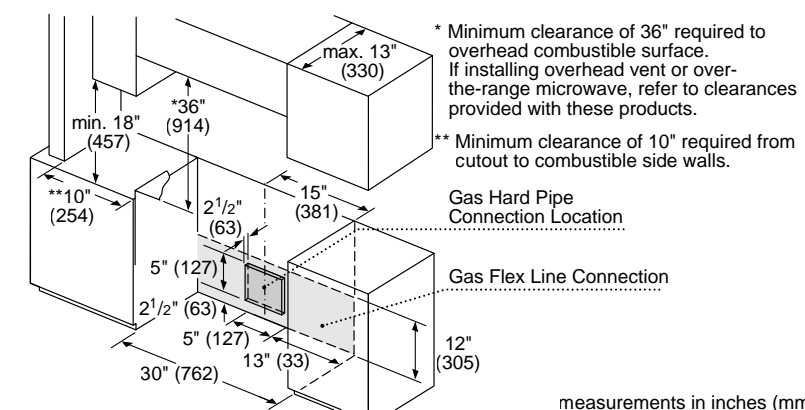
Gas Range Cutout Dimensions



* For island installation with island trim (HGZIT301), use a cutout depth of 25 3/8" (645)

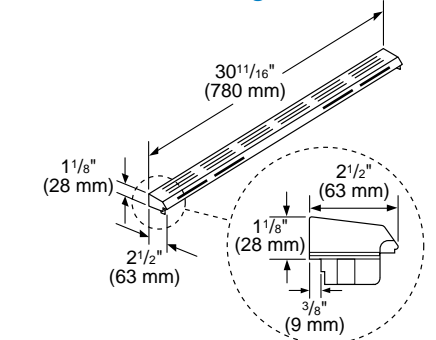
measurements in inches and (mm)

Gas Range Installation



measurements in inches (mm)

Island Trim – Gas Range

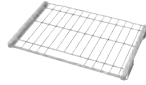






Measurements in inches

Accessories – Included

| | |
|----------|--|
| Included | Use and care manual, installation guide, temperature probe, LP conversion kit, 2 standard racks, 1 telescopic rack |
|----------|--|

Optional Accessories

| | | | | |
|--|--|---|---|---|
|  |  |  |  |  |
| HEZTR301 30" Telescopic Rack | HGZBS301 4" Low Backguard, Gas (Stainless Steel) | HEZGR301 Griddle | HEZ298102 Wok Ring | HGZIT301 Island Trim for Island Applications, Gas (Stainless Steel) |



800 Series Induction & Electric Slide-in Ranges



Induction
HII8057U (Stainless Steel)
HII8047U (Black Stainless Steel)

- Full-Depth Slide-in Range
- Precise, Fast and Efficient Cooking
- SpeedBoost®
- Convection Multi-Rack
- Temperature Probe
- Warming Drawer
- 4.6 cu. ft.

Black
Stainless Steel



Electric
HEI8056U (Stainless Steel)
HEI8046U (Black Stainless Steel)

- Full-Depth Slide-in Range
- 6" / 9" 3,000-Watt Dual-Ring Element
- 9.5" 3,200- / 1,100-Watt Versatile Element
- 4 Elements + 1 Warming Zone
- Convection Multi-Rack
- Warming Drawer
- 4.6 cu. ft.

Black
Stainless Steel

| Induction | Electric |
|----------------------------------|----------------------------------|
| Stainless Steel – HII8057U | Stainless Steel – HEI8056U |
| Black Stainless Steel – HII8047U | Black Stainless Steel – HEI8046U |

General Properties

| | | |
|----------------|--|--|
| Cooking modes | Bake, Variable Broil (Hi & Low), Roast, Warm, Proof Dough, Convection Bake, Convection Broil, Convection Roast, Convection Multi-Rack, Convection Conversion, Pizza, Fast Preheat, Sabbath | Bake, Variable Broil (Hi & Low), Roast, Warm, Proof Dough, Convection Bake, Convection Broil, Convection Roast, Convection Multi-Rack, Convection Conversion, Pizza, Fast Preheat, Sabbath |
| Cleaning type | Self clean | Self clean |
| Knob material | – | Metal |
| Interior light | 1 | 1 |
| Kitchen timer | Yes | Yes |
| Drawer type | Warming drawer | Warming drawer |

Oven Performance

| | | |
|----------------------------|-----------------|-----------------|
| Bake / broil element watts | 2,400 / 3,800 W | 2,400 / 3,800 W |
| Convection element watts | 2,000 W | 2,000 W |

Element Performance

| | | |
|------------------------------------|-------------------------|-----------------|
| Total number of cooktop elements | 4 | 5 |
| Power of front left element watts | 1,400 W (2,200 w/boost) | 1,400 / 3,000 W |
| Power of back left element watts | 2,200 W (3,700 w/boost) | 1,200 W |
| Power of center element watts | – | 100 W |
| Power of back right element watts | 2,600 W (3,700 w/boost) | 1,200 W |
| Power of front right element watts | 1,400 W (2,200 w/boost) | 1,100 / 3,200 W |

Element Size

| | | |
|--|-----|---------|
| Dimension of front left heating element | 6" | 6" / 9" |
| Dimension of back left heating element | 9" | 6" |
| Dimension of center heating element | – | 6" |
| Dimension of back right heating element | 11" | 6" |
| Dimension of front right heating element | 6" | 9.5" |

Technical Details

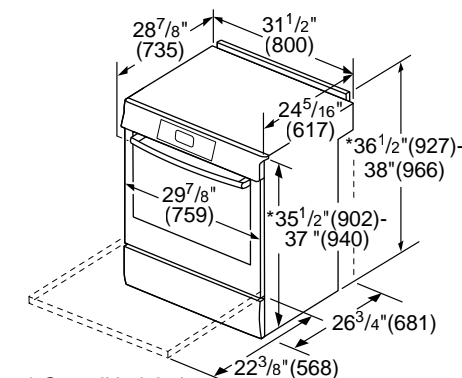
| | | |
|-------------------------|----------------------------|----------------------------|
| Watts | 11,700 / 14,000 W | 11,300 / 14,800 W |
| Circuit breaker | 40 A | 50 A |
| Volts; Frequency | 208 V / 240 V; 60 Hz | 208 V / 240 V; 60 Hz |
| Plug type / Cord length | Fixed connection (no plug) | Fixed connection (no plug) |
| Energy source | Electric | Electric |

Dimensions & Weight

| | | |
|--|-----------------------------------|-----------------------------------|
| Overall appliance dimensions (HxWxD) | 36 1/2" – 38" x 31 1/2" x 28 7/8" | 36 1/2" – 38" x 31 1/2" x 28 7/8" |
| Required cutout size (HxWxD) | 35 1/2" – 37" x 30" x 25" | 35 1/2" – 37" x 30" x 25" |
| Adjustable range height | 1 1/2" | 1 1/2" |
| Oven cavity size | 4.6 cu. ft. | 4.6 cu. ft. |
| Overall oven interior dimensions (HxWxD) | 17 13/16" x 24 1/8" x 18" | 17 13/16" x 24 1/8" x 18" |
| Usable oven interior dimensions (HxWxD) | 12 5/16" x 23 1/4" x 15 1/4" | 12 5/16" x 23 1/4" x 15 1/4" |
| Net weight | 239 lbs | 229 lbs |

800 Series Induction & Electric Slide-in Ranges

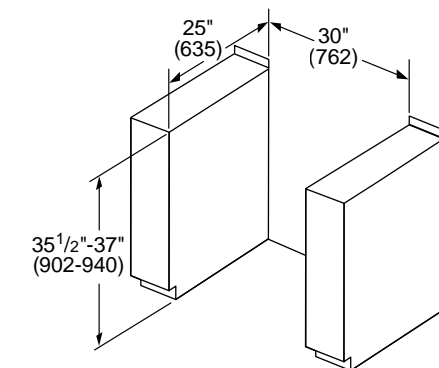
Induction & Electric Range Dimensions



* Overall height is adjustable via leveling legs.

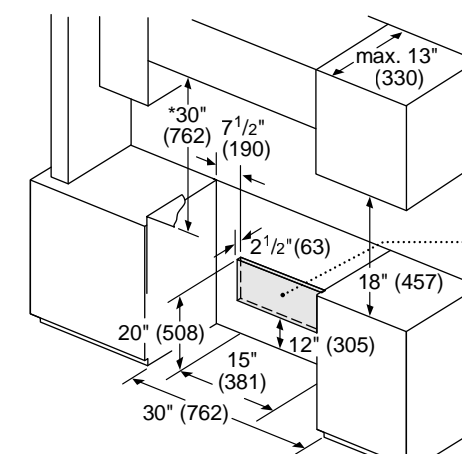
measurements in inches (mm)

Induction & Electric Range Cutout Dimensions



measurements in mm

Induction & Electric Range Installation



* Minimum clearance of 30" required to overhead combustible surface. If installing overhead vent or over-the-range microwave, refer to clearances provided with these products.

208/240v Electrical Outlet Location

measurements in inches (mm)

| Induction | Electric |
|----------------------------------|----------------------------------|
| Stainless Steel – HII8057U | Stainless Steel – HEI8056U |
| Black Stainless Steel – HII8047U | Black Stainless Steel – HEI8046U |

Accessories – Included

| | | |
|----------|--|---|
| Included | Use and care manual, installation guide, temperature probe, 3 standard racks | Use and care manual, installation guide, 3 standard racks |
|----------|--|---|

Optional Accessories



800 Series Dual-Fuel Slide-in Range



HDI8056U (Dual-Fuel)

- Full-Depth Slide-in Range
- 18,000 BTU Burner
- 5 Burners
- Convection Multi-Rack
- Temperature Probe
- Warming Drawer
- 4.6 cu. ft.

Dual-Fuel

Stainless Steel – HDI8056U

General Properties

| | |
|----------------|--|
| Cooking modes | Bake, Variable Broil (Hi & Low), Roast, Warm, Proof Dough, Convection Bake, Convection Broil, Convection Roast, Convection Multi-Rack, Convection Conversion, Pizza, Fast Preheat, Sabbath |
| Cleaning type | Self clean |
| Type of grate | Cast iron |
| Knob material | Metal |
| Interior light | 1 |
| Kitchen timer | Yes |
| Drawer type | Warming drawer |
| Sealed burners | Yes |

Oven Performance

| | |
|----------------------------|-----------------|
| Bake / broil element watts | 2,400 / 3,800 W |
| Convection element watts | 2,000 W |

Burner Performance

| | |
|---------------------------------------|---------------------|
| Total number of cooktop burners | 5 |
| Total cooktop (NG / LP) BTU | 53,000 / 44,000 BTU |
| Power of front left burner (NG / LP) | 10,000 / 8,000 BTU |
| Power of back left burner (NG / LP) | 5,000 / 5,000 BTU |
| Power of center burner (NG / LP) | 18,000 / 12,500 BTU |
| Power of back right burner (NG / LP) | 5,000 / 5,000 BTU |
| Power of front right burner (NG / LP) | 15,000 / 13,500 BTU |

Technical Details

| | |
|-------------------------|----------------------------|
| Watts | 4,800 / 6,400 W |
| Circuit breaker | 30 A |
| Volts | 208 V / 240 V |
| Frequency | 60 Hz |
| Plug type / Cord length | Fixed connection (no plug) |
| Energy source | Mixed electric / gas |
| Gas type | Natural gas 15 mbar (USA) |
| Alternative gas type | LP 27.5 mbar (USA) |

Dimensions & Weight

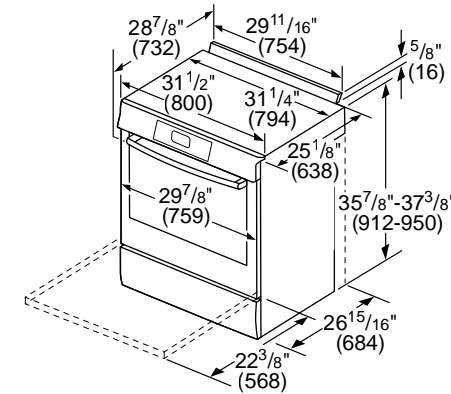
| | |
|--|-----------------------------------|
| Overall appliance dimensions (HxWxD) | 36 1/2" – 38" x 31 1/2" x 28 7/8" |
| Required cutout size (HxWxD) | 35 1/2" – 37" x 30" x 25" |
| Adjustable range height | 1 1/2" |
| Oven cavity size | 4.6 cu. ft. |
| Overall oven interior dimensions (HxWxD) | 17 13/16" x 24 1/8" x 18" |
| Usable oven interior dimensions (HxWxD) | 12 5/16" x 23 1/4" x 15 1/4" |
| Net weight | 227 lbs |

Accessories – Included

| | |
|----------|---|
| Included | Use and care manual, installation guide, temperature probe, LP conversion kit, 3 standard racks |
|----------|---|

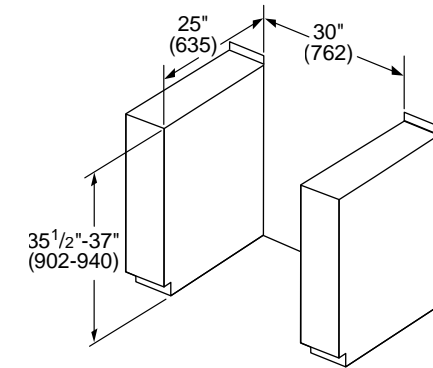
800 Series Dual-Fuel Slide-in Range

Dual-Fuel Range Dimensions



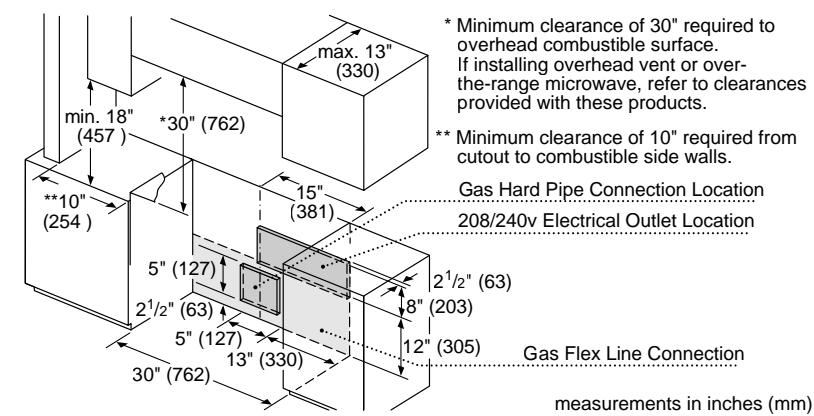
measurements in inches and (mm)

Dual-Fuel Cutout Dimensions

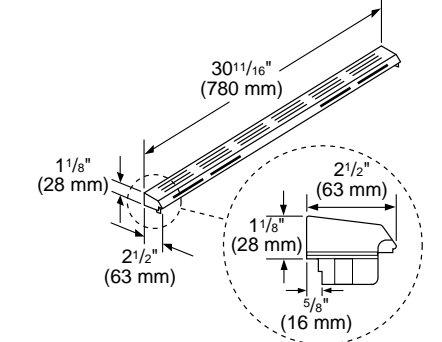


measurements in mm

Dual-Fuel Range Installation



Island Trim – Dual-Fuel Range



Measurements in inches

Optional Accessories

- HEZTR301** 30" Telescopic Rack
- HDZBS301** 4" Low Backguard, Dual-Fuel (Stainless Steel)
- HEZGR301** Griddle
- HEZ298102** Wok Ring
- HDZIT301** Island Trim for Island Applications, Dual-Fuel (Stainless Steel)

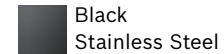


800 Series Gas Slide-in Ranges



Gas
HGI8056UC (Stainless Steel)
HGI8046UC (Black Stainless Steel)

- Full-Depth Slide-in Range
- 18,000 BTU Burner
- 5 Burners
- Heavy-duty Metal Knobs
- Warming Drawer
- 4.8 cu. ft.



| Gas | |
|-----------------------------------|--|
| Stainless Steel – HGI8056UC | |
| Black Stainless Steel – HGI8046UC | |

| General Properties | |
|--------------------|---|
| Cooking modes | Bake, Variable Broil (Hi & Low), Roast, Warm, Proof Dough, Convection Bake, Convection Roast, Convection Conversion, Pizza, Sabbath |
| Cleaning type | Self clean |
| Type of grate | Cast iron |
| Knob material | Metal |
| Interior light | 1 |
| Kitchen timer | Yes |
| Drawer type | Warming drawer |
| Sealed burners | Yes |

| Oven Performance | |
|---------------------------|---------------------|
| Bake / broil burner power | 18,000 / 12,500 BTU |

| Burner Performance | |
|---------------------------------------|---------------------|
| Total number of cooktop burners | 5 |
| Total cooktop (NG / LP) | 53,000 / 46,500 BTU |
| Power of front left burner (NG / LP) | 10,000 / 8,000 BTU |
| Power of back left burner (NG / LP) | 5,000 / 5,000 BTU |
| Power of center burner (NG / LP) | 18,000 / 15,000 BTU |
| Power of back right burner (NG / LP) | 5,000 / 5,000 BTU |
| Power of front right burner (NG / LP) | 15,000 / 13,500 BTU |

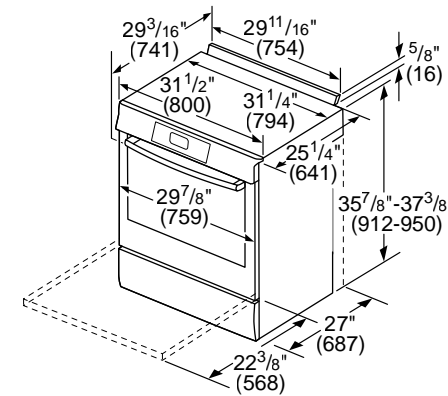
| Technical Details | |
|----------------------|---------------------------|
| Circuit breaker | 15 A |
| Volts | 120 V |
| Frequency | 60 Hz |
| Plug type | US 3-prong |
| Cord length | 78" |
| Energy source | Gas |
| Gas type | Natural gas 15 mbar (USA) |
| Alternative gas type | LP 27.5 mbar (USA) |

| Dimensions & Weight | |
|--|------------------------------------|
| Overall appliance dimensions (HxWxD) | 36 1/2" – 38" x 31 1/2" x 29 3/16" |
| Required cutout size (HxWxD) | 35 1/2" – 37" x 30" x 25 1/4" |
| Adjustable range height | 1 1/2" |
| Oven cavity size | 4.8 cu. ft. |
| Overall oven interior dimensions (HxWxD) | 17 13/16" x 24 1/8" x 18" |
| Usable oven interior dimensions (HxWxD) | 11 1/2" x 23 1/4" x 15 1/4" |
| Net weight | 228 lbs |

| Accessories – Included | |
|------------------------|--|
| Included | Use and care manual, installation guide, LP conversion kit, 3 standard racks |

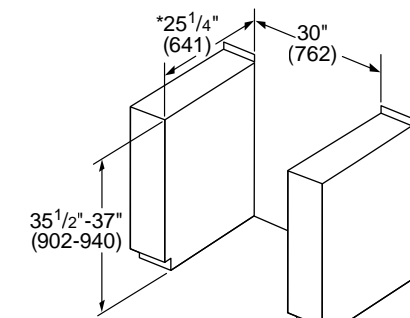
800 Series Gas Slide-in Ranges

Gas Range Dimensions



measurements in inches and (mm)

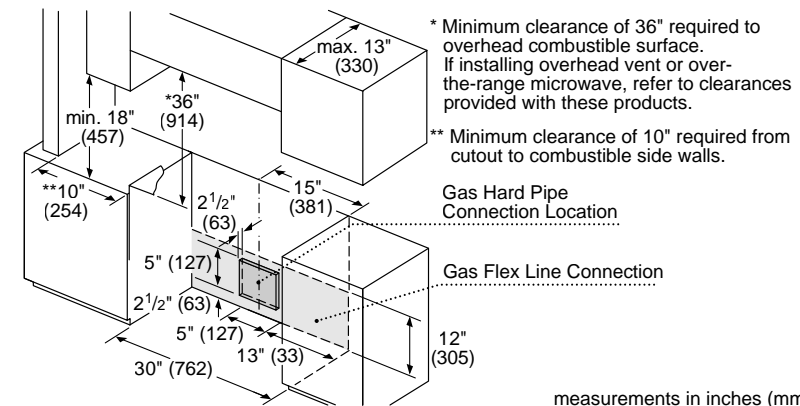
Gas Cutout Dimensions



* For island installation with island trim (HGZIT301), use a cutout depth of 25 3/8" (645)

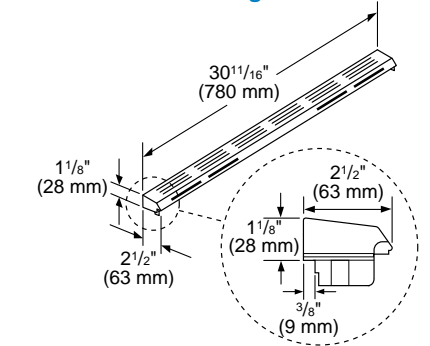
measurements in inches and (mm)

Gas Range Installation



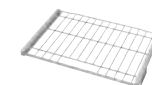
measurements in inches (mm)

Island Trim – Gas Range



Measurements in inches

Optional Accessories



HEZTR301
30" Telescopic Rack



HGZBS301
4" Low Backguard, Gas (Stainless Steel)



HEZGR301
Griddle



HEZ298102
Wok Ring



HGZIT301
Island Trim for Island Applications, Gas (Stainless Steel)





800 Series Industrial Style Ranges

include these features:



Dual-Flame Burner

Go from simmer to sear with ease. The dual-flame power burner has two rings for low and high flame settings. Heat level 1-3 uses the inner ring, and 4-9 uses both rings for maximum heat.



Front Control Knobs

Bosch industrial-style ranges bring convenience and sophistication to the kitchen with die-cast metal, front-control knobs.



Industrial-chic Design

The bold freestanding design with pedestal feet and heavy-duty knobs makes the industrial-style range a focal point in any kitchen.



Easy-to-Clean Surface

Thanks to its porcelain coating, the black enameled cooking surface is quickly and easily cleaned, with more resistance to scratches, abrasion, heat and stains. (Gas and dual fuel only)



Edge-to-edge Frameless Surface

Our induction industrial style ranges feature a sleek edge-to-edge frameless surface for maximum cooking area and a streamlined look. (Induction only)



QuietClose® Doors

Our QuietClose® doors never slam shut, instead closing smoothly and effortlessly for stress-free cooking.



800 Series Industrial Style Induction Range



30" Induction 800 Series HIS8055U (Stainless Steel)

- Commercial-Inspired Design with 4 Induction Elements
- Frameless, Edge-to-edge Surface Glass Cooktop
- Convection Multi-Rack
- Precise, Fast and Efficient Cooking
- SpeedBoost®
- QuietClose® Door
- Easy to View, Ergonomic Tilted Display
- Temperature Probe

Induction

HIS8055U – Stainless Steel

General Properties

| | |
|-----------------|---|
| Cooking modes | Bake, Convection Bake, Broil, Convection Broil, Convection Roast, Pizza, Proof, Convection Multi-Rack, Sabbath Mode |
| Cleaning type | Catalytic cleaning |
| Type of surface | Ceramic glass |
| Knob material | Metal |
| Interior light | 1 |
| Kitchen timer | Yes |

Oven Performance

| | |
|----------------------------|-----------------|
| Bake / broil element watts | 1,700 / 2,900 W |
| Convection element watts | 2,700 W |

Element Performance

| | |
|------------------------------------|--------------------------|
| Total induction elements | 4 |
| Power of back left element watts | 1,400 W (2,200 w/ boost) |
| Power of front left element watts | 2,300 W (3,700 w/ boost) |
| Power of front right element watts | 2,300 W (3,700 w/ boost) |
| Power of back right element watts | 1,850 W (3,000 w/ boost) |

Technical Details

| | |
|-------------------------|----------------------------|
| Watts | 8,000 W |
| Circuit breaker | 40 A |
| Volts | 208 V / 240 V |
| Frequency | 60 Hz |
| Plug type / Cord length | Fixed connection (no plug) |
| Energy source | Electric |

Dimensions & Weight

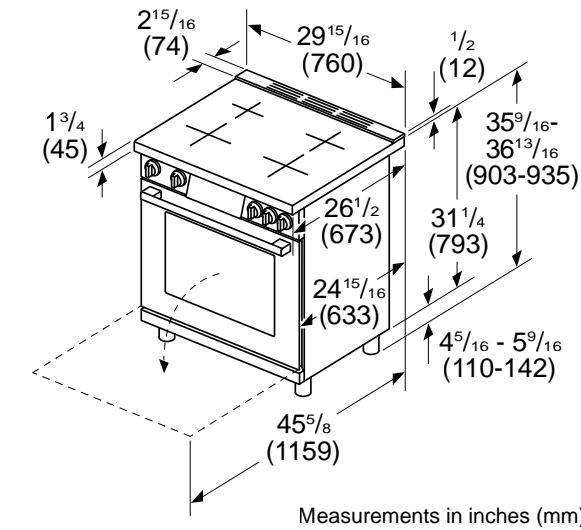
| | |
|--|--|
| Overall appliance dimensions (HxWxD) | 36" x 29 15/16" x 24 15/16" (26 1/2" with bull nose) |
| Required cutout size (HxWxD) | 36" x 30" x 25" |
| Adjustable range height | 35 9/16" Min. – 36 13/16" Max. |
| Oven cavity size | 3.9 cu. ft. |
| Overall oven interior dimensions (HxWxD) | 17 9/8" x 24 1/3" x 18 9/8" |
| Usable oven interior dimensions (HxWxD) | 17 5/16" x 22 13/16" x 17 1/8" |
| Net weight | 212 lbs |

Accessories – Included

| | |
|----------|--|
| Included | Use and care manual, installation guide, temperature probe, 2 standard racks |
|----------|--|

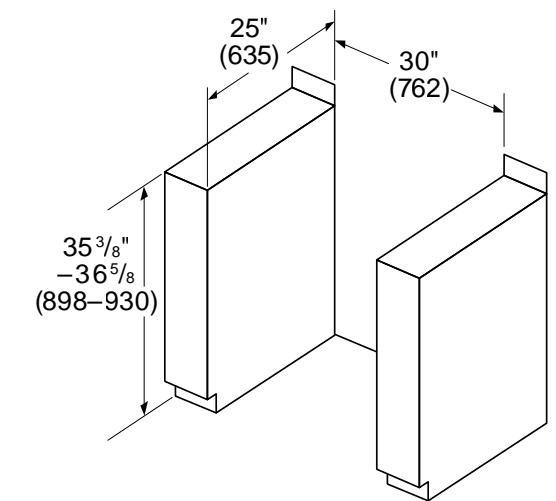
800 Series Industrial Style Induction Range

Industrial Style Range Dimensions

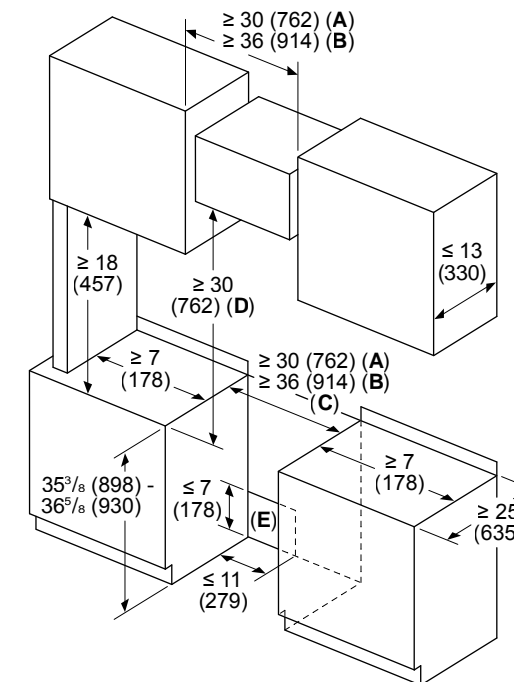


Measurements in inches (mm)

Industrial Style Range Cutout Dimensions



Industrial Style Range Installation



- A:** Installation parameters for the 36" width appliance
 - B:** Installation parameters for the 30" width appliance
 - C:** Zero clearance between adjacent combustible construction below the countertop surface and sides of the appliance
 - D:** Clearance between the top of the cooking surface and the bottom of the unprotected wood or metal surface
 - E:** Grounded outlet
- From cooking surface to side materials: no clearance is required from unit walls to adjacent vertical combustible walls on rear, right or left

Measurements in inches (mm)

Optional Accessories



HEZ390230
10" AutoChef® Pan
for 8" and 9" Elements



HEZ9YZ04UC
Side Panel Extension Kit
Stainless Steel



HEZ9TK30UC
30" Toe Kick
Stainless Steel



HEZ9LLUC
Metal Pedestal Feet
Set of 4, Stainless Steel



800 Series Industrial Style Induction Range



**36" Induction 800 Series
HIS8655U (Stainless Steel)**

- Commercial-Inspired Design with 5 Induction Elements
- Frameless, Edge-to-edge Surface Glass Cooktop
- Convection Multi-Rack
- Precise, Fast and Efficient Cooking
- + Combi Zone™
- Bosch's Most Powerful 5,500W Element
- QuietClose® Door
- + Telescopic Rack
- Easy to View, Ergonomic Tilted Display
- Temperature Probe

| Induction | |
|-----------|----------------------------|
| | HIS8055U – Stainless Steel |

General Properties

| | |
|-----------------|---|
| Cooking modes | Bake, Convection Bake, Broil, Convection Broil, Convection Roast, Pizza, Proof, Convection Multi-Rack, Sabbath Mode |
| Cleaning type | Catalytic cleaning |
| Type of surface | Ceramic glass |
| Knob material | Metal |
| Interior light | 1 |
| Kitchen timer | Yes |

Oven Performance

| | |
|----------------------------|-----------------|
| Bake / broil element watts | 1,700 / 2,900 W |
| Convection element watts | 2,500 W |

Element Performance

| | |
|---|--------------------------|
| Total induction elements | 5 |
| Power of back left element watts | 1,850 W (3,000 w/ boost) |
| Power of front left element watts | 1,850 W (3,000 w/ boost) |
| Power of front right element watts | 2,300 W (3,700 w/ boost) |
| Power of back right element watts | 1,400 W (2,200 w/ boost) |
| Power of center element watts (1 generator) | 1,850 W (2,600 w/ boost) |
| Power of center element watts (both generators) | 3,000 W (5,500 w/ boost) |

Technical Details

| | |
|-------------------------|----------------------------|
| Watts | 8,400 W |
| Circuit breaker | 50 A |
| Volts | 208 V / 240 V |
| Frequency | 60 Hz |
| Plug type / Cord length | Fixed connection (no plug) |
| Energy source | Electric |

Dimensions & Weight

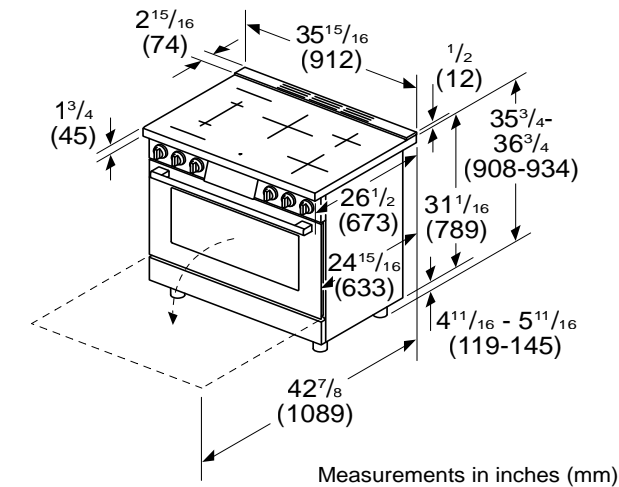
| | |
|--|--|
| Overall appliance dimensions (HxWxD) | 36" x 35 15/16" x 24 15/16" (26 1/2" with bull nose) |
| Required cutout size (HxWxD) | 36" x 36" x 25" |
| Adjustable range height | 35 3/4" Min. – 36 3/4" Max. |
| Oven cavity size | 3.7 cu. ft. |
| Overall oven interior dimensions (HxWxD) | 15 1/32" x 28 7/16" x 17 9/16" |
| Usable oven interior dimensions (HxWxD) | 14 9/16" x 26 15/16" x 16 1/8" |
| Net weight | 215 lbs |

Accessories – Included

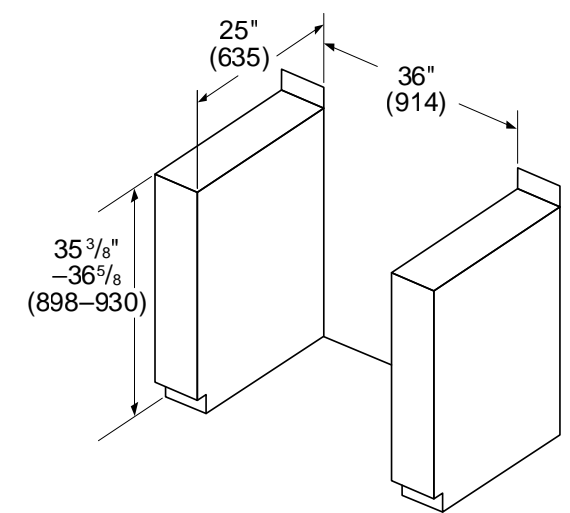
| | |
|----------|--|
| Included | Use and care manual, installation guide, temperature probe, 1 standard rack, 1 telescopic rack |
|----------|--|

800 Series Industrial Style Induction Range

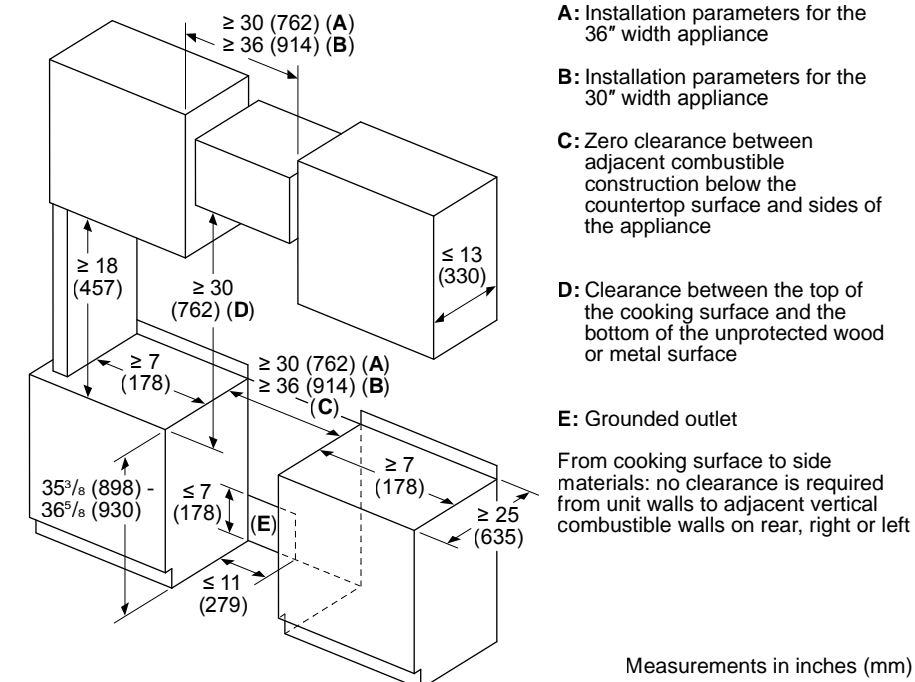
Industrial Style Range Dimensions



Industrial Style Range Cutout Dimensions



Industrial Style Range Installation



A: Installation parameters for the 36" width appliance

B: Installation parameters for the 30" width appliance

C: Zero clearance between adjacent combustible construction below the countertop surface and sides of the appliance

D: Clearance between the top of the cooking surface and the bottom of the unprotected wood or metal surface

E: Grounded outlet

From cooking surface to side materials: no clearance is required from unit walls to adjacent vertical combustible walls on rear, right or left

Optional Accessories



HEZ390230
10" AutoChef® Pan
for 8" and 9" Elements

HEZ9YZ04UC
Side Panel Extension
Kit, Stainless Steel

HEZ9TK36UC
36" Toe Kick
Stainless Steel

HEZ9LLUC
Metal Pedestal Feet
Set of 4, Stainless Steel

HEZ390512
Teppanyaki

HEZ9GR37UC
Grill

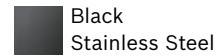


800 Series Industrial Style Gas & Dual-Fuel Ranges



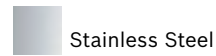
30" Gas 800 Series
HGS8055UC (Stainless Steel)
HGS8045UC (Black Stainless Steel)

- Commercial-Inspired Design with 5 Burners
- 18,000 BTU Dual Flame Ring Power Burner
- Dishwasher-safe Grates
- QuietClose® Door



30" Dual-Fuel 800 Series
HDS8055U (Stainless Steel)
HDS8045U (Black Stainless Steel)

- Commercial-Inspired Design with 5 Burners
- 18,000 BTU Dual Flame Ring Power Burner
- Dishwasher-safe Grates
- QuietClose® Door
- Convection Multi-Rack
- Temperature Probe



| | Gas | Dual-Fuel |
|--|--|--|
| | HGS8055UC – Stainless Steel HGS8045UC – Black Stainless Steel | HDS8055U – Stainless Steel HDS8045U – Black Stainless Steel |

General Properties

| | | |
|----------------|------------------------------|---|
| Cooking modes | Bake, Convection Bake, Broil | Bake, Convection Bake, Broil, Convection Broil, Convection Roast, Pizza, Proof, Convection Multi-Rack, Sabbath Mode |
| Cleaning type | Catalytic clean coating | Catalytic clean coating |
| Type of grate | Cast iron | Cast iron |
| Knob material | Metal | Metal |
| Interior light | 1 | 1 |
| Kitchen timer | Yes | Yes |
| Sealed burners | Yes | Yes |

Oven Performance

| | | |
|----------------------------|---------------------|-----------------|
| Bake / broil burner power | 17,000 / 11,500 BTU | – |
| Bake / broil element watts | – | 1,700 / 2,900 W |
| Convection element watts | – | 2,700 W |

Burner Performance

| | | |
|---------------------------------------|---------------------|---------------------|
| Total number of cooktop burners | 5 | 5 |
| Total cooktop (NG / LP) | 48,000 / 48,000 BTU | 48,000 / 48,000 BTU |
| Power of front left burner (NG / LP) | 5,000 / 5,000 BTU | 5,000 / 5,000 BTU |
| Power of back left burner (NG / LP) | 10,000 / 10,000 BTU | 10,000 / 10,000 BTU |
| Power of center burner (NG / LP) | 18,000 / 18,000 BTU | 18,000 / 18,000 BTU |
| Power of back right burner (NG / LP) | 5,000 / 5,000 BTU | 5,000 / 5,000 BTU |
| Power of front right burner (NG / LP) | 10,000 / 10,000 BTU | 10,000 / 10,000 BTU |

Technical Details

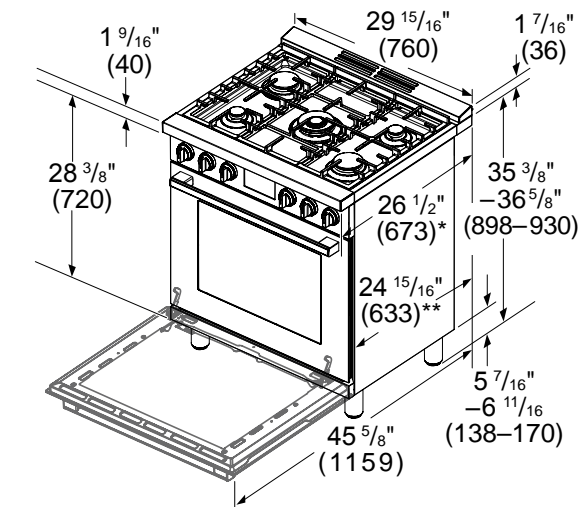
| | | |
|-------------------------|-------------------------------------|-------------------------------------|
| Circuit breaker | 15 A | 20 A |
| Volts | 120 V | 208 V / 240 V |
| Frequency | 60 Hz | 60 Hz |
| Plug type / Cord length | US 3-prong, 60" with plug | Fixed connection (no plug) |
| Energy source | Gas | Mixed electric / gas |
| Gas type | Natural gas 14.9 mbar (USA) [7" WC] | Natural gas 14.9 mbar (USA) [7" WC] |
| Alternative gas type | LP 27.4 mbar (USA) [11" WC] | LP 27.4 mbar (USA) [11" WC] |

Dimensions & Weight

| | | |
|--|--|--|
| Overall appliance dimensions (HxWxD) | 36" x 29 15/16" x 24 15/16" (26 1/2" with bull nose) | 36" x 29 15/16" x 24 15/16" (26 1/2" with bull nose) |
| Required cutout size (HxWxD) | 36" x 30" x 25" | 36" x 30" x 25" |
| Adjustable range height | 35 3/8" Min. – 36 5/8" Max. | 35 3/8" Min. – 36 5/8" Max. |
| Oven cavity size | 3.6 cu. ft. | 3.9 cu. ft. |
| Overall oven interior dimensions (HxWxD) | 17 3/8" x 24 1/3" x 18 3/8" | 17 3/8" x 24 1/3" x 18 3/8" |
| Usable oven interior dimensions (HxWxD) | 17" x 24 3/16" x 17 5/32" | 17 5/16" x 22 13/16" x 17 1/8" |
| Net weight | 193 lbs | 195 lbs |

800 Series Industrial Style Gas & Dual-Fuel Ranges

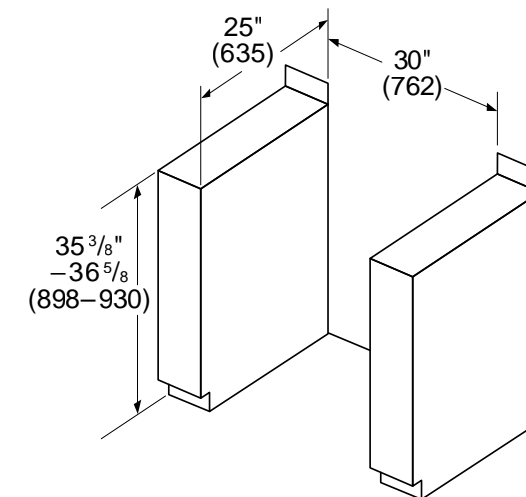
Industrial Style Range Dimensions



* Front of Bull Nose to Back Wall Spacer

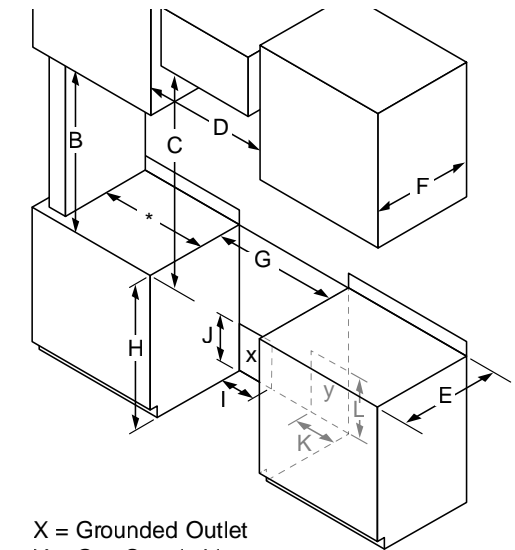
** Front of Oven Door/Control Panel to Back Wall Spacer

Industrial Style Range Cutout Dimensions



Industrial Style Range Installation

measurements in inches (mm)



X = Grounded Outlet

Y = Gas Supply Line

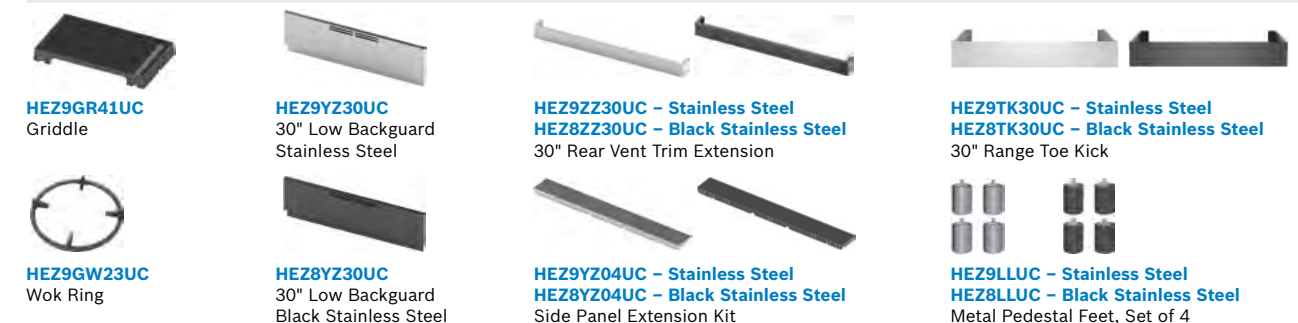
- B minimum 18" (457 mm)
- C minimum 30" (762 mm) clearance between the top of the cooking surface and the bottom of the unprotected wood or metal cabinet
- D 30": minimum 30" (762 mm)
36": minimum 36" (914 mm)
- E minimum 25" (635 mm)
- F maximum 13" (330 mm)
- G 30": minimum 30" (762 mm)
36": minimum 36" (914 mm)
Zero clearance between adjacent combustible construction below the countertop surface and sides of the appliance.
- H 35 5/16" - 36 10/16" (898 - 930 mm)
- I 11" (279 mm)
- J 7" (178 mm)
- K 6" (150 mm)
- L 11" (279 mm)

* Minimum clearance of $\geq 12"$ (305 mm) on one and $\geq 28"$ (711 mm) on the other side from cutout to side walls.

Accessories - Included (Gas and Dual Fuel)

Use and care manual, installation guide, LP conversion kit, 2 standard racks; Dual Fuel range also includes temperature probe

Optional Accessories



800 Series Industrial Style Gas & Dual-Fuel Ranges



36" Gas 800 Series
HGS8655UC (Stainless Steel)
HGS8645UC (Black Stainless Steel)

- Commercial-Inspired Design with 6 Burners
- 18,000 BTU Dual Flame Ring Power Burner
- Dishwasher-safe Grates
- QuietClose® Door
- Telescopic Rack



36" Dual-Fuel 800 Series
HDS8655U (Stainless Steel)
HDS8645U (Black Stainless Steel)

- Commercial-Inspired Design with 6 Burners
- 18,000 BTU Dual Flame Ring Power Burner
- Dishwasher-safe Grates
- QuietClose® Door
- Telescopic Rack
- Convection Multi-Rack
- Temperature Probe

| | Gas | Dual-Fuel |
|--|--|--|
| | HGS8655UC – Stainless Steel HGS8645UC – Black Stainless Steel | HDS8655U – Stainless Steel HDS8645U – Black Stainless Steel |

| General Properties | | |
|--------------------|------------------------------|---|
| Cooking modes | Bake, Convection Bake, Broil | Bake, Convection Bake, Broil, Convection Broil, Convection Roast, Pizza, Proof, Convection Multi-Rack, Sabbath Mode |
| Cleaning type | Catalytic clean coating | Catalytic clean coating |
| Type of grate | Cast iron | Cast iron |
| Knob material | Metal | Metal |
| Interior light | 1 | 1 |
| Kitchen timer | Yes | Yes |
| Sealed burners | Yes | Yes |

| Oven Performance | | |
|----------------------------|---------------------|-----------------|
| Bake / broil burner power | 17,000 / 14,000 BTU | – |
| Bake / broil element watts | – | 1,700 / 2,900 W |
| Convection element watts | – | 2,500 W |

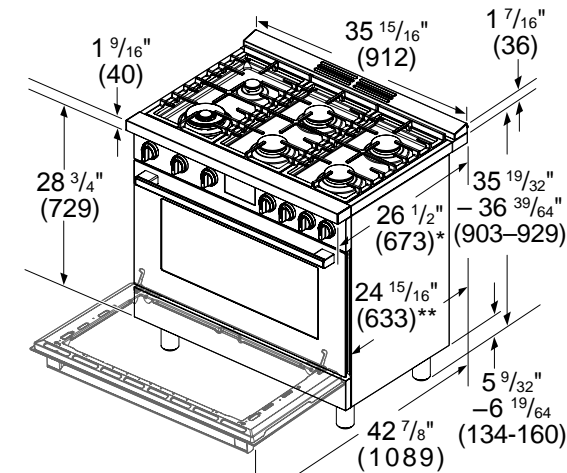
| Burner Performance | | |
|--|---------------------|---------------------|
| Total number of cooktop burners | 6 | 6 |
| Total cooktop (NG / LP) | 63,000 / 63,000 BTU | 63,000 / 63,000 BTU |
| Power of front left burner (NG / LP) | 18,000 / 18,000 BTU | 18,000 / 18,000 BTU |
| Power of back left burner (NG / LP) | 5,000 / 5,000 BTU | 5,000 / 5,000 BTU |
| Power of back center burner (NG / LP) | 10,000 / 10,000 BTU | 10,000 / 10,000 BTU |
| Power of front center burner (NG / LP) | 10,000 / 10,000 BTU | 10,000 / 10,000 BTU |
| Power of back right burner (NG / LP) | 10,000 / 10,000 BTU | 10,000 / 10,000 BTU |
| Power of front right burner (NG / LP) | 10,000 / 10,000 BTU | 10,000 / 10,000 BTU |

| Technical Details | | |
|-------------------------|-------------------------------------|-------------------------------------|
| Circuit breaker | 15 A | 20 A |
| Volts | 120 V | 208V / 240V |
| Frequency | 60 Hz | 60 Hz |
| Plug type / Cord length | US 3-prong, 60" with plug | Fixed connection (no plug) |
| Energy source | Gas | Mixed electric / gas |
| Gas type | Natural gas 14.9 mbar (USA) [7" WC] | Natural gas 14.9 mbar (USA) [7" WC] |
| Alternative gas type | LP 27.4 mbar (USA) [11" WC] | LP 27.4 mbar (USA) [11" WC] |

| Dimensions & Weight | | |
|--|--|--|
| Overall appliance dimensions (HxWxD) | 36" x 35 15/16" x 24 15/16" (26 1/2" with bull nose) | 36" x 35 15/16" x 24 15/16" (26 1/2" with bull nose) |
| Required cutout size (HxWxD) | 36" x 36" x 25" | 36" x 36" x 25" |
| Adjustable range height | 35 19/32" Min. – 36 39/64" Max. | 35 19/32" Min. – 36 39/64" Max. |
| Oven cavity size | 3.4 cu. ft. | 3.7 cu. ft. |
| Overall oven interior dimensions (HxWxD) | 15" x 28 7/16" x 17 11/16" | 15 1/32" x 28 7/16" x 17 9/16" |
| Usable oven interior dimensions (HxWxD) | 15" x 28 11/32" x 17 11/16" | 14 9/16" x 26 15/16" x 16 1/8" |
| Net weight | 207 lbs | 219 lbs |

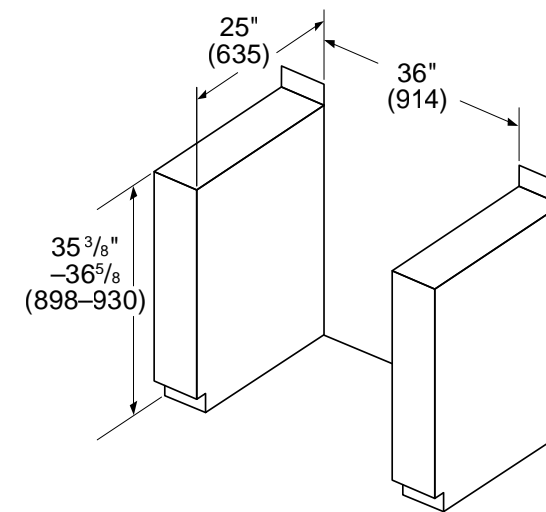
800 Series Industrial Style Gas & Dual-Fuel Ranges

Industrial Style Range Dimensions



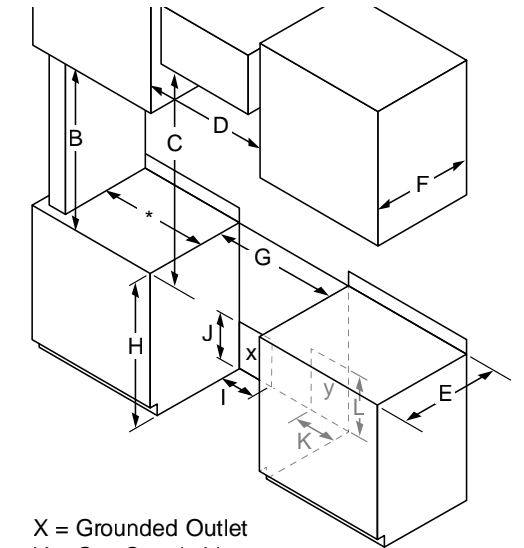
* Front of Bull Nose to Back Wall Spacer
 ** Front of Oven Door/Control Panel to Back Wall Spacer

Industrial Style Range Cutout Dimensions



Industrial Style Range Installation

measurements in inches (mm)



X = Grounded Outlet
 Y = Gas Supply Line

- B minimum 18" (457 mm)
- C minimum 30" (762 mm) clearance between the top of the cooking surface and the bottom of the unprotected wood or metal cabinet
- D 30": minimum 30" (762 mm)
36": minimum 36" (914 mm)
- E minimum 25" (635 mm)
- F maximum 13" (330 mm)
- G 30": minimum 30" (762 mm)
36": minimum 36" (914 mm)
Zero clearance between adjacent combustible construction below the countertop surface and sides of the appliance.
- H 35 6/16 - 36 10/16 (898 - 930 mm)
- I 11" (279 mm)
- J 7" (178 mm)
- K 6" (150 mm)
- L 11" (279 mm)

* Minimum clearance of >= 12" (305 mm) on one and >= 28" (711 mm) on the other side from cutout to side walls.

Accessories – Included (Gas and Dual Fuel)

Use and care manual, installation guide, LP conversion kit, 1 standard rack, 1 telescopic rack; Dual Fuel range also includes temperature probe

Optional Accessories

| | | | |
|-------------------------------|---|--|---|
| | | | |
| HEZ9GR41UC Griddle | HEZ9YZ36UC 36" Low Backguard Stainless Steel | HEZ9ZZ36UC – Stainless Steel HEZ8ZZ36UC – Black Stainless Steel 36" Rear Vent Trim Extension | HEZ9TK36UC – Stainless Steel HEZ8TK36UC – Black Stainless Steel 36" Range Toe Kick |
| | | | |
| HEZ9GW23UC Wok Ring | HEZ8YZ36UC 36" Low Backguard Black Stainless Steel | HEZ9YZ04UC – Stainless Steel HEZ8YZ04UC – Black Stainless Steel Side Panel Extension Kit | HEZ9LLUC – Stainless Steel HEZ8LLUC – Black Stainless Steel Metal Pedestal Feet, Set of 4 |





Ventilation

Bosch's inventive ventilation systems keep mealtime fresh by quietly clearing the air of grease, steam, smoke, and odors while you cook. They're beautifully designed to seamlessly integrate into any kitchen with under-the-cabinet, chimney, island, pull-out, and downdraft styles. These easy-to-clean ventilation systems come with automated features to make maintenance and operation a breeze. You'll breathe easier knowing that smoke, steam, grease, and odors are quietly and effectively taken care of.



Benchmark™ Series Ventilation

include these features:



Sculpted in Steel and Glass

Sculpted in steel and glass, our Benchmark™ Series wall-mounted chimney hoods add style and sophistication to the kitchen. No matter your needs, Bosch has an elegant solution.



Peaceful Cooking

The Benchmark™ Series glass canopy chimney hood is only 2.0 sones at the lowest setting, so you can enjoy peaceful cooking with no distracting noise.



Powerful and Effective

Benchmark™ Series glass canopy chimney wall hood meets the ventilation requirements of any Bosch cooktop or range, and can convert to recirculation for installations that are hard to duct or for areas with makeup air restrictions. These highly effective vents quickly clear the air of grease, steam, smoke, and odor.

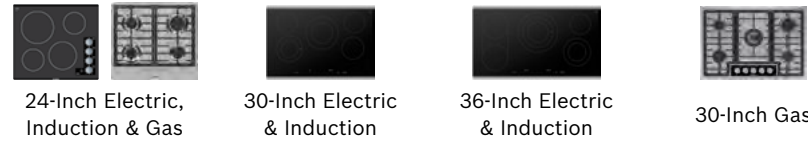


Ventilation Selection Guide

✓ = Design Match

✓ = Viable Option

Cooktops



Chimney Wall Hoods

| | | | | | |
|--|--------------------|---|---|---|---|
| | 24-Inch HCP34E52UC | ✓ | | | |
| | 30-Inch HCP30E52UC | ✓ | ✓ | | ✓ |
| | 30-Inch HCP50652UC | | ✓ | | ✓ |
| | 30-Inch HCP80641UC | | ✓ | | ✓ |
| | 30-Inch HCB50651UC | | ✓ | | ✓ |
| | 36-Inch HCG56651UC | | ✓ | ✓ | ✓ |
| | 36-Inch HCP36E52UC | | ✓ | ✓ | ✓ |
| | 36-Inch HCP56652UC | | ✓ | ✓ | ✓ |
| | 36-Inch HCB56651UC | | ✓ | ✓ | ✓ |
| | 36-Inch HCP86642UC | | ✓ | ✓ | ✓ |

Under-Cabinet Range Hoods

| | | | | | |
|--|--------------------|---|---|---|---|
| | 30-Inch DUH30152UC | ✓ | ✓ | | ✓ |
| | 30-Inch DUH30252UC | | ✓ | | ✓ |
| | 30-Inch DPH30652UC | | ✓ | | ✓ |
| | 36-Inch DUH36152UC | | ✓ | ✓ | ✓ |
| | 36-Inch DUH36252UC | | ✓ | ✓ | ✓ |
| | 36-Inch DPH36652UC | | ✓ | ✓ | ✓ |

Island Hood

| | | | | | |
|--|--------------------|--|---|---|---|
| | 42-Inch HIB82651UC | | ✓ | ✓ | ✓ |
|--|--------------------|--|---|---|---|

Custom Insert Hoods

| | | | | | |
|--|--------------------|---|---|---|---|
| | 24-Inch HUI34253UC | ✓ | | | |
| | 30-Inch HUI30253UC | ✓ | ✓ | | ✓ |
| | 30-Inch HUI80553UC | ✓ | ✓ | | ✓ |
| | 36-Inch HUI36253UC | | | ✓ | |
| | 36-Inch HUI86653UC | | | ✓ | |

Downdrafts

| | | | | | |
|--|--------------------|--|---|---|---|
| | 30-Inch HDD80051UC | | ✓ | | ✓ |
| | 36-Inch HDD86051UC | | | ✓ | |

Pull-Out Hoods

| | | | | | |
|--|--------------------|---|---|---|---|
| | 24-Inch HUI54452UC | ✓ | | | |
| | 30-Inch HUI50351UC | ✓ | ✓ | | ✓ |
| | 36-Inch HUI56551UC | | ✓ | ✓ | ✓ |

Ventilation Selection Guide

| Cooktops | Rangetops | | Slide-In Ranges | Industrial Style Ranges | |
|-------------|-------------|-------------|--------------------------------------|------------------------------------|------------------------------------|
| | | | | | |
| 36-Inch Gas | 30-Inch Gas | 36-Inch Gas | Electric, Induction, Gas & Dual-Fuel | 30-Inch Induction, Gas & Dual-Fuel | 36-Inch Induction, Gas & Dual-Fuel |

| | | | | | |
|---|---|---|---|---|---|
| | | | ✓ | ✓ | |
| | ✓ | | ✓ | ✓ | |
| | ✓ | | ✓ | ✓ | |
| | ✓ | | ✓ | ✓ | |
| ✓ | ✓ | ✓ | ✓ | ✓ | ✓ |
| ✓ | | | ✓ | ✓ | ✓ |
| ✓ | ✓ | ✓ | ✓ | ✓ | ✓ |
| ✓ | ✓ | ✓ | ✓ | ✓ | ✓ |

| | | | | | |
|---|---|---|---|---|---|
| | | | ✓ | | |
| | | | ✓ | ✓ | |
| | ✓ | | ✓ | ✓ | |
| ✓ | | | ✓ | ✓ | ✓ |
| ✓ | | | ✓ | ✓ | ✓ |
| ✓ | ✓ | ✓ | ✓ | ✓ | ✓ |

| | | | | | |
|---|---|---|---|---|---|
| ✓ | ✓ | ✓ | ✓ | ✓ | ✓ |
|---|---|---|---|---|---|

| | | | | | |
|---|---|--|---|---|---|
| | ✓ | | ✓ | ✓ | |
| | ✓ | | ✓ | ✓ | |
| ✓ | | | | | ✓ |
| ✓ | | | | | ✓ |

| | | | | | |
|---|---|--|--|--|--|
| ✓ | ✓ | | | | |
|---|---|--|--|--|--|

| | | | | | |
|---|--|--|---|---|---|
| | | | ✓ | ✓ | |
| ✓ | | | ✓ | ✓ | ✓ |



Benchmark™ Series 36" Chimney Wall Hood



36" Benchmark™ Series Glass Canopy Chimney Hood HCG56651UC

- 2 Halogen Lights
- Stainless Steel Filters with Metal Latch
- 9 ft.–11.5 ft. Duct Cover Extension Accessory

36" Glass Canopy Chimney Hood

Stainless Steel – HCG56651UC

General Properties

| | |
|---------------------------|-------------------------------------|
| Operating mode | Convertible: ducted / recirculating |
| CFM (HVI Certified) | 460 HS / 160 WS |
| Sones (HVI Certified) | 11 HS / 2 WS |
| Number of speed settings | 4-stage |
| Motor location | Integrated motor in hood chimney |
| Number and type of lights | 2 Halogen G-9 |
| Light lumens | 360 |
| Light color | 3000° K |
| Total power of the lamps | 80 W |
| Damper included | Yes |
| Grease filter material | Washable stainless steel |
| Grease filter type | Multilayer cassette |

Technical Details

| | |
|-----------|---------|
| Watts | 443 W |
| Volts | 120 V |
| Frequency | 60 Hz |
| Plug type | No plug |

Dimensions & Weight

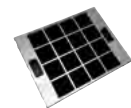
| | |
|---|--|
| Overall appliance dimensions (width of canopy included) (HxWxD) | 27 7/16" x 42 3/8" / 27 7/16" x 46 5/16" / 35 7/8" x 19 11/16" |
| Height of the chimney | 25 7/8" x 40 13/16" / 25 7/8" x 44 3/4" |
| Minimum distance above cooktop / range cooking surface | Min. 24" electric / 30" gas |
| Diameter of air duct, top | 8" |
| Net weight | 54 lbs |

HS=High Speed; WS=Working Speed

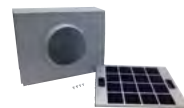
Optional Accessories



HCGEXT5UC
Chimney Extension for 9–11.5 ft. Ceilings for Use with HCG56651UC



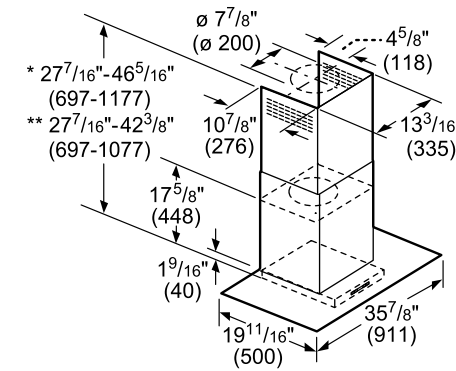
HCIFILTUC
Filter Kit



HCREC5UC
Recirculation Kit for HCG56651UC

Benchmark™ Series 36" Chimney Wall Hood

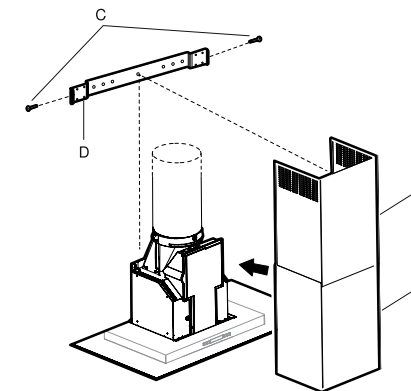
36" Glass Canopy Chimney Hood



- * Recirculating installation
- ** Ducted installation

Installation height above cooking surface:
Min. 24" (610 mm) to Electric
Min. 30" (762 mm) to Gas

measurements in inches (mm)



- A Upper flue duct
- B Lower flue duct
- C Screws
- D Angle bracket



800 Series 30" & 36" Chimney Wall Hoods



**30" 800 Series
Pyramid Canopy Chimney Hood
HCP80641UC**

- +2 Halogen Lights
- +Aluminum Mesh Filters
- 9 ft.–11.5 ft. Duct Cover Extension Accessory
- Black Stainless Steel Helps Guard Against Scratches and Fingerprints



**36" 800 Series
Pyramid Canopy Chimney Hood
HCP86641UC**

- +2 Halogen Lights
- +Aluminum Mesh Filters
- 9 ft.–11.5 ft. Duct Cover Extension Accessory
- Black Stainless Steel Helps Guard Against Scratches and Fingerprints

+ Indicates a step-up feature

| | 30" Pyramid Canopy 800 Series | 36" Pyramid Canopy 800 Series |
|--|------------------------------------|------------------------------------|
| | Black Stainless Steel – HCP80641UC | Black Stainless Steel – HCP86641UC |

General Properties

| | 30" Pyramid Canopy 800 Series | 36" Pyramid Canopy 800 Series |
|---------------------------|-------------------------------------|-------------------------------------|
| Operating mode | Convertible: ducted / recirculating | Convertible: ducted / recirculating |
| CFM (HVI Certified) | 530 HS / 180 WS | 530 HS / 180 WS |
| Sones (HVI Certified) | 12 HS / 2 WS | 12 HS / 2 WS |
| Number of speed settings | 4-stage | 4-stage |
| Motor location | Integrated motor in hood chimney | Integrated motor in hood chimney |
| Number and type of lights | 2 Halogen | 2 Halogen |
| Light lumens | 360 | 360 |
| Light color | 3000° K | 3000° K |
| Total power of the lamps | 80 W | 80 W |
| Damper included | Yes | Yes |
| Grease filter material | Aluminum (dishwasher safe) | Aluminum (dishwasher safe) |
| Grease filter type | Multilayer cassette | Multilayer cassette |

Technical Details

| | 30" Pyramid Canopy 800 Series | 36" Pyramid Canopy 800 Series |
|-----------|-------------------------------|-------------------------------|
| Watts | 452 W | 442 W |
| Volts | 120 V | 120 V |
| Frequency | 60 Hz | 60 Hz |
| Plug type | No plug | No plug |

Dimensions & Weight

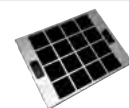
| | 30" Pyramid Canopy 800 Series | 36" Pyramid Canopy 800 Series |
|---|---|---|
| Overall appliance dimensions (width of canopy included) (HxWxD) | 24 9/16" – 38 7/8" / 28 1/4" – 42 9/16" x 30" x 19 11/16" | 24 9/16" – 38 7/8" / 28 1/4" – 42 9/16" x 36" x 19 11/16" |
| Height of the chimney | 19 9/16" – 33 7/8" / 23 1/4" – 42 9/16" | 19 9/16" – 33 7/8" / 23 1/4" – 42 9/16" |
| Minimum distance above cooktop / range cooking surface | Min. 24" electric / 30" gas | Min. 24" electric / 30" gas |
| Diameter of air duct, top | 8" | 8" |
| Net weight | 49 lbs | 49 lbs |

HS=High Speed; WS=Working Speed

Optional Accessories



HCPEXT4UC
Chimney Extension for 9–11.5 ft. ceilings for use with HCP80641UC & HCP86641UC



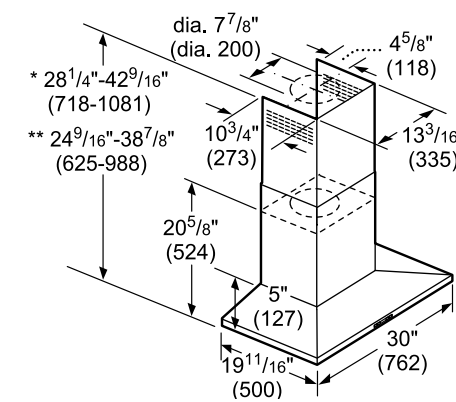
HCIFILTUC
Filter Kit



HCRC5UC
Recirculation Kit

800 Series 30" & 36" Chimney Wall Hoods

**30" HCP80641UC
Pyramid Canopy Chimney Hood**

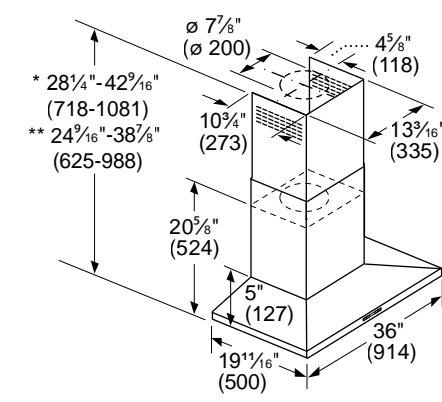


- * Recirculating installation
- ** Installation with exhaust air duct

Installation height above cooking surface:
Min. 24" (610 mm) for electric
Min. 30" (762 mm) for gas

measurements in inches (mm)

**36" HCP86641UC
Pyramid Canopy Chimney Hood**

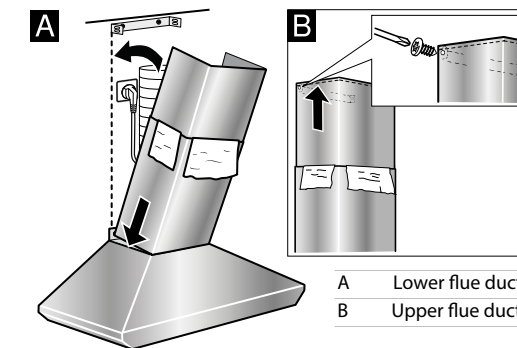


- * Recirculating installation
- ** Ducted installation

Installation height above cooking surface:
Min. 24" (610 mm) to Electric
Min. 30" (762 mm) to Gas

measurements in inches (mm)

30" and 36" Pyramid Canopy Chimney Hoods



A Lower flue duct
B Upper flue duct



500 Series 30" & 36" Chimney Wall Hoods



**30" 500 Series
Box Canopy Chimney Hood
HCB50651UC**

- + 2 Halogen Lights
- + Stainless Steel Filters with Metal Latch
- 9 ft.–11.5 ft. Duct Cover Extension Accessory



**36" 500 Series
Box Canopy Chimney Hood
HCB56651UC**

- + 2 Halogen Lights
- + Stainless Steel Filters with Metal Latch
- 9 ft.–11.5 ft. Duct Cover Extension Accessory

+ Indicates a step-up feature

**30" Box Canopy
500 Series**

Stainless Steel – HCB50651UC

**36" Box Canopy
500 Series**

Stainless Steel – HCB56651UC

General Properties

| Operating mode | Convertible: ducted / recirculating | Convertible: ducted / recirculating |
|---------------------------|-------------------------------------|-------------------------------------|
| CFM (HVI Certified) | 490 HS / 170 WS | 500 HS / 170 WS |
| Sones (HVI Certified) | 11.5 HS / 2 WS | 11.5 HS / 2 WS |
| Number of speed settings | 4-stage | 4-stage |
| Motor location | Integrated motor in hood chimney | Integrated motor in hood chimney |
| Number and type of lights | 2 Halogen | 2 Halogen |
| Light lumens | 360 | 360 |
| Light color | 3000° K | 3000° K |
| Total power of the lamps | 80 W | 80 W |
| Damper included | Yes | Yes |
| Grease filter material | Washable stainless steel | Washable stainless steel |
| Grease filter type | Multilayer cassette | Multilayer cassette |

Technical Details

| | | |
|-----------|---------|---------|
| Watts | 445 W | 452 W |
| Volts | 120 V | 120 V |
| Frequency | 60 Hz | 60 Hz |
| Plug type | No plug | No plug |

Dimensions & Weight

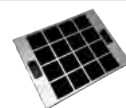
| | | |
|---|---|---|
| Overall appliance dimensions (width of canopy included) (HxWxD) | 27 1/16" x 42 1/8" / 27 1/16" x 45 13/16" / 30" x 19 11/16" | 27 1/16" x 42 1/8" / 27 1/16" x 45 13/16" / 36" x 19 11/16" |
| Height of the chimney | 25 1/2" x 40 9/16" / 25 1/2" x 44 1/4" | 25 1/2" x 40 9/16" / 25 1/2" x 44 1/4" |
| Minimum distance above cooktop / range cooking surface | Min. 24" electric / 30" gas | Min. 24" electric / 30" gas |
| Diameter of air duct, top | 8" | 8" |
| Net weight | 54 lbs | 54 lbs |

HS=High Speed; WS=Working Speed

Optional Accessories



HCBEXT5UC
Chimney Extension for 9–11.5 ft. ceilings
for use with HCB50651UC and HCB56651UC



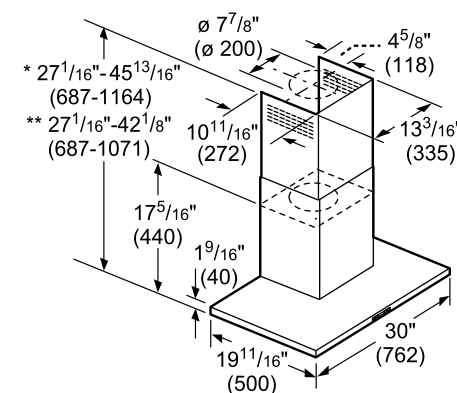
HCIFILTUC
Filter Kit



HCREC5UC
Recirculation Kit

500 Series 30" & 36" Chimney Wall Hoods

**30" HCB50651UC
Box Canopy Chimney Hood**

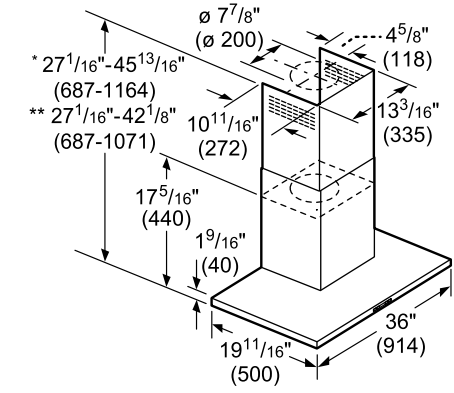


* Recirculating installation
** Ducted installation

Installation height above cooking surface:
Min. 24" (610 mm) to Electric
Min. 30" (762 mm) to Gas

measurements in inches (mm)

**36" HCB56651UC
Box Canopy Chimney Hood**

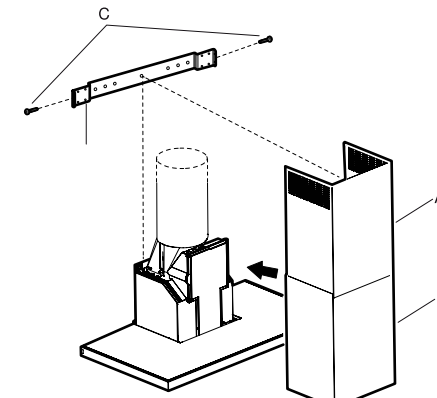


* Recirculating installation
** Ducted installation

Installation height above cooking surface:
Min. 24" (610 mm) to Electric
Min. 30" (762 mm) to Gas

measurements in inches (mm)

30" and 36" Box Canopy Chimney Hoods



- A Upper flue duct
- B Lower flue duct
- C Screws
- D Angle bracket



500 / 300 Series 30" & 24" Chimney Wall Hoods



30" 500 Series
Pyramid Canopy Chimney Hood
HCP50652UC

- +2 LED Lights
- Home Connect
- +Home Connect®
- Stainless Steel Filters with Latch
- 9 ft.–11.5 ft. Duct Cover Extension Accessory



30" 300 Series
Pyramid Canopy Chimney Hood
HCP30E52UC

- ENERGY STAR® Certified
- 2 LED Lights
- Aluminum Mesh Filters
- 9 ft.–11.5 ft. Duct Cover Extension Accessory



24" 300 Series
Pyramid Canopy Chimney Hood
HCP34E52UC

- ENERGY STAR® Certified
- 2 LED Lights
- Aluminum Mesh Filters
- 9 ft.–11.5 ft. Duct Cover Extension Accessory

+ Indicates a step-up feature

| | 30" Pyramid Canopy | 30" Pyramid Canopy | 24" Pyramid Canopy |
|--|------------------------------|------------------------------|------------------------------|
| | Stainless Steel – HCP50652UC | Stainless Steel – HCP30E52UC | Stainless Steel – HCP34E52UC |

General Properties

| Operating mode | Convertible: ducted / recirculating | Convertible: ducted / recirculating | Convertible: ducted / recirculating |
|-------------------------------|-------------------------------------|-------------------------------------|-------------------------------------|
| CFM (HVI Certified) | 430 HS / 180 WS | 310 HS / 120 WS | 310 HS / 120 WS |
| Sones (HVI Certified) | 8.5 HS / 2 WS | 5.5 HS / 1.3 WS | 5.5 HS / 1.3 WS |
| Number of speed settings | 4-stage | 3-stage | 3-stage |
| Motor location | Integrated motor in hood chimney | Integrated motor in hood chimney | Integrated motor in hood chimney |
| Number and type of lights | 2 LED | 2 LED | 2 LED |
| Light lumens | 100 – 150 | 500 | 500 |
| Light color | 3500 – 4000° K | 2700 – 3000° K | 2700 – 3000° K |
| Total power of the lamps | 6 W | 13 W | 13 W |
| Damper included | Yes | Yes | Yes |
| Grease filter material | Washable Stainless Steel | Aluminum (dishwasher safe) | Aluminum (dishwasher safe) |
| Grease filter type | Multilayer cassette | Multilayer cassette | Multilayer cassette |
| Home Connect® (Wi-Fi enabled) | Yes | No | No |

Technical Details

| | | | |
|-----------|---------|---------|---------|
| Watts | 356 W | 161 W | 161 W |
| Volts | 120 V | 120 V | 120 V |
| Frequency | 60 Hz | 60 Hz | 60 Hz |
| Plug type | No plug | No plug | No plug |

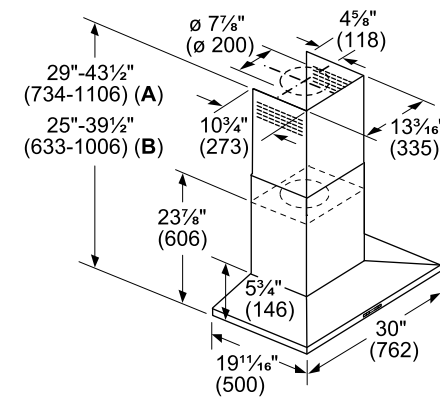
Dimensions & Weight

| | | | |
|---|---|---|---|
| Overall appliance dimensions (width of canopy included) (HxWxD) | 24 9/16" – 38 7/8" / 28 1/4" – 42 9/16" x 30" x 19 11/16" | 24 9/16" – 38 7/8" / 28 1/4" – 42 9/16" x 30" x 19 11/16" | 24 9/16" – 38 7/8" / 28 1/4" – 42 9/16" x 24" x 19 11/16" |
| Height of the chimney | 19 9/16" – 33 7/8" / 23 1/4" – 42 9/16" | 19 9/16" – 33 7/8" / 23 1/4" – 42 9/16" | 19 9/16" – 33 7/8" / 23 1/4" – 42 9/16" |
| Minimum distance above cooktop / range cooking surface | Min. 30" electric / 30" gas | Min. 24" electric / 27" gas | Min. 24" electric / 27" gas |
| Diameter of air duct, top | 8" | 8" | 8" |
| Net weight | 49 lbs | 49 lbs | 49 lbs |

HS=High Speed; WS=Working Speed

500 / 300 Series 30" & 24" Chimney Wall Hoods

30" HCP50652UC Pyramid Canopy Chimney Hood

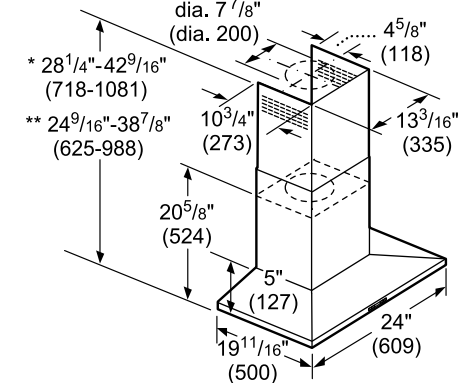


A: Recirculating installation
B: Ducted installation

Installation height above cooking surface:
Min. 30" (762 mm) to Electric
Min. 30" (762 mm) to Gas

measurements in inches (mm)

24" HCP34E52UC Pyramid Canopy Chimney Hood

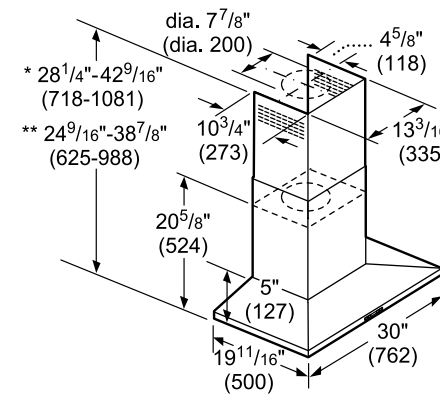


* Recirculating installation
** Installation with exhaust air duct

Installation height above cooking surface:
Min. 24" (610 mm) for electric
Min. 27" (686 mm) for gas

measurements in inches (mm)

30" HCP30E52UC Pyramid Canopy Chimney Hood

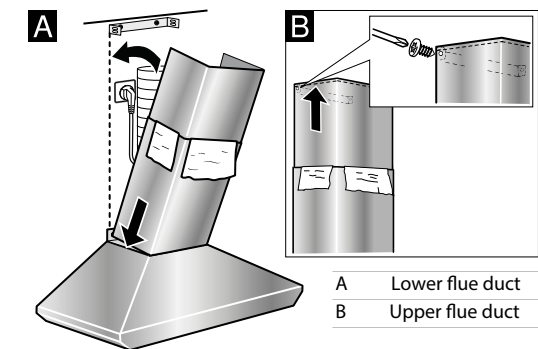


* Recirculating installation
** Installation with exhaust air duct

Installation height above cooking surface:
Min. 24" (610 mm) for electric
Min. 27" (686 mm) for gas

measurements in inches (mm)

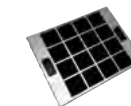
30" and 24" Pyramid Canopy Chimney Hoods



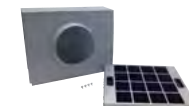
Optional Accessories



HCPEXT5UC
Chimney Extension for 9–11.5 ft. ceilings



HCIFILTUC
Filter Kit



HCREC5UC
Recirculation Kit



500 / 300 Series 36" Chimney Wall Hoods



36" 500 Series
Pyramid Canopy Chimney Hood
HCP56652UC

- +2 LED Lights
- +Home Connect®
- Stainless Steel Filters with Latch
- 9 ft.–11.5 ft. Duct Cover Extension Accessory



36" 300 Series
Pyramid Canopy Chimney Hood
HCP36E52UC

- ENERGY STAR® Certified
- 2 LED Lights
- Aluminum Mesh Filters
- 9 ft.–11.5 ft. Duct Cover Extension Accessory



+ Indicates a step-up feature

| | 36" Pyramid Canopy 500 Series | 36" Pyramid Canopy 300 Series |
|--|-------------------------------|-------------------------------|
| | Stainless Steel – HCP56652UC | Stainless Steel – HCP36E52UC |

General Properties

| | 36" Pyramid Canopy 500 Series | 36" Pyramid Canopy 300 Series |
|-------------------------------|-------------------------------------|-------------------------------------|
| Operating mode | Convertible: ducted / recirculating | Convertible: ducted / recirculating |
| CFM (HVI Certified) | 430 HS / 180 WS | 310 HS / 120 WS |
| Sones (HVI Certified) | 8.5 HS / 2 WS | 5.5 HS / 1.3 WS |
| Number of speed settings | 4-stage | 3-stage |
| Motor location | Integrated motor in hood chimney | Integrated motor in hood chimney |
| Number and type of lights | 2 LED | 2 LED |
| Light lumens | 100 – 150 | 500 |
| Light color | 3500 – 4000° K | 3000° K |
| Total power of the lamps | 3 W | 13 W |
| Damper included | Yes | Yes |
| Grease filter material | Washable Stainless Steel | Aluminum (dishwasher safe) |
| Grease filter type | Multilayer cassette | Multilayer cassette |
| Home Connect® (Wi-Fi enabled) | Yes | No |

Technical Details

| | | |
|-----------|---------|---------|
| Watts | 358 W | 161 W |
| Volts | 120 V | 120 V |
| Frequency | 60 Hz | 60 Hz |
| Plug type | No plug | No plug |

Dimensions & Weight

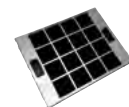
| | | |
|---|---|---|
| Overall appliance dimensions (width of canopy included) (HxWxD) | 25" – 39 1/2" / 29" – 43 1/2" x 36" x 19 11/16" | 24 9/16" – 38 7/8" / 28 1/4" – 42 9/16" x 36" x 19 11/16" |
| Height of the chimney | 19 9/16" – 33 7/8" / 23 1/4" – 42 9/16" | 19 9/16" – 33 7/8" / 23 1/4" – 42 9/16" |
| Minimum distance above cooktop / range cooking surface | Min. 30" electric / 30" gas | Min. 24" electric / 27" gas |
| Diameter of air duct, top | 8" | 8" |
| Net weight | 53 lbs | 53 lbs |

HS=High Speed; WS=Working Speed

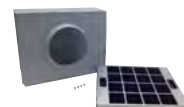
Optional Accessories



HCPEXT5UC
Chimney Extension for 9–11.5 ft. ceilings for use with HCP56652UC and HCP36E52UC



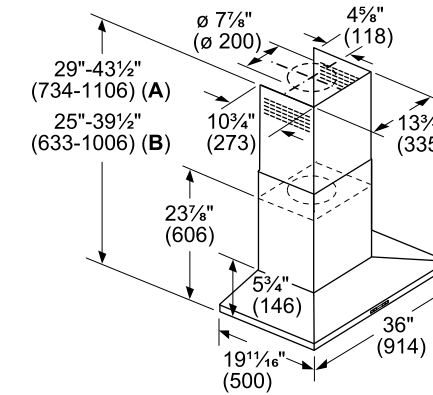
HCIFILTUC
Filter Kit



HCREC5UC
Recirculation Kit

500 / 300 Series 36" Chimney Wall Hoods

36" HCP56652UC
Pyramid Canopy Chimney Hood

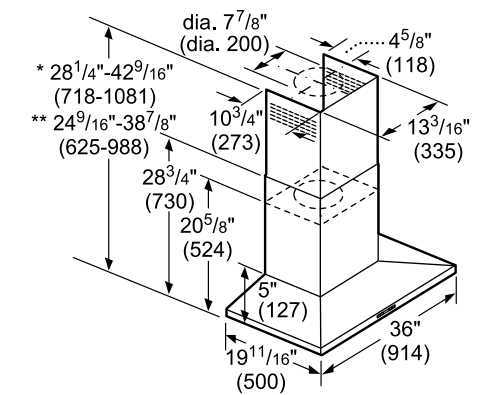


A: Recirculating installation
B: Ducted installation

Installation height above cooking surface:
Min. 30" (762 mm) to Electric
Min. 30" (762 mm) to Gas

measurements in inches (mm)

36" HCP36E52UC
Pyramid Canopy Chimney Hood

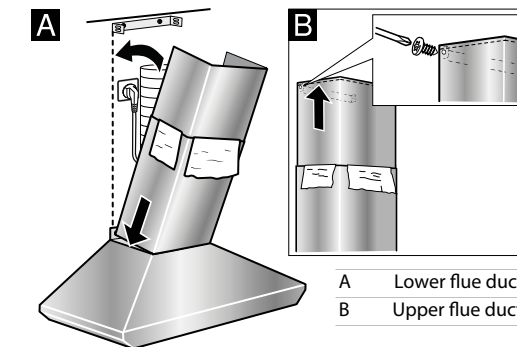


* Recirculating installation
** Installation with exhaust air duct

Installation height above cooking surface:
Min. 24" (610 mm) for electric
Min. 27" (686 mm) for gas

measurements in inches (mm)

36" Pyramid Canopy Chimney Hood



A Lower flue duct
B Upper flue duct



800 Series 42" Island Hood



**42" 800 Series
Box Canopy Island Hood
HIB82651UC**

- 4 Halogen Lights
- Stainless Steel Filters with Metal Latch
- 9 ft.–11.5 ft. Duct Cover Extension Accessory

42" Box Canopy Island Hood

Stainless Steel – HIB82651UC

General Properties

| | |
|---------------------------|-------------------------------------|
| Operating mode | Convertible: ducted / recirculating |
| CFM (HVI Certified) | 520 HS / 180 WS |
| Sones (HVI Certified) | 12.5 HS / 2 WS |
| Number of speed settings | 4-stage |
| Motor location | Integrated motor in hood chimney |
| Number and type of lights | 4 Halogen |
| Light lumens | 360 |
| Light color | 3000° K |
| Total power of the lamps | 80 W |
| Damper included | Yes |
| Grease filter material | Washable stainless steel |
| Grease filter type | Multilayer cassette |

Technical Details

| | |
|-----------|---------|
| Watts | 451 W |
| Volts | 120 V |
| Frequency | 60 Hz |
| Plug type | No plug |

Dimensions & Weight

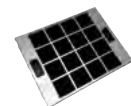
| | |
|---|--|
| Overall appliance dimensions (width of canopy included) (HxWxD) | 29 13/16" – 45 5/16" / 29 13/16" – 50 5/16" x 42 1/16" x 27" |
| Height of the chimney | 27 7/16" – 42 7/8" / 27 7/16" – 47 7/8" |
| Minimum distance above cooktop / range cooking surface | Min. 24" electric / 30" gas |
| Diameter of air duct, top | 8" |
| Net weight | 110 lbs |

HS=High Speed; WS=Working Speed

Optional Accessories



HCIEXT5UC
Chimney Extension for 9–11.5 ft. ceilings for use with HIB82651UC



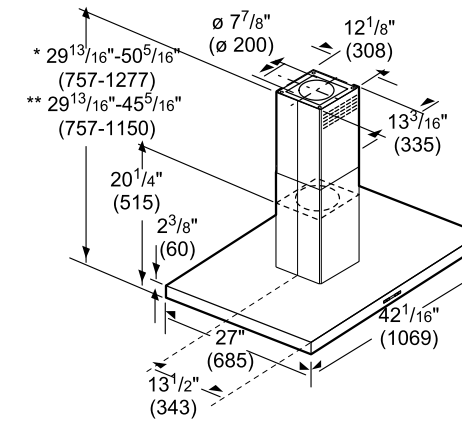
HICIFILTUC
Filter Kit



HIRECSUC
Recirculation Kit for HIB82651UC

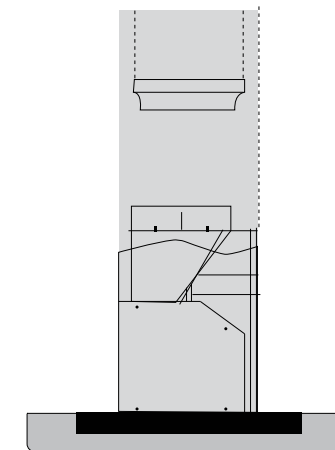
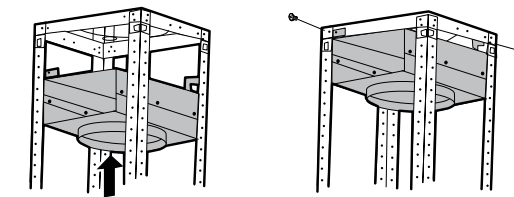
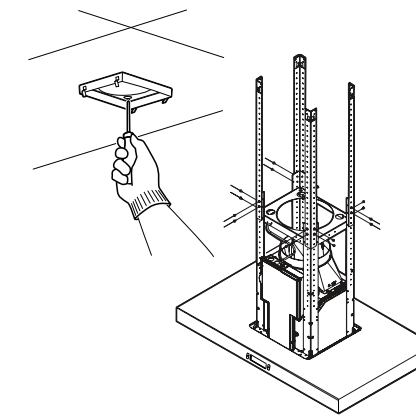
800 Series 42" Island Hood

42" Box Canopy Island Hood



- * Recirculating installation
- ** Ducted installation

measurements in inches (mm)



500 Series Pull-Out Hoods



24" 500 Series Pull-Out Hood
HUI54452UC

- Electronic Control
- 2 LED Lights
- Convertible: Ducted / Recirculating



30" 500 Series Pull-Out Hood
HUI50351UC

- Electronic Control
- 2 Halogen Lights
- Convertible: Ducted / Recirculating



36" 500 Series Pull-Out Hood
HUI56551UC

- Electronic Control
- 2 Halogen Lights
- Convertible: Ducted / Recirculating

| | 24" | 30" | 36" |
|--|------------------------------|------------------------------|------------------------------|
| | Stainless Steel – HUI54452UC | Stainless Steel – HUI50351UC | Stainless Steel – HUI56551UC |

General Properties

| Operating mode | Convertible: ducted / recirculating | Convertible: ducted / recirculating | Convertible: ducted / recirculating |
|---------------------------|-------------------------------------|-------------------------------------|-------------------------------------|
| CFM (AHAM) | 290 HS / 110 WS | 231 HS / 117 WS | 470 HS / 200 WS |
| Sones (AHAM) | 6 HS / 0.6 WS | 3 HS / 1 WS | 9.5 HS / 2.5 WS |
| Number of speed settings | 4-stage | 3-stage | 3-stage |
| Motor location | Integrated motor in hood body | Integrated motor in hood body | Integrated motor in hood body |
| Number and type of lights | 2 LED | 2 Halogen (20 W) | 2 Halogen (20 W) |
| Light lumens | 235 | 320 | 320 |
| Light color | 3000° K | 3000° K | 3000° K |
| Total power of the lamps | 4.2 W | 40 W | 40 W |
| Damper included | Yes | Yes | Yes |
| Grease filter material | Aluminum (dishwasher safe) | Aluminum (dishwasher safe) | Aluminum (dishwasher safe) |
| Grease filter type | Multilayer cassette | Multilayer cassette | Multilayer cassette |

Technical Details

| | | | |
|-------------------|--------------|---------|---------|
| Watts | 199 W | – | – |
| Volts | 120 V | 120 V | 120 V |
| Frequency | 60 Hz | 60 Hz | 60 Hz |
| Plug type | 120V-3 Prong | No plug | No plug |
| Power cord length | 45 1/2" | 50" | 50" |

Dimensions & Weight

| | | | |
|---|----------------------------------|---------------------------------|---------------------------------|
| Overall appliance dimensions (width of canopy included) (HxWxD) | 11 13/16" x 23 9/16" x 11 13/16" | 11 3/4" x 29 7/8" x 11 13/16" | 11 9/16" x 35 7/8" x 11 13/16" |
| Minimum distance above cooktop / range cooking surface | Min. 24" electric / 29 1/2" gas | Min. 24" electric / 29 1/2" gas | Min. 24" electric / 29 1/2" gas |
| Diameter of air duct, top | 6" | 6" | 6" |
| Diameter of air duct, back | N/A | 6" | 6" |
| Net weight | 24 lbs | 26 lbs | 32.5 lbs |

HS=High Speed; WS=Working Speed

Optional Accessories



HVREC5UC
Recirculation Kit for use with HUI54452UC



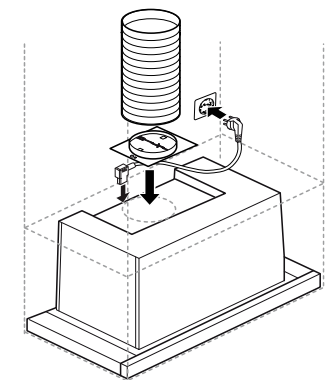
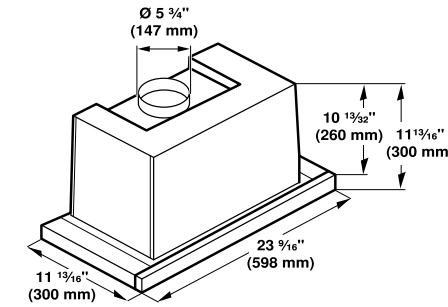
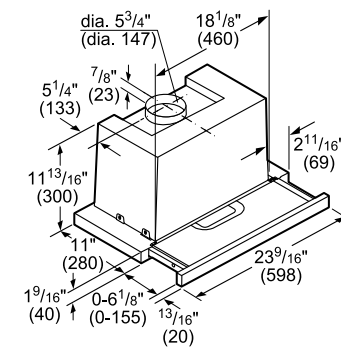
HUIF06UC
Recirculation Kit for use with HUI50351UC and HUI56551UC



HUIRED56UC
CFM Reducer Kit for use with HUI56551UC; Reduces CFM to under 300

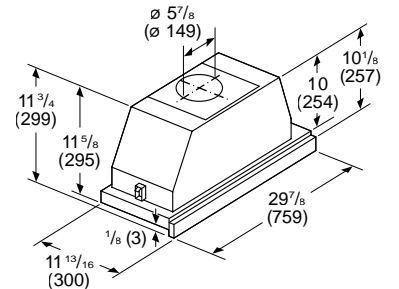
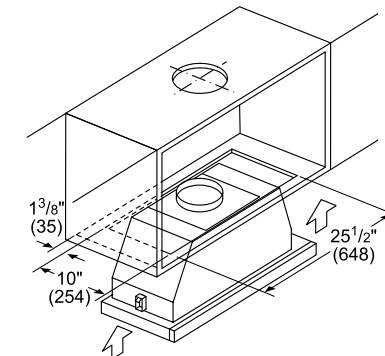
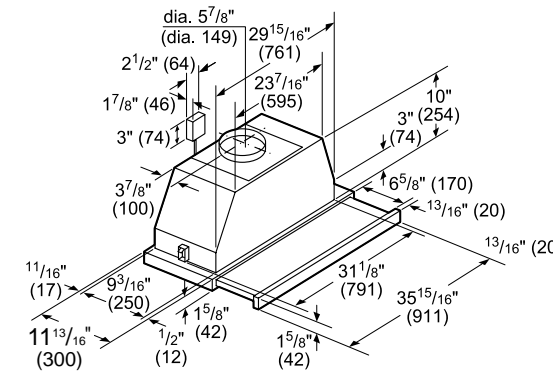
500 Series Pull-Out Hoods

24" HUI54452UC Pull-Out Hood



Installation height above cooking surface:
24"-34" (610-864) to Electric
29 1/2"-34" (750-864) to Gas.
measurements in inches (mm)

30" HUI50351UC Pull-Out Hood

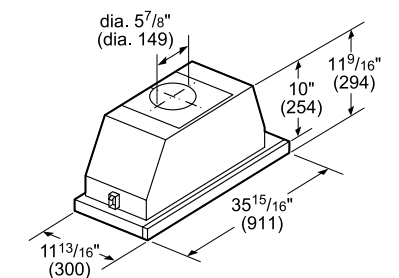
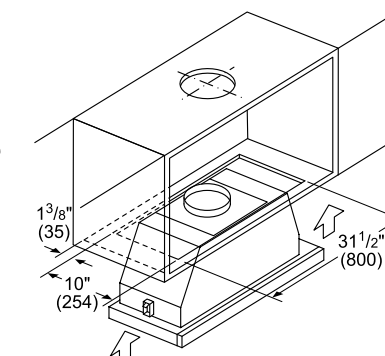
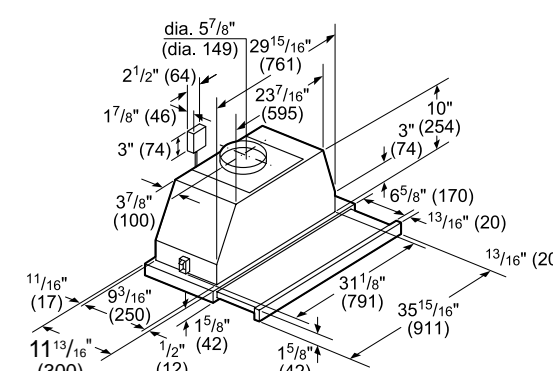


Installation height above cooking surface:
24"-34" (610-864) to Electric
29 1/2"-34" (750-864) to Gas
measurements in inches (mm)

measurements in inches (mm)

Measurements in inches (mm)

36" HUI56551UC Pull-Out Hood



Installation height above cooking surface:
24"-34" (610-864) to Electric
29 1/2"-34" (750-864) to Gas
measurements in inches (mm)

measurements in inches (mm)

measurements in inches (mm)



800 / 500 / 300 Series 30" Under-Cabinet Wall Hoods



30" 800 Series Under-Cabinet Wall Hood
DPH30652UC

- Incandescent Lights
- Aluminum Mesh Filters
- + Professional Design



30" 500 Series Under-Cabinet Wall Hood
DUH30252UC

- + Halogen Lights
- Aluminum Mesh Filters
- + Four Power Levels



30" 300 Series Under-Cabinet Wall Hood
DUH30152UC

- Incandescent Lights
- Aluminum Mesh Filters
- Three Power Levels

+ Indicates a step-up feature

| | 800 Series | 500 Series | 300 Series |
|--|------------------------------|------------------------------|------------------------------|
| | Stainless Steel – DPH30652UC | Stainless Steel – DUH30252UC | Stainless Steel – DUH30152UC |

General Properties

| Operating mode | Convertible: ducted / recirculating | Convertible: ducted / recirculating | Convertible: ducted / recirculating |
|-----------------------------------|-------------------------------------|-------------------------------------|-------------------------------------|
| CFM (HVI Certified) | | | |
| Vertical 7" Discharge | – | 380 HS / 150 WS | 170 HS / 120 WS |
| Vertical 8" Discharge | 500 HS / 170 WS | – | – |
| Vertical 3 1/4" x 10" Discharge | – | 380 HS / 150 WS | – |
| Horizontal 8" Discharge | 520 HS / 180 WS | – | – |
| Horizontal 3 1/4" x 10" Discharge | – | 360 HS / 140 WS | 150 HS / 120 WS |
| Sones (HVI Certified) | | | |
| Vertical 7" Discharge | – | 6.5 HS / 1.3 WS | 4.5 HS / 1.5 WS |
| Vertical 8" Discharge | 12.5 HS / 2 WS | – | – |
| Vertical 3 1/4" x 10" Discharge | – | 8.5 HS / 1.3 WS | – |
| Horizontal 8" Discharge | 12.5 HS / 2 WS | – | – |
| Horizontal 3 1/4" x 10" Discharge | – | 8 HS / 1.4 WS | 6 HS / 3.5 WS |
| Number of speed settings | 2-stage | 4-stage | 3-stage |
| Motor location | Integrated motor in hood body | Integrated motor in hood body | Integrated motor in hood body |
| Number and type of lights | 2 Incandescent | 2 Halogen (bulbs not included) | 2 Incandescent |
| Light lumens | 380 | 380 | 380 |
| Light color | 2700° K | 2700° K | 2700° K |
| Total power of the lamps | 80 W | 100 W | 80 W |
| Damper included | Yes | Yes | Yes |
| Grease filter material | Aluminum | Aluminum | Aluminum |
| Grease filter type | Multilayer cassette | Multilayer cassette | Multilayer cassette |

Technical Details

| | | | |
|-----------|---------|---------|---------|
| Watts | 449 W | 345 W | 236 W |
| Volts | 120 V | 120 V | 120 V |
| Frequency | 60 Hz | 60 Hz | 60 Hz |
| Plug type | No plug | No plug | No plug |

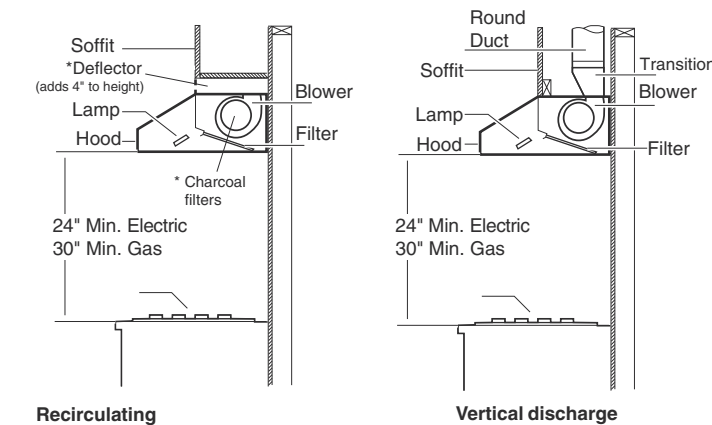
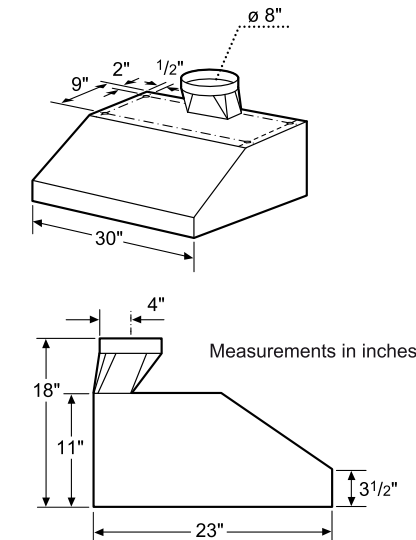
Dimensions & Weight

| | | | |
|---|-----------------------------|-----------------------------|-----------------------------|
| Overall appliance dimensions (width of canopy included) (HxWxD) | 11" x 30" x 23" | 5" x 30" x 20" | 5" x 30" x 20" |
| Minimum distance above cooktop / range cooking surface | Min. 24" electric / 30" gas | Min. 24" electric / 30" gas | Min. 24" electric / 30" gas |
| Diameter of air duct, top | 8" | 7" | 7" |
| Diameter of air duct, back | 8" | 3 1/4" x 10" rectangular | 3 1/4" x 10" rectangular |
| Net weight | 34 lbs | 42 lbs | 42 lbs |

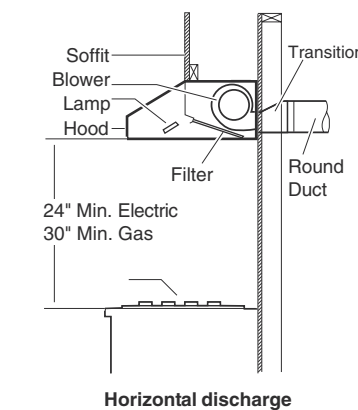
HS=High Speed; WS=Working Speed

800 / 500 / 300 Series 30" Under-Cabinet Wall Hoods

800 Series 30" DPH30652UC Under-Cabinet Hood



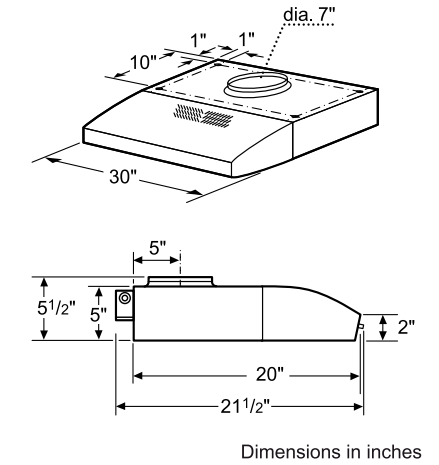
Recirculating
* Optional accessory - Ductless recirculation kit. Adds 4" to height of appliance.



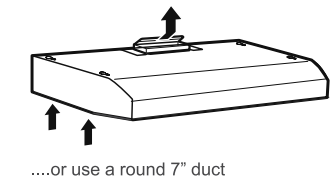
Optional Accessories for 800 Series Under-Cabinet Hood

- DHZ3052UC** Replacement Charcoal Filter
- DRZ3052UC** Recirculation Kit Adds 4" Height to Appliance

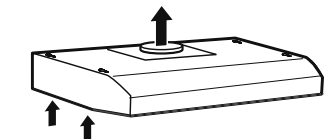
500 / 300 Series 30" DUH30252UC & DUH30152UC Under-Cabinet Hoods



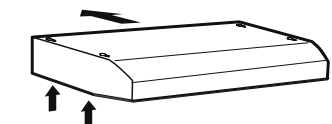
Vertical discharge:
Use a rectangular duct 3 1/4" x 10"....



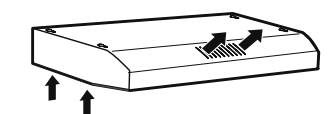
....or use a round 7" duct



Horizontal discharge:
Use a rectangular duct 3 1/4" x 10"



Recirculating (non vented ductless)



Optional Accessories for 500 and 300 Series Under-Cabinet Hoods

- DHZ3002UC** Replacement Charcoal Filter



800 / 500 / 300 Series 36" Under-Cabinet Wall Hoods



36" 800 Series Under-Cabinet Wall Hood
DPH36652UC

- Halogen Lights
- Aluminum Mesh Filters
- + Professional Design



36" 500 Series Under-Cabinet Wall Hood
DUH36252UC

- + Halogen Lights
- Aluminum Mesh Filters
- + Four Power Levels



36" 300 Series Under-Cabinet Wall Hood
DUH36152UC

- Incandescent Lights
- Aluminum Mesh Filters
- Three Power Levels

+ Indicates a step-up feature

| | 800 Series | 500 Series | 300 Series |
|-----------------------------------|-------------------------------------|-------------------------------------|-------------------------------------|
| | Stainless Steel – DPH36652UC | Stainless Steel – DUH36252UC | Stainless Steel – DUH36152UC |
| General Properties | | | |
| Operating mode | Convertible: ducted / recirculating | Convertible: ducted / recirculating | Convertible: ducted / recirculating |
| CFM (HVI Certified) | | | |
| Vertical 7" Discharge | – | 400 HS / 170 WS | 220 HS / 150 WS |
| Vertical 8" Discharge | 510 HS / 170 WS | – | – |
| Vertical 3 1/4" x 10" Discharge | – | 360 HS / 150 WS | 200 HS / 140 WS |
| Horizontal 8" Discharge | 520 HS / 170 WS | – | – |
| Horizontal 3 1/4" x 10" Discharge | – | 380 HS / 160 WS | 220 HS / 140 WS |
| Sones (HVI Certified) | | | |
| Vertical 7" Discharge | – | 7.5 HS / 1.5 WS | 5 HS / 2.5 WS |
| Vertical 8" Discharge | 13.5 HS / 2.5 WS | – | – |
| Vertical 3 1/4" x 10" Discharge | – | 8.5 HS / 1.5 WS | 5 HS / 3 WS |
| Horizontal 8" Discharge | 13 HS / 2 WS | – | – |
| Horizontal 3 1/4" x 10" Discharge | – | 6.5 HS / 1.5 WS | 5 HS / 3 WS |
| Number of speed settings | 2-stage | 4-stage | 3-stage |
| Motor location | Integrated motor in hood body | Integrated motor in hood body | Integrated motor in hood body |
| Number and type of lights | 2 Halogen | 2 Halogen (bulbs not included) | 2 Incandescent |
| Light lumens | 380 | 380 | 380 |
| Light color | 2700° K | 2700° K | 2700° K |
| Total power of the lamps | 80 W | 100 W | 80 W |
| Damper included | Yes | Yes | Yes |
| Grease filter material | Aluminum | Aluminum | Aluminum |
| Grease filter type | Multilayer cassette | Multilayer cassette | Multilayer cassette |

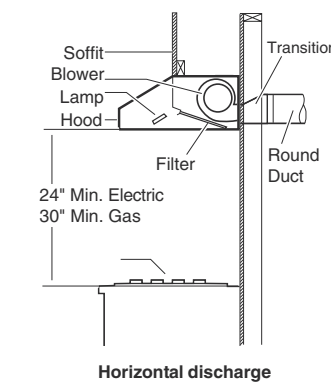
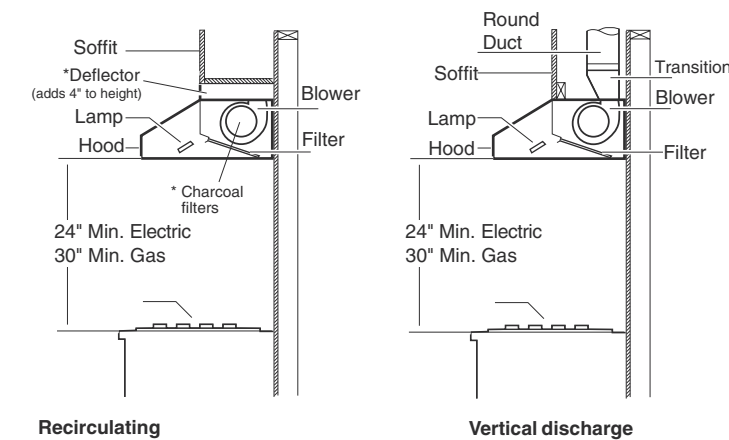
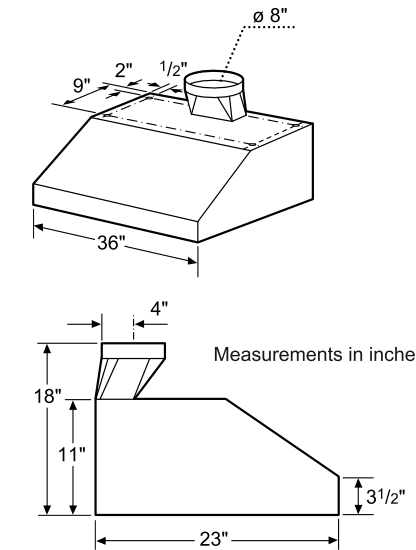
| Technical Details | | | |
|--------------------------|---------|---------|---------|
| Watts | 455 W | 335 W | 229 W |
| Volts | 120 V | 120 V | 120 V |
| Frequency | 60 Hz | 60 Hz | 60 Hz |
| Plug type | No plug | No plug | No plug |

| Dimensions & Weight | | | |
|---|-----------------------------|-----------------------------|-----------------------------|
| Overall appliance dimensions (width of canopy included) (HxWxD) | 11" x 36" x 23" | 5" x 36" x 20" | 5" x 36" x 20" |
| Minimum distance above cooktop / range cooking surface | Min. 24" electric / 30" gas | Min. 24" electric / 30" gas | Min. 24" electric / 30" gas |
| Diameter of air duct, top | 8" | 7" | 7" |
| Diameter of air duct, back | 8" | 3 1/4" x 10" rectangular | 3 1/4" x 10" rectangular |
| Net weight | 34 lbs | 41 lbs | 41 lbs |

HS=High Speed; WS=Working Speed

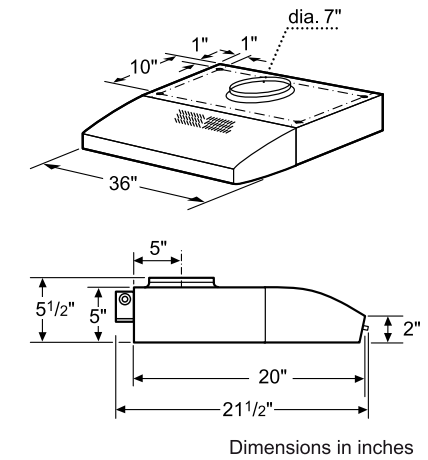
800 / 500 / 300 Series 36" Under-Cabinet Wall Hoods

800 Series 30" DPH36652UC Under-Cabinet Hood

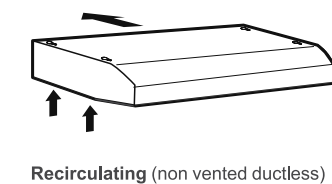
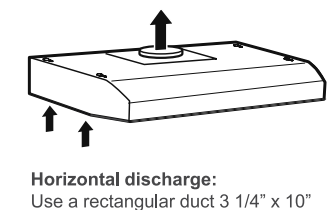
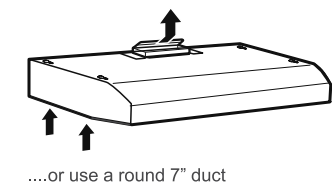


- Optional Accessories for 800 Series Under-Cabinet Hood**
- DHZ3052UC** Replacement Charcoal Filter
 - DRZ3652UC** Recirculation Kit Adds 4" Height to Appliance

500 / 300 Series 30" DUH36252UC & DUH36152UC Under-Cabinet Hoods



Vertical discharge:
Use a rectangular duct 3 1/4" x 10".....



- Optional Accessories for 500 and 300 Series Under-Cabinet Hoods**
- DHZ3602UC** Replacement Charcoal Filter



800 / 300 Series 36" Custom Insert Hoods



800 Series 36" - HUI86553UC Custom Insert Hoods

- 4 Speed Levels
- 2 LED Lights
- Stainless Steel Filters with Latch



300 Series 36" - HUI36253UC Custom Insert Hoods

- 4 Speed Levels
- 2 LED Lights
- Stainless Steel Filters with Latch



+ Indicates a step-up feature

| 800 Series | 300 Series |
|------------------|------------------|
| 36" - HUI86553UC | 36" - HUI36253UC |

| General Properties | | |
|-------------------------------|---------------------------------|---------------------------------|
| Operating mode | Ducted or recirculating | Ducted or recirculating |
| CFM (HVI Certified) | 580 BS / 380 HS / 180 WS | 280 BS / 180 HS / 100 WS |
| Sones (HVI Certified) | 9 BS / 5 HS / 0.7 WS | 3.5 BS / 1.5 HS / 0.3 WS |
| Number of speed settings | 4-stage | 4-stage |
| Motor location | Integrated motor in hood body | Integrated motor in hood body |
| Number of lights | 2 | 2 |
| Bulb type | LED | LED |
| Light lumens | 100 - 150 | 100 - 150 |
| Light color | 3500 - 4000° K | 3500 - 4000° K |
| Total power of the lamps | 6 W | 6 W |
| Damper included | Yes | Yes |
| Grease filter material | Washable Stainless Steel | Washable Stainless Steel |
| Grease filter type | Mesh with stainless steel cover | Mesh with stainless steel cover |
| Home Connect® (Wi-Fi enabled) | Yes | Yes |

| Technical Details | | |
|-------------------|----------|----------|
| Watts | 355 W | 157 W |
| Current | 15 A | 15 A |
| Volts | 120 V | 120 V |
| Frequency | 60 Hz | 60 Hz |
| Plug type | Hardwire | Hardwire |

| Dimensions & Weight | | |
|---|-----------------------------|-----------------------------|
| Overall appliance dimensions (width of canopy included) (HxWxD) | 10 1/2" x 32 1/2" x 10 5/8" | 10 1/2" x 32 1/2" x 10 5/8" |
| Minimum distance above cooktop/range cooking surface | 24" Electric, 30" Gas | 24" Electric, 30" Gas |
| Diameter of air duct, top | 8" | 6" |
| Net weight | 27 lbs. | 27 lbs. |

BS=Boost Speed; HS=High Speed; WS=Working Speed

Optional Accessories

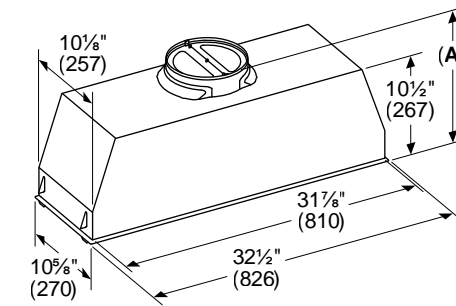
HUIFIL46UC
Charcoal Filter Kit
for use with HUI36253UC

HUIFILTOUC
Charcoal Filter Kit
for use with HUI80553UC and HUI30253UC

800 / 300 Series 36" Custom Insert Hoods

36" HUI86553UC and HUI36253UC Custom Insert Hood Dimensions

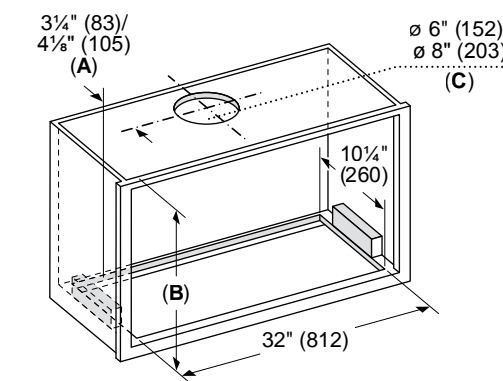
measurements in inches (mm)



- A: Total Height:**
- with 6" duct transition = 12 3/4" (324),
 - with 8" duct transition = 12 5/8" (321)

36" HUI86553UC and HUI36253UC Cutout for Custom Insert

measurements in inches (mm)



- A:** Location of duct opening (from back inside edge of cabinet)
- B:** Min. height for vertical discharge = 15" (381),
Min. height for horizontal discharge or recirculation = 23" (584)
- C:** Pending model/ blower size



Installed in skirted cabinets



Installed in European style cabinets



800 / 300 Series 30" & 24" Custom Insert Hoods



800 Series
30" – HUI80553UC
Custom Insert Hood

- 4 Speed Levels
- 2 LED Lights
- Stainless Steel Filters with Latch



300 Series
30" – HUI30253UC
Custom Insert Hoods

- 4 Speed Levels
- 2 LED Lights
- Stainless Steel Filters with Latch



300 Series
24" – HUI34253UC
Custom Insert Hoods

- 4 Speed Levels
- 2 LED Lights
- Stainless Steel Filters with Latch



+ Indicates a step-up feature

| 800 Series | 300 Series | 300 Series |
|------------------|------------------|------------------|
| 30" – HUI80553UC | 30" – HUI30253UC | 24" – HUI34253UC |

General Properties

| | 800 Series | 300 Series | 300 Series |
|-------------------------------|---------------------------------|---------------------------------|---------------------------------|
| Operating mode | Ducted or recirculating | Ducted or recirculating | Ducted or recirculating |
| CFM (HVI Certified) | 580 BS / 380 HS / 180 WS | 280 BS / 180 HS / 100 WS | 260 BS / 170 HS / 100 WS |
| Sones (HVI Certified) | 9.0 BS / 5.0 HS / 0.7 WS | 3.5 BS / 1.5 HS / <0.3 WS | 4 BS / 2 HS / 0.3 WS |
| Number of speed settings | 4-stage | 4-stage | 4-stage |
| Motor location | Integrated motor in hood body | Integrated motor in hood body | Integrated motor in hood body |
| Number of lights | 2 | 2 | 2 |
| Bulb type | LED | LED | LED |
| Light lumens | 100 – 150 | 100 – 150 | 100 – 150 |
| Light color | 3500 – 4000° K | 3500 – 4000° K | 3500 – 4000° K |
| Total power of the lamps | 6 W | 6 W | 6 W |
| Damper included | Yes | Yes | Yes |
| Grease filter material | Washable Stainless Steel | Washable Stainless Steel | Washable Stainless Steel |
| Grease filter type | Mesh with stainless steel cover | Mesh with stainless steel cover | Mesh with stainless steel cover |
| Home Connect® (Wi-Fi enabled) | Yes | Yes | Yes |

Technical Details

| | | | |
|-----------|----------|----------|----------|
| Watts | 355 W | 157 W | 157 W |
| Current | 15 A | 15 A | 15 A |
| Volts | 120 V | 120 V | 120 V |
| Frequency | 60 Hz | 60 Hz | 60 Hz |
| Plug type | Hardwire | Hardwire | Hardwire |

Dimensions & Weight

| | | | |
|---|-----------------------------|-----------------------------|-----------------------------|
| Overall appliance dimensions (width of canopy included) (HxWxD) | 10 1/2" x 26 1/2" x 10 5/8" | 10 1/2" x 26 1/2" x 10 5/8" | 10 1/2" x 20 1/2" x 10 5/8" |
| Minimum distance above cooktop/range cooking surface | 24" Electric, 30" Gas | 24" Electric, 30" Gas | 24" Electric, 30" Gas |
| Diameter of air duct, top | 8" | 6" | 6" |
| Net weight | 24 lbs. | 24 lbs. | 24 lbs. |

BS=Boost Speed; HS=High Speed; WS=Working Speed

Optional Accessories

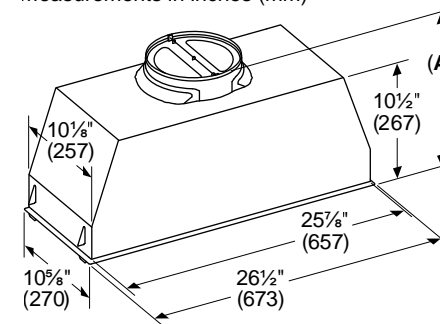
HUIFIL46UC
Charcoal Filter Kit
for use with HUI36253UC
and HUI34253UC

HUIFILTOUC
Charcoal Filter Kit
for use with HUI80553UC and HUI30253UC

800 / 300 Series 30" & 24" Custom Insert Hoods

30" HUI80553UC & HUI30253UC Custom Insert Hood Dimensions

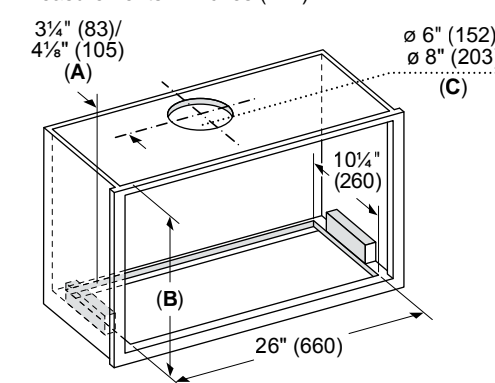
measurements in inches (mm)



A: Total Height:
- with 6" duct transition = 12 3/4" (324)
- with 8" duct transition = 12 5/8" (321)

30" HUI80553UC & HUI30253UC Cutout for Custom Insert

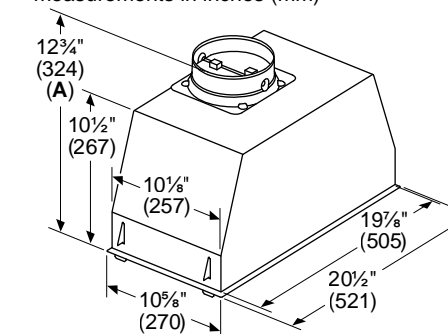
measurements in inches (mm)



A: Location of duct opening (from back inside edge of cabinet)
B: Min. height for vertical discharge = 15" (381), Min. height for horizontal discharge or recirculation = 23" (584)
C: Pending model/ blower size

24" HUI34253UC Custom Insert Hood Dimensions

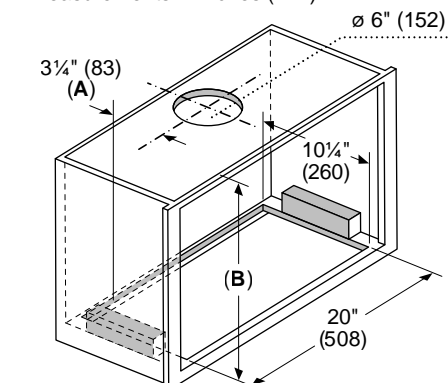
measurements in inches (mm)



A: Total height with 6" (152) duct transition

24" HUI34253UC Cutout for Custom Insert

measurements in inches (mm)



A: Location of duct opening (from back inside edge of cabinet)
B: Min. height for vertical discharge = 15" (381), min. height for horizontal discharge or recirculation = 23" (584)



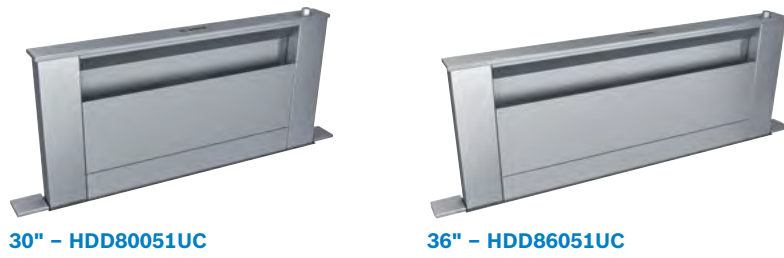
Installed in skirted cabinets



Installed in European style cabinets



800 Series Downdraft Hoods



800 Series Downdraft Hoods

- 12" Telescopic Chimney
- Blower Options (Sold Separately)
- Aluminum Mesh Filters
- Three Power Levels
- Recirculation Option (Sold Separately)*

| | 30" | 36" |
|--|------------------------------|------------------------------|
| | Stainless Steel – HDD80051UC | Stainless Steel – HDD86051UC |

| General Properties | | |
|--------------------------|-------------------------------------|-------------------------------------|
| Operating mode | Convertible: ducted / recirculating | Convertible: ducted / recirculating |
| Number of speed settings | 3-stage | 3-stage |
| Motor location | External | External |
| Damper included | No | No |
| Grease filter material | Aluminum | Aluminum |
| Grease filter type | Multilayer cassette | Multilayer cassette |
| Duct direction | Front, left, right, rear, down | Front, left, right, rear, down |
| Optional blower required | Yes (sold separately) | Yes (sold separately) |
| Technical Details | | |
| Volts (V) | 120 V | 120 V |
| Frequency (Hz) | 60 Hz | 60 Hz |
| Plug type | 120V-3 prong | 120V-3 prong |
| Power cord length (in.) | 30" | 30" |

| Dimensions & Weight | | |
|---|------------------------|------------------------|
| Overall appliance dimensions (width of canopy included) (HxWxD) (in.) | 29 3/8" x 31" x 2 3/4" | 29 3/8" x 37" x 2 3/4" |
| Height of the rise (in.) | 12" | 12" |
| Diameter of air duct (in.) internal | 8" | 8" |
| Diameter of air duct (in.) external | 6" or 8" | 6" or 8" |
| Net weight (lbs) | 37 lbs | 42 lbs |

| Accessories - Required | | |
|--------------------------|-----|-----|
| Blower (sold separately) | Yes | Yes |

| Accessories - Transitions & Blowers | | |
|--------------------------------------|-----------|-----------|
| 6" side / rear / downward transition | HDDSTRAN6 | HDDSTRAN6 |
| 8" side / rear / downward transition | HDDSTRAN8 | HDDSTRAN8 |

NOTE: HDDSTRAN6 or HDDSTRAN8 required for side, rear or downward exhaust applications with inline and remote blowers.

| | | |
|----------------------|-----------|-----------|
| 6" round front plate | HDDFTRAN6 | HDDFTRAN6 |
| 8" round front plate | HDDFTRAN8 | HDDFTRAN8 |

NOTE: HDDFTRAN6 or HDDFTRAN8 required for front exhaust applications with inline and remote blowers.

| | | |
|---------------------------------|-----------|-----------|
| Transition for rectangular duct | HDDSTRAN2 | HDDSTRAN2 |
| 2' rectangular duct | HDD2RECTD | HDD2RECTD |

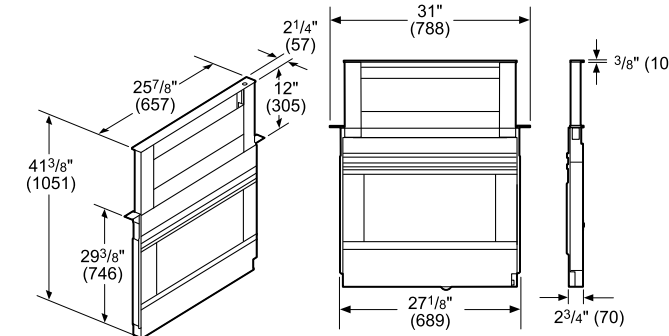
NOTE: HDDSTRAN2 needed to attach HDD2RECTD to downdraft. For use with installation of inline or remote blower applications.

| | | |
|-----------------|-----------|-----------|
| Flexible blower | DHG602DUC | DHG602DUC |
| Inline blower | DHI1FZUC | DHI1FZUC |
| Remote blower | DHR1FZUC | DHR1FZUC |

*Recirculation kit is not compatible with gas cooktop installations with downdraft

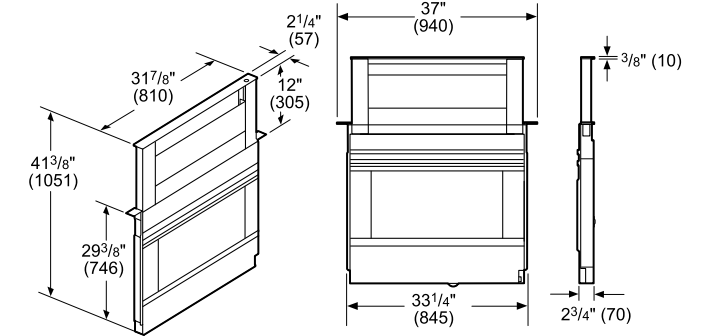
800 Series Downdraft Hoods

30" HDD80051UC Downdraft Hood



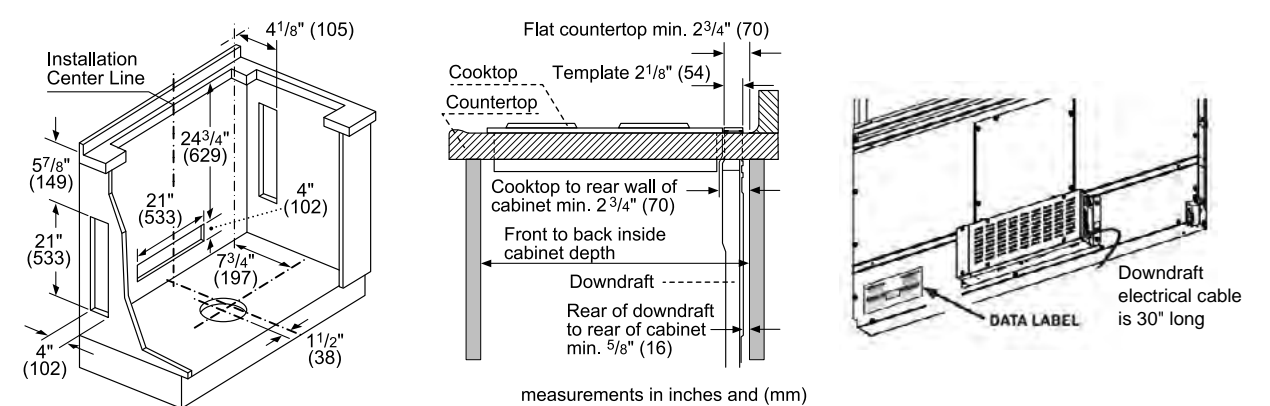
measurements in inches and (mm)

36" HDD86051UC Downdraft Hood



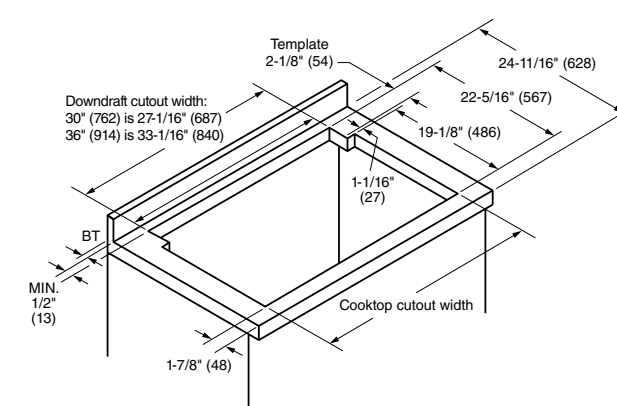
measurements in inches and (mm)

30" & 36" Downdraft Hood Clearances

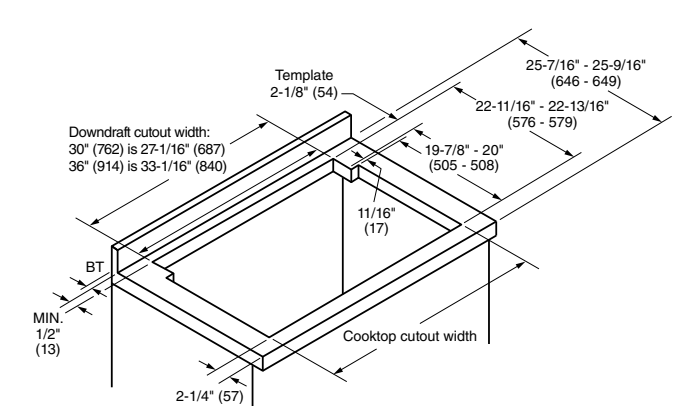


Measurements in inches and (mm)

Downdraft Hood with Gas Cooktop Cutout

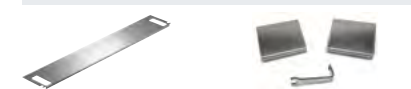


Downdraft Hood with Electric or Induction Cooktop Cutout



NOTE: See page 182 for Downdraft Hood with Gas Rangetop Cutout.

Optional Accessory for 30" Downdraft Hood



HDD0RSP
30" Gas Cooktop Seal Kit for downdraft (required for installation with gas cooktops)

HDDTRIM30S
Trim Kit for 30" FlameSelect® gas cooktops

Optional Accessory for 36" Downdraft Hood



HDD6RSP
36" Gas Cooktop Seal Kit for downdraft (required for installation with gas cooktops)

HDDTRIM36S
Trim Kit for 36" FlameSelect® gas cooktops

Optional Accessories for 30" and 36" Downdraft Hoods



HDDREC5UC
Recirculation Kit (compatible with electric and induction cooktops)

HDDFILTUC
Charcoal Filter Replacement for recirculation kit



800 Series Downdraft Hoods

Inline or Remote Blower Installation – Available Blowers

Downdraft Hood with Gas Rangetop Cutout

measurements in inches (mm)

2 1/8" (54) (B) 28 3/16" (732)

26 3/16" (665)

(A) (D) (C)

A: Downdraft cutout width:
30" (762) is 27 1/16" (687)
36" (914) is 33 3/16" (840)

B: Template

C: Rangetop cutout width

D: Accessory kit required to cover seams after installation.

DHI1FZUC
Inline Blower

14 1/8" (359 mm) dia. 6 1/4" (159 mm) 3 3/8" (86 mm) 9 7/8" (251 mm)

12 3/4" (324 mm) 15 1/2" (394 mm) 13 3/8" (340 mm) 5 7/8" (149 mm)

11 3/4" (298 mm)

- measurements in inches and mm
- For use with Bosch downdrafts
 - Inline blowers can be mounted remotely to minimize blower noise in the cooking area
 - Designed to be mounted inline with the ducting installation
 - Blower is mounted on roof of exterior wall depending on application needs
 - 6" transition required



DHG602DUC
Flexible Integral Blower

10 3/8" (264) 11 5/8" (295) 11 5/8" (295)

12 3/4" (324) 5 1/8" (130) 7 3/8" (187)

5" 5 1/4" (133) 12 3/4" (324)

measurements in inches and (mm)

Flexible blower can mount to downdraft or be used as an inline blower, and can be rotated to exhaust downward or to sides

- Blower is able to mount to downdraft or be used as an inline blower
- Blower can be rotated to exhaust downward or toward sides
- Additional accessories may be required for installation, see manual



DHR1FZUC
Remote Blower

10 7/8" (276 mm) 11 5/8" (295 mm) 10 7/8" (276 mm)

13 1/2" (343 mm) dia. 6" (152 mm) 19" (483 mm)

19 1/2" (495 mm) 14 3/8" (365 mm) 16 5/8" (422 mm)

- measurements in inches and mm
- For use with Bosch downdrafts
 - Can be mounted on the exterior of the home to minimize noise in the cooking area
 - Blower is mounted on roof of exterior wall depending on application needs
 - 6" transition required



800 Series Downdraft Hoods

Optional Accessories

HDDREC5UC
Recirculation Kit for Downdraft

15" (380) 13 3/4" (342) dia. 7 3/4" (dia. 200)

16 1/8" (408) 4 3/4" (119) 17 3/4" (450) 16" (406) 3 3/4" (95)

Measurements in inches and (mm)

When ducting to the exterior is not feasible, downdraft recirculation kit allows filtered air to re-enter the kitchen while cooking

- When ducting is not feasible, kit eliminates need to exhaust outside
- Air is filtered through charcoal filter, then re-enters kitchen
- Includes recirculation module, filter and metal grille vent plate
- Designed to work with both 30" and 36" Bosch downdrafts, HDD series
- Use with induction / electric cooktops only

HDD0RSP
30" Gas Cooktop Seal Kit for Downdraft

4 1/4" (108 mm) 26 7/8" (683 mm) 3/8" (11 mm)

measurements in inches (mm)

30" gas cooktop seal kit required for installation with 30" gas cooktops

- Includes trim, seal, metal grill, and fasteners
- Required for installation with gas cooktops

HDDTRIM30S
Trim Kit for 30" FlameSelect® Gas Cooktops



30" trim kit for installation with 30" FlameSelect® gas cooktops

- Includes trim kit and installation tool
- Required for installation with 30" FlameSelect® gas cooktops

HDDFILTUC
Charcoal Filter Replacement for Recirculation Kit for Downdraft

1 1/2" (38 mm) 4 1/4" (108 mm)

13 3/4" (349 mm)

measurements in inches (mm)

Maintain performance of Bosch downdraft recirculation kit with timely replacement of charcoal filter to capture and filter odors

- Replacement charcoal filter for HDDREC5UC recirculation kit
- Quality charcoal filter effectively captures and filters odors
- Replace charcoal filter every 6 months depending on usage

HDD6RSP
36" Gas Cooktop Seal Kit for Downdraft

4 1/4" (108 mm) 32 7/8" (835 mm) 3/8" (11 mm)

measurements in inches (mm)

36" gas cooktop seal kit required for installation with 36" gas cooktops

- Includes trim, seal, metal grill, and fasteners
- Required for installation with gas cooktops

HDDTRIM36S
Trim Kit for 36" FlameSelect® Gas Cooktops



36" trim kit for installation with 36" FlameSelect® gas cooktops

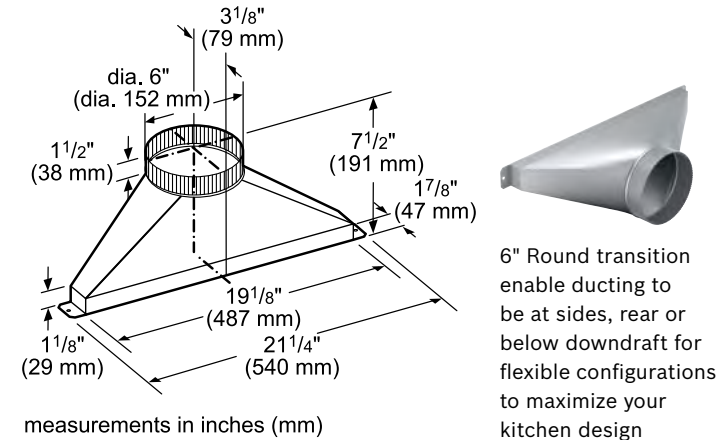
- Includes trim kit and installation tool
- Required for installation with 36" FlameSelect® gas cooktops



800 Series Downdraft Hoods

Inline or Remote Blower Installation – Side / Rear / Downward Transitions

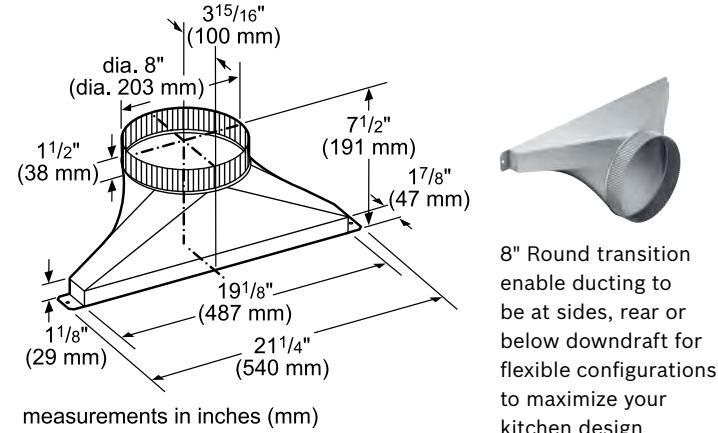
HDDSTRAN6 6" Side / Rear / Downward Transition for Downdraft



6" Round transition enable ducting to be at sides, rear or below downdraft for flexible configurations to maximize your kitchen design

- Flexible transition design allows for left, right, rear or downward venting
- Front rough-in plate may be used with a 6" round duct or elbow
- Ability to use with DHI1FZUC inline and DHR1FZUC remote blowers
- Some blower positions may need deeper cabinets. See installation guide

HDDSTRAN8 8" Side / Rear / Downward Transition for Downdraft



8" Round transition enable ducting to be at sides, rear or below downdraft for flexible configurations to maximize your kitchen design

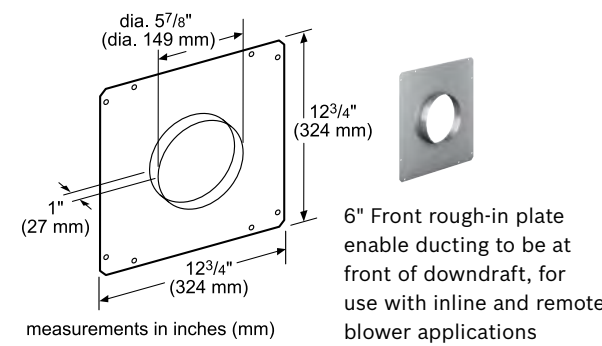
- Flexible transition design allows for left, right, rear or downward venting
- For DHG602DUC flexible downdraft blower used as inline installation
- Some blower positions may need deeper cabinets. See installation guide

NOTE: HDDSTRAN6 or HDDSTRAN8 required for side, rear or downward exhaust applications with inline and remote blowers.

800 Series Downdraft Hoods

Inline or Remote Blower Installation – Round Front Downdraft Plates

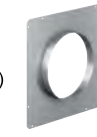
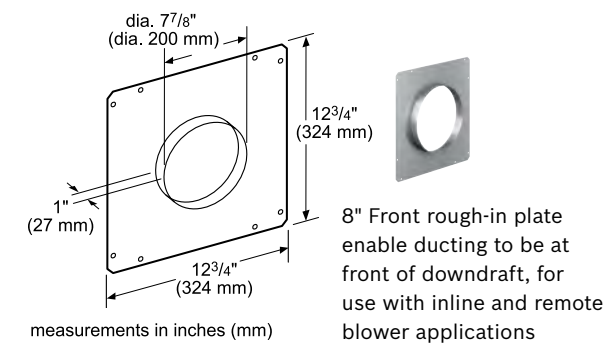
HDDFTRAN6 6" Round Front Plate for Downdraft



6" Front rough-in plate enable ducting to be at front of downdraft, for use with inline and remote blower applications

- Front rough-in plate design allows for front venting
- Front rough-in plate may be used with a 6" round duct or elbow
- Ability to use with DHI1FZUC inline and DHR1FZUC remote blowers

HDDFTRAN8 8" Round Front Plate for Downdraft



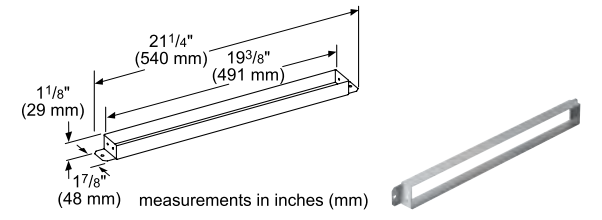
8" Front rough-in plate enable ducting to be at front of downdraft, for use with inline and remote blower applications

- Front rough-in plate design allows for front venting
- Front rough-in plate may be used with a 8" round duct or elbow
- For DHG602DUC flexible downdraft blower used as inline installation

NOTE: HDDFTRAN6 or HDDFTRAN8 front plate required for front exhaust applications with inline and remote blowers.

Inline or Remote Blower Installation – Transition for Rectangular Duct for Downdraft

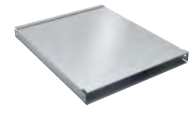
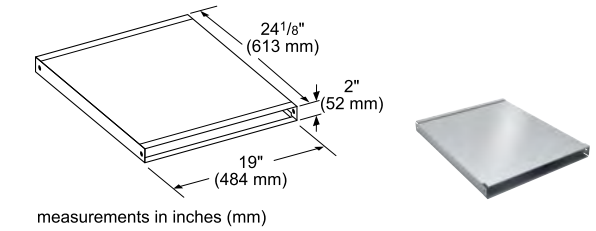
HDDSTRAN2 Transition for Rectangular Duct for Downdraft



Rectangular duct transition required to connect 2' rectangular duct to downdraft

Inline or Remote Blower Installation – 2' Rectangular Duct for Downdraft

HDD2RECTD 2' Rectangular Duct Downdraft



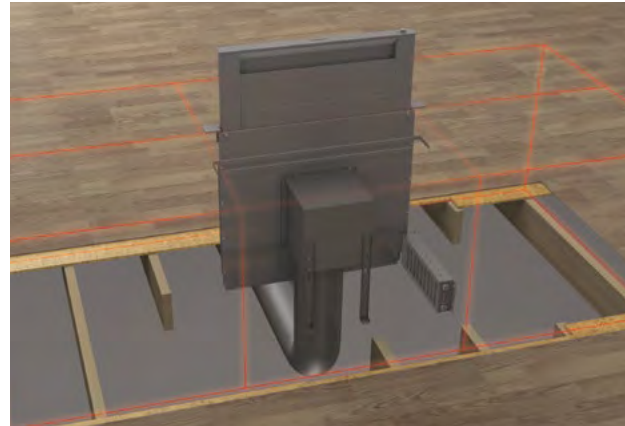
2' Rectangular duct can be used as extension to exhaust through a cabinet or wall while maximizing cabinet storage space

- Duct can be used as an extension to exhaust through a cabinet or wall
- May be attached to sides or rear of downdraft housing
- HDDRECTRN transition needed to connect HDD2RECTD to downdraft housing
- For use with remote or inline blowers



800 Series Downdraft Hoods

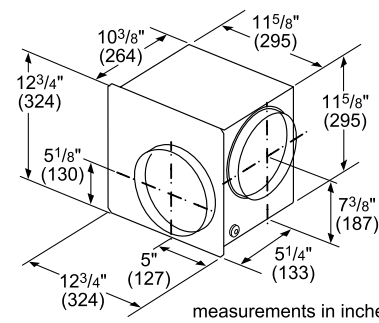
Flexible Blower Installation – Front Exhaust Example



Application

- Flexible blower attached can rotate for left, right or downward discharge
- Front downward application with flexible blower
- Requires space under floor line for ductwork*
- Can be used with optional Recirculation Kit, sold separately
- Elbow, ductwork, blower support structure frame not included

Required Blower



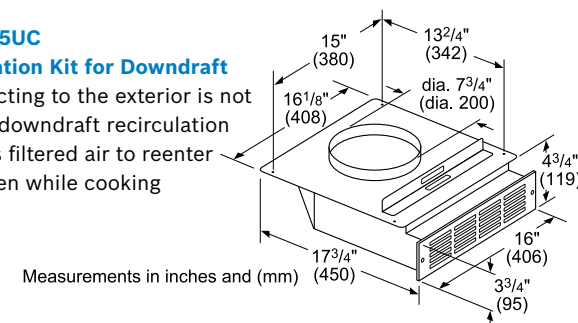
DHG602DUC Flexible Integral Blower
Flexible blower can mount to downdraft or be used as an inline blower, and can be rotated to exhaust downward or to sides

Optional Accessories

HDDREC5UC

Recirculation Kit for Downdraft

When ducting to the exterior is not feasible, downdraft recirculation kit allows filtered air to reenter the kitchen while cooking



HDDFILTUC

Charcoal Filter Replacement for Recirculation Kit for Downdraft

Maintain performance of Bosch downdraft recirculation kit with timely replacement of charcoal filter to capture and filter odors



HDD0RSP

30" Gas Cooktop Seal Kit for Downdraft

30" gas cooktop seal kit required for installation with 30" gas cooktops



HDD6RSP

36" Gas Cooktop Seal Kit for Downdraft

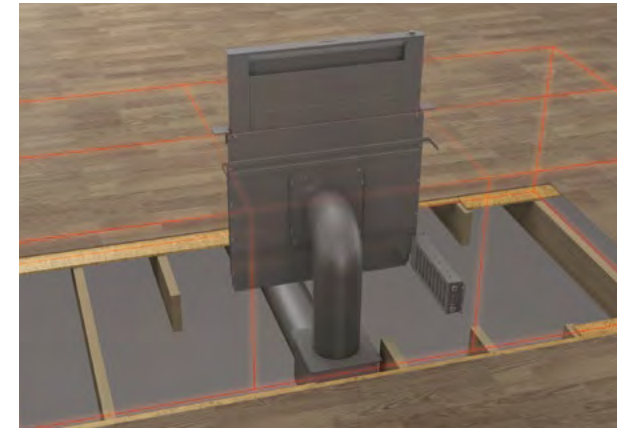
36" gas cooktop seal kit required for installation with 36" gas cooktops



*For only front downward ducting applications, electrical panel must be remotely mounted. Electrical panel can still be remotely mounted in other exhaust configurations if desired. Electrical panel interconnect cable length is 5-ft. long.

800 Series Downdraft Hoods

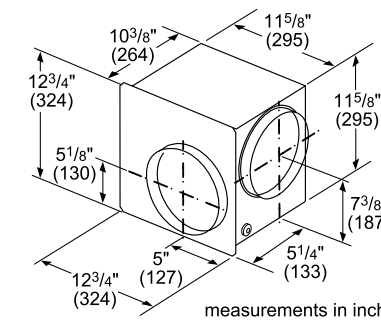
Flexible Blower Installation – Front Exhaust with Flexible Blower Used as an Inline Option Example



Application

- Side exhaust with flexible blower used as inline option if ducting is more convenient with this configuration
- Requires at least 18" of clearance to fit the blower and transition
- Blower must be accessible for maintenance
- Elbow, ductwork, blower support structure frame not included

Required Blower



DHG602DUC Flexible Integral Blower
Flexible blower can mount to downdraft or be used as an inline blower, and can be rotated to exhaust downward or to sides

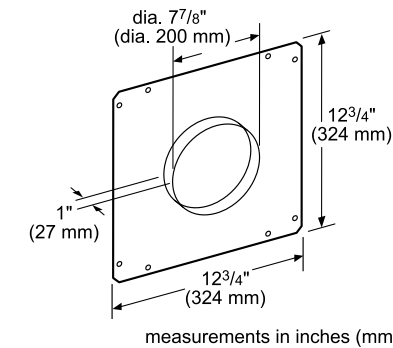
Required Accessories

HDDFRAN8

8" Round Front Plate for Downdraft

8" Front rough-in plate enable ducting to be at front of downdraft, for use with inline and remote blower applications

NOTE: HDDFRAN8 front plate required for front exhaust applications with inline and remote blowers.



Optional Accessories

HDD0RSP

30" Gas Cooktop Seal Kit for Downdraft

30" gas cooktop seal kit required for installation with 30" gas cooktops



HDD6RSP

36" Gas Cooktop Seal Kit for Downdraft

36" gas cooktop seal kit required for installation with 36" gas cooktops

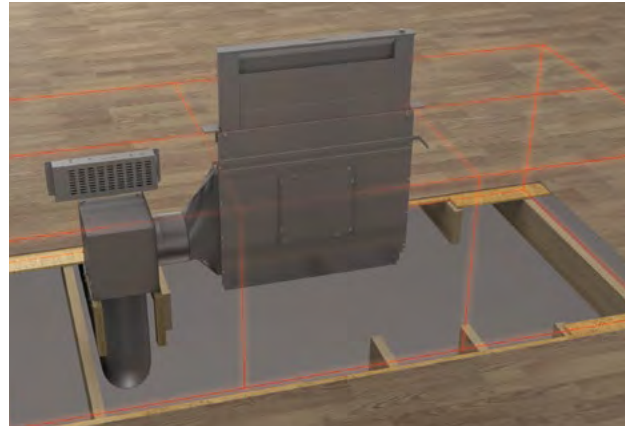


NOTE: Some applications may require deeper cabinets. Side and rear exhaust require at least 18" of clearance to fit the blower and / or ductwork. Refer to installation instructions.

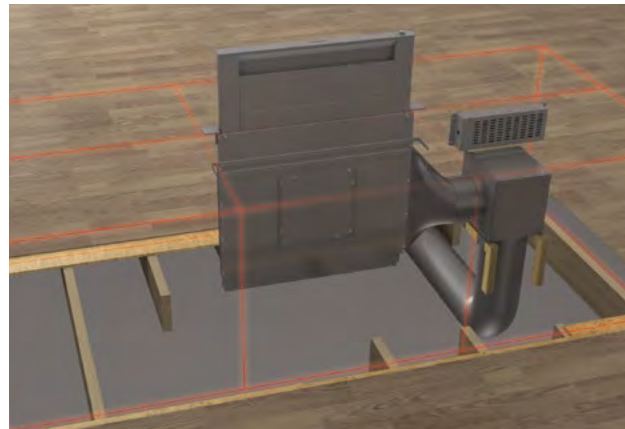


800 Series Downdraft Hoods

Flexible Blower Installation – Side Exhaust Example



Left Side Exhaust

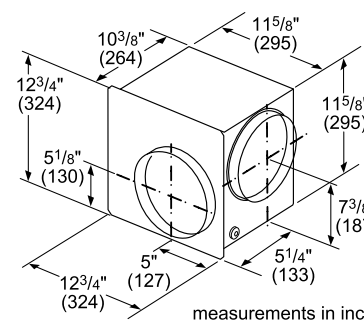


Right Side Exhaust

Application

- Side exhaust option if ducting is more convenient with this configuration
- Requires at least 18" of clearance to fit the blower and transition
- Can be used with optional Recirculation Kit, sold separately
- Elbow, ductwork, blower support structure frame not included

Required Blower

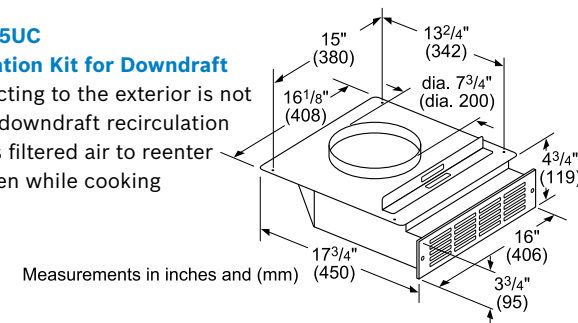


DHG602DUC Flexible Integral Blower
Flexible blower can mount to downdraft or be used as an inline blower, and can be rotated to exhaust downward or to sides

Optional Accessories

HDDREC5UC Recirculation Kit for Downdraft

When ducting to the exterior is not feasible, downdraft recirculation kit allows filtered air to reenter the kitchen while cooking



HDDFILTUC Charcoal Filter Replacement for Recirculation Kit for Downdraft

Maintain performance of Bosch downdraft recirculation kit with timely replacement of charcoal filter to capture and filter odors



HDDORSP 30" Gas Cooktop Seal Kit for Downdraft

30" gas cooktop seal kit required for installation with 30" gas cooktops



HDD6RSP 36" Gas Cooktop Seal Kit for Downdraft

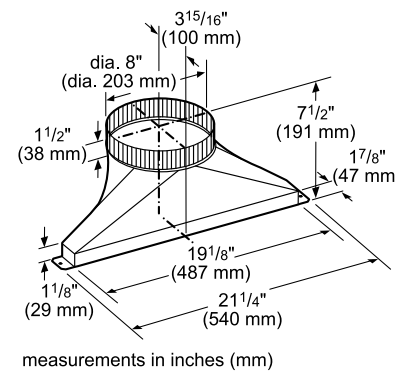
36" gas cooktop seal kit required for installation with 36" gas cooktops



Required Accessories

HDDSTRAN8 8" Side / Rear / Downward Transition for Downdraft

8" Round transition enable ducting to be at sides, rear or below downdraft for flexible configurations to maximize your kitchen design

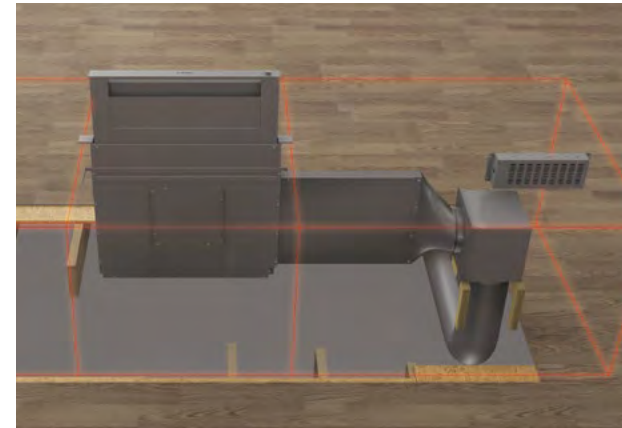


NOTE: HDDSTRAN8 side / rear / downward transition required for side, rear or downward exhaust applications with inline and remote blowers.

NOTE: Some applications may require deeper cabinets. Side and rear exhaust require at least 18" of clearance to fit the blower and / or ductwork. Refer to installation instructions.

800 Series Downdraft Hoods

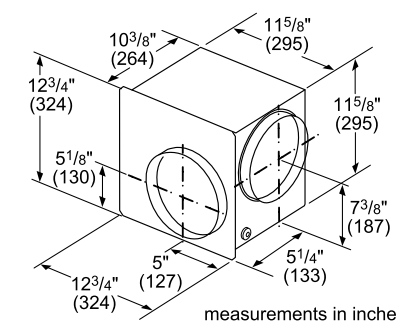
Flexible Blower Installation – Side Exhaust with Slim 2' Rectangular Duct Example



Application

- Side exhaust option if ducting is more convenient with this configuration
- A slim 2' rectangular duct is available to place flexible blower in areas such as unused corner in island or peninsula applications
- Can be used with optional Recirculation Kit, sold separately
- Elbow, ductwork, blower support structure frame not included

Required Blower

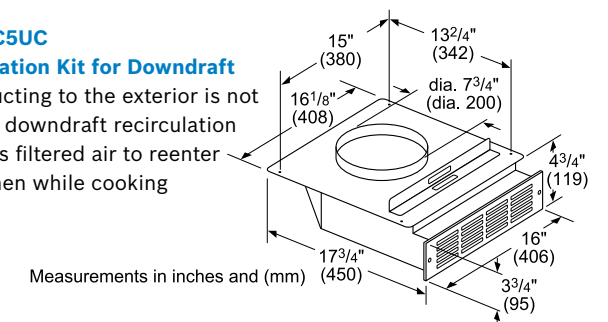


DHG602DUC Flexible Integral Blower
Flexible blower can mount to downdraft or be used as an inline blower, and can be rotated to exhaust downward or to sides

Optional Accessories

HDDREC5UC Recirculation Kit for Downdraft

When ducting to the exterior is not feasible, downdraft recirculation kit allows filtered air to reenter the kitchen while cooking



HDDFILTUC Charcoal Filter Replacement for Recirculation Kit for Downdraft

Maintain performance of Bosch downdraft recirculation kit with timely replacement of charcoal filter to capture and filter odors



HDDORSP 30" Gas Cooktop Seal Kit for Downdraft

30" gas cooktop seal kit required for installation with 30" gas cooktops



HDD6RSP 36" Gas Cooktop Seal Kit for Downdraft

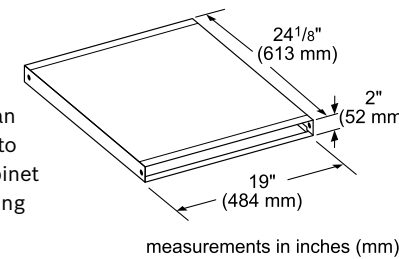
36" gas cooktop seal kit required for installation with 36" gas cooktops



Required Accessories

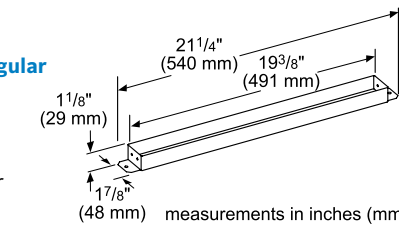
HDD2RECTD 2' Rectangular Duct Downdraft

2' Rectangular duct can be used as extension to exhaust through a cabinet or wall while maximizing cabinet storage space



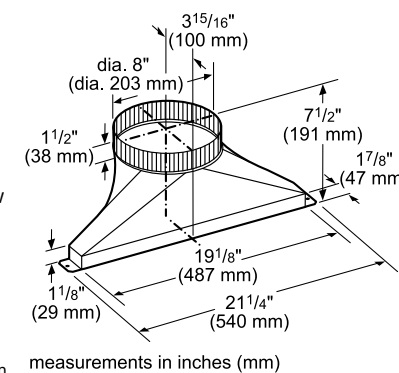
HDDSTRAN2 Transition for Rectangular Duct for Downdraft

Rectangular duct transition required to connect 2' rectangular duct to downdraft



HDDSTRAN8 8" Side / Rear / Downward Transition for Downdraft

8" Round transition enable ducting to be at sides, rear or below downdraft for flexible configurations to maximize your kitchen design



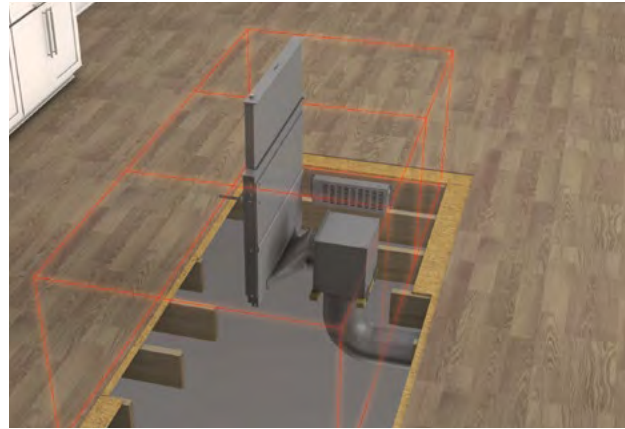
NOTE: HDDSTRAN8 side / rear / downward transition required for side, rear or downward exhaust applications with inline and remote blowers.

NOTE: Some applications may require deeper cabinets. Side and rear exhaust require at least 18" of clearance to fit the blower and / or ductwork. Refer to installation instructions.



800 Series Downdraft Hoods

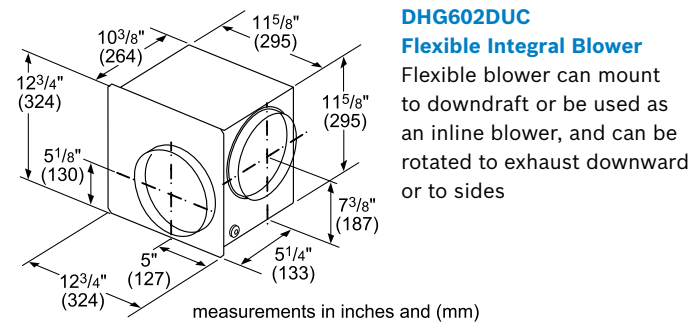
Flexible Blower Installation – Rear Exhaust Example



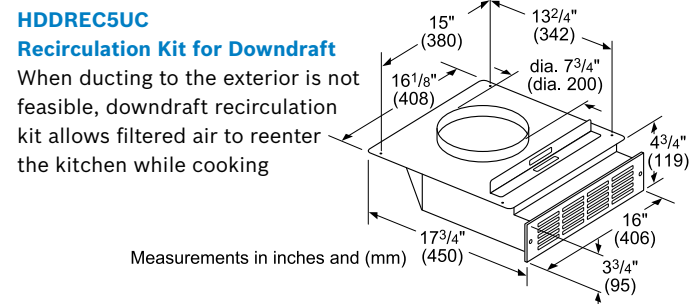
Application

- Rear exhaust option is possible if ducting is more convenient with this configuration
- Requires at least 18" of clearance to fit the blower and transition
- Blower must be accessible for maintenance
- Can be used with optional Recirculation Kit, sold separately
- Elbow, ductwork, blower support structure frame not included

Required Blower



Optional Accessories



HDDFILTUC Charcoal Filter Replacement for Recirculation Kit for Downdraft
Maintain performance of Bosch downdraft recirculation kit with timely replacement of charcoal filter to capture and filter odors



HDDORSP 30" Gas Cooktop Seal Kit for Downdraft
30" gas cooktop seal kit required for installation with 30" gas cooktops



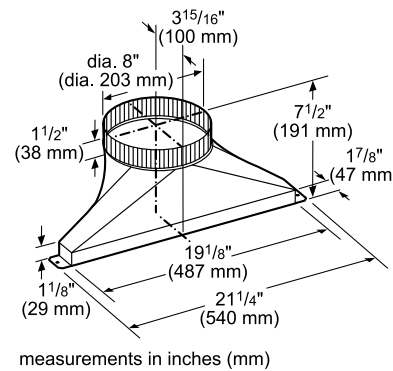
HDD6RSP 36" Gas Cooktop Seal Kit for Downdraft
36" gas cooktop seal kit required for installation with 36" gas cooktops



Required Accessories

HDDSTRAN8 8" Side / Rear / Downward Transition for Downdraft

8" Round transition enable ducting to be at sides, rear or below downdraft for flexible configurations to maximize your kitchen design

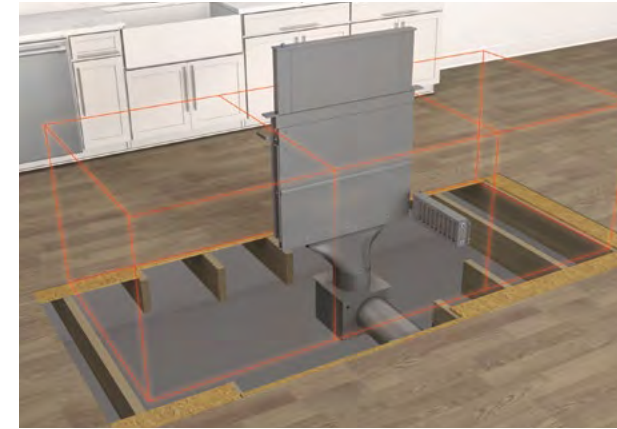


NOTE: HDDSTRAN8 side / rear / downward transition required for side, rear or downward exhaust applications with inline and remote blowers.

NOTE: Some applications may require deeper cabinets. Side and rear exhaust require at least 18" of clearance to fit the blower and / or ductwork. Refer to installation instructions.

800 Series Downdraft Hoods

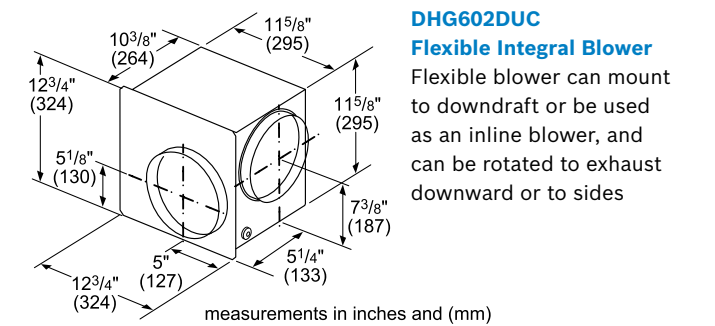
Flexible Blower Installation – Downward Exhaust Example



Application

- Downward exhaust option if ducting is more convenient with this configuration
- Requires at least 18" of clearance to fit the blower and transition
- Can be used with optional Recirculation Kit, sold separately
- Elbow, ductwork, blower support structure frame not included
- Blower must be accessible for maintenance
- Can also be installed with inline and remote blowers

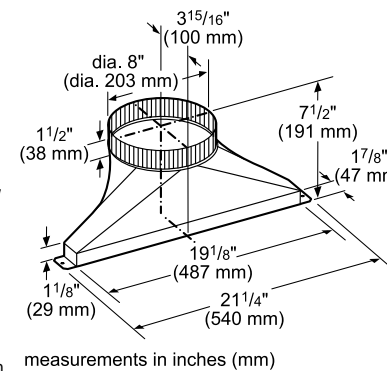
Required Blower



Required Accessories

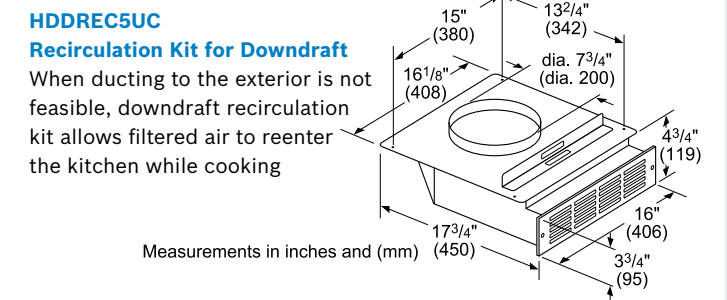
HDDSTRAN8 8" Side / Rear / Downward Transition for Downdraft

8" Round transition enable ducting to be at sides, rear or below downdraft for flexible configurations to maximize your kitchen design



NOTE: HDDSTRAN8 side / rear / downward transition required for side, rear or downward exhaust applications with inline and remote blowers.

Optional Accessories



HDDFILTUC Charcoal Filter Replacement for Recirculation Kit for Downdraft
Maintain performance of Bosch downdraft recirculation kit with timely replacement of charcoal filter to capture and filter odors



HDDORSP 30" Gas Cooktop Seal Kit for Downdraft
30" gas cooktop seal kit required for installation with 30" gas cooktops

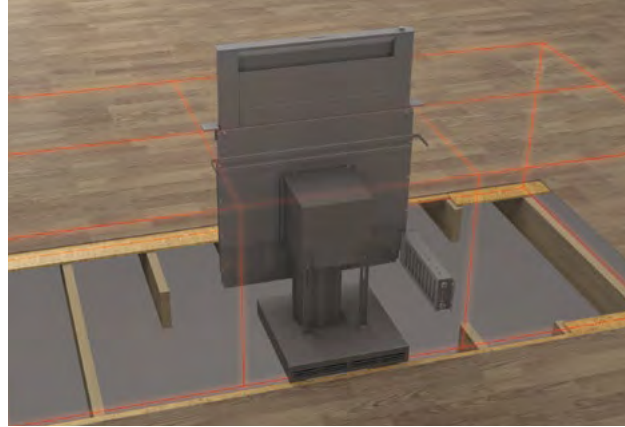


HDD6RSP 36" Gas Cooktop Seal Kit for Downdraft
36" gas cooktop seal kit required for installation with 36" gas cooktops



800 Series Downdraft Hoods

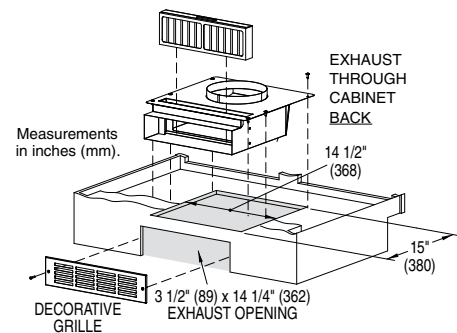
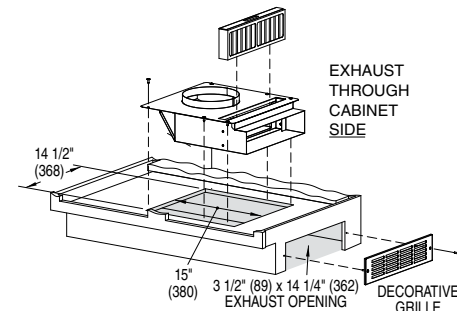
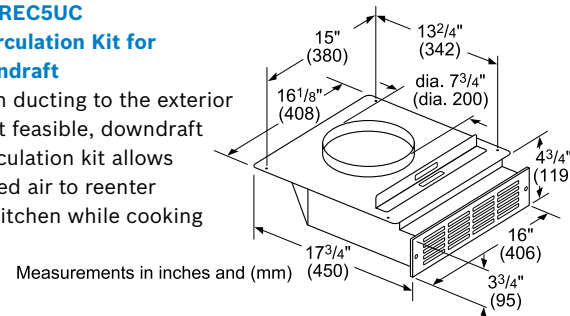
Flexible Blower Installation – Recirculation Example



Required Accessories

HDDREC5UC Recirculation Kit for Downdraft

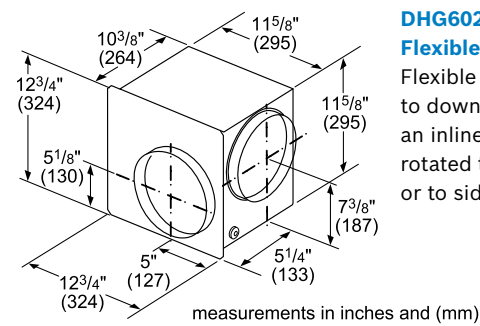
When ducting to the exterior is not feasible, downdraft recirculation kit allows filtered air to reenter the kitchen while cooking



Application

- Allows for non-ducted downdraft installation by eliminating the need to exhaust to the exterior of the home
- Mount to toe kick or base of a cabinet and attach directly to flexible blower
- Recirculation module and metal grill vent plate placement can be rotated for flexible exhaust placement
- Elbow, ductwork, blower support structure frame not included

Required Blower



**DHG602DUC
Flexible Integral Blower**
Flexible blower can mount to downdraft or be used as an inline blower, and can be rotated to exhaust downward or to sides

Optional Accessories

HDDFILTUC Charcoal Filter Replacement for Recirculation Kit for Downdraft

Maintain performance of Bosch downdraft recirculation kit with timely replacement of charcoal filter to capture and filter odors



HDD0RSP 30" Gas Cooktop Seal Kit for Downdraft

30" gas cooktop seal kit required for installation with 30" gas cooktops



HDD6RSP 36" Gas Cooktop Seal Kit for Downdraft

36" gas cooktop seal kit required for installation with 36" gas cooktops



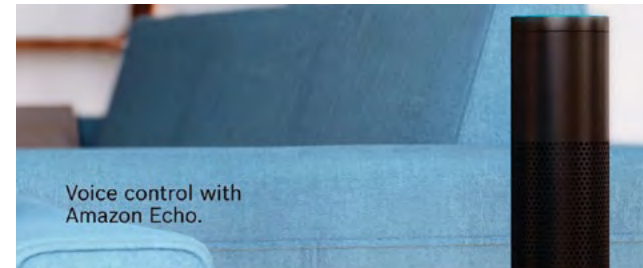
Simply Connected Ventilation

Bosch chimney hoods with Home Connect® offer intuitive connectivity, designed to help you take control of your day, in your own way:



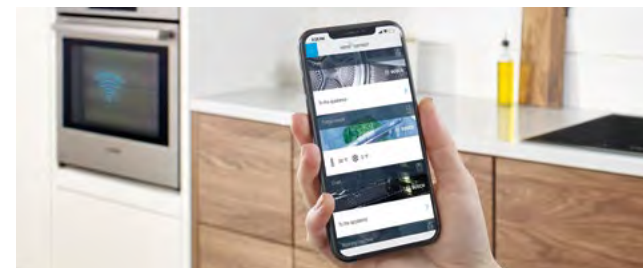
Cooktop-Hood Control

Cooktop-hood control enables you to control your Wi-Fi synced Bosch cooktop and hood at the touch of a button. Program your hood to automatically start the fan when you start cooking, customize a lighting design, change the fan speed from your smart device and more.



Voice Control

Connect with your smart home. Use your voice assistant to bring the convenience of hands-free operation to your connected hood.



Notifications

Optional push notifications alert you to when it is time to clean your grease filter or change your charcoal filter (for recirculated models).



Remote Diagnostics

Remote diagnostics allows for more efficient service solutions and the ultimate peace of mind. Smart support, smart solutions—all within an app.



Customize Settings

Personalize appliance settings such as lighting design, fan speed, shut-off timer, and filter tracking to your needs, all through the Home Connect® app.



Online Shop

Shop the accessories available for your cooktop with a link to the Bosch online shop.

NOTE: Pair with a Bosch Induction Cooktop with Home Connect®. See pages 28, 30, 32 and 34 for compatible models.





Dishwashers

From legendary quiet performance to the promise of sparkling clean dishes – Bosch dishwashers once again set the standard.

The industry's most advanced clean meets the ultimate dry. Our newest innovation, PowerControl™ spray arm targets your dirtiest dishes for the deepest clean, while our legendary CrystalDry™ transforms moisture into heat to get dishes, including plastics, 60% drier.*

PrecisionWash® on Bosch dishwashers offers intelligent sensors that continually scan and check the progress of dishes throughout the cycle, and powerful, precision spray arms go to work to target every item of every load.

*Based on aggregate average drying performance of Bosch Dishwashers with CrystalDry™ on combined household load including plastics, glass, steel, and porcelain as compared to Bosch Dishwashers with PureDry®. Drying performance may vary by dish type when dishwasher is used as instructed. Excludes SPE68C75UC, SPX68C75UC, SPV68C73UC.



Benchmark™ Series Dishwashers

include these features:



CrystalDry™ Technology

The ultimate dry. Patented CrystalDry™ technology transforms moisture into heat up to 176°F to get dishes, including plastics, 60% drier.**



PowerControl™ Spray Arm

PowerControl™ spray arm targets your dirtiest dishes with a deeper clean, no matter where you load them on the bottom rack.



Smooth-rolling Ball Bearings

Smooth-rolling ball bearings add a smoother glide to all three racks, so you get a more premium feel with every pull—even when the rack is fully loaded.*



FlexSpace® Plus Tines

FlexSpace® Plus tines give you complete flexibility. Either fold down every other tine in the row or fold them all down—to create space to load larger dishes such as pasta bowls or even small frying pans more efficiently.*



Interior Light

A bright white interior light adds an aesthetic accent in the kitchen and makes loading easier in dim lighting.*



TimeLight®

The TimeLight® shines the amount of time remaining in the cycle right on the floor or in the pocket handle (SHP9PCM5N).

*Available on select Benchmark™ Series models only.

**Based on aggregate average drying performance of Bosch Dishwashers with CrystalDry™ on combined household load including plastics, glass, steel, and porcelain as compared to Bosch Dishwashers with PureDry®. Drying performance may vary by dish type when dishwasher is used as instructed. Excludes SPE68C75UC, SPX68C75UC, SPV68C73UC.



Our best, now even better.

Enhanced, industry-leading performance. Smarter simplification. Plus, a whole new look. The next generation of Bosch dishwashers builds upon our legacy of exceptional engineering, with ultra-quiet operation, trusted reliability and unmistakable Bosch quality.



The industry's most advanced clean meets the ultimate dry.

Introducing PowerControl™*

Bosch dishwashers once again set the standard. Our newest innovation, PowerControl™ spray arm targets your dirtiest dishes for the deepest clean, while our legendary CrystalDry™ technology gives dishes, including plastics, the ultimate dry.

*Available on Benchmark™ and 800 Series dishwashers. Excludes ADA and German-made models.

New designs

Sleek and streamlined, from handles to control panels.

Our dishwashers feature a variety of new design options to enhance any kitchen.



More connectivity

Now with Home Connect® on every Bosch dishwasher.

Bosch Wi-Fi enabled dishwashers allow you to clean smarter, not harder, with Home Connect®.

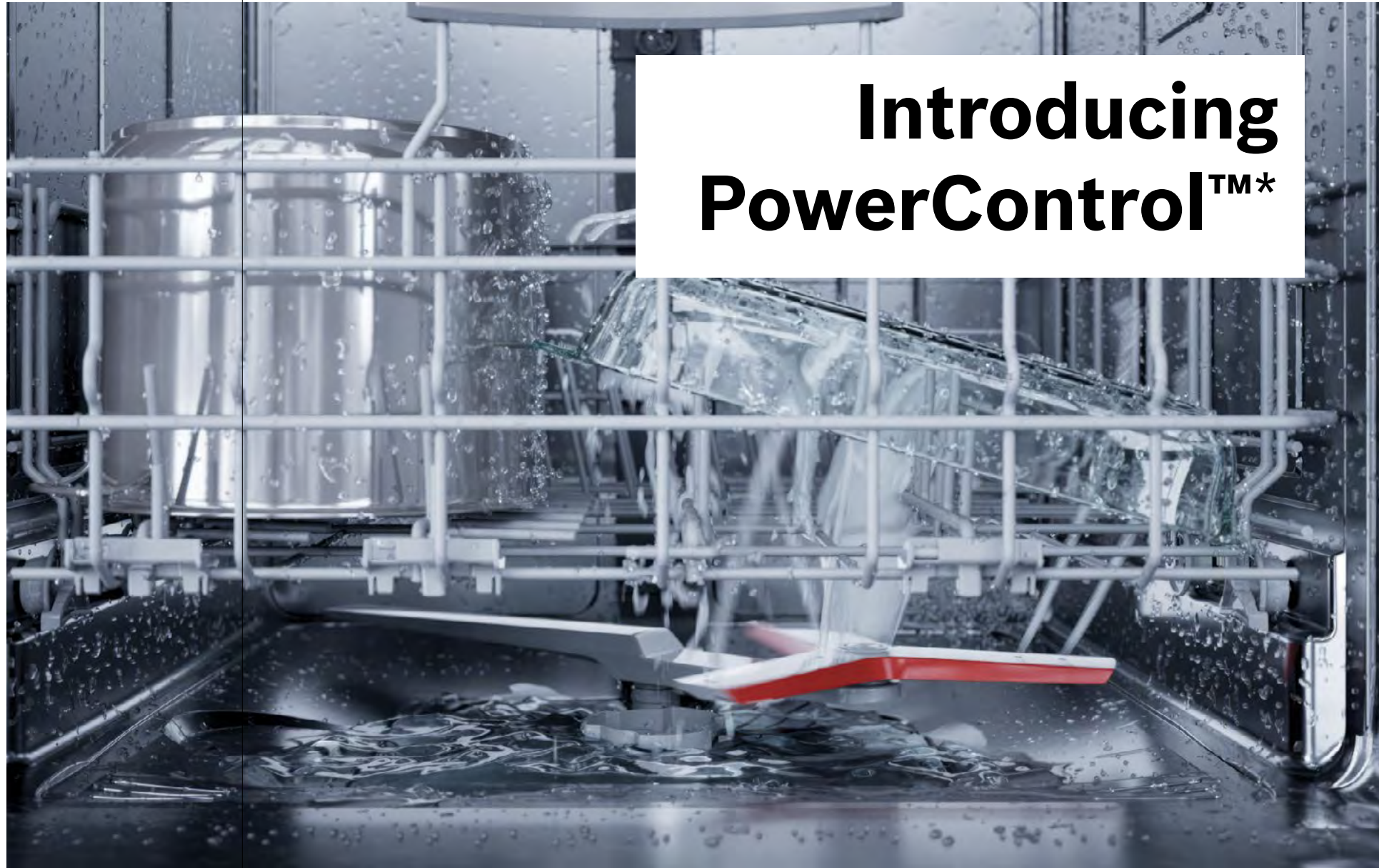




Scan here to learn more about PowerControl™

Advanced cleaning with PrecisionWash®

With PrecisionWash® on all Bosch dishwashers, simply start your dishwasher and walk away. Intelligent sensors continually scan and check the progress of dishes throughout the cycle, and powerful, precision spray arms go to work targeting every item of every load. So when your dishes are done, so are you.

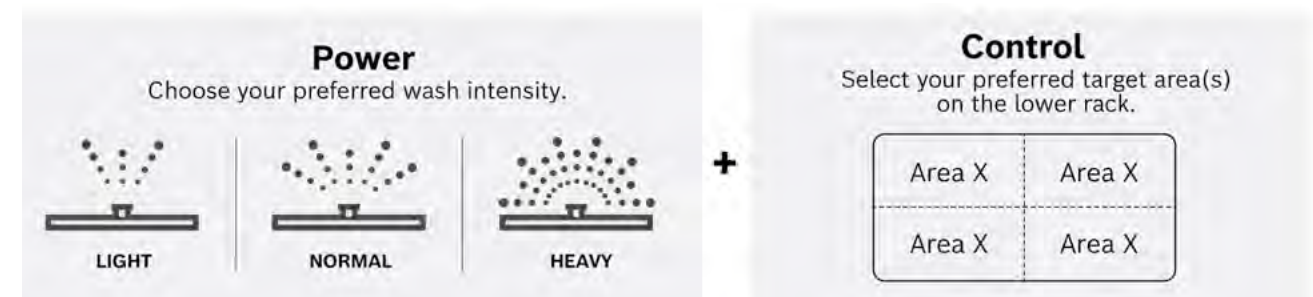


Introducing PowerControl™*

PowerControl™, for the industry's most advanced clean

PowerControl™ spray arm enhances PrecisionWash® performance to target your dirtiest dishes with a deeper clean, no matter where you load them on the bottom rack. No more scrubbing, pre-rinsing, or hand washing.

How it works



With PowerControl™, your toughest, baked-on dishes receive a targeted, powerful clean.

*Available on Benchmark™ and 800 Series dishwashers. Excludes ADA and German-made models.





Scan here to learn more about Bosch drying technologies.

Bosch drying technologies.

Bosch features several energy-efficient drying technologies, each uniquely designed to ensure dishes come out of the drying cycle clean, dry and ready for use. Whether you're looking for more heat, advanced technology, or the flow of fresh air, Bosch delivers a whole new level of dry.



CrystalDry™



The ultimate dry, including plastics.

No matter if it's lunchboxes, salad bowls, plates, or baby bottles, plastic dishes are often the most appropriate choice in our daily life. But useful as they may be, cleaning them in the dishwasher often means more work. At Bosch, we believe dishes should receive a powerful clean and then be thoroughly dry. Patented CrystalDry™ technology on select Bosch dishwashers transforms moisture into heat up to 176° F to get dishes 60% drier,* so you can put away your dishes — even plastics, immediately into the cupboard when the dishwasher is finished.

*Based on aggregate average drying performance of Bosch Dishwashers with CrystalDry™ on combined household load including plastics, glass, steel, and porcelain as compared to Bosch Dishwashers with PureDry™. Drying performance may vary by dish type when dishwasher is used as instructed. Excludes SPE68C75UC, SPX68C75UC, SPV68C73UC.



Benchmark™ Series Dishwashers



- Benchmark™ Series**
- + 39 dBA (Pocket Handle model is 38 dBA)
 - + EasyGlide® Plus rails on all 3 levels
 - + TimeLight® Time Remaining Indicator
 - + Interior Lighting & Water Softener
 - + PrecisionWash® with PowerControl™
 - CrystalDry™



+ Indicates a step-up feature

Benchmark™ Series

- Pocket Handle – SHP9PCM5N
- Bar Handle – SHX9PCM5N
- Custom Panel – SHV9PCM3N

General Properties

| | |
|---------------------------------|---|
| Number of wash cycles / options | 5 + 4 additional in Home Connect® / 4 + 4 additional in Home Connect® |
| dBA | 38 / 39 / 38 |
| Wash system | PrecisionWash® with PowerControl™ |
| Drying system | CrystalDry™ |
| Third rack | Flexible 3rd rack |
| Rack adjustability | RackMatic® |
| Tub material | Stainless steel |
| Control type | Touch control |
| Concealed water heating element | Yes |
| Leak protection system | 24/7 AquaStop® Plus |
| Home Connect® (WiFi enabled) | Yes |
| NSF®-certified* sanitize option | Yes |
| Water softener | Yes |
| Five-level wash | Yes |
| Child Lock button suspension | No |
| Anti-Fingerprint Finish | Yes / Yes / N/A |
| Special features | CrystalDry™ Option, TimeLight®, Interior Light, EasyGlide® Plus rack system |
| Toe kick | Black |

Efficiency and Capacity

| | |
|---------------------------------|---------|
| Water usage per cycle | 3.2 gal |
| ENERGY STAR® certified | Yes |
| Total annual energy consumption | 240 kWh |
| Number of place settings | 16 |

Technical Data

| | |
|--|----------------------------------|
| Watts / Current / Volts / Frequency | 1440 W / 12 Amps / 120 V / 60 Hz |
| Power cord full length | 67" |
| Power cord install length from edge of unit when facing the door | Left – 45" Right – 56" |
| Minimum water pressure | 14 lb/sin |
| Length outlet hose | 78 3/4" |

Dimensions & Weight

| | |
|--------------------------------------|--|
| Overall appliance dimensions (HxWxD) | Pocket and bar handle: 33 7/8" x 23 9/16" x 23 3/4" (Custom panel D: 23 1/16") |
| Required cutout size (HxWxD) | 33 7/8" x 24" x 24" |
| Adjustable feet | Yes |
| Net weight | 117 / 117 / 114 lbs |

Certification to NSF/ANSI Standard 184 for residential dishwashers.

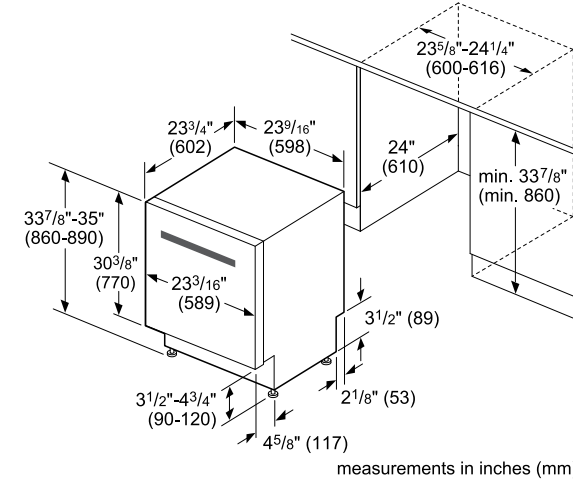
Optional Accessories

| | | | | | | |
|--|---|--|--|--|---|---|
| SMZ3IN1UC Junction Box & Water Supply Hose Kit | SMZSH1ABUC Supply Hose Kit with Elbow | SGZ1010UC Drain Hose Extension Kit | SMZ4000UC Flexible Silverware Basket | SMZ5002UC Anti-Tarnish Silverware Cassette | SMZEPCC1UC Edge Protector + Power Cord Clip Install Kit | SMZ1007UC Stainless Steel Bosch Dishwasher Bar Handle |
|--|---|--|--|--|---|---|

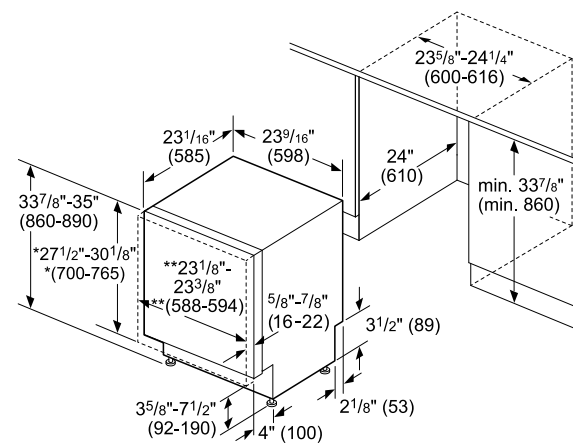
SMZPCJB1UC Junction Box **SMZ5000** Accessory Kit: Extra Tall Item Sprinkler, Vase and Bottle Holder, 3 Plastic Item Clips and Small Item Basket

Benchmark™ Series Dishwashers

Dimensions and Cutout



Custom Panel – Dimensions and Cutout



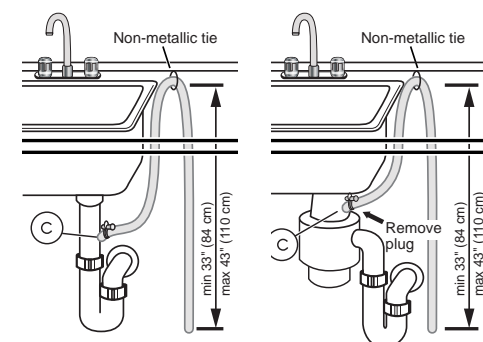
* measured from the bottom edge of the countertop panel thickness recommended 3/4" (20 mm).

This dishwasher can accept custom door panel weights ranging from 7 to 24 lbs; however, the dishwasher comes from the factory ready for custom panel door weights from 11 to 18 lbs. If you plan on using a door panel that is not 11 to 18 lbs. please contact customer service at (800) 944-2904.

** 24" (610 mm) wide panel may be used depending on cabinet design

Note: Refer to installation template for mounting hardware locations measurements in inches (mm)

Plumbing

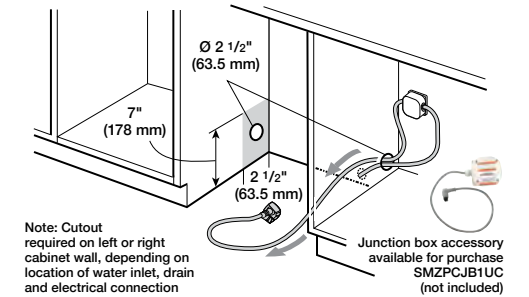


Note: Plumbing installations will vary - refer to local codes. Drain hose included is 79" (201 cm) and can be extended to a maximum of 155 3/4" (396 cm).

Always use the approved drain hose extension kit (SGZ1010UC).

Ensure a portion of the drain hose is raised between min. 33" (84 cm) and max. 43" (110 cm) above the cabinet floor.

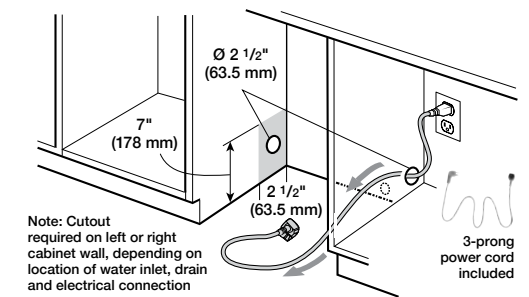
Example of Hardwire Installation



Note: Cutout required on left or right cabinet wall, depending on location of water inlet, drain and electrical connection

Junction box accessory available for purchase SMZPCJB1UC (not included)

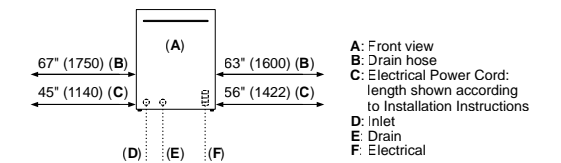
Example of Electrical Receptacle Installation



Note: Cutout required on left or right cabinet wall, depending on location of water inlet, drain and electrical connection

3-prong power cord included

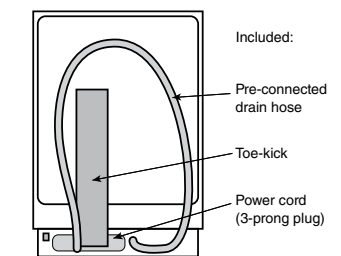
Water and Electrical Locations



All connections are at the rear of the appliance. Extension for drain hose available as accessory. Junction Box for hard wired connection available as an accessory.

Measurements in inches (mm)

Included Parts & Accessories



Benchmark™ Series Dishwashers



- Benchmark™ Series**
- SHE89PW75N**
 - SHX89PW75N**
 - SHV89PW73N**
- +38 dBA (Custom Panel Model is 39 dBA)
 - +Telescopic Glide Rails on All 3 Levels
 - +24/7 AquaStop® Plus
 - PrecisionWash®
 - Stainless Steel Toe Kick
 - Flexible 3rd Rack

+ Indicates a step-up feature

Benchmark™ Series

- Recessed Handle – SHE89PW75N
- Bar Handle – SHX89PW75N
- Custom Panel – SHV89PW73N

General Properties

| | |
|---------------------------------|--|
| Number of wash cycles / options | 7 / 7 |
| dBA | 38 / 38 / 39 |
| Wash system | PrecisionWash® |
| Drying system | PureDry® |
| Third rack | Flexible 3rd rack |
| Rack adjustability | RackMatic® |
| Tub material | Stainless steel |
| Control type | Touch control with TFT display |
| Concealed water heating element | Yes |
| Leak protection system | 24/7 AquaStop® Plus |
| Home Connect® (WiFi enabled) | No |
| NSF®-certified* sanitize option | No |
| Water softener | Yes |
| Five-level wash | Yes |
| Child Lock button suspension | No |
| Anti-Fingerprint Finish | Yes / Yes / N/A |
| Special features | Speed60® cycle, InfoLight®, interior light, telescopic glide rails on 3 levels |
| Toe kick | Stainless steel |

Efficiency and Capacity

| | |
|---------------------------------|---------|
| Water usage per cycle | 2.9 gal |
| ENERGY STAR® certified | Yes |
| Total annual energy consumption | 269 kWh |
| Number of place settings | 15 |

Technical Data

| | |
|--|-------------------------------|
| Watts / Current / Volts / Frequency | 1440 W / 12 A / 120 V / 60 Hz |
| Power cord full length | 67" |
| Power cord install length from edge of unit when facing the door | Left – 45" Right – 45" |
| Minimum water pressure | 7 lb/sin |
| Length outlet hose | 65" / 75" |

Dimensions & Weight

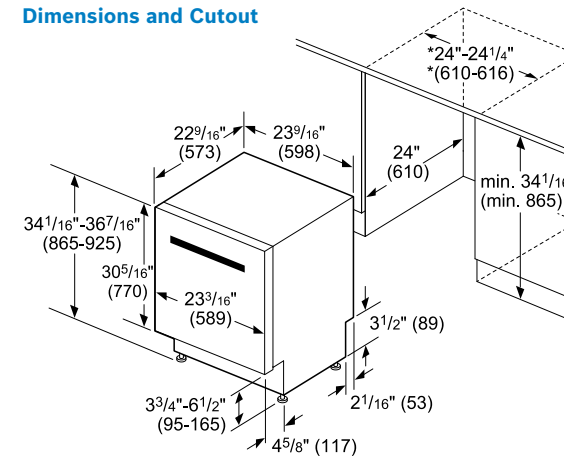
| | |
|--------------------------------------|---|
| Overall appliance dimensions (HxWxD) | Recessed and bar handle: 34 1/16" x 23 9/16" x 22 9/16" (Custom panel D: 21 5/8") |
| Required cutout size (HxWxD) | 34 1/16" x 24" x 24" |
| Adjustable feet | Yes |
| Net weight | 123 / 128 / 118 lbs |

Optional Accessories

| | | | | | | |
|--|--|--|--|--|---|---|
| SMZ3IN1UC Junction Box & Water Supply Hose Kit | SMZSH1ABUC Supply Hose Kit with Elbow | SGZ1010UC Drain Hose Extension Kit | SMZ4000UC Flexible Silverware Basket | SMZ5002UC Anti-Tarnish Silverware Cassette | SMZEPCC1UC Edge Protector + Power Cord Clip Install Kit | SMZ1007UC Stainless Steel Bosch Dishwasher Bar Handle |
| SMZPCJB1UC Junction Box | SMZ5000 Accessory Kit: Extra Tall Item Sprinkler, Vase and Bottle Holder, 3 Plastic Item Clips and Small Item Basket | | | | | |

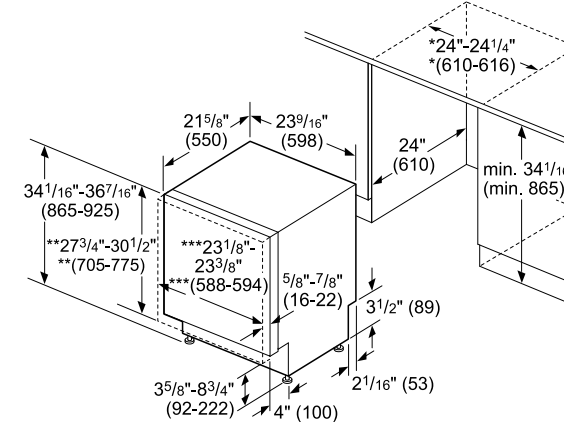
Benchmark™ Series Dishwashers

Dimensions and Cutout



*23 5/8" (600) without decor strips

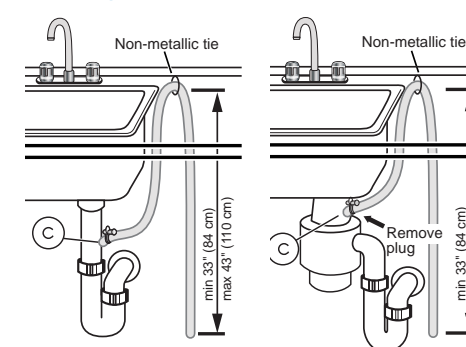
Custom Panel – Dimensions and Cutout



- * 23 5/8" (600 mm) without decor strips
- ** measured from the bottom edge of the countertop panel thickness recommended 3/4" (20 mm), panel weight 7–22 lbs (3–10 kg)
- *** 24" (610 mm) wide panel may be used depending on cabinet design

Note: Refer to installation template for mounting hardware locations measurements in inches (mm)

Plumbing

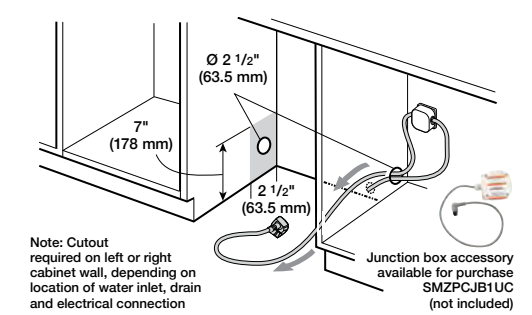


Note: Plumbing installations will vary - refer to local codes. Drain hose included is 75" (190 cm) and can be extended to a maximum of 151" (383 cm).

Always use the approved drain hose extension kit (SGZ1010UC).

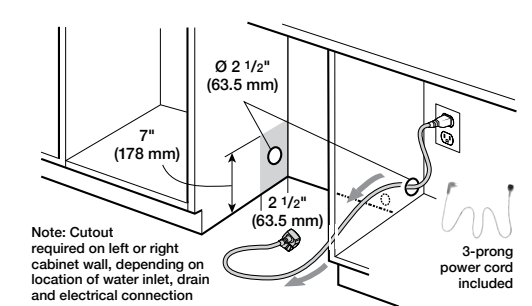
Ensure a portion of the drain hose is raised between min. 33" (84 cm) and max. 43" (110 cm) above the cabinet floor.

Example of Hardwire Installation



Note: Cutout required on left or right cabinet wall, depending on location of water inlet, drain and electrical connection. Junction box accessory available for purchase SMZPCJB1UC (not included)

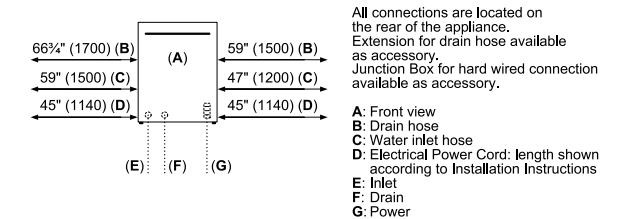
Example of Electrical Receptacle Installation



Note: Cutout required on left or right cabinet wall, depending on location of water inlet, drain and electrical connection. 3-prong power cord included

Water and Electrical Locations

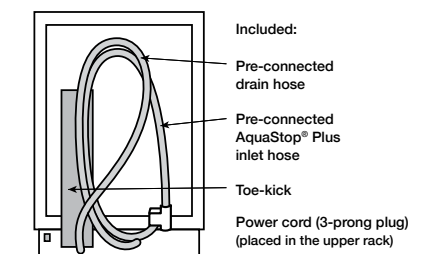
Measurements in inches (mm)



All connections are located on the rear of the appliance. Extension for drain hose available as accessory. Junction Box for hard wired connection available as accessory.

- A: Front view
- B: Drain hose
- C: Water inlet hose
- D: Electrical Power Cord: length shown according to Installation Instructions
- E: Inlet
- F: Drain
- G: Power

Included Parts & Accessories



800 Series Dishwashers



- 800 Series**
- 42 dBA
 - CrystalDry™
 - LED Display Window
 - PrecisionWash®
 - Flexible 3rd rack



+ Indicates a step-up feature
 * Multiple colors available. See color chips to fill in missing digit.

| 800 Series | |
|---------------------------|--|
| Bar Handle – SHX78B75UC | |
| Custom Panel – SHV78B73UC | |

| General Properties | |
|---------------------------------|-----------------------------|
| Number of wash cycles / options | 7 / 7 (Custom panel: 6 / 6) |
| dBA | 42 |
| Wash system | PrecisionWash® |
| Drying system | CrystalDry™ |
| Third rack | Flexible 3rd Rack |
| Rack adjustability | RackMatic® |
| Tub material | Stainless steel |
| Control type | Touch controls |
| Concealed water heating element | Yes |
| Leak protection system | 24/7 AquaStop® |
| Home Connect® (WiFi enabled) | Yes |
| NSF®-certified* sanitize option | Yes |
| Water softener | Yes |
| Five-level wash | Yes |
| Child Lock button suspension | No |
| Anti-Fingerprint Finish | Yes / N/A |
| Special features | InfoLight® |
| Toe kick | Stainless Steel |

| Efficiency and Capacity | |
|---------------------------------|---------|
| Water usage per cycle | 3.5 gal |
| ENERGY STAR® certified | No |
| Total annual energy consumption | 269 kWh |
| Number of place settings | 15 |

| Technical Data | |
|--|-----------------------------------|
| Watts | 1440 W |
| Current / Volts / Frequency | 12 A / 120 V / 60 Hz |
| Power cord full length | 67" |
| Power cord install length from edge of unit when facing the door | Left – 47 1/4" Right – 47 1/4" |
| Minimum water pressure | 14 lb/sin |
| Length outlet hose | 74 3/4" |

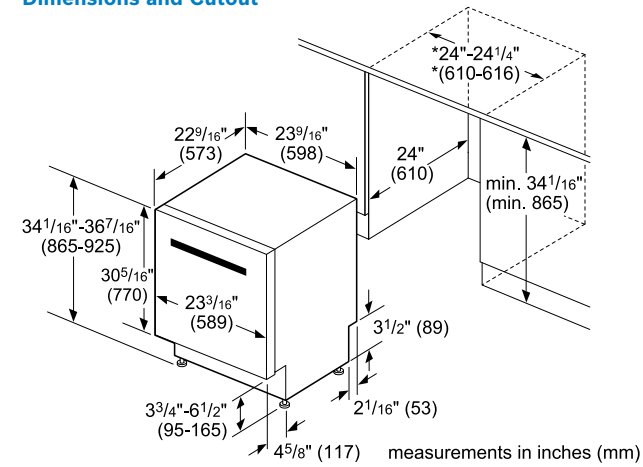
| Dimensions & Weight | |
|--|---|
| Overall appliance dimensions (HxWxD) (adjustable feet) | 34 1/16" x 23 9/16" x 22 9/16" (Custom panel D: 21 5/8") |
| Required cutout size (HxWxD) | 34 1/16" x 24" x 24" |
| Adjustable feet | Yes |
| Net weight | 106 / 105 lbs |

* Certification to NSF/ANSI Standard 184 for residential dishwashers.

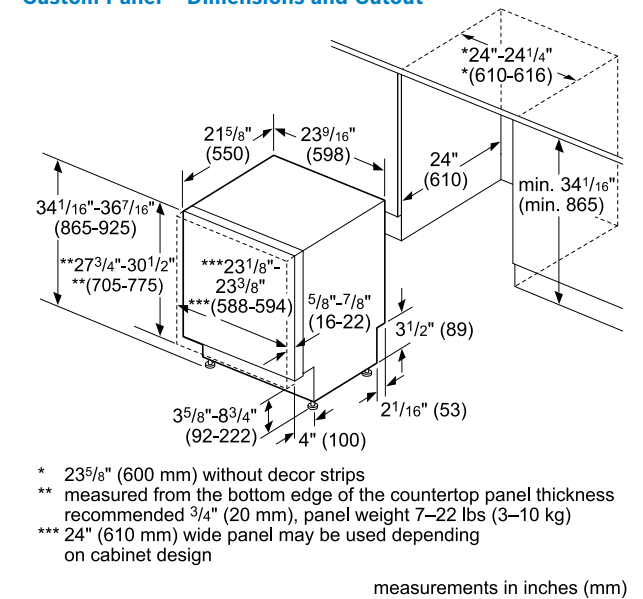
| Optional Accessories | | | | | |
|--|--|--|--|---|---|
| SMZPCJB1UC Junction Box | SGZ1010UC Drain Hose Extension Kit | SMZ4000UC Flexible Silverware Basket | SMZ5002UC Anti-Tarnish Silverware Cassette | SMZEPCC1UC Edge Protector + Power Cord Clip Install Kit | SMZ1007UC Stainless Steel Bosch Dishwasher Bar Handle |
| SMZCD200UC Flexible 3rd Rack | SMZ5000 Accessory Kit: Extra Tall Item Sprinkler, Vase and Bottle Holder, 3 Plastic Item Clips and Small Item Basket | | | | |

800 Series Dishwashers

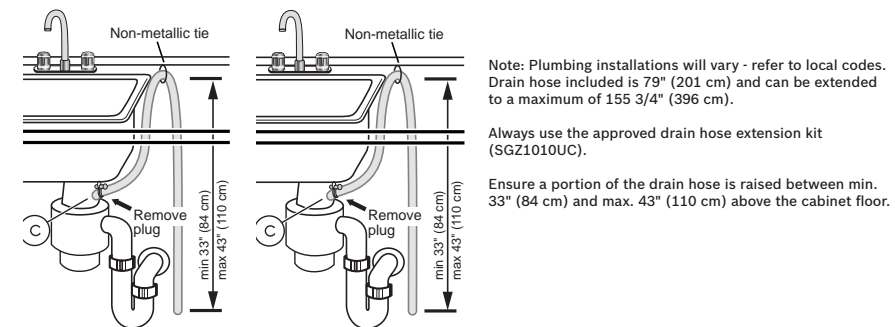
Dimensions and Cutout



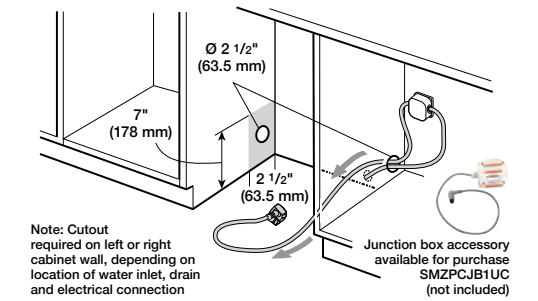
Custom Panel – Dimensions and Cutout



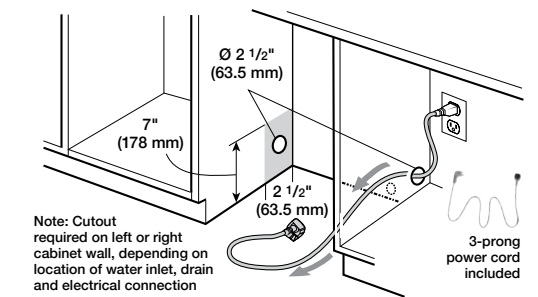
Plumbing



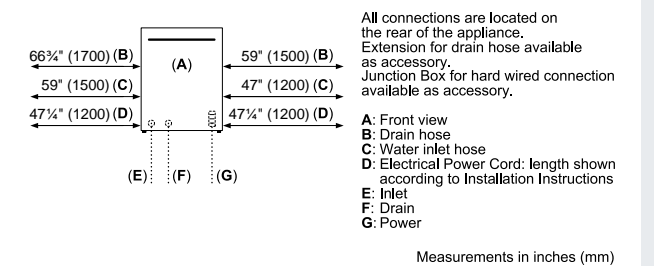
Example of Hardwire Installation



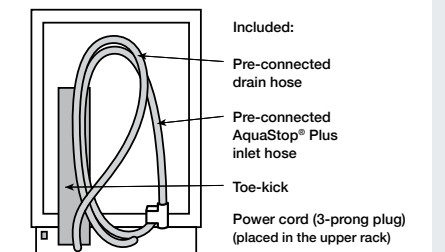
Example of Electrical Receptacle Installation



Water and Electrical Locations



Included Parts & Accessories



800 Series Dishwashers



800 Series
 *SHP78CM_N
 *SHX78CM_N
 SHV78CM3N

- +42 dBA
- +PrecisionWash® with PowerControl™
- CrystalDry™
- LED Display Window
- Flexible 3rd Rack



- 5 Stainless Steel
- 2 White
- 4 Black Stainless Steel
- 6 Black

+ Indicates a step-up feature

* Multiple colors available. See color chips to fill in missing digit.

800 Series

- *Pocket Handle – SHP78CM_N
- *Bar Handle – SHX78CM_N
- Custom Panel – SHV78CM3N

General Properties

| | |
|---------------------------------|---|
| Number of wash cycles / options | 5 + 3 additional in Home Connect® / 4 + 2 additional in Home Connect® |
| dBA | 42 |
| Wash system | PrecisionWash® with PowerControl™ |
| Drying system | CrystalDry™ |
| Third rack | Flexible 3rd Rack |
| Rack adjustability | RackMatic® |
| Tub material | Stainless steel |
| Control type | Touch controls |
| Concealed water heating element | Yes |
| Leak protection system | 24/7 AquaStop® |
| Home Connect® (WiFi enabled) | Yes |
| NSF®-certified* sanitize option | Yes |
| Water softener | No |
| Five-level wash | Yes |
| Child Lock button suspension | No |
| Anti-Fingerprint Finish | Yes (Stainless steel and Black stainless steel models only) |
| Special features | CrystalDry™ Option, InfoLight® |
| Toe kick | Black (White models have white toe kick) |

Efficiency and Capacity

| | |
|---------------------------------|---------|
| Water usage per cycle | 3.2 gal |
| ENERGY STAR® certified | Yes |
| Total annual energy consumption | 240 kWh |
| Number of place settings | 16 |

Technical Data

| | |
|--|---------------------------|
| Watts | 1440 W |
| Current / Volts / Frequency | 12 Amps / 120 V / 60 Hz |
| Power cord full length | 67" |
| Power cord install length from edge of unit when facing the door | Left – 45" Right – 56" |
| Minimum water pressure | 14 lb/sin |
| Length outlet hose | 78 3/4" |

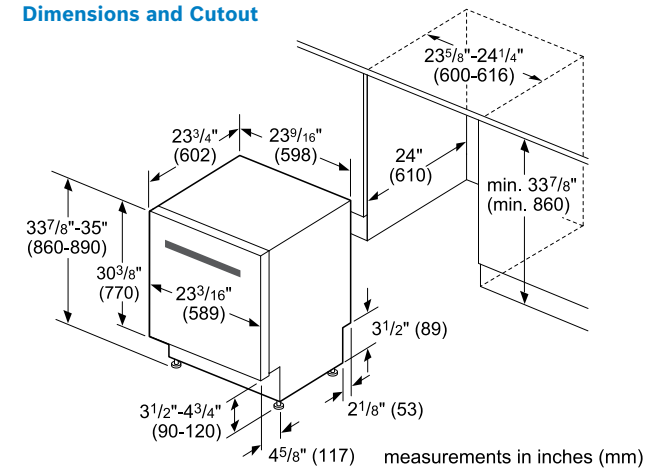
Dimensions & Weight

| | |
|--|---|
| Overall appliance dimensions (HxWxD) (adjustable feet) | 33 7/8" x 23 9/16" x 23 3/4" (Custom panel D: 23 1/16") |
| Required cutout size (HxWxD) | 33 7/8" x 24" x 24" |
| Adjustable feet | Yes |
| Net weight | 96 / 96 / 93 lbs |

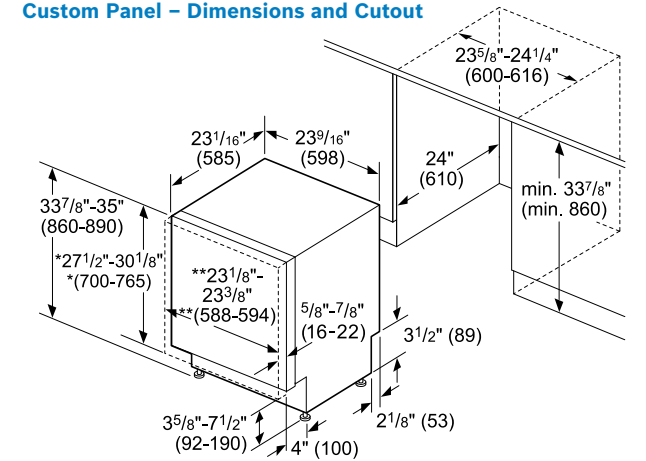
*Certification to NSF/ANSI Standard 184 for residential dishwashers.

800 Series Dishwashers

Dimensions and Cutout

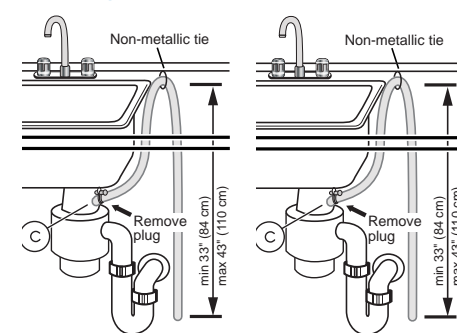


Custom Panel – Dimensions and Cutout



* measured from the bottom edge of the countertop panel thickness recommended 3/4" (20 mm).
 This dishwasher can accept custom door panel weights ranging from 7 to 24 lbs; however, the dishwasher comes from the factory ready for custom panel door weights from 11 to 18 lbs. If you plan on using a door panel that is not 11 to 18 lbs, please contact customer service at (800) 944-2904.
 ** 24" (610 mm) wide panel may be used depending on cabinet design
 Note: Refer to installation template for mounting hardware locations measurements in inches (mm)

Plumbing

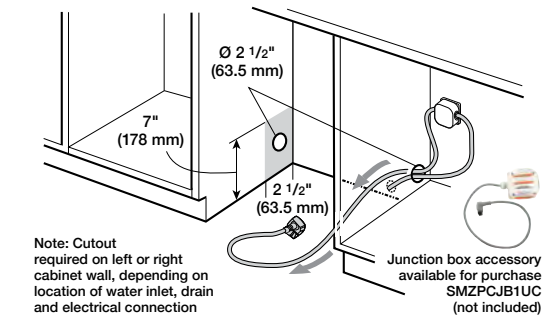


Note: Plumbing installations will vary - refer to local codes. Drain hose included is 79" (201 cm) and can be extended to a maximum of 155 3/4" (396 cm).
 Always use the approved drain hose extension kit (SGZ1010UC).
 Ensure a portion of the drain hose is raised between min. 33" (84 cm) and max. 43" (110 cm) above the cabinet floor.

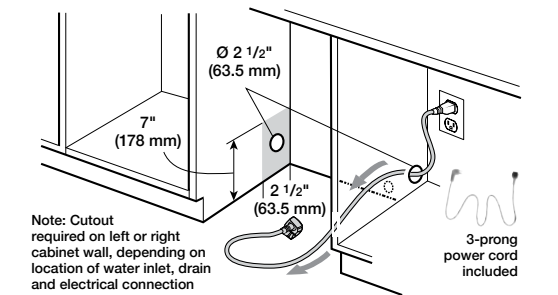
Optional Accessories

- SMZ3IN1UC** Junction box & Water Supply Hose Kit
- SMZSH1ABUC** Supply Hose Kit with Elbow
- SGZ1010UC** Drain Hose Extension Kit
- SMZ4000UC** Flexible Silverware Basket
- SMZ5002UC** Anti-Tarnish Silverware Cassette
- SMZEPCC1UC** Edge Protector + Power Cord Clip Install Kit
- SMZ1007UC** Stainless Steel Bosch Dishwasher Bar Handle
- SMZPCJB1UC** Junction Box
- SMZCD200UC** Flexible 3rd Rack
- SMZ5000** Accessory Kit: Extra Tall Item Sprinkler, Vase and Bottle Holder, 3 Plastic Item Clips and Small Item Basket

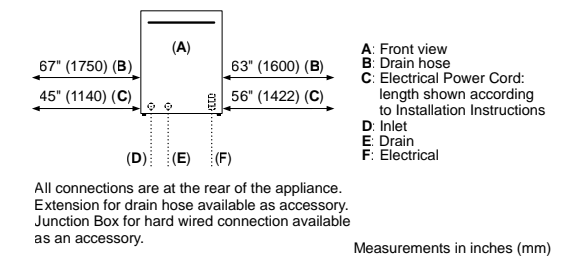
Example of Hardwire Installation



Example of Electrical Receptacle Installation

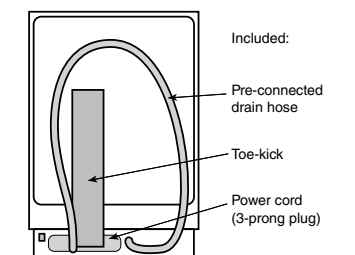


Water and Electrical Locations



All connections are at the rear of the appliance. Extension for drain hose available as accessory. Junction Box for hard wired connection available as an accessory. Measurements in inches (mm)

Included Parts & Accessories



500 Series Dishwashers



500 Series
SHP95CM5N
+38 dBA
+ Pocket Handle Design
• PrecisionWash®
• Standard 3rd rack
• 24/7 AquaStop



500 Series
***SHP65CM_N**
SHX65CM5N
+44 dBA
+ AutoAir
+ Pocket Handle Design
+ Flexible 3rd Rack
• 24/7 AquaStop



5 Stainless Steel 2 White
6 Black

+ Indicates a step-up feature

* Multiple colors available. See color chips to fill in missing digit.

| | 500 Series | 500 Series |
|---------------------------------|--|--|
| | Pocket Handle – SHP95CM5N | Pocket Handle – *SHP65CM_N Bar Handle – SHX65CM5N |
| General Properties | | |
| Number of wash cycles / options | 5 + 3 additional in Home Connect® / 3 + 2 additional in Home Connect® | 5 + 3 additional in Home Connect® / 3 + 2 additional in Home Connect® |
| dBA | 38 | 44 |
| Wash system | PrecisionWash® | PrecisionWash® |
| Drying system | PureDry® | AutoAir® option |
| Third rack | Standard 3rd rack | Flexible 3rd rack |
| Rack adjustability | RackMatic® | RackMatic® |
| Tub material | Stainless steel | Stainless steel |
| Control type | Touch Controls | Touch Controls |
| Concealed water heating element | Yes | Yes |
| Leak protection system | 24/7 AquaStop® | 24/7 AquaStop® |
| Home Connect® (WiFi enabled) | Yes | Yes |
| NSF®-certified* sanitize option | Yes | Yes |
| Water softener | No | No |
| Five-level wash | Yes | Yes |
| Child Lock button suspension | No | No |
| Anti-Fingerprint Finish | Yes | Yes (Stainless steel models only) |
| Special features | InfoLight® | InfoLight®, AutoAir® Option |
| Toe kick | Black | Black (White model has white toe kick) |

| Efficiency and Capacity | | |
|---------------------------------|---------|---------|
| Water usage per cycle | 3.5 gal | 3.2 gal |
| ENERGY STAR® certified | No | Yes |
| Total annual energy consumption | 269 kWh | 240 kWh |
| Number of place settings | 16 | 16 |

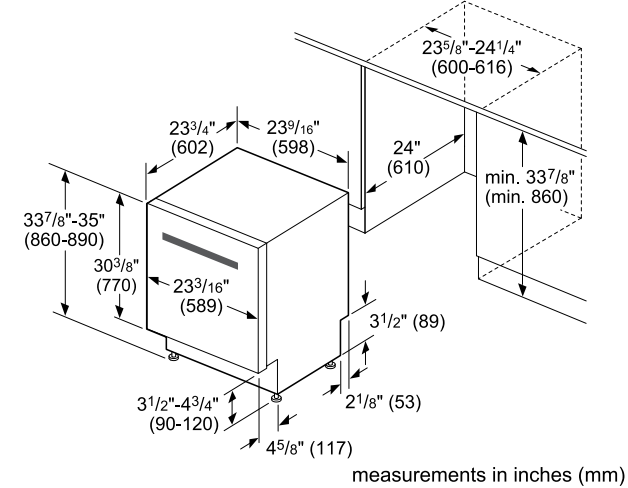
| Technical Data | | |
|--|---------------------------|---------------------------|
| Watts | 1440 W | 1440 W |
| Current / Volts / Frequency | 12 Amps / 120 V / 60 Hz | 12 Amps / 120 V / 60 Hz |
| Power cord full length | 67" | 67" |
| Power cord install length from edge of unit when facing the door | Left – 45" Right – 56" | Left – 45" Right – 56" |
| Minimum water pressure | 14 lb/sin | 14 lb/sin |
| Length outlet hose | 78 3/4" | 78 3/4" |

| Dimensions & Weight | | |
|--------------------------------------|------------------------------|------------------------------|
| Overall appliance dimensions (HxWxD) | 33 7/8" x 23 9/16" x 23 3/4" | 33 7/8" x 23 9/16" x 23 3/4" |
| Required cutout size (HxWxD) | 33 7/8" x 24" x 24" | 33 7/8" x 24" x 24" |
| Adjustable feet | Yes | Yes |
| Net weight | 92 lbs | 85 lbs |

*Certification to NSF/ANSI Standard 184 for residential dishwashers.

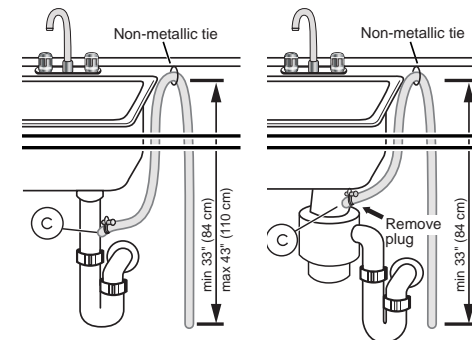
500 Series Dishwashers

Dimensions and Cutout



measurements in inches (mm)

Plumbing

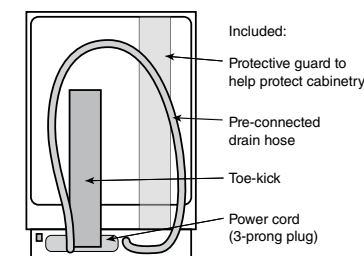


Note: Plumbing installations will vary - refer to local codes. Drain hose included is 79" (201 cm) and can be extended to a maximum of 155 3/4" (396 cm).

Always use the approved drain hose extension kit (SGZ1010UC).

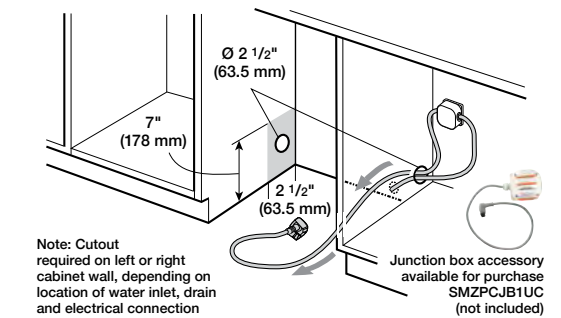
Ensure a portion of the drain hose is raised between min. 33" (84 cm) and max. 43" (110 cm) above the cabinet floor.

Included Parts & Accessories

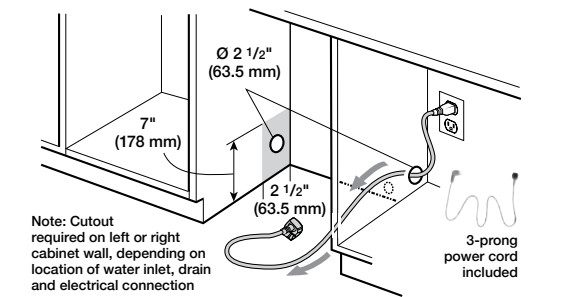


| Optional Accessories | | | | | | | |
|-----------------------------------|--|---|--|--|--|--|---|
| SMZPCJB1UC Junction Box | SMZ3IN1UC Junction Box & Water Supply Hose Kit | SMZSH1ABUC Supply Hose Kit with Elbow | SGZ1010UC Drain Hose Extension Kit | SMZ4000UC Flexible Silverware Basket | SMZ5000 Accessory Kit: Extra Tall Item Sprinkler, Vase and Bottle Holder, 3 Plastic Item Clips and Small Item Basket | SMZ5002UC Anti-Tarnish Silverware Cassette | SMZEPCC1UC Edge Protector + Power Cord Clip Install Kit |

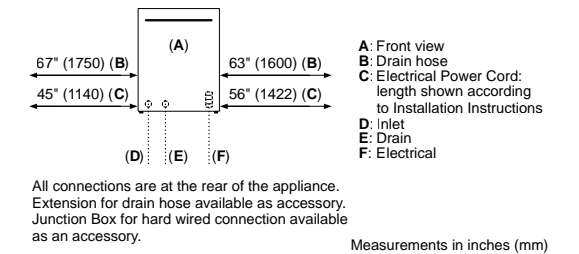
Example of Hardwire Installation



Example of Electrical Receptacle Installation



Water and Electrical Locations



All connections are at the rear of the appliance. Extension for drain hose available as accessory. Junction Box for hard wired connection available as an accessory.

Measurements in inches (mm)



300 Series Dishwashers



300 Series
SHE53B75UC

- 46 dBA
- PrecisionWash®
- Standard 3rd rack
- 24/7 AquaStop® Plus
- Water Softener



+ Indicates a step-up feature

* Multiple colors available. See color chips to fill in missing digit.

300 Series

Recessed Handle – SHE53B75UC

General Properties

| | |
|---------------------------------|----------------------------------|
| Number of wash cycles / options | 6 / 6 |
| dBA | 46 |
| Wash system | PrecisionWash® |
| Drying system | PureDry® |
| Third rack | Standard 3rd rack |
| Rack adjustability | RackMatic® |
| Tub material | Stainless steel |
| Control type | LED Backlit Buttons |
| Concealed water heating element | Yes |
| Leak protection system | 24/7 AquaStop® Plus |
| Home Connect® (WiFi enabled) | Yes |
| NSF®-certified* sanitize option | Yes |
| Water softener | Yes |
| Five-level wash | Yes |
| Child Lock button suspension | Yes |
| Anti-Fingerprint finish | No |
| Special features | Extra Dry option, Speed 60 cycle |
| Toe kick | Stainless Steel |

Efficiency and Capacity

| | |
|---------------------------------|---------|
| Water usage per cycle | 3.5 gal |
| ENERGY STAR® certified | No |
| Total annual energy consumption | 269 kWh |
| Number of place settings | 15 |

Technical Data

| | |
|--|-----------------------------------|
| Watts | 1440 W |
| Current / Volts / Frequency | 12 Amps / 120 V / 60 Hz |
| Power cord full length | 67" |
| Power cord install length from edge of unit when facing the door | Left – 47 1/4" Right – 47 1/4" |
| Minimum water pressure | 14 lb/sin |
| Length outlet hose | 74 3/4" |

Dimensions & Weight

| | |
|--------------------------------------|--------------------------------|
| Overall appliance dimensions (HxWxD) | 34 1/16" x 23 9/16" x 22 9/16" |
| Required cutout size (HxWxD) | 34 1/16" x 24" x 24" |
| Adjustable feet | Yes |
| Net weight | 90 lbs |

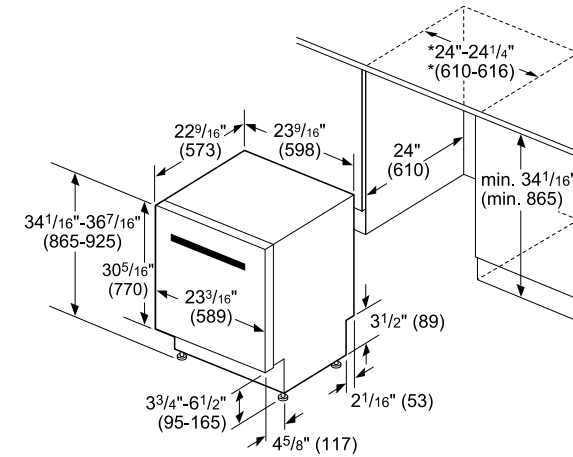
*Certification to NSF/ANSI Standard 184 for residential dishwashers.

Optional Accessories

| | | | | |
|-----------------------------------|--|--|--|---|
| SMZPCJB1UC Junction Box | SGZ1010UC Drain Hose Extension Kit | SMZ4000UC Flexible Silverware Basket | SMZ5000 Accessory Kit: Extra Tall Item Sprinkler, Vase and Bottle Holder, 3 Plastic Item Clips and Small Item Basket | SMZEPCC1UC Edge Protector + Power Cord Clip Install Kit |
|-----------------------------------|--|--|--|---|

300 Series Dishwashers

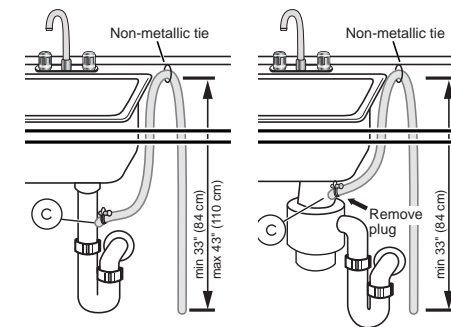
Dimensions and Cutout



*23 5/8" (600) without decor strips

measurements in inches (mm)

Plumbing

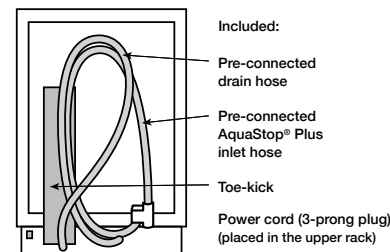


Note: Plumbing installations will vary - refer to local codes. Drain hose included is 79" (201 cm) and can be extended to a maximum of 155 3/4" (396 cm).

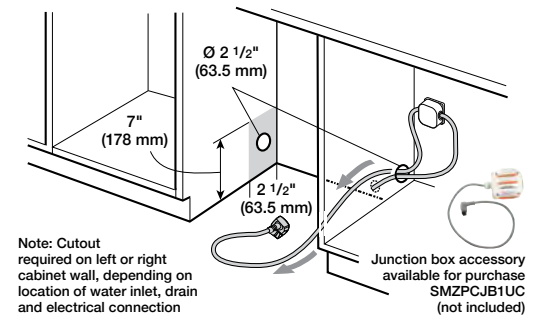
Always use the approved drain hose extension kit (SGZ1010UC).

Ensure a portion of the drain hose is raised between min. 33" (84 cm) and max. 43" (110 cm) above the cabinet floor.

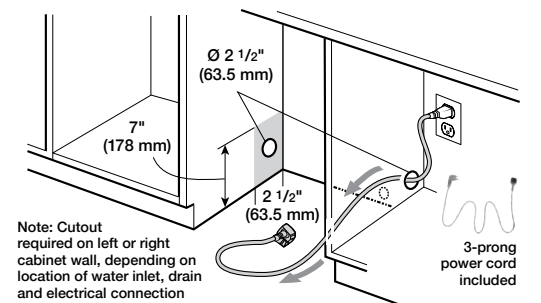
Included Parts & Accessories



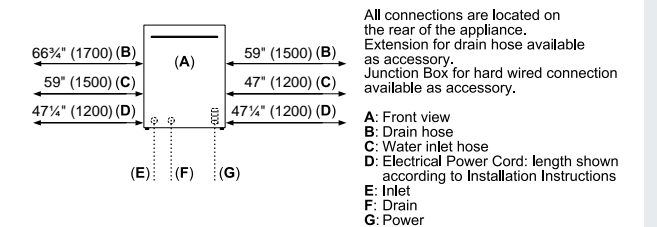
Example of Hardwire Installation



Example of Electrical Receptacle Installation



Water and Electrical Locations



Measurements in inches (mm)



300 Series Dishwashers



- 300 Series**
- 46 dBA
 - +24/7 AquaStop®
 - +Full Stainless Steel Tub
 - +EasyGlide® Racks on all 3 levels
 - PrecisionWash®
 - Standard 3rd Rack



- 5 Stainless Steel 2 White 6 Black

+ Indicates a step-up feature

* Multiple colors available. See color chips to fill in missing digit.

300 Series

- Recessed Handle – *SHE53C8_N
- Recessed Handle (ENERGY STAR®) – SHE53CE5N
- Bar Handle – SHX53CM5N
- Custom Panel – SHV53CM3N
- Scoop Handle – *SHS53CD_N

General Properties

| | |
|---------------------------------|---|
| Number of wash cycles / options | 5 + 3 additional in Home Connect® / 3 + 4 additional in Home Connect® |
| dBA | 46 |
| Wash system | PrecisionWash® |
| Drying system | PureDry® |
| Third rack | Standard 3rd rack |
| Rack adjustability | RackMatic® |
| Tub material | Stainless steel |
| Control type | Touch Controls |
| Concealed water heating element | Yes |
| Leak protection system | 24/7 AquaStop® Plus |
| Home Connect® (WiFi enabled) | Yes |
| NSF®-certified* sanitize option | Yes |
| Water softener | No |
| Five-level wash | Yes |
| Child Lock button suspension | Yes (Recessed handle models only) |
| Anti-Fingerprint finish | Yes (Stainless steel models only) |
| Special features | InfoLight®, Extra Dry Option |
| Toe kick | Black (White models have white toe kick) |

Efficiency and Capacity

| | |
|---------------------------------|-----------------------------|
| Water usage per cycle | 3.5 gal (SHE53CE5N 3.2 gal) |
| ENERGY STAR® certified | SHE53CE5N Only |
| Total annual energy consumption | 269 kWh (SHE53CE5N 240 kWh) |
| Number of place settings | 16 |

Technical Data

| | |
|--|---------------------------|
| Watts | 1440 W |
| Current / Volts / Frequency | 12 Amps / 120 V / 60 Hz |
| Power cord full length | 67" |
| Power cord install length from edge of unit when facing the door | Left – 45" Right – 56" |
| Minimum water pressure | 14 lb/sin |
| Length outlet hose | 78 3/4" |

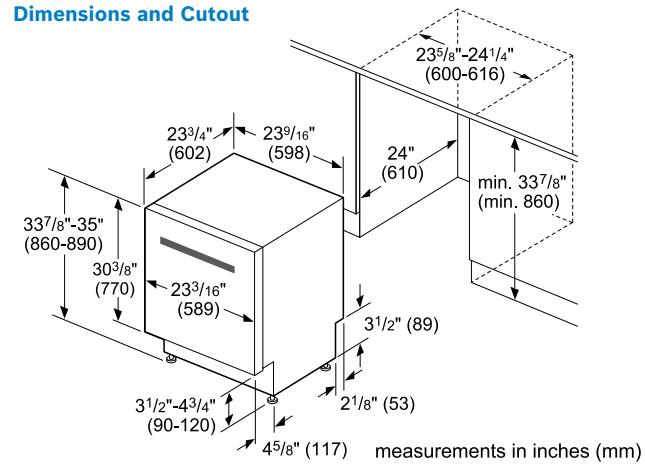
Dimensions & Weight

| | |
|--------------------------------------|--|
| Overall appliance dimensions (HxWxD) | 33 7/8" x 23 9/16" x 23 3/4" (Custom panel D: 23 1/16") |
| Required cutout size (HxWxD) | 33 7/8" x 24" x 24" |
| Adjustable feet | Yes |
| Net weight | 81 lbs (Custom panel: 78 lbs) |

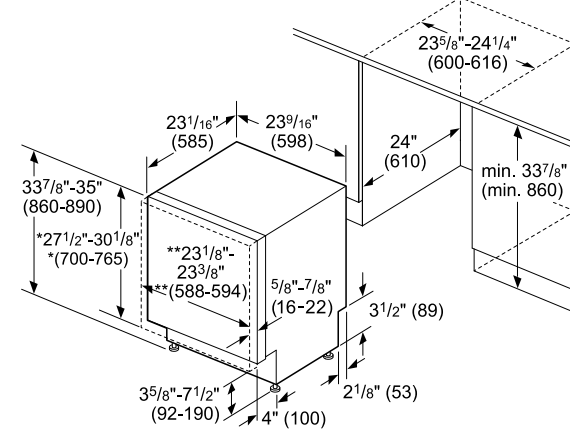
*Certification to NSF/ANSI Standard 184 for residential dishwashers.

300 Series Dishwashers

Dimensions and Cutout

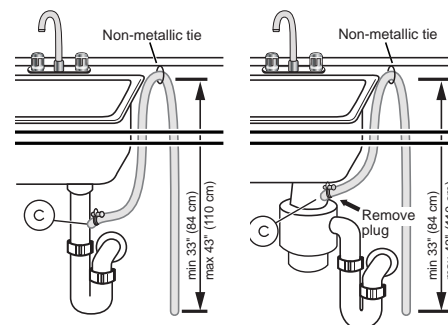


Custom Panel – Dimensions and Cutout



* measured from the bottom edge of the countertop panel thickness recommended 3/4" (20 mm).
This dishwasher can accept custom door panel weights ranging from 7 to 24 lbs; however, the dishwasher comes from the factory ready for custom panel door weights from 7 to 18 lbs.
If you plan on using a door panel that is not 7 to 18 lbs. please contact customer service at (800) 944-2904.
** 24" (610 mm) wide panel may be used depending on cabinet design
Note: Refer to installation template for mounting hardware measurements in inches (mm)

Plumbing



Note: Plumbing installations will vary - refer to local codes. Drain hose included is 79" (201 cm) and can be extended to a maximum of 155 3/4" (396 cm).

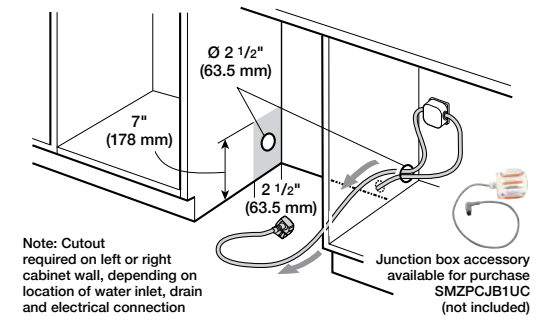
Always use the approved drain hose extension kit (SGZ1010UC).

Ensure a portion of the drain hose is raised between min. 33" (84 cm) and max. 43" (110 cm) above the cabinet floor.

Optional Accessories

- SMZPCJB1UC** Junction Box
- SMZ3IN1UC** Junction box & Water Supply Hose Kit
- SMZSH1ABUC** Supply Hose Kit with Elbow
- SGZ1010UC** Drain Hose Extension Kit
- SMZ4000UC** Flexible Silverware Basket
- SMZ5000** Accessory Kit: Extra Tall Item Sprinkler, Vase and Bottle Holder, 3 Plastic Item Clips and Small Item Basket
- SMZ5002UC** Anti-Tarnish Silverware Cassette
- SMZEPCC1UC** Edge Protector + Power Cord Clip Install Kit

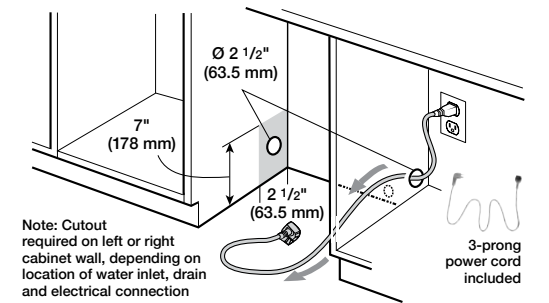
Example of Hardwire Installation



Note: Cutout required on left or right cabinet wall, depending on location of water inlet, drain and electrical connection

Junction box accessory available for purchase SMZPCJB1UC (not included)

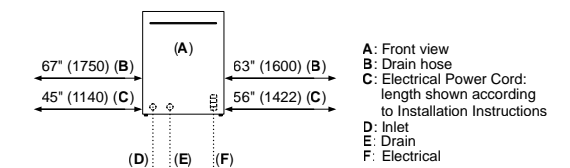
Example of Electrical Receptacle Installation



Note: Cutout required on left or right cabinet wall, depending on location of water inlet, drain and electrical connection

3-prong power cord included

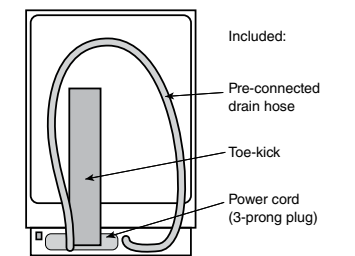
Water and Electrical Locations



All connections are at the rear of the appliance. Extension for drain hose available as accessory. Junction Box for hard wired connection available as an accessory.

Measurements in inches (mm)

Included Parts & Accessories

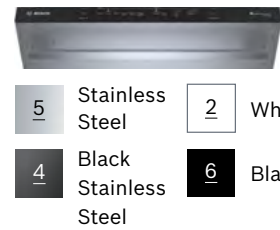


Included:

- Pre-connected drain hose
- Toe-kick
- Power cord (3-prong plug)



100 Series Dishwashers



100 Series Premium
*SHX5AEM_N
+46 dBA
+Standard 3rd Rack
+InfoLight®
+Bar Handle
•3-Level Rackmatic®
Home Connect



100 Series Plus
*SHE4AEM_N
+48 dBA
+3-Level RackMatic®
•PrecisionWash®
•24/7 Overflow Protection
•Anti-fingerprint Stainless Steel
Home Connect

+ Indicates a step-up feature

| | 100 Series Premium | 100 Series Plus |
|--|-------------------------|------------------------------|
| | Bar Handle – *SHX5AEM_N | Recessed Handle – *SHE4AEM_N |

| General Properties | 100 Series Premium | 100 Series Plus |
|---------------------------------|---|---|
| Number of wash cycles / options | 5 + 3 additional in Home Connect® / 3 + 4 additional in Home Connect® | 5 + 3 additional in Home Connect® / 3 + 4 additional in Home Connect® |
| dBA | 46 | 48 |
| Wash system | PrecisionWash® | PrecisionWash® |
| Drying system | PureDry® | PureDry® |
| Third rack | Standard 3rd rack | No |
| Rack adjustability | RackMatic® | RackMatic® |
| Tub material | Stainless steel / polypropylene | Stainless steel / polypropylene |
| Control type | Touch controls | Touch controls |
| Concealed water heating element | Yes | Yes |
| Leak protection system | 24/7 Overflow Protection | 24/7 Overflow Protection |
| NSF®-certified* sanitize option | Yes | Yes |
| Water softener | No | No |
| Five-level wash | Yes | Yes |
| Child Lock button suspension | No | No |
| Home Connect® (Wi-Fi enabled) | Yes | Yes |
| Anti-Fingerprint Finish | Yes (Stainless steel and Black stainless steel only) | Yes (Stainless steel model only) |
| Special features | InfoLight® | – |
| Toe kick | Black (White model has white toe kick) | Black (White model has white toe kick) |

| Efficiency and Capacity | 100 Series Premium | 100 Series Plus |
|---------------------------------|--------------------|-----------------|
| Water usage per cycle | 3.5 gal | 3.5 gal |
| ENERGY STAR® certified | No | No |
| Total annual energy consumption | 269 kWh | 269 kWh |
| Number of place settings | 15 | 14 |

| Technical Data | 100 Series Premium | 100 Series Plus |
|--|---------------------------|---------------------------|
| Watts | 1440 W | 1440 W |
| Current / Volts / Frequency | 12 Amps / 120 V / 60 Hz | 12 Amps / 120 V / 60 Hz |
| Power cord full length | 67" | 67" |
| Power cord install length from edge of unit when facing the door | Left – 45" Right – 50" | Left – 45" Right – 50" |
| Minimum water pressure | 14 lb/sin | 14 lb/sin |
| Length outlet hose | 90 1/2" | 90 1/2" |

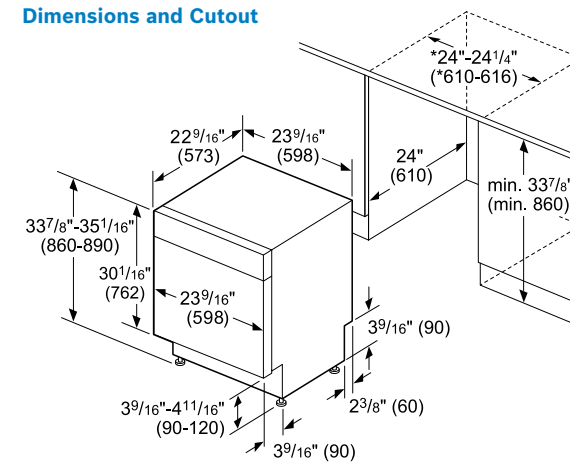
| Dimensions & Weight | 100 Series Premium | 100 Series Plus |
|--------------------------------------|-------------------------------|-------------------------------|
| Overall appliance dimensions (HxWxD) | 33 7/8" x 23 9/16" x 22 9/16" | 33 7/8" x 23 9/16" x 22 9/16" |
| Required cutout size (HxWxD) | 33 7/8" x 24" x 24" | 33 7/8" x 24" x 24" |
| Adjustable feet | Yes | Yes |
| Net weight | 67 lbs | 64 lbs |

*Certification to NSF/ANSI Standard 184 for residential dishwashers.

| Optional Accessories | SMZ3IN1UC | SMZSH1ABUC | SGZ1010UC | SMZ5000 | SMZ4000UC | SMZEPCC1UC |
|----------------------|--------------------------------------|----------------------------|--------------------------|--|----------------------------|--|
| Junction Box | Junction box & Water Supply Hose Kit | Supply Hose Kit with Elbow | Drain Hose Extension Kit | Accessory Kit: Extra Tall Item Sprinkler, Vase and Bottle Holder, 3 Plastic Item Clips and Small Item Basket | Flexible Silverware Basket | Edge Protector + Power Cord Clip Install Kit |

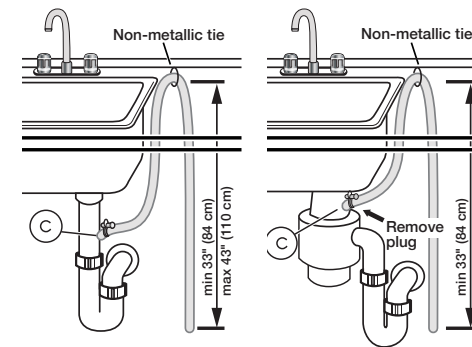
100 Series Dishwashers

Dimensions and Cutout



*23 5/8" (600) without decor strips measurements in inches (mm)

Plumbing

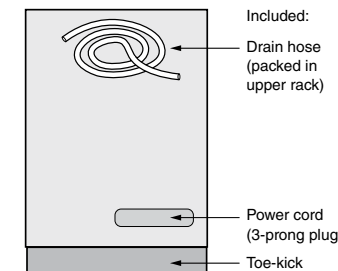


Note: Plumbing installations will vary - refer to local codes. Drain hose included is 90 1/2" (230 cm) and can be extended to a maximum of 168 1/2" (428 cm).

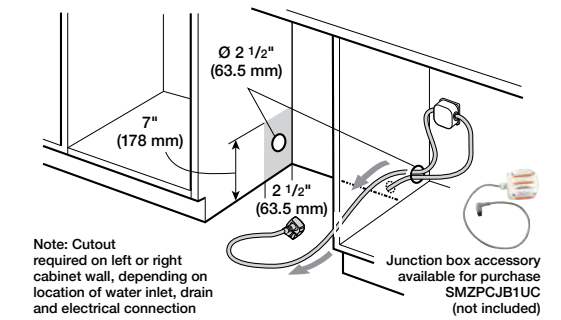
Always use the approved drain hose extension kit (SGZ1010UC).

Ensure a portion of the drain hose is raised between min. 33" (84 cm) and max. 43" (110 cm) above the cabinet floor.

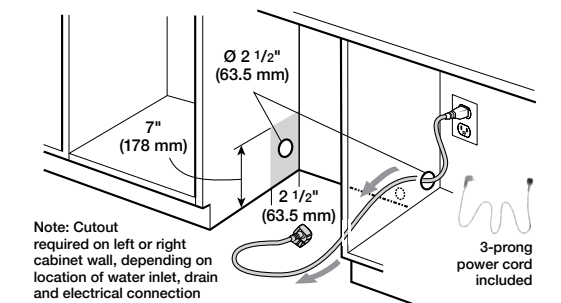
Included Parts & Accessories



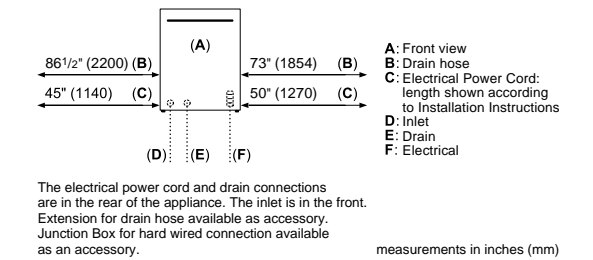
Example of Hardwire Installation



Example of Electrical Receptacle Installation



Water and Electrical Locations



100 Series Dishwashers



100 Series
*SHE3AEM_N
SHE3AEE5N

- + 50 dBA
- + PrecisionWash®
- + 24/7 Overflow Protection
- + Anti-Fingerprint Stainless Steel
- + Wi-Fi Enabled Home Connect®



- 5** Stainless Steel
- 2** White
- 6** Black

+ Indicates a step-up feature

* Multiple colors available. See color chips to fill in missing digit.

100 Series

Recessed Handle – *SHE3AEM_N
Recessed Handle – SHE3AEE5N

General Properties

| | |
|---------------------------------|---|
| Number of wash cycles / options | 5 + 3 additional in Home Connect® / 3 + 4 additional in Home Connect® |
| dBA | 50 |
| Wash system | PrecisionWash® |
| Drying system | PureDry® |
| Third rack | No |
| Rack adjustability | None |
| Tub material | Stainless steel / polypropylene |
| Control type | Touch controls |
| Concealed water heating element | Yes |
| Leak protection system | 24/7 Overflow Protection |
| NSF®-certified* sanitize option | Yes |
| Water softener | No |
| Five-level wash | Yes |
| Child Lock button suspension | Yes |
| Home Connect® (Wi-Fi enabled) | Yes |
| Anti-Fingerprint Finish | Yes (Stainless steel models only) |
| Special features | |
| Toe kick | Black (SHE3AEM2N has White) |

Efficiency and Capacity

| | |
|---------------------------------|---------------------------|
| Water usage per cycle | 3.5 gal / 3.2 gal |
| ENERGY STAR® certified | No / Yes (SHE3AEE5N Only) |
| Total annual energy consumption | 269 kWh / 240 kWh |
| Number of place settings | 14 |

Technical Data

| | |
|--|---------------------------|
| Watts | 1440 W |
| Current / Volts / Frequency | 12 Amps / 120 V / 60 Hz |
| Power cord full length | 67" |
| Power cord install length from edge of unit when facing the door | Left – 45" Right – 50" |
| Minimum water pressure | 14 lb/sin |
| Length outlet hose | 90 1/2" |

Dimensions & Weight

| | |
|--------------------------------------|-------------------------------|
| Overall appliance dimensions (HxWxD) | 33 7/8" x 23 9/16" x 22 9/16" |
| Required cutout size (HxWxD) | 33 7/8" x 24" x 24" |
| Adjustable feet | Yes |
| Net weight | 62 lbs / 64 lbs |

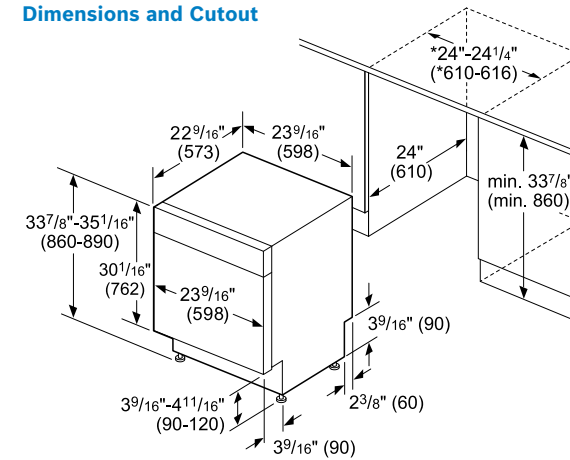
*Certification to NSF/ANSI Standard 184 for residential dishwashers.

Optional Accessories

| | | | | | | |
|-----------------------------------|--|---|--|--|--|---|
| SMZPCJB1UC Junction Box | SMZ3IN1UC Junction box & Water Supply Hose Kit | SMZSH1ABUC Supply Hose Kit with Elbow | SGZ1010UC Drain Hose Extension Kit | SMZ5000 Accessory Kit: Extra Tall Item Sprinkler, Vase and Bottle Holder, 3 Plastic Item Clips and Small Item Basket | SMZ4000UC Flexible Silverware Basket | SMZEPCC1UC Edge Protector + Power Cord Clip Install Kit |
|-----------------------------------|--|---|--|--|--|---|

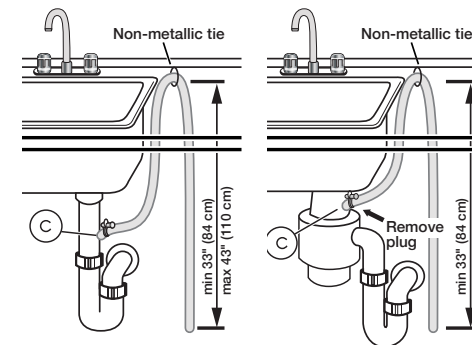
100 Series Dishwashers

Dimensions and Cutout



*23 5/8" (600) without decor strips measurements in inches (mm)

Plumbing

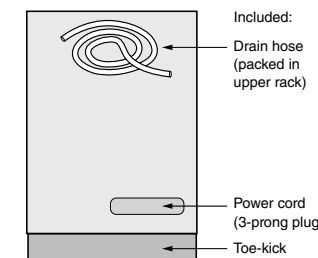


Note: Plumbing installations will vary - refer to local codes. Drain hose included is 90 1/2" (230 cm) and can be extended to a maximum of 168 1/2" (428 cm).

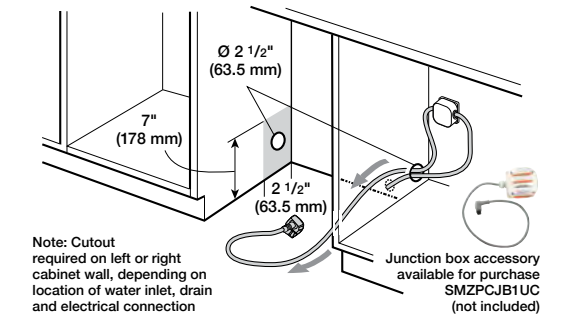
Always use the approved drain hose extension kit (SGZ1010UC).

Ensure a portion of the drain hose is raised between min. 33" (84 cm) and max. 43" (110 cm) above the cabinet floor.

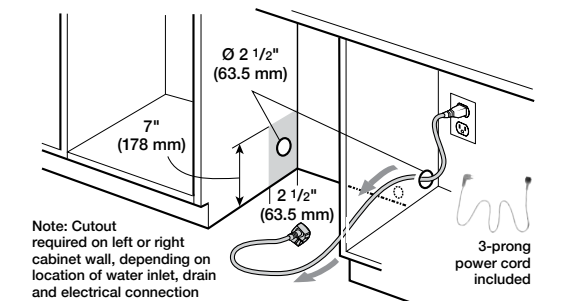
Included Parts & Accessories



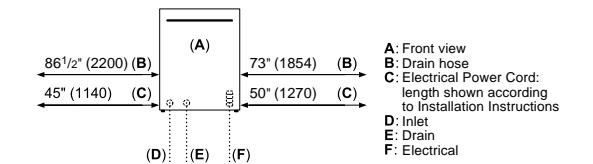
Example of Hardwire Installation



Example of Electrical Receptacle Installation



Water and Electrical Locations



The electrical power cord and drain connections are in the rear of the appliance. The inlet is in the front. Extension for drain hose available as accessory. Junction Box for hard wired connection available as an accessory. measurements in inches (mm)



18-Inch ADA-compliant Dishwashers



6 Black 2 White

Check inventory availability

18-Inch ADA 300 Series *SPE53C5_UC

- 46 dBA
- 5 Cycles / 5 Options
- Standard 3rd Rack
- 24/7 AquaStop® Plus
- Delay Start Timer



18-Inch ADA 800 Series SPE68C75UC SPX68C75UC SPV68C73UC

- +44 dBA
- +6 Cycles / 5 Options
- +Delicate Cycle
- +CrystalDry™



+ Indicates a step-up feature

* Multiple colors available. See color chips to fill in missing digit.

| 18-Inch ADA 300 Series | 18-Inch ADA 800 Series |
|-------------------------------|--|
| Recessed Handle – *SPE53C5_UC | Recessed Handle – SPE68C75UC Bar Handle – SPX68C75UC Custom Panel – SPV68C73UC |

General Properties

| | | |
|-------------------------------------|--|---|
| Number of wash cycles / options | 5 / 5 | 6 / 5 |
| Special program | Machine Care | Machine Care |
| dBA | 46 | 44 |
| Wash system | PrecisionWash® | PrecisionWash® |
| Drying system | PureDry® | CrystalDry™ |
| Third rack | Yes | Standard 3rd rack |
| Rack adjustability | RackMatic® | RackMatic® |
| Tub material | Stainless steel | Stainless steel |
| Control type | Buttons | Buttons |
| Concealed water heating element | Yes | Yes |
| Leak protection system | 24/7 AquaStop® Plus | 24/7 AquaStop® Plus |
| NSF®-certified¹ sanitization option | Yes | Yes |
| Water softener | No | No |
| Five-level wash | Yes | Yes |
| Child Lock button suspension | Yes | Yes (Recessed handle models only) |
| Home Connect® (Wi-Fi enabled) | Yes | Yes |
| Anti-Fingerprint Finish | No | No |
| Special features | 24h delay start timer, Favorite button | InfoLight® (Bar handle and custom panel models only), Favorite button |
| Toe kick | Black | Black |

Efficiency and Capacity

| | | |
|---------------------------------|---------|---------|
| Water usage per cycle | 3.2 gal | 2.7 gal |
| ENERGY STAR® certified | Yes | Yes |
| Total annual energy consumption | 240 kWh | 240 kWh |
| Number of place settings | 10 | 10 |

Technical Data

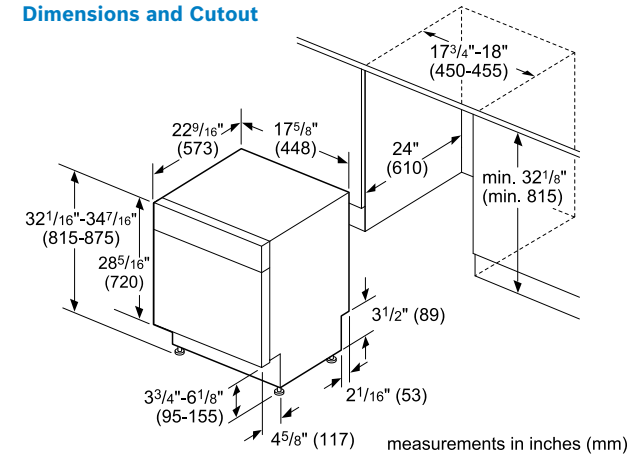
| | | |
|--|---------------------------|---------------------------|
| Watts | 1440 W | 1440 W |
| Current / Volts / Frequency | 12 Amps / 120 V / 60 Hz | 12 Amps / 120 V / 60 Hz |
| Power cord length | 67" | 67" |
| Power cord install length from edge of unit when facing the door | Left – 51" Right – 51" | Left – 51" Right – 51" |
| Minimum water pressure | 7 lb/sin | 7 lb/sin |
| Length inlet / outlet hose | 65" / 80 5/8" | 65" / 80 5/8" |

Dimensions & Weight

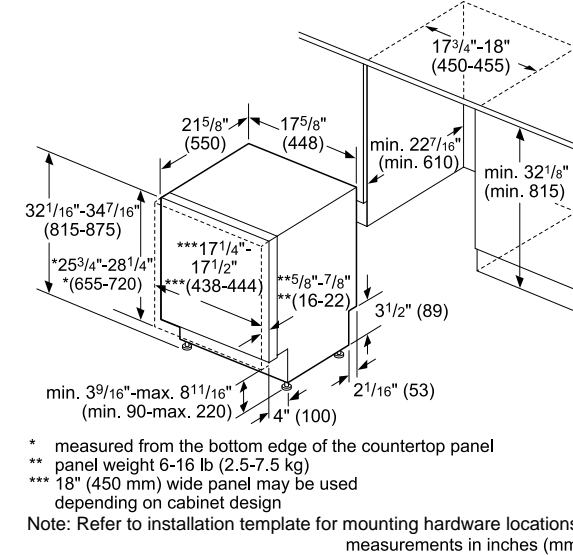
| | | |
|--------------------------------------|-------------------------------|---|
| ADA Compliant | Yes | Yes |
| Overall appliance dimensions (HxWxD) | 32 1/16" x 17 5/8" x 22 9/16" | 32 1/16" x 17 5/8" x 22 9/16" (Custom panel D: 21 5/8") |
| Required cutout size (HxWxD) | 32 1/8" x 17 3/4" x 24" | 32 1/8" x 17 3/4" x 24" (Custom panel D: min. 22 7/16") |
| Adjustable feet | Yes | Yes |
| Net weight | 72 lbs | 75 / 82 / 76 lbs |

18-Inch ADA-compliant Dishwashers

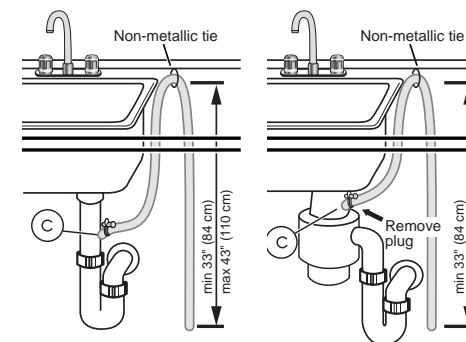
Dimensions and Cutout



Custom Panel – Dimensions and Cutout



Plumbing

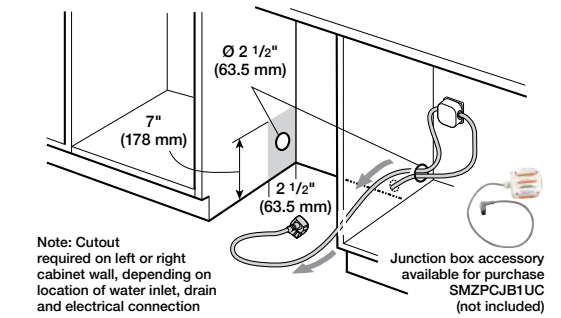


Note: Plumbing installations will vary - refer to local codes. Drain hose included is 79" (201 cm) and can be extended to a maximum of 155 3/4" (396 cm).

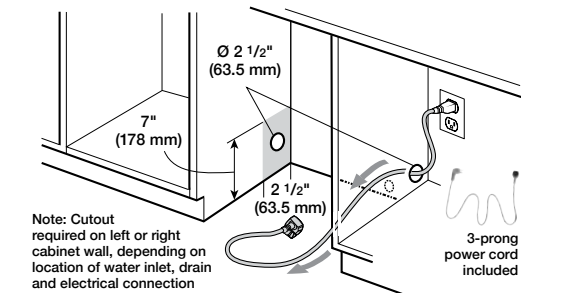
Always use the approved drain hose extension kit (SGZ1010UC).

Ensure a portion of the drain hose is raised between min. 33" (84 cm) and max. 43" (110 cm) above the cabinet floor.

Example of Hardwire Installation

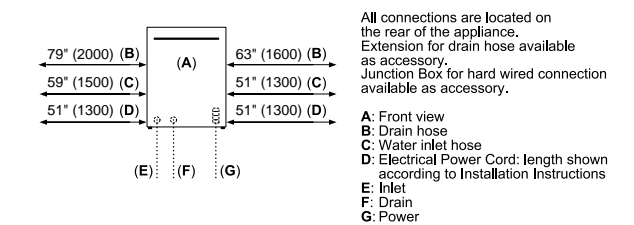


Example of Electrical Receptacle Installation

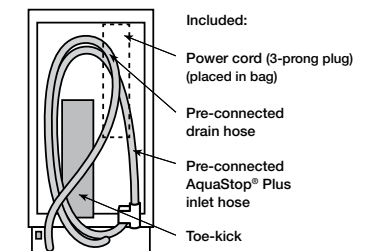


Water and Electrical Locations

Measurements in inches (mm)



Included Parts & Accessories



Optional Accessories

| | | | | | |
|--|-----------------------------------|--|---|---|--|
| SMZ3IN1UC Junction box & Water Supply Hose Kit | SMZPCJB1UC Junction box | SGZ1010UC Drain Hose Extension Kit | SMZ5003 Hinge for 4" Toe-kick Height Installation | SMZEPCC1UC Edge Protector + Power Cord Clip Install Kit | SMZ5000 Accessory Kit: Extra Tall Item Sprinkler, Vase and Bottle Holder, 3 Plastic Item Clips and Small Item Basket |
|--|-----------------------------------|--|---|---|--|



24-Inch ADA-compliant Dishwashers



24-Inch ADA 300 Series
*SGE53C5_UC

- 46 dBA
- 5 Cycles / 6 Options
- Water Softener
- 24/7 AquaStop® Plus
- Delay Start Timer



24-Inch ADA 800 Series
SGE78C55UC
SGX78C55UC
SGV78C53UC

- +42 dBA
- +6 Cycles / 5 Options
- +CrystalDry™
- +Standard 3rd Rack



6 Black 2 White

Check inventory availability

+ Indicates a step-up feature

| 24-Inch ADA 300 Series | 24-Inch ADA 800 Series |
|-------------------------------|--|
| Recessed Handle – *SGE53C5_UC | Recessed Handle – SGE78C55UC Bar Handle – SGX78C55UC Custom Panel – SGV78C53UC |

General Properties

| | 24-Inch ADA 300 Series | 24-Inch ADA 800 Series |
|---------------------------------|----------------------------------|---|
| Number of wash cycles / options | 5 / 6 | 6 / 5 |
| Special Program | Machine Care | Machine Care |
| dBA | 46 | 42 |
| Wash system | PrecisionWash® | PrecisionWash® |
| Drying system | PureDry® | CrystalDry™ option |
| Third rack | No | Standard 3rd rack |
| Rack adjustability | 3-step RackMatic® | 3-step RackMatic® |
| Tub material | Stainless steel | Stainless steel |
| Control type | Buttons | Buttons |
| Concealed water heating element | Yes | Yes |
| Leak protection system | 24/7 AquaStop® Plus | 24/7 AquaStop® Plus |
| NSF®-certified* sanitize option | Yes | Yes |
| Water softener | Yes | Yes |
| Five-level wash | Yes | Yes |
| Child Lock button suspension | Yes | Yes (Recessed handle models only) |
| Home Connect® (Wi-Fi enabled) | Yes | Yes |
| Anti-Fingerprint Finish | No | No |
| Special features | 24h delay start, Favorite button | InfoLight® (Bar handle and custom panel models only), Favorite button |
| Toe kick | Black | Black |

Efficiency and Capacity

| | 24-Inch ADA 300 Series | 24-Inch ADA 800 Series |
|---------------------------------|------------------------|------------------------|
| Water usage per cycle | 3.2 gal | 3.2 gal |
| ENERGY STAR® certified | Yes | Yes |
| Total annual energy consumption | 240 kWh | 240 kWh |
| Number of place settings | 13 | 15 |

Technical Data

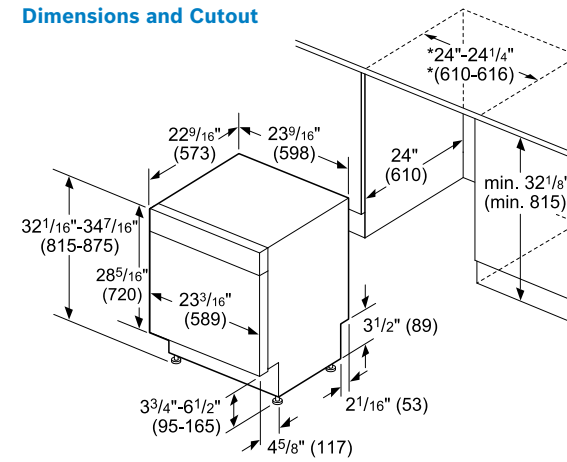
| | 24-Inch ADA 300 Series | 24-Inch ADA 800 Series |
|--|-----------------------------------|-----------------------------------|
| Watts | 1440 W | 1440 W |
| Current / Volts / Frequency | 12 Amps / 120 V / 60 Hz | 12 Amps / 120 V / 60 Hz |
| Power cord length | 67" | 67" |
| Power cord install length from edge of unit when facing the door | Left – 47 1/4" Right – 47 1/4" | Left – 47 1/4" Right – 47 1/4" |
| Minimum water pressure | 7 lb/sin | 7 lb/sin |
| Length inlet / outlet hose | 65" / 74 3/4" | 65" / 74 3/4" |

Dimensions & Weight

| | 24-Inch ADA 300 Series | 24-Inch ADA 800 Series |
|--------------------------------------|--------------------------------|--|
| ADA compliant | Yes | Yes |
| Overall appliance dimensions (HxWxD) | 32 1/16" x 23 9/16" x 22 9/16" | 32 1/16" x 23 9/16" x 22 9/16" (Custom panel D: 21 5/8") |
| Required cutout size (HxWxD) | 32 1/8" x 24" x 24" | 32 1/8" x 24" x 24" |
| Adjustable feet | Yes | Yes |
| Net weight | 83 lbs | 83 lbs |

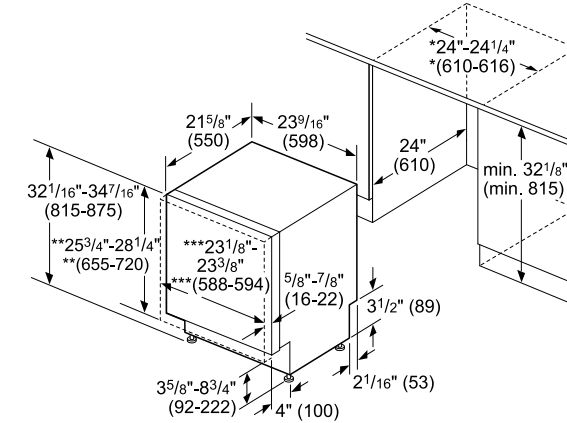
24-Inch ADA-compliant Dishwashers

Dimensions and Cutout



* 23 5/8" (600) without decor strips measurements in inches (mm)

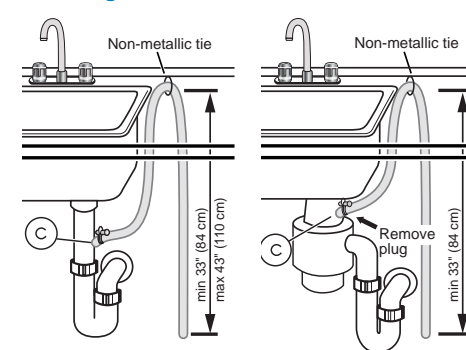
Custom Panel – Dimensions and Cutout



* 23 5/8" (600 mm) without decor strips
** measured from the bottom edge of the countertop panel thickness recommended 3/4" (20 mm), panel weight 6-18 lbs (2.5-8.5 kg)
*** 24" (610 mm) wide panel may be used depending on cabinet design

measurements in inches (mm)

Plumbing

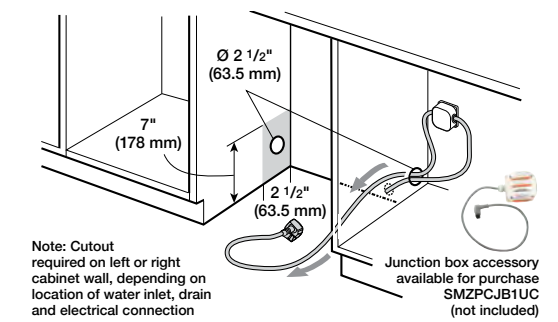


Note: Plumbing installations will vary - refer to local codes. Drain hose included is 79" (201 cm) and can be extended to a maximum of 155 3/4" (396 cm).

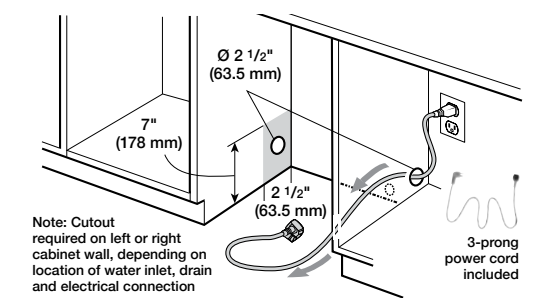
Always use the approved drain hose extension kit (SGZ1010UC).

Ensure a portion of the drain hose is raised between min. 33" (84 cm) and max. 43" (110 cm) above the cabinet floor.

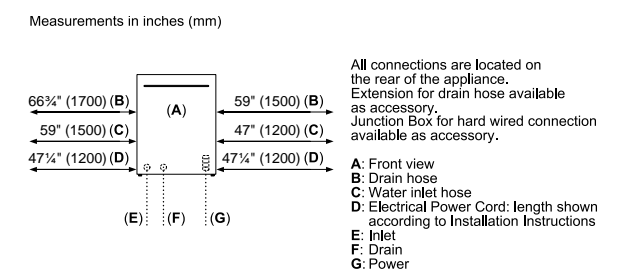
Example of Hardwire Installation



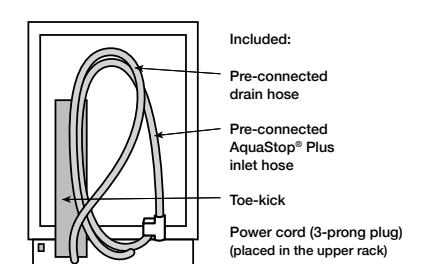
Example of Electrical Receptacle Installation



Water and Electrical Locations



Included Parts & Accessories



Optional Accessories

| | | | | | |
|--|-----------------------------------|--|--|--|---|
| SMZ3IN1UC Junction box & Water Supply Hose Kit | SMZPCJB1UC Junction Box | SGZ1010UC Drain Hose Extension Kit | SMZ5000 Accessory Kit: Extra Tall Item Sprinkler, Vase and Bottle Holder, 3 Plastic Item Clips and Small Item Basket | SMZ5002UC Anti-Tarnish Silverware Cassette | SMZEPCC1UC Edge Protector + Power Cord Clip Install Kit |
|--|-----------------------------------|--|--|--|---|





Refrigerators

Bosch refrigerators feature a sleek, stainless steel exterior and an equally stunning interior that spares no detail. Enjoy a best-in-class freshness system. Bountiful fresh filtered ice, replenished fast. And a refreshment center that doubles as a built-in wine cellar. Form and function, evolved.

Say farewell to frequent ice runs to the store with the QuickIce Pro System™. Introducing the industry's fastest refrigerator ice maker, that makes up to 12 lbs. of ice per day, for up to 40 glasses.*

Innovative VitaFresh® technology helps keep food fresh up to 3x longer**, while the adjustable FlexBar® creates extra space in your refrigerator and is completely adaptable to you and your needs.

Explore Bosch built-in and freestanding refrigerators and discover how they blend effortlessly into any kitchen space.

*Based on single ice maker production rates during a 24 hour period, measured per IEC standards, when the ice bin was removed. Results may vary depending on operating conditions. Based on filling 8 oz. glasses.

**As compared to a Bosch refrigerator without VitaFresh®. Results may vary among different foods.



Benchmark™ Series Refrigerators

include these features:



Flush Installation

Bosch built-in refrigerators offer the ultimate integrated look for your kitchen. The unique Optiflex® hinge design allows for flush installation, for full integration with your kitchen cabinets.



VitaFresh® System

The innovative VitaFresh® system is designed to extend the preservation of your food with precise temperature and humidity control.



Dual Compressors and Evaporators

Bosch built-in refrigerators feature dual compressors and evaporators in the refrigerator and freezer sections, optimizing freshness. Not only do they provide more accurate temperature and humidity control, they also help to prevent freezer burn and odor transfer.



LED Lighting Bars

Our redesigned vertical LED lighting bars clearly illuminate refrigerator contents.



ENERGY STAR® Certified

Our energy efficient Benchmark™ Series refrigerators are ENERGY STAR® certified and designed to use less energy without sacrificing features.



Benchmark™ Series Built-in Single Door Refrigerator / Freezer

Benchmark™ Series B30IR905SP
30" Built-in Custom Panel Single Door Refrigerator

- 29 3/4" W x 84" H
- Custom Panel Ready
- Installs Either Completely Flush or Framed
- Home Connect®
- LED Sidewall Lighting
- Optiflex® Hinge



Benchmark™ Series B18IF905SP
18" Built-in Custom Panel Single Door Freezer

- 17 3/4" W x 84" H
- Custom Panel Ready
- Installs Either Completely Flush or Framed
- Home Connect®
- LED Sidewall Lighting
- Optiflex® Hinge



| | Benchmark™ Series 30" Single Door Refrigerator | Benchmark™ Series 18" Single Door Freezer |
|-------------------------------|--|---|
| | Custom Panel – B30IR905SP | Custom Panel – B18IF905SP |
| General Properties | | |
| Home Connect® (Wi-Fi Enabled) | Yes | Yes |
| Reversible door hinge | Yes | Yes |
| Water filter | No | UltraClarityPro® |
| Lighting | LED sidewall | LED sidewall |
| Defrost process | Frost-free | Automatic |
| Number of shelves | 7 | 6 |
| Number of drawers | 3 | 2 |
| Shelf material | Glass with metal trim | Glass with metal trim, metal bin |
| Type of shelves | 3 adjustable, 4 full width | 2 adjustable, 4 full width |
| Number of drawers | 3 | 2 |
| Gallon storage bins | Yes | – |
| Humidity control drawer | Yes | – |
| Ice maker | No | Yes |
| Capacity | | |
| Total capacity | 16.8 cu. ft. | 8.6 cu. ft. |

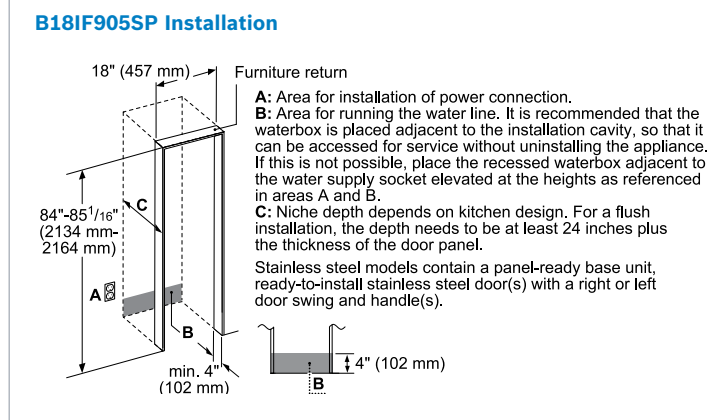
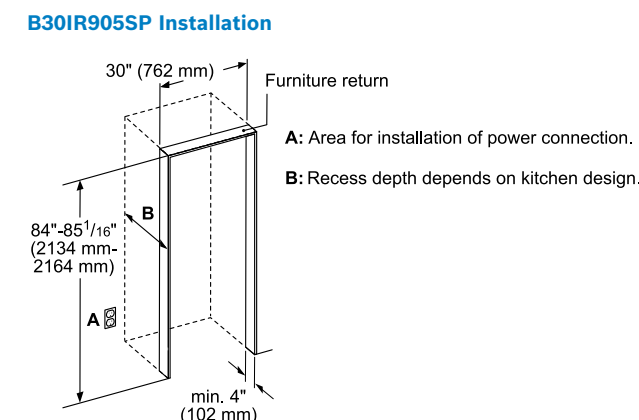
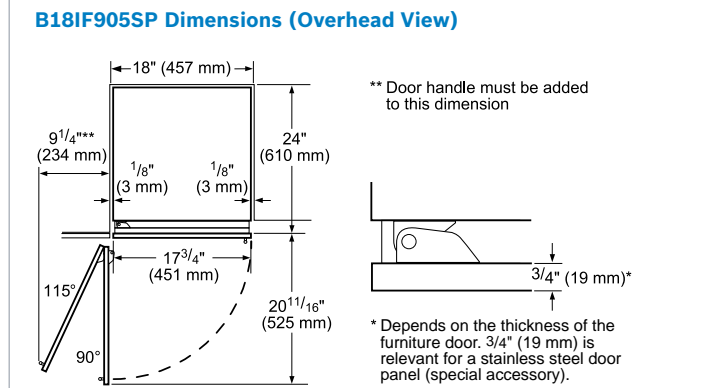
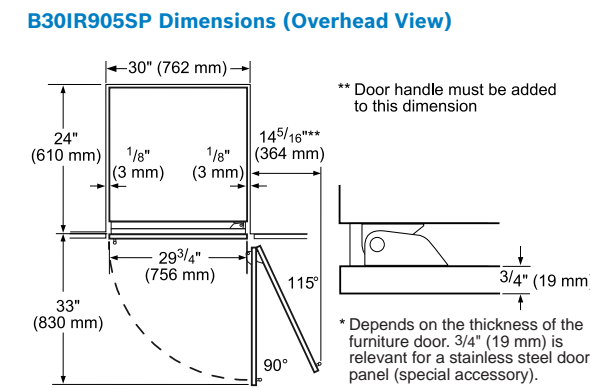
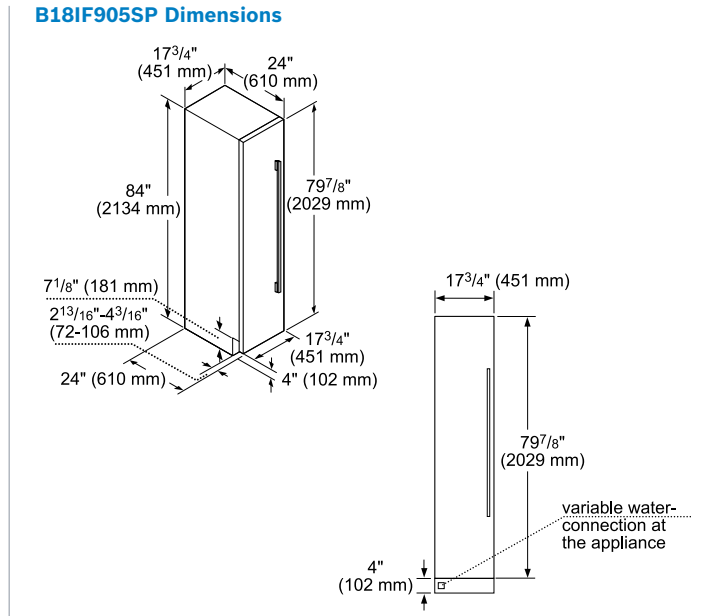
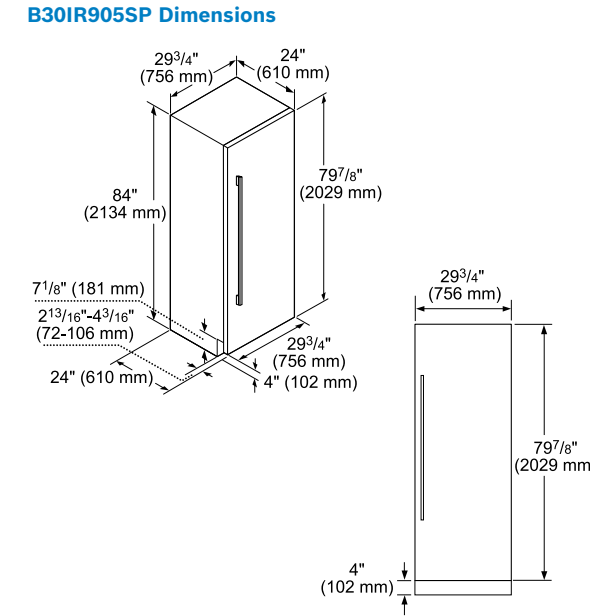
| Technical Details | | |
|--------------------------|---------|---------|
| Watts | 180 W | 367 W |
| Current | 15 A | 15 A |
| Volts | 120 V | 120 V |
| Frequency | 60 Hz | 60 Hz |
| Power cord length | 118" | 118" |
| Plug type | 3-Prong | 3-Prong |

| Dimensions & Weight | | |
|--------------------------------|----------------------------|----------------------------|
| Appliance dimensions (HxWxD) | 84" x 29 3/4" x 24 3/4" | 84" x 17 3/4" x 24 3/4" |
| Required cutout size (HxWxD) | 84" x 30" x 24 3/4" or 25" | 84" x 18" x 24 3/4" or 25" |
| Net weight | 261 lbs | 332 lbs |

| Efficiency | | |
|------------------------|------------|------------|
| ENERGY STAR® certified | Yes | Yes |
| Energy consumption | 279 kWh/yr | 404 kWh/yr |

| Optional Accessories | | | | |
|---|---|---|---|--|
| BFL30IR800 30-Inch Flat Stainless Steel Benchmark™ Series Door Panel (for B30IR905SP) | BFL18IF800 18-Inch Flat Stainless Steel Benchmark™ Series Door Panel (for B18IF905SP) | B36HNDL800 36-Inch Benchmark™ Series Handle | BORPLFTR55 UltraClarityPro® Replacement Water Filter (for B18IF905SP) | HEATKITB82 Heater Kit may be required when two columns are installed side-by-side. See page 238 for details. |

Benchmark™ Series Built-in Single Door Refrigerator / Freezer



IMPORTANT: Handleless Panels should not be installed on units without the soft close capability. If you are uncertain if you have a refrigeration unit with soft close capability please contact our customer team by calling 1-800-944-2904.

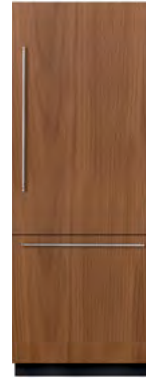


Benchmark™ Series Built-in Bottom Freezer Refrigerators



Benchmark™ Series B30BB935SS
30" Flat Stainless Steel Panel Bottom Freezer

- 29 3/4" W x 84" H
- Flat Stainless Steel Panel
- Flush Installation
- Dual Evaporators
- Home Connect®
- LED Sidewall Lighting
- Optiflex® Hinge



Benchmark™ Series B30IB905SP
30" Custom Panel Bottom Freezer

- 29 3/4" W x 84" H
- Custom Panel Ready
- Dual Evaporators
- Home Connect®
- LED Sidewall Lighting
- Optiflex® Hinge



| | Benchmark™ Series 30" Flat Stainless Panel | Benchmark™ Series 30" Custom Panel |
|--|--|------------------------------------|
| | Stainless Steel – B30BB935SS | Custom Panel – B30IB905SP |

General Properties

| | | |
|--------------------------------------|-----------------------|-----------------------|
| Home Connect® (Wi-Fi Enabled) | Yes | Yes |
| Reversible door hinge | Yes | Yes |
| Water filter | UltraClarityPro® | UltraClarityPro® |
| Lighting | LED sidewall | LED sidewall |
| Defrost process refrigerator section | Frost-free | Frost-free |
| Number of shelves – refrigerator | 3 | 3 |
| Adjustable shelves – refrigerator | 2 | 2 |
| Shelf material – refrigerator | Glass with metal trim | Glass with metal trim |
| Type of shelves – refrigerator | Full width | Full width |
| Gallon storage bins | 1 | 1 |
| Humidity control drawer | Yes – 1 | Yes – 1 |
| Defrost process freezer section | Automatic | Automatic |
| Number of drawers – freezer | 2 | 2 |
| Ice maker | Yes | Yes |

Capacity

| | | |
|----------------|------------|------------|
| Total capacity | 16 cu. ft. | 16 cu. ft. |
|----------------|------------|------------|

Technical Details

| | | |
|-------------------|--------------|--------------|
| Watts | 588 W | 588 W |
| Current | 15 A | 15 A |
| Volts | 120 V | 120 V |
| Frequency | 60 Hz | 60 Hz |
| Power cord length | 118" | 118" |
| Plug type | 120V-3 prong | 120V-3 prong |

Dimensions & Weight

| | | |
|------------------------------|---------------------|---------------------|
| Appliance dimensions (HxWxD) | 84" x 29 3/4" x 24" | 84" x 29 3/4" x 24" |
| Required cutout size (HxWxD) | 84" x 30" x 25" | 84" x 30" x 25" |
| Net weight | 439 lbs | 395 lbs |

Efficiency

| | | |
|------------------------|------------|------------|
| ENERGY STAR® certified | Yes | Yes |
| Energy consumption | 470 kWh/yr | 470 kWh/yr |

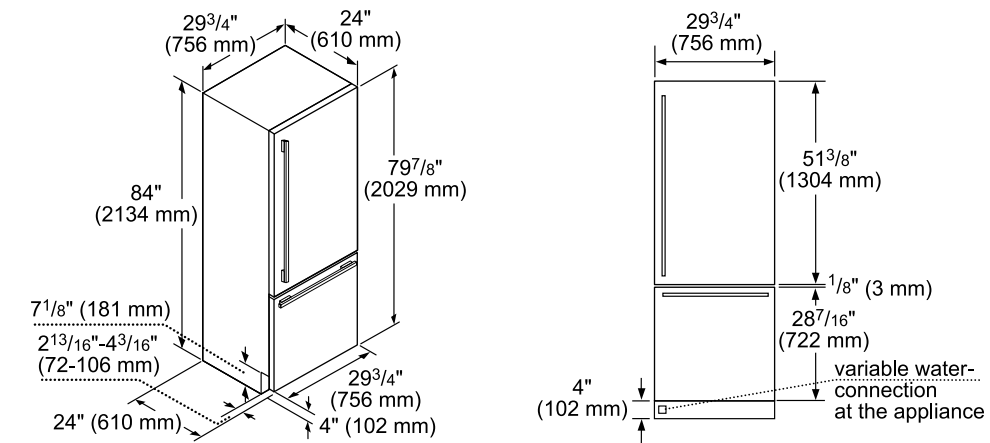
Optional Accessories

BORPLFR55
UltraClarityPro® Replacement Water Filter

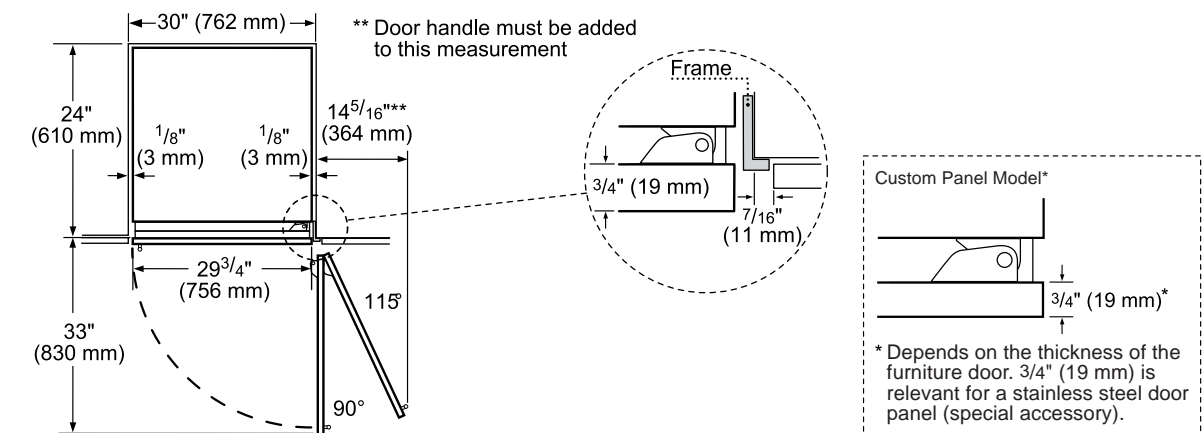
HEATKITB82
Heater Kit may be required when two columns are installed side-by-side. See page 238 for details.

Benchmark™ Series Built-in Bottom Freezer Refrigerators

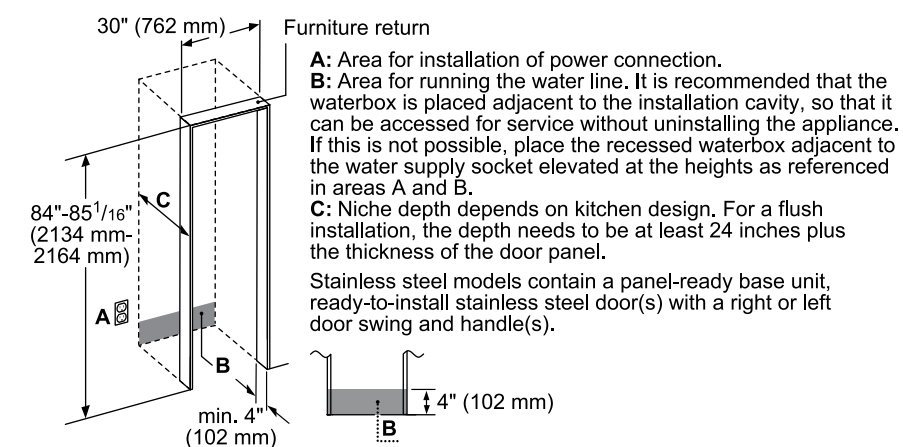
30" Built-in Bottom Freezer Dimensions



30" Built-in Bottom Freezer Dimensions (Overhead View)



30" Built-in Bottom Freezer Installation



IMPORTANT: Handleless Panels should not be installed on units without the soft close capability. If you are uncertain if you have a refrigeration unit with soft close capability please contact our customer team by calling 1-800-944-2904.



Benchmark™ Series Built-in French Door Refrigerators



Benchmark™ Series B36BT935NS
36" Flat Stainless Steel Panel French Door

- 35 3/4" W x 84" H
- Flat Stainless Panel
- Flush Installation
- Dual Evaporators
- Home Connect®
- LED Sidewall Lighting
- Optiflex® Hinge



Benchmark™ Series B36IT905NP
36" Custom Panel French Door

- 35 3/4" W x 84" H
- Custom Panel Ready
- Dual Evaporators
- Home Connect®
- LED Sidewall Lighting
- Optiflex® Hinge



| Benchmark™ Series 36" Flat Stainless Panel | Benchmark™ Series 36" Custom Panel |
|--|------------------------------------|
| Stainless Steel – B36BT935NS | Custom Panel – B36IT905NP |

General Properties

| | Benchmark™ Series 36" Flat Stainless Panel | Benchmark™ Series 36" Custom Panel |
|--------------------------------------|--|------------------------------------|
| Home Connect® (Wi-Fi Enabled) | Yes | Yes |
| Water filter | UltraClarityPro® | UltraClarityPro® |
| Lighting | LED sidewall | LED sidewall |
| Defrost process refrigerator section | Frost-free | Frost-free |
| Number of shelves – refrigerator | 3 | 3 |
| Adjustable shelves – refrigerator | 2 | 2 |
| Shelf material – refrigerator | Glass with metal trim | Glass with metal trim |
| Type of shelves – refrigerator | Full width | Full width |
| Gallon storage bins | 2 | 2 |
| Humidity control drawer | Yes – 1 | Yes – 1 |
| Defrost process freezer section | Automatic | Automatic |
| Number of drawers – freezer | 2 | 2 |
| Ice maker | Yes | Yes |

Capacity

| | | |
|----------------|--------------|--------------|
| Total capacity | 19.4 cu. ft. | 19.4 cu. ft. |
|----------------|--------------|--------------|

Technical Details

| | | |
|-------------------|--------------|--------------|
| Watts | 350 W | 350 W |
| Current | 15 A | 15 A |
| Volts | 120 V | 120 V |
| Frequency | 60 Hz | 60 Hz |
| Power cord length | 118" | 118" |
| Plug type | 120V-3 prong | 120V-3 prong |

Dimensions & Weight

| | | |
|------------------------------|---------------------|---------------------|
| Appliance dimensions (HxWxD) | 84" x 35 3/4" x 24" | 84" x 35 3/4" x 24" |
| Required cutout size (HxWxD) | 84" x 36" x 25" | 84" x 36" x 25" |
| Net weight | 540 lbs | 540 lbs |

Efficiency

| | | |
|------------------------|------------|------------|
| ENERGY STAR® certified | Yes | Yes |
| Energy consumption | 579 kWh/yr | 579 kWh/yr |

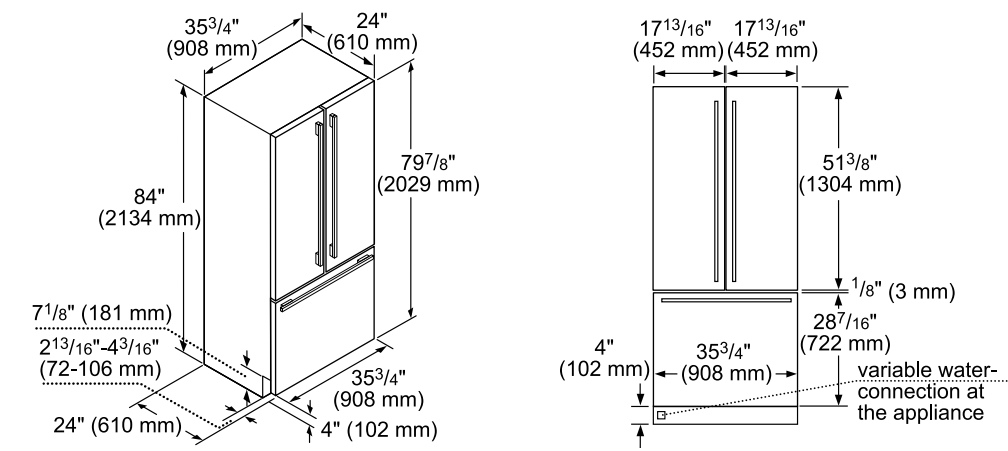
Optional Accessories

BORPLFTR55
UltraClarityPro® Replacement Water Filter

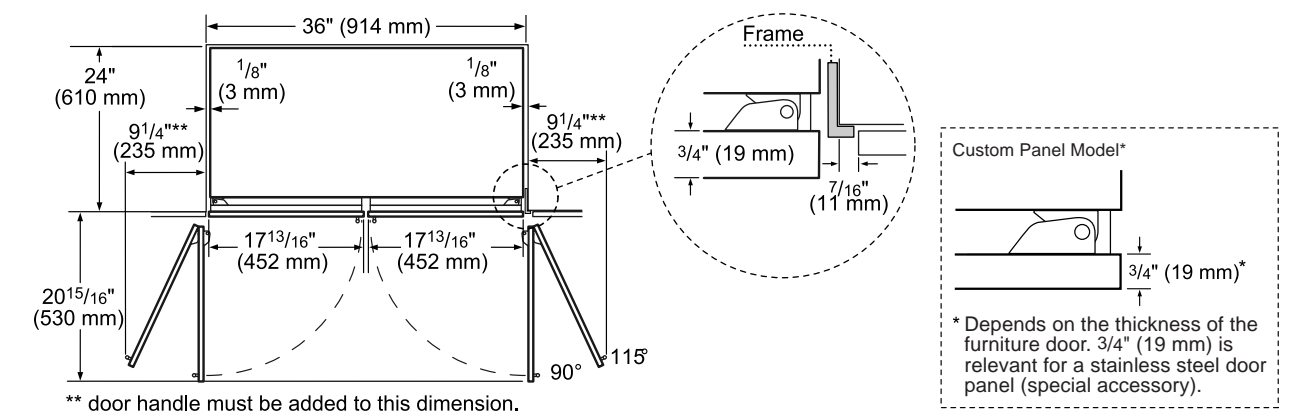
HEATKITB82
Heater Kit may be required when two columns are installed side-by-side. See page 238 for details.

Benchmark™ Series Built-in French Door Refrigerators

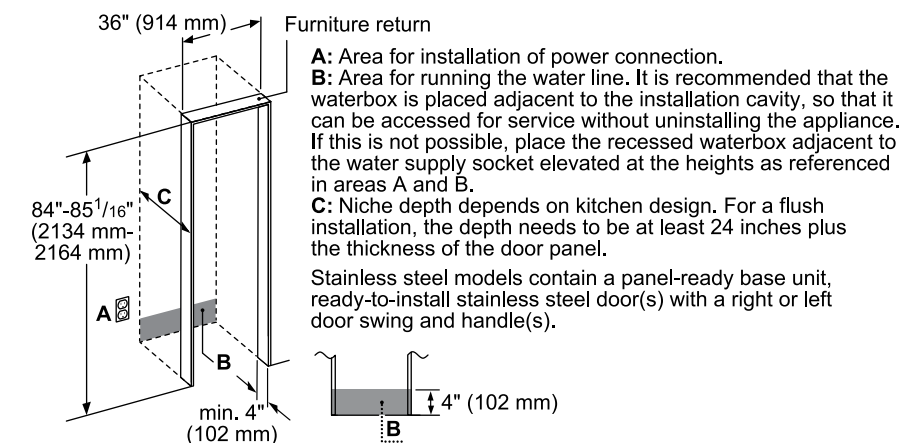
30" Built-in Dimensions



30" Built-in Dimensions (Overhead View)



30" Built-in Installation



Planning Checklist

Benchmark™ Series Built-in Refrigeration



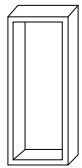

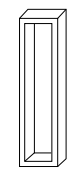

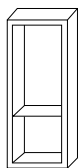
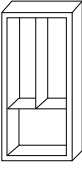
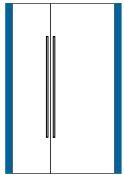
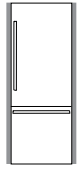
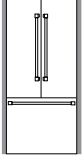
This custom product requires attention to the finest details. Carefully review all planning information, installation details and considerations and all dimensional information.

Did you remember to...?

- Choose a desired configuration – side-by-side or stand-alone columns
- Plan the cutout height(s) – 84"
- Plan the cutout width(s) – depends on configuration and column width
- Plan the cutout depth – 25" for North American style cabinets, 24" with installation frame accessory, 24" for European style cabinets
- Ensure the cutout interior (top and sides) is flush to the appliance at a depth of min. 4", preferably 6" from face frame
- Ensure the cutout interior returns (top and sides) are finished to match exterior at a depth of min. 4", preferably 6" from face frame
- Ensure proper clearance for appliance doors including handle(s) – check for interference with other appliances, open or closed cabinets and doors, nearby walls
- Properly site the electrical outlet and (if applicable) water box
- Ensure the reverse of any custom panel is finished to match the exterior
- Choose the toekick style – stainless steel (included with appliance) or design custom toekick(s)
- Procure the proper installation accessories – stainless steel frame kit (FRAMKITB80) for framed installations in 24-inch deep cutouts, heater kit (HEATKITB82) for installations where two appliances are installed side-by-side or instances where any appliances are installed less than 6" apart from another but not connected. The heater kit is also recommended for use with any installation in areas that are subject to humidity, or located next to an outside wall.

Build Your Custom Column

Benchmark™ Series Built-in Refrigeration

| 1 Choose Unit | | 2 Choose Panel | | 3 Choose Handle and Accessories (Units install either completely flush or framed with optional kit) | |
|---|--|--|---|--|--|
| Single Door Refrigerator | | | | | |
| 30" |  B30IR905SP Reversible Swing Custom Column |  BFL30IR800 Flat Stainless Steel | B36HNDL800 36" handle, coordinates with Bosch appliances. Choose one handle for each single door unit. | | |
| Single Door Freezer | | | | | |
| 18" |  B18IF905SP Reversible Swing Internal Ice Maker Custom Column |  BFL18IF800 Flat Panel Stainless Steel Custom Panel Ready | FRAMKITB80 This accessory enables installation in 24-inch deep cutouts and hides unfinished furniture returns.. Kit includes two identical and reversible vertical frames. | | |
| Bottom Freezer and French Door | | | | | |
| 30" |  B30IB905SP 2-Door Custom Column | Custom Panel Ready | Bosch handles are included | | |
| 36" |  B36IT905NP French Door Custom Column | Custom Panel Ready |  FRAMKITB80 This accessory enables installation in 24-inch deep cutouts and hides unfinished furniture returns.. Kit includes two identical and reversible vertical frames. | | |
| Pre-Assembled Bottom Freezer and French Door | | | | | |
| 30" |  B30BB935SS 2-Door Flat Stainless Steel Panels Bosch Handles Removable Frame | Flat Stainless Steel Panels are included | Bosch handles are included | | |
| 36" |  B36BT935NS French Door Flat Stainless Steel Panels Bosch Handles Removable Frame | Flat Stainless Steel Panels are included | A frame is attached to all pre-assembled models. It is removable if a flush installation in a 25" deep cabinet is desired. | | |

IMPORTANT: Use a sealing kit when connecting refrigerator and freezer columns side-by-side (included with every freezer column). Use HEATKITB82 for all non-traditional side-by-side combinations, installations where columns are not connected but less than six inches (152 mm) from one another and for any installation in areas subject to excessive humidity. See page 238 for details.



Optional Accessories and Installation Considerations

Benchmark™ Series Built-in Refrigeration

Flat Stainless Steel Door Panels



BFL30IR800

For 30-Inch Single Door Refrigerator Model B30IR905SP

BFL18IF800

For 18-Inch Single Door Freezer Model B18IF905SP

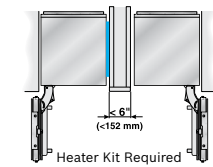
Installation Accessories

FRAMKITB80 Frame Kit



Included with all pre-assembled bottom freezers, this adjustable frame is also available as an optional accessory for use with any custom column for installation in 24-inch (610 mm) deep cutouts. The kit includes two identical and reversible metal side trims whose placement between the interior cutout wall and the appliance helps overcome the challenge of unfinished cabinet returns.

HEATKITB82 Heater Kit



Low voltage heating element designed to guard against condensation build up. For use with non-traditional side-by-side installations or instances where appliances are installed less than 6-inches (152 mm) apart from one another but not connected side-by-side. This kit is recommended for areas that are subject to high humidity or located next to an outside wall.

Filter Accessories

BORPLFTR55

UltraClarityPro® Replacement Water Filter (for B18IF905SP, B30BB935SS, B30IB905SP, B36BT935NS & B36IT905NP)

Handles



B36HNDL800 36-Inch Handle

Coordinates with Bosch appliances. Choose one handle for each single door unit

Location

The appliance should be installed in a dry, ventilated room. It may not be installed outdoors. The ambient temperature of the room must be between 55°F (13°C) and 100°F (43°C).

The appliance should not be exposed to constant direct sunlight or excessive heat. If installation next to a heat source, such as an oven, radiator, etc. is unavoidable, use a suitable insulating plate or observe the following minimum distances from the heat source:

- 1 1/4" (30 mm) from an electric cooking appliance,
- 11 13/16" (300 mm) from an oil or solid-fuel cooking appliance.

Installation And Cutout Dimensions

Please see pages 231, 233, 235 and 242–247 for complete cutout planning information.

It is important to observe the specified dimensions of the installation cutout for a trouble-free installation of the appliance and for the subsequent appearance of the door panel.

- In particular ensure that the cutout is square. Squareness can be checked by suitable means, e.g. spirit level, diagonal measurements, etc.
- The side walls of the cutout must be flush. The minimum thickness of the side and top walls is 5/8" (16 mm). The minimum thickness of toekick panel is 1/4" (6 mm).

Furniture / Fixtures

During installation, the appliance is fastened to adjacent and overhead furniture / fixtures and it is therefore essential that all such furniture / fixtures are well secured to the substructure or adjacent wall.

Flooring / Substructure

On account of the heavy weight of a fully loaded appliance, a load-bearing substructure is required. To ensure correct installation and function, the support must be flat, level and made of hard, rigid material. If in doubt, contact an architect or a building expert.

Refer to the following table for load-bearing capacity:

| Appliance | Load Bearing Capacity |
|----------------------------------|-----------------------|
| 30-Inch Single Door Refrigerator | 1,110 lbs. / 500 kg |
| 18-Inch Single Door Freezer | 560 lbs. / 250 kg |
| 30-Inch Bottom Freezer | 900 lbs. / 410 kg |
| 36-Inch French Door | 1,200 lbs. / 540 kg |

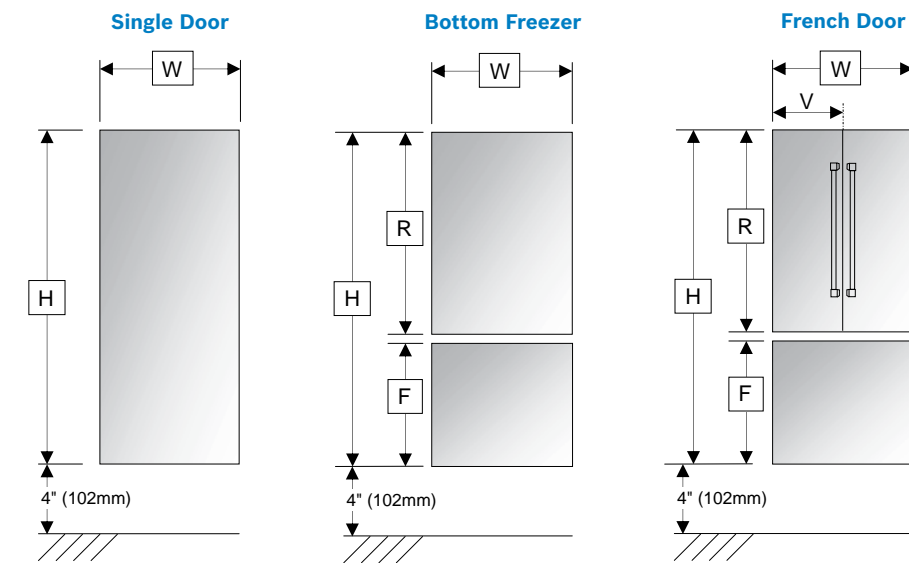
Door Panel Dimensions

Benchmark™ Series Built-in Refrigeration

Select Bosch built-in refrigeration appliances are designed to be equipped with a decorative door panel. A panel can be custom-made or purchased as a stainless steel accessory. The table below illustrates the dimensions of the stainless steel panel accessories and can be used as a guide in creating custom panels. At 79 7/8" (2029 mm) tall, they are designed for a toekick height of 4" (102 mm), and a total cutout height of 84" (2134 mm) yielding 1/8" (3 mm) reveals. At 3/4" (19 mm) deep, they are designed to attach to the 24" (610 mm) deep appliance for an overall depth of 24 3/4" (629 mm). See pages 231, 233, 235 and 242–247 for cutout planning.

When using custom panels, always ensure that the panel reverse is finished to match the exterior, as parts of the panel reverse will be visible when the refrigerator door is opened.

IMPORTANT: While these sketches can serve as a general guide in planning panel dimensions, the correct panel dimensions are dictated by design choices including style and dimensions of surrounding kitchen cabinetry, case and toekick height, etc. Please ensure careful planning based on the specific kitchen design.



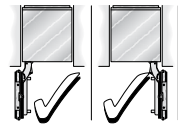
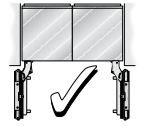
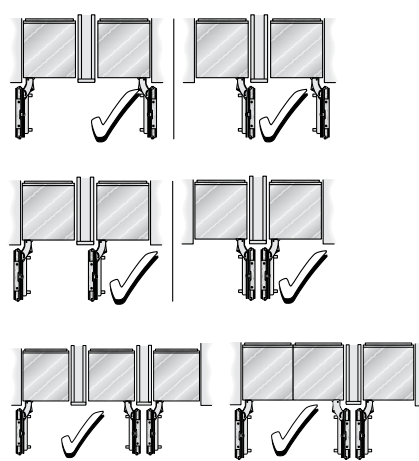
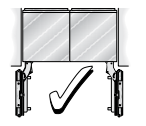

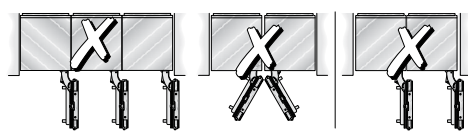
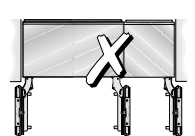
| | 18-Inch Single Door Freezer | 30-Inch Single Door Refrigerator | 30-Inch Bottom Freezer | 36-Inch French Door |
|--------------------------|-----------------------------|----------------------------------|------------------------|---------------------|
| H | 79 7/8" (2029 mm) | 79 7/8" (2029 mm) | 79 7/8" (2029 mm) | 79 7/8" (2029 mm) |
| W | 17 3/4" (451 mm) | 29 3/4" (756 mm) | 29 3/4" (756 mm) | 35 3/4" (908 mm) |
| V | – | – | – | 17 3/4" (451 mm) |
| R | – | – | 51 11/32" (1304 mm) | 51 11/32" (1304 mm) |
| F | – | – | 28 13/32" (722 mm) | 28 13/32" (722 mm) |
| Max. Panel Weight | 37 lbs. (17kg) | 64 lbs. (29kg) | 55 lbs. (25kg) | 55 lbs. (25kg) |



Installation Options

Benchmark™ Series Built-in Refrigeration

The Bosch Built-in Refrigeration Collection offers a variety of installation possibilities*. In some instances, special accessories are required.

| Recommended Installations | Considerations |
|---|--|
| Stand-Alone  | Any appliance can be installed as a stand-alone unit. Ensure a cutout flush to the appliance at a depth of minimum 4" (102 mm), preferably 6" (152 mm) on the top and sides. |
| Side-by-Side  | When two appliances are installed side-by-side a sealing kit must be used. For combinations that involve a freezer column, this kit is provided. For all other (non-traditional) side-by-side combinations or instances where any appliances are installed less than 6" (152 mm) apart from one another but not connected side-by-side, purchase the Heater Kit (HEATKITB82). |
| Split Columns with Partition  | When dimensioning the partition, note the thickness of the door panel (including handles) as well as the swivel range to prevent damage if the doors are opened at the same time. (See page 242 for details on door swivel range dimensions) Three appliances can be installed together only if a partition—minimum 5/8" (16 mm)—is placed between two of the appliances. Ensure that door panel thickness (including handles) as well as the swivel range are accounted for. |
| At the End of a Cabinetry Run  | All appliances must be completely enclosed on the top and sides. If one side of the appliance is visible, a decorative side panel must be used. The side panel must be connected firmly to the wall, the floor and any overhead furniture / fixtures before the appliance is placed in the cutout. |
| Not Recommended | Concerns |
|  | It is absolutely essential to ensure that the appliance is installed in such a way that the doors do not interfere with an adjacent wall or other kitchen elements. (See page 242 for details on door swivel range dimensions) |
|  | A partition—minimum 5/8" (16 mm)—is required to ensure the doors do not interfere with one another when opened. Use a partition to separate appliances and observe the door swivel range. (See page 242 for details on door swivel range dimensions) |
|  | A French Door Bottom Freezer cannot be connected side-by-side with any other appliance. Use a partition to separate appliances and observe the door swivel range. (See page 242 for details on door swivel range dimensions) |

*The Bosch warranty shall apply only to recommended installations.

Planning Information

Benchmark™ Series Built-in Refrigeration

Electrical Specifications

The appliance comes with a 3-wire power supply cord. UL listed in the USA.

The appliance requires a 3-wire receptacle that is fitted with a 15 Amp fuse or higher. Refer to the following table for max load details.

| Appliance | Max Load |
|----------------------------------|---------------|
| | 120V AC, 60Hz |
| 30-Inch Single Door Refrigerator | 15 A |
| 18-Inch Single Door Freezer | 15 A |
| 30-Inch Bottom Freezer | 15 A |
| 36-Inch French Door | 15 A |

*Including ice maker

The receptacle must be installed by a licensed electrician only.

For the installation position of the receptacle refer to diagram in "Electrical Location".

Grounding Instruction

This appliance must be grounded. In the event of a malfunction or breakdown, grounding will reduce the risk of electric shock by providing a path of least resistance for the electric current.

Additional Grounding Procedure

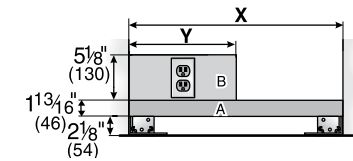
Some local regulations may require a separate ground. In such cases, the required accessory ground wire, clamp and screw must be purchased separately. Never ground the appliance to plastic plumbing lines, gas lines or water pipes.

A 4-conductor cord shall be used when the appliance is installed in an area where local codes do not permit grounding through the neutral. Power supply cord must be replaced by a licensed electrician only.

Warning

Improper connection of the equipment grounding conductor may result in electric shock. Have the appliance checked by a qualified electrician or service technician if you are in doubt as to whether the appliance has been properly grounded.

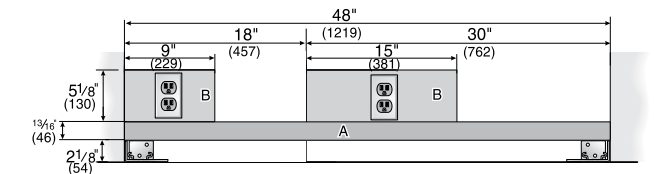
Electrical Location



Split Column Installation

| | 18-Inch | 30-Inch |
|---|--------------|--------------|
| X | 18" (457 mm) | 30" (762 mm) |
| Y | 9" (229 mm) | 15" (381 mm) |

Side-by-Side Installation



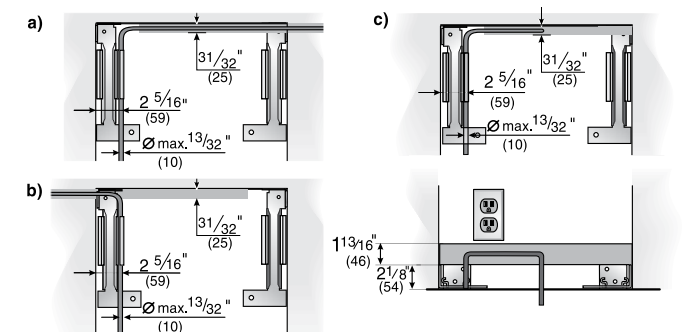
Water Location

A cold water connection is required for appliances that feature an ice maker or an ice and water dispenser.

The water pressure must be between 40 and 120 p.s.i. (2.75–8.25 bar). The installation must comply with local plumbing regulations.

A separate shut-off valve must be installed for the appliance water connection.

The shut-off valve for the water connection may not be behind the appliance. It is recommended to place the shut-off valve outside the cutout next to the appliance or in another easily accessible location. When installing the water connection, observe the permitted installation areas for the water supply line. The supply line can be located to the right (a), to the left (b), or underneath (c).



Planning Information

Benchmark™ Series Built-in Refrigeration

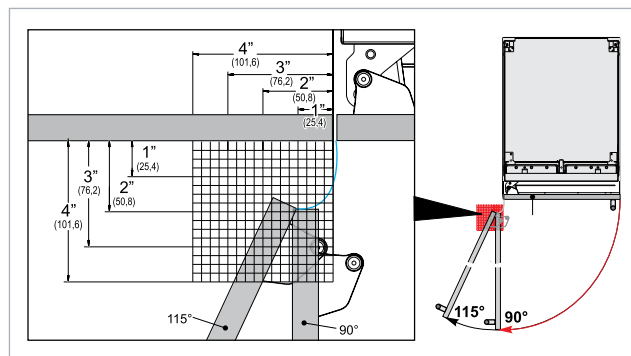
Door Swivel Range

It is absolutely essential to ensure that the appliance is installed in such a way that the doors (including handles) and adjacent cabinets, countertops, pilasters, walls or other kitchen elements do not interfere with one another when opened. The illustrations below depict the swivel range of the refrigerator doors including mounted door panels of both 3/4" (19 mm) and 1 1/2" (38 mm) thickness.

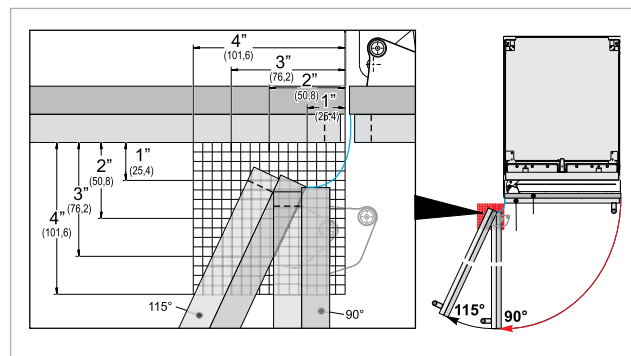
In the event of door interference the following solutions may be employed:

- Limit the refrigerator door opening angle to 90° with a door stop pin inserted into the hinge.
- Reduce the door panel thickness (if larger than 3/4" (19 mm)).
- Install a spacer between the appliance and the kitchen element that creates the interference.
- Rearrange the opposing kitchen element that creates the problem.
- Create a protruding cutout for the appliance.

Door Swivel Range – 3/4" (19 mm) Flush Appliance Door Panel

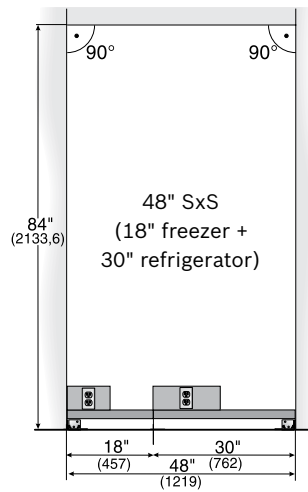


Door Swivel Range – 1 1/2" (38 mm) Flush Appliance Door Panel

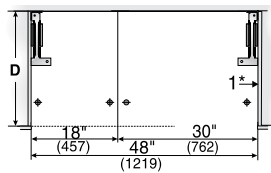


Side-by-Side Installation

The cutout width for side-by-side installations is defined by adding together the dimensions of two single columns. Below are the dimensions of a classic 48" side-by-side, with an 18" freezer on the left and a 30" refrigerator on the right.



IMPORTANT: Just as with stand-alone columns, always ensure that the receptacles and the water line are correctly positioned. For dimensional requirements see page 241.



A: Area for running the water line. It is recommended the water-box be placed adjacent to the installation cutout, so that it can be accessed for service without uninstalling the appliance. If this is not possible, place the recessed water box adjacent to the power supply socket elevated at the heights as referenced in areas A+B.

B: Area for installing the power connection
D: Opening depth of cutout, depending on kitchen design (24" minimum)

Planning Information

Benchmark™ Series Built-in Refrigeration

Cabinetry Terms & Basic Requirements

To clarify the terms that are used in this design guide, please refer to the following definitions:

Case

This is the main body of a kitchen cabinet.

(Cabinet) Face Frame

This is a decorative frame at the front of a kitchen cabinet representing the space between cabinetry doors or drawers and is typical for North America. European style cabinets (frameless cabinetry) typically do not have a face frame.

Door Panel

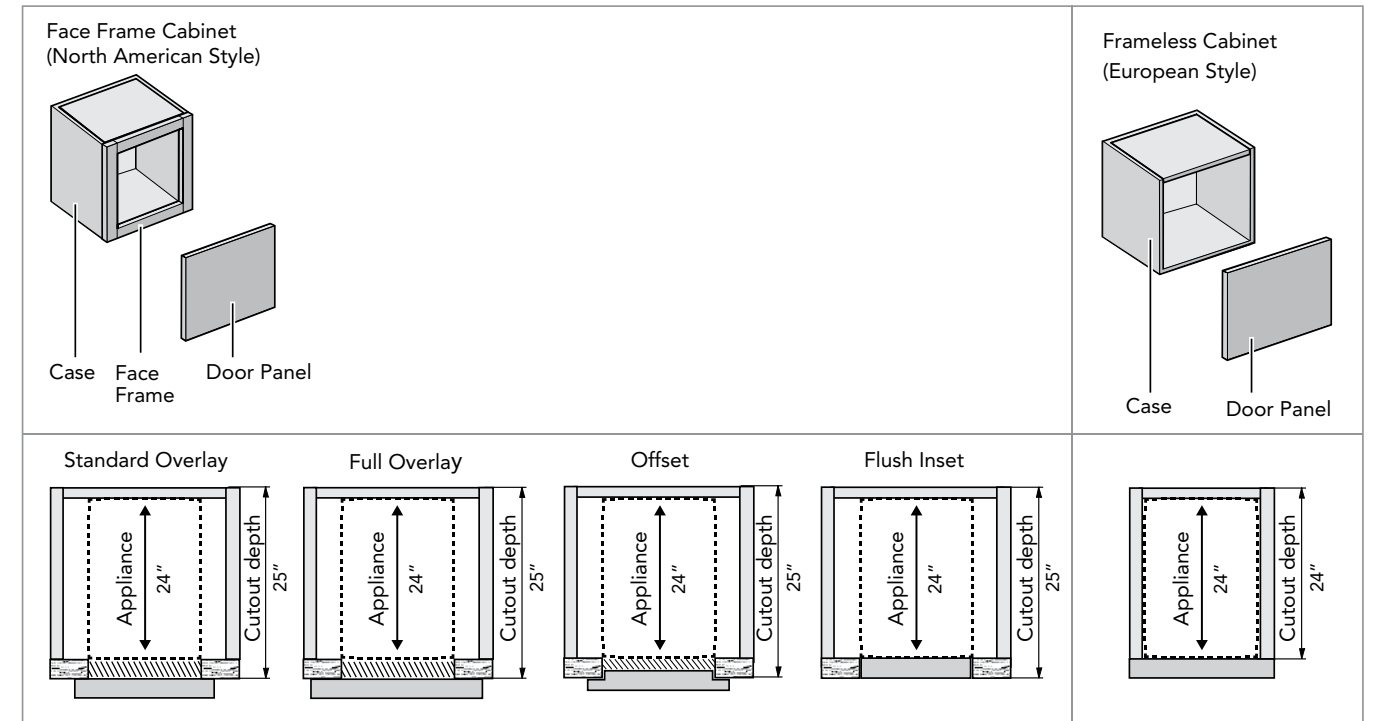
Able to be fully flush integrated when installed in 25" (635 mm) deep cabinets, Bosch built-in, custom panel refrigerators are intentionally designed to be equipped with custom door panels that perfectly match surrounding kitchen cabinetry. Typical panel thickness is 3/4" (19 mm). However, thicker panels can be accommodated to emulate the look of the visible face frame (as in overlay) or to match existing kitchen cabinetry doors. When using custom panels, always ensure that the panel reverse is finished to match the exterior, as parts of the panel reverse will be visible when the refrigerator door is opened.

Cutout (Niche)

The cutout is the cavity in which a Bosch built-in refrigerator and / or freezer is installed. The width of the cutout (18-inch, 30-inch, etc.) is dependent on the appliance(s). The total depth of the cutout is equal to the depth of the case plus face frame. It does not necessarily include the thickness of the door panel. For proper planning of cutout depth, please refer to pages 231, 233, 235 and 242–247.

Typically, the cutout for a Bosch built-in refrigerators and freezers will be 25" (635 mm) deep. When planning the cutout, it is essential that the top and side interior walls be flush to the appliance at a minimum depth of 4" (102 mm) from the outer edge of the face frame and composed of thick (5/8" (16 mm) minimum) material for secure installation. Also, because the case interior will be partially visible when the refrigerator door is opened, always ensure that the top and side returns are finished to match the exterior furniture at the same minimum depth of 4" (102 mm).

Kitchen Cabinetry Illustration



Planning Information

Benchmark™ Series Built-in Refrigeration

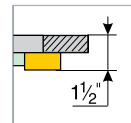
Cabinetry Style & Cutout Depth

Bosch built-in refrigerators and freezers are designed to accommodate nearly any type of kitchen cabinetry door installation. Generally, when using standard 3/4" (19 mm) panels, 25" (635 mm) deep cutouts are recommended but the required cutout depth depends on the desired cabinetry and custom panel execution, whether typical North American styles that employ a face frame—requiring a depth of 25" (635 mm)—or European style—requiring a depth of 24" (610 mm).

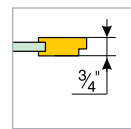
The below cabinetry styles detail requirements for the cutout and custom panel.

A) Standard (Partial) Overlay – 25" (635 mm) Cutout Depth

With standard overlay kitchen cabinetry the face frame is an important design element. In order to emulate this aesthetic for the refrigerator, one must account for the door panel thickness (typically 3/4" (19 mm)) as well as the face frame thickness (here, also 3/4" (19 mm)). The resulting thickness of the custom door panel is therefore 3/4" (19 mm) + 3/4" (19 mm) = 1 1/2" (38 mm). The cumulative thickness of the custom door panel requires added depth in the cutout so 25" (635 mm) is recommended (see sketch).



A) Standard Overlay Design
Custom Door Panel (Emulating a Face Frame)



B) Full Overlay Design
Custom Door Panel with Nose (Emulating a Face Frame)

B) Full Overlay – 25" (635 mm) Cutout Depth

The requirements for standard overlays are also valid for full overlay designs so 25" (635 mm) cutout depth is recommended. However, especially if kitchen cabinet doors are thinner than 3/4" (19 mm) or reveals are 1/8" (3 mm) or smaller, a 24" (610 mm) cutout depth may also be acceptable. In this execution both the cabinet door and the small reveal of the fully overlaid face frame must be emulated within the typical appliance door panel thickness of 3/4" (19 mm). This can be done either a) by simply ignoring the visible area of the face frame (very small reveals show virtually no face frame) or b) by creating a “nose” on the custom door panel to emulate a small visible face frame (see sketch).

C & D) Offset & Flush Inset – 25" (635 mm) Cutout Depth

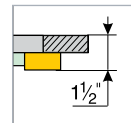
Here, kitchen cabinetry door panels do not rest atop the cabinet face frame (overlay), but are instead inserted partially (offset) or fully flush (inset) into the face frame. Such offset or flush inset door panels require additional depth in the cutout. Using the example of a 3/4" (19 mm) thick panel, the complete cutout depth would be 24" (610 mm) + 3/4" (19 mm) = 24 3/4" (629 mm) and in this example 25" (635 mm) is recommended.

E) Framed – 24" (610 mm) Cutout Depth

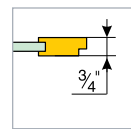
A metal frame (FRAMKITB80) may be affixed to the side of the cabinet which conveniently hides unfinished case returns and provides a classic built-in look. This is particularly relevant for existing cabinetry that has not been custom-built to accommodate these appliances. A 24" (610 mm) cutout will result in a slightly protruding door panel for a typical built-in look.

F) European Style Kitchen Cabinetry – 24" (610 mm) Cutout Depth

If the kitchen design is based on European style cabinetry, there is no need to emulate the look of a face frame, as such a frame is not an element of the kitchen cabinetry design. Therefore a 24" (610 mm) deep cutout with accompanying custom panel will always be sufficient.

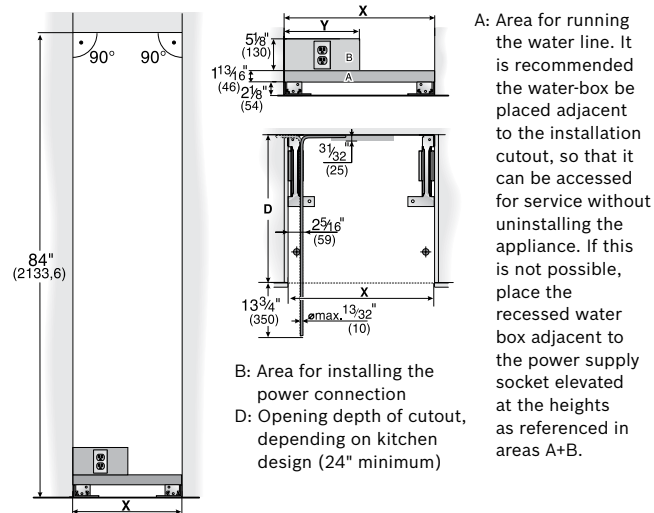


A) Standard Overlay Design
Custom Door Panel (Emulating a Face Frame)



B) Full Overlay Design
Custom Door Panel with Nose (Emulating a Face Frame)

Split Column Installation



| | X | Y |
|----------------------------------|--------------|--------------|
| 18-Inch Single Door Freezer | 18" (457 mm) | 9" (229 mm) |
| 30-Inch Single Door Refrigerator | 30" (762 mm) | 15" (381 mm) |
| 30-Inch Bottom Freezer | 30" (762 mm) | 15" (381 mm) |
| 36-Inch French Door | 36" (914 mm) | 18" (457 mm) |

Important

It is strongly recommended the top interior of the cutout be of solid material (5/8" (16 mm) thickness). Ensure that the top well is completely flush for a depth of at least 4" (102 mm).

Ensure that the side walls of the cutout are also completely flush to a depth of at least 4" (102 mm).

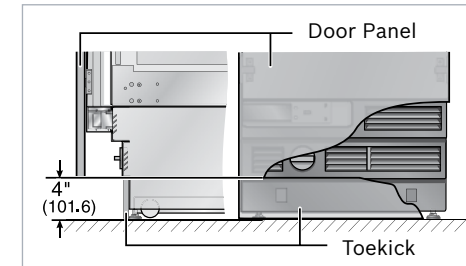
If, for some reason, a separate cutout cabinet is created, ensure that the furniture return is at least 4" (102 mm) deep for proper installation.

Planning Information

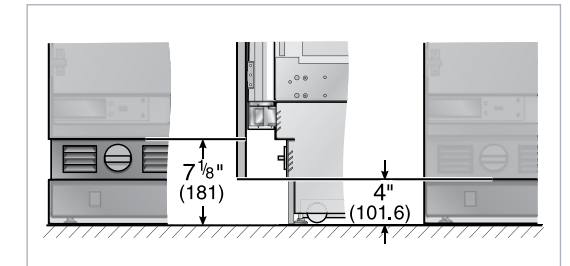
Benchmark™ Series Built-in Refrigeration

Toekick & Venting Grille

Each Bosch built-in refrigeration appliance comes with a 4" (102 mm) tall stainless steel toekick. A custom-made toekick that matches the surrounding cabinetry may be applied instead. While standard toekick height is 4" (102 mm), depending on the usage of the leveling legs, the toekick height could vary. Regardless of toekick height, it is imperative that the venting grille remain unblocked to ensure proper functionality of the appliance. Decorative toekicks should be removable to allow for servicing.



Typical 4" (102 mm) toekick height. Velcro adhesive strips are used to fasten the toekick to the appliance. Venting grille and (if applicable) the water filter cavity are located above the toekick area.



If required by the surrounding cabinetry design, the distance between the bottom edge of the door panel and the floor can be increased from approx. 4" (102 mm) up to 7 1/8" (181 mm), but should not be decreased. Note, however, that the venting grille and (if applicable) water filter cavity will be visible, even if the door is closed.

Upper Molding

The planning of decorative upper molding above the cutout requires taking into account the actual or desired height of the door panel.

The overall height of the door panel will depend on:

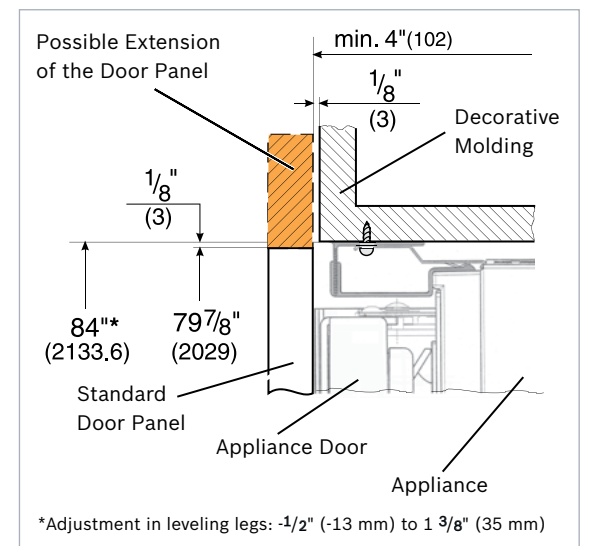
- the height of the appliance, typically 84" (2134 mm)—leveling legs allow height adjustment ranging from -1/2" (-13 mm) to +1 3/8" (+35 mm)
- the installed height of the door panel (distance from the bottom edge of the door panel to the floor, typically 4" (102 mm), and, if desired, any extension of the custom panel above the appliance cutout)
- the appliance type (single door or bottom freezer)

Important

Please recall that a panel should be installed at a minimum height of 4" (102 mm) from the floor to allow proper ventilation of the appliance.

Always ensure that the top of the cutout or upper decorative molding is at least 4" (102 mm) deep, so that the refrigerator can be properly secured to the cutout wall. This is particularly important if a protruding cutout is specially created and configured with a face frame. Furniture returns for any face frame must be a minimum of 4" (102 mm) deep.

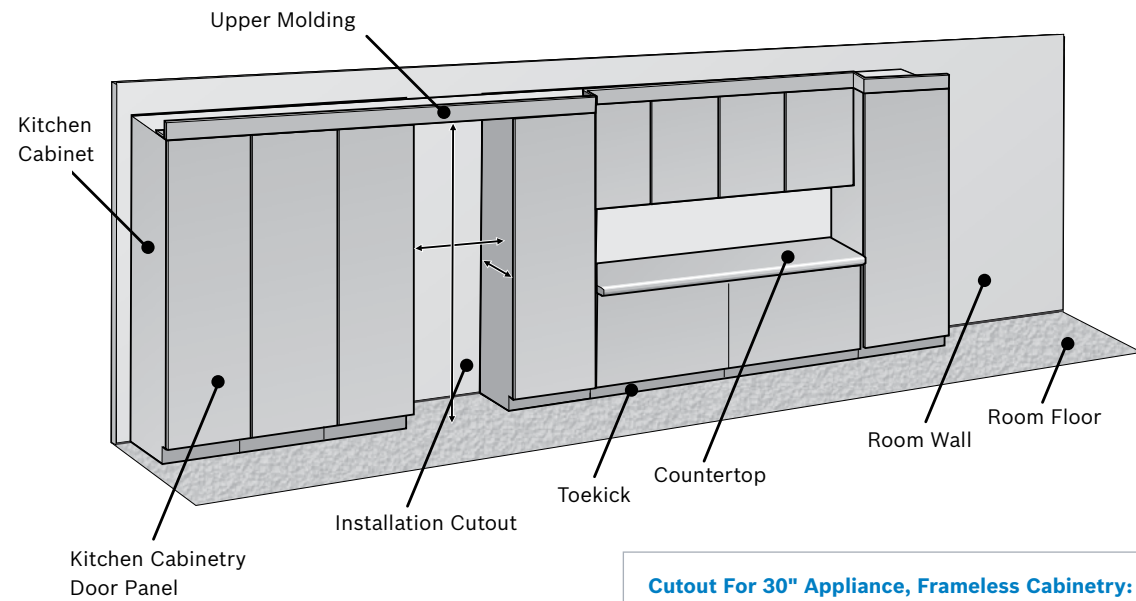
Vertical Section, Side View:



Planning Information

Benchmark™ Series Built-in Refrigeration

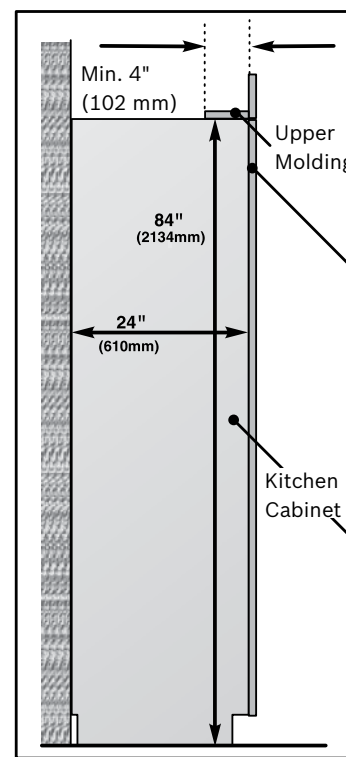
Planning Example #1: Frameless (European) Cabinetry



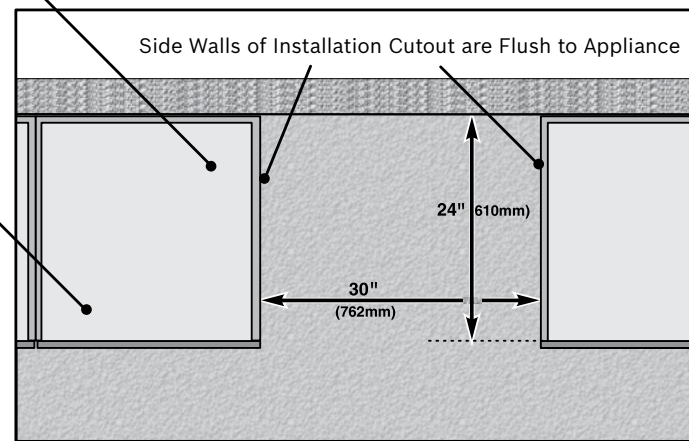
Cutout For 30" Appliance, Frameless Cabinetry:
 In this example, the installation cutout is formed by simply leaving a gap between two kitchen cabinets.

The custom door panel 3/4" (19 mm) will be identical in appearance and thickness to the surrounding kitchen cabinetry panels.

- cutout width is exactly 30" (762 mm)
- cutout (case) depth is 24" (610 mm)—does not include door panel
- top and side walls of cutout interior are completely flush, of solid material and at least 4" (102 mm) deep



Installation Cutout (Vertical Section)

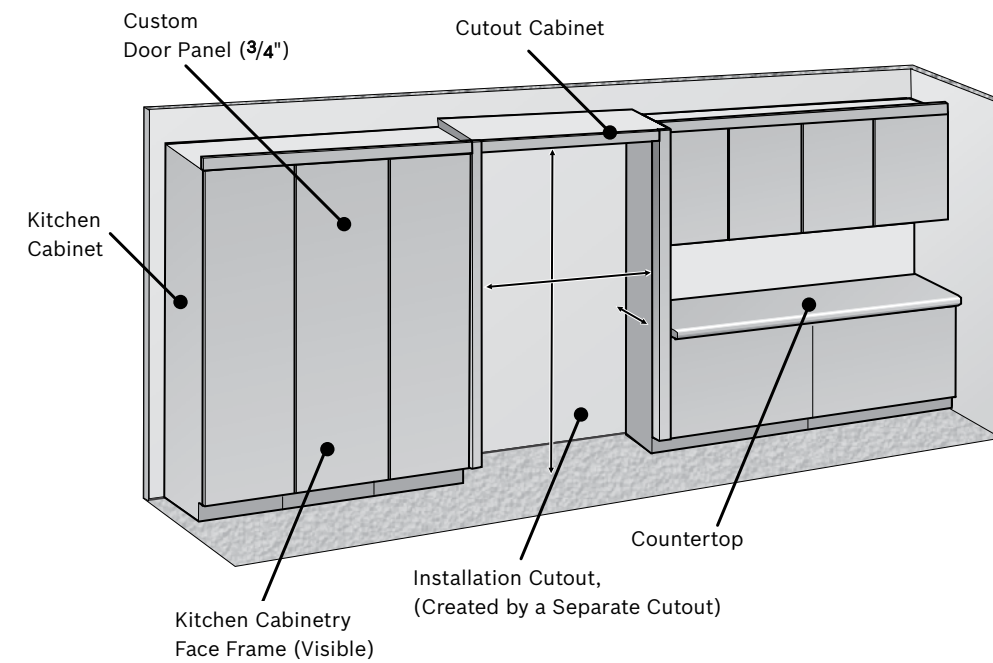


30-Inch Installation Cutout (Horizontal Section)

Planning Information

Benchmark™ Series Built-in Refrigeration

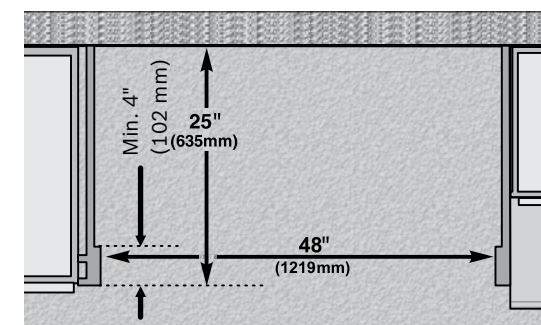
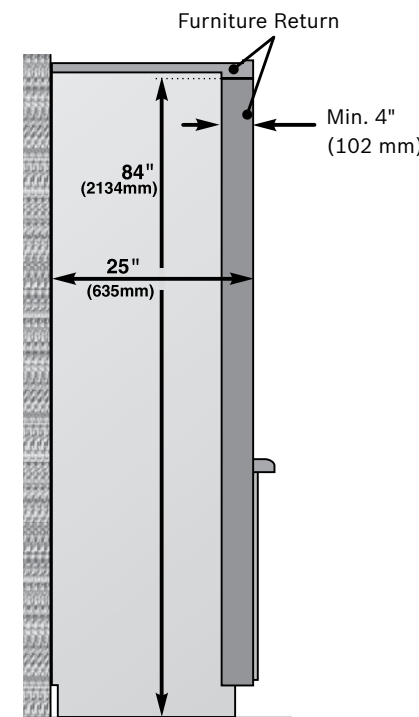
Planning Example #2: Standard Overlay Cabinetry



CUTOUT FOR 48" SIDE-BY-SIDE APPLIANCE COMBINATION, STANDARD OVERLAY CABINETRY:
 In this example, the installation cutout is formed by creating a separate cutout around the appliances. It yields a look that deviates from the general kitchen design.

The custom door panel has a cumulative thickness of 1 1/2" (38 mm), 3/4" (19 mm) emulating the face frame and 3/4" (19 mm) for the actual door panel. Thus, a 25" (635 mm) deep installation cutout is required.

- cutout width is exactly 48" (for an 18" + 30" = 48" side-by-side combination)
- cutout (case) depth is 25" (635 mm) due to 1 1/2" (38 mm) custom door panel
- any furniture return must be at least 4" (102 mm) deep, on interior top and sides, of solid material and should be finished to match the exterior at the same depth (4" or 102 mm)



800 Series French Door Refrigerators



800 Series
B36CT80SNS (Stainless Steel with Bar Handles)
B36CT80SNB (Black Stainless Steel with Bar Handles)
B36CT81ENS (Stainless Steel with Recessed Handles)
French Door

- + Dual Compressor and Dual Evaporator
- Counter-Depth
- + VitaFreshPro® Freshness Settings
- Interior Water Dispenser
- + FlexBar® Flexible Storage Bar
- Home Connect®



+ Indicates a step-up feature

800 Series 36" Counter-Depth

Stainless Steel with Bar Handles – B36CT80SNS
 Black Stainless Steel with Bar Handles – B36CT80SNB
 Stainless Steel with Recessed Handles – B36CT81ENS

General Properties

| | |
|--|---------------------------------------|
| Full 72" height and true counter depth for built-in appearance | Yes |
| Easy Clean Stainless Steel | Yes |
| Lighting | Recessed LED light bars |
| Number of compressors / evaporators | 2 / 2 |
| Defrost process refrigerator / freezer section | Frost-free / automatic |
| Adjustable tempered glass shelves – refrigerator | 4 half-width |
| Flexible storage bar | FlexBar® |
| Full width temp. & humidity controlled drawer | VitaFreshPro® |
| Humidity control compartments, gallon storage bins | 2, 2 |
| Water dispenser, freezer ice maker, water filter | Yes (internal), yes, UltraClarityPro® |
| MultiAirFlow™ | Yes |
| AirFresh® filter, FreshProtect® ethylene filter | Yes, yes |
| Stainless steel back wall | Yes |
| Number of drawers – freezer | 3 |
| Home Connect® (Wi-Fi enabled) | Yes |

Capacity

| | |
|-----------------------|--------------|
| Total capacity | 20.8 cu. ft. |
| Refrigerator capacity | 14.8 cu. ft. |
| Freezer capacity | 6.0 cu. ft. |

Technical Details

| | |
|---------------------------|----------------------|
| Current, Volts, Frequency | 15 A , 115 V , 60 Hz |
| Power cord length | 67" |
| Plug type | 120V-3 prong |

Dimensions & Weight

| | |
|--|--|
| Appliance dimensions with hinges, handles and doors (HxWxD) | B36CT80SNS, B36CT80SNB: 72** x 35 5/8" x 31 1/8" B36CT81ENS: 72** x 35 5/8" x 28 3/4" |
| Appliance dimensions without hinges and doors (HxWxD) | 71 1/2" x 35 5/8" x 24*** |
| Appliance dimensions with hinges and doors, no handles (HxWxD) | 72** x 35 5/8" x 28 3/4" |
| Required cutout size (HxWxD) | 72" x 36" x 25" |
| Net weight | 350 lbs |

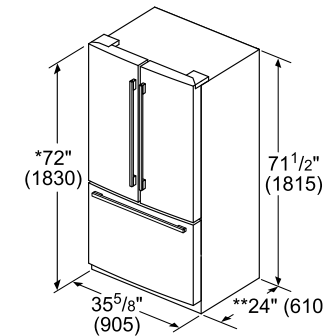
Efficiency

| | |
|------------------------|------------|
| ENERGY STAR® certified | Yes |
| Energy consumption | 570 kWh/yr |

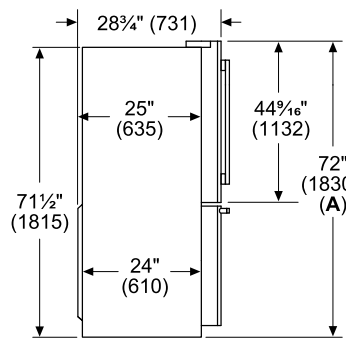
*When leveling legs are fully extended, add 5/8" to overall height, total 72 5/8".
 **The cutout depth of 25" includes the required 1" airflow. The electrical covers on the back of unit do not require additional depth.

800 Series French Door Refrigerators

B36CT80SNS/B Dimensions



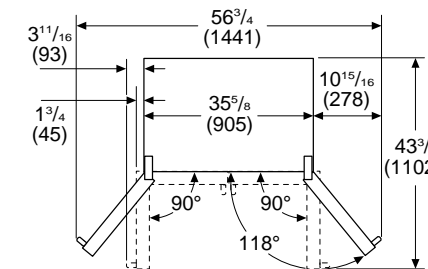
*Add 5/8" (17) with front levelling feet fully extended
 **Add 1" (25) for fixed spacers on back measurements in inches (mm)



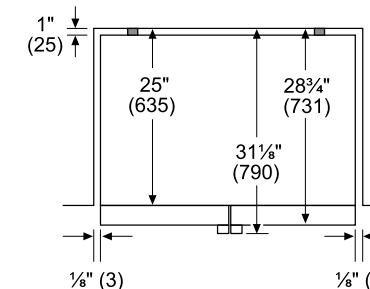
A: Add 5/8" (17) with front leveling feet fully extended
 Measurements in inches (mm)

B36CT80SNS/B (Overhead Views)

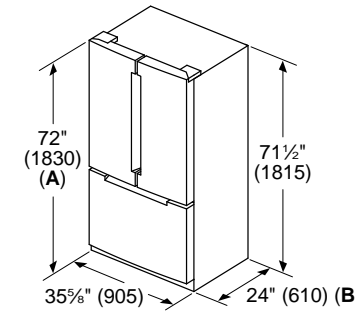
Measurements in inches (mm)



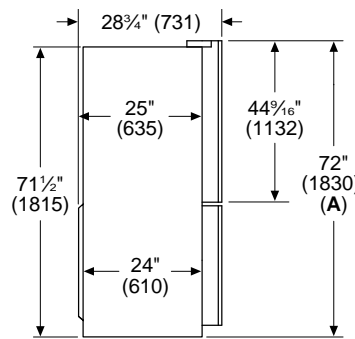
Drawers can be pulled out with door open to 90°
 Drawers can be taken out with door completely opened



B36CT81ENS Dimensions



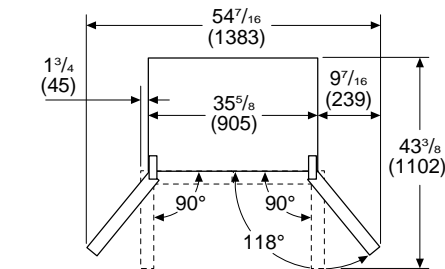
A: Add 5/8" (17) with front levelling feet fully extended
 B: Add 1" (25) for fixed spacers on back measurements in inches (mm)



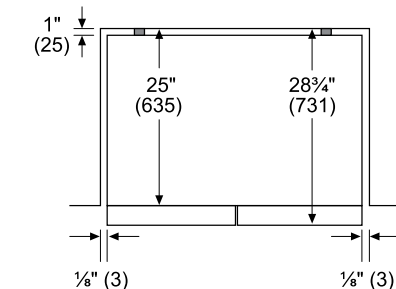
A: Add 5/8" (17) with front leveling feet fully extended
 measurements in inches (mm)

B36CT81ENS (Overhead Views)

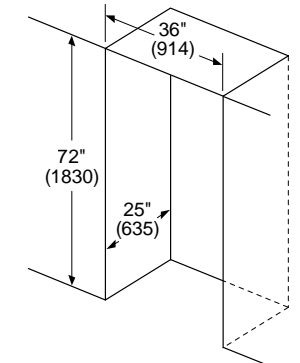
Measurements in inches (mm)



Drawers can be pulled out with door open to 90°
 Drawers can be taken out with door completely opened



36" Freestanding Installation



Leave 1/2" (12.7) gap at the top and 1" (25.4) behind the refrigerator for proper ventilation.

It is recommended that you do not install the refrigerator near a heat source such as a stove or a range.

Optional Accessories

- BORPLFTR55** UltraClarityPro® Replacement Water Filter
- FPETHRF50** Ethylene Filter Refill Kit
- FPETHKT50** Ethylene Filter Starter Kit
- 10012733** 90 Degree Door Stopper



800 Series 4-Door French Door Refrigerators



800 Series
B36CL80SNS (Bar Handles)
B36CL80ENS (Recessed Handles)
4-Door French Door

- Dual Compressor and Dual Evaporator
- Counter-Depth
- VitaFreshPro® Freshness Settings
- Interior Water Dispenser
- FlexBar® Flexible Storage Bar
- Home Connect®



800 Series 36" Counter-Depth

Stainless Steel with Bar Handles – B36CL80SNS
 Stainless Steel with Recessed Handles – B36CL80ENS

General Properties

| | |
|--|---------------------------------------|
| Full 72" height and true counter depth for built-in appearance | Yes |
| Easy Clean Stainless Steel | Yes |
| Lighting | Recessed LED light bars |
| Number of compressors / evaporators | 2 / 2 |
| Defrost process refrigerator / freezer section | Frost-free / automatic |
| Adjustable tempered glass shelves – refrigerator | 4 half-width |
| Flexible storage bar | FlexBar® |
| Full width temp. & humidity controlled drawer | VitaFreshPro® |
| Water dispenser, freezer ice maker, water filter | Yes (internal), yes, UltraClarityPro® |
| Humidity control compartments, gallon storage bins | 2, 2 |
| MultiAirFlow™ | Yes |
| AirFresh® filter, FreshProtect® ethylene filter | Yes, yes |
| Stainless steel back wall | Yes |
| Number of drawers – freezer | 3 |
| Home Connect® (Wi-Fi enabled) | Yes |

Capacity

| | |
|---------------------------------|--------------------|
| Total capacity | 20.5 cu. ft. |
| Refrigerator / freezer capacity | 14.5 / 6.0 cu. ft. |

Technical Details

| | |
|---------------------------|--------------------|
| Current, Volts, Frequency | 15 A, 115 V, 60 Hz |
| Power cord length | 67" |
| Plug type | 120V-3 prong |

Dimensions & Weight

| | |
|--|--|
| Appliance dimensions with hinges, handles and doors (HxWxD) | B36CL80SNS: 72"* x 35 5/8" x 31 1/8" B36CL80ENS: 72"* x 35 5/8" x 28 3/4" |
| Appliance dimensions without hinges and doors (HxWxD) | 71 1/2" x 35 5/8" x 24"*** |
| Appliance dimensions with hinges and doors, no handles (HxWxD) | 72"* x 35 5/8" x 28 3/4" |
| Required cutout size (HxWxD) | 72" x 36" x 25" |
| Net weight | 350 lbs |

Efficiency

| | |
|------------------------|------------|
| ENERGY STAR® certified | Yes |
| Energy consumption | 568 kWh/yr |

*When leveling legs are fully extended, add 5/8" to overall height, total 72 5/8".

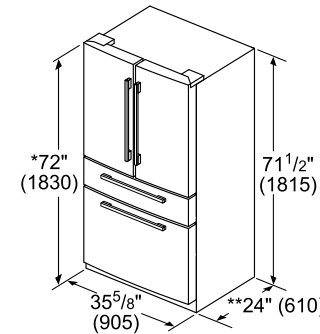
**The cutout depth of 25" includes the required 1" airflow. The electrical covers on the back of unit do not require additional depth.

Optional Accessories

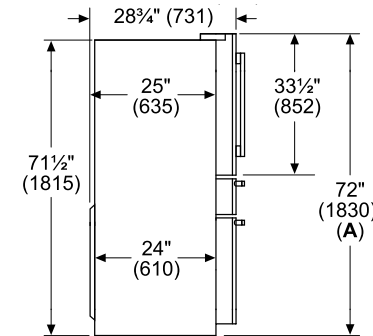
| | | | |
|--|--|---|---|
| BORPLFTR55 UltraClarityPro® Replacement Water Filter | FPETHRF50 Ethylene Filter Refill Kit | FPETHKT50 Ethylene Filter Starter Kit | 10012733 90 Degree Door Stopper |
|--|--|---|---|

800 Series 4-Door French Door Refrigerators

B36CL80SNS Dimensions

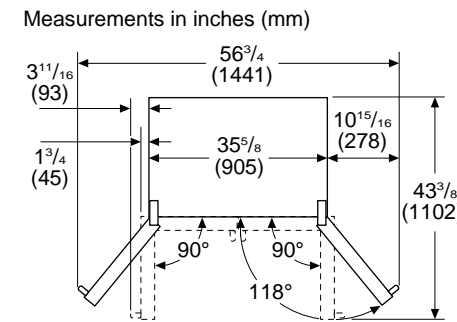


*Add 5/8" (17) with front levelling feet fully extended
 **Add 1" (25) for fixed spacers on back measurements in inches (mm)

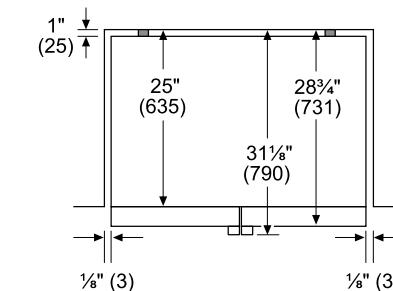


A: Add 5/8" (17) with front leveling feet fully extended
 Measurements in inches (mm)

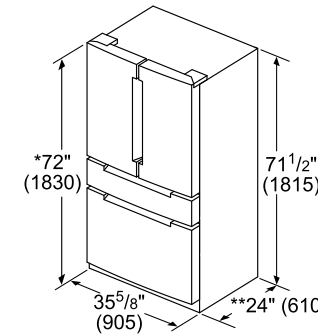
B36CL80SNS (Overhead Views)



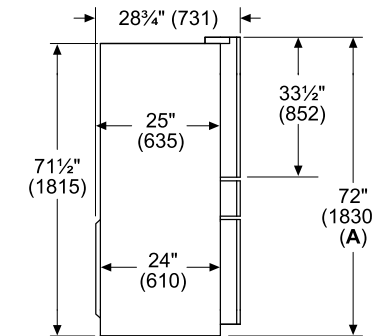
Drawers can be pulled out with door open to 90°
 Drawers can be taken out with door completely opened



B36CL80ENS Dimensions

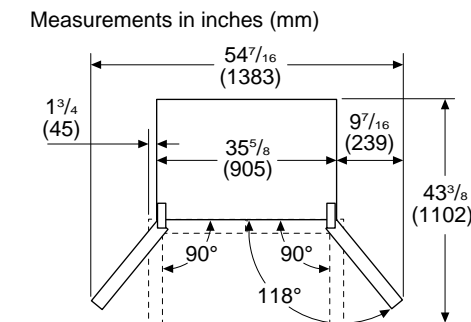


*Add 5/8" (17) with front leveling feet fully extended
 **Add 1" (25) for fixed spacers on back measurements in inches (mm)

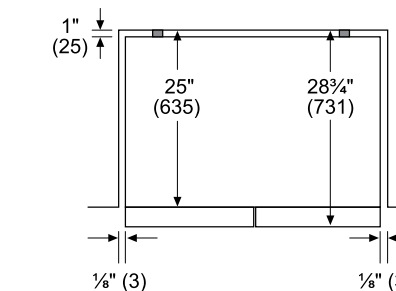


A: Add 5/8" (17) with front leveling feet fully extended
 Measurements in inches (mm)

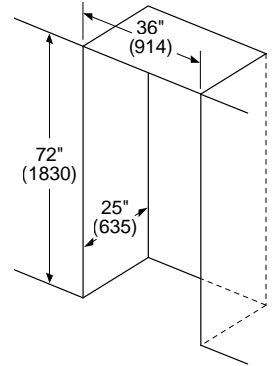
B36CL80ENS (Overhead Views)



Drawers can be pulled out with door open to 90°
 Drawers can be taken out with door completely opened



36" Freestanding Installation



Leave 1/2" (12.7) gap at the top and 1" (25.4) behind the refrigerator for proper ventilation.

It is recommended that you do not install the refrigerator near a heat source such as a stove or a range.

measurements in inches (mm)



800 Series 4-Door French Door Refrigerators



800 Series
B36CL81ENG (Glass over Stainless Steel with Recessed Handles)
B36CL81ENW (Arctic White with Recessed Handles)
4-Door French Door

- Counter-Depth
- + Refreshment Center Drawer with Pre-Programmed Settings
- Dual Compressor and Dual Evaporator
- + Stylish Tempered Glass Door
- Interior Water Dispenser
- FlexBar® Flexible Storage Bar
- Home Connect®



+ Indicates a step-up feature

800 Series 36" Counter-Depth

Glass over Stainless Steel with Recessed Handles – B36CL81ENG
 Arctic White with Recessed Handles – B36CL81ENW

General Properties

| | |
|--|---|
| Full 72" height and true counter depth for built-in appearance | Yes |
| Easy Clean Stainless Steel | Yes |
| Lighting | Recessed LED light bars |
| Number of compressors / evaporators | 2 / 2 |
| Defrost process refrigerator / freezer section | Frost-free / automatic |
| Adjustable tempered glass shelves – refrigerator | 4 half-width |
| Type of shelves – refrigerator | Frameless split shelves with metal trim |
| Flexible storage bar | FlexBar® |
| Gallon storage bins | 2 |
| Full width glass display drawer | 1 |
| Water dispenser, freezer ice maker, water filter | Yes (internal), yes, UltraClarityPro® |
| Touch control panel | Yes |
| MultiAirFlow™ | Yes |
| AirFresh® filter, FreshProtect® ethylene filter | Yes, no |
| Stainless steel back wall | Yes |
| Number of drawers – freezer | 3 |
| Home Connect® (Wi-Fi enabled) | Yes |

Capacity

| | |
|---------------------------------|----------------------------|
| Total capacity | 20.5 cu. ft. |
| Refrigerator / Freezer capacity | 14.5 cu. ft. / 6.0 cu. ft. |

Technical Details

| | |
|---------------------------|--------------------|
| Current, Volts, Frequency | 15 A, 115 V, 60 Hz |
| Power cord length | 67" |
| Plug type | 120V-3 prong |

Dimensions & Weight

| | |
|--|----------------------------|
| Appliance dimensions with hinges, handles and doors (HxWxD) | 72" x 35 5/8" x 29" |
| Appliance dimensions without hinges and doors (HxWxD) | 71 1/2" x 35 5/8" x 24"*** |
| Appliance dimensions with hinges and doors, no handles (HxWxD) | 72" x 35 5/8" x 29" |
| Required cutout size (HxWxD) | 72" x 36" x 25" |
| Net weight | 350 lbs |

Efficiency

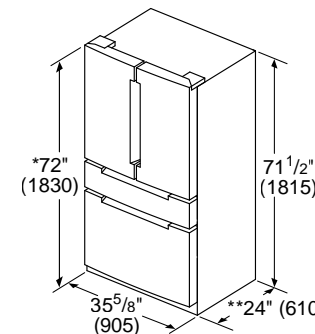
| | |
|------------------------|------------|
| ENERGY STAR® certified | Yes |
| Energy consumption | 568 kWh/yr |

*When leveling legs are fully extended, add 5/8" to overall height, total 72 5/8".

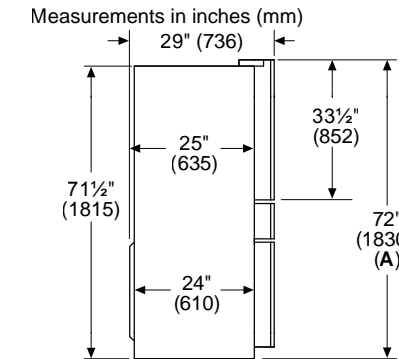
**The cutout depth of 25" includes the required 1" airflow. The electrical covers on the back of unit do not require additional depth.

800 Series 4-Door French Door Refrigerators

B36CL81ENG Dimensions

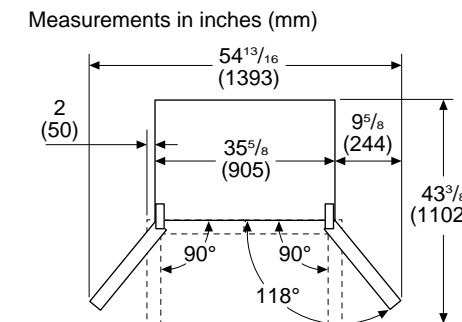


* Add 5/8" (17) with front leveling feet fully extended
 ** Add 1" (25) for fixed spacers on back measurements in inches (mm)

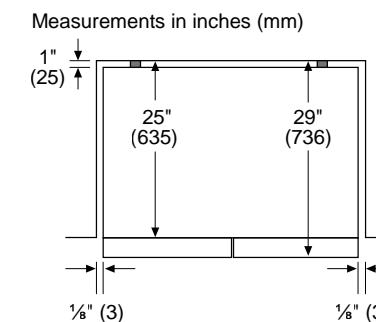


A: Add 5/8" (17) with front leveling feet fully extended

B36CL81ENG Dimensions (Overhead Views)

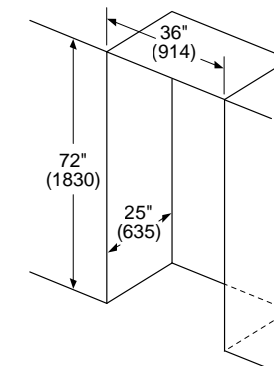


Drawers can be pulled out with door open to 90°
 Drawers can be taken out with door completely opened



B36CL81ENG Installation

measurements in inches (mm)



Leave 1/2" (12.7) gap at the top and 1" (25.4) behind the refrigerator for proper ventilation. It is recommended that you do not install the refrigerator near a heat source such as an oven or a range.

Optional Accessories

- BORPLFTR55** UltraClarityPro® Replacement Water Filter
- 10012733** 90 Degree Door Stopper



500 Series French Door Refrigerators



500 Series
B36FD50SNS (Stainless Steel)
B36FD50SNB (Black Stainless Steel)
French Door

- Standard-Depth
- QuickIce Pro System™
- UltraClarityPro® Water Filter
- Easy Clean Stainless Steel
- MultiAirFlow™ Cooling System
- Home Connect®



500 Series 36" Standard-Depth

Stainless Steel – B36FD50SNS
 Black Stainless Steel – B36FD50SNB

General Properties

| | |
|--|---|
| Full 69" height and standard depth for additional capacity | Yes |
| Easy Clean Stainless Steel | Yes |
| Lighting | Recessed LED light bars |
| Number of evaporators | 1 |
| Defrost process refrigerator section | Frost-free |
| Number of shelves – refrigerator | 5 |
| Adjustable tempered glass shelves – refrigerator | 4 half-width |
| Type of shelves – refrigerator | Frameless split shelves with chromed trim |
| Ice maker | Yes |
| Water filter | UltraClarityPro® |
| External water and ice dispenser | Yes |
| Gallon storage bins | 2 |
| Humidity control compartments | 2 |
| Full width drawer | 1 |
| Touch control panel | Yes |
| AirFresh® filter, MultiAirFlow™ | Yes, yes |
| Stainless steel back wall | Yes |
| Defrost process freezer section | Automatic |
| Number of drawers – freezer | 2 |
| Home Connect® (Wi-Fi enabled) | Yes |

Capacity

| | |
|---------------------------------|----------------------------|
| Total capacity | 26.0 cu. ft. |
| Refrigerator / Freezer capacity | 18.0 cu. ft. / 8.0 cu. ft. |

Technical Details

| | |
|---------------------------|--------------------|
| Current, Volts, Frequency | 15 A, 115 V, 60 Hz |
| Power cord length | 67" |
| Plug type | 120V-3 prong |

Dimensions & Weight

| | |
|--|-----------------------------|
| Appliance dimensions with hinges, handles and doors (HxWxD) | 70" x 35 5/8" x 35 7/16" |
| Appliance dimensions without hinges and doors (HxWxD) | 69 1/2" x 35 5/8" x 28 3/8" |
| Appliance dimensions with hinges and doors, no handles (HxWxD) | 70" x 35 5/8" x 33 1/8" |
| Required cutout size (HxWxD) | 70" x 36" x 29 5/16" |
| Net weight | 320 lbs |

Efficiency

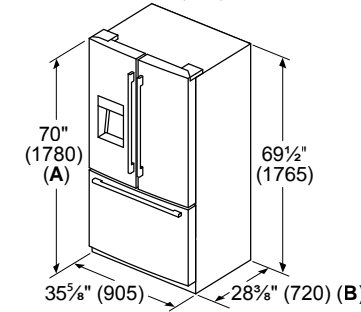
| | |
|------------------------|------------|
| ENERGY STAR® qualified | Yes |
| Energy consumption | 702 kWh/yr |

*When leveling legs are fully extended, add 5/8" to overall height, total 70 5/8".

500 Series French Door Refrigerators

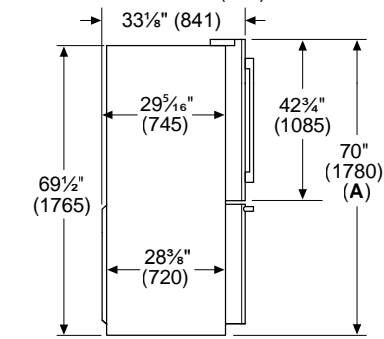
B36FD50SNS/B Dimensions

Measurements in inches (mm)



A: Add 5/8" (17) with front leveling feet fully extended
B: Add 1" (25) for fixed spacers on back

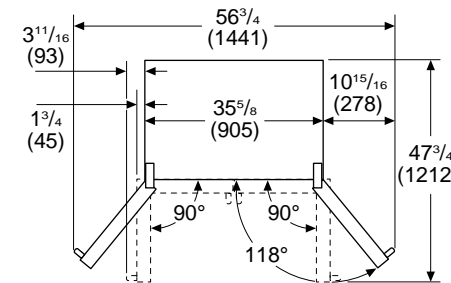
Measurements in inches (mm)



A: Add 5/8" (17) with front leveling feet fully extended

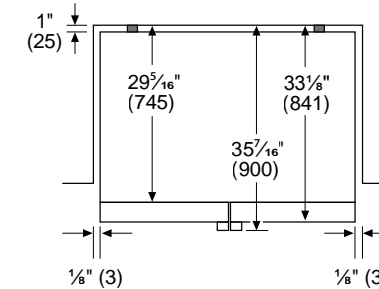
B36FD50SNS/B Dimensions (Overhead Views)

Measurements in inches (mm)

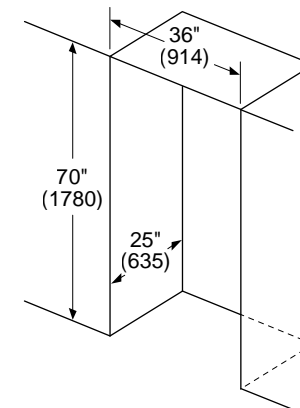


Drawers can be pulled out with door open to 90°
 Drawers can be taken out with door completely opened

measurements in inches (mm)



B36FD50SNS/B Installation



Leave 1/2" (12.7) gap at the top and 1" (25.4) behind the refrigerator for proper ventilation.

It is recommended that you do not install the refrigerator near a heat source such as a stove or a range.

measurements in inches (mm)

Optional Accessories

BORPLFTR55
 UltraClarityPro® Replacement Water Filter

10012733
 90 Degree Door Stopper



500 Series French Door Refrigerators



500 Series
B36CD50SNS (Stainless Steel)
B36CD50SNB (Black Stainless Steel)
French Door

- Counter-Depth
- QuickIce Pro System™
- UltraClarityPro® Water Filter
- Easy Clean Stainless Steel
- MultiAirFlow™ Cooling System
- Home Connect®



500 Series 36" Counter-Depth

Stainless Steel – B36CD50SNS
 Black Stainless Steel – B36CD50SNB

General Properties

| | |
|--|---|
| Full 69" height and true counter depth for built-in appearance | Yes |
| Easy Clean Stainless Steel | Yes |
| Lighting | Recessed LED light bars |
| Number of evaporators | 1 |
| Defrost process refrigerator section | Frost-free |
| Number of shelves – refrigerator | 5 |
| Adjustable tempered glass shelves – refrigerator | 4 half-width |
| Type of shelves – refrigerator | Frameless split shelves with chromed trim |
| Ice maker | Yes |
| Water filter | UltraClarityPro® |
| External water and ice dispenser | Yes |
| Gallon storage bins | 2 |
| Humidity control compartments | 2 |
| Full width drawer | 1 |
| Touch control panel | Yes |
| AirFresh® filter, MultiAirFlow™ | Yes, yes |
| Stainless steel back wall | Yes |
| Defrost process freezer section | Automatic |
| Number of drawers – freezer | 3 |
| Home Connect® (Wi-Fi enabled) | Yes |

Capacity

| | |
|---------------------------------|----------------------------|
| Total capacity | 21.6 cu. ft. |
| Refrigerator / Freezer capacity | 15.2 cu. ft. / 6.4 cu. ft. |

Technical Details

| | |
|---------------------------|--------------------|
| Current, Volts, Frequency | 15 A, 115 V, 60 Hz |
| Power cord length | 67" |
| Plug type | 120V-3 prong |

Dimensions & Weight

| | |
|--|----------------------------|
| Appliance dimensions with hinges, handles and doors (HxWxD) | 70" x 35 5/8" x 31 1/8" |
| Appliance dimensions without hinges and doors (HxWxD) | 69 1/2" x 35 5/8" x 24"*** |
| Appliance dimensions with hinges and doors, no handles (HxWxD) | 70" x 35 5/8" x 28 3/4" |
| Required cutout size (HxWxD) | 70" x 36" x 25" |
| Net weight | 350 lbs |

Efficiency

| | |
|------------------------|------------|
| ENERGY STAR® certified | Yes |
| Energy consumption | 656 kWh/yr |

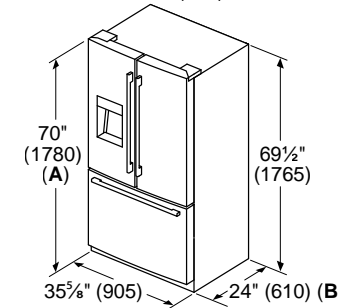
*When leveling legs are fully extended, add 5/8" to overall height, total 70 5/8".

**The cutout depth of 25" includes the required 1" airflow. The electrical covers on the back of unit do not require additional depth.

500 Series French Door Refrigerators

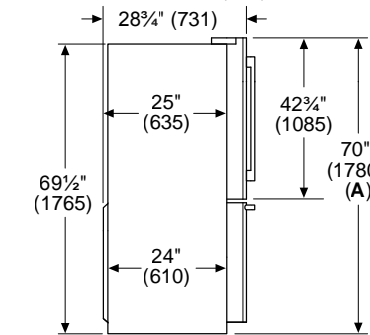
B36CD50SNS/B Dimensions

Measurements in inches (mm)



A: Add 5/8" (17) with front leveling feet fully extended
B: Add 1" (25) for fixed spacers on back

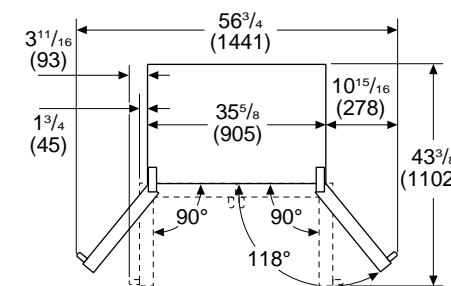
Measurements in inches (mm)



A: Add 5/8" (17) with front leveling feet fully extended

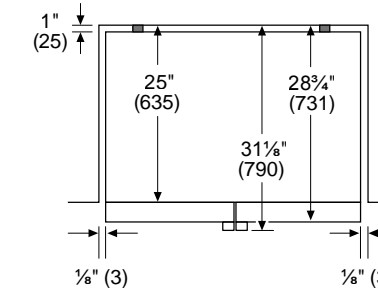
B36CD50SNS/B Dimensions (Overhead Views)

Measurements in inches (mm)



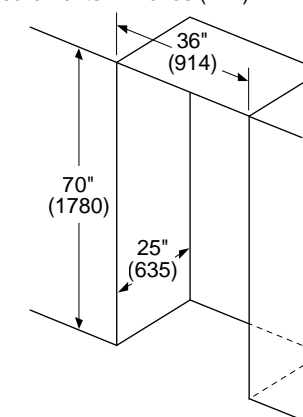
Drawers can be pulled out with door open to 90°
 Drawers can be taken out with door completely opened

Measurements in inches (mm)



B36CD50SNS/B Installation

measurements in inches (mm)



Leave 1/2" (12.7) gap at the top and 1" (25.4) behind the refrigerator for proper ventilation. It is recommended that you do not install the refrigerator near a heat source such as an oven or a range.

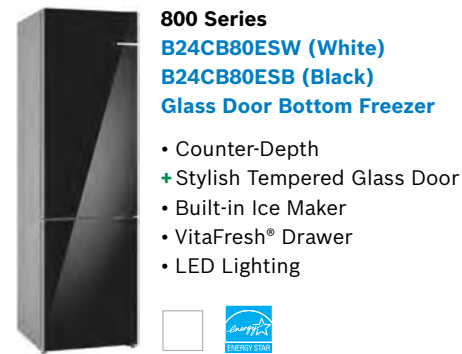
Optional Accessories

BORPLFTR55
 UltraClarityPro® Replacement Water Filter

10012733
 90 Degree Door Stopper



800 / 500 Series 24" Bottom Freezer Refrigerators



- 800 Series**
B24CB80ESW (White)
B24CB80ESB (Black)
Glass Door Bottom Freezer
- Counter-Depth
 - + Stylish Tempered Glass Door
 - Built-in Ice Maker
 - VitaFresh® Drawer
 - LED Lighting



- 800 Series**
B24CB80ESS
Bottom Freezer
- Counter-Depth
 - + Built-in Ice Maker
 - VitaFresh® Drawer
 - LED Lighting
 - Easy Clean Stainless Steel



- 500 Series**
B24CB50ESS
Bottom Freezer
- Counter-Depth
 - VitaFresh® Drawer
 - LED Lighting
 - Easy Clean Stainless Steel

+ Indicates a step-up feature

| | 800 Series 24" Counter-Depth | 800 Series 24" Counter-Depth | 500 Series 24" Counter-Depth |
|--|--|------------------------------|------------------------------|
| | White Glass – B24CB80ESW Black Glass – B24CB80ESB | Stainless Steel – B24CB80ESS | Stainless Steel – B24CB50ESS |

General Properties

| | | | |
|--|------------|------------|------------|
| Reversible door hinge | Yes | Yes | Yes |
| Easy Clean Stainless Steel | Yes | Yes | Yes |
| Water filter | Yes | Yes | No |
| Lighting | LED | LED | LED |
| Defrost process refrigerator section | Frost-free | Frost-free | Frost-free |
| Adjustable Tempered glass shelves – refrigerator | 3 | 3 | 3 |
| Door storage bins | 7 | 7 | 7 |
| Humidity control drawer | 1 | 1 | 1 |
| Defrost process freezer section | Automatic | Automatic | Automatic |
| Number of drawers – freezer | 3 | 3 | 3 |
| Ice maker | Yes | Yes | No |
| Pyramid Ice | Yes | Yes | No |
| Ice Capacity | 5.2 lbs.** | 5.2 lbs.** | N/A |
| MultiAirFlow™ | Yes | Yes | Yes |
| Home Connect® (Wi-Fi enabled) | Yes | Yes | No |

Capacity

| | | | |
|----------------------------|--------------|--------------|--------------|
| Total unit capacity – AHAM | 12.8 cu. ft. | 12.8 cu. ft. | 12.8 cu. ft. |
| Refrigerator capacity | 9.2 cu. ft. | 9.2 cu. ft. | 9.2 cu. ft. |
| Freezer capacity | 3.6 cu. ft. | 3.6 cu. ft. | 3.6 cu. ft. |

Technical Details

| | | | |
|-------------------|--------------|--------------|--------------|
| Current | 10 A | 10 A | 10 A |
| Volts | 110 – 120 V | 110 – 120 V | 110 – 120 V |
| Frequency | 60 Hz | 60 Hz | 60 Hz |
| Power cord length | 94" | 94" | 94" |
| Plug type | 120V-3 prong | 120V-3 prong | 120V-3 prong |

Dimensions & Weight

| | | | |
|-------------------------------|--------------------------------|--------------------------------|--------------------------------|
| Appliance dimensions (HxWxD) | 79 15/16" x 23 5/8" x 26 3/16" | 79 15/16" x 23 5/8" x 26 3/16" | 79 15/16" x 23 5/8" x 26 3/16" |
| Required cutout size (HxWxD)* | 80 7/16" x 24" x 24" | 80 7/16" x 24" x 24" | 80 7/16" x 24" x 24" |
| Net weight | 188.49 lbs | 165.34 lbs | 160.93 lbs |

Efficiency

| | | | |
|------------------------|------------|------------|------------|
| ENERGY STAR® certified | Yes | Yes | Yes |
| Energy consumption | 490 kWh/yr | 490 kWh/yr | 406 kWh/yr |

Accessories – Included

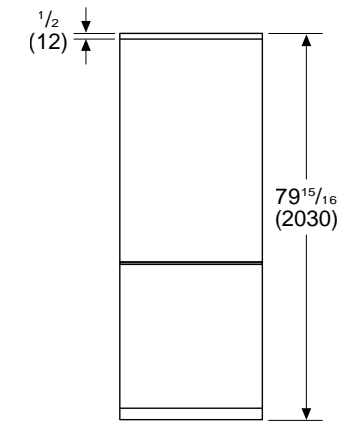
| | | | |
|----------|---|---|-----------------|
| Included | – | – | 1 ice cube tray |
|----------|---|---|-----------------|

*Add 3/4" (1.9 cm) to the height dimension when leveling legs are fully extended

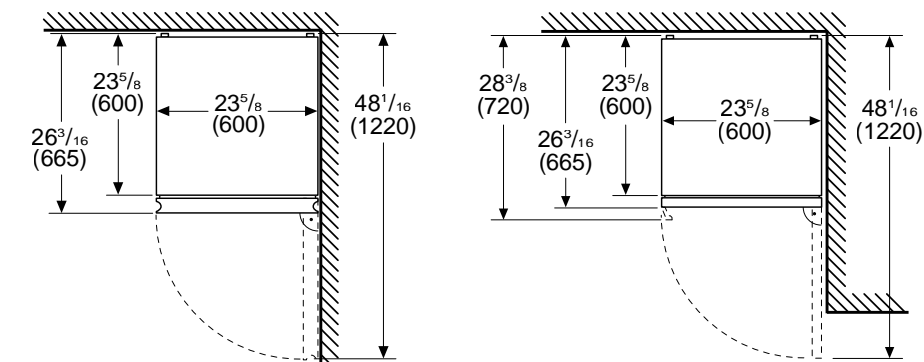
**2.6 lbs of ice storage per bin. Both bins must be used for ice storage to obtain maximum capacity of 5.2 lbs.

800 / 500 Series 24" Bottom Freezer Refrigerators

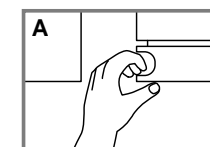
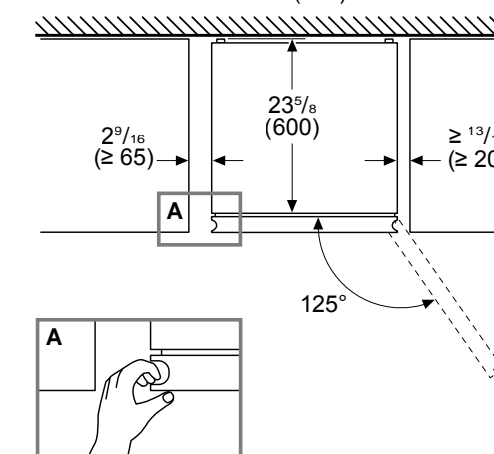
Dimensions



Installation (Overhead Views)



Measurements in inches (mm)



Optional Accessories

BORPLFTR55
 UltraClarityPro® Replacement Water Filter



800 Series 22" Built-in Bottom Freezer Refrigerator



800 Series
B09IB91NSP
Built-in Custom Panel Bottom Freezer with Home Connect®

- + Home Connect®
- Custom Panel Ready
- Installs Completely Flush
- Recessed LED lighting
- + VitaFreshPro® Drawer



+ Indicates a step-up feature

800 Series 22" with Home Connect®

Custom Panel – B09IB91NSP

General Properties

| | |
|--|--------------------------------|
| Reversible door hinge | Yes |
| Water filter | No |
| Lighting | Recessed LED lighting |
| Defrost process refrigerator section | Frost-free |
| Number of shelves – refrigerator | 3 |
| Adjustable shelves – refrigerator | 2 |
| Shelf material – refrigerator | Tempered glass with metal trim |
| Type of shelves – refrigerator | Full-width |
| Gallon storage bins | No |
| Humidity and temperature controlled drawer | VitaFreshPro® |
| Defrost process freezer section | Automatic |
| Number of drawers – freezer | 3 |
| Ice packs | 2 |
| MultiAirFlow™ | Yes |
| Home Connect® (Wi-Fi enabled) | Yes |
| Small item railing | Yes, in the door bin |
| Soft close capability | Yes |

Capacity

| | |
|----------------|-------------|
| Total capacity | 8.3 cu. ft. |
|----------------|-------------|

Technical Details

| | |
|-------------------|---------|
| Current | 10 A |
| Volts | 120 V |
| Frequency | 60 Hz |
| Power cord length | 90.5" |
| Plug type | 3-Prong |

Dimensions & Weight

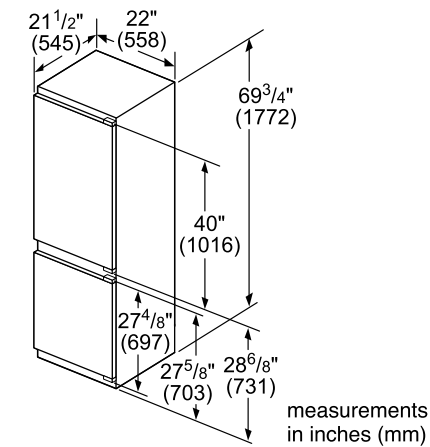
| | |
|------------------------------|---------------------------|
| Appliance dimensions (HxWxD) | 69 3/4" x 22" x 21 1/2" |
| Required cutout size (HxWxD) | 70" x 22 1/16" x 22 1/16" |
| Net weight | 145 lbs |

Efficiency

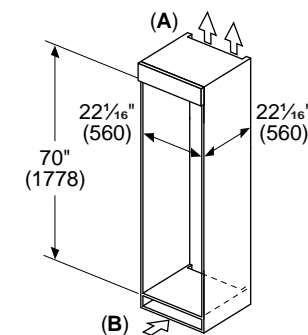
| | |
|------------------------|------------|
| ENERGY STAR® certified | Yes |
| Energy consumption | 388 kWh/yr |

800 Series 22" Built-in Bottom Freezer Refrigerator

B09IB91NSP Dimensions

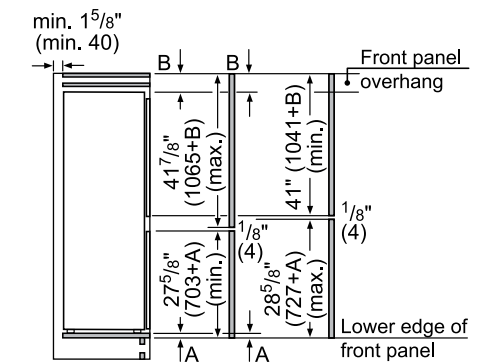


B09IB91NSP Installation



- A: Air outlet ≥ 31"² (≥ 200 cm²)
- B: Ventilation space in the base ≥ 31"² (≥ 200 cm²)

measurements in inches (mm)



The specified unit door dimensions are valid for a door gap of 1/8" (4 mm).
 measurements in inches (mm)

Recommended Gap Dimensions for Flat Hinges

| | | | |
|-------|----------|----------|----------|
| | F | R | X |
| 16-19 | 0-3 | 2.5 | |
| | 20 | 0-1 | 3 |
| 21 | 2-3 | 2.5 | |
| | 21 | 0-1 | 3 |
| 22 | 2-3 | 2.5 | |
| | 22 | 0 | 4 |
| | 22 | 1 | 3.5 |
| | 2-3 | 3 | |

The gap dimensions recommended in the table must be maintained to guarantee collision-free opening of appliance doors and avoid damage to kitchen furniture.

Measurements in mm

IMPORTANT: Handleless Panels should not be installed on units without the soft close capability. If you are uncertain if you have a refrigeration unit with soft close capability please contact our customer team by calling 1-800-944-2904.








Experience Bosch.

Bosch appliances are built with precision engineering and invented for life. Whether you would like to research our products, get inspired with kitchen design ideas, or have questions on the use and care of your product, simply browse our online resource library at bosch-home.com/us.

Connect with us

Visit us to get inspired and share photos of your new kitchen.

-  [instagram.com/boschhomeus](https://www.instagram.com/boschhomeus)
-  [facebook.com/boschappliances](https://www.facebook.com/boschappliances)
-  [youtube.com/boschhome](https://www.youtube.com/boschhome)
-  twitter.com/boschhomeus
-  [pinterest.com/boschhomeus](https://www.pinterest.com/boschhomeus)

Come visit us at any of our beautiful showroom locations:

Irvine

17911 Von Karman, Suite 100
Irvine, CA 92614
949-224-4700

Chicago

222 Merchandise Mart, Suite 108
Chicago, IL 60654
312-832-3200

New York

150 East 58th Street, Suite 700
New York, NY 10155
888-455-8892 or 917-853-9907

Miami

112 NE 41st Street, Suite 700
Miami, FL 33137
305-842-2904

Get complete details at

bosch-home.com/us/experience-bosch/showrooms



Service you can trust.

Please don't hesitate to contact us if you have questions on our product line, need advice about use and care, or would like to purchase accessories. We are ready to assist you.

Bosch Customer Support

Contact us for cleaning & care tips, usage instructions, and more. We're here to help.

- > Appliance advice
- > Troubleshooting assistance
- > Service visit/repair scheduling
- > Home Connect® set-up
- > Cleaners, accessories & parts
- > Bosch appliance service plan

1-800-944-2904

Call center access for U.S. & Canada

www.bosch-home.com/us/owner-support

Website

- > How-to videos
- > Frequently asked questions
- > Filters, accessories, and parts
- > Owner manuals
- > Product registration
- > Find a Bosch authorized servicer

Bosch Home Appliances US:

www.bosch-home.com/us

Bosch Home Appliances Canada:

www.bosch-home.ca

Bosch Information Portal for Best Buy Associates

- > Chat with a knowledgeable representative
- > Get answers to all of your Bosch appliance questions
- > Obtain product information and installation details
- > Find design inspiration and selling tools
- > Stay updated with training resources

<https://askboschbestbuy.com>



Warranty

- > Lifetime stainless steel rust-through warranty for dishwashers and refrigerators
- > One-year limited warranty on all Bosch appliances
- > See page 266 for additional warranty information

Important Note: Please refer to installation instructions prior to making cutout. BSH reserves the absolute and unrestricted right to change product materials and specifications, at any time, without notice. Consult the product's installation instructions for final dimensional data and other details. Applicable product warranty can be found in accompanying product literature or you may contact your account manager for further details. For more information on our entire line of products, go to www.bosch-home.com/us (Canada residents go to www.bosch-home.ca) or call 1-800-944-2904.



Warranty

Cooktops & Rangetops

Limited warranty, entire appliance, parts and labor (1 year)

Ovens

Limited warranty, entire appliance, parts and labor (1 year)

Microwaves

Limited warranty, entire appliance, parts and labor (1 year)

Built-in Coffee Machine

Limited warranty, entire appliance, parts and labor (1 year)

Ranges

Limited warranty, entire appliance, parts and labor (1 year)

Ventilation

Limited warranty, entire appliance, parts and labor (1 year)

Dishwashers

Limited warranty, entire appliance, parts and labor (1 year)

Limited warranty for microprocessor or printed circuit board; parts only (2nd to 5th year)

Limited warranty for racks (does not include rack components); parts only (2nd to 5th year)

Limited warranty for rust-through on inner tub liner; parts only (lifetime)

Refrigerators

Limited warranty, entire appliance, parts and labor (1 year)

Limited warranty for non-electronic components; parts only (1st to 2nd year)

Limited warranty for electronic components; parts only (2nd to 5th year)

Limited warranty for rust-through on stainless steel; parts only (lifetime)

Warranty Note: Bosch warrants that the Product is free from defects in materials and workmanship for a period of three hundred and sixty-five (365) days from the date of purchase. The foregoing timeline begins to run upon the date of purchase, and shall not be stalled, tolled, extended, or suspended, for any reason whatsoever. This Product is also warranted to be free from cosmetic defects in material and workmanship (such as scratches of stainless steel, paint/porcelain blemishes, chips, dents, or other damage to the finish of the Product, for a period of thirty (30) days from the date of purchase or closing date for new construction. This cosmetic warranty excludes slight color variations due to inherent differences in painted and porcelain parts, as well as differences caused by kitchen lighting, product location, or other similar factors. This cosmetic warranty specifically excludes any display, floor, "As Is", or "B" stock appliances.



Bosch Home Appliances
1901 Main Street, Suite 600
Irvine, CA 92614
1-800-944-2904

www.bosch-home.com/us (U.S.)

www.bosch-home.ca (Canada)

BSH reserves the absolute and unrestricted right to change product materials and specifications, at any time, without notice. Consult the product's installation instructions for final dimensional data and other details. Applicable product warranty can be found in accompanying product literature or you may contact your account manager for further details.

©2024 BSH Home Appliances Corporation.

All rights reserved. Bosch is a registered trademark of Robert Bosch GmbH.