

# 24" Built-in Microwave Oven, Side Swing Door



300 Series – Stainless Steel HMB30155UC



**HMB30155UC**  
(Shown with  
30" Trim Kit HMT5055)  
Stainless Steel

**Bosch built-in microwave with trim kit that is compatible to accommodate either 27" or 30" width products.**

## Features & Benefits

Innovative sensor cooking offers consistent performance.

1,000 watts of microwave power and 10 microwave power levels.

Sensor cooking programs measure humidity and adjust cooking level and time.

Built-in microwave is the perfect companion for any Bosch wall oven.

## General Properties

Cooking modes	Sensor cook: sensor, frozen dinner, vegetables; reheat pizza, defrost, soften, popcorn, vegetable, potato, frozen entrée
Cavity color	White
Interior light	1
Kitchen timer	Yes
Max. microwave power	1,000 W

## Capacity

Cavity capacity	2.1 cu. ft.
Turntable diameter	16 1/2"

## Technical Details

Watts	1,500 W
Circuit breaker	20 A
Volts	120 V
Frequency	60 Hz
Power plug (BSH requirements)	41" min length; NEMA 5-15P



## Dimensions & Weight

Overall appliance dimensions (HxWxD)	13 5/8" X 24 3/8" x 19 11/16"
27" Trim Kit required cutout size (HxWxD)	19 7/8" x 25 7/16" x 23"
30" Trim Kit required cutout size (HxWxD)	19 7/8" x 28 7/16" x 23"
Overall oven interior dimensions (HxWxD)	15" x 28 7/16" x 17 11/16"
Usable oven interior dimensions (HxWxD)	15" x 28 11/32" x 17 11/16"
Net weight	43 Lbs.

## Accessories – Included

1 Ceramic Glass Tray, 1 Roller Ring

## Accessories – Required



**HMT5055**  
30" Trim Kit



**HMT5755**  
27" Trim Kit

A trim kit must be purchased together with the microwave.



HMB30155UC with 30" trim kit HMT5055



HMB30155UC with 27" trim kit HMT5755

**Accessories:** To purchase Bosch accessories, cleaners & parts please visit [www.bosch-home.com/us/store](http://www.bosch-home.com/us/store) or call 1-800-944-2904 (Mon to Fri 5 am to 6 pm PST, Sat 6 am to 3 pm PST).

**Notes:** All height, width and depth dimensions are shown in inches. BSH reserves the absolute and unrestricted right to change product materials and specifications, at any time, without notice. Consult the product's installation instructions for final dimensional data and other details prior to making cutout.

**Warranties:** Please see Use & Care manual or Bosch website for statement of limited warranty.

**For more information on our entire line of products, go to [www.bosch-home.com/us](http://www.bosch-home.com/us) or call 1-800-944-2904**

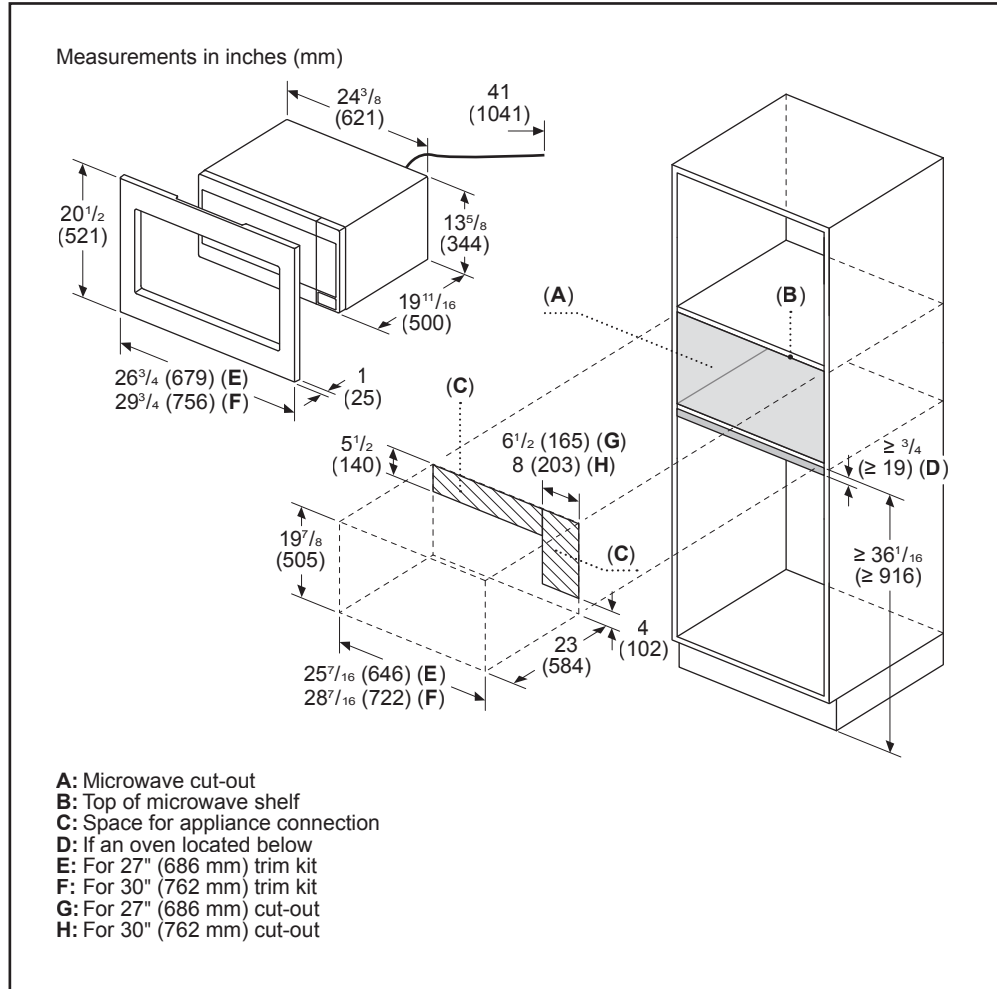
© BSH Home Appliances Corporation. All rights reserved. Bosch is a registered trademark of Robert Bosch GmbH.

# 24" Built-in Microwave Oven, Side Swing Door



300 Series – Stainless Steel HMB30155UC

## Installation Details



**Accessories:** To purchase Bosch accessories, cleaners & parts please visit [www.bosch-home.com/us/store](http://www.bosch-home.com/us/store) or call 1-800-944-2904 (Mon to Fri 5 am to 6 pm PST, Sat 6 am to 3 pm PST).

**Notes:** All height, width and depth dimensions are shown in inches. BSH reserves the absolute and unrestricted right to change product materials and specifications, at any time, without notice. Consult the product's installation instructions for final dimensional data and other details prior to making cutout.

**Warranties:** Please see Use & Care manual or Bosch website for statement of limited warranty.

**For more information on our entire line of products, go to [www.bosch-home.com/us](http://www.bosch-home.com/us) or call 1-800-944-2904**

© BSH Home Appliances Corporation. All rights reserved. Bosch is a registered trademark of Robert Bosch GmbH.