

30" Drawer Microwave



800 Series – Stainless Steel HMD8054UC



HMD8054UC
Stainless Steel

The 30" drawer microwave opens and closes automatically with the push of a button, and can be installed flush to cabinet.

Features & Benefits

Easy-to-read tilt out display disappears until you need it.

Convenient automatic sensor programs simplify cooking for great results every time.

Low profile design with touch "open" and "close".

Enough room to fit a 4 qt. casserole dish.

Install under a counter or in a wall cabinet.

White touch control LCD matches Bosch wall ovens.

Download the Home Connect® app to remotely monitor and control your Bosch drawer microwave with your smart phone or tablet.

General Properties

Cavity material White

Max. microwave power 950 W

Capacity

Cavity capacity 1.2 cu. ft.

Technical Details

Watts 1,500 W

Circuit breaker 15 A

Volts 120 V

Frequency 60 Hz

Power cord length 48"

Plug type 120V-3 prong

Dimensions & Weight

Overall appliance dimensions (HxWxD) 16 5/16" x 30" x 23 3/8"

Required cutout size – standard (HxWxD) 15 9/16" x 28 1/4" x 23 1/2"

Required cutout size – flush (HxWxD) 16 5/8" x 30 5/16" x 23 1/2"

Net weight 79 lbs

 HomeConnect



† To be fully ADA compliant, these units must be installed according to ADA guidelines. Please check current ADA requirements for guidance on installation.

Accessories: To purchase Bosch accessories, cleaners & parts please visit www.bosch-home.com/us/store or call 1-800-944-2904 (Mon to Fri 5 am to 6 pm PST, Sat 6 am to 3 pm PST).

Notes: All height, width and depth dimensions are shown in inches. BSH reserves the absolute and unrestricted right to change product materials and specifications, at any time, without notice. Consult the product's installation instructions for final dimensional data and other details prior to making cutout.

Warranties: Please see Use & Care manual or Bosch website for statement of limited warranty.

For more information on our entire line of products, go to www.bosch-home.com/us or call 1-800-944-2904

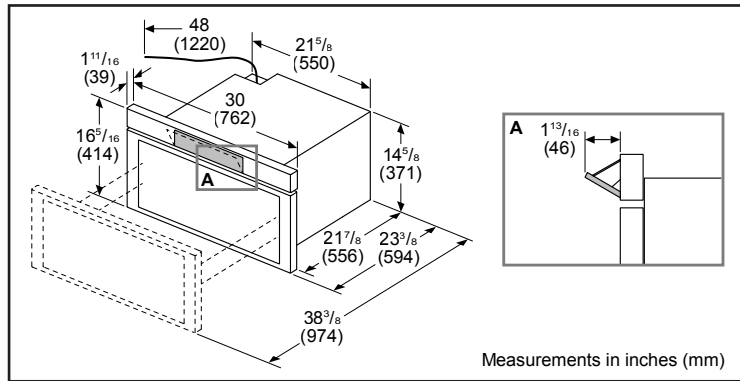
© BSH Home Appliances Corporation. All rights reserved. Bosch is a registered trademark of Robert Bosch GmbH.

30" Drawer Microwave

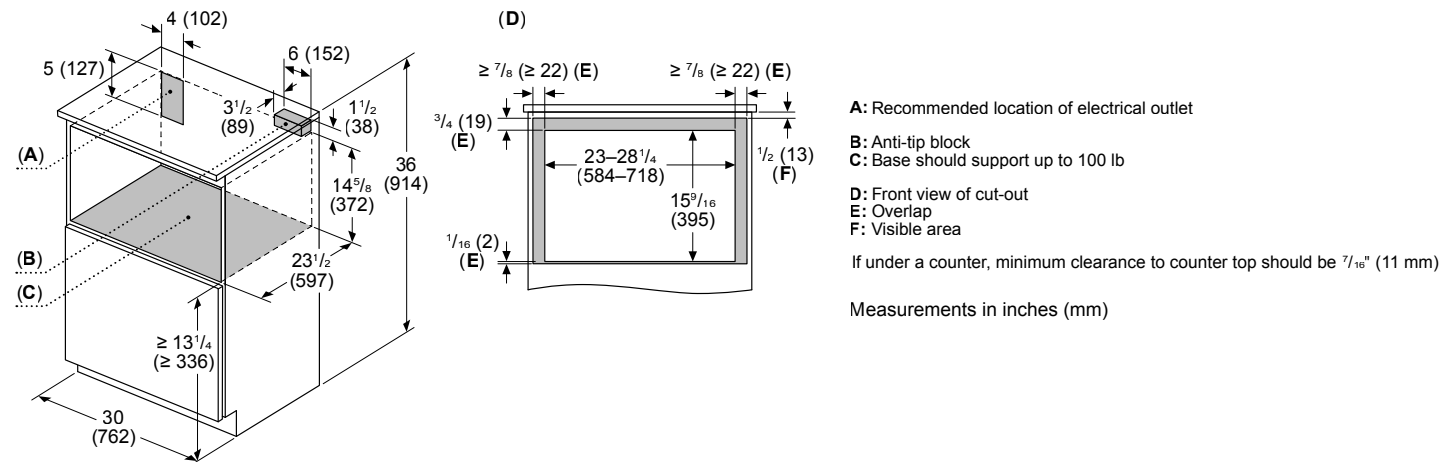


800 Series – Stainless Steel HMD8054UC

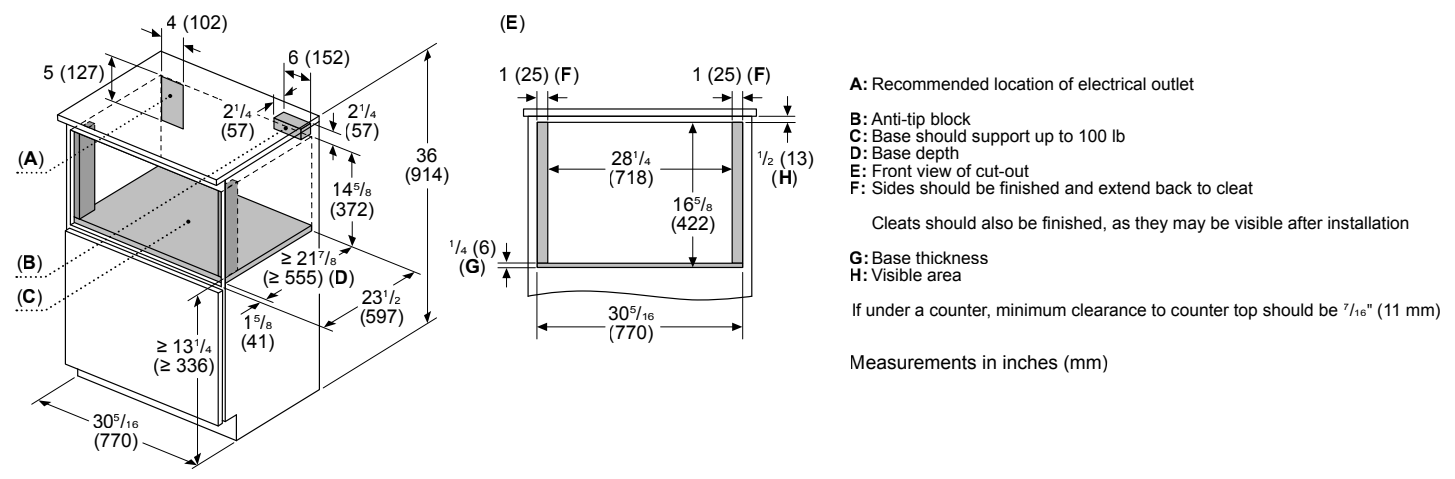
Installation Details



STANDARD INSTALLATION DIMENSIONS & CLEARANCES



FLUSH INSTALLATION DIMENSIONS & CLEARANCES



Accessories: To purchase Bosch accessories, cleaners & parts please visit www.bosch-home.com/us/store or call 1-800-944-2904 (Mon to Fri 5 am to 6 pm PST, Sat 6 am to 3 pm PST).

Notes: All height, width and depth dimensions are shown in inches. BSH reserves the absolute and unrestricted right to change product materials and specifications, at any time, without notice. Consult the product's installation instructions for final dimensional data and other details prior to making cutout.

Warranties: Please see Use & Care manual or Bosch website for statement of limited warranty.

For more information on our entire line of products, go to www.bosch-home.com/us or call 1-800-944-2904

© BSH Home Appliances Corporation. All rights reserved. Bosch is a registered trademark of Robert Bosch GmbH.