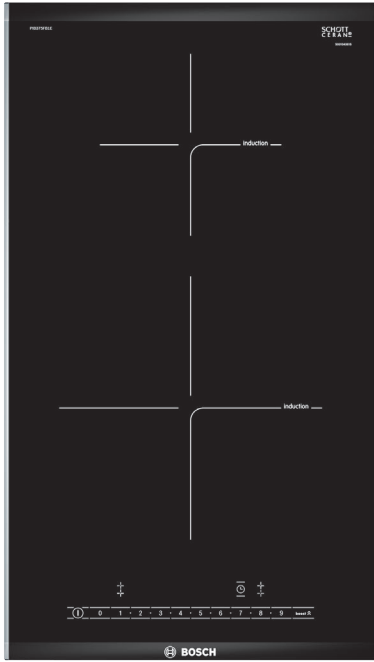
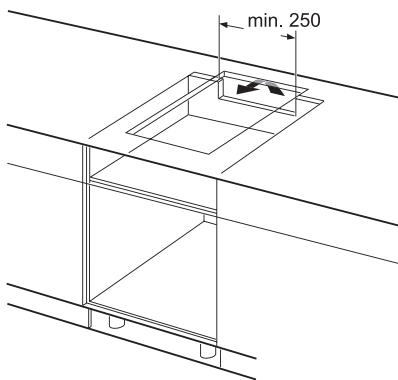


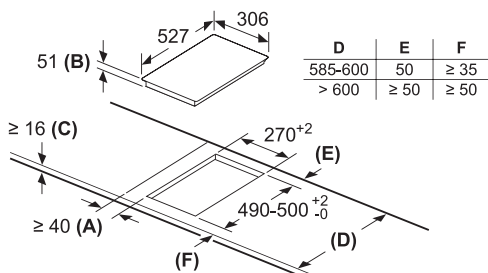
Invented for life



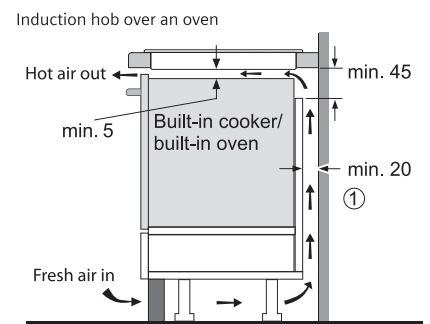
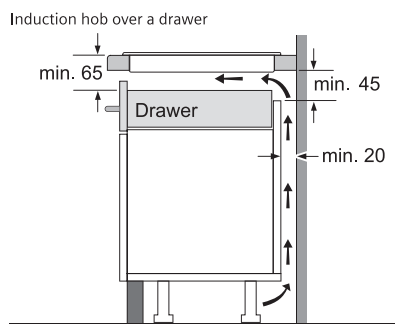
<b>PIB375FB1E</b> <b>Domino 2-zone Induction Hob</b>		<b>\$18,400</b>												
<b>Performance</b>	<ul style="list-style-type: none"> <li>• 2 induction cooking zones</li> <li>• 17 stages of power setting</li> <li>• DirectSelect touch control</li> </ul>													
<b>Functions</b>	<ul style="list-style-type: none"> <li>• QuickStart</li> <li>• ReStart</li> </ul>													
<b>Features</b>	<ul style="list-style-type: none"> <li>• PowerBoost: Up to 50% more power for faster heating</li> <li>• Energy consumption display</li> <li>• Count-down timer for each zone</li> <li>• Kitchen timer</li> <li>• Count-up timer for each zone</li> </ul>													
<b>Design</b>	<ul style="list-style-type: none"> <li>• SCHOTT CERAN® ceramic glass</li> <li>• ComfortProfil: Beveled front and rear with side profiles</li> <li>• Can be combined with all hobs in comfort design</li> </ul>													
<b>Safety functions</b>	<ul style="list-style-type: none"> <li>• Digital 2-stage residual heat indicator for each zone</li> <li>• Main switch</li> <li>• Safety switch-off</li> <li>• Small cookware detection</li> <li>• Anti overflow protection</li> <li>• Childproof lock</li> </ul>													
<b>Technical information</b>	<ul style="list-style-type: none"> <li>• Cooking zone output</li> </ul> <table border="1" style="width: 100%; border-collapse: collapse;"> <thead> <tr> <th>Zone</th> <th>Output (kW)</th> <th>Output without booster (kW)</th> <th>Dimensions (mm)</th> </tr> </thead> <tbody> <tr> <td>Front</td> <td>3.7</td> <td>2.2</td> <td>210</td> </tr> <tr> <td>Rear</td> <td>2.2</td> <td>1.4</td> <td>145</td> </tr> </tbody> </table> <p style="text-align: right; font-size: small;">*Nominal connected load: 3.6kW</p> <ul style="list-style-type: none"> <li>• Total connected load: 3.7kW* (220V/20A single phase connection)</li> <li>• Dimensions: <ul style="list-style-type: none"> <li>- Appliance (H x W x D): 51* x 306 x 527 mm *excl. glass thickness</li> <li>- Cut out (W x D): 270 x 490-500 mm</li> </ul> </li> </ul>		Zone	Output (kW)	Output without booster (kW)	Dimensions (mm)	Front	3.7	2.2	210	Rear	2.2	1.4	145
Zone	Output (kW)	Output without booster (kW)	Dimensions (mm)											
Front	3.7	2.2	210											
Rear	2.2	1.4	145											
<b>Optional accessory</b>	<ul style="list-style-type: none"> <li>• Connection strip (HEZ394301)</li> </ul>													
<b>Country of origin</b>	<ul style="list-style-type: none"> <li>• Spain</li> </ul>													



\*Indent Order



**A:** Minimum distance from the hob cut-out to the wall.  
**B:** Recessed depth.  
**C:** The clearance between the surface of the worktop and the top of the front of the oven must be 30 mm. See space requirements for the oven.



① Ventilation gap must be present

Measurements in mm