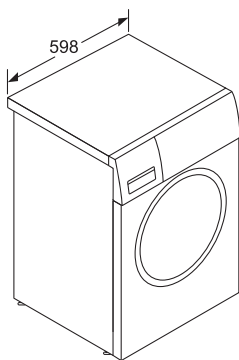
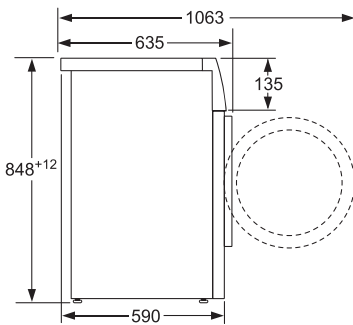


Invented for life



BOSCH



WNG25401HK Front loading washer dryer		\$11,400
Design & Features	<ul style="list-style-type: none"> • Series 6 • Air Wash+: non-washing and all natural treatment, achieve 99.99% virus, 99.9% bacteria[^] and odor removal without any disinfectant (Supported by Dry Hygiene program) • Drum Care Auto Clean program: clean and dry the drum with 99.99% bacteria and mildew removal[†] • Hygiene Care option: ultimate hygienic clean natural laundry solution, 99.99% bacteria[†] removal at low temperature wash • Electronic control dials and Large LED-Display for programs status indication, remaining time, temperature, spin speed, additional options and 24 hours end time delay • LED Drum interior light 	
Programmes & additional options	<ul style="list-style-type: none"> • Programs: Cottons, Cottons Eco, Mix, AllergyPlus, My Time, Spin/Drain, Delicates/Silk, Auto Dry, Dry Hygiene, Shirts, Wash & Dry 60', Wool, Rinse, Drum Care • Options: Wash/Dry/Wash + Dry selection, Temperature selection, Spin speed selection, Anti-Stain (Blood/Butter/Sand/Sweat), Rinse, Hygiene Care, Finish In time selection/My Time, SpeedPerfect, Start/Reload 	
Technology	<ul style="list-style-type: none"> • AutoDry: Dry the laundry gently until the desired drying level is reached • EcoSilence Drive™: Extremely energy-efficient and silent in operation with long lifetime guaranteed for 10 years • AntiVibration™ design: More stability, less vibration • Super suspension system: 3 suspension axles • VarioDrum: Comfort, spacious, gentle on fabrics, tough on stains • ActiveWater™ Plus and Flow sensor: Optimization of water Consumption • Jetsystem™: SelfCleaning detergent drawer • 3D AquaSpa wash system: Fast water penetration • Buzzer to indicate the end of cycle 	
Safety functions	<ul style="list-style-type: none"> • Foam detection and unbalanced load detection • Childproof lock 	
Technical information	<ul style="list-style-type: none"> • Washing Capacity: 10kg • Drying Capacity: 7kg • Spin speed selection from 400-1400rpm • HK energy label 1 • HK water label 1 • Total connected load: 2kW (10A) • Dimensions (H x W x D): 848 x 598 x 590(635*) mm 	
Country of origin	<ul style="list-style-type: none"> • China 	

[^] 99.99% removal on Virus (Poliomyelitis Sabin 1 strain) and 99.9% removal on Escherichia coli, Staphylococcus aureus in Dry Hygiene program- Test report EWXq-21-1363 issued by China Household Electric Appliance Research Institute (CHEARI)

[†] 99.99% removal of Escherichia coli, Staphylococcus aureus, Pseudomonas aeruginosa and Candida albicans in Mix program (40°C) with Hygiene Care option - EWXq-21-967&EWXq-21-968 issued by China Household Electric Appliance Research Institute (CHEARI)

[†] 99.99% removal of Escherichia coli, Staphylococcus aureus and Aspergillus niger in Drum Care program - Test report EWXq-22-1452 issued by China Household Electric Appliance Research Institute (CHEARI)

* Included door frame thickness

Please reserve 5-10mm as buffer due to possible uneven flooring
Please consult product hotline for installation requirement

Measurements in mm