

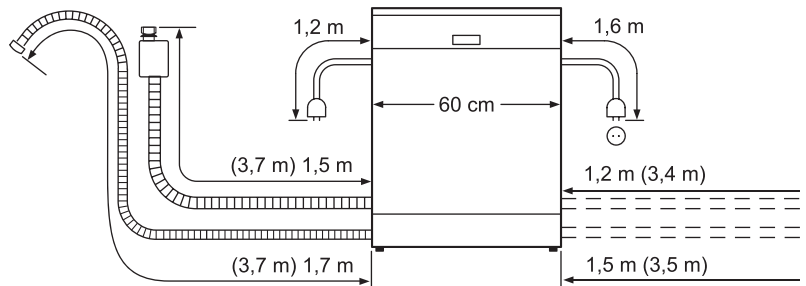
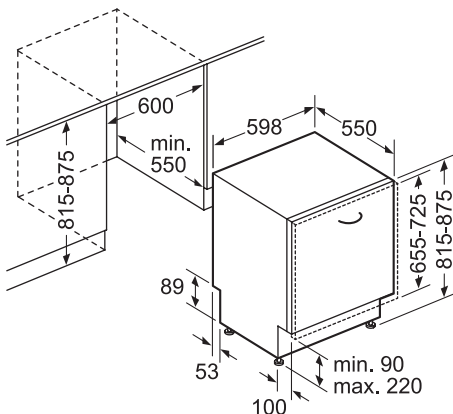
Invented for life



Complimentary accessory: Dishwashing aid set (SMZ5000)  
Glass holder rack (SMZ5300)



SMD6ZCX50E 60cm fully-integrated dishwasher with PerfectDry		\$28,800
<b>Programmes</b>	<ul style="list-style-type: none"> <li>8 Washing programmes:                             <ul style="list-style-type: none"> <li>- Intensive Wash 70°C</li> <li>- Auto Wash 45°C – 65°C</li> <li>- Eco Wash 50°C</li> <li>- Night Wash 50°C</li> <li>- Short Wash 60°C</li> <li>- Glass Wash 40°C</li> <li>- Quick Wash 45°C</li> <li>- Pre Rinse/Favourite</li> </ul> </li> </ul>	
<b>Functions</b>	<ul style="list-style-type: none"> <li>Machine Care programme</li> <li>VarioSpeed Plus™</li> <li>IntensiveZone</li> <li>ExtraDry</li> </ul>	
<b>Technology</b>	<ul style="list-style-type: none"> <li>PerfectDry - Zeolith® drying technology</li> <li>Door OpenAssis</li> <li>AquaSensor</li> <li>Heat exchanger</li> <li>AquaStop</li> <li>DosageAssist</li> <li>TimeLight projection on any floor during operation</li> </ul>	
<b>Control</b>	<ul style="list-style-type: none"> <li>1-24 hours delay start timer</li> </ul>	
<b>Design</b>	<ul style="list-style-type: none"> <li>3-level height adjustable top basket</li> <li>VarioDrawer Pro</li> <li>Max Flex Pro basket</li> <li>Extra Clean Zone</li> <li>Full flexibility of door panel at your choice (not included accessory)</li> </ul>	
<b>Technical information</b>	<ul style="list-style-type: none"> <li>14 place settings</li> <li>Consumption rates (Eco Wash 50°C programme)                             <ul style="list-style-type: none"> <li>- Water: 9.5L</li> <li>- Electricity: 0.83kWh</li> </ul> </li> <li>Noise level: 42dB</li> <li>Total connected load: 2.4kW (13A)</li> <li>Dimensions (H x W x D):                             <ul style="list-style-type: none"> <li>- Appliance: 815-875 x 598 x 550 mm</li> </ul> </li> </ul>	
<b>Supplied accessories</b>	<ul style="list-style-type: none"> <li>Dishwashing aid set (SMZ5000)</li> <li>Glass holder rack (SMZ5300)</li> </ul>	
<b>Country of origin</b>	<ul style="list-style-type: none"> <li>Germany</li> </ul>	



( ) values with extension kit

\* 99.999% reduction on Escherichia coli, Staphylococcus aureus in Eco 50°C program, HKTEC2101424501 (date 04/21) issued by SGS Hong Kong Limited.

Measurements in mm