

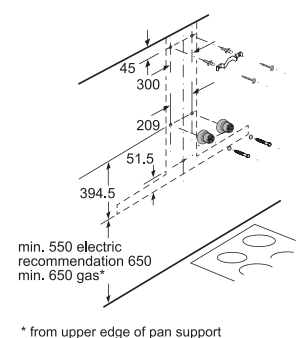
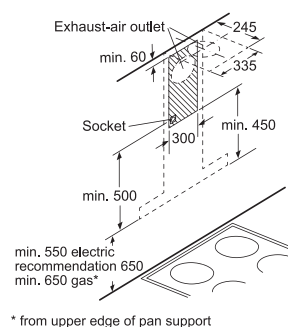
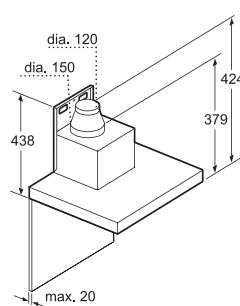
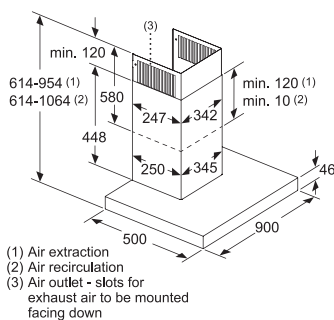
Invented for life



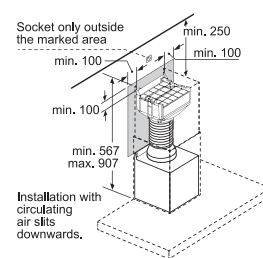
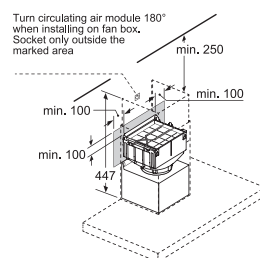
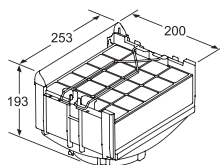
BOSCH



	DWB91PR50B 90cm wall mounted chimney hood	\$18,800
Performance	<ul style="list-style-type: none"> Suitable for exhaust or re-circulated air operation 3 speeds plus 2 power boost settings EcoSilence Drive™ technology 	
Functions	<ul style="list-style-type: none"> Electronic Touch Control 3 x 1.5W LED lights SoftLight dimmer function 	
Features	<ul style="list-style-type: none"> CruiseControl: Fresh air assured automatically* Perfect Air Sensor enables fully automatic ventilation Automatically run on for 10 minutes Automatically switches back from power boost to normal setting Saturation indicator for metal and charcoal filter <p>* Only with compatible hob: PXY875KW1E</p>	
Design	<ul style="list-style-type: none"> Box slimline design LED lightline 	
Technical information	<ul style="list-style-type: none"> Extraction capacity: 965m³/h (EN 61591) 120 or 150mm diameter pipe Total connected load: 0.265kW (13A) Appliance dimensions (H x W x D): Exhaust: 614-954 x 900 x 500 mm Recirculate: 614-1,064 x 900 x 500 mm 	
Supplied accessory	<ul style="list-style-type: none"> 3 dishwasher-safe metal grease filters 	
Optional accessories	<ul style="list-style-type: none"> Charcoal recirculating kit (DWZ2CB1I4 Price: \$1,000) Charcoal filter for DWZ2CB1I4 (DZZ2CB1B4 Price: \$800) Integrated CleanAir recirculation kit (DWZ0XX0J5 Price: \$2,500) CleanAir regenerative charcoal filter for DWZ0XX0J5* (DZZ0XX0P0 Price: \$1,600) <p>* Maximum 10 years lifespan: the regenerative filter can be generated up to 30 times, regeneration should be carried out in an oven at 200°C every 4 months with normal daily use of approximately 1 hour.</p>	
Country of origin	<ul style="list-style-type: none"> Germany 	



Installation with integrated cleanAir Recirculation Kit



Measurements in mm