



**BOSCH**

Invented for life



# Built-in Appliances 2022

# Who are Bosch?



“I have always acted according to the principle that it is better to lose money than trust. The integrity of my promises, the belief in the value of my products and in my word of honour have always had a higher priority to me than a transitory profit.”

Robert Bosch, 1921

For over 130 years, the Bosch name has been synonymous with engineering excellence. Our home appliances are renowned for their quality, reliability and performance which derives from our inherent, unflagging commitment and the painstaking thoroughness with which every unit is made. As you would expect from Bosch, there are no gimmicks or frills with our products – just pure, clean lines and beautiful, functional simplicity that will enhance any kitchen.

The values that shaped Robert Bosch’s vision for his new company in 1886 are the same principles that guide the business today; never lose the trust of your customers, look after your staff and partners and change things for the better. It’s what has kept Bosch at the forefront of the home appliance industry and what will keep it there in the future.

Follow us to learn more on:



# Contents

Customer service	2-3	<b>Hobs</b>	<b>34-53</b>	<b>Laundry</b>	<b>76-79</b>
Energy Labeling	4-5	Introducing the Bosch electric hob range	34-37	Introducing the Bosch laundry range	76-77
Home Connect	6-9	Venting hobs	38-39	Washing machines & washer dryers	78-79
<b>Ovens</b>	<b>10-33</b>	Induction hobs	40-44	<b>Dishwashers</b>	<b>80-90</b>
Introducing the Bosch oven range	10-18	Ceramic hobs	45	Introducing the Bosch dishwasher range	80-85
Single ovens	19-23	Introducing the Bosch gas hob range	46-47	60cm integrated dishwashers	86-89
Double ovens	24-25	Gas hobs	48-51	Semi-integrated & slimline dishwashers	90
Built-under double ovens	26	Domino hobs	52-53	<b>Refrigeration</b>	<b>91-109</b>
Compact ovens	27-29	<b>Hoods</b>	<b>54-75</b>	Introducing the Bosch refrigeration range	91-95
Microwave ovens	30-31	Introducing the Bosch hood range	54-59	Wine cabinets	96
Warming drawers	32	Ceiling hoods	60-61	Multi-door fridge freezers	97-98
Smart coffee centre	33	Island chimneys	62	American fridge freezers	99
		Downdraft hoods	63	NoFrost bottom freezers	100-103
		Angled & flat hoods	64-65	LowFrost and static bottom freezers	104
		Glass chimney hoods	66-67	Fridges & freezers	105-109
		Box chimney hoods	68-69	<b>Product installation guide &amp; accessories</b>	<b>110-131</b>
		Pyramid chimney hoods	70-71		
		Canopy hoods	72-73		
		Telescopic, integrated and built-under hoods	74-75		



# Peace of mind from Bosch



## Customer Service

### Trust Bosch Home Appliances Customer Service to help you with the following:

- Offer product advice on using your appliance or help with choosing a new Bosch appliance
- Register your appliances and extend the warranty
- Arrange a repair for your appliance by a Bosch engineer
- Locate and buy replacement spare parts and accessories

We're available seven days a week.

You can call us on:

**UK: 0344 892 8979**

**IE: 01450 2655**



Our advisors are available Monday to Friday 8am to 6pm, Saturday 9am to 5pm and Sunday 9am to 4pm. Calls are charged at the basic rate, please check with your telephone service provider for exact charges. In some areas, we may use an approved service partner and the process may vary for repairs carried out by our service partners.

Please note that due to the implications of COVID-19, our contact hours and service availability are subject to change. For the latest information and updates on our services, please visit our COVID-19 Service Update page at <https://www.bosch-home.co.uk/coronavirus>. Republic of Ireland customers should visit: <https://www.bosch-home.ie/coronavirus>.

## Prefer to receive help online?

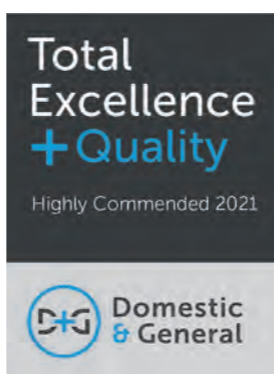
You can also visit: <https://www.bosch-home.co.uk/customer-service/get-support> to quickly find support online. We cover questions about usage and maintenance of your appliance, as well as tips on getting started and installing your new appliances. You can also book a repair visit, manage your existing bookings and more.

Republic of Ireland customers should visit: <https://www.bosch-home.ie/customer-service/get-support>.

## Repair Service

If your Bosch appliance needs a repair, we're here to help. Equipped to repair your appliance on the first visit, our team of locally based engineers are employed and trained by Bosch, which gives them unrivalled knowledge and expertise to repair our appliances.

You can easily book, and manage your engineer visit online at: <https://www.bosch-home.co.uk/customer-service/repair-service> or via our call centre (see contact details above). Republic of Ireland customers should visit: <https://www.bosch-home.ie/customer-service/repair-service>.



# Warranties, Accessories and Spare Parts

## Warranty Options

### Understand more about the warranty options.

Your Bosch appliances are supplied with a two-year manufacturer's warranty as standard, but you also have the option to extend this warranty to a total of five years for added peace of mind with the Bosch Extended Warranty. Learn more about your options by speaking to one of our experienced advisors or by visiting our website: <https://www.bosch-home.co.uk/customer-service/care-protection-and-parts/bosch-extended-warranty>. Republic of Ireland customers should visit: <https://www.bosch-home.co.uk/customer-service/care-protection-and-parts/bosch-extended-warranty>.

## Register my appliance

### Receive product updates instantly.

We advise that you register your appliances so we can contact you about any product updates. You can visit: [www.registeryourappliance.org.uk](http://www.registeryourappliance.org.uk) for further information. Any appliances you register will then be automatically registered for their two-year manufacturer's warranty, and you'll also have the option to extend your warranty further on eligible appliances by purchasing the Bosch Extended Warranty. Choose to register your appliance online or by calling us.

## Cleaning and Care, Cookware and Other Accessories

### Tested and approved products.

You can find everything you need for any appliance on the Bosch online store. It's here you'll find our tested and approved cleaning and care products, along with other accessories, ranging from a glass holder for your new dishwasher to a TeppanYaki for your hob.

Shop online at:

**UK:** <https://www.bosch-home.co.uk/store>

**IE:** <https://www.bosch-home.ie/store>

## Spare Parts

### Genuine Bosch parts, not copies.

Bosch keeps a comprehensive range of replacement spare parts for up to 10 years. You can browse our exploded view diagrams in our store or speak to an advisor on the phone to help you locate and buy the spare parts you need.

Shop online at:

**UK:** <https://www.bosch-home.co.uk/customer-service/spare-parts-search>

**IE:** <https://www.bosch-home.ie/customer-service/spare-parts-search>



# The New Energy Label

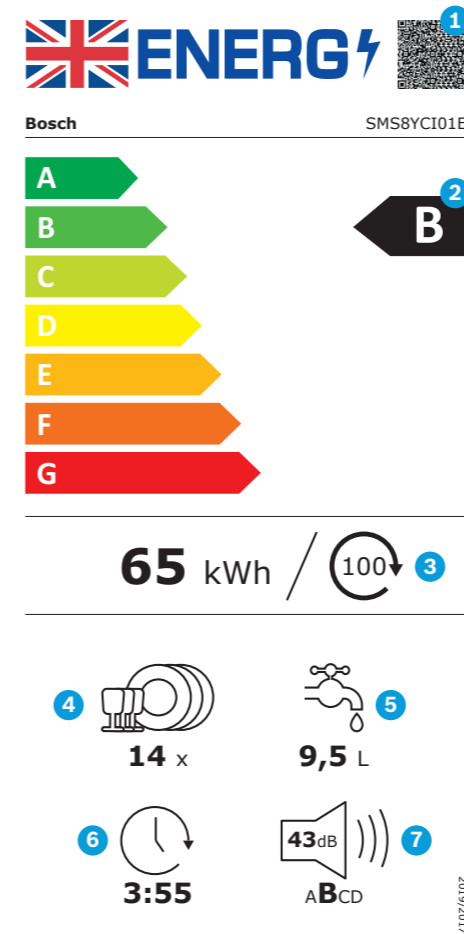
Technological development over the past few years has resulted in a higher concentration of products that are carrying labels with a value of A+ or better. Consequently, the label with the A+++ to D scale had not been fulfilling its original function as an aid for making purchasing decisions as well as it had done formerly. Other basic conditions like user behaviour have also changed. That's why it was time to adapt the energy label. The first appliances to have the new label are washing machines, washer-dryers, dishwashers, cooling appliances and wine cabinets. The new label has been appearing on these products since 1st March 2021.

The most significant change in the new energy labels is the elimination of the energy efficiency plus classes, for example A+++. Classification is now from A to G. New methods are also being used for measuring energy consumption and determining the label class. The new specifications take into account real-life usage of the product as much as possible and reflect average consumer behaviour. This means for example, that energy consumption for washing machines, washer dryers and dishwashers is no longer specified by year, but per 100 operating cycles of the particular appliance.

The duration of the label programme to be tested is also specified for these products. In the case of washing machines and washer dryers, there is even a maximum programme duration that must not be exceeded.

The test programme for labelling washing machines and washer-dryers has also changed. The new "Eco 40-60" programme can now be found on the control panel. In addition, these devices now have an even higher washing performance requirement, as well as a minimum requirement for the rinsing effect. For dishwashers, the components of the standard place setting has also changed to reflect modern usage. For these and other reasons, it is not possible to directly convert the old (A+++ to D) efficiency classes to the new classes. In addition, you will be able to access further product information directly via a QR code that is displayed on the energy label. The QR code forwards you to a data sheet relating to the appliance. For more information on the new energy label, please visit: <https://www.bosch-home.co.uk/experience-bosch/energy-labels>.

Look out for the new energy efficiency class icons throughout our brochure and on our product pages.



## Sample energy label for dishwashers:

The energy efficiency class for dishwashers continues to be based on the "Eco" programme. However, the test standard has been changed. For example, coffee cups, stainless-steel pots, and plastic utensils will be used to determine cleaning and drying performance to better reflect actual usage behaviour. What's new is the specification of the duration of the Eco programme. This programme is especially eco-friendly, is ideal for normally soiled dishes and is the most efficient programme in terms of "energy and water consumption". However, for resource-saving cleaning (with less consumption of electricity, water and detergent), you have to give these components a certain amount of time to develop their full effect. As with washing machines and washer-dryers, energy consumption will be based on 100 cleaning cycles.

### Key

- QR code
- Energy efficiency class
- Energy consumption in kWh/100 operating cycles (in Eco programme)
- Number of standard place settings for the Eco programme
- Water consumption in litres/operating cycle (in Eco programme)
- Duration of the "Eco" programme
- Noise emissions expressed in dB(A) re 1 PW and noise emission class

## Sample energy label for washing machines:

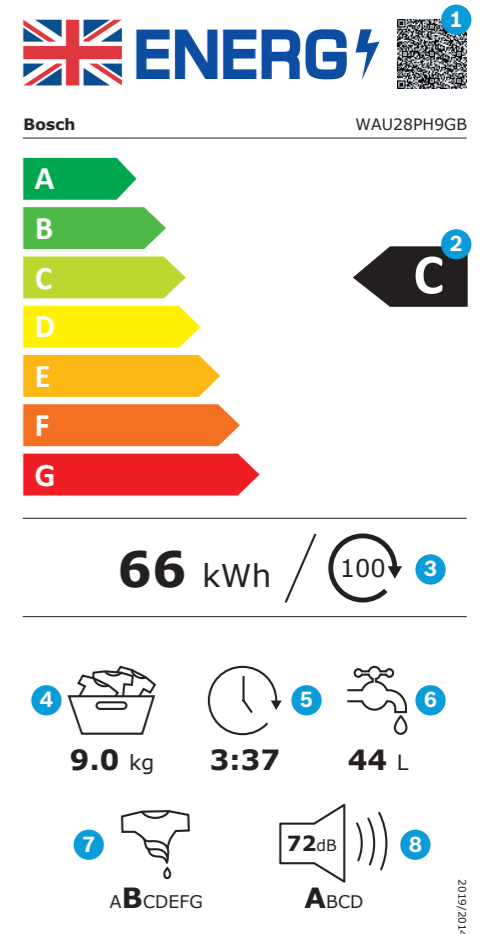
One of the major changes in the energy label for washing machines is the change in the test programme to which all label values refer. Like, for example, the energy consumption which will be based on 100 wash cycles. The new "Eco 40-60"\* programme is suitable for cleaning normally soiled fabrics made of cotton, linen or mixed fibres which, based on their care symbol, are washable at 40°C or 60°C. The fabrics named may be combined in this wash cycle. The "Eco 40-60" programme is the most efficient programme in the combination "energy and water consumption".

### Key

- QR code
- Energy efficiency class\*\*
- Weighted energy consumption\*\* in kWh/100 operating cycles (in Eco 40-60 programme)
- Maximum load capacity
- Duration of "Eco 40-60" programme
- Weighted water consumption\*\* in litres/operating cycle (in Eco 40-60 programme)
- Spin efficiency class\*\*
- Noise emissions during spin cycle expressed in dB(A) re 1 PW and noise emission class\*\* Values apply to quarter, half and full loads

\* Eco 40-60 In order to achieve optimal energy efficiency, an optimal washing temperature is defined for this programme. This temperature can't be changed by the customer. The actual washing temperature is specified in the user manual and, depending on the load size, may deviate from the selected washing temperature for reasons of saving energy. Washing performance complies with legal requirements.

\*\*Values apply to quarter, half and full loads.



From controlling your Home Connect Serie 8 oven with your voice, to getting notifications when your laundry is ready, our more helpful smart appliances mean less things to think about and more time to spend on something else. Bosch Home Appliances with Home Connect ensure your home is ready for the future, today.

## How you can use your Home Connect app.

Oven	Washer & dryer	Fridge freezers	Dishwasher	Fully automatic coffee machine	Hob & hoods	Services
Seasonal recipe specials.	Programme assistant – help find the right wash or dry programme for your fabrics.	Smart storage guide/object recognition.	Easy Start in three steps to choose the perfect wash.	Coffee playlist.	Filter saturation & replacement - Let the hood notify you when the filter needs replacing.	Keep your appliance updated with regular software updates.
Voice Control - Sticky hands? Ask Alexa or Google to adjust the temperature and more.	Additional stain programmes.	Check to see if you need more milk from the supermarket.	Receive tablet, rinse aid and salt level notifications via the app, so you never run out.	Coffee world - Make a coffee from your favourite destination.	Hob-hood control - Ensure the hood starts whenever you use the hob.	User manual.
Send recipe settings directly to your oven.	MyTime - Adjust washing time.	Inventory manager Add fridge contents and use by dates, to better manage your food consumption.	Keep your dishwasher in top condition - Receive automatic tablet and cleaning bundles via smart finish subscription.	MyCoffee - Add your personal coffee to MyCoffee for fast easy coffee your way.	Remote setting & monitoring.	Remote Diagnostics.
Programme notifications. Adjust oven settings on the go.	Smart drying - washer and dryer connected for perfect results every time.	Warning notifications when the freezer door has been left open.	Easily set your hard water settings to prolong the life of your dishwasher.	Notification when your beans and water levels are getting low.		
	Programme notifications.	Easily change to holiday mode, most efficient mode while you're away.				

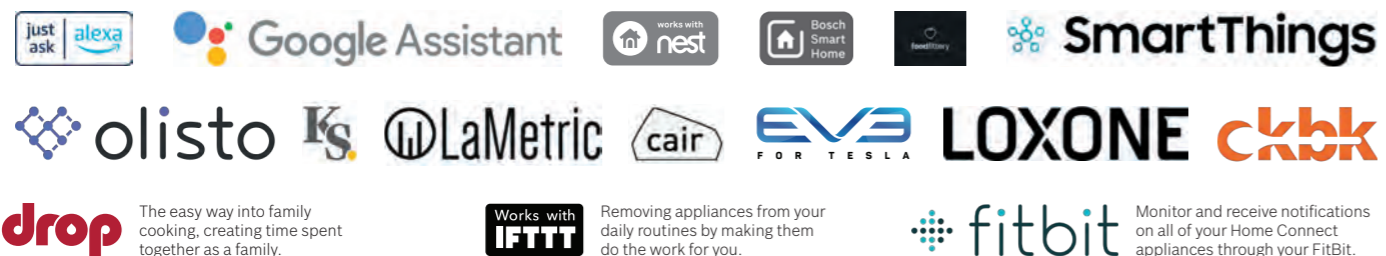
\*Home Connect is available on selected appliances.

## Why not try the app?

Experience it yourself: download the free Home Connect app and try Home Connect, even if you don't have an appliance.



Home Connect | in partnership with



Voice control services based on Amazon Alexa will allow you to connect and control your appliances in your home simply by speaking to Alexa. Along with the ability to use Alexa with many other partners from Drop and IFTTT, the possibilities are endless.

Once Home Connect devices are set up you can control your oven, dishwasher, coffee machine, washing machine and tumble dryer. All you'll need to do is simply ask:



Alexa will then continue to guide you through. Search for Home Connect in the Skills area of the Alexa app.



With the Google Assistant, users can get the best out of Google and connected home appliances with Home Connect. Just say, "Hey Google" to get started. You can check to see if you need more milk from the supermarket and even stay notified on the go with compatible wearable devices.



Simply control your kitchen appliances with voice control, from your dishwasher and washing machine to your hood and oven.

You'll be able to turn the appliances on and off, but also query Google Assistant about when the appliance will be done and what programme is running.

# Helpful Home Appliances

The future has arrived and it's knocking on your front door. Home Connect brings smart technology to your appliances and lets you control them with your phone or tablet.

So, whether you want to turn the oven on to cook your dinner when you're on your way home, or check what's in your fridge while you're at the shops, you'll be in complete control.

## Simple to set up, simple to use.

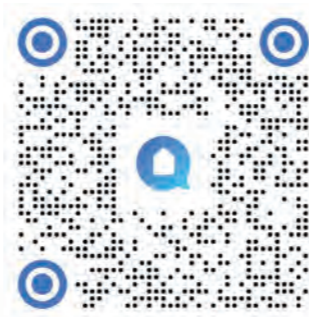
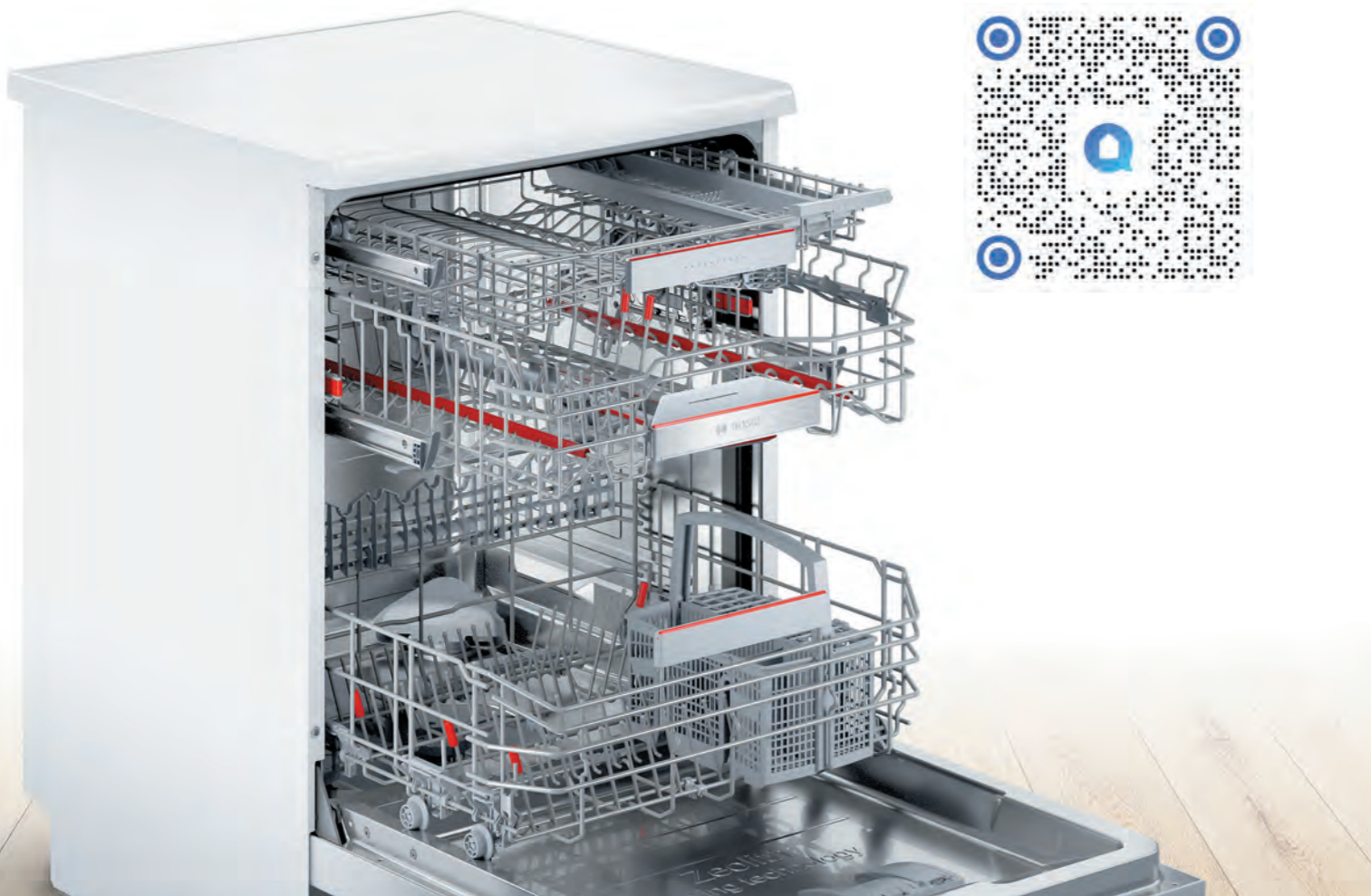
There's no need to worry if you're not a technical genius. We've made sure Home Connect is simple and straightforward to set up. If you do need a helping hand, you can call our Customer Service team on: **0344 892 8979** to speak to a dedicated Home Connect operator. You'll find the Home Connect app just as easy to use. There are lots of pre-set options to get you started quickly, and everything is set out logically and clearly.

Setting up your home appliance and adjusting the product to suit your needs is easier with the Home Connect app.

To find out more, scan the QR code.

## Relax – we're invented for life.

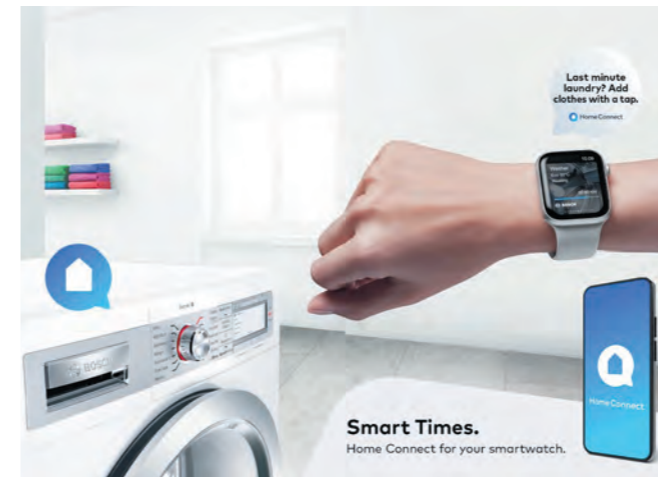
Home Connect uses the same security protocol as online banking, so you can enjoy extra peace of mind when you're using your Bosch appliances. Our app has TÜV Trusted App certification, and all of our Home Connect appliances are Wi-Fi certified by the Wi-Fi Alliance.



# Peace of mind with Home Connect

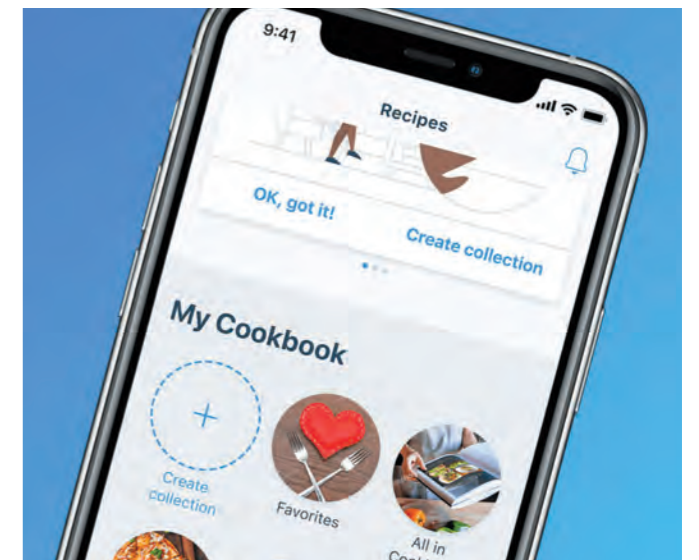
## My Cookbook

My Cookbook makes it quick and easy to find the perfect recipe for any occasion. Create unlimited personalised collections and name them however you please. Summer Lunches, Quick Bites, Dinner Party – it's all up to your imagination. Take your pick from more than 1000 recipes from our database and add them to your personal cookbook.



## Smart Finish

Your Home Connect enabled dishwasher will let the Smart Finish service app know when you run a dishwashing cycle. With this intelligence, Finish will know when you're near to running out of dishwasher tablets and they will directly deliver a new pack only when you need them. Just simply set the number of tablets you currently have and select your ongoing reorder level. Afterwards, you can sit down and relax, because everything else will happen automatically.



## Know when you're getting low on detergent

Your i-DOS washing machine uses the water hardness and fill level to determine how much detergent and fabric softener is required to get a perfectly clean result.

And so that you never run out of detergent, the Home Connect app sends you a timely reminder when your detergent is running low.



## Remote Delayed Start\*

Adjust the settings on your appliance from any room in your house, or even when you're out and about. So, if you're delayed while you're out? That's fine. You can simply adjust the settings from wherever you are and, if the food has already started cooking, you can simply press "pause". The oven will lower the temperature until you start it again, so your meal isn't ruined. Different levels of Remote Delayed Start allow you different levels of flexibility.

\*Available on selected models.

# Introducing the Bosch oven range.

Whatever kind of cook you are, we have a range of smart and stylish built-in single or double ovens for you to choose from. Serve up vitamin-packed meals using one of our innovative added steam ovens or, if limited on space, our easy to use microwaves and compact appliances will bring style and function to any kitchen.

## Serie 8

With their impressive technology, elegant design and sensor-controlled programmes, our **Serie 8** ovens meet every need and more in the kitchen. The innovative control wheel provides full control over your dishes at all times.

## Serie 6

Simple elegance meets superior technology. **Serie 6** ovens give you more than just convenient operation and modern functionality. Easy to use with various programmes to suit different foods, now available in stylish all-black design.

## Serie 4

Modern design, quality engineering and practicality. Our **Serie 4** oven range looks stunning inside and out. Easy to use functionality with a selection of cooking programmes to choose from.

Model shown: HBS534BW0B

## Cooking functions explained.

Check model for available functions.



### 4D Hotair

Place your food on any of the four shelf levels to achieve consistently perfect results: thanks to the fan wheel that changes the direction of rotation during operation to distribute heat evenly on every level.



### 3D Hotair

By maintaining the right temperature across three shelf levels, consistently even cooking results are achieved.



### Top and bottom heat

Conventional baking and roasting on one level.



### Top/Bottom heat gentle

Conventional baking and roasting on one level using residual heat, allowing you to gently cook meat, fish and baked items.



### Hotair grilling

By operating alternatively, the grill and fan create a rotisserie effect, perfect for creating crisp meat.



### Bottom heat

Only the bottom element is heated – ideal for pastry cases, bain-marie cooking and reheating.



### Pizza setting

Create authentic pizzas with crisp bases and moist toppings. Also great for quiches, tarts and frozen foods.



### Centre Grill

Use the centre grill for smaller quantities and more efficiency.



### Hotair Gentle

For all those times you cook using just one shelf level, Hotair Gentle gives perfect results.



### Full width variable grill

Grill large quantities with ease thanks to the precise temperature control. For added efficiency the door can be closed and the smells are kept in the oven.



### Defrost

Gently defrosts food evenly and quicker than it would take on the kitchen counter.



### Fast heat

For those times when you need your food ready more quickly, select fast heat to warm the oven faster.



### Single point probe

The single point meat probe constantly measures the temperature at the core of the roast and as soon as the desired temperature is reached gives an acoustic and switches off automatically.

(Available in selected Serie 6 models only)



### PerfectRoast Meat probe

Three highly sensitive measuring points determine the core temperature of your food to the exact degree, guaranteeing perfect roasting results and taking away the guesswork.

(Available in selected Serie 8 models only)



### Added Steam

Produces succulent roasts, with juicy meats and crispy skins, as well as breads with the perfect colour and crust.

(Available on selected models only)



### Pyrolytic cleaning

Heats the oven to around 480°C, which reduces dirt and grease deposits to dust that can be easily wiped away.

(Available in selected models only)



### EcoClean Direct

Almost no cleaning is necessary thanks to a special coating of the rear wall that automatically absorbs grime.

(Available in selected models only)

### Single ovens.



HRG6769S6B

### Double ovens.



MBA5785S6B

### Double built-under ovens.



NBS533BS0B

### Compact steam ovens.



CSG656BS7B

### Compact ovens with microwave.



CMG676BS6B

### Compact microwave combination ovens.



CMA583MS0B

Choose our built-in companion appliances to compliment your built-in oven.

### Warming drawers.



BID630NS1B (29cm)  
(warming drawers available in 29cm and 14cm high)

### Built-in coffee machine.



CTL636ES6

# Serie 8 ovens

With their impressive technology, elegant design and crystal clear TFT-touch display, our **Serie 8** ovens meet every need and more in the kitchen. The innovative control wheel provides convenience and functionality with full control over your dishes at all times. Plus, thanks to sensor-controlled programmes, you'll achieve **perfect results** every time.



#### Home Connect.

Allows you to stay on top of your game by giving you easy access to a wide variety of innovative cooking and meal preparation techniques – all from the comfort of your mobile device.

(selected models only)



#### Even heat. Maximum flexibility.

Thanks to **4D Hotair**, you can place your food on any of the four shelf levels and the results will be consistent. Our motor and fan wheel design makes it possible: it changes the direction of rotation during operation to distribute heat evenly on every level. And that's not all: with **4D Hotair**, you can also bake and roast on up to four different levels simultaneously. So you'll enjoy reliable results from top to bottom.



#### Added steam.

By adding precisely the right amount of steam at precisely the right moment, baking results get even better. **Steam** prevents food drying out, giving bread a deliciously **crispy crust** and a **light, fluffy inside**. Steam is also great for bringing out flavours, when roasting or re-heating. Simply fill the water tank, integrated behind the semi-automatic control panel in the Serie 8 ovens. The added steam function is controlled automatically.

(selected models only)



# Perfect results at your fingertips.

Discover our sensor-controlled functions with **BoschAssist**, **PerfectBake** and **PerfectRoast**. This feature automatically sets precise information on temperatures and cooking times for all kinds of dishes, plus you can simply scroll through to find our intuitive baking and roasting functions.



#### Scroll through for the PerfectRoast.

Traditional British beef, Easter lamb or Sunday roast chicken – with the **PerfectRoast meat probe**, perfect results are guaranteed every time. With three temperature sensors for even more accuracy, the meat probe measures the core temperature of the food – removing the guesswork. Just like a professional chef, but with complete ease. Three highly sensitive measuring points determine the core temperature of your food to the exact degree, guaranteeing perfect roasting results and taking away the guesswork.



#### Scroll through for the PerfectBake.

Baking has never been easier. The **PerfectBake sensor** offers precise sensitivity and constantly measures the moisture level of dishes, as well as automatically regulating the baking process.

(selected models only)



#### Pyrolytic Cleaning.

Cleaning the oven by hand can be very exhausting and time-consuming. Thanks to our ovens with the **Pyrolytic** self-cleaning function, you can now save yourself this task for good, without getting your hands dirty or using any chemical cleaning products. Just remove the trays and rails, select the level of soiling, press 'Start' and your oven will heat up to around 480°C, reducing any grease/food residues to dust. All that's left for you to do is wipe away the dust with a damp cloth.

(selected models only)



# Serie 6 Single ovens

Simple elegance meets superior technology. **Serie 6** ovens give you more than just convenient operation and modern functionality. Easy to use with various programmes to suit different foods, all available to view clearly on the large LCD display.



### 3D Hotair

**3D Hotair** allows cooking on up to 3 shelves at any one time. The fan at the back of the oven distributes the heat from the ring heating element, creating consistent temperatures around the cooking cavity ensuring even temperatures. **3D Hotair** also cooks at lower temperatures, so this cuts down soiling of grease and fat.



### Single Point Meat Probe

The single point meat probe constantly measures the temperature at the core of the roast and as soon as the desired temperature is reached, it gives an acoustic and switches off automatically. Minimal monitoring is needed to get the perfect roast. No over cooking or drying out. (selected models only)

- Suitable for leaner meat
- Connects to the oven internally via a plug-in jack
- Wide core temperature range: 30-99 °C
- User manual offers core temperature guidance for cooking results
- Suitable for using with **3D Hotair**, grilling and top bottom heat

Why not match up your **Serie 6** oven with a Compact Oven or built-in Microwave? Find out more on page 29.

Our Bosch **Serie 6** ovens all come with a selection of AutoPilot programmes for you to choose from. This means every dish is a perfect success when you cook using these functions. The selection is made even easier with the electronic control.



### Home Connect

Allows you to stay on top of your game by giving you easy access to a wide variety of innovative cooking and meal preparation techniques – all from the comfort of your mobile device. (selected models only)



### Added steam

By adding the right amount of steam at precisely the right moment, baking results get even better. **Steam** prevents food drying out, giving bread a deliciously **crispy crust** and a **light, fluffy inside**. Steam is also great for bringing out flavours, when roasting or re-heating. The water tank is located on the control panel and comes out with a simple push. The added steam function is controlled automatically. (selected models only)

# Serie 6 Double ovens

If you need that extra bit of cooking capacity but don't have the space for 2 single ovens, you can choose from a selection of **Serie 6** built-in and built-under double ovens. With 2 independently controlled cavities, the **Serie 6** double ovens mean you won't need to compromise on features, with Home Connect and pyrolytic self-cleaning in both cavities on selected models.



### Bosch Clip

Clip design extended to feature on hoods and **Serie 4 & 6** ovens. The clip is made of polished chrome and embossed with the Bosch logo.

Also appears on other products in the Bosch portfolio, such as dishwashers and freestanding refrigerators, giving these appliances an unmistakable Bosch character.

### Level Independent Telescopic Rails

Designed to clip to the standard factory fitted shelf support rails, that come as standard on selected models, they can be positioned independently on any of the 5 oven shelf positions in the main cavity in our Serie 6 double ovens.

- Suitable for all levels, including the grill level
- Quick and easy installation and removal
- Suitable for single ovens and main ovens in double ovens.
- Additional Telescopic Rails can be purchased separately as an optional accessory.

# Serie 4 Single ovens

Modern design, quality engineering and practicality. Our **Serie 4** oven range looks stunning inside and out. Easy to use functionality with a selection of cooking programmes to choose from.



## 2 Piece Slim Universal Pan

The optimum solution for cooking smaller quantities, different foods, different combinations and different cooking durations - all made easier with the two piece slimline pan concept.

- Each pan is the half-width of a universal baking tray - 18.5cm
- Transfers from fridge to oven and to dishwasher when finished.



Why not match up your **Serie 4** oven with a Compact Oven or built-in Microwave? Find out more on page 29.



## 3D Hotair

The **3D Hotair** allows cooking on up to 3 shelves at any one time. The fan at the back of the oven distributes the heat from the ring heating element behind the back panel evenly around the cooking cavity ensuring even temperatures. No intermingling of flavours so you can cook sweet and savoury dishes at the same time with confidence.

Model shown: HBS573BS0B

# Serie 4 Double ovens

If you need that extra bit of cooking capacity but don't have the space for 2 single ovens, you can choose from a selection of **Serie 4** built-in and built-under double ovens. With 2 independently controlled cavities, the **Serie 4** offers extra cooking space without compromising on features.



Our Bosch **Serie 4** double ovens all come with 5 cooking functions in the main cavity and 3 functions in the second oven. These also feature 2 Piece Slim pans and EcoClean, helping you accommodate different cooking needs and clean up after. Available in brushed steel, black or white, so you can select the perfect colour for your kitchen.

## Bosch Clip

Clip design extended to feature on hoods and **Serie 4 & 6** ovens. The clip is made of polished chrome and embossed with the Bosch logo. Also appears on other products in the Bosch portfolio, such as dishwashers and freestanding refrigerators, giving these appliances an unmistakable Bosch character.

Model shown: MBS533BS0B

Whichever model you choose from any of our Serie ranges, you'll find the perfect model and combination for your kitchen.



#### Combination design.

Using the highest quality stainless steel and glass, our ovens and compact appliances combine beautifully to deliver a timeless, elegant and stylish finish to any kitchen with sleek, co-ordinated lines and matching panels.

#### Combination possibilities.

Create seamless lines in your kitchen with our Serie ranges by combining a single oven together with one of our compact appliances and warming drawers. For the optimum in design co-ordination, choose appliances belonging to the same Serie family to create harmonious lines in your kitchen.

Cooking appliances can be arranged both horizontally and vertically, depending on the space you have in your kitchen.

### Serie 8



HRG6764S6B

Example combination design match:

Compact	CSG656BS7B
Warming Drawer (29cm)	BID630NS1B
Warming Drawer (14cm)	BIC630NS1B
Coffee Centre	CTL636ES6
Microwave	BFL634GS1B

### Serie 6



HRG579BB6B

Example combination design match:

Compact	CMA585GB0B
Warming Drawer (15cm)	BIC510NB0
Microwave	BFL554MB0B

### Serie 4



HBS573BS0B

Example combination design match:

Compact	CMA583MS0B
Warming Drawer (15cm)	BIC510NS0B
Microwave	BEL553MS0B

## Single ovens

### Serie 8

HRG6769S6B



#### 4D Hotair:

Even heat distribution for perfect results, on all levels.



#### Pyrolytic self-cleaning:

No cleaning effort thanks to automatic self-cleaning. Including pyrolytic proof rails.



#### Home Connect:

Home appliances with smart connectivity for an easier everyday life.



#### Added Steam:

Produces succulent roasts, with juicy meats and crispy skins, as well as breads with the perfect colour and crust.

**BoschAssist:** Automatic setting of the optimal type of heat, temperature and time for countless dishes.

**TFT touchscreen control:** Easy-to-use thanks to the control ring with full text and images.



OVEN TYPE	PYROLYTIC WITH ADDED STEAM
DESIGN FAMILY	SERIE 8
Brushed Steel	HRG6769S6B
Black	-
White	-
KEY FEATURES	
Control Wheel, TFT Touchdisplay & ClearText	•
Control Wheel, TFT Display	-
Control dials / White LCD or Red LED Display	-
Electronic control	•
SoftClose / SoftOpen drop down door	•
Home Connect	•
BoschAssist	•
PerfectBake Sensor	•
Automatic cooking programmes	-
Perfect Roast Multi-point temperature probe	•
Single-point temperature probe	-
Added steam function	•
Pyrolytic self cleaning function	•
ecoClean® back / roof / side surfaces	-
ADDITIONAL PROGRAMMES / FUNCTIONS	
Hotair: 3D / 4D	4D
Conventional top & bottom heat / bottom heat only	•
Hotair / Conventional Gentle	•
Hotair grilling	•
Full width / Half width variable grill	•
Pizza Setting / Intensive Setting	•
Low temperature cooking	•
Defrost	•
Keep warm / Plate warming	•
Dehydrate	•
Fast heat	•
PERFORMANCE / TECHNICAL INFORMATION	
Oven capacity (L)	71
Energy efficiency index <sup>1</sup>	87.1
Energy efficiency class <sup>1</sup>	A
Energy consumption per cycle Hotair (kWh) <sup>1</sup>	0.74
Energy consumption per cycle conventional (kWh) <sup>1</sup>	0.90
Time to cook standard load (mins.) <sup>1</sup>	44
Largest baking sheet area (cm <sup>2</sup> )	1290
Total connected loading (W)	3450
Cable length (cm)	120
Water tank capacity (L)	1
STANDARD ACCESSORIES	
Wire Shelves / Full width enamelled pan	2 / 1
Two-piece slim pan set	-
Fixed level telescopic shelves	3 levels
Level Independent telescopic rail	-

• = yes - = no

<sup>1</sup> According to Regulation (EU) No 65/2014 (models with integral microwave or steam only are exempt)

Home Connect



For more design combinations and alternative VIBs, please visit our website or ask your kitchen designer.

# Single ovens



OVEN TYPE	PYROLYTIC	PYROLYTIC	STANDARD
DESIGN FAMILY	SERIE 8	SERIE 8	SERIE 8
BRUSHED STEEL	HBG6764S6B	HBG674BS1B	HBG634BS1B
BLACK	HBG6764B6B	HBG674BB1B	HBG634BB1B
WHITE	-	-	-
<b>KEY FEATURES</b>			
Control Wheel, TFT Touchdisplay & ClearText	●	-	-
Control Wheel, TFT Display	-	●	●
Control dials / White LCD or Red LED Display	-	-	-
Electronic control	●	●	●
SoftClose / SoftOpen drop down door	●	●	●
Home Connect	●	-	-
BoschAssist	●	-	-
PerfectBake Sensor	●	-	-
Automatic cooking programmes	-	10	-
Perfect Roast Multi-point temperature probe	●	-	-
Single-point temperature probe	-	-	-
Added steam function	-	-	-
Pyrolytic self cleaning function	●	●	-
ecoClean® back / roof / side surfaces	-	-	● / - / -
<b>ADDITIONAL PROGRAMMES / FUNCTIONS</b>			
Hotair: 3D / 4D	4D	4D	4D
Conventional top & bottom heat / bottom heat only	●	●	●
Hotair / Conventional Gentle	●	●	●
Hotair grilling	●	●	●
Full width / Half width variable grill	●	●	●
Pizza Setting / Intensive Setting	● / -	● / -	● / -
Low temperature cooking	●	●	●
Defrost	●	●	●
Keep warm / Plate warming	●	●	●
Dehydrate	-	-	-
Fast heat	●	●	●
<b>PERFORMANCE / TECHNICAL INFORMATION</b>			
Oven capacity (L)	71	71	71
Energy efficiency index <sup>1</sup>	81.2	81.2	81.2
Energy efficiency class <sup>1</sup>	A+	A+	A+
Energy consumption per cycle Hotair (kWh) <sup>1</sup>	0.69	0.69	0.69
Energy consumption per cycle conventional (kWh) <sup>1</sup>	0.87	0.87	0.87
Time to cook standard load (mins.) <sup>1</sup>	42	42	42
Largest baking sheet area (cm <sup>2</sup> )	1290	1290	1290
Total connected loading (W)	36000	36000	36000
Cable length (cm)	120	120	120
Water tank capacity (L)	-	-	-
<b>STANDARD ACCESSORIES</b>			
Wire Shelves / Full width enamelled pan	2 / 1	2 / 1	2 / 1
Two-piece slim pan set	-	-	-
Fixed level telescopic shelves	1 level	-	-
Level Independent telescopic rail	-	-	-

● = yes - = no

<sup>1</sup> According to Regulation (EU) No 65/2014 (models with integral microwave or steam only are exempt)

OVEN TYPE	PYROLYTIC	PYROLYTIC	STANDARD
DESIGN FAMILY	SERIE 6	SERIE 6	SERIE 6
BRUSHED STEEL	-	-	-
BLACK	HRG579BB6B	HBG579BB6B	HBG539BB6B
WHITE	-	-	-
<b>KEY FEATURES</b>			
Control Wheel, TFT Touchdisplay & ClearText	●	●	●
Control Wheel, TFT Display	●	●	●
Control dials / White LCD or Red LED Display	● / White	● / White	● / White
Electronic control	●	●	●
SoftClose / SoftOpen drop down door	●	●	●
Home Connect	●	●	●
BoschAssist	-	-	-
PerfectBake Sensor	-	-	-
Automatic cooking programmes	40	40	40
Perfect Roast Multi-point temperature probe	-	-	-
Single-point temperature probe	-	-	-
Added steam function	●	-	-
Pyrolytic self cleaning function	●	●	-
ecoClean® back / roof / side surfaces	-	-	● / - / -
<b>ADDITIONAL PROGRAMMES / FUNCTIONS</b>			
Hotair: 3D / 4D	3D	-	-
Conventional top & bottom heat / bottom heat only	●	●	●
Hotair / Conventional Gentle	● / -	● / -	● / -
Hotair grilling	●	●	●
Full width / Half width variable grill	●	●	●
Pizza Setting / Intensive Setting	●	●	●
Low temperature cooking	●	●	●
Defrost	●	●	●
Keep warm / Plate warming	-	-	-
Dehydrate	-	-	-
Fast heat	-	-	-
<b>PERFORMANCE / TECHNICAL INFORMATION</b>			
Oven capacity (L)	71	71	71
Energy efficiency index <sup>1</sup>	95.3	95.3	95.3
Energy efficiency class <sup>1</sup>	A	A	A
Energy consumption per cycle Hotair (kWh) <sup>1</sup>	0.81	0.81	0.81
Energy consumption per cycle conventional (kWh) <sup>1</sup>	0.99	0.99	0.97
Time to cook standard load (mins.) <sup>1</sup>	49.5	49.5	50
Largest baking sheet area (cm <sup>2</sup> )	1290	1290	1290
Total connected loading (W)	36000	36000	36000
Cable length (cm)	120	120	120
Water tank capacity (L)	0.2	0.2	0.2
<b>STANDARD ACCESSORIES</b>			
Wire Shelves / Full width enamelled pan	2 / 1	2 / 1	2 / 1
Two-piece slim pan set	●	●	●
Fixed level telescopic shelves	-	-	-
Level Independent telescopic rail	-	-	-

● = yes - = no

<sup>1</sup> According to Regulation (EU) No 65/2014 (models with integral microwave or steam only are exempt)

# Single ovens



OVEN TYPE	PYROLYTIC	PYROLYTIC	STANDARD
DESIGN FAMILY	SERIE 4	SERIE 4	SERIE 4
BRUSHED STEEL	HRS574BS0B	HBS573BS0B*	HRS534BS0B
BLACK	-	HBS573BB0B*	-
WHITE	-	-	-
<b>KEY FEATURES</b>			
Control Wheel, TFT Touchdisplay & ClearText	-	-	-
Control Wheel, TFT Display	-	-	-
Control dials / White LCD or Red LED Display	● / Red	● / Red	● / Red
Electronic control	●	●	●
SoftClose / SoftOpen drop down door	●	-	●
Home Connect	●	-	-
BoschAssist	-	-	-
PerfectBake Sensor	-	-	-
Automatic cooking programmes	10	10	10
Perfect Roast Multi-point temperature probe	-	-	-
Single-point temperature probe	●	-	-
Added steam function	●	-	●
Pyrolytic self cleaning function	●	●	-
ecoClean® back / roof / side surfaces	-	-	●
<b>ADDITIONAL PROGRAMMES / FUNCTIONS</b>			
Hotair: 3D / 4D	3D	3D	3D
Conventional top & bottom heat / bottom heat only	●	● / -	●
Hotair / Conventional Gentle	● / -	● / -	● / -
Hotair grilling	●	●	●
Full width / Half width variable grill	● / -	● / -	● / -
Pizza Setting / Intensive Setting	● / -	-	● / -
Low temperature cooking	-	-	-
Defrost	-	-	-
Keep warm / Plate warming	-	-	-
Dehydrate	-	-	-
Fast heat	-	●	-
<b>PERFORMANCE / TECHNICAL INFORMATION</b>			
Oven capacity (L)	71	71	71
Energy efficiency index <sup>1</sup>	95.3	95.3	95.3
Energy efficiency class <sup>1</sup>	A	A	A
Energy consumption per cycle Hotair (kWh) <sup>1</sup>	0.81	0.81	0.81
Energy consumption per cycle conventional (kWh) <sup>1</sup>	0.99	0.99	0.97
Time to cook standard load (mins.) <sup>1</sup>	49.5	50	43
Largest baking sheet area (cm <sup>2</sup> )	1290	1290	1290
Total connected loading (W)	29900	29900	29900
Cable length (cm)	120	120	120
Water tank capacity (L)	0.2	-	0.2
<b>STANDARD ACCESSORIES</b>			
Wire Shelves / Full width enamelled pan	2 / 1	2 / 1	2 / 1
Two-piece slim pan set	-	●	-
Fixed level telescopic shelves	-	-	-
Level Independent telescopic rail	1 Pair	-	1 Pair

● = yes - = no

<sup>1</sup>According to Regulation (EU) No 65/2014 (models with integral microwave or steam only are exempt)

OVEN TYPE	STANDARD
DESIGN FAMILY	SERIE 4
BRUSHED STEEL	HBS534BS0B
BLACK	HBS534BB0B
WHITE	HBS534BW0B
<b>KEY FEATURES</b>	
Control Wheel, TFT Touchdisplay & ClearText	-
Control Wheel, TFT Display	-
Control dials / White LCD or Red LED Display	● / Red
Electronic control	-
SoftClose / SoftOpen drop down door	-
Home Connect	-
BoschAssist	-
PerfectBake Sensor	-
Automatic cooking programmes	-
Perfect Roast Multi-point temperature probe	-
Single-point temperature probe	-
Added steam function	-
Pyrolytic self cleaning function	-
ecoClean® back / roof / side surfaces	● / - / -
<b>ADDITIONAL PROGRAMMES / FUNCTIONS</b>	
Hotair: 3D / 4D	3D
Conventional top & bottom heat / bottom heat only	●
Hotair / Conventional Gentle	● / -
Hotair grilling	●
Full width / Half width variable grill	● / -
Pizza Setting / Intensive Setting	● / -
Low temperature cooking	-
Defrost	-
Keep warm / Plate warming	-
Dehydrate	-
Fast heat	●
<b>PERFORMANCE / TECHNICAL INFORMATION</b>	
Oven capacity (L)	71
Energy efficiency index <sup>1</sup>	95.3
Energy efficiency class <sup>1</sup>	A
Energy consumption per cycle Hotair (kWh) <sup>1</sup>	0.81
Energy consumption per cycle conventional (kWh) <sup>1</sup>	0.97
Time to cook standard load (mins.) <sup>1</sup>	50
Largest baking sheet area (cm <sup>2</sup> )	1290
Total connected loading (W)	29900
Cable length (cm)	120
Water tank capacity (L)	-
<b>STANDARD ACCESSORIES</b>	
Wire Shelves / Full width enamelled pan	2 / 1
Two-piece slim pan set	●
Fixed level telescopic shelves	-
Level Independent telescopic rail	-

● = yes - = no

<sup>1</sup>5 year warranty - Promotion dates 01.04.22 – 31.03.23. T&C's apply. Online registration required. Selected models only.

All models comply with COMMISSION REGULATION (EC) No 1275/2008 with regard to ecodesign requirements for standby and off mode electric power consumption.

All models comply with COMMISSION REGULATION (EC) No 1275/2008 with regard to ecodesign requirements for standby and off mode electric power consumption.

# Double ovens



OVEN TYPE	BUILT-IN DOUBLE		BUILT-IN DOUBLE		BUILT-IN DOUBLE	
DESIGN FAMILY	SERIE 6		SERIE 6		SERIE 6	
BRUSHED STEEL	MBA5785S6B		MBA5575S0B		MBA5350S0B	
BLACK	-		-		-	
WHITE	-		-		-	
KEY FEATURES	Main	2nd	Main	2nd	Main	2nd
Control dials / White LCD or Red LED Display	● / White	-	● / White	-	● / White	-
Electronic control	●	●	-	-	-	-
Automatic cooking programmes	30	-	10	-	10	-
Single-point temperature probe	●	-	●	-	-	-
Pyrolytic self cleaning function	●	●	-	-	-	-
ecoClean® back / roof / side surfaces	-	-	●	●	● / - / -	●
ADDITIONAL PROGRAMMES / FUNCTIONS	Main	2nd	Main	2nd	Main	2nd
3D Hotair	●	-	●	-	●	-
Hotair Gentle	●	-	●	-	●	-
Defrost	●	-	-	-	-	-
Pizza Setting	●	-	●	-	-	-
Conventional top & bottom heat / bottom heat only	●	●	●	●	● / -	●
Full width variable grill	●	●	●	●	●	●
Half width variable grill	-	●	-	●	-	●
Hotair grilling	●	-	●	-	●	-
Low temperature cooking	●	-	-	-	-	-
Keep warm	●	-	-	-	-	-
Fast heat	●	-	●	-	●	-
PERFORMANCE / TECHNICAL INFORMATION	Main	2nd	Main	2nd	Main	2nd
Oven capacity (L)	71	34	71	34	71	34
Energy efficiency index <sup>1</sup>	95.3	120.3	95.3	120.3	95.3	120.3
Energy efficiency class <sup>1</sup>	A	B	A	B	A	B
Energy consumption per cycle Hotair (kWh) <sup>1</sup>	0.81	-	0.81	-	0.81	-
Energy consumption per cycle conventional (kWh) <sup>1</sup>	1.02	0.83	1.02	0.83	1.02	0.83
Time to cook standard load (mins.) <sup>1</sup>	44	44	44	44	44	44
Largest baking sheet area (cm <sup>2</sup> )	1290		1290		1290	
Total connected loading (W)	6300		5900		5900	
STANDARD ACCESSORIES						
Wire Shelves / Full width enamelled pan	3 / 1		3 / 1		3 / 1	
Two-piece slim pan set	-		-		-	
Level Independent telescopic rail	1 Pair		1 Pair		1 Pair	
Two-piece slim pan set	-		-		-	

● = yes - = no

<sup>1</sup> According to Regulation (EU) No 65/2014 (models with integral microwave or steam only are exempt)

OVEN TYPE	BUILT-IN DOUBLE	
DESIGN FAMILY	SERIE 4	
BRUSHED STEEL	MBS533BS0B	
BLACK	MBS533BB0B	
WHITE	MBS533BW0B	
KEY FEATURES	Main	2nd
Control dials / White LCD or Red LED Display	● / Red	-
Electronic control	-	-
Automatic cooking programmes	-	-
Single-point temperature probe	-	-
Pyrolytic self cleaning function	-	-
ecoClean® back / roof / side surfaces	● / - / -	-
ADDITIONAL PROGRAMMES / FUNCTIONS	Main	2nd
3D Hotair	●	-
Hotair Gentle	●	-
Defrost	-	-
Pizza Setting	-	-
Conventional top & bottom heat / bottom heat only	● / -	● / -
Full width variable grill	●	●
Half width variable grill	-	●
Hotair grilling	●	-
Low temperature cooking	-	-
Keep warm	-	-
Fast heat	●	-
PERFORMANCE / TECHNICAL INFORMATION	Main	2nd
Oven capacity (L)	71	34
Energy efficiency index <sup>1</sup>	95.3	120.3
Energy efficiency class <sup>1</sup>	A	B
Energy consumption per cycle Hotair (kWh) <sup>1</sup>	0.81	-
Energy consumption per cycle conventional (kWh) <sup>1</sup>	1.02	0.83
Time to cook standard load (mins.) <sup>1</sup>	44	44
Largest baking sheet area (cm <sup>2</sup> )	1290	
Total connected loading (W)	5900	
STANDARD ACCESSORIES		
Wire Shelves / Full width enamelled pan	3 / 1	
Two-piece slim pan set	●	
Level Independent telescopic rail	-	
Two-piece slim pan set	2	

● = yes - = no

<sup>1</sup> According to Regulation (EU) No 65/2014 (models with integral microwave or steam only are exempt)

All models comply with COMMISSION REGULATION (EC) No 1275/2008 with regard to ecodesign requirements for standby and off mode electric power consumption.

# Built-under double ovens



OVEN TYPE	BUILT-UNDER DOUBLE	
DESIGN FAMILY	SERIE 4	
BRUSHED STEEL	NBS533BS0B	
BLACK	NBS533BB0B	
WHITE	-	
KEY FEATURES	Main	2nd
Control dials / White LCD or Red LED Display	● / Red	-
Electronic control	-	-
Automatic cooking programmes	-	-
Single-point temperature probe	-	-
Pyrolytic self cleaning function	-	-
ecoClean® back / roof / side surfaces	● / - / -	-
ADDITIONAL PROGRAMMES / FUNCTIONS	Main	2nd
3D Hotair	●	-
Hotair Gentle	●	-
Defrost	-	-
Pizza Setting	-	-
Conventional top & bottom heat / bottom heat only	● / -	● / -
Full width variable grill	●	●
Half width variable grill	-	●
Hotair grilling	●	-
Low temperature cooking	-	-
Keep warm	-	-
Fast heat	●	-
PERFORMANCE / TECHNICAL INFORMATION	Main	2nd
Oven capacity (L)	47	34
Energy efficiency index <sup>1</sup>	94.7	120.3
Energy efficiency class <sup>1</sup>	A	B
Energy consumption per cycle Hotair (kWh) <sup>1</sup>	0.71	-
Energy consumption per cycle conventional (kWh) <sup>1</sup>	0.80	0.83
Time to cook standard load (mins.) <sup>1</sup>	45	44
Largest baking sheet area (cm <sup>2</sup> )		1290
Total connected loading (W)		5300
STANDARD ACCESSORIES		
Wire Shelves / Full width enamelled pan		2 / 1
Two-piece slim pan set		●
Level Independent telescopic rail		-
Two-piece slim pan set		2

● = yes - = no

<sup>1</sup>According to Regulation (EU) No 65/2014 (models with integral microwave or steam only are exempt)

# Compact ovens



OVEN TYPE	MF OVEN WITH STEAM	
DESIGN FAMILY	SERIE 8	
BRUSHED STEEL	CSG656BS7B	
KEY FEATURES		
Control Wheel, TFT Touchdisplay & ClearText		●
Control Wheel, TFT Display		-
Control dials / White LCD or Red LED Display		-
Electronic control		●
SoftClose / SoftOpen drop down door		●
Home Connect		●
BoschAssist		-
Automatic cooking programmes		-
Pyrolytic self cleaning function		-
ecoClean® back / roof / side surfaces		●
PROGRAMMES / FUNCTIONS		
Hotair		●
Hotair Gentle		●
Conventional top & bottom heat / Bottom heat only		●
Hotair grilling		●
Full / half width variable grill		●
Pizza Setting		●
Low temperature cooking		●
Keep warm / Plate warming		●
Microwave		-
Microwave combined with Hotair, Top & bottom heat, Hotair Grilling, Grill		-
Microwave combined with Hotair / Grill		-
Microwave combined with Hotair Grilling		-
100% Steam		●
Added Steam option		●
Fast heat		●
PERFORMANCE / TECHNICAL INFORMATION		
Oven capacity (L)		47
Energy efficiency index <sup>1</sup>		81.3
Energy efficiency class <sup>1</sup>		A+
Energy consumption per cycle Hotair (kWh) <sup>1</sup>		0.61
Energy consumption per cycle conventional (kWh) <sup>1</sup>		0.79
Time to cook standard load (mins.) <sup>1</sup>		42
Largest baking sheet area (cm <sup>2</sup> )		1290
Installation in tall housing / under work surface		●
Inverter technology <sup>2</sup>		-
Maximum Microwave Power in W3 / No. of power levels		-
Turntable diameter (mm)		-
Total connected loading (W)		3300
Cable length (cm)		120
Water tank capacity (L)		1
STANDARD ACCESSORIES		
Wire Shelves / Full width enamelled pan		1 / 1
Steam trays		3

● = yes - = no

<sup>1</sup>According to Regulation (EU) No 65/2014 (models with integral microwave or steam only are exempt)<sup>2</sup>For further information on inverter technology, please go to [https://media3.bosch-home.com/Documents/MCDOC03402966\\_BOSCH\\_microwave\\_details\\_19.pdf](https://media3.bosch-home.com/Documents/MCDOC03402966_BOSCH_microwave_details_19.pdf)

For Inverter models, the maximum setting offers a time limited boost option for heating liquids. To ensure optimal results and to protect the appliance, the microwave power output is reduced in stages over the first few minutes down to the next power level (600W). After a cooling period, the microwave boost option will be available once more.



# Compact ovens



OVEN TYPE	MF PYROLYTIC OVEN WITH MICROWAVE	MF OVEN WITH MICROWAVE	MF OVEN WITH MICROWAVE
DESIGN FAMILY	SERIE 8	SERIE 8	SERIE 8
BRUSHED STEEL	CMG676BS6B	CMG656BS6B	CMG633BS1B
BLACK	-	CMG656BB6B	CMG633BB1B
<b>KEY FEATURES</b>			
Control Wheel, TFT Touchdisplay & ClearText	●	●	-
Control Wheel, TFT Display	-	-	●
Control dials / White LCD or Red LED Display	-	-	-
Electronic control	●	●	●
SoftClose / SoftOpen drop down door	●	●	●
Home Connect	●	●	-
BoschAssist	●	●	-
Automatic cooking programmes	-	-	14
Pyrolytic self cleaning function	●	-	-
ecoClean® back / roof / side surfaces	-	●	-
<b>PROGRAMMES / FUNCTIONS</b>			
Hotair	●	●	●
Hotair Gentle	●	●	●
Conventional top & bottom heat / Bottom heat only	●	●	- / -
Hotair grilling	●	●	●
Full / half width variable grill	●	●	●
Pizza Setting	●	●	-
Low temperature cooking	●	●	-
Keep warm / Plate warming	●	●	● / -
Microwave	●	●	●
Microwave combined with Hotair, Top & bottom heat, Hotair Grilling, Grill	●	●	-
Microwave combined with Hotair / Grill	●	-	● / -
Microwave combined with Hotair Grilling	-	-	●
100% steam	-	-	-
Added Steam option	-	-	-
Fast heat	-	●	●
<b>PERFORMANCE / TECHNICAL INFORMATION</b>			
Oven capacity (L)	45	45	45
Energy efficiency index <sup>1</sup>	-	-	-
Energy efficiency class <sup>1</sup>	-	-	-
Energy consumption per cycle Hotair (kWh) <sup>1</sup>	-	-	-
Energy consumption per cycle conventional (kWh) <sup>1</sup>	-	-	-
Time to cook standard load (mins.) <sup>1</sup>	-	-	-
Largest baking sheet area (cm <sup>2</sup> )	1290	1290	1290
Installation in tall housing / under work surface	●	●	●
Inverter technology <sup>2</sup>	●	●	●
Maximum Microwave Power in W3 / No. of power levels	900 / 5	900 / 5	900 / 5
Turntable diameter (mm)	-	-	-
Total connected loading (W)	3650	3650	3650
Cable length (cm)	120	120	120
Water tank capacity (L)	-	-	-
<b>STANDARD ACCESSORIES</b>			
Wire Shelves / Full width enamelled pan	1 / 1	2 / 1	1 / 1
Steam trays	-	-	-

● = yes - = no

<sup>1</sup> Measured according to the EN50304, 65/2014<sup>2</sup> For further information on inverter technology, please go to [www.bosch-home.co.ukhttps://media3.bosch-home.com/Documents/MCDOC03402966\\_BOSCH\\_microwave\\_details\\_19.pdf](https://media3.bosch-home.com/Documents/MCDOC03402966_BOSCH_microwave_details_19.pdf)

For Inverter models, the maximum setting offers a time limited boost option for heating liquids. To ensure optimal results and to protect the appliance, the microwave power output is reduced in stages over the first few minutes down to the next power level (600W). After a cooling period, the microwave boost option will be available once more.

Ovens with integral microwave – When teamed with a single oven, Bosch compact ovens with microwave offer a great alternative to a double oven if you require more space for traditional cooking. Designed first and foremost to function as an oven, with construction, features and functions identical to a traditional single oven, these models benefit from the addition of microwaves at low medium power (max 360W) to deliver oven-led combination cooking, which speeds up the cooking process while retaining traditional cooking results.

Microwave Combination Ovens – These models are designed to provide more functionality than a solo microwave oven, focussing on combination cooking, with the microwave using higher power (max. 600W) to lead the cooking process, supported by Hotair or grill functions to deliver speedy crisp and browned results. Based around a more traditional microwave functionality these models offer the perfect solution if regular microwave heating is the priority, but with the back-up of separate or combination Hotair cooking and grill functionality if required. These models are designed to operate best in combination mode, so when heating using microwave only, it may be necessary to adjust cooking times.

OVEN TYPE	MW COMBINATION OVEN	MW COMBINATION OVEN	MICROWAVE
DESIGN FAMILY	SERIE 6	SERIE 4	SERIE 8
BRUSHED STEEL	-	CMA583MS0B	CFA634GS1B
BLACK	CMA585GB0B	CMA583MB0B	-
<b>KEY FEATURES</b>			
Control Wheel, TFT Touchdisplay & ClearText	-	-	-
Control Wheel, TFT Display	-	-	●
Control dials / White LCD or Red LED Display	● / Red	● / Red	-
Electronic control	●	●	●
SoftClose / SoftOpen drop down door	●	-	-
Home Connect	-	-	-
BoschAssist	-	-	-
Automatic cooking programmes	15	15	7
Pyrolytic self cleaning function	-	-	-
ecoClean® back / roof / side surfaces	-	-	-
<b>PROGRAMMES / FUNCTIONS</b>			
Hotair	●	●	-
Hotair Gentle	-	-	-
Conventional top & bottom heat / Bottom heat only	-	-	-
Hotair grilling	●	●	-
Full / half width variable grill	● / -	● / -	-
Pizza Setting	-	●	-
Low temperature cooking	-	-	-
Keep warm / Plate warming	●	-	-
Microwave	●	●	●
Microwave combined with Hotair, Top & bottom heat, Hotair Grilling, Grill	-	-	-
Microwave combined with Hotair / Grill	●	●	-
Microwave combined with Hotair Grilling	●	-	-
100% steam	-	-	-
Added Steam option	-	-	-
Fast heat	-	●	-
<b>PERFORMANCE / TECHNICAL INFORMATION</b>			
Oven capacity (L)	44	44	36
Energy efficiency index <sup>1</sup>	-	-	-
Energy efficiency class <sup>1</sup>	-	-	-
Energy consumption per cycle Hotair (kWh) <sup>1</sup>	-	-	-
Energy consumption per cycle conventional (kWh) <sup>1</sup>	-	-	-
Time to cook standard load (mins.) <sup>1</sup>	-	-	-
Largest baking sheet area (cm <sup>2</sup> )	-	-	1290
Installation in tall housing / under work surface	●	●	●
Inverter technology <sup>2</sup>	-	-	●
Maximum Microwave Power in W3 / No. of power levels	900 / 5	900 / 5	900 / 5
Turntable diameter (mm)	-	360	-
Total connected loading (W)	3350.120	3350	3650
Cable length (cm)	180	180	120
Water tank capacity (L)	-	-	-
<b>STANDARD ACCESSORIES</b>			
Wire Shelves / Full width enamelled pan	Wire Rack	2 wire racks	- / Glass tray
Steam trays	-	-	-

● = yes - = no



# Microwave ovens



OVEN TYPE	MICROWAVE WITH GRILL	MICROWAVE	MICROWAVE	MICROWAVE
DESIGN FAMILY	SERIE 8	SERIE 8	SERIE 6	SERIE 6
BRUSHED STEEL	BEL634GS1B	BFL634GS1B	-	-
BLACK	-	BFL634GB1B	BFL554MBOB	BFL524MBOB
WHITE	-	-	-	-
<b>KEY FEATURES</b>				
Control Wheel, TFT Display	●	●	-	-
Control dials / White LCD or Red LED Display	-	-	● / Red	● / Red
Stainless steel interior	●	●	●	●
Left hinged door	●	●	●	●
Electronic	●	●	●	●
Automatic programmes	10	7	7	7
Electronic door opening	●	●	-	-
Memory function	-	-	-	-
Microwave	●	●	●	●
Quartz grill	●	-	-	-
Microwave and Grill Combination operation	●	-	-	-
<b>PERFORMANCE / TECHNICAL INFORMATION</b>				
Useable oven capacity (L)	21	21	25	20
Inverter technology <sup>1</sup>	●	●	-	-
Maximum microwave power (W) <sup>2</sup>	900	900	900	800
Number of microwave power levels	5	5	5	5
Microwave distribution	Stirrer	Stirrer	Turntable	Turntable
Turntable diameter (mm)	-	-	315	255
Total connected loading (W)	1990	1220	1450	1270
Cable length (cm)	150	150	130	130
GB plug	●	●	●	●
Installation in tall housing	●	●	●	●
Installation 60cm wide wall unit	●	●	-	●
Installation 50cm wide wall unit	-	-	-	-
<b>STANDARD ACCESSORIES</b>				
Glass pan	1	-	1	1
Wire rack	1	-	-	-

<sup>1</sup> For further information on inverter technology, please go to [https://media3.bosch-home.com/Documents/MCO003402966\\_BOSCH\\_microwave\\_details\\_19.pdf](https://media3.bosch-home.com/Documents/MCO003402966_BOSCH_microwave_details_19.pdf)

<sup>2</sup> For Inverter models, the maximum setting offers a time limited boost option for heating liquids. To ensure optimal results and to protect the appliance, the microwave power output is reduced in stages over the first few minutes down to the next power level (600W). After a cooling period, the microwave boost option will be available once more.

Ovens with integral microwave – When teamed with a single oven, Bosch compact ovens with microwave offer a great alternative to a double oven if you require more space for traditional cooking. Designed first and foremost to function as an oven, with construction, features and functions identical to a traditional single oven, these models benefit from the addition of microwaves at low medium power (max 360W) to deliver oven-led combination cooking, which speeds up the cooking process while retaining traditional cooking results.  
 Microwave Combination Ovens – These models are designed to provide more functionality than a solo microwave oven, focussing on combination cooking, with the microwave using higher power (max. 600W) to lead the cooking process, supported by Hotair or grill functions to deliver speedy crisp and browned results. Based around a more traditional microwave functionality these models offer the perfect solution if regular microwave heating is the priority, but with the back-up of separate or combination Hotair cooking and grill functionality if required. These models are designed to operate best in combination mode, so when heating using microwave only, it may be necessary to adjust cooking times.

MICROWAVE WITH GRILL	MICROWAVE	MICROWAVE WITH GRILL	MICROWAVE	MICROWAVE
SERIE 4	SERIE 4	SERIE 4	SERIE 4	SERIE 2
BEL553MS0B	BFL553MS0B	BEL523MS0B	BFL523MS0B	-
-	BFL553MBOB	-	BFL523MBOB	BFL523MS3B
-	-	-	BFL523MW0B	-
-	-	-	-	-
● / Red	● / Red	● / Red	● / Red	● / Red
●	●	●	●	●
●	●	●	●	●
●	●	●	●	-
8	7	8	7	7
●	●	●	●	-
1	1	1	1	1
●	●	●	●	●
●	-	●	-	-
●	-	●	-	-
-	-	-	-	-
-	-	-	-	●
-	-	-	-	-
-	-	1	-	-

All models comply with COMMISSION REGULATION (EC) No 1275/2008 with regard to ecodesign requirements for standby and off mode electric power consumption.

# Warming drawers



OVEN TYPE	WARMING DRAWER	WARMING DRAWER	WARMING DRAWER
DESIGN FAMILY	SERIE 8	SERIE 8	SERIE 6/4
BRUSHED STEEL	BID630NS1B	BIC630NS1B	BIC510NS0B
BLACK	-	BIC630NB1B	BIC510NB0
<b>KEY FEATURES</b>			
Keep warm	●	●	●
Plate warming	●	●	●
Defrost	●	●	●
Low temperature cooking	●	●	-
Operating indicator light	Red	Red	Red
Electronic control	●	●	-
Rotary temperature control dial	●	●	●
Number of settings	4	4	3
Maximum temperature (°C)	80	80	80
Minimum temperature (°C)	40	40	40
Maximum loading (plates)	40	12	14
Maximum loading (espresso cups)	192	64	64
Toughened glass drawer base	●	●	-
Anti slip mat	-	-	●
Push-Pull opening mechanism	●	●	●
<b>PERFORMANCE / TECHNICAL INFORMATION</b>			
Drawer interior volume (L)	52	20	23
Maximum weight capacity (kg)	25	25	15
Install independently	●	●	●
Install with a compact appliance	Serie 8	Serie 8	Serie 6/4
Install with a single oven	Serie 8	Serie 8	Serie 6/4
Installation in a tall housing	●	●	●
Installation under work surface	●	●	●
Nominal voltage (V)	220-240	220-240	220-240
Total connected loading (W)	810	810	400
Cable length (cm)	150	150	150
GB plug	●	●	●

● = Yes - - No

All models comply with COMMISSION REGULATION (EC) No 1275/2008 with regard to ecodesign requirements for standby and off mode electric power consumption.

# Smart Coffee Centre.

## Your very own barista.

When you take your coffee seriously, your coffee machine needs to be seriously impressive. With the Bosch Home Connect Coffee Centre, you get your very own virtual barista, skilled at producing delicious coffees from all over the world.

Using CoffeeWorld, built into the Home Connect app, you are able to create almost twenty superb drinks and international favourites at the touch of a button. Your kitchen becomes your new favourite coffee shop.

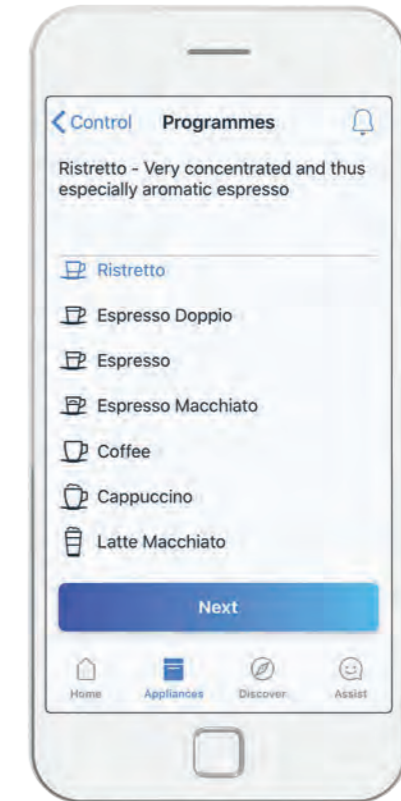
## Playlist.

Making drinks for lots of people? There's no need to memorise the list. Simply use the Home Connect app Coffee Playlist feature and get everyone to select their favourite drink.

Home Connect



Your coffee machine will make them all, one by one, at your command. You can even add selections from the CoffeeWorld feature for added luxury.



## Your coffee, your way.

Replicating your perfect cup of coffee can sometimes feel impossible. Home Connect now makes getting the perfect coffee easier than ever. Simply save your favourite coffee creation in the Home Connect app. Then sit back and let the machine take over. Treat yourself to the cup of coffee you know and love.

## Serie 8



Pair with a Bosch warming drawer for seamless design next to a full-sized single oven.

OVEN TYPE	COFFEE CENTRE
DESIGN FAMILY	SERIE 8
MODEL	CTL636E56
<b>KEY FEATURES</b>	
Control Wheel, TFT Display	Stainless steel
Home Connect	●
Electronic control	●
SensoFlow System	●
Aroma pressure system	●
Auto Valve System	●
Ceramic coffee grinders	●
Multilevel grinding setting	●
Cup illumination	●
Height adjustable milk / coffee outlet (mm)	7-15
Adjustable automatic switch off setting	●
Integrated water filter	●
<b>PROGRAMMES / FUNCTIONS</b>	
Personalised milk beverage, milk foam, hot water, warm milk, ristretto, coffee, espresso, cappuccino, latte macchiato, cafe latte, espresso macchiato	1 or 2 cup
One touch function for milk drinks	●
Coffee / hot Water temperature options	3 / 4
Milk foam/frothing function	●
Hot Milk function	●
Cleaning / de-scaling / combined programmes	●
Automatic rinse when switched on/off	●
<b>PERFORMANCE / TECHNICAL INFORMATION</b>	
Installation in a tall housing	950-1450mm high
Left hinged door to access interior	●
Insulated Milk container capacity (L)	0.5
Brewing chamber volume (g)	8-12
Bean container	500
Ground coffee container	●
Water tank capacity (L)	2.4
Total connected loading (W)	1600
Cable length (in cm)	170

● = Yes - - No

# Introducing the Bosch electric hob range.

As you would expect from Bosch, all our electric hobs are made using high quality materials, are easy to use and add contemporary elegance to any kitchen.

To help you choose the right electric hob for your home we have divided them into the three ranges below.



## Serie 8

Our **Serie 8** range of electric hobs combines convenience and elegant design, allowing you to select individual cooking zones and power levels. All controlled at just the touch of a button with the modern touch control, TFT or DirectSelect Premium control.

## Serie 6

Expect excellent operation and timeless designs with our **Serie 6** range of hobs. You'll get premium engineering and materials, so that you can always cook something a little bit special. Get ultimate control with the easy to use DirectSelect touch control.

## Serie 4

Featuring a range of **Serie 4** electric hobs that are convenient and simple to operate, our essential range maintains classic design with contemporary style.

Model shown: PXY875KW1E

Whichever model you choose from our Serie ranges, you'll find lots of reasons to love your Bosch electric hob.



### Faster cooking, reduced energy consumption.

Induction hobs generate heat only where it is needed – in the base of the pan. What does this mean for you? More safety and convenience. The lower temperature keeps both big and little hands, safe from burning. Not only that, but an induction hob brings water to boil much faster than a glass-ceramic hob, which also saves a great deal of energy.

### Express cooking.

Induction cooking with a turbo boost. The **Boost function** allows you to increase the power of the cooking zone by up to 50% - perfect for large pots and pans or when you're in a hurry.

### Easy to clean.

**Automatic pan recognition** only heats up the base of the pan and not the rest of the zone, which doesn't waste energy and leaves the rest of the hob cool to touch. Keeping the hob cooler makes it safer and also prevents spillages from burning on so it's easy to clean.

### Clean up in an instant.

In case of any spills, simply select the **Freeze function** which freezes all the heat settings so you can thoroughly wipe and clean the hob surface. To restore the previous heat settings simply touch the button again!



Model shown: PXV851FC1E

Making **life easy** through innovative technologies

# Cooking that's designed around you.

# Perfect results every time.

## Even more flexibility.

Available on selected **Serie 8 FlexInduction** hobs, the **Extended FlexInduction zone** offers optimum flexibility. The amount of usable surface on the hob is maximised to accommodate even the largest of cookware, including griddle plates and Teppan Yaki. With **CombiZone**, two cooking zones can be linked, making the switch from small to large pans effortless. Plus, the **MoveMode function** automatically switches from boil to simmer with a simple slide of the saucepan.

## TFT Display.

Clear text and pictures allow simple operation of the integrated touch display.

## More control at your fingertips.



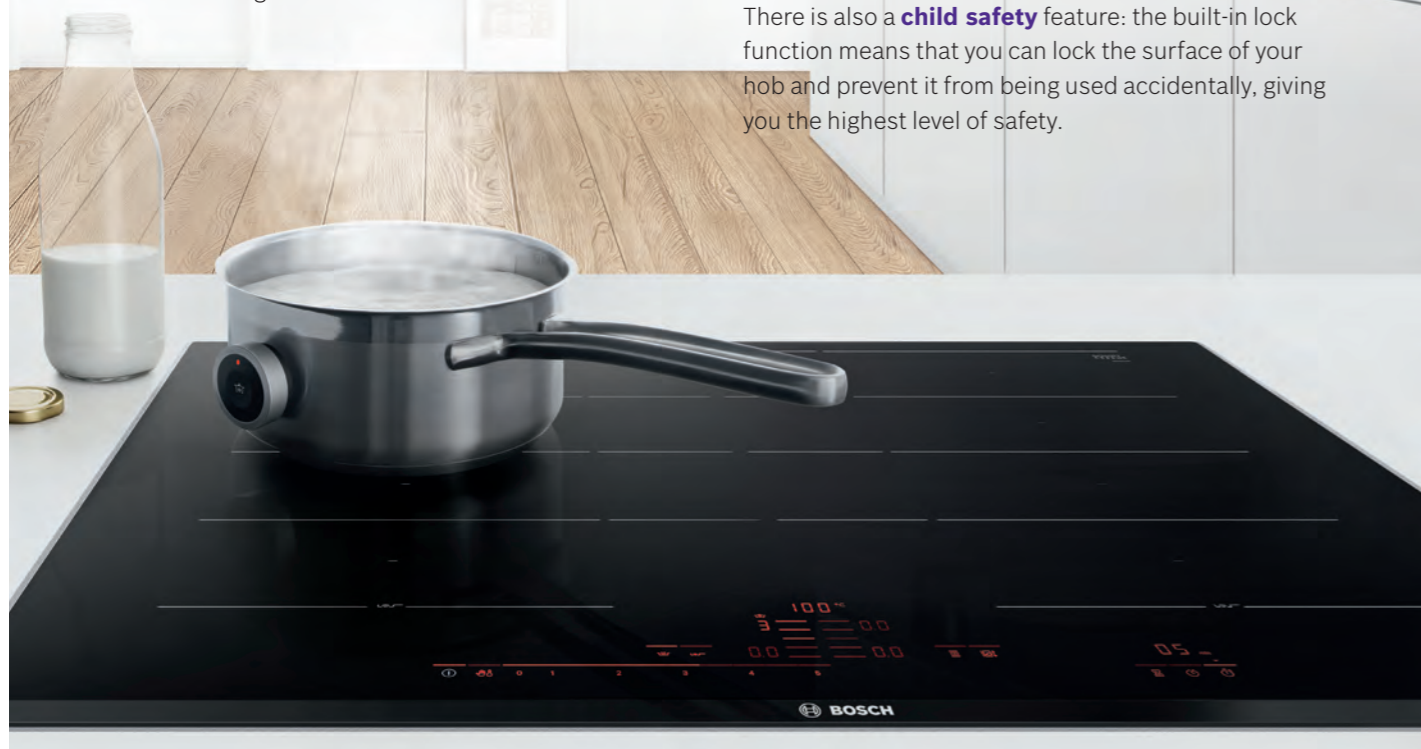
Set the correct temperature with a single touch thanks to **DirectSelect**.

No more scrolling up or down, just simply press one button to select the right heat level. Models with **DirectSelect Premium** touch controls feature an additional minimum temperature setting giving you added cooking control.

## Cooking with induction is not just quick, safe and clean.

Cooking with induction is safer than all other alternatives. As only the base of the pan is heated and not the entire hob, this will be warm to touch but should not burn.

There is also a **child safety** feature: the built-in lock function means that you can lock the surface of your hob and prevent it from being used accidentally, giving you the highest level of safety.



## PerfectCook

May your pasta never boil over again. Our hobs are designed with a sensor so you'll be able to control your cooking by the temperature in the pan rather than the power level. So whether you're defrosting, warming up, cooking or deep fat frying, you're in control with our smart **CookingSensor**, which easily attaches to the side of your induction pot. Precise temperature control gives you perfect cooking results.

This feature requires the additional purchase of a **CookingSensor** to operate.

Available from [www.bosch-home.co.uk/store](http://www.bosch-home.co.uk/store).

## PerfectFry

Enjoy perfectly cooked steak, however you like it. Our clever **FryingSensor** measures the temperature in the pan for perfect results. So when you're reducing a sauce, the heat will be low and gentle, and when you want a high heat for frying a steak, you'll have precisely the right temperature. Say goodbye to overcooking and undercooking your favourite meals.



# Venting hobs

The best of our hobs and cooker hoods. Combined perfectly in just a single appliance.

## Serie 8

PXX875D67E



## Serie 6

PVQ731F15E



## Serie 4

PIE811B15E



PIE611B15E



TYPE	FLEX INDUCTION	FLEX INDUCTION	FLEX INDUCTION	FLEX INDUCTION
SERIE	SERIE 8	SERIE 6	SERIE 4	SERIE 4
MODEL NUMBER	PXX875D67E	PVQ731F15E	PIE811B15E	PIE611B15E
Width in mm	816	710	802	592
Control position	Front	Front	Front	Front
Control type	DirectSelect Premium	DirectSelect	TouchSelect	TouchSelect
Style	Comfort Profile	Front Bevel	Front Bevel	Front Bevel
<b>KEY FEATURES</b>				
Home Connect	●	-	-	-
Integrated extractor	●	●	●	●
PerfectCook temperature sensor ready	HEZ39050 required	-	-	-
PerfectFry Sensor settings for hob	5 settings	-	-	-
Automatic extraction	Fully sensor based	Auto-On	Auto-On	Auto-On
Number of FlexInduction zones	2	-	-	-
Number of Combi Induction zones	-	2: Left & Right	-	-
<b>HOB FEATURES</b>				
Number of individual zones	4	4	4	4
Power levels	17	17	17	17
PowerBoost	●	●	●	●
PanBoost	●	-	-	-
MoveMode	3 stages	2 stages	-	-
Energy Consumption Display	●	●	-	-
Keep warm function	●	-	-	-
QuickStart	●	●	●	●
Automatic setting transfer	●	-	-	-
ReStart	●	●	●	●
Demo Mode	●	-	-	-
Dish Categories/ Setting Recommendations	●	-	-	-
Wipe protection function	●	●	●	●
<b>SAFETY FEATURES</b>				
Residual Heat Indicator	●	●	●	●
Childproof Lock	●	●	●	●
Countdown timer	●	●	●	●
Safety Time Switch off	●	●	●	●
Pan recognition	●	●	●	●
Count up Timer	●	-	-	-
Main on/off switch	●	-	-	-
<b>HOOD FEATURES</b>				
PerfectAir Sensor	●	-	-	-
Metal grease filter	●	●	●	●
Power levels	17 + 2 Intensive	9 + 2 Intensive	3 + 1 Intensive	3 + 1 Intensive
Automatic intensive revert setting	6 minutes	6 minutes	6 minutes	6 minutes
Automatic or manual control	●	●	●	●
Automatic after running: Extraction / Recirculation	12 / 30 minutes	12 / 30 minutes	12 / 30 minutes	12 / 30 minutes
Interval operation	●	●	●	●
Dishwasher safe grease filter cassette with spillage collection	Yes - 200ml capacity	Yes - 200ml capacity	Yes - 200ml capacity	Yes - 200ml capacity
Dishwasher safe spillage overflow collector	700ml capacity	700ml capacity	700ml capacity	700ml capacity
Electronic grease filter / cleanAir filter saturation indicators	●	●	●	●
<b>PERFORMANCE / TECHNICAL INFORMATION - HOB</b>				
Nominal voltage (V)	220-240	220-240	220-240	220-240
Maximum power output (W)	7,400	7,400	7,400	7,400
Electrical cable length (cm)	110	110	110	110
Rear left zone - power (kW) / dimensions (mm)	2.20 200x240	2.20 190x190	1.40 180x180	1.80 150x150
Rear right zone - power (kW) / dimensions (mm)	2.20 200x240	2.20 190x190	1.40 180x180	1.80 150x150
Front left zone - power (kW) / dimensions (mm)	2.20 200x240	2.20 210x210	2.20 210x210	2.20 210x210
Front right zone - power (kW) / dimensions (mm)	2.20 200x240	2.20 210x210	2.20 210x210	2.20 210x210
FlexInduction Zone left - power (kW) / dimensions (mm)	3.30 400x240	-	-	-
FlexInduction Zone right - power (kW) / dimensions (mm)	3.30 400x240	-	-	-
CombiZone left - power (kW) / dimensions (mm)	-	3.60 380x210	-	-
CombiZone right - power (kW) / dimensions (mm)	-	3.60 380x210	-	-
Rear left zone - with powerBoost (max. kW)	3.70	3.70	2.20	3.10
Rear right zone - with powerBoost (max. kW)	3.70	3.70	2.20	3.10
Front left zone - with powerBoost (max. kW)	3.70	3.70	3.70	3.70
Front right zone - with powerBoost (max. kW)	3.70	3.70	3.70	3.70
<b>PERFORMANCE / TECHNICAL INFORMATION - EXTRACTOR</b>				
Extractor Energy Efficiency Rating	B	B	B	B
Extraction rate in m <sup>3</sup> /h <sup>(1,2)</sup>	-	-	-	-
- Ducted / Recirculating power level Minimum	154 / 150	153 / 161	169 / 181	169 / 181
- Ducted / Recirculating power level Maximum	500 / 500	507 / 509	551 / 594	551 / 594
- Ducted / Recirculating power level Intensive	622 / 615	623 / 615	684 / 722	684 / 722
Noise level (sound power) based on dB(A) re 1 pW <sup>(1,4)</sup>	-	-	-	-
- Ducted / Recirculating power level Minimum	42 / 41	42 / 41	49 / 47	49 / 47
- Ducted / Recirculating power level Maximum	69 / 68	70 / 68	58 / 57	58 / 57
- Ducted / Recirculating power level Intensive	74 / 72	74 / 72	72 / 70	72 / 70
Motor power (W)	170	170	170	170
<b>OPTIONAL ACCESSORIES</b>				
Wireless temperature sensor	HEZ39050	-	-	-
Set of three pans	HEZ9SE030	HEZ9SE030	HEZ9SE030	HEZ9SE030
Rectangular roasting pan with lid (approx. 320x200mm)	HEZ390011	HEZ390011	-	-
Steamer pan insert of use with HEZ390011 roasting pan	HEZ390012	HEZ390012	-	-
Teppan Yaki (approx. 400x200mm)	HEZ390512	-	-	-
Griddle plate (approx. 400x200mm)	HEZ390522	-	-	-
Ducted operation using accessory kit	HEZ9VEDUO	HEZ9VEDUO	HEZ9VEDUO	HEZ9VEDUO
Replacement recirculation filters	HEZ9VRCRO	HEZ9VRCRO	HEZ9VRCRO	HEZ9VRCRO
Diffuser required for ducted recirculation	HEZ9VRPD1	HEZ9VRPD1	HEZ9VRPD1	HEZ9VRPD1
Ducted recirculation starter kit for min. 60cm deep worktops.	HEZ9VDKR1	HEZ9VDKR1	HEZ9VDKR1	HEZ9VDKR1
Ducted recirculation starter kit for min. 70cm deep worktops.	HEZ9VDKRO	HEZ9VDKRO	HEZ9VDKRO	HEZ9VDKRO

● = Yes - = No  
 1 Power automatically reverts back to normal setting after intensive.  
 2 A type of recirculating kit is required if recirculating.  
 3 Measured according to EN61591 on largest pipe diameter.  
 Refer to page 122 to read more about the installation process.

# Venting hobs

## The Perfect combination.

To allow you more freedom and flexibility in designing your kitchen, we've developed hobs with an integrated ventilation module. These hobs combine the latest technologies of our induction hobs and cooker hoods in a single appliance. The integrated ventilation module extracts steam and odours at their source.

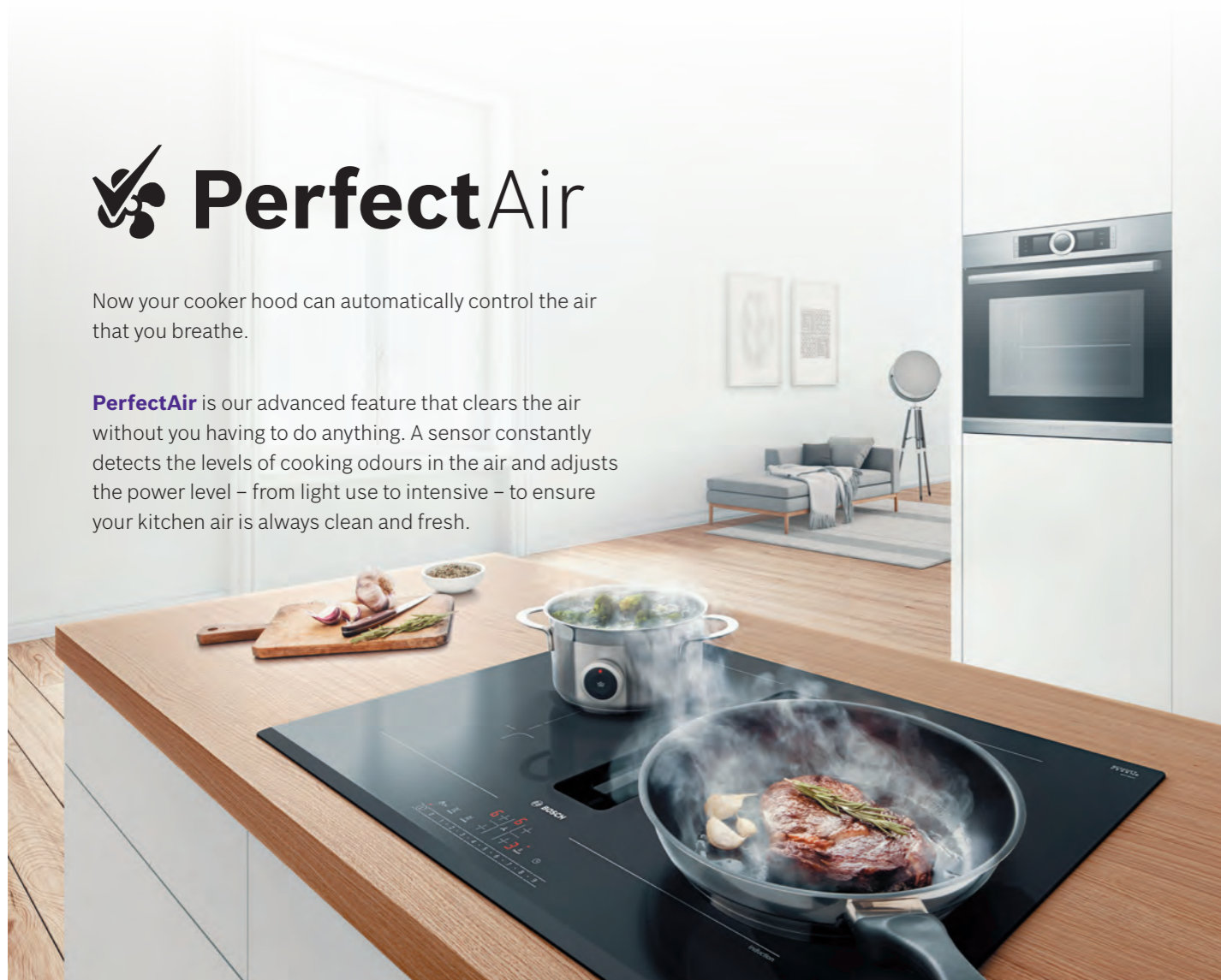
The **Serie 8 PerfectAir** venting hob removes odours from the source, leading to fewer cooking smells in the kitchen. It can be easily installed into the work surface to suit any kitchen design and has the added convenience of being easy to clean. Thanks to the **PerfectFry** sensor and **PerfectCook** sensor on the hob, you can achieve perfect results whether you're frying or boiling.

For more information on types of installation for Venting Hobs, please see pages 116 & 117.

## PerfectAir

Now your cooker hood can automatically control the air that you breathe.

**PerfectAir** is our advanced feature that clears the air without you having to do anything. A sensor constantly detects the levels of cooking odours in the air and adjusts the power level – from light use to intensive – to ensure your kitchen air is always clean and fresh.



# Induction hobs

## Serie 8

PXX975KW1E



**TFT-touchdisplay:** Clear text and pictures allow simple operation of the integrated touch display.

**Assist:** Automatic setting of the ideal power level recommendation and cooking time for countless dishes.

**FlexInduction Zone:** Get more flexibility by combining the cooking zones into one big zone for placing small pots and large cookware.

**Home Connect:** Connected home appliances for an easier everyday life.

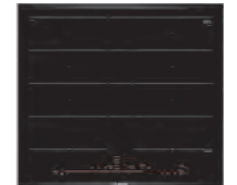
**Hob-Hood Control:** Convenient operation of the hood via your hob (with matching hood).

TYPE	FLEX INDUCTION	
DESIGN FAMILY	SERIE 8	
MODEL NUMBER	PXX975KW1E	
Width in mm	916	
Control position	Front	
Control type	Full Touch Display	
Style	Comfort Profile	
KEY FEATURES		
Home Connect	●	
Hob Hood Control	●	
PerfectCook temperature sensor ready	HEZ39050 required	
PerfectFry Sensor settings	5 settings	
Extended FlexInduction Zone	-	
Number of FlexInduction Zones	3	
Number of CombiZones	-	
HOB FEATURES		
Number of individual zones	5	
Cooking Levels	17	
PowerBoost	●	
PanBoost	●	
MoveMode	3-steps	
Energy Consumption Display	●	
Keep Warm Function	●	
Quick Start Function	●	
Automatic setting transfer	●	
Restart Function	●	
Demo Mode	●	
Dish Categories/ Setting Recommendations	●	
Wipe Protection Function	●	
*Plug&Play* with GB Plug	-	
SAFETY FEATURES		
Residual Heat Indicator	●	
Childproof Lock	●	
Countdown timer	●	
Safety Time Switch off	●	
Pan recognition	●	
Quick Stop	-	
Count up Timer	●	
Main on/off switch	●	
PERFORMANCE / TECHNICAL INFORMATION		
Maximum power output (kW)	11,100	
Nominal voltage (V)	220-240	
Electrical cable length (cm)	110	
Rear left FlexInduction zone - power (kW) / dimensions (mm)	2.20	200x240
Rear left zone - power (kW) / diameter (mm)	-	-
Rear right FlexInduction zone - power (kW) / dimensions (mm)	2.20	200x240
Rear right zone - power (kW) / diameter (mm)	-	-
Rear centre zone - power (kW) / diameter (mm)	2.60	300x240
Front centre zone - power (kW) / diameter (mm)	-	-
Front left FlexInduction zone - power (kW) / dimensions (mm)	2.20	200x240
Front left zone - power (kW) / diameter (mm)	-	-
Front right FlexInduction zone - power (kW) / dimensions (mm)	2.20	200x240
Front right zone - power (kW) / diameter (mm)	-	-
FlexInduction zone left - power (kW) / dimensions (mm)	3.30	400x240
FlexInduction zone right - power (kW) / dimensions (mm)	3.30	400x240
Extended FlexInduction rear left - power (kW) / dimensions (mm)	-	-
Extended FlexInduction rear right - power (kW) / dimensions (mm)	-	-
CombiZone left - power (kW) / dimensions (mm)	-	-
CombiZone right - power (kW) / dimensions (mm)	-	-
Rear left zone - with powerBoost (max. kW)	3.70	
Rear right zone - with powerBoost (max. kW)	3.70	
Rear centre zone - with powerBoost (max. kW)	3.70	
Front left zone - with powerBoost (max. kW)	3.70	
Front right zone - with powerBoost (max. kW)	3.70	

● = Yes - = No



Explore more at [bosch-home.co.uk](http://bosch-home.co.uk) / [bosch-home.ie](http://bosch-home.ie)



TYPE	FLEX INDUCTION	FLEX INDUCTION	FLEX INDUCTION
DESIGN FAMILY	SERIE 8	SERIE 8	SERIE 8
MODEL NUMBER	PXY875KW1E	PXV875DV1E	PXX675DV1E
Width in mm	816	816	606
Control position	Front	Front	Front
Control type	Full Touch Display	DirectSelect Premium	DirectSelect Premium
Style	Comfort Profile	Comfort Profile	Comfort Profile
KEY FEATURES			
Home Connect	●	●	●
Hob Hood Control	●	●	●
PerfectCook temperature sensor ready	HEZ39050 required	-	-
PerfectFry Sensor settings	5 settings	5 settings	5 settings
Extended FlexInduction Zone	-	-	-
Number of FlexInduction Zones	2	1	2
Number of CombiZones	-	-	-
HOB FEATURES			
Number of individual zones	4	5	4
Cooking Levels	17	17	17
PowerBoost	●	●	●
PanBoost	●	●	●
MoveMode	3-steps	3-steps	3-steps
Energy Consumption Display	●	●	●
Keep Warm Function	●	●	●
Quick Start Function	●	●	●
Automatic setting transfer	●	-	-
Restart Function	●	-	-
Demo Mode	●	●	●
Dish Categories/ Setting Recommendations	●	-	-
Wipe Protection Function	●	●	●
*Plug&Play* with GB Plug	-	-	-
SAFETY FEATURES			
Residual Heat Indicator	●	●	●
Childproof Lock	●	●	●
Countdown timer	●	●	●
Safety Time Switch off	●	●	●
Pan recognition	●	●	●
Quick Stop	-	-	-
Count up Timer	●	●	●
Main on/off switch	●	●	●
PERFORMANCE / TECHNICAL INFORMATION			
Maximum power output (kW)	7,400	7,400	7,400
Nominal voltage (V)	220-240	220-240	220-240
Electrical cable length (cm)	110	110	110
Rear left FlexInduction zone - power (kW) / dimensions (mm)	2.20	200x230	-
Rear left zone - power (kW) / diameter (mm)	-	-	1.40
Rear right FlexInduction zone - power (kW) / dimensions (mm)	2.20	200x230	2.20
Rear right zone - power (kW) / diameter (mm)	-	-	-
Rear centre zone - power (kW) / diameter (mm)	-	-	2.20
Front centre zone - power (kW) / diameter (mm)	-	-	240
Front left FlexInduction zone - power (kW) / dimensions (mm)	2.20	200x230	-
Front left zone - power (kW) / diameter (mm)	-	-	1.80
Front right FlexInduction zone - power (kW) / dimensions (mm)	2.20	200x230	2.20
Front right zone - power (kW) / diameter (mm)	-	-	-
FlexInduction zone left - power (kW) / dimensions (mm)	3.30	400x230	-
FlexInduction zone right - power (kW) / dimensions (mm)	3.30	400x230	3.30
Extended FlexInduction rear left - power (kW) / dimensions (mm)	3.30	300x300	-
Extended FlexInduction rear right - power (kW) / dimensions (mm)	3.30	300x300	-
CombiZone left - power (kW) / dimensions (mm)	-	-	-
CombiZone right - power (kW) / dimensions (mm)	-	-	-
Rear left zone - with powerBoost (max. kW)	3.70	2.20	3.70
Rear right zone - with powerBoost (max. kW)	3.70	3.70	3.70
Rear centre zone - with powerBoost (max. kW)	-	3.70	-
Front left zone - with powerBoost (max. kW)	3.70	3.10	3.70
Front right zone - with powerBoost (max. kW)	3.70	3.70	3.70

● = Yes - = No

All models comply with COMMISSION REGULATION (EC) No 1275/2008 with regard to ecodesign requirements for standby and off mode electric power consumption. For full specification details, please log onto our website and download a full specification sheet.

Making **life easy** through innovative technologies

# Induction hobs



TYPE	FLEX INDUCTION		FLEX INDUCTION		FLEX INDUCTION	
DESIGN FAMILY	SERIE 6		SERIE 6		SERIE 6	
MODEL NUMBER	PXV851FC1E		PXE651FC1E		PVW851FB5E	
Width in mm	802		592		802	
Control position	Front		Front		Front	
Control type	DirectSelect		DirectSelect		DirectSelect	
Style	Bevel Front & Sides		Bevel Front & Sides		Bevel Front & Sides	
KEY FEATURES						
Home Connect	-		-		-	
Hob Hood Control	-		-		-	
PerfectCook temperature sensor ready	-		-		-	
PerfectFry Sensor settings	4 settings		4 settings		-	
Extended FlexInduction Zone	-		-		-	
Number of FlexInduction Zones	1		1		-	
Number of CombiZones	-		-		1	
HOB FEATURES						
Number of individual zones	5		4		5	
Cooking Levels	17		17		17	
PowerBoost	●		●		●	
PanBoost	●		-		-	
MoveMode	-		-		2-steps	
Energy Consumption Display	●		●		●	
Keep Warm Function	-		-		-	
Quick Start Function	●		●		●	
Automatic setting transfer	-		-		-	
Restart Function	-		-		-	
Demo Mode	-		-		-	
Dish Categories/ Setting Recommendations	-		-		-	
Wipe Protection Function	●		●		●	
*Plug&Play* with GB Plug	-		-		-	
SAFETY FEATURES						
Residual Heat Indicator	●		●		●	
Childproof Lock	●		●		●	
Countdown timer	-		-		-	
Safety Time Switch off	●		●		●	
Pan recognition	●		●		●	
Quick Stop	-		-		-	
Count up Timer	-		-		-	
Main on/off switch	●		●		●	
PERFORMANCE / TECHNICAL INFORMATION						
Maximum power output (kW)	7,400		7,400		7,400	
Nominal voltage (V)	220-240		220-240		220-240	
Electrical cable length (cm)	110		110		110	
Rear left FlexInduction zone - power (kW) / dimensions (mm)	200x210		2.20 200x240		-	
Rear left zone - power (kW) / diameter (mm)	-		1.40 145		1.40 145	
Rear right FlexInduction zone - power (kW) / dimensions (mm)	200x210		2.20 200x210		-	
Rear right zone - power (kW) / diameter (mm)	-		1.40 145		2.20 210x190	
Rear centre zone - power (kW) / diameter (mm)	-		2.20 240		-	
Front centre zone - power (kW) / diameter (mm)	-		-		-	
Front left FlexInduction zone - power (kW) / dimensions (mm)	200x210		2.20 200x240		-	
Front left zone - power (kW) / diameter (mm)	-		1.80 180		1.80 180	
Front right FlexInduction zone - power (kW) / dimensions (mm)	200x210		2.20 200x210		-	
Front right zone - power (kW) / diameter (mm)	-		2.20 210		2.20 210x190	
FlexInduction zone left - power (kW) / dimensions (mm)	400x210		-		3.30 400x240	
FlexInduction zone right - power (kW) / dimensions (mm)	400x210		3.30 400x210		-	
Extended FlexInduction rear left - power (kW) / dimensions (mm)	-		-		-	
Extended FlexInduction rear right - power (kW) / dimensions (mm)	-		-		-	
CombiZone left - power (kW) / dimensions (mm)	-		-		-	
CombiZone right - power (kW) / dimensions (mm)	-		-		3.60 380x210	
Rear left zone - with powerBoost (max. kW)	2.20		3.70		2.20	
Rear right zone - with powerBoost (max. kW)	3.70		2.20		3.70	
Rear centre zone - with powerBoost (max. kW)	3.70		-		3.70	
Front left zone - with powerBoost (max. kW)	3.10		3.70		3.10	
Front right zone - with powerBoost (max. kW)	3.70		3.70		3.70	

● = Yes - = No

All models comply with COMMISSION REGULATION (EC) No 1275/2008 with regard to ecodesign requirements for standby and off mode electric power consumption.

TYPE	FLEX INDUCTION		FLEX INDUCTION		FLEX INDUCTION		FLEX INDUCTION		FLEX INDUCTION	
DESIGN FAMILY	SERIE 6		SERIE 6		SERIE 4		SERIE 4		SERIE 4	
MODEL NUMBER	PIV851FB1E		PVQ651FC5E		PIE631BB5E		PWP611BB5E		PUE611BB5E	
Width in mm	802		592		592		592		592	
Control position	Front		Front		Front		Front		Front	
Control type	DirectSelect		DirectSelect		TouchControl		TouchControl		TouchControl	
Style	Bevel Front & Sides		Bevel Front & Sides		Bevel Front & Sides		Frameless		Frameless	
KEY FEATURES										
Home Connect	-		-		-		-		-	
Hob Hood Control	-		-		-		-		-	
PerfectCook temperature sensor ready	-		-		-		-		-	
PerfectFry Sensor settings	-		4 settings		-		-		-	
Extended FlexInduction Zone	-		-		-		-		-	
Number of FlexInduction Zones	-		-		-		-		-	
Number of CombiZones	-		1		-		1		-	
HOB FEATURES										
Number of individual zones	5		4		4		4		4	
Cooking Levels	17		17		17		17		17	
PowerBoost	●		●		●		●		●	
PanBoost	-		-		-		-		-	
MoveMode	-		2-steps		-		-		-	
Energy Consumption Display	●		●		-		-		-	
Keep Warm Function	-		-		-		-		-	
Quick Start Function	●		●		●		-		-	
Automatic setting transfer	-		-		-		-		-	
Restart Function	-		-		-		-		-	
Demo Mode	-		-		-		-		-	
Dish Categories/ Setting Recommendations	-		-		-		-		-	
Wipe Protection Function	●		●		-		-		-	
*Plug&Play* with GB Plug	-		-		-		-		-	
SAFETY FEATURES										
Residual Heat Indicator	●		●		●		●		●	
Childproof Lock	●		●		●		●		●	
Countdown timer	-		-		-		-		-	
Safety Time Switch off	●		●		●		●		●	
Pan recognition	●		●		●		●		●	
Quick Stop	-		-		-		-		-	
Count up Timer	-		-		-		-		-	
Main on/off switch	●		●		●		●		●	
PERFORMANCE / TECHNICAL INFORMATION										
Maximum power output (kW)	7,400		7,400		7,400		4,600		4,600	
Nominal voltage (V)	220-240		220-240		220-240		220-240		220-240	
Electrical cable length (cm)	110		110		110		110		110	
Rear left FlexInduction zone - power (kW) / dimensions (mm)	-		-		-		-		-	
Rear left zone - power (kW) / diameter (mm)	1.40 145		2.20 210x190		1.80 180		1.80 180		1.80 180	
Rear right FlexInduction zone - power (kW) / dimensions (mm)	-		-		-		-		-	
Rear right zone - power (kW) / diameter (mm)	1.40 145		2.20 210x190		1.40 145		1.40 145		1.40 145	
Rear centre zone - power (kW) / diameter (mm)	2.20 240		-		-		-		-	
Front centre zone - power (kW) / diameter (mm)	-		-		-		-		-	
Front left FlexInduction zone - power (kW) / dimensions (mm)	-		-		-		-		-	
Front left zone - power (kW) / diameter (mm)	1.80 180		2.20 210x190		1.80 180		1.80 180		1.80 180	
Front right FlexInduction zone - power (kW) / dimensions (mm)	-		-		-		-		-	
Front right zone - power (kW) / diameter (mm)	2.20 210		2.20 210x190		2.20 210		2.20 210		2.20 210	
FlexInduction zone left - power (kW) / dimensions (mm)	-		-		-		-		-	
FlexInduction zone right - power (kW) / dimensions (mm)	-		-		-		-		-	
Extended FlexInduction rear left - power (kW) / dimensions (mm)	-		-		-		-		-	
Extended FlexInduction rear right - power (kW) / dimensions (mm)	-		-		-		-		-	
CombiZone left - power (kW) / dimensions (mm)	-		-		-		-		-	
CombiZone right - power (kW) / dimensions (mm)	-		3.60 380x210		-		3.60 388x180		-	
Rear left zone - with powerBoost (max. kW)	2.20		3.70		3.10		3.10		3.10	
Rear right zone - with powerBoost (max. kW)	2.20		3.70		2.20		2.20		2.20	
Rear centre zone - with powerBoost (max. kW)	3.70		-		-		-		-	
Front left zone - with powerBoost (max. kW)	3.10		3.70		3.10		3.10		3.10	
Front right zone - with powerBoost (max. kW)	3.70		3.70		3.70		3.70		3.70	

● = Yes - = No

5 year warranty - Promotion dates 01.04.22 - 31.03.23. T&C's apply. Online registration required. Selected models only.

# Induction hobs



TYPE	INDUCTION	INDUCTION	INDUCTION
DESIGN FAMILY	SERIE 4	SERIE 4	SERIE 2
MODEL NUMBER	PWP611BB5B	PUE611BB5B	PUG61RAA5B
Width in mm	592	592	592
Control position	Front	Front	Front
Control type	TouchControl	TouchControl	TouchSelect basic
Style	Frameless	Frameless	Frameless
KEY FEATURES			
Home Connect	-	-	-
Hob Hood Control	-	-	-
PerfectCook temperature sensor ready	-	-	-
PerfectFry Sensor settings	-	-	-
Extended FlexInduction Zone	-	-	-
Number of FlexInduction Zones	-	-	-
Number of CombiZones	1	-	-
HOB FEATURES			
Number of individual zones	3	4	4
Cooking Levels	17	17	9
PowerBoost	●	●	Rear left only
PanBoost	-	-	-
MoveMode	-	-	-
Energy Consumption Display	-	-	-
Keep Warm Function	-	-	-
Quick Start Function	●	●	●
Automatic setting transfer	-	-	-
Restart Function	-	-	-
Demo Mode	-	-	-
Dish Categories/ Setting Recommendations	-	-	-
Wipe Protection Function	-	-	-
*Plug&Play* with GB Plug	●	●	●
SAFETY FEATURES			
Residual Heat Indicator	●	●	●
Childproof Lock	●	●	●
Countdown timer	-	-	-
Safety Time Switch off	●	●	●
Pan recognition	●	●	●
Quick Stop	●	●	●
Count up Timer	-	-	-
Main on/off switch	●	●	●
PERFORMANCE / TECHNICAL INFORMATION			
Maximum power output (kW)	3,700	3,700	3,700
Nominal voltage (V)	220-240	220-240	220-240
Electrical cable length (cm)	110	110	110
Rear left FlexInduction zone - power (kW) / dimensions (mm)	-	-	-
Rear left zone - power (kW) / diameter (mm)	1.80 / 180	1.80 / 180	1.80 / 180
Rear right FlexInduction zone - power (kW) / dimensions (mm)	-	-	-
Rear right zone - power (kW) / diameter (mm)	1.40 / 145	1.40 / 145	1.40 / 145
Rear centre zone - power (kW) / diameter (mm)	-	-	-
Front centre zone - power (kW) / diameter (mm)	-	-	-
Front left FlexInduction zone - power (kW) / dimensions (mm)	-	-	-
Front left zone - power (kW) / diameter (mm)	1.80 / 180	1.80 / 180	1.40 / 145
Front right FlexInduction zone - power (kW) / dimensions (mm)	-	-	-
Front right zone - power (kW) / diameter (mm)	2.20 / 210	2.20 / 210	1.80 / 180
FlexInduction zone left - power (kW) / dimensions (mm)	-	-	-
FlexInduction zone right - power (kW) / dimensions (mm)	-	-	-
Extended FlexInduction rear left - power (kW) / dimensions (mm)	-	-	-
Extended FlexInduction rear right - power (kW) / dimensions (mm)	-	-	-
CombiZone left - power (kW) / dimensions (mm)	3.00 / 388x180	-	-
CombiZone right - power (kW) / dimensions (mm)	-	-	-
Rear left zone - with powerBoost (max. kW)	3.00	3.00	3.10
Rear right zone - with powerBoost (max. kW)	2.20	2.20	-
Rear centre zone - with powerBoost (max. kW)	-	-	-
Front left zone - with powerBoost (max. kW)	3.00	3.00	-
Front right zone - with powerBoost (max. kW)	3.00	3.00	-

● = Yes - = No

All models comply with COMMISSION REGULATION (EC) No 1275/2008 with regard to ecodesign requirements for standby and off mode electric power consumption.

# Ceramic hobs



TYPE	CERAMIC	CERAMIC	CERAMIC
DESIGN FAMILY	SERIE 4	SERIE 4	SERIE 2
MODEL NUMBER	PKN811BA2E	PKE61RAA8B	PKE611CA3E
Width in mm	802mm	592mm	592mm
Control position	Front	Front	Side
Control type	TouchControl	Easy Touch	Control Dials
Style	Frameless	Frameless	Frameless
KEY FEATURES			
Number of individual zones	4	4	4
No. of Dual Zones	1	-	-
No. of Extendable Zones	2	-	-
Power levels	17	9	9
Digital display	●	●	-
Restart Function	●	●	-
SAFETY FEATURES			
Main on/off switch	●	●	-
Two stage residual heat indicators	●	●	-
Childproof lock	●	●	-
Timed safety switch off	●	●	-
PERFORMANCE / TECHNICAL INFORMATION			
Nominal voltage (V)	220-240	220-240	220-240
Maximum power output (W)	7,500	6,600	6,600
Electrical cable length (cm)	110	100	110
GB plug	-	-	-
Rear left zone - power (kW) / diameter (mm)	1.80 / 170	2 / 180	2.20 / 210
Rear right zone - power (kW) / diameter (mm)	1.20 / 145	1.20 / 145	1.20 / 145
Rear centre zone - power (kW) / diameter (mm)	-	-	-
Front left zone - power (kW) / diameter (mm)	2 / 180	1.20 / 145	1.20 / 145
Front right zone - power (kW) / diameter (mm)	0.75 / 120	2.20 / 210	2 / 180
Rear left zone dual - power (kW) / diameter (mm)	2.60 / 265	-	-
Rear right zone dual - power (kW) / diameter (mm)	-	-	-
Front left zone dual - power (kW) / diameter (mm)	-	-	-
Front right zone dual - power (kW) / diameter (mm)	2.20 / 210	-	-

● = Yes - = No

All models comply with COMMISSION REGULATION (EC) No 1275/2008 with regard to ecodesign requirements for standby and off mode electric power consumption.



# Introducing the Bosch gas hob range.

Welcome to intuitive cooking. The advanced technology built into our hobs makes cooking on gas simple and precise. Understanding how you cook means we've been able to design a FlameSelect feature that lets you fry, stew, steam and boil with confidence – without constantly checking the flame.



Model shown: PPS9A6B90

## Serie 8

Our **Serie 8** range of gas hobs combines convenience and truly elegant design with ultimate cooking control, meaning a truly professional performance in the kitchen.

## Serie 6

Expect excellent operation and timeless designs with our **Serie 6** range of hobs. You'll get premium engineering and materials so that you can always cook something a little bit special.

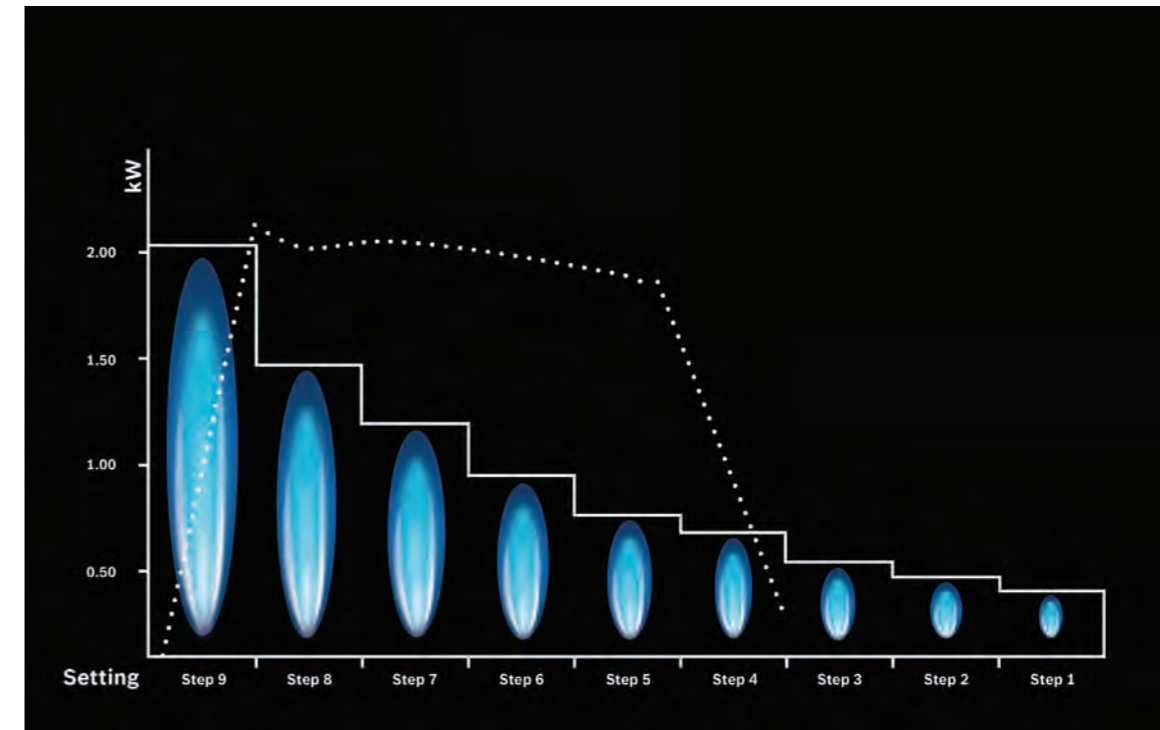
## Serie 4

Featuring a range of gas hobs that are convenient and simple to operate, our **Serie 4** range maintains classic design and style.



# Gas without the guesswork.

The gas cooktops with FlameSelect are equipped with nine precisely defined power levels which let you adjust the required heat easily and reliably. For simply perfect cooking results.



..... Standard gas hob valve power output.  
 \_\_\_\_\_ FlameSelect valve power output.

### FlameSelect.

We're taking the guesswork out of using a gas hob. Our innovative StepValve technology regulates the gas output precisely, so you're able to choose the size of flame. With an easy-to-use setting, all you need to do is decide which of the 9 power settings you want. At last, FlameSelect gives you the confidence to cook on gas without leaning down to check it.

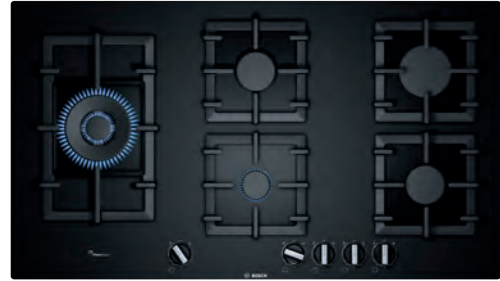
Flame size based on gas setting and energy consumption



# Gas hobs

## Serie 6

PPS9A6B90



**FlameSelect:** A precise adjustment of the flame in nine defined levels.

**Wok burner:** Powerful cooking at up to 4 kW.

**Standard and semi-flush built-in option:** Choose between flush or surface mounted installation.

**Tempered-glass surface:** Elegant design and easy cleaning.

**Continuous cast-iron pan support:** for high firmness and stability of cookware.

TYPE		GAS
DESIGN FAMILY		SERIE 6
STAINLESS STEEL/STAINLESS STEEL TRIM		-
BLACK/PREMIUM BLACK		PPS9A6B90
WHITE/PREMIUM WHITE		-
Width (mm)		915
Control position		Front
Installation flush with work top possible		●
"Diamond" shape burner layout		-
Hob surface type		Tempered glass
KEY FEATURES		
FlameSelect power controls		●
Digital power level display		-
Number of dual circuit wok style burners		1
High power (5.0kW+) wok burner		-
Dual control wok burner		●
FEATURES		
Number of cooking zones		5
Individual power levels		9
Variable power levels		-
Ignition via control dials		●
Flame failure safety device		●
Cast iron pan supports (number)		5
Cast iron finish pan supports (number)		-
Enamelled steel pan supports (number)		-
Two piece burners		●
PERFORMANCE / TECHNICAL INFORMATION		
Nominal voltage (V)		220-240
Maximum gas power output load (W)		11,500
Total connected electrical load (W)		1.1
Cable length (cm)		150
GB plug		-
Left burner power (kW)		4.00
Front left burner power (kW)		-
Back left burner power (kW)		-
Centre/Centre front burner power (kW)		1.00
Centre back burner power (kW)		1.75
Front right burner power (kW)		1.75
Back right burner power (kW)		3.00
Right burner power (kW)		-
Pre-set for natural gas		●
CE Marked		●
STANDARD ACCESSORY		
LPG jets		28-30/37mbar

● = Yes - - No

# Gas hobs



TYPE		GAS	GAS	GAS
DESIGN FAMILY		SERIE 6	SERIE 6	SERIE 6
STAINLESS STEEL/STAINLESS STEEL TRIM		-	-	PCR9A5B90
BLACK/PREMIUM BLACK		PPQ7A6B90	PPP6A6B90	-
WHITE/PREMIUM WHITE		-	-	-
Width (mm)		752	590	915
Control dial position		Front	Front	Front
Installation flush with work top possible		●	●	-
"Diamond" shape burner layout		-	-	-
Hob surface type		Tempered glass	Tempered glass	Metal
KEY FEATURES				
FlameSelect power controls		●	●	●
Digital power level display		-	-	-
Number of dual circuit wok style burners		1	-	1
High power (5.0kW+) wok burner		-	-	●
Dual control wok burner		●	-	●
FEATURES				
Number of cooking zones		5	4	5
Individual power levels		9	9	9
Variable power levels		-	-	-
Ignition via control dials		●	●	●
Flame failure safety device		●	●	●
Cast iron pan supports (number)		5	4	3
Cast iron finish pan supports (number)		-	-	-
Enamelled steel pan supports (number)		-	-	-
Two piece burners		●	●	●
PERFORMANCE / TECHNICAL INFORMATION				
Nominal voltage (V)		220-240	220-240	220-240
Maximum gas power output load (W)		11,500	7,500	12,500
Total connected electrical load (W)		1.1	1.1	1.1
Cable length (cm)		100	100	150
GB plug		-	-	-
Left burner power (kW)		-	-	-
Front left burner power (kW)		1.00	1.75	1.00
Back left burner power (kW)		1.75	1.75	1.75
Centre/Centre front burner power (kW)		4.00	-	5.00
Centre back burner power (kW)		-	-	-
Front right burner power (kW)		1.75	1.00	1.75
Back right burner power (kW)		3.00	3.00	3.00
Right burner power (kW)		-	-	-
Pre-set for natural gas		●	●	●
CE Marked		●	●	●
STANDARD ACCESSORY				
LPG jets		28-30/37mbar	28-30/37mbar	28-30/37mbar

● = Yes - - No

# Gas hobs



TYPE	GAS	GAS	GAS	GAS
DESIGN FAMILY	SERIE 6	SERIE 6	SERIE 6	SERIE 6
STAINLESS STEEL/STAINLESS STEEL TRIM	PCS7A5B90	PCQ7A5B90	PCI6A5B90	PCH6A5B90
BLACK/PREMIUM BLACK	-	-	-	-
WHITE/PREMIUM WHITE	-	-	-	-
Width (mm)	750	750	582	582
Control dial position	Front	Front	Front	Front
Installation flush with work top possible	-	-	-	-
"Diamond" shape burner layout	-	-	●	-
Hob surface type	Metal	Metal	Metal	Metal
<b>KEY FEATURES</b>				
FlameSelect power controls	●	●	●	●
Digital power level display	-	-	-	-
Number of dual circuit wok style burners	1	1	1	1
High power (5.0kW+) wok burner	●	-	-	-
Dual control wok burner	●	●	●	●
<b>FEATURES</b>				
Number of cooking zones	5	5	4	4
Individual power levels	9	9	9	9
Variable power levels	-	-	-	-
Ignition via control dials	●	●	●	●
Flame failure safety device	●	●	●	●
Cast iron pan supports (number)	3	3	2	2
Cast iron finish pan supports (number)	-	-	-	-
Enamelled steel pan supports (number)	-	-	-	-
Two piece burners	●	●	●	●
<b>PERFORMANCE / TECHNICAL INFORMATION</b>				
Nominal voltage (V)	220-240	220-240	220-240	220-240
Maximum gas power output load (W)	12,500	11,500	9,750	8,000
Total connected electrical load (W)	1.1	1.1	1.1	1.1
Cable length (cm)	100	100	100	100
GB plug	-	-	-	-
Left burner power (kW)	5.00	-	4.00	-
Front left burner power (kW)	-	1.00	-	1.75
Back left burner power (kW)	-	1.75	-	1.75
Centre/Centre front burner power (kW)	1.00	4.00	1.00	-
Centre back burner power (kW)	1.75	-	1.75	-
Front right burner power (kW)	1.75	1.75	-	1.00
Back right burner power (kW)	3.00	3.00	-	3.30
Right burner power (kW)	-	-	3.00	-
Pre-set for natural gas	●	●	●	●
CE Marked	●	●	●	●
<b>STANDARD ACCESSORY</b>				
LPG jets	28-30/37mbar	28-30/37mbar	28-30/37mbar	28-30/37mbar

● - Yes - - No



TYPE	GAS	GAS	GAS	GAS	GAS	GAS
DESIGN FAMILY	SERIE 6	SERIE 4	SERIE 4	SERIE 4	SERIE 4	SERIE 2
STAINLESS STEEL/STAINLESS STEEL TRIM	PCP6A5B90	PGQ7B5B90	PGP6B5B60	-	PGP6B5B60	PBP6B5B60
BLACK/PREMIUM BLACK	-	-	-	-	-	-
WHITE/PREMIUM WHITE	-	-	-	-	-	-
Width (mm)	582	750	582	590	582	580
Control dial position	Front	Front	Front	Front	Front	Right Side
Installation flush with work top possible	-	-	-	●	-	-
"Diamond" shape burner layout	-	-	-	-	-	-
Hob surface type	Metal	Metal	Metal	Tempered glass	Metal	Metal
<b>KEY FEATURES</b>						
FlameSelect power controls	●	-	-	-	-	-
Digital power level display	-	-	-	-	-	-
Number of dual circuit wok style burners	-	1	-	-	-	-
High power (5.0kW+) wok burner	-	-	-	-	-	-
Dual control wok burner	-	●	-	-	-	-
<b>FEATURES</b>						
Number of cooking zones	4	5	4	4	4	4
Individual power levels	9	-	-	-	-	-
Variable power levels	-	●	●	●	●	●
Ignition via control dials	●	●	●	●	●	●
Flame failure safety device	●	●	●	●	●	●
Cast iron pan supports (number)	2	2	-	4	2	-
Cast iron finish pan supports (number)	-	-	2	-	-	2
Enamelled steel pan supports (number)	-	-	-	-	-	-
Two piece burners	●	●	●	●	●	●
<b>PERFORMANCE / TECHNICAL INFORMATION</b>						
Nominal voltage (V)	220-240	220-240	220-240	220-240	220-240	220-240
Maximum gas power output load (W)	7,500	10,800	7500	7500	7500	7400
Total connected electrical load (W)	1.1	1.1	1.1	1.1	1.1	1.1
Cable length (cm)	100	150	100	100	100	100
GB plug	-	-	-	-	-	-
Left burner power (kW)	-	-	-	-	-	-
Front left burner power (kW)	1.75	1.00	1.75	1.75	1.75	3.00
Back left burner power (kW)	1.75	1.75	1.75	1.75	1.75	1.70
Centre/Centre front burner power (kW)	-	3.30	-	-	-	-
Centre back burner power (kW)	-	-	-	-	-	-
Front right burner power (kW)	1.00	1.75	1.00	1.00	1.00	1.00
Back right burner power (kW)	3.00	3.00	3.00	3.00	3.00	1.70
Right burner power (kW)	-	-	-	-	-	-
Pre-set for natural gas	●	●	●	●	●	●
CE Marked	●	●	●	●	●	●
<b>STANDARD ACCESSORY</b>						
LPG jets	28-30/37mbar	28-30/37mbar	28-30/37mbar	28-30/37mbar	28-30/37mbar	28-30/37mbar

● - Yes - - No

All models comply with COMMISSION REGULATION (EC) No 1275/2008 with regard to ecodesign requirements for standby and off mode electric power consumption.

# Design match

## Domino hobs

If you want a selection of cooking options within your kitchen, this can be realised with a combination of our worktop cooking appliances. You can select everything from our great range of Induction, Ceramic or Gas hobs and then combine with one our range of Induction, Ceramic or Gas Domino hobs.

### Gas Domino Hobs.



PRA3A6D70



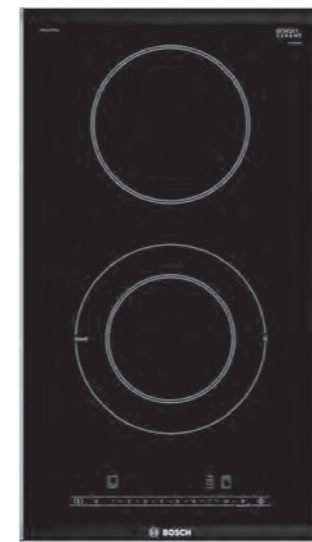
PRB3A6D70

### Induction Domino Hob.



PIB375FB1E

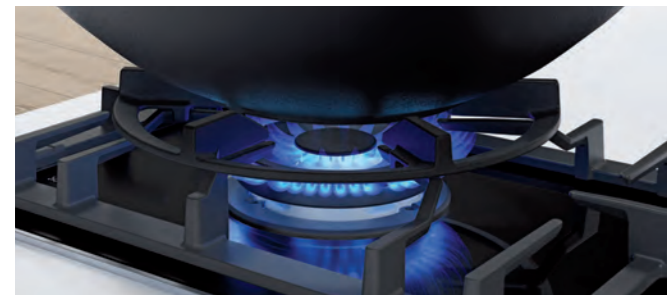
### Ceramic Domino Hob.



PKF375FP2E

These hob appliances can be arranged side-by-side to create a larger cooking surface area, or positioned on their own to create a separate cooking space. Ideal for smaller kitchens that do not have the space for large hobs.

**TIP:** Ensure your extractor hood is the same width as the worktop appliance you choose.



### A touch of the Orient.

Powerful, dual ring wok burners are perfect for oriental cooking. They deliver a boost both in power and speed, but can also be used very effectively at lower settings when required.



### Smart design

Square design pan supports don't just look good, but provide more stability for pots and pans. Cleverly designed to fit together, they are separate pieces, which make them easy to handle and clean. The elegant tempered glass base allows for a choice of surface mounting for quick and easy installation, or flush mounting.



TYPE	GAS	GAS
DESIGN FAMILY	SERIE 8	SERIE 8
MODEL NUMBER	PRA3A6D70	PRB3A6D70
Width in mm	306	306
Control position	Front	Front
<b>KEY FEATURES</b>		
FlameSelect power controls	●	●
Digital power level display	●	●
Number of dual circuit wok style burners	1	-
High power (5.0kW+) wok burner	●	-
Dual control wok burner	●	-
"Diamond" shape burner layout	-	-
Hob surface type	Ceramic glass	Ceramic glass
<b>FEATURES</b>		
Number of cooking zones	1	2
Individual power levels	9	9
Variable power levels	-	-
Ignition via control dials	●	●
Flame failure safety device	●	●
Cast iron pan supports (number)	1 x Dishwasher safe	1 x Dishwasher safe
Cast iron finish pan supports (number)	-	-
Enamelled steel pan supports (number)	-	-
Low profile single piece burners	●	●
Two piece burners	-	-
Comfort Profile	●	●
Can be combined with other models with Comfort Profile	●	●
Installation flush with work top possible	-	-
<b>PERFORMANCE / TECHNICAL INFORMATION</b>		
Nominal voltage (V)	220-240	220-240
Maximum gas power output load (W)	6,000	4,700
Total connected electrical load (W)	1.0	1.0
Cable length (cm)	100	100
GB plug	-	-
Left burner power (kW)	-	-
Front left burner power (kW)	-	-
Back left burner power (kW)	-	-
Centre/Centre front burner power (kW)	6.00	1.90
Centre back burner power (kW)	-	2.80
Front right burner power (kW)	-	-
Back right burner power (kW)	-	-
Right burner power (kW)	-	-
Pre-set for natural gas	●	●
CE Marked	●	●
<b>STANDARD ACCESSORY</b>		
LPG jets	28-30/37mbar	28-30/37mbar
<b>OPTIONAL ACCESSORY</b>		
Connecting Strip to link to other Comfort Profile models	HEZ394301	HEZ394301

● = Yes - = No

TYPE	INDUCTION
DESIGN FAMILY	SERIE 6
MODEL NUMBER	PIB375FB1E
Width in mm	306
Control position	Front
Control type	DirectSelect
Style	Comfort Profile
<b>KEY FEATURES</b>	
Number of individual zones	-
HomeConnect	-
HoodControl	-
5" Full Touch colour display	-
Dish categories	-
Wireless temperature sensor	-
Wireless Sensor settings	-
<b>HOB FEATURES</b>	
Number of individual zones	2
Power Levels	17
powerBoost	●
panBoost	-
MoveMode	-
Energy Consumption Display	●
Keep Warm Function	-
Quick Start Function	●
Automatic setting transfer	-
Restart Function	●
Dish categories	-
"Plug&Play" with GB Plug	-
Wipe protection function	-
<b>SAFETY FEATURES</b>	
Residual Heat Indicator	●
Childproof Lock	●
Switch off timer	●
Safety Time Switch off	●
Count up Timer	●
Pan recognition	●
Main on/off switch	●
<b>PERFORMANCE / TECHNICAL INFORMATION</b>	
Nominal voltage (V)	220-240
Maximum power output (W)	3,700
Electrical cable length (cm)	110
Rear left FlexInduction zone - power (kW) / dimensions (mm)	-
Rear left zone - power (kW) / diameter (mm)	-
Rear right FlexInduction zone - power (kW) / dimensions (mm)	-
Rear right zone - power (kW) / diameter (mm)	-
Rear centre zone - power (kW) / diameter (mm)	2.20 210
Front centre zone - power (kW) / diameter (mm)	1.40 145
Front left FlexInduction zone - power (kW) / dimensions (mm)	-
Front left zone - power (kW) / diameter (mm)	-
Front right FlexInduction zone - power (kW) / dimensions (mm)	-
Front right zone - power (kW) / diameter (mm)	-
FlexInduction zone left - power (kW) / dimensions (mm)	-
FlexInduction zone right - power (kW) / dimensions (mm)	-
Extended FlexInduction rear left - power (kW) / dimensions (mm)	-
Extended FlexInduction rear right - power (kW) / dimensions (mm)	-
CombiZone left - power (kW) / dimensions (mm)	-
CombiZone right - power (kW) / dimensions (mm)	-
Rear left zone - with powerBoost (max. kW)	-
Rear right zone - with powerBoost (max. kW)	-
Rear centre zone - with powerBoost (max. kW)	3.70
Front centre zone - with powerBoost (max. kW)	2.20
Front left zone - with powerBoost (max. kW)	-
Front right zone - with powerBoost (max. kW)	-

TYPE	CERAMIC
DESIGN FAMILY	SERIE 4
MODEL NUMBER	PKF375FP2E
Width in mm	306
Control position	Front
Control type	DirectSelect
Style	Comfort Profile
<b>KEY FEATURES</b>	
Number of individual zones	2
No. Of Dual Zones	-
No. Of Extendable Zones	-
PowerBoost	●
PanBoost	-
Power levels	17
Digital display	●
Timer with automatic switch off for each zone	●
Keep warm function	-
Wipe protection function	-
<b>PERFORMANCE / TECHNICAL INFORMATION</b>	
Main on/off switch	●
Two stage residual heat indicators	●
Safety lock	●
Timed safety switch off	●
<b>PERFORMANCE / TECHNICAL INFORMATION</b>	
Nominal voltage (V)	220-240
Maximum power output (W)	3,500
Electrical cable length (cm)	1.1
GB plug	-
Rear left zone - power (kW) / diameter (mm)	-
Rear right zone - power (kW) / diameter (mm)	-
Rear centre zone - power (kW) / diameter (mm)	1.20 145
Front centre zone - power (kW) / diameter (mm)	2.20 210
Front left zone - power (kW) / diameter (mm)	-
Front right zone - power (kW) / diameter (mm)	-
Rear left zone - with powerBoost (max. kW)	-
Rear right zone - with powerBoost (max. kW)	-
Rear centre zone - with powerBoost (max. kW)	-
Front centre zone - with powerBoost (max. kW)	-
Front left zone - with powerBoost (max. kW)	-
Front right zone - with powerBoost (max. kW)	-

All models comply with COMMISSION REGULATION (EC) No 1275/2008 with regard to ecodesign requirements for standby and off mode electric power consumption.

# Introducing the Bosch hood range.

Offering a blend of function and form, Bosch hoods deliver quiet, effective extraction that makes the kitchen and home a more pleasant environment. Make a bold design statement or complement a more minimalist look.

To help you choose the right hood, we have divided them into four ranges.

## Serie 8

With our **Serie 8** range of hoods experience automatic extraction rate control with **PerfectAir** sensor technology. Our hoods offer high quality craftsmanship combined with cutting-edge technologies to make the kitchen a more pleasant environment.

## Serie 6

Ultimate convenience and tasteful design make cooker hoods within our **Serie 6** range an asset to any stylish kitchen. Electronic controls give you ease of use. Experience maximum operating convenience with **DirectSelect** touch controls from Bosch.

## Serie 4

As the centre of family life, the kitchen needs to have a comfortable atmosphere free of cooking steam and disruptive noise. Our **Serie 4** range of cooker hoods are extremely quiet, easy to operate and impressive with their modern design.

## Serie 2

With our **Serie 2** range of hoods, you can be assured of high quality design and features that make your life easier in the kitchen, such as easy-to-use controls and dishwasher proof metal grease filters for greater convenience.

## Hood functions explained.

(Check model for available functions.)



### PerfectAir

A sensor constantly detects the levels of odours in the air and adjusts the power level – from light use to intensive – to ensure your kitchen air is always clean and fresh.



### Hob Hood Control

Control your hood via your hob with Hob Hood Control on selected Bosch hobs.



### CleanAir Plus Filters

CleanAir Plus recirculation filters for maximum air purity at minimum volume. These filters can increase the odour absorption of the cooker hood by more than 90%\* and remove 99% of pollen\*\* in the air at the same time.

\*ISO 16890-2 and-4

\*\*Ambrosia-Pollen following test procedure ISO/TS 11155-1



### EcoSilence Drive

Our EcoSilence Drive brushless friction-free motor is durable and designed to last longer. The motor is highly efficient and offers exceptional performance while saving you energy.



### TouchControl

Set the exact power level with a single touch thanks to TouchControl. It's easy to operate: simply select the right power level or turn on the lights and away you go.



### Silence

Your guests are not alone in appreciating a relaxed cook. So you can chat with your guests while cooking.



### Easy mounting

Easy to install appliances give you another reason to choose a Bosch Hood.

### Filter Saturation Indicators

Out of sight, out of mind: When it comes to the filters in our hoods we often forget to check if they need to be changed. With Home Connect you can now check the state of your hood's filters, and receive valuable maintenance information. Simply log onto the app\* to check the carbon and grease saturation of your filters and whether a replacement is necessary.

\*Selected models only

Whichever model you choose from our range, you'll find lots of reasons to love your Bosch hood.

### Why shout when you can whisper?

Our ventilation solutions go through advanced sound frequency testing to make them as quiet as possible. Our brushless **EcoSilence Drive™** motors also help to keep sound levels low while delivering powerful performance\*. If this wasn't enough the **PerfectAir Sensor** can automatically adjust the power level and sound level along with it, to the optimum point for performance and a pleasurable cooking experience\*\*.

\*Sound power measured according to EN60704-3 on largest pipe diameter.

\*\*Noise level (sound power) based on dB(A) re 1 pW

### EcoSilence Drive™

Our hood ranges incorporate energy efficient lighting that can be adjusted for bright illumination to work under, or lower illumination for ambient mood lighting in the kitchen thanks to the dimmer function. In this light, even your electricity bill looks good. Our **EcoSilence Drive™** brushless friction-free motor and energy saving LED lights reduce energy consumption by up to 80% compared to a similar five-year-old model, without compromising results.



### Hob Hood Control.

Control your hood via your hob with Hob-Hood Control on selected Bosch hoods. The hob and hood connect directly over WiFi and as soon as your hob is turned on, your hood lights will come on and it will start extracting.

Pair this feature with the **PerfectAir Sensor** in automatic mode to create a fully automated ventilation solution. This then optimises extraction and noise levels with the sensor adjusting the power level based on the steam and odours from the cooking surface.

If you want to control the hood directly, just activate manual mode on the hob controls with the touch of a finger. In addition to the extraction rate, you can also control the lights of the hood via the hob.

Model shown: DWK98PR60B

Making **life easy** through innovative technologies

Explore more at [bosch-home.co.uk](https://www.bosch-home.co.uk) / [bosch-home.ie](https://www.bosch-home.ie)

# A hood for every kitchen



Plug&Play Ceiling hoods are an easy installation option. Fixing to an existing ceiling and recirculating the air back into the room, saves the need to build a false ceiling.

## Ceiling



### Ceiling

A flush fit ceiling cooker hood is normally installed into a false ceiling. It not only ensures clean air, it also provides excellent lighting for your hob and creates more space in island kitchen cabinets.

## Island Chimney

Our Island cooker hoods have been specially developed for use over your kitchen island and are freely suspended from the ceiling above it. Thanks to the wide choice of classic designs and different sizes, island cooker hoods offer the ideal solution for every kitchen and every requirement.



### Chimney

Our chimney hoods use a box design to perfectly complement your island hob installation.

## Wall-mounted

Wall-mounted cooker hoods are generally mounted above the hob, on the wall between the wall units. This type of cooker hood fits beautifully into the line of your kitchen units whilst providing effective ventilation that you'll barely see – but you'll notice the amazing effect. These feature the Bosch lifeclip which can be matched with other Bosch appliances in your kitchen.



### Box Chimney

Chimney hoods in a box design perfectly complement your hob installation.



### Glass Chimney

Curved and flat chimney hoods are great for a traditional and stylish kitchen.



### Pyramid Chimney

Pyramid hoods impress with classic lines and also the refined contours of the contemporary Slim Pyramid designs.

## Furniture Installation



### Integrated Design Hood

Flush Integrated design hood with fold out glass panel, make these hoods the storage champion. Allowing 10kg storage each side of the chimney on the hood, discreetly hidden in kitchen furniture. Available in 60cm and 90cm width.



### Flat Slimline

This slim design is perfect for keeping an eye on your pots and pans with a stylish control wheel that matches with Bosch Serie 8 ovens.



### Angled Glass

The angled design doesn't restrict headroom so you can keep an eye on your cooking with ease.



### Integrated Design Hood

Flush Integrated design with fold out glass panel, make these hoods the storage champion. Allowing 10kg storage each side of the chimney on the hood, discreetly hidden in kitchen furniture.

## Integrated



### Canopy

Bosch canopy cooker hoods are powerful ventilation systems that can be integrated into the cabinets above your hob. The hood provides excellent extraction of steam and cooking smells, as well as providing additional lighting for your cooking surfaces.



### Telescopic

Telescopic cooker hoods are installed into a wall unit. To operate them, the flat section is pulled out, enlarging the extraction surface. Selected models have easy installation systems and accessories are available, as well as a lowering frame to make the hood invisible when not in use.



### Integrated

Integrated cooker hoods have a furniture panel mounted to them installing seamlessly into the kitchen. For use this front panel is pulled forward at an angle, only then making the hood visible.



### Built Under

Great performance in a tiny space. Our built-under extractors are housed underneath the kitchen unit and can always be seen.

## Ducted or recirculation mode?

### Ducted extraction

Ducting out is the most effective method of extraction if the hood can be sited on an outside wall, or an outside wall can be reached via ducting. The main difference between ducted and recirculation cooker hoods is that ducted systems can extract steam and odours, as well as grease. All our extractors are now standardised to a 150mm diameter outlet for easier installation. Use of 120/125mm diameter ducting is also possible, but will result in reduced air flow and increased noise. Use of 100mm diameter ducting is not recommended.

#### The following points should be observed for optimum ducted extraction results:

1. Ensure any pipe elbow bends are at least 30cm from the hood ducting opening.
2. Avoid reducing the diameter or area of the ducting.
3. Use wide-angled pipe elbows, but keep the number used to a minimum.
4. Only install pipes with smooth, even inner surfaces. If a flexible hose has to be used, ensure it is pulled tight to smooth out the ridges before fixing.
5. Avoid reducing the diameter or area of the ducting.
6. Use ducting pipes with a diameter of at least 120mm, but ideally 150mm.
7. Keep piping to a minimum – use the most direct route to external outlet.
8. Make sure that there is an adequate supply of fresh air to replace the air ducted out of the kitchen i.e. windows that can be opened, doors to adjacent rooms, air bricks.

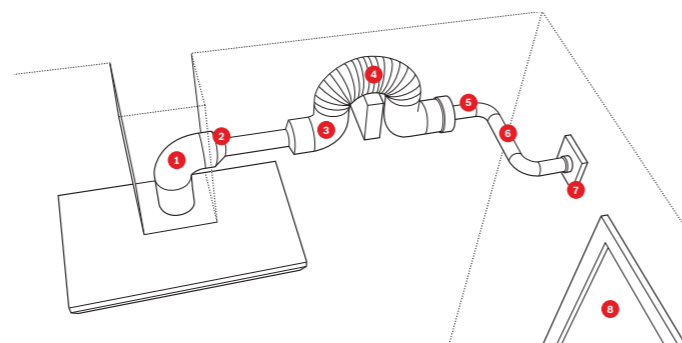
### Recirculation kit

Cooker hoods with recirculation are energy-efficient and much easier to install. Air is passed through the metal filter to extract the grease and then through a special charcoal filter, which removes odours and in high performance **CleanAir Plus filters** also removes over 99% of pollen\*. The purified air is then returned to the room. As no ducting openings are necessary, this is an energy-efficient method of extraction as no energy can escape (i.e. cool air in the summer or warm air in the winter), making it a good choice for low energy houses. The kit contains all you need to set the hood up for recirculation and installation is relatively easy. Check each model for details on the appropriate recirculation kit accessory.

\*Ambrosia-Pollen following test procedure ISO/TS 11155-1.



Explore more at [bosch-home.co.uk](https://www.bosch-home.co.uk) / [bosch-home.ie](https://www.bosch-home.ie)



Problems with installation may occur if points 1 to 8 are not observed.

#### Tips and hints

1. Calculate the extraction capacity needed.
2. Choose a hood with at least the same width of your hob.
3. Ensure efficient pipe ducting installation.
4. As a guide the hood should be installed at a minimum of 65cm above a gas hob or 55cm above an electric hob.
5. To effectively remove cooking odours from your kitchen, switch the hood on 5-10 minutes prior to cooking.
6. Leave the hood to run at a low setting after cooking has finished for 5-10 minutes to remove any lingering odours. Or simply select the Automatic After Running function, which enables the hood to continue running at a low speed for 10 minutes before automatically turning itself off (available on selected models).
7. Regularly clean metal grease filters to ensure optimum extraction performance. All of our metal grease filters, brushed steel filters and rim ventilation filters are dishwasher-proof.
8. Choosing the correct extractor. As a guideline, the air in the room should be changed 6-12 times per hour. Calculate the floor area in square metres and multiply by the height of the room in metres. Then divide the maximum extraction rate of your chosen hood by the figure calculated above. The resulting figure should be at least 7, but preferably as close to 12 as possible.

#### Example

Kitchen (H x W x D) metres 2.1 x 4.5 x 4.2 = 39.7m<sup>3</sup>.  
Assume a maximum of 12 air changes per hour – multiply 39.7m<sup>3</sup> by 12 = 476m<sup>3</sup>/h. Choose a hood capable of extracting at least this amount of air per hour – e.g. DWB96DM50B (max ducted extraction rate intensive 580m<sup>3</sup> per hour).

## A breath of fresh air in the kitchen.

Now your cooker hood can automatically control the air in your kitchen. Intuitive sensor technology from Bosch makes cooking easier than ever.

### PerfectAir

When you're busy cooking, the last thing you need to think about is adjusting your hood to clear any steam in the kitchen.

The **PerfectAir** sensor continually detects the level of odours in the air during the cooking process and automatically adjusts the power level to ensure optimum extraction performance.

So there is no longer any need to manually adjust the power levels. This means that you can concentrate on your cooking rather than worrying about whether your hood is on the right setting.



For more information on Ducting out Kits and different air filters, please go to page 126.  
Model shown: DWK98PR60B (hood)  
Hob shown for illustrative purposes only.

Making **life easy** through innovative technologies

# Ceiling hoods

## Serie 6

DRC97AQ50B



Home Connect



Now your cooker hood can automatically control the air in your kitchen. Intuitive sensor technology from Bosch makes cooking easier than ever.

HOOD TYPE	CEILING
DESIGN FAMILY	SERIE 6
MODEL	DRC97AQ50B
Colour	Stainless Steel
<b>KEY FEATURES</b>	
PerfectAir Sensor	-
Home Connect	●
Hob Hood Control	●
EcoSilence Drive Motor	●
Intensive setting / Automatic intensive revert <sup>1</sup>	●
Filter saturation indicators	●
<b>ADDITIONAL PROGRAMMES / FUNCTIONS</b>	
Type of control	Remote control
Power levels	3 + 2 intensive
Electronic power level display	-
Lighting	4 x LED lights
Softlight with dimmer function	●
Automatic after running (minutes)	10
Number of metal grease filter cassettes	2
Suitable for ducted operation / recirculating	●
<b>PERFORMANCE / TECHNICAL INFORMATION</b>	
Appliance width (mm)	900
<b>EXTRACTION RATE IN M<sup>3</sup>/H <sup>(2,3)</sup></b>	
- Ducted / recirculating at power level 1	265 / 200
- Ducted / recirculating at power level 2	335 / 316
- Ducted / recirculating at power level 3	458 / 422
- Ducted / recirculating at power level 4 or intensive level 1	594 / 513
- Ducted / recirculating, intensive setting or intensive level 2	798 / 565
<b>NOISE LEVEL (SOUND POWER) BASED ON DB(A) RE 1 PW <sup>(2,4)</sup></b>	
- Ducted / recirculating at power level 1	41 / 46
- Ducted / recirculating at power level 2	47 / 57
- Ducted / recirculating at power level 3	56 / 63
- Ducted / recirculating at power level 4 or intensive level 1	62 / 67
- Ducted / recirculating, intensive setting or intensive level 2	68 / 69
Pipe outlet diameter (mm)	150
Min. distance above an electric hob / gas hob <sup>5</sup> (mm)	550 / 650
GB plug	●
Energy Rating	A
<b>OPTIONAL ACCESSORIES <sup>6</sup></b>	
CleanAir Plus Recirculating Module (Stainless Steel)	DIZ1JC5C6
CleanAir Plus Recirculating Module (White)	DIZ1JC2C6
Long Life Regenerative Recirculation Module (Stainless Steel)	DIZ0JC5D0
Long Life Regenerative Recirculation Module (White)	DIZ0JC2D0

<sup>1</sup>Power automatically reverts back to normal setting after intensive.

<sup>2</sup>Air Flow and noise declarations made in line with CECEC Code of Conduct.

<sup>3</sup>Measured according to EN61591 on largest pipe diameter.

<sup>4</sup>Sound power measured according to EN60704-3 on largest pipe diameter.

<sup>5</sup>From top of pan supports.

<sup>6</sup>A type of recirculating kit is required if recirculating. Depending on the model, a 'Recirculating odour filter kit' will consist of the following items: Charcoal filter, flexible hose, air duct, fixing components, installation instructions.

HOOD TYPE	CEILING
DESIGN FAMILY	SERIE 6
MODEL	DRR16AQ20
Colour	White
<b>KEY FEATURES</b>	
PerfectAir Sensor	-
Home Connect	●
Hob Hood Control	●
EcoSilence Drive Motor	●
Intensive setting / Automatic intensive revert <sup>1</sup>	●
Filter saturation indicators	●
<b>FEATURES</b>	
Type of control	Remote control
Power levels	3 + 2 intensive
Electronic power level display	-
Lighting	4 x LED lights
Softlight with dimmer function	●
Automatic after running (minutes)	10
Number of metal grease filter cassettes	3
Suitable for ducted operation / recirculating	- / ●
<b>PERFORMANCE / TECHNICAL INFORMATION</b>	
Appliance width (mm)	1050
<b>EXTRACTION RATE IN M<sup>3</sup>/H <sup>(2,3)</sup></b>	
- Ducted / recirculating at power level 1	- / 164
- Ducted / recirculating at power level 2	- / 322
- Ducted / recirculating at power level 3	- / 409
- Ducted / recirculating at power level 4 or intensive level 1	- / 502
- Ducted / recirculating, intensive setting or intensive level 2	- / 580
<b>NOISE LEVEL (SOUND POWER) BASED ON DB(A) RE 1 PW <sup>(2,4)</sup></b>	
- Ducted / recirculating at power level 1	- / 43
- Ducted / recirculating at power level 2	- / 62
- Ducted / recirculating at power level 3	- / 68
- Ducted / recirculating at power level 4 or intensive level 1	- / 73
- Ducted / recirculating, intensive setting or intensive level 2	- / 76
Pipe outlet diameter (mm)	-
Min. distance above an electric hob / gas hob <sup>5</sup> (mm)	650 / 650
GB plug	-
Energy Rating	-
<b>OPTIONAL ACCESSORIES <sup>6</sup></b>	
Recirculating Filter Kit	CleanAir Plus filters included
Long Life Regenerative Recirculation Filter Kit / Replacement Filters	DIZ0JX0P0

<sup>1</sup>Power automatically reverts back to normal setting after intensive.

<sup>2</sup>Air Flow and noise declarations made in line with CECEC Code of Conduct.

<sup>3</sup>Measured according to EN61591 on largest pipe diameter.

<sup>4</sup>Sound power measured according to EN60704-3 on largest pipe diameter.

<sup>5</sup>From top of pan supports.

<sup>6</sup>A type of recirculating kit is required if recirculating. Depending on the model, a 'Recirculating odour filter kit' will consist of the following items: Charcoal filter, flexible hose, air duct, fixing components, installation instructions.

## Serie 6

DRR16AQ20



Home Connect



The Plug&Play ceiling ventilation: for a simple and space-saving solution, with perfect installation in open plan kitchens. Designed for easy installation to the ceiling and saves space in island kitchen cabinets.

Hob Hood Control: now you never need to touch the hood again. The fan speed or lights of the hood can be conveniently controlled directly from the hob (with selected Wi-Fi enabled hobs).

This recirculation hood comes with high performance CleanAir Plus filters. These have an anti-fish coating and remove over 99% of all pollen. The metal grease filters filter grease and other solid particles out of the extracted air. To keep these filters operating at maximum efficiency, clean them about once a month either by hand or in the dishwasher.



# Island chimneys

# Integrated design hoods

## Serie 6

DIB98JQ50B



DIG97IM50B

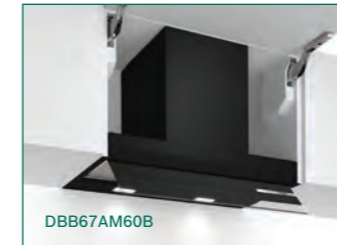
Our Island cooker hoods have been specially developed for use over your kitchen island and are freely suspended from the ceiling above it, giving you more flexibility when designing your kitchen.

HOOD TYPE	ISLAND	ISLAND
DESIGN FAMILY	SERIE 6	SERIE 4
MODEL	DIB98JQ50B	DIG97IM50B
Colour	Stainless Steel	Stainless Steel & Glass
<b>KEY FEATURES</b>		
PerfectAir Sensor	●	-
Home Connect	-	-
Hob Hood Control	-	-
EcoSilence Drive Motor	●	-
Intensive setting / Automatic intensive revert <sup>1</sup>	●	●
Filter saturation indicators	●	●
<b>ADDITIONAL PROGRAMMES / FUNCTIONS</b>		
Type of control	Touch control	Touch control
Power levels	3 + 2 intensive	3 + 1 intensive
Electronic power level display	-	-
Lighting	4 x LED lights	4 x LED lights
Softlight with dimmer function	●	-
Automatic after running (minutes)	10	-
Number of metal grease filter cassettes	3	2
Suitable for ducted operation / recirculating	●	●
<b>PERFORMANCE / TECHNICAL INFORMATION</b>		
Appliance width (mm)	900	900
<b>EXTRACTION RATE IN M<sup>3</sup>/H <sup>(2,3)</sup></b>		
- Ducted / recirculating at power level 1	281 / 171	243 / 173
- Ducted / recirculating at power level 2	361 / 266	328 / 253
- Ducted / recirculating at power level 3	445 / 313	429 / 315
- Ducted / recirculating at power level 4 or intensive level 1	657 / 364	-
- Ducted / recirculating, intensive setting or intensive level 2	867 / 391	732 / 384
<b>NOISE LEVEL (SOUND POWER) BASED ON DB(A) RE 1 PW <sup>(2,4)</sup></b>		
- Ducted / recirculating at power level 1	44 / 59	47 / 62
- Ducted / recirculating at power level 2	49 / 68	54 / 69
- Ducted / recirculating at power level 3	54 / 71	60 / 73
- Ducted / recirculating at power level 4 or intensive level 1	63 / 73	-
- Ducted / recirculating, intensive setting or intensive level 2	69 / 74	71 / 77
Pipe outlet diameter (mm)	150 / 120	150 / 120
Min. distance above an electric hob / gas hob <sup>5</sup> (mm)	550 / 650	550 / 650
GB plug	●	●
Energy Rating	A+	B
<b>OPTIONAL ACCESSORIES <sup>6</sup></b>		
Standard Recirculation Kit	DI22CB114	DI21CG114
CleanAir Plus External Recirculation Module (Stainless Steel)	-	DI21CX5C6

<sup>1</sup> Power automatically reverts back to normal setting after intensive.  
<sup>2</sup> Air Flow and noise declarations made in line with CECEC Code of Conduct.  
<sup>3</sup> Measured according to EN61591 on largest pipe diameter.  
<sup>4</sup> Sound power measured according to EN60704-3 on largest pipe diameter.  
<sup>5</sup> From top of pan supports.  
<sup>6</sup> A type of recirculating kit is required if recirculating. Depending on the model, a 'Recirculating odour filter kit' will consist of the following items: Charcoal filter, flexible hose, air duct, fixing components, installation instructions.

## Serie 6

Perfectly integrated design hood for optimal usage of space inside your cupboard. The hood can hold up to 10 kg on each side. And even left and right beside the chimney shelves can be placed.



DBB67AM60B



HOOD TYPE	INTEGRATED
DESIGN FAMILY	SERIE 6
MODEL / WIDTH	DBB97AM60B/90CM DBB67AM60B/60CM
Colour	Black body with Bosch Clip design fold out glass
<b>KEY FEATURES</b>	
PerfectAir Sensor	-
Home Connect	-
Hob Hood Control	-
EcoSilence Drive Motor	-
Intensive setting / Automatic intensive revert <sup>1</sup>	●
Filter saturation indicators	-
<b>ADDITIONAL PROGRAMMES / FUNCTIONS</b>	
Type of control	Touch Control
Power levels	3
Electronic power level display	-
Lighting	2 x LED lights
Softlight with dimmer function	-
Automatic after running (minutes)	-
Number of metal grease filter cassettes	2
Furniture door required	-
Suitable for ducted operation / recirculating	●
<b>PERFORMANCE / TECHNICAL INFORMATION</b>	
Appliance width (mm)	897 / 597
<b>EXTRACTION RATE IN M<sup>3</sup>/H <sup>(2,3)</sup></b>	
- Ducted / recirculating at power level 1	256 / 208
- Ducted / recirculating at power level 2	352 / 320
- Ducted / recirculating at power level 3	625 / 416
- Ducted / recirculating at power level 4 or intensive level 1	-
- Ducted / recirculating, intensive setting or intensive level 2	-
<b>NOISE LEVEL (SOUND POWER) BASED ON DB(A) RE 1 PW <sup>(2,4)</sup></b>	
- Ducted / recirculating at power level 1	49 / 57
- Ducted / recirculating at power level 2	56 / 68
- Ducted / recirculating at power level 3	70 / 75
- Ducted / recirculating at power level 4 or intensive level 1	-
- Ducted / recirculating, intensive setting or intensive level 2	-
Pipe outlet diameter (mm)	unknown
Min. distance above an electric hob / gas hob <sup>5</sup> (mm)	430 / 650
GB plug	●
Energy Rating	B
<b>OPTIONAL ACCESSORIES <sup>6</sup></b>	
Long Life Regenerative Recirculation Kit	DW21IT1D1
Clean Air Standard Recirculation Kit	DW26IB114
Chimney Extension 450-854mm	DWZ1B6K1
Chimney Extension 187-360mm	DWZ1B6N1
Long Life odor filter	DWZ010P0
Clean Air Plus odor filter	DWZ1K1B6
Clean Air Plus recirculation kit	DWZ1K1C6
Clean Air Standard odor filter	DWZ6IB1B4

For more information on Ducting out kits and different air filters, please go to page 126.  
 Model shown: DBB97AM60B

# Angled & flat hoods

## Serie 8

DWK98PR60B

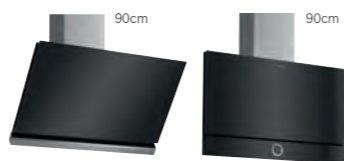


The angled design doesn't restrict headroom so you can keep an eye on your cooking with ease. Simple and stylish design ideal for any kitchen.

Home Connect



Explore more at [bosch-home.co.uk](http://bosch-home.co.uk) / [bosch-home.ie](http://bosch-home.ie)



HOOD TYPE	ANGLED	FLAT GLASS
DESIGN FAMILY	SERIE 8	SERIE 8
MODEL	DWK98PR60B	DWF97RV60B
Colour	Black Glass	Black Glass
<b>KEY FEATURES</b>		
PerfectAir Sensor	●	●
Home Connect	●	●
Hob Hood Control	●	●
EcoSilence Drive Motor	●	●
Intensive setting / Automatic intensive revert <sup>1</sup>	●	●
Filter saturation indicators	●	●
<b>ADDITIONAL PROGRAMMES / FUNCTIONS</b>		
Type of control	Touch control	Ring control
Power levels	3 + 2 intensive	3 + 2 intensive
Electronic power level display	-	●
Lighting	2 x LED lights	2 x LED lights
Softlight with dimmer function	●	●
Automatic after running (minutes)	10	1-9
Number of metal grease filter cassettes	2	2
Suitable for ducted operation / recirculating	●	●
<b>PERFORMANCE / TECHNICAL INFORMATION</b>		
Appliance width (mm)	894	890
<b>EXTRACTION RATE IN M<sup>3</sup>/H <sup>(2,3)</sup></b>		
- Ducted / recirculating at power level 1	293 / 191	227 / 130
- Ducted / recirculating at power level 2	342 / 317	320 / 218
- Ducted / recirculating at power level 3	467 / 430	394 / 294
- Ducted / recirculating at power level 4 or intensive level 1	612 / 525	532 / 409
- Ducted / recirculating, intensive setting or intensive level 2	837 / 583	717 / 527
<b>NOISE LEVEL (SOUND POWER) BASED ON DB(A) RE 1 PW <sup>(2,4)</sup></b>		
- Ducted / recirculating at power level 1	43 / 50	43 / 43
- Ducted / recirculating at power level 2	47 / 60	52 / 54
- Ducted / recirculating at power level 3	55 / 67	57 / 60
- Ducted / recirculating at power level 4 or intensive level 1	61 / 72	64 / 67
- Ducted / recirculating, intensive setting or intensive level 2	67 / 75	70 / 73
Pipe outlet diameter (mm)	150 / 120	150 / 120
Min. distance above an electric hob / gas hob <sup>5</sup> (mm)	450 / 600	450 / not suitable
GB plug	●	●
Energy Rating	A+	B
<b>OPTIONAL ACCESSORIES <sup>6</sup></b>		
Standard Recirculation Kit	DWZ0AK0U0	DWZ0AF0U0
Standard Recirculation Kit (Chimless Installation)	DWZ0AK0T0	DWZ0AF0T0
CleanAir Plus Anti-Pollen Recirculation Kit	DWZ1AK1I6	DWZ1AF1I6
CleanAir Plus Anti-Pollen Recirculation Kit (Chimless Installation)	DWZ1AK1V6	DWZ1AF1V6
Long Life Regenerative Recirculation Kit	DWZ0AK0S0	DWZ0AF0S0
Long Life Regenerative Integrated Recirculation Kit	-	-
Long Life Regenerative Recirculation Kit (Chimless Installation)	DWZ0AK0R0	DWZ0AF0R0
Black Chimney	DWZ1AX6E1	DWZ1AX6E1

<sup>1</sup>Power automatically reverts back to normal setting after intensive.  
<sup>2</sup>Air Flow and noise declarations made in line with CECEC Code of Conduct.  
<sup>3</sup>Measured according to EN61591 on largest pipe diameter.  
<sup>4</sup>Sound power measured according to EN60704-3 on largest pipe diameter.  
<sup>5</sup>From top of pan supports.  
<sup>6</sup>A type of recirculating kit is required if recirculating. Depending on the model, a 'Recirculating odour filter kit' will consist of the following items: Charcoal filter, flexible hose, air duct, fixing components, installation instructions.



HOOD TYPE	ANGLED	ANGLED	ANGLED
DESIGN FAMILY	SERIE 6	SERIE 4	SERIE 2
MODEL/WIDTH	DWK97JQ60B/90CM	DWK87CM60B/80CM DWK67CM60B/60CM*	DWK87EM60B/80CM DWK67EM60B/60CM
Colour	Black Glass	Black Glass	Black Glass
<b>KEY FEATURES</b>			
PerfectAir Sensor	●	-	-
Home Connect	-	-	-
Hob Hood Control	-	-	-
EcoSilence Drive Motor	●	-	-
Intensive setting / Automatic intensive revert <sup>1</sup>	●	●	●
Filter saturation indicators	●	-	-
<b>ADDITIONAL PROGRAMMES / FUNCTIONS</b>			
Type of control	Touch Control	Touch Control	Touch control
Power levels	3 + 2 intensive	3 + 1 intensive	3 + 1 intensive
Electronic power level display	-	-	-
Lighting	2 x LED lights	2 x LED lights	2 x LED lights
Softlight with dimmer function	●	-	-
Automatic after running (minutes)	10	-	-
Number of metal grease filter cassettes	2	2	2
Suitable for ducted operation / recirculating	●	●	●
<b>PERFORMANCE / TECHNICAL INFORMATION</b>			
Appliance width (mm)	890	790	590
Appliance height (mm)	890	790	800
Appliance depth (mm)	600	600	600
<b>EXTRACTION RATE IN M<sup>3</sup>/H <sup>(2,3)</sup></b>			
- Ducted / recirculating at power level 1	305 / 198	253 / 218	245 / 189
- Ducted / recirculating at power level 2	342 / 318	332 / 293	320 / 260
- Ducted / recirculating at power level 3	431 / 399	416 / 388	399 / 320
- Ducted / recirculating at power level 4 or intensive level 1	525 / 473	-	-
- Ducted / recirculating, intensive setting or intensive level 2	714 / 542	700 / 557	669 / 398
<b>NOISE LEVEL (SOUND POWER) BASED ON DB(A) RE 1 PW <sup>(2,4)</sup></b>			
- Ducted / recirculating at power level 1	45/51	48 / 55	48 / 58
- Ducted / recirculating at power level 2	48/61	53 / 60	55 / 65
- Ducted / recirculating at power level 3	53/66	58 / 66	60 / 69
- Ducted / recirculating at power level 4 or intensive level 1	58/74	-	-
- Ducted / recirculating, intensive setting or intensive level 2	65/75	67 / 75	69 / 76
Pipe outlet diameter (mm)	150/120	150/120	150 / 120
Min. distance above an electric hob / gas hob <sup>5</sup> (mm)	450 / 600	450 / 600	450 / 600
GB plug	●	●	●
Energy Rating	A	B	B
<b>OPTIONAL ACCESSORIES <sup>6</sup></b>			
Standard Recirculation Kit	DWZ0AK0U0	DWZ0AK0U0	DWZ1EK1U1
Standard Recirculation Kit (Chimless Installation)	DWZ0AK0T0	DWZ0AK0T0	-
CleanAir Plus Anti-Pollen Recirculation Kit	DWZ1AK1I6	DWZ1AK1I6	-
CleanAir Plus Anti-Pollen Recirculation Kit (Chimless Installation)	DWZ1AK1V6	DWZ1AK1V6	-
Long Life Regenerative Recirculation Kit	DWZ0AK0S0	DWZ0AK0S0	-
Long Life Regenerative Integrated Recirculation Kit	-	-	DWZ0XX0J0
Long Life Regenerative Recirculation Kit (Chimless Installation)	DWZ0AK0R0	DWZ0AK0R0	-
Black Chimney	DWZ1AX6E1	DWZ1AX6E1	-

<sup>1</sup>Power automatically reverts back to normal setting after intensive.  
<sup>2</sup>Air Flow and noise declarations made in line with CECEC Code of Conduct.  
<sup>3</sup>Measured according to EN61591 on largest pipe diameter.  
<sup>4</sup>Sound power measured according to EN60704-3 on largest pipe diameter.  
<sup>5</sup>From top of pan supports.  
<sup>6</sup>A type of recirculating kit is required if recirculating. Depending on the model, a 'Recirculating odour filter kit' will consist of the following items: Charcoal filter, flexible hose, air duct, fixing components, installation instructions.

\*5 year warranty - Promotion dates 01.04.22 - 31.03.23. T&C's apply. Online registration required. Selected models only.  
 All models comply with COMMISSION REGULATION (EC) No 1275/2008 with regard to ecodesign requirements for standby and off mode electric power consumption.

# Glass chimney hoods

## Serie 4

DWA96DM50B



Glass chimney hoods use a combination of metal and glass to give a contemporary look and feel in your kitchen. Available in different widths to suit any kitchen.

HOOD TYPE		CURVED GLASS CHIMNEY	
DESIGN FAMILY		SERIE 4	
MODEL/WIDTH		DWA96DM50B/90CM DWA66DM50B/60CM	
Colour	Stainless Steel & Glass		
KEY FEATURES			
PerfectAir Sensor	-		
Home Connect	-		
Hob Hood Control	-		
EcoSilence Drive Motor	-		
Intensive setting / Automatic intensive revert <sup>1</sup>	●		
Filter saturation indicators	-		
ADDITIONAL PROGRAMMES / FUNCTIONS			
Type of control	Touch control		
Power levels	3 + 1 intensive		
Electronic power level display	-		
Lighting	2 x LED lights		
Softlight with dimmer function	-		
Automatic after running (minutes)	-		
Number of metal grease filter cassettes	1		
Suitable for ducted operation / recirculating	●		
PERFORMANCE / TECHNICAL INFORMATION			
Appliance width (mm)	900	600	
EXTRACTION RATE IN M <sup>3</sup> /H <sup>(2,3)</sup>			
- Ducted / recirculating at power level 1	234 / 164	239 / 173	
- Ducted / recirculating at power level 2	303 / 236	306 / 250	
- Ducted / recirculating at power level 3	371 / 292	400 / 303	
- Ducted / recirculating at power level 4 or intensive level 1	-	-	
- Ducted / recirculating, intensive setting or intensive level 2	610 / 355	615 / 361	
NOISE LEVEL (SOUND POWER) BASED ON DB(A) RE 1 PW <sup>(2,4)</sup>			
- Ducted / recirculating at power level 1	48 / 60	48 / 59	
- Ducted / recirculating at power level 2	55 / 68	54 / 67	
- Ducted / recirculating at power level 3	61 / 72	59 / 71	
- Ducted / recirculating at power level 4 or intensive level 1	-	-	
- Ducted / recirculating, intensive setting or intensive level 2	69 / 75	69 / 75	
Pipe outlet diameter (mm)	150 / 120	150 / 120	
Min. distance above an electric hob / gas hob <sup>5</sup> (mm)	550 / 650	550 / 650	
GB plug	●	●	
Energy Rating	B	B	
OPTIONAL ACCESSORIES <sup>6</sup>			
CleanAir Standard Recirculation Kit	DWZ1DX114	DWZ1DX114	
CleanAir Plus Integrated Recirculation Kit	DWZ1DX116	DWZ1DX116	

<sup>1</sup>Power automatically reverts back to normal setting after intensive.  
<sup>2</sup>Air Flow and noise declarations made in line with CECEC Code of Conduct.  
<sup>3</sup>Measured according to EN61591 on largest pipe diameter.  
<sup>4</sup>Sound power measured according to EN60704-3 on largest pipe diameter.  
<sup>5</sup>From top of pan supports.  
<sup>6</sup>A type of recirculating kit is required if recirculating. Depending on the model, a 'Recirculating odour filter kit' will consist of the following items: Charcoal filter, flexible hose, air duct, fixing components, installation instructions.



HOOD TYPE	CURVED GLASS CHIMNEY		STRAIGHT GLASS CHIMNEY	
DESIGN FAMILY	SERIE 2		SERIE 2	
MODEL/WIDTH	DWA94BC50B/90CM DWA64BC50B/60CM		DWG94BC50B/90CM DWG64BC50B/60CM	
Colour	Stainless Steel & Glass		Stainless Steel & Glass	
KEY FEATURES				
PerfectAir Sensor	-		-	
Home Connect	-		-	
Hob Hood Control	-		-	
EcoSilence Drive Motor	-		-	
Intensive setting / Automatic intensive revert <sup>1</sup>	-		-	
Filter saturation indicators	-		-	
ADDITIONAL PROGRAMMES / FUNCTIONS				
Type of control	Push button control		Push button control	
Power levels	3		3	
Electronic power level display	-		-	
Lighting	2 x LED lights		2 x LED lights	
Softlight with dimmer function	-		-	
Automatic after running (minutes)	-		-	
Number of metal grease filter cassettes	1		2 - 90cm model / 1 - 60cm model	
Suitable for ducted operation / recirculating	●		●	
PERFORMANCE / TECHNICAL INFORMATION				
Appliance width (mm)	900	600	900	600
EXTRACTION RATE IN M <sup>3</sup> /H <sup>(2,3)</sup>				
- Ducted / recirculating at power level 1	198 / 125	198 / 117	198 / 120	198 / 115
- Ducted / recirculating at power level 2	263 / 166	263 / 163	263 / 161	263 / 156
- Ducted / recirculating at power level 3	365 / 198	365 / 200	365 / 195	365 / 190
- Ducted / recirculating at power level 4 or intensive level 1	-	-	-	-
- Ducted / recirculating, intensive setting or intensive level 2	-	-	-	-
NOISE LEVEL (SOUND POWER) BASED ON DB(A) RE 1 PW <sup>(2,4)</sup>				
- Ducted / recirculating at power level 1	50 / 57	49 / 55	49 / 57	49 / 55
- Ducted / recirculating at power level 2	58 / 62	57 / 61	57 / 61	58 / 62
- Ducted / recirculating at power level 3	64 / 66	64 / 66	64 / 66	64 / 66
- Ducted / recirculating at power level 4 or intensive level 1	-	-	-	-
- Ducted / recirculating, intensive setting or intensive level 2	-	-	-	-
Pipe outlet diameter (mm)	150 / 120	150 / 120	150 / 120	150 / 120
Min. distance above an electric hob / gas hob <sup>5</sup> (mm)	550 / 650	550 / 650	550 / 650	550 / 650
GB plug	●	●	●	●
Energy Rating	D	D	D	D
OPTIONAL ACCESSORIES <sup>6</sup>				
CleanAir Standard Recirculation Kit	DWZ1DX114	DWZ1DX114	DWZ1DX114	DWZ1DX114
CleanAir Plus Integrated Recirculation Kit	DWZ1DX116	DWZ1DX116	DWZ1DX116	DWZ1DX116

<sup>1</sup>Power automatically reverts back to normal setting after intensive.  
<sup>2</sup>Air Flow and noise declarations made in line with CECEC Code of Conduct.  
<sup>3</sup>Measured according to EN61591 on largest pipe diameter.  
<sup>4</sup>Sound power measured according to EN60704-3 on largest pipe diameter.  
<sup>5</sup>From top of pan supports.  
<sup>6</sup>A type of recirculating kit is required if recirculating. Depending on the model, a 'Recirculating odour filter kit' will consist of the following items: Charcoal filter, flexible hose, air duct, fixing components, installation instructions.

All models comply with COMMISSION REGULATION (EC) No 1275/2008 with regard to ecodesign requirements for standby and off mode electric power consumption.

# Box chimney hoods

## Serie 6

DWB98JQ50B



Chimney hoods in a box design have clean straight lines and edges for a more contemporary design. Different widths are included in the range to suit your kitchen.

HOOD TYPE	BOX CHIMNEY	BOX CHIMNEY
DESIGN FAMILY	SERIE 6	SERIE 6
MODEL/WIDTH	DWB98JQ50B/90CM	DWB68JQ50B/60CM
Colour	Stainless Steel	Stainless Steel
<b>KEY FEATURES</b>		
PerfectAir Sensor	●	●
Home Connect	-	-
Hob Hood Control	-	-
EcoSilence Drive Motor	●	●
Intensive setting / Automatic intensive revert <sup>1</sup>	●	●
Filter saturation indicators	-	-
<b>ADDITIONAL PROGRAMMES / FUNCTIONS</b>		
Type of control	Touch control	Touch control
Power levels	3 + 2 intensive	3 + 2 intensive
Electronic power level display	-	-
Lighting	3 x LED lights	2 x LED lights
Softlight with dimmer function	●	●
Automatic after running (minutes)	10	10
Number of metal grease filter cassettes	3	2
Suitable for ducted operation / recirculating	●	●
<b>PERFORMANCE / TECHNICAL INFORMATION</b>		
Appliance width (mm)	900	600
<b>EXTRACTION RATE IN M<sup>3</sup>/H <sup>(2,3)</sup></b>		
- Ducted / recirculating at power level 1	273 / 168	243 / 171
- Ducted / recirculating at power level 2	347 / 265	336 / 245
- Ducted / recirculating at power level 3	430 / 311	408 / 280
- Ducted / recirculating at power level 4 or intensive level 1	637 / 359	588 / 313
- Ducted / recirculating, intensive setting or intensive level 2	843 / 385	732 / 336
<b>NOISE LEVEL (SOUND POWER) BASED ON DB(A) RE 1 PW <sup>(2,4)</sup></b>		
- Ducted / recirculating at power level 1	46 / 58	47 / 62
- Ducted / recirculating at power level 2	51 / 66	55 / 68
- Ducted / recirculating at power level 3	55 / 69	60 / 71
- Ducted / recirculating at power level 4 or intensive level 1	64 / 72	69 / 73
- Ducted / recirculating, intensive setting or intensive level 2	69 / 74	73 / 75
Pipe outlet diameter (mm)	150/120	150/120
Min. distance above an electric hob / gas hob <sup>5</sup> (mm)	550 / 650	550 / 650
GB plug	●	●
Energy Rating	A+	A
<b>OPTIONAL ACCESSORIES <sup>6</sup></b>		
Standard Recirculation Kit	DWZ2CB114	DWZ1CB114
CleanAir Plus Anti-Pollen Integrated Recirculation Kit	DWZ1DX116	DWZ1DX116

<sup>1</sup>Power automatically reverts back to normal setting after intensive.  
<sup>2</sup>Air Flow and noise declarations made in line with CECEC Code of Conduct.  
<sup>3</sup>Measured according to EN61591 on largest pipe diameter.  
<sup>4</sup>Sound power measured according to EN60704-3 on largest pipe diameter.  
<sup>5</sup>From top of pan supports.  
<sup>6</sup>A type of recirculating kit is required if recirculating. Depending on the model, a 'Recirculating odour filter kit' will consist of the following items: Charcoal filter, flexible hose, air duct, fixing components, installation instructions.



HOOD TYPE	BOX CHIMNEY	BOX CHIMNEY	BOX CHIMNEY	BOX CHIMNEY
DESIGN FAMILY	SERIE 4	SERIE 4	SERIE 2	SERIE 2
MODEL	DWB96DM50B	DWB66DM50B	DWB94BC50B	DWB64BC50B
Colour	Stainless Steel	Stainless Steel	Stainless Steel	Stainless Steel
<b>KEY FEATURES</b>				
PerfectAir Sensor	-	-	-	-
Home Connect	-	-	-	-
Hob Hood Control	-	-	-	-
EcoSilence Drive Motor	-	-	-	-
Intensive setting / Automatic intensive revert <sup>1</sup>	●	●	-	-
Filter saturation indicators	-	-	-	-
<b>ADDITIONAL PROGRAMMES / FUNCTIONS</b>				
Type of control	Touch control	Touch control	Push button control	Push button control
Power levels	3 + 1 intensive	3 + 1 intensive	3	3
Electronic power level display	-	-	-	-
Lighting	2 x LED lights	2 x LED lights	2 x LED lights	2 x LED lights
Softlight with dimmer function	-	-	-	-
Automatic after running (minutes)	-	-	-	-
Number of metal grease filter cassettes	3	2	3	2
Suitable for ducted operation / recirculating	●	●	●	●
<b>PERFORMANCE / TECHNICAL INFORMATION</b>				
Appliance width (mm)	900	600	900	600
<b>EXTRACTION RATE IN M<sup>3</sup>/H <sup>(2,3)</sup></b>				
- Ducted / recirculating at power level 1	222 / 147	238 / 150	198 / 120	198 / 122
- Ducted / recirculating at power level 2	293 / 228	302 / 220	263 / 162	263 / 165
- Ducted / recirculating at power level 3	372 / 290	368 / 281	365 / 195	365 / 197
- Ducted / recirculating at power level 4 or intensive level 1	-	-	-	-
- Ducted / recirculating, intensive setting or intensive level 2	604 / 360	605 / 348	-	-
<b>NOISE LEVEL (SOUND POWER) BASED ON DB(A) RE 1 PW <sup>(2,4)</sup></b>				
- Ducted / recirculating at power level 1	48 / 57	48 / 57	49 / 55	49 / 56
- Ducted / recirculating at power level 2	54 / 66	54 / 66	57 / 61	57 / 61
- Ducted / recirculating at power level 3	60 / 71	60 / 71	64 / 66	63 / 66
- Ducted / recirculating at power level 4 or intensive level 1	-	-	-	-
- Ducted / recirculating, intensive setting or intensive level 2	70 / 75	69 / 75	-	-
Pipe outlet diameter (mm)	150 / 120	150 / 120	150 / 120	150 / 120
Min. distance above an electric hob / gas hob <sup>5</sup> (mm)	550 / 650	550 / 650	550 / 650	550 / 650
GB plug	●	●	●	●
Energy Rating	B	B	D	D
<b>OPTIONAL ACCESSORIES <sup>6</sup></b>				
CleanAir Standard Recirculation Kit	DWZ1DX114	DWZ1DX114	DWZ1DX114	DWZ1DX114
CleanAir Plus Anti-Pollen Integrated Recirculation Kit	DWZ1DX116	DWZ1DX116	DWZ1DX116	DWZ1DX116

<sup>1</sup>Power automatically reverts back to normal setting after intensive.  
<sup>2</sup>Air Flow and noise declarations made in line with CECEC Code of Conduct.  
<sup>3</sup>Measured according to EN61591 on largest pipe diameter.  
<sup>4</sup>Sound power measured according to EN60704-3 on largest pipe diameter.  
<sup>5</sup>From top of pan supports.  
<sup>6</sup>A type of recirculating kit is required if recirculating. Depending on the model, a 'Recirculating odour filter kit' will consist of the following items: Charcoal filter, flexible hose, air duct, fixing components, installation instructions.

All models comply with COMMISSION REGULATION (EC) No 1275/2008 with regard to ecodesign requirements for standby and off mode electric power consumption.

# Pyramid chimney hoods

## Serie 4

DWQ96DM50B



Slim Pyramid hood: performance and matching design in your kitchen.

HOOD TYPE	SLIM PYRAMID CHIMNEY	SLIM PYRAMID CHIMNEY
DESIGN FAMILY	SERIE 4	SERIE 4
MODEL / WIDTH	DWQ96DM50B/90CM	DWQ66DM50B/60CM
Colour	Stainless Steel	Stainless Steel
<b>KEY FEATURES</b>		
PerfectAir Sensor	-	-
Home Connect	-	-
Hob Hood Control	-	-
EcoSilence Drive Motor	-	-
Intensive setting / Automatic intensive revert <sup>1</sup>	●	●
Filter saturation indicators	-	-
<b>ADDITIONAL PROGRAMMES / FUNCTIONS</b>		
Type of control	Touch control	Touch control
Power levels	3 + 1 intensive	3 + 1 intensive
Electronic power level display	-	-
Lighting	2 x LED lights	2 x LED lights
Softlight with dimmer function	-	-
Automatic after running (minutes)	-	-
Number of metal grease filter cassettes	3	2
Suitable for ducted operation / recirculating	●	●
<b>PERFORMANCE / TECHNICAL INFORMATION</b>		
Appliance width (mm)	900	900
<b>EXTRACTION RATE IN M<sup>3</sup>/H <sup>(2,3)</sup></b>		
- Ducted / recirculating at power level 1	247 / 171	258 / 181
- Ducted / recirculating at power level 2	316 / 248	328 / 257
- Ducted / recirculating at power level 3	389 / 308	410 / 312
- Ducted / recirculating at power level 4 or intensive level 1	-	-
- Ducted / recirculating, intensive setting or intensive level 2	642 / 372	644 / 372
<b>NOISE LEVEL (SOUND POWER) BASED ON DB(A) RE 1 PW <sup>(2,4)</sup></b>		
- Ducted / recirculating at power level 1	48 / 58	50 / 60
- Ducted / recirculating at power level 2	55 / 66	56 / 68
- Ducted / recirculating at power level 3	61 / 71	62 / 72
- Ducted / recirculating at power level 4 or intensive level 1	-	-
- Ducted / recirculating, intensive setting or intensive level 2	70 / 75	70 / 75
Pipe outlet diameter (mm)	150 / 120	150 / 120
Min. distance above an electric hob / gas hob <sup>5</sup> (mm)	550 / 650	550 / 650
GB plug	●	●
Energy Rating	A	A
<b>OPTIONAL ACCESSORIES <sup>6</sup></b>		
CleanAir Standard Recirculation Kit	DWZ1DX114	DWZ1DX114
CleanAir Plus Anti-Pollen Integrated Recirculation Kit	DWZ1DX116	DWZ1DX116

<sup>1</sup>Power automatically reverts back to normal setting after intensive.  
<sup>2</sup>Air Flow and noise declarations made in line with CECEC Code of Conduct.  
<sup>3</sup>Measured according to EN61591 on largest pipe diameter.  
<sup>4</sup>Sound power measured according to EN60704-3 on largest pipe diameter.  
<sup>5</sup>From top of pan supports.  
<sup>6</sup>A type of recirculating kit is required if recirculating. Depending on the model, a 'Recirculating odour filter kit' will consist of the following items: Charcoal filter, flexible hose, air duct, fixing components, installation instructions.



HOOD TYPE	SLIM PYRAMID CHIMNEY			PYRAMID CHIMNEY		
DESIGN FAMILY	SERIE 2			SERIE 2		
MODEL / WIDTH	DWQ94BC50B/90CM DWQ74BC50B/75CM DWQ64BC50B/60CM			DWP94BC50B/90CM DWP74BC50B/75CM DWP64BC50B/60CM		
Colour	Stainless Steel			Stainless Steel		
<b>KEY FEATURES</b>						
PerfectAir Sensor	-			-		
Home Connect	-			-		
Hob Hood Control	-			-		
EcoSilence Drive Motor	-			-		
Intensive setting / Automatic intensive revert <sup>1</sup>	-			-		
Filter saturation indicators	-			-		
<b>ADDITIONAL PROGRAMMES / FUNCTIONS</b>						
Type of control	Push button control	Push button control	Push button control	Push button control	Push button control	Push button control
Power levels	3	3	3	3	3	3
Electronic power level display	-	-	-	-	-	-
Lighting	2 x LED lights	2 x LED lights	2 x LED lights	2 x LED lights	2 x LED lights	2 x LED lights
Softlight with dimmer function	-	-	-	-	-	-
Automatic after running (minutes)	-	-	-	-	-	-
Number of metal grease filter cassettes	3	2	2	3	2	2
Suitable for ducted operation / recirculating	●	●	●	●	●	●
<b>PERFORMANCE / TECHNICAL INFORMATION</b>						
Appliance width (mm)	900	750	600	900	750	600
<b>EXTRACTION RATE IN M<sup>3</sup>/H <sup>(2,3)</sup></b>						
- Ducted / recirculating at power level 1	198 / 125	198 / 125	198 / 118	198 / 129	198 / 129	198 / 127
- Ducted / recirculating at power level 2	263 / 168	263 / 168	263 / 162	263 / 174	263 / 174	263 / 171
- Ducted / recirculating at power level 3	365 / 202	365 / 202	365 / 198	365 / 213	365 / 213	365 / 211
- Ducted / recirculating at power level 4 or intensive level 1	-	-	-	-	-	-
- Ducted / recirculating, intensive setting or intensive level 2	-	-	-	-	-	-
<b>NOISE LEVEL (SOUND POWER) BASED ON DB(A) RE 1 PW <sup>(2,4)</sup></b>						
- Ducted / recirculating at power level 1	50 / 55	50 / 55	50 / 55	50 / 56	50 / 56	50 / 55
- Ducted / recirculating at power level 2	59 / 62	59 / 62	59 / 62	57 / 62	57 / 62	58 / 62
- Ducted / recirculating at power level 3	64 / 66	64 / 66	64 / 65	65 / 67	65 / 67	66 / 67
- Ducted / recirculating at power level 4 or intensive level 1	-	-	-	-	-	-
- Ducted / recirculating, intensive setting or intensive level 2	-	-	-	-	-	-
Pipe outlet diameter (mm)	150 / 120	150 / 120	150 / 120	150 / 120	150 / 120	150 / 120
Min. distance above an electric hob / gas hob <sup>5</sup> (mm)	550 / 650	550 / 650	550 / 650	550 / 650	550 / 650	550 / 650
GB plug	●	●	●	●	●	●
Energy Rating	D	D	D	D	D	D
<b>OPTIONAL ACCESSORIES <sup>6</sup></b>						
CleanAir Standard Recirculation Kit	DWZ1DX114	DWZ1DX114	DWZ1DX114	DHZ5275	DHZ5275	DHZ5275
CleanAir Plus Anti-Pollen Integrated Recirculation Kit	DWZ1DX116	DWZ1DX116	DWZ1DX116	-	-	-

<sup>1</sup>Power automatically reverts back to normal setting after intensive.  
<sup>2</sup>Air Flow and noise declarations made in line with CECEC Code of Conduct.  
<sup>3</sup>Measured according to EN61591 on largest pipe diameter.  
<sup>4</sup>Sound power measured according to EN60704-3 on largest pipe diameter.  
<sup>5</sup>From top of pan supports.  
<sup>6</sup>A type of recirculating kit is required if recirculating. Depending on the model, a 'Recirculating odour filter kit' will consist of the following items: Charcoal filter, flexible hose, air duct, fixing components, installation instructions.

All models comply with COMMISSION REGULATION (EC) No 1275/2008 with regard to ecodesign requirements for standby and off mode electric power consumption.

# Canopy hoods

## Serie 6

DHL785CGB



Bosch canopy cooker hoods are powerful ventilation systems that can be integrated into the cabinets above your hob. The hood provides excellent extraction of steam and cooking smells, as well as providing additional lighting for your cooking surfaces.



HOOD TYPE	CANOPY
DESIGN FAMILY	SERIE 6
MODEL	DHL785CGB
Colour	Stainless Steel
KEY FEATURES	
PerfectAir Sensor	-
Home Connect	-
Hob Hood Control	-
EcoSilence Drive Motor	-
Intensive setting / Automatic intensive revert <sup>1</sup>	●
Filter saturation indicators	-
ADDITIONAL PROGRAMMES / FUNCTIONS	
Type of control	Soft Touch Button Control
Power levels	3 + 1 intensive
Electronic power level display	-
Lighting	2 x LED lights
Softlight with dimmer function	-
Automatic after running (minutes)	-
Number of metal grease filter cassettes	2
Furniture door required	-
Suitable for ducted operation / recirculating	●
PERFORMANCE / TECHNICAL INFORMATION	
Appliance width (mm)	700
EXTRACTION RATE IN M <sup>3</sup> /H <sup>(2,3)</sup>	
- Ducted / recirculating at power level 1	345 / 210
- Ducted / recirculating at power level 2	540 / 270
- Ducted / recirculating at power level 3	630 / 300
- Ducted / recirculating at power level 4 or intensive level 1	-
- Ducted / recirculating, intensive setting or intensive level 2	730 / 310
NOISE LEVEL (SOUND POWER) BASED ON DB(A) RE 1 PW <sup>(2,4)</sup>	
- Ducted / recirculating at power level 1	53 / 67
- Ducted / recirculating at power level 2	63 / 71
- Ducted / recirculating at power level 3	66 / 73
- Ducted / recirculating at power level 4 or intensive level 1	-
- Ducted / recirculating, intensive setting or intensive level 2	69 / 74
Pipe outlet diameter (mm)	150 / 120
Min. distance above an electric hob / gas hob <sup>5</sup> (mm)	500 / 650
GB plug	●
Energy Rating	C
OPTIONAL ACCESSORIES <sup>6</sup>	
Standard Recirculation Filter / Kit	DHZ5605
CleanAir Plus Anti-Pollen Recirculation Kit	DWZ1IX1C6
Long Life Regenerative Recirculation Kit	DWZ1IT1D1

<sup>1</sup> Power automatically reverts back to normal setting after intensive.

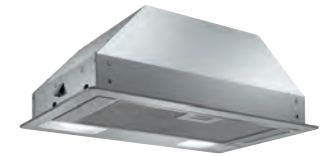
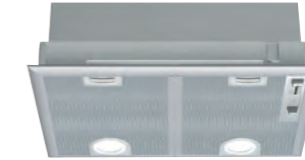
<sup>2</sup> Air Flow and noise declarations made in line with CECEC Code of Conduct.

<sup>3</sup> Measured according to EN61591 on largest pipe diameter.

<sup>4</sup> Sound power measured according to EN60704-3 on largest pipe diameter.

<sup>5</sup> From top of pan supports.

<sup>6</sup> A type of recirculating kit is required if recirculating. Depending on the model, a 'Recirculating odour filter kit' will consist of the following items: Charcoal filter, flexible hose, air duct, fixing components, installation instructions.



HOOD TYPE	CANOPY	CANOPY	CANOPY
DESIGN FAMILY	SERIE 6	SERIE 4	SERIE 2
MODEL	DHL575CGB	DHL555BLGB	DLN53AA70B
Colour	Stainless Steel	Silver Metallic Lacquered	Silver Metallic Lacquered
KEY FEATURES			
PerfectAir Sensor	-	-	-
Home Connect	-	-	-
Hob Hood Control	-	-	-
EcoSilence Drive Motor	-	-	-
Intensive setting / Automatic intensive revert <sup>1</sup>	●	● / -	-
Filter saturation indicators	-	-	●
ADDITIONAL PROGRAMMES / FUNCTIONS			
Type of control	Soft Touch Button Control	Slider Switch Control	Slider Switch Control
Power levels	3 + 1 intensive	3 + 1 intensive	3
Electronic power level display	-	-	-
Lighting	2 x LED lights	2 x LED lights	2 x LED lights
Softlight with dimmer function	-	-	-
Automatic after running (minutes)	-	-	-
Number of metal grease filter cassettes	1	2	1
Furniture door required	-	-	-
Suitable for ducted operation / recirculating	●	●	●
PERFORMANCE / TECHNICAL INFORMATION			
Appliance width (mm)	520	530	534
EXTRACTION RATE IN M <sup>3</sup> /H <sup>(2,3)</sup>			
- Ducted / recirculating at power level 1	295 / 210	196 / 134	130 / 110
- Ducted / recirculating at power level 2	450 / 260	280 / 198	160 / 160
- Ducted / recirculating at power level 3	560 / 290	362 / 268	302 / 300
- Ducted / recirculating at power level 4 or intensive level 1	-	-	-
- Ducted / recirculating, intensive setting or intensive level 2	615 / 300	618 / 395	-
NOISE LEVEL (SOUND POWER) BASED ON DB(A) RE 1 PW <sup>(2,4)</sup>			
- Ducted / recirculating at power level 1	50 / 66	38 / 49	46 / 49
- Ducted / recirculating at power level 2	63 / 71	49 / 58	50 / 53
- Ducted / recirculating at power level 3	67 / 74	56 / 64	62 / 65
- Ducted / recirculating at power level 4 or intensive level 1	-	-	-
- Ducted / recirculating, intensive setting or intensive level 2	70 / 75	68 / 72	-
Pipe outlet diameter (mm)	150 / 120	150 / 120	120
Min. distance above an electric hob / gas hob <sup>5</sup> (mm)	500 / 650	650 / 650	550 / 650
GB plug	●	●	●
Energy Rating	C	C	D
OPTIONAL ACCESSORIES <sup>6</sup>			
Standard Recirculation Filter / Kit	DHZ5605	DHZ7305	DWZ0IN0T0
CleanAir Plus Anti-Pollen Recirculation Kit	DWZ1IX1C6	-	-
Long Life Regenerative Recirculation Kit	DWZ1IT1D1	-	-

<sup>1</sup> Power automatically reverts back to normal setting after intensive.

<sup>2</sup> Air Flow and noise declarations made in line with CECEC Code of Conduct.

<sup>3</sup> Measured according to EN61591 on largest pipe diameter.

<sup>4</sup> Sound power measured according to EN60704-3 on largest pipe diameter.

<sup>5</sup> From top of pan supports.

<sup>6</sup> A type of recirculating kit is required if recirculating. Depending on the model, a 'Recirculating odour filter kit' will consist of the following items: Charcoal filter, flexible hose, air duct, fixing components, installation instructions.

All models comply with COMMISSION REGULATION (EC) No 1275/2008 with regard to ecodesign requirements for standby and off mode electric power consumption.

# Telescopic hoods

Our telescopic hoods with logo design handle and stainless steel filter covers, also have improved installation.



HOOD TYPE	TELESCOPIC	TELESCOPIC	TELESCOPIC
DESIGN FAMILY	SERIE 4	SERIE 4	SERIE 2
MODEL	DFS097A51B	DFS067A51B	DFM063W56B
Colour	Stainless Steel	Stainless Steel	Stainless Steel
<b>KEY FEATURES</b>			
PerfectAir Sensor	-	-	-
Home Connect	-	-	-
Hob Hood Control	-	-	-
EcoSilence Drive Motor	●	●	-
Intensive setting / Automatic intensive revert <sup>1</sup>	●	●	-
Filter saturation indicators	-	-	-
<b>ADDITIONAL PROGRAMMES / FUNCTIONS</b>			
Type of control	Soft Touch Button Control	Soft Touch Button Control	Rocker Switch Control
Power levels	3 + 1 intensive	3 + 1 intensive	2
Electronic power level display	-	-	-
Lighting	3 x LED lights	2 x LED lights	2 x LED lights
Softlight with dimmer function	-	-	-
Automatic after running (minutes)	10	10	-
Number of metal grease filter cassettes	3	2	2
Furniture door required	●	●	●
Suitable for ducted operation / recirculating	●	●	●
<b>PERFORMANCE / TECHNICAL INFORMATION</b>			
Appliance width (mm)	898	598	598
<b>EXTRACTION RATE IN M<sup>3</sup>/H<sup>(2,3)</sup></b>			
- Ducted / recirculating at power level 1	210 / 135	211 / 141	255 / 166
- Ducted / recirculating at power level 2	314 / 221	316 / 226	328 / 182
- Ducted / recirculating at power level 3	397 / 294	399 / 295	-
- Ducted / recirculating at power level 4 or intensive level 1	-	-	-
- Ducted / recirculating, intensive setting or intensive level 2	729 / 476	728 / 483	-
<b>NOISE LEVEL (SOUND POWER) BASED ON DB(A) RE 1 PW<sup>(2,4)</sup></b>			
- Ducted / recirculating at power level 1	41 / 44	41 / 44	58 / 70
- Ducted / recirculating at power level 2	49 / 54	49 / 54	64 / 72
- Ducted / recirculating at power level 3	53 / 61	53 / 61	-
- Ducted / recirculating at power level 4 or intensive level 1	-	-	-
- Ducted / recirculating, intensive setting or intensive level 2	69 / 73	68 / 73	-
Pipe outlet diameter (mm)	150 / 120	150 / 120	150 / 120
Min. distance above an electric hob / gas hob <sup>5</sup> (mm)	430 / 650	430 / 650	430 / 650
GB plug	●	●	●
Energy Rating	A	A	C
<b>OPTIONAL ACCESSORIES<sup>6</sup></b>			
CleanAir Standard Recirculation Kit	DWZ2IT114	DWZ2IT114	DWZ1IT114
CleanAir Plus Anti-Pollen Recirculation Kit	DWZ1IX1C6	DWZ1IX1C6	-
Long Life Regenerative Recirculation Kit	DWZ1IT1D1	DWZ1IT1D1	-

<sup>1</sup>Power automatically reverts back to normal setting after intensive.

<sup>2</sup>Air Flow and noise declarations made in line with CECEC Code of Conduct.

<sup>3</sup>Measured according to EN61591 on largest pipe diameter.

<sup>4</sup>Sound power measured according to EN60704-3 on largest pipe diameter.

<sup>5</sup>From top of pan supports.

<sup>6</sup>A type of recirculating kit is required if recirculating. Depending on the model, a 'Recirculating odour filter kit' will consist of the following items: Charcoal filter, flexible hose, air duct, fixing components, installation instructions.

# Integrated & built-under hoods

Integrated and built-under hoods are a great solution when working with a small space. Both sit under kitchen cabinets and blend seamlessly into any kitchen.



HOOD TYPE	INTEGRATED	INTEGRATED	CONVENTIONAL
DESIGN FAMILY	SERIE 2	SERIE 2	SERIE 2
MODEL / WIDTH	DEM66AC00B	DEM63AC00B	DUL63CC50B
Colour	Silver Metallic Lacquered	Silver Metallic Lacquered	Stainless Steel
<b>KEY FEATURES</b>			
PerfectAir Sensor	-	-	-
Home Connect	-	-	-
Hob Hood Control	-	-	-
EcoSilence Drive Motor	-	-	-
Intensive setting / Automatic intensive revert <sup>1</sup>	-	-	-
Filter saturation indicators	-	-	-
<b>ADDITIONAL PROGRAMMES / FUNCTIONS</b>			
Type of control	Push Button Control	Push Button Control	Push Button Control
Power levels	3	3	3
Electronic power level display	-	-	-
Lighting	2 x LED lights	2 x LED lights	2 x LED lights
Softlight with dimmer function	-	-	-
Automatic after running (minutes)	-	-	-
Number of metal grease filter cassettes	2	2	2
Furniture door required	●	●	-
Suitable for ducted operation / recirculating	●	●	●
<b>PERFORMANCE / TECHNICAL INFORMATION</b>			
Appliance width (mm)	599	599	600
<b>EXTRACTION RATE IN M<sup>3</sup>/H<sup>(2,3)</sup></b>			
- Ducted / recirculating at power level 1	256 / 208	240 / 224	175 / 70
- Ducted / recirculating at power level 2	352 / 320	288 / 256	260 / 90
- Ducted / recirculating at power level 3	625 / 416	368 / 272	350 / 110
- Ducted / recirculating at power level 4 or intensive level 1	-	-	-
- Ducted / recirculating, intensive setting or intensive level 2	-	-	-
<b>NOISE LEVEL (SOUND POWER) BASED ON DB(A) RE 1 PW<sup>(2,4)</sup></b>			
- Ducted / recirculating at power level 1	49 / 57	52 / 64	56 / 66
- Ducted / recirculating at power level 2	56 / 68	56 / 67	65 / 73
- Ducted / recirculating at power level 3	70 / 75	62 / 68	72 / 77
- Ducted / recirculating at power level 4 or intensive level 1	v	-	-
- Ducted / recirculating, intensive setting or intensive level 2	-	-	-
Pipe outlet diameter (mm)	150 / 120	150 / 120	100 / 120
Min. distance above an electric hob / gas hob <sup>5</sup> (mm)	500 / 650	500 / 650	650 / 650
GB plug	●	●	●
Energy Rating	B	D	D
<b>OPTIONAL ACCESSORIES<sup>6</sup></b>			
Standard Recirculation Kit	DWZ0M0A0	DWZ0M0A0	DHZ2701

<sup>1</sup>Power automatically reverts back to normal setting after intensive.

<sup>2</sup>Air Flow and noise declarations made in line with CECEC Code of Conduct.

<sup>3</sup>Measured according to EN61591 on largest pipe diameter.

<sup>4</sup>Sound power measured according to EN60704-3 on largest pipe diameter.

<sup>5</sup>From top of pan supports.

<sup>6</sup>A type of recirculating kit is required if recirculating. Depending on the model, a 'Recirculating odour filter kit' will consist of the following items: Charcoal filter, flexible hose, air duct, fixing components, installation instructions.

# Introducing the Bosch laundry range.

## Effortlessly efficient, load after load.

Our built-in laundry appliances are designed to perform perfectly, load after load. And our advanced technology means your clothes are cleaned effectively and efficiently.

### Serie 8

Perfection in every detail, our **Serie 8** range of laundry appliances stand out from the crowd with superior quality, results and first-class design. Clever features such as the TimeLight take away the guesswork on the progress of the wash. Unique innovations combined with energy efficiency deliver outstanding performance.

### Serie 6

Our **Serie 6** range of laundry appliances offer a broad choice of specialist programmes and deliver high performance and effortless convenience to enhance your lifestyle.

### Serie 4

Models within our **Serie 4** range combine practical features and Bosch quality in a consistent, value for money package.

## Laundry functions explained.



### TimeLight

The time remaining on your cycle is projected onto the floor. You can also view the programme progress status.



### VarioDrum

Select the programme for your wash and the droplet-shaped drum structure and asymmetrical paddles will adjust the drum movements to powerful or gentle.



### EcoSilence Drive

Our washing machines with EcoSilence Drive generate lower noise levels for quieter living.



### Aqua Stop

This security gives you peace of mind that the water will stop in the unlikely event of a leak.



### Reload

Simply pause the cycle and the machine will automatically adjust the water. This allows you to add or remove items of any size to your wash.



### Time Delay

Have your laundry ready when you need it. Just delay the start of your programme with one simple button.



### AntiVibration Design

A spiral design on the side of the washing machine that increases stability and reduces vibration. This makes for a quieter machine with improved sound dampening.



### Capacity

Our built-in washing machines have a drum capacity of up to 8kg, perfect for those busy households.

## Washing machines

## Never miss an item again. Reload by Bosch.

For dropped socks, mistaken items with your whites or forgotten clothes, **Reload** function on Bosch washing machines allows you to add or remove clothing of any size to your washes. Simply pause the cycle and the machine will automatically adjust the water level to allow you to open the door. Reload your items and restart the wash.



## TimeLight.

Bosch washing machines are so quiet sometimes it's hard to tell whether they are on or off, especially on fully-integrated models where there is no visible control panel. The TimeLight indicates the programme status and time remaining onto any floor surface.



# Washing machines

## Ideal for families.

Ideal for families and busy households, the large 8kg capacity means you can wash more laundry in one go. A typical 8kg load could be made of king size bed linen, including 4 pillow cases. So whether you have lots of laundry, or fewer loads but with larger amounts, large capacity will make your laundry life easier.



TYPE	WASHER
DESIGN FAMILY	SERIE 8
MODEL	WIW28502GB
<b>KEY FEATURES</b>	
TimeLight projection on floor	•
Reload function	•
SpeedPerfect	•
Reduced noise wash	•
EcoSilence drive	•
Drum design	VarioDrum
AntiVibration design	•
<b>ADDITIONAL FEATURES</b>	
Time delay	24 hours
Child lock	•
Drum interior light	•
Water protection system	AquaStop
<b>PROGRAMMES/FUNCTIONS</b>	
Eco 40-60	•
Cottons	•
Super Quick 15/30	•
AllergyPlus	-
Easy-care	•
Mixed Load	•
Wool	•
Delicates/Silk	•
Shirts and blouses	•
Sportswear	•
Dark Wash/EasyCare plus/ Jeans	•
Duvet/ Down wear	•
Drum Clean	•
Extra Rinse	•
Pre Wash	•
Rinse/Spin	•
Rinse hold	•
Variable Temperature/Variable Spin	•
<b>PERFORMANCE / TECHNICAL INFORMATION</b>	
Energy efficiency class <sup>1</sup>	<b>A</b> <b>C</b>
Load capacity (kg)	1 - 8
Energy <sup>2</sup> / Water <sup>3</sup> (kWh / litres)	62 / 45
Programme duration <sup>4</sup> (h:mm)	3:26
Maximum spin speed (rpm) <sup>5</sup>	1400
Spin efficiency class	B
Noise level (dB(A) re 1 pW)	66
Noise emission class	A
Dimensions of the product h x w x d (inc. hinge and 19mm door) (mm)	818 x 596 x 544 (574)
Door opening angle	130°
Depth with open door 90° (mm)	956
Height adjustability (mm)	12
Length of electrical supply cord (cm)	210
Length of supply hose/ drain hose (cm)	220 / 220
Door hinge (door porthole)	Left-hand

• = yes - = no

<sup>1</sup> On an energy-efficiency class scale from A to G

<sup>2</sup> Energy consumption in kWh/100 operating cycles (using Eco 40-60 programme)

<sup>3</sup> Water consumption in litres/operating cycle (using Eco 40-60 programme)

<sup>4</sup> Duration of Eco 40-60 programme

<sup>5</sup> The specified value is rounded

Data valid in this table as of April 2021. Subject to modification without prior notice.

## Serie 8

WIW28502GB



5 year warranty - Promotion dates 01.04.22 - 31.03.23. T&C's apply. Online registration required. Selected models only.



TYPE	WASHER
DESIGN FAMILY	SERIE 6
MODEL	WIW28302GB
<b>KEY FEATURES</b>	
TimeLight projection on floor	-
Reload function	•
SpeedPerfect	•
Reduced noise wash	•
EcoSilence drive	•
Drum design	VarioDrum
AntiVibration design	•
<b>ADDITIONAL FEATURES</b>	
Time delay	24 hours
Child lock	•
Drum interior light	•
Water protection system	AquaStop
<b>PROGRAMMES/FUNCTIONS</b>	
Eco 40-60	•
Cottons	•
Super Quick 15/30	-
AllergyPlus	•
Easy-care	•
Mixed Load	•
Wool	•
Delicates/Silk	•
Shirts and blouses	•
Sportswear	-
Dark Wash/EasyCare plus/ Jeans	-
Duvet/ Down wear	-
Drum Clean	-
Extra Rinse	-
Pre Wash	•
Rinse/Spin	•
Rinse hold	•
Variable Temperature/Variable Spin	- / •
<b>PERFORMANCE / TECHNICAL INFORMATION</b>	
Energy efficiency class <sup>1</sup>	<b>A</b> <b>C</b>
Load capacity (kg)	1 - 8
Energy <sup>2</sup> / Water <sup>3</sup> (kWh / litres)	62 / 45
Programme duration <sup>4</sup> (h:mm)	3:26
Maximum spin speed (rpm) <sup>5</sup>	1400
Spin efficiency class	B
Noise level (dB(A) re 1 pW)	66
Noise emission class	A
Dimensions of the product h x w x d (inc. hinge and 19mm door) (mm)	818 x 596 x 544 (574)
Door opening angle	130°
Depth with open door 90° (mm)	956
Height adjustability (mm)	12
Length of electrical supply cord (cm)	210
Length of supply hose/ drain hose (cm)	220 / 220
Door hinge (door porthole)	Left-hand

TYPE	WASHER DRYER	WASHER DRYER
DESIGN FAMILY	SERIE 6	SERIE 4
MODEL	WKD28542GB	WKD28352GB
<b>KEY FEATURES</b>		
Flexi Time (normal/medium/short washing time selection)	•	•
Reduced ironing option	•	•
Reduced noise programme	•	-
Sensor controlled drying	•	-
<b>ADDITIONAL FEATURES</b>		
Time delay (h)	24	24
Foam detection system	•	•
Balance control	•	•
Child lock	•	•
Water protection system	AquaSecure	Multiple water protection
<b>PROGRAMMES/FUNCTIONS</b>		
AllergyPlus	•	-
Super Quick 15	•	-
Eco 40-60	•	•
Cottons	•	•
Easy-care programme	•	•
Wool programme	•	•
Delicates/ Silk	•	•
Intensive wash	•	•
Intensive Dry	•	•
Gentle Dry	•	•
Fluff Clean	•	•
Rinse/ Spin	•	•
Spin/ Drain	•	•
Sportswear	•	-
Mixed Load	•	-
Aqua Plus/ Rinse Plus	•	•
Pre wash	•	•
Variable Temperature/ Variable Spin	•	- / •
<b>PERFORMANCE / TECHNICAL INFORMATION</b>		
Energy efficiency class washing and drying <sup>1</sup>	<b>A</b> <b>E</b>	<b>A</b> <b>E</b>
Energy efficiency class washing <sup>2</sup>	<b>A</b> <b>E</b>	<b>A</b> <b>E</b>
Energy <sup>3</sup> / Water <sup>4</sup> washing and drying (kWh / litres)	266 / 68	266 / 68
Energy <sup>3</sup> / Water <sup>4</sup> washing (kWh / litres)	77 / 44	77 / 44
Load capacity washing and drying / washing (kg)	1 - 4 / 1 - 7	1 - 4 / 1 - 7
Programme duration <sup>5</sup> washing and drying / washing (h:mm)	5:30 / 2:50	5:30 / 2:50
Spin efficiency class	B	B
Spin speed <sup>6</sup> (rpm)	1400	1400
Noise level (dB(A) re 1 pW)	72	72
Noise emission class	A	A
Dimensions of the product h x w x d (inc. hinge and 20mm door) (mm)	820 x 595 x 560 (584)	820 x 595 x 560 (584)
Door opening angle	95°	95°
Depth with open door 90° (mm)	960	960
Height adjustability (mm)	150	150
Length of electrical supply cord (cm)	220	220
Length of supply hose/ drain hose (cm)	200/200	200/200
Door hinge (door porthole)	Left-hand	Left-hand

• = yes - = no

<sup>1,2</sup> On an energy-efficiency class scale from A to G

<sup>3</sup> Energy consumption in kWh/100 complete operating cycles (using Eco 40-60 programme)

<sup>4</sup> Water consumption in litres/complete operating cycle (using Eco 40-60 programme)

<sup>5</sup> Energy consumption in kWh/100 wash cycles (using Eco 40-60 programme)

<sup>6</sup> Water consumption in litres/wash cycle (using Eco 40-60 programme)

<sup>7</sup> Duration of Eco 40-60 programme, complete operating cycle / wash cycle

<sup>8</sup> The specified value is rounded

# Introducing the Bosch dishwasher range.

Our built-in dishwashers offer a range of advanced technologies and additional options across the range to suit your individual requirements.

To help you choose the right Bosch dishwasher, we have divided them into the four ranges below.

## Serie 8

Our **Serie 8** range combines cutting-edge design and advanced technology, including Home Connect. The **PerfectDry** function absorbs moisture before releasing it as hot air for energy-efficient drying. Exceptionally quiet, offering additional storage and flexible loading solutions our **Serie 8** dishwasher is a perfect solution for busy households.

## Serie 6

Our **Serie 6** range comes packed with technology, from energy and water-saving modes to quick washes for when time is at a premium. Home Connect is also available. They also feature our clever **PerfectDry** technology and handy features such as **Max Flex** baskets, **Extra Space** 3rd Basket, **Extra Clean Zone** and **EfficientDry**.

## Serie 4

Our **Serie 4** range of models offer great value for money but does not compromise on Bosch build quality. They combine advanced energy and resource saving features. In addition, they offer **Flex** baskets and **Max Flex** baskets with foldable racks in the top and bottom baskets.

## Serie 2

Our **Serie 2** dishwashers offer you the classic design with easy operation. They are the optimal solution for anyone who wants a reliable appliance with good value for money.



## PerfectDry

### The dish dryer among dishwashers.

A clever function that dries everything to perfection. And we do mean everything – plates, pans, glasses and all plastic items. Everything will be completely clean and perfectly dry, so you'll never have to pick up a tea towel to finish the job again.

The technology behind **PerfectDry** unique to Bosch, is called **Zeolith**. It is a process applied to every cycle that uses naturally occurring minerals, that heat up when they come into contact with water. Clever **Zeolith** beads transform humidity into warm air that speeds up the drying process. The warm air is then distributed evenly over the load.



So when you need a wash with brilliant drying results, it's time to choose Bosch.

## +++ ExtraDry

Want your dishes extra dry? No problem. This function gives you even more drying power when you need it. Just choose the ExtraDry option and more heat will be created to extend your load's drying cycle.



### EfficientDry

Automatically opens your dishwasher door, offering better drying results compared to a closed door (after 30 minutes). Select this feature via the Home Connect app, available on all programmes except pre-rinse and machine care.

Lookout for the new energy efficiency class icons throughout our brochure and on our product pages.



Model shown: SMDBYCX02G

# A dishwasher for every kitchen.

When selecting your built-in dishwasher you can choose from the 2 sizes below, depending on your preference and the space within your kitchen.



Fully Integrated 60cm



Fully Integrated 45cm

## Different types of control.



Grey touch control with LCD display



Grey touch control with LED display

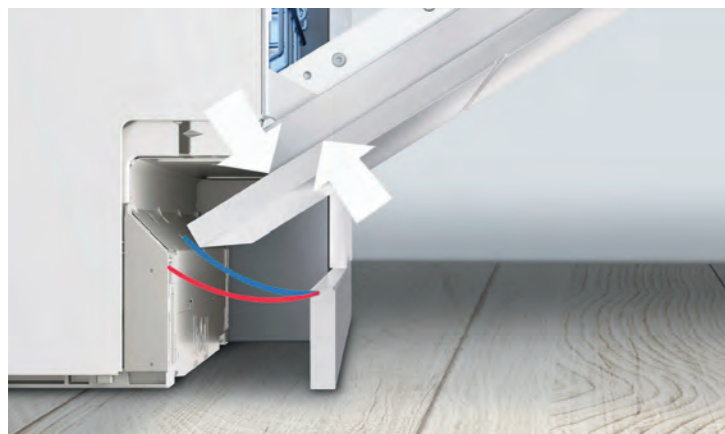


Stainless steel push button control with LED display



Black toggle control with LED display

## VarioHinge.

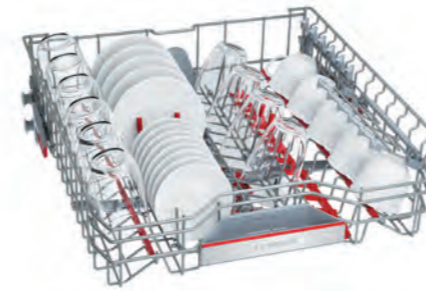


### VarioHinge.

The innovative Vario Hinge system is the optimal solution for challenging built-in dishwashers. In kitchens with a low plinth (<90mm) and extra long furniture fronts the door and appliances might collide into each other. With VarioHinge, the furniture front slides up so the door opens perfectly without collision. This ensures perfect design of a fully integrated kitchen. VarioHinge is available in Serie 4, in 81.5cm height.

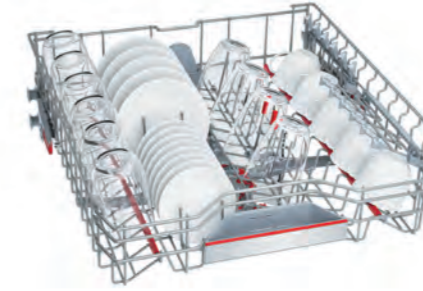
# Where every pot has its place.

Choose the right basket flexibility options for your dishwashing needs.



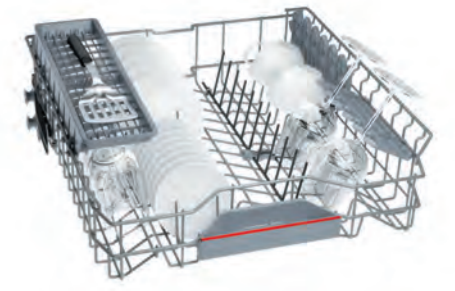
### Max Flex Pro.

Stainless steel fascias. Colour touch points as standard.  
Top rack flexible areas: 6  
Bottom basket flexible areas: 8



### Max Flex.

Brand coloured plastic fascias. Options with and without colour touch points.  
Top rack flexible areas: 2  
Bottom basket flexible areas: 6



### Flex.

Grey plastic fascias.  
Top rack flexible areas: 2  
Bottom basket flexible areas: 2



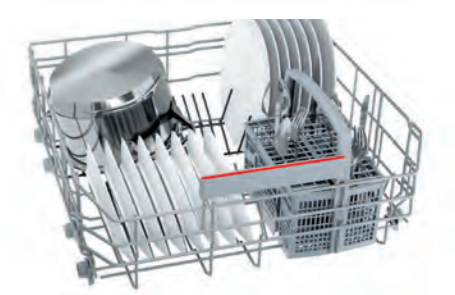
### Extra Space 3rd basket.

New top basket providing more loading space for small kitchen items. With sliding elements and a removable knife inlay, the Extra Space 3rd basket offers more space than ever.



### ExtraClean Zone.

Extra thorough cleaning for heavily soiled items in the upper basket. This intensive zone doesn't need higher temperatures, it uses 3 jets to clean those stubborn items. So no more pre-soaking before going into the dishwasher!



### Glassware support with smooth gliding baskets.

New anti-slip elements and stemware support within the upper basket will give extra protection to all glassware. Baskets will glide effortlessly along the internal brackets, thanks to our new pull out systems.

# Dishwasher functions explained.

(Check model for available functions)



**TimeLight**  
Bosch dishwashers are so quiet sometimes it's hard to tell whether they are on or off, especially on fully-integrated models where there is no visible control panel. The TimeLight indicates the programme status and time remaining onto any floor surface.



**InfoLight**  
Coloured light beam projects onto the floor when the machine cycle is started, and turns off when finished.



**EmotionLight**  
Lights up the dishwasher cavity with 2 white LED lights.



**SpeedPerfect+**  
Our SpeedPerfect+ option reduces programme times without compromising on quality. So you still get hygienically clean and dry dishes but the duration of the cycle\* could be reduced by up to half the time – ideal for busy households and entertaining.  
\*Except: Prewash, 1 hour and Quick 45° programme.



**Place Settings**  
A selection of our dishwashers will hold up to 14 place settings in one load – perfect for larger households.



**Home Connect features**  
Different dishes and glassware need to be washed in different ways. With the Bosch Home Connect app, simply tell your dishwasher what's in the load and it'll work out the perfect programme. One of many Home Connect features.



**Door Open Assist**  
With OpenAssist you can open fully integrated dishwashers by simply touching the front of the unit. This partially opens the door, making it easy to load and unload the dishwasher. The handle-free dishwasher door is the optimal choice for modern designer kitchens with matching-style unit fronts. Activate the electronic child lock for the door to make this a double push to open.



**Self-cleaning filters**  
Self cleaning filter system, with spray arms designed to direct water at the filters on every rotation. Please note, self cleaning references are to reduce chances of filters being blocked during the cycle, regular maintenance of clearing and cleaning filters is still recommended.



**Dosage Assist**  
Get the most out of your detergent with Dosage Assist; a small area at the front of the top basket that catches the tablet when it's released during the cycle. It controls how the tablet is dissolved for optimum performance.



**EfficientDry**  
Automatically opens your dishwasher door, offering better drying results compared to a closed door (after 30 minutes). Select this feature via the Home Connect app, available on all programmes except pre-rinse and machine care.



**ActiveWater**  
Save water with every load and only use the right amount of water needed for each load.



Image used for illustration purposes.

## 10 year anti-rust warranty

Our appliances are made from top quality materials and in addition to our standard appliance warranty, we provide a free of charge warranty against rusting-through of the dishwasher's inner cavity.

## Machine care

Your dishwasher will help look after itself with this smart function. Optimising the water and energy consumption, it works on a short run time of 80-90 minutes at high temperatures. It eliminates limescale and grease deposits inside the dishwasher and works with a standard machine-care detergent. On selected Serie 8 and Serie 6 models, it will even remind you to run the programme every 30 cycles.



## Home Connect features

### Silence On Demand

Up to 30 min noise reduction at any time via the Home Connect App.

### Speed On Demand

Have your load ready even quicker at any time via the Home Connect App.

### Intelligent Programme

Our intelligent programme adapts itself for your maximum satisfaction.

### Programme Assistant

Programme Assistant helps you to customise your dishwasher cycle to achieve optimal results according to your specific needs.

Model shown: SMD8YCX02G

## Bosch dishwasher programmes.

PROGRAMME NAME	ITEMS SUITABLE FOR PROGRAMME	TYPE OF SOILING	ADDITIONAL OPERATIONAL OPTIONS
Economy 50°C	Mixed utensils & cutlery	Part dried, common household food remnants	All
Intensive 70°C	Pots, pans, non-sensitive utensils & cutlery	Very stubborn burned or dried-on food remains containing starch or protein	All
Auto 45-65°C	Mixed utensils & cutlery	Part dried, common household food remnants	All
Glass 40°C	Sensitive utensils, cutlery, temperature-sensitive plastic & glass	Lightly adhering, fresh food remains	IntensiveZone, SpeedPerfect+, Half load, ExtraDry
Silence 50°C	Mixed utensils & cutlery	Part dried, common household food remnants.	IntensiveZone, Half load, Hygiene+, ExtraDry
Pre rinse***	All types of dishes.	Cold rinsing, intermediate cleaning.	None
Express 45°C***	Sensitive utensils, cutlery, temperature-sensitive plastic & glass	Lightly adhering, fresh food remains	ExtraDry
Express 65°C	Mixed utensils & cutlery	Part dried, common household food remnants.	ExtraDry
Express 60°C	Mixed utensils & cutlery	Part dried, common household food remnants	All
Machine Care	Run when empty	Thoroughly cleans your machine - use in combination with a standard machine care detergent	None
Favourite	Available in Serie 8, 6 and 4	Allows you to assign programme and option combinations to the Favourite programme via the control panel or on selected models through the Home Connect App	Pre-set favourite programme is pre-rinse

\*7.5L water consumption on standard Economy 50°C programme.

\*\*Three-course meal as defined by dinner, soup and dessert plate, cup and saucer, glass, knife, fork, soup, tea and dessert spoons for each place setting as well as 1 serving plate, 2 serving bowls, 2 serving spoons, 1 serving fork and 1 sauce spoon.

\*\*\*Programme does not include drying in the cycle.

# 60cm dishwashers



## Serie 8

SMD8YCX02G



TYPE	FULLY INTEGRATED 60CM
DESIGN FAMILY	SERIE 8
MODEL NUMBER	SMD8YCX02G
Control panel colour	Grey
Height (cm) / Hinge type	81.5 / Fixed
<b>DESIGN FEATURES</b>	
Drying system	PerfectDry Zeolith® / EfficientDry
Home Connect WiFi connectivity	●
Control panel type	Touch control + TFT
Basket description	Max Flex Pro
VarioDrawer / Extra Space 3rd Basket (3rd loading level)	VarioDrawer
Extra Clean Zone	●
Status indicator	TimeLight (White)
Door open assist	●
Glass care technology	●
Anti-slip protection and stemware support upper basket	●
Adjustable upper basket	3-stage Rackmatic™
Number of flip times in upper / lower basket	6 / 8
Cup shelves upper / lower baskets	2 / 2
Cutlery holder lower basket	-
Largest loadable dish upper / lower basket (cm)	21 / 31
Load / Aqua sensor	●
Real-time clock	●
Start delay time max hours	24
Emotion light (interior lighting)	●
End of cycle indicator	Acoustic
Salt / Rinse aid light indicator	●
Self cleaning filter system	●
Flood protection system	AquaStop 24h
Safety features	Door lock
<b>PROGRAMMES / FUNCTIONS</b>	
List of programmes	Eco 50 °C, Auto 45-65 °C, Intelligent 40 °C, Intensive 70 °C, Express 60 °C, Express 45 °C, Glass 40 °C, Silence 50 °C, Favourite, Machine Care
Additional special options	Remote Start, Extra Dry, Intensive Zone, Hygiene+, SpeedPerfect+
<b>TECHNICAL SPECIFICATIONS</b>	
Reference programme for measurements	Eco 50 °C
Energy efficiency class <sup>1</sup>	A B
Energy <sup>2</sup> / water <sup>3</sup> : kWh / litres	65 / 9.5
Load capacity (place settings)	14
Programme duration <sup>4</sup> : h:min	3:55
Noise level: dB (A) re 1 pW	43
Noise efficiency class	B
Noise level (silence programme): dB (A) re 1 pW	41
Length of electrical supply cord (cm)	175
Length inlet / outlet hose (cm)	165 / 190
Maximum height for installation (mm)	875
Maximum height adjustability feet (mm)	60
Maximum width for installation (mm)	600
Width / Depth of the product (mm)	598 / 550
Net weight / Gross weight (kg)	44 / 47
Water softener <sup>5</sup>	●
Maximum accepted water hardness (°DH)	50
Maximum temperature for water intake (°C)	60
Interior cavity	Stainless steel
Included accessories	Large item spray head, steam protection plate

● Yes, model has this feature - No, model does not have this feature  
<sup>1</sup> On an energy-efficiency class scale from A to G  
<sup>2</sup> Energy consumption in kWh/100 operating cycles (using Eco programme)  
<sup>3</sup> Water consumption in litres/operating cycle (using Eco programme)  
<sup>4</sup> Duration of Eco programme  
<sup>5</sup> We would recommend our dishwashers are connected to the mains water supply where possible. However, they may also be connected to an external water softener as long as the water softener produces softened water of less than 1.1 mmol/litre (7.0°e) and the water softener in the appliance is turned off. Please contact product advice for further information. Water pressure required: 0.5-10 Bar. Flow rate: 10 litres per minute. Inlet valve connected directly to ½" screwed joint.



## Home Connect

Home Connect is a service offered by Home Connect GmbH.

For more information on Home Connect please visit [www.bosch-home.co.uk](http://www.bosch-home.co.uk)

### Tablet top-up

Smart reordering of dishwasher tablets can be used via the Amazon Alexa app. To use smart reorder via the **Alexa app**, start by enabling the **Home Connect** dishwasher skill.

Automatic replenishment and being reminded via mail is already supported, voice support will follow soon.



Explore more at [bosch-home.co.uk](http://bosch-home.co.uk) / [bosch-home.ie](http://bosch-home.ie)

Data valid in this table as of September 2021. Subject to modification without prior notice.

TYPE	FULLY INTEGRATED 60CM	FULLY INTEGRATED 60CM	FULLY INTEGRATED 60CM	FULLY INTEGRATED 60CM
DESIGN FAMILY	SERIE 6	SERIE 6	SERIE 6	SERIE 6
MODEL NUMBER	SMD6TCX00E	SMD6ZCX60G	SMD6EDXS7G	SMV6ZCX01G
Control panel colour	Stainless steel	Grey	Grey	Stainless steel
Height (cm) / Hinge type	81.5 / Fixed	81.5 / Fixed	81.5 / Fixed	81.5 / Fixed
<b>DESIGN FEATURES</b>				
Drying system	PerfectDry Zeolith® / EfficientDry	PerfectDry Zeolith®	Heat exchanger / EfficientDry	PerfectDry Zeolith®
Home Connect WiFi connectivity	●	●	●	●
Control panel type	Push buttons + LED	Touch control + LED	Touch control + LED	Push buttons + LED
Basket description	Flex	Max Flex	Max Flex	Flex
VarioDrawer / Extra Space 3rd Basket (3rd loading level)	VarioDrawer	VarioDrawer	Extra Space 3rd Basket	VarioDrawer
Extra Clean Zone	-	-	-	-
Status indicator	InfoLight (Red)	TimeLight (White)	TimeLight (White)	TimeLight (White)
Door open assist	●	●	●	-
Glass care technology	●	●	●	●
Anti-slip protection and stemware support upper basket	●	●	●	-
Adjustable upper basket	3-stage Rackmatic™	3-stage Rackmatic™	2-stage Rackmatic™	3-stage Rackmatic™
Number of flip times in upper / lower basket	2 / 2	2 / 6	2 / 6	2 / 2
Cup shelves upper / lower baskets	2 / 2	2 / 2	2 / 2	2 / 2
Cutlery holder lower basket	-	-	●	-
Largest loadable dish upper / lower basket (cm)	21 / 31	21 / 31	21 / 27.5	21 / 31
Load / Aqua sensor	●	●	●	●
Real-time clock	-	-	-	-
Start delay time max hours	24	24	24	24
Emotion light (interior lighting)	-	-	-	-
End of cycle indicator	Acoustic	Acoustic	Acoustic	Acoustic
Salt / Rinse aid light indicator	●	●	●	●
Self cleaning filter system	●	●	●	●
Flood protection system	AquaStop 24h	AquaStop 24h	AquaStop 24h	AquaStop 24h
Safety features	Door lock	Door lock	Door lock	Door lock
<b>PROGRAMMES / FUNCTIONS</b>				
List of programmes	Eco 50 °C, Auto 45-65 °C, Intensive 70 °C, Express 60 °C, Silence 50 °C, Favourite, Machine Care	Eco 50 °C, Auto 45-65 °C, Intensive 70 °C, Express 60 °C, Express 45 °C, Glass 40 °C, Silence 50 °C, Favourite, Machine Care	Eco 50 °C, Auto 45-65 °C, Intensive 70 °C, Express 65 °C, Express 45 °C, Glass 40 °C, Silence 50 °C, Favourite, Machine Care	Eco 50 °C, Auto 45-65 °C, Intensive 70 °C, Express 60 °C, Silence 50 °C, Favourite, Machine Care
Additional special options	Remote Start, Extra Dry, Half Load, SpeedPerfect+	Remote Start, Extra Dry, Intensive Zone, SpeedPerfect+	Remote Start, Extra Dry, Intensive Zone, SpeedPerfect+	Remote Start, Extra Dry, Half Load, SpeedPerfect+
<b>TECHNICAL SPECIFICATIONS</b>				
Reference programme for measurements	Eco 50 °C	Eco 50 °C	Eco 50 °C	Eco 50 °C
Energy efficiency class <sup>1</sup>	A	C	D	C
Energy <sup>2</sup> / water <sup>3</sup> : kWh / litres	54 / 9.5	74 / 7.7	84 / 9.5	75 / 9.5
Load capacity (place settings)	14	13	13	14
Programme duration <sup>4</sup> : h:min	4:55	3:45	4:35	3:55
Noise level: dB (A) re 1 pW	44	44	42	44
Noise efficiency class	B	B	B	B
Noise level (silence programme): dB (A) re 1 pW	42	42	39	42
Length of electrical supply cord (cm)	175	175	175	175
Length inlet / outlet hose (cm)	165 / 190	165 / 190	150 / 190	165 / 190
Maximum height for installation (mm)	875	875	875	875
Maximum height adjustability feet (mm)	60	60	60	60
Maximum width for installation (mm)	600	600	600	600
Width / Depth of the product (mm)	598 / 550	598 / 550	598 / 550	598 / 550
Net weight / Gross weight (kg)	43 / 45	43 / 45	44 / 46	46 / 48
Water softener <sup>5</sup>	●	●	●	●
Maximum accepted water hardness (°DH)	50	50	50	50
Maximum temperature for water intake (°C)	60	60	60	60
Interior cavity	Stainless steel	Stainless steel	Stainless steel	Stainless steel
Included accessories	Steam protection plate	Large item spray head, steam protection plate	Large item spray head, steam protection plate	Large item spray head, steam protection plate

● Yes, model has this feature - No, model does not have this feature  
<sup>1</sup> On an energy-efficiency class scale from A to G  
<sup>2</sup> Energy consumption in kWh/100 operating cycles (using Eco programme)  
<sup>3</sup> Water consumption in litres/operating cycle (using Eco programme)  
<sup>4</sup> Duration of Eco programme  
<sup>5</sup> We would recommend our dishwashers are connected to the mains water supply where possible. However, they may also be connected to an external water softener as long as the water softener produces softened water of less than 1.1 mmol/litre (7.0°e) and the water softener in the appliance is turned off. Please contact product advice for further information. Water pressure required: 0.5-10 Bar. Flow rate: 10 litres per minute. Inlet valve connected directly to ½" screwed joint.

5 year warranty - Promotion dates 01.04.22 - 31.03.23. T&C's apply. Online registration required. Selected models only.

Data valid in this table as of September 2021. Subject to modification without prior notice.

# 60cm dishwashers



TYPE	FULLY INTEGRATED 60CM	FULLY INTEGRATED 60CM	FULLY INTEGRATED 60CM
DESIGN FAMILY	SERIE 4	SERIE 4	SERIE 4
MODEL NUMBER	SMV4HCX40G	SMV4HAX40G	SMH4HVX32G
Control panel	Stainless steel	Stainless steel	Stainless steel
Height (cm) / Hinge type	81.5 / Fixed	81.5 / Fixed	81.5 / VarioHinge
<b>DESIGN FEATURES</b>			
Drying system	Heat exchanger	Heat exchanger	Heat exchanger
Home Connect WiFi connectivity	●	●	●
Control panel type	Push buttons + LED	Push buttons + LED	Push buttons + LED
Basket description	Flex	Flex	VarioFlex
VarioDrawer / Extra Space 3rd Basket (3rd loading level)	VarioDrawer	-	VarioDrawer
Extra Clean Zone	-	-	-
Status indicator	InfoLight (Red)	InfoLight (Red)	InfoLight (Red)
Door open assist	●	●	●
Glass care technology	●	●	●
Anti-slip protection and stemware support upper basket	-	-	-
Adjustable upper basket	3-stage Rackmatic™	3-stage Rackmatic™	3-stage Rackmatic™
Number of flip times in upper / lower basket	2 / 2	2 / 2	2 / 4
Cup shelves upper / lower baskets	2 / 2	2 / -	2 / -
Cutlery holder lower basket	-	●	-
Largest loadable dish upper / lower basket (cm)	21 / 31	27 / 31	21 / 31
Load / Aqua sensor	●	●	●
Real-time clock	-	-	-
Start delay time max hours	24	24	24
Emotion light (interior lighting)	-	-	-
End of cycle indicator	Acoustic	Acoustic	Acoustic
Salt / Rinse aid light indicator	●	●	●
Self cleaning filter system	●	●	●
Flood protection system	AquaStop 24h	AquaStop 24h	AquaStop 24h
Safety features	Door lock	Door lock	Door lock
<b>PROGRAMMES / FUNCTIONS</b>			
List of programmes	Eco 50 °C, Auto 45-65 °C, Intensive 70 °C, Express 65 °C, Silence 50 °C, Favourite, Machine Care	Eco 50 °C, Auto 45-65 °C, Intensive 70 °C, Express 65 °C, Silence 50 °C, Favourite, Machine Care	Eco 50 °C, Auto 45-65 °C, Intensive 70 °C, Express 65 °C, Glass 40 °C, Favourite, Machine Care
Additional operational options	Extra Dry, Half Load, SpeedPerfect+	Extra Dry, Half Load, SpeedPerfect+	Extra Dry, Hygiene+, SpeedPerfect+
<b>TECHNICAL SPECIFICATIONS</b>			
Reference programme for measurements	Eco 50 °C	Eco 50 °C	Eco 50 °C
Energy efficiency class <sup>1</sup>	A D	A D	A E
Energy <sup>2</sup> / water <sup>3</sup> : kWh / litres	85 / 9.5	84 / 9.5	94 / 9.5
Load capacity (place settings)	14	13	13
Programme duration <sup>4</sup> : h:min	4:55	4:55	3:45
Noise level: dB (A) re 1 pW	46	46	46
Noise efficiency class	C	C	C
Noise level (silence programme): dB (A) re 1 pW	43	42	-
Length of electrical supply cord (cm)	175	175	175
Length inlet / outlet hose (cm)	165 / 190	165 / 190	165 / 190
Maximum height for installation (mm)	875	875	875
Maximum height adjustability feet (mm)	60	60	60
Maximum width for installation (mm)	600	600	600
Width / Depth of the product (mm)	598 / 550	598 / 550	598 / 550
Net weight / Gross weight (kg)	35 / 37	34 / 36	37 / 39
Water softener <sup>5</sup>	●	●	●
Maximum accepted water hardness (°DH)	50	50	50
Maximum temperature for water intake (°C)	60	60	60
Interior cavity	Stainless steel	Stainless steel	Stainless steel / Polinox base
Included accessories	Large item spray head, Steam protection plate	Large item spray head, Steam protection plate	Large item spray head, Steam protection plate

● Yes, model has this feature - No, model does not have this feature  
<sup>1</sup> On an energy-efficiency class scale from A to G  
<sup>2</sup> Energy consumption in kWh/100 operating cycles (using Eco programme)  
<sup>3</sup> Water consumption in litres/operating cycle (using Eco programme)  
<sup>4</sup> Duration of Eco programme  
<sup>5</sup> We would recommend our dishwashers are connected to the mains water supply where possible. However, they may also be connected to an external water softener as long as the water softener produces softened water of less than 1.1 mmo/litre (7.0°e) and the water softener in the appliance is turned off. Please contact product advice for further information. Water pressure required: 0.5-10 Bar. Flow rate: 10 litres per minute. Inlet valve connected directly to ½" screwed joint.  
 Data valid in this table as of September 2021. Subject to modification without prior notice.

TYPE	FULLY INTEGRATED 60CM	FULLY INTEGRATED 60CM	FULLY INTEGRATED 60CM	FULLY INTEGRATED 60CM	FULLY INTEGRATED 60CM
DESIGN FAMILY	SERIE 4	SERIE 4	SERIE 2	SERIE 2	SERIE 2
MODEL NUMBER	SMV4HVX38G	SMV4HTX27G	SMV2HAX02G	SMV2ITX22G	SMV2ITX18G
Control panel	Stainless steel	Stainless steel	Black	Black	Black
Height (cm) / Hinge type	81.5 / Fixed	81.5 / Fixed	81.5 / Fixed	81.5 / Fixed	81.5 / Fixed
<b>DESIGN FEATURES</b>					
Drying system	Heat exchanger	Heat exchanger	Heat exchanger	Inherent heat	Inherent heat
Home Connect WiFi connectivity	●	●	●	●	●
Control panel type	Push buttons + LED	Push buttons + LED	Toggle control + LED	Push buttons + LED	Push buttons + LED
Basket description	VarioFlex	VarioFlex	Flex	Vario	Normal
VarioDrawer / Extra Space 3rd Basket (3rd loading level)	VarioDrawer	-	-	-	-
Extra Clean Zone	-	-	-	-	-
Status indicator	InfoLight (Red)	InfoLight (Red)	InfoLight (Red)	InfoLight (Red)	InfoLight (Red)
Door open assist	●	●	●	●	●
Glass care technology	●	●	●	●	●
Anti-slip protection and stemware support upper basket	-	-	-	-	-
Adjustable upper basket	3-stage Rackmatic™	3-stage Rackmatic™	3-stage Rackmatic™	Adjustable when empty	-
Number of flip times in upper / lower basket	2 / 4	2 / 4	2 / 2	- / 2	-
Cup shelves upper / lower baskets	2 / -	2 / -	2 / -	-	2 / -
Cutlery holder lower basket	-	●	●	●	●
Largest loadable dish upper / lower basket (cm)	21 / 31	27 / 31	27 / 31	27 / 31	22 / 31
Load / Aqua sensor	●	●	●	●	●
Real-time clock	-	-	-	-	-
Start delay time max hours	24	24	9	9	9
Emotion light (interior lighting)	-	-	-	-	-
End of cycle indicator	Acoustic	Acoustic	Acoustic	Acoustic	Acoustic
Salt / Rinse aid light indicator	●	●	●	●	●
Self cleaning filter system	●	●	●	●	●
Flood protection system	AquaStop 24h	AquaStop 24h	AquaStop 24h	AquaStop 24h	AquaStop 24h
Safety features	Door lock	Door lock	Door lock	Door lock	Door lock
<b>PROGRAMMES / FUNCTIONS</b>					
List of programmes	Eco 50 °C, Auto 45-65 °C, Intensive 70 °C, Express 65 °C, Glass 40 °C, Favourite, Machine Care	Eco 50 °C, Auto 45-65 °C, Intensive 70 °C, Express 65 °C, Glass 40 °C, Machine Care	Eco 50 °C, Auto 45-65 °C, Intensive 70 °C, Express 65 °C, Machine Care	Eco 50 °C, Auto 45-65 °C, Intensive 70 °C, Express 65 °C, Machine Care	Eco 50 °C, Auto 45-65 °C, Intensive 70 °C, Express 65 °C, Machine Care
Additional operational options	Extra Dry, Half Load, SpeedPerfect+	Extra Dry, Hygiene+, SpeedPerfect+	Extra Dry, Hygiene+, SpeedPerfect+	Extra Dry, Half Load, SpeedPerfect	Extra Dry, Half Load, SpeedPerfect
<b>TECHNICAL SPECIFICATIONS</b>					
Reference programme for measurements	Eco 50 °C	Eco 50 °C	Eco 50 °C	Eco 50 °C	Eco 50 °C
Energy efficiency class <sup>1</sup>	A D	A E	A D	A E	A E
Energy <sup>2</sup> / water <sup>3</sup> : kWh / litres	84 / 9.5	92 / 9.5	84 / 9.5	92 / 10.5	92 / 10.5
Load capacity (place settings)	13	12	13	12	12
Programme duration <sup>4</sup> : h:min	5:20	3:45	4:55	4:30	4:30
Noise level: dB (A) re 1 pW	46	48	48	48	48
Noise efficiency class	C	C	C	C	C
Noise level (silence programme): dB (A) re 1 pW	-	-	-	-	-
Length of electrical supply cord (cm)	175	175	175	175	175
Length inlet / outlet hose (cm)	165 / 190	165 / 190	165 / 190	165 / 190	165 / 190
Maximum height for installation (mm)	875	875	875	875	875
Maximum height adjustability feet (mm)	60	60	60	60	60
Maximum width for installation (mm)	600	600	600	600	600
Width / Depth of the product (mm)	598 / 550	598 / 550	598 / 550	598 / 550	598 / 550
Net weight / Gross weight (kg)	34 / 37	33 / 35	34 / 36	31 / 33	31 / 33
Water softener <sup>5</sup>	●	●	●	●	●
Maximum accepted water hardness (°DH)	50	50	50	35	35
Maximum temperature for water intake (°C)	60	60	60	60	60
Interior cavity	Stainless steel / Polinox base	Stainless steel / Polinox base	Stainless steel	Stainless steel / Polinox base	Stainless steel / Polinox base
Included accessories	Large item spray head, Steam protection plate	Large item spray head, Steam protection plate	Large item spray head, Steam protection plate	Large item spray head, Steam protection plate	Large item spray head, Steam protection plate

● Yes, model has this feature - No, model does not have this feature  
<sup>1</sup> On an energy-efficiency class scale from A to G  
<sup>2</sup> Energy consumption in kWh/100 operating cycles (using Eco programme)  
<sup>3</sup> Water consumption in litres/operating cycle (using Eco programme)  
<sup>4</sup> Duration of Eco programme  
<sup>5</sup> We would recommend our dishwashers are connected to the mains water supply where possible. However, they may also be connected to an external water softener as long as the water softener produces softened water of less than 1.1 mmo/litre (7.0°e) and the water softener in the appliance is turned off. Please contact product advice for further information. Water pressure required: 0.5-10 Bar. Flow rate: 10 litres per minute. Inlet valve connected directly to ½" screwed joint.  
 Data valid in this table as of September 2021. Subject to modification without prior notice.

# 45cm dishwashers



TYPE	FULLY INTEGRATED 45CM	FULLY INTEGRATED 45CM
DESIGN FAMILY	SERIE 4	SERIE 2
MODEL NUMBER	SPV4EMX21G	SPV2HKX39G
Control panel	Stainless steel	Black
Height (cm) / Hinge type	81.5 / Fixed	81.5 / Fixed
<b>DESIGN FEATURES</b>		
Drying system	Heat exchanger	Heat exchanger
Home Connect WiFi connectivity	●	●
Control panel type	Push buttons + LED	Toggle control + LED
Basket description	VarioFlex	-
VarioDrawer / Extra Space 3rd Basket (3rd loading level)	VarioDrawer	-
Extra Clean Zone	-	-
Status indicator	TimeLight (White)	InfoLight (Red)
Door open assist	-	-
Glass care technology	●	●
Anti-slip protection and stemware support upper basket	-	-
Adjustable upper basket	3-stage Rackmatic™	Adjustable when empty
Number of flip tines in upper / lower basket	2 / 2	- / 2
Cup shelves upper / lower baskets	1 / 1	- / -
Cutlery holder lower basket	-	●
Largest loadable dish upper / lower basket (cm)	21 / 31	27 / 31
Load / Aqua sensor	●	●
Real-time clock	-	-
Start delay time max hours	24	9
Emotion light (interior lighting)	-	-
End of cycle indicator	Acoustic	Acoustic
Salt / Rinse aid light indicator	●	●
Self cleaning filter system	●	●
Flood protection system	AquaStop 24h	AquaStop 24h
Safety features	Door lock	Door lock
<b>PROGRAMMES / FUNCTIONS</b>		
List of programmes	Eco 50 °C, Auto 45-65 °C, Intensive 70 °C, Express 65 °C, Silence 50 °C, Favourite, Machine Care	Eco 50 °C, Auto 45-65 °C, Intensive 70 °C, Express 65 °C, Machine Care
Additional operational options	Remote Start, EfficientDry, Intensive Zone, SpeedPerfect+	Extra Dry, SpeedPerfect+
<b>TECHNICAL SPECIFICATIONS</b>		
Reference programme for measurements	Eco 50 °C	Eco 50 °C
Energy efficiency class <sup>1</sup>		
Energy <sup>2</sup> / water <sup>3</sup> : kWh / litres	67 / 9.5	70 / 8.5
Load capacity (place settings)	10	9
Programme duration <sup>4</sup> : h:min	3:30	3:40
Noise level: dB (A) re 1 pW	45	48
Noise efficiency class	C	C
Noise level (silence programme): dB (A) re 1 pW	42	-
Length of electrical supply cord (cm)	175	175
Length inlet / outlet hose (cm)	165 / 205	165 / 205
Maximum height for installation (mm)	875	875
Maximum height adjustability feet (mm)	60	60
Maximum width for installation (mm)	450	450
Width / Depth of the product (mm)	448 / 550	448 / 550
Net weight / Gross weight (kg)	30 / 32	30 / 32
Water softener <sup>5</sup>	●	●
Maximum accepted water hardness (°DH)	50	35
Maximum temperature for water intake (°C)	60	60
Interior cavity	Stainless steel	Stainless steel
Included accessories	Large item spray head, Steam protection plate	Large item spray head, Steam protection plate

● Yes, model has this feature - No, model does not have this feature  
<sup>1</sup> On an energy-efficiency class scale from A to G  
<sup>2</sup> Energy consumption in kWh/100 operating cycles (using Eco programme)  
<sup>3</sup> Water consumption in litres/operating cycle (using Eco programme)  
<sup>4</sup> Duration of Eco programme  
<sup>5</sup> We would recommend our dishwashers are connected to the mains water supply where possible. However, they may also be connected to an external water softener as long as the water softener produces softened water of less than 1.1 mmol/litre (7.0°e) and the water softener in the appliance is turned off. Please contact product advice for further information. Water pressure required: 0.5-10 Bar. Flow rate: 10 litres per minute. Inlet valve connected directly to 3/4" screwed joint. Data valid in this table as of September 2021. Subject to modification without prior notice.

For full specification details, please log onto our website and download a full specification sheet.

Explore more at [bosch-home.co.uk](https://bosch-home.co.uk) / [bosch-home.ie](https://bosch-home.ie)

# Introducing the Bosch refrigeration range.

Save more, waste less. Our range of built-in fridge freezers are packed with innovative technology to keep your food fresh for longer, so you'll throw out less and save on your weekly shopping bill.

To help you choose the right appliance, we have divided them into the four ranges below.

**Serie 8**  
 Cutting-edge design meets advanced technologies. All models in our **Serie 8** range are packed with features that save valuable time, effort and money – perfect for modern, busy households.

**Serie 6**  
 Our **Serie 6** range of appliances combines efficient performance with convenient storage and superior food preservation.

**Serie 4**  
 All models in our **Serie 4** range combine practical features with Bosch build quality.

**Serie 2**  
 Built for optimal food storage, the **Serie 2** refrigeration range is just as practical as it is value for money.



Fridge freezer shown: KIF86PFE0

Making life easy through innovative technologies

# Selecting the Right Refrigeration for You



## Built-in fridge freezer

Built-in fridge freezers blend seamlessly into your kitchen cabinets, making it easy to access your chilled food, and still provide plenty of storage for your frozen goods. Select from a variety of options to suit your needs for either larger fridges or freezers.



## Built-in fridge

Built-in fridges integrated into your kitchen cabinets. Add to the expanded space you have for keeping your chilled food fresh.



## Built-in freezer

Bosch has a wide range of built-in freezers to suit every kitchen size. From tall upright freezers to compact under counter models, all Bosch freezers are built to maximise storage space and minimise energy consumption.



## Built-under fridge and freezer

Our built-under fridges and freezers are ideal for those limited on space within the kitchen. Under-counter cooling solutions will allow you to have easy access to your chilled food, all while being discreetly tucked behind the door.



## Multi-door fridge freezers

Multi-door refrigerators are stylish and spacious, giving you copious amounts of room to store your chilled and frozen food. In addition to the premium design, some of these fridge freezers also contain impressive features such as ice and chilled water dispensers. Or, if you don't have a water connection, select our model with a built-in water tank.

## Hinges to fit in with your kitchen.

### Fixed hinge

Fixed hinges allow heavier furniture doors to be fitted to the appliance, ideal for kitchen cabinets made from heavier hard wood. This also allows the door to be open at a wider angle, making the whole fridge cavity easily accessible.



### Sliding hinge

Sliding hinges are designed for integrated kitchens and are designed to sit between the appliance and the kitchen furniture, which is secured by a number of brackets. As you open the furniture door, the appliance door also opens, thanks to the series of brackets.



### Quietly does it

As there could be many small and larger hands opening and shutting the fridge door, it's nice to know that we've integrated **SoftClosing doors** in many models – so doors don't get left open accidentally.



### Easy-to-clean magnetic door seals

The magnetic door seals on all of our refrigeration ranges are **removable**, making them easy to clean and/or replace when necessary.





Whichever model you choose, you'll find a lot of reasons to love our Bosch cooling appliances.

#### NoFrost.

Never worry about having to defrost the freezer again. The NoFrost system prevents the build up of ice by automatically initiating the defrost operation as required. This also helps to maintain the appliance's energy efficiency.

#### LowFrost.

LowFrost cuts ice build up by half, meaning you have to defrost your freezer less often - compared to approximately every three months for a static freezer - saving you energy and time.

#### SuperFreeze & SuperCool.

Activating the SuperFreeze function before you go shopping lowers the temperature for a short period, so anything new put into the freezer is frozen quickly. SuperCool function on your fridge performs a similar task, keeping everything at the right storage temperature.

### VitaFresh

With **VitaFresh**, you'll be able to store your fruit and vegetables safely to lock in the freshness. And with an adjustable humidity setting on the drawer, you'll be keeping your fresh food in a perfectly controlled environment.

There are two drawer solutions; You'll either find one big drawer for fish and meat or two drawers, one for fish and one for meat. All with a temperature regulating slider which lets you lower the temperature up to 4°C lower than the rest of the fridge.



#### Save time with flexible storage.

Put away the weekly shop more easily, and get what you need faster too, thanks to height adjustable shelves and fully extendable drawers. The **EasyLift door shelf** can be raised to make space for taller items to be stored in the door. The **EasyAccess shelf** can be conveniently extended, making it easier to view the food in your fridge.

#### More space.

Our freezers are extra spacious meaning you will find it easy to fit everything in - perfect for busy households. The extra large **BigBox** is big enough for large bulky items.

### VitaFresh<sup>plus</sup>

The **Serie 6** fridge-freezers help you to live healthier. They not only offer you plenty of room for fresh foods, drinks and even big pots and bowls, but also the technology to store them optimally.

The **VitaFresh plus** freshness system guarantees ideal storage conditions at any time and ensures that fish, meat, fruit and vegetables stay fresh for longer. This makes our Serie 6 fridge-freezer not only optimal for your food, but also for yourself.

**VitaFresh plus** models have the added benefit of a convenient push button for humidity control.

### VitaFresh<sup>pro</sup>

The **Serie 8** fridges feature our best freshness system **VitaFresh pro**. It keeps food fresh for longer with temperatures from -1°C to +3°C while maintaining the perfect humidity level.

This combination of temperature and humidity helps you to protect all the aromas, essential nutrients and valuable vitamins in your fresh food. Hence, it's easier than ever to maintain a healthy diet with fresh fruit and vegetables every day.



## Refrigeration functions explained.

(Check model for available functions.)



#### NoFrost

Never defrost again, thanks to perfect protection from ice formation that saves time and effort.



#### LowFrost

Defrost less often thanks to lower ice formation, saving work and energy.



#### BigBox

An extra-deep frozen food drawer makes stacking frozen foods containers or large frozen items like a large Christmas Turkey or pizza boxes easier.



#### MultiBox

Transparent drawer with wave bottom, ideal for the storage of fruits and vegetables.



#### SuperCool

Activating the SuperCooling function before you go shopping lowers the temperature for a short period, so your fresh shopping is kept at the right temperature.



#### SuperFreeze

The SuperFreeze function temporarily lowers the temperature in the freezer for when you have new shopping to load in, protecting both new and existing food.



#### Safety Glass

Strong glass shelves ensure heavier items can be stored safely.



#### EasyShelf Access

The shatterproof, frameless glass shelves are particularly easy to use, thanks to the smooth pull-out mechanism. And they also give you a clear view of your food at any time.



#### MultiAirflow

The fan-assisted MultiAirflow System causes gentle, even currents of cold air to emerge at all levels of the chilling and freezing area. Temperature fluctuations are minimised and cooling times reduced.

Lookout for the new energy efficiency class icons throughout our brochure and on our product pages.



# Wine coolers

The range of stylish Bosch wine coolers blend seamlessly into your kitchen, while constantly keeping your red and white wine perfectly stored and at an ideal temperature.



- 2 temperature zones: ranging from 5°C to 20°C
- Oak shelves: With telescopic rails.
- Interior LED light bar: With on/off function for presentation.

TYPE		BUILT UNDER
DESIGN FAMILY		SERIE 6
MODEL NUMBER		KUW21AHGOG
Colour of side panels	Black	
Type of glass door	3 glass panels, UV-filtered	
Style of handle	Vertical bar handle	
Colour of handle	Black	
Type of hinge (reversible)	Fixed	
Home connect	-	
KEY FEATURES		
Range of temperature (°C)	5 - 20	
Temperature zones	2	
Light	LED	
Type of control	Digital	
Number of shelves	5	
Number of oak shelves	3	
Number of adjustable shelves	-	
Presenter shelf and lighting	-	
Capacity in 0.75l (Bordeaux bottles)	44	
Warning signal door open	●	
Child lock	-	
ADDITIONAL INFORMATION		
Energy efficiency class	A G	
Energy consumption annual kWh <sup>1</sup>	130	
Refrigerator net capacity (litres)	108	
Climate class <sup>2</sup>	SN-ST	
Noise level dB(A) re 1 pW	38	
Noise emission class	C	
Height of product (mm)	818	
Width of product (mm)	598	
Depth of product (mm)	581	

TYPE		BUILT UNDER
DESIGN FAMILY		SERIE 6
MODEL NUMBER		KUW20VHFOG
Colour of side panels	Black	
Type of glass door	3 glass panels, UV-filtered	
Style of handle	Vertical bar handle	
Colour of handle	Black	
Type of hinge (reversible)	Fixed	
Home connect	-	
KEY FEATURES		
Range of temperature (°C)	5 - 20	
Temperature zones	1	
Light	LED	
Type of control	Digital	
Number of shelves	4	
Number of oak shelves	3	
Number of adjustable shelves	-	
Presenter shelf and lighting	-	
Capacity in 0.75l (Bordeaux bottles)	21	
Warning signal door open	●	
Child lock	-	
ADDITIONAL INFORMATION		
Energy efficiency class	A F	
Energy consumption annual kWh <sup>1</sup>	100	
Refrigerator net capacity (litres)	56	
Climate class <sup>2</sup>	SN-ST	
Noise level dB(A) re 1 pW	38	
Noise emission class	C	
Height of product (mm)	818	
Width of product (mm)	298	
Depth of product (mm)	567	

- Wooden oak shelves
- Interior light with on/off function for presentation
- Changeable hinge



# Multi-door fridge freezers

## The best of both worlds

Get the look and feel of a classic American Style but with a full width XXL fridge capacity for effortless organisation.



### ✓ XXL capacity:

A spacious fridge-freezer, that doesn't take up too much space in your kitchen, it gives you the flexibility to organise your food how you like it.

### ✓ Efficient cooling:

VitaFresh XXL means your fruit & veg, and meat & fish stay fresh for longer.

✓ **NoFrost:** Never worry about defrosting your fridge-freezer again.

### ✓ Super storage:

Two NoFrost Big Boxes in each freezer cavity are perfect for stacking frozen food containers or catering for a family gathering.

# Multi-door fridge freezers



# American fridge freezers



TYPE	FRENCH	MULTI-DOOR	MULTI-DOOR
DESIGN FAMILY	SERIE 8	SERIE 6	SERIE 4
MODEL NUMBER	KFF96PIEP	KFN96APEAG	KFN96VPEAG
Colour of door panels	Innox, easy clean	Stainless steel, easy clean	Stainless steel, easy clean
Colour of sides	Innox	Cast iron	Grey
Style of handle	Horizontal and vertical bar handle	Horizontal and vertical bar handle	Horizontal and vertical bar handle
Colour of handle	Stainless steel	Black	Black
NoFrost in fridge and freezer	●	●	●
Home Connect, WiFi dongle included	●/-	●/-	-
FOOD FRESHNESS SYSTEM			
vitaFresh / Fresh Safe / hyperFresh	3 vitaFresh plus drawers with telescopic rails, 1 Chiller drawer	1 vitaFresh plus drawer with telescopic rails, 1 BigBox drawer with telescopic rails, 1 Chiller drawer	BigBox drawer, 1 Chiller drawer
KEY FEATURES – FRIDGE SECTION			
Product highlights	LED	LED	LED
Water dispenser	Internal	-	-
SuperCool	●	●	●
Type of control	Electronic	Electronic	Electronic
Number of shelves	4	4	3
Number of adjustable shelves	3	3	2
Shelves for bottles	1	-	-
Number of door bins / shelves	6	5	5
Temperature display	Digital	Digital	Digital
Warning signal door open	Visual and audible	Visual and audible	Visual and audible
KEY FEATURES – FREEZER SECTION			
Door opened indicator	Visual and audible	Visual and audible	Visual and audible
SuperFreeze function	●	●	●
Temperature adjustable in freezer	●	●	●
Number of ice cube trays	Automatic ice cube maker	-	-
Ice dispenser features	Internal, Ice cubes	-	-
Number of freezer drawers	2	6	6
ADDITIONAL INFORMATION			
Energy efficiency class	A G E	A G E	A G E
Energy consumption annual kWh <sup>1</sup>	333 kWh/a	333 kWh/a	333 kWh/a
Total net capacity (litres)	573	605	605
Refrigerator net capacity (litres)	402	405	405
Freezer net capacity (litres)	171	200	200
Climate class <sup>2</sup>	SN-T	SN-T	SN-T
Noise level dB(A) re 1 pW	39 Db	38 dB	38 dB
Noise emission class	C	C	C
Additional accessories included	-	3 x egg tray	3 x egg tray
Height of product (mm)	1830	1830	1830
Width of product (mm)	905	910	910
Depth of product (mm)	706	730	730

5 year warranty - Promotion dates 01.04.22 – 31.03.23. T&C's apply. Online registration required. Selected models only.

● = yes - = no  
<sup>1</sup>Actual energy consumption will depend on how the appliance is used and where it is located.  
<sup>2</sup>Climate zone SN = designed to operate in ambient temperatures of +10°C to 32°C.  
 Climate zone T = designed to operate in ambient temperatures of +18°C to 43°C.

AMERICAN	AMERICAN	AMERICAN	AMERICAN	AMERICAN
SERIE 8	SERIE 6	SERIE 6	SERIE 6	SERIE 4
KAG93AIEPG	KAD93VIFPG	KAD93VBFPG	KAI93VIFPG	KAN93VIFPG
Stainless steel, easy clean	Stainless steel, easy clean	Black	Stainless steel, easy clean	Stainless steel, easy clean
Grey	Grey	Grey	Grey	Grey
Vertical bar handle	Vertical bar handle	Vertical bar handle	Vertical bar handle	Vertical bar handle
Stainless steel	Stainless steel	Stainless steel	Stainless steel	Stainless steel
●	●	●	●	●
-	-	-	-	-
FOOD FRESHNESS SYSTEM				
2 MultiBox drawer on rails	2 MultiBox drawers on rails	2 MultiBox drawers on rails	2 MultiBox drawers on rails	2 MultiBox drawers on rails
KEY FEATURES – FRIDGE SECTION				
LED	LED	LED	LED	LED
-	-	-	-	-
●	●	●	●	●
Electronic	Electronic	Electronic	Electronic	Electronic
5	5	5	5	5
-	-	-	-	-
1	-	-	-	-
5	5	5	5	5
Digital	Digital	Digital	Digital	Digital
Visual and audible	Visual and audible	Visual and audible	Visual and audible	Visual and audible
KEY FEATURES – FREEZER SECTION				
Visual and audible	Visual and audible	Visual and audible	Visual and audible	Visual and audible
●	●	●	●	●
●	●	●	●	●
Automatic ice cube maker	Automatic ice cube maker	Automatic ice cube maker	Automatic ice cube maker	-
Crushed ice, Homebar, Ice cubes, Water, Water filter	Crushed ice, Ice cubes, Water, Water filter	Crushed ice, Ice cubes, Water, Water filter	Crushed ice, Ice cubes, Water	-
2	2	2	2	-
ADDITIONAL INFORMATION				
A G E	A G F	A G F	A G F	A G F
323 kWh/a	404 kWh/a	404 kWh/a	404 kWh/a	413 kWh/a
560	562	562	562	580
369	371	371	371	372
191	191	191	191	208
SN-T	SN-T	SN-T	SN-T	SN-T
42 dB	42 dB	42 dB	42 dB	42 dB
D	D	D	D	D
1 x connection hose, 1 x egg tray	1 x connection hose, 1 x egg tray	1 x connection hose, 1 x egg tray	1 x egg tray	1 x egg tray
1787	1787	1787	1787	1787
908	908	908	908	908
707	707	707	707	707

● = yes - = no  
<sup>1</sup>Actual energy consumption will depend on how the appliance is used and where it is located.  
<sup>2</sup>Climate zone SN = designed to operate in ambient temperatures of +10°C to 32°C.  
 Climate zone T = designed to operate in ambient temperatures of +18°C to 43°C.

# NoFrost bottom freezers

## Serie 8

KIF86PFE0



TYPE	BOTTOM FREEZER
DESIGN FAMILY	SERIE 8
MODEL NUMBER	KIF86PFE0
Fridge / Freezer split	60 / 40
NoFrost	●
LowFrost or Manual defrost	-
Soft Close hinge	-
Type of hinge (reversible)	Fixed hinge
Home Connect	-
FOOD FRESHNESS SYSTEM	
VitaFresh	1 VitaFresh Premium 0°C drawer
KEY FEATURES – FRIDGE SECTION	
Light	LED
SuperCool	●
Type of control	Electronic
Number of shelves	3
Number of adjustable shelves	2
Number of door bins / shelves	2
Type of shelves	Safety glass
Temperature display	Digital 7 segment
Warning signal door open	Visual and audible
Bottle shelves in fridge	-
KEY FEATURES – FREEZER SECTION	
Door opened indicator	Visual and audible
SuperFreeze function	●
Temperature adjustable in freezer	●
Number of ice cube trays	1
Number of freezer drawers	3
ADDITIONAL INFORMATION	
Energy efficiency class	
Energy consumption annual kWh <sup>1</sup>	252 kWh/a
Total net capacity (litres)	223
Refrigerator net capacity 4°C - 8°C (litres)	156
Refrigerator net capacity 0°C (litres)	55
Freezer net capacity (litres)	67
Climate class <sup>2</sup>	SN-ST
Noise level dB(A) re 1 pW	36
Noise emission class	C
Additional accessories included	2 x ice packs, 3 x egg trays, 1 x ice cube tray with lid, 1 x bottle holder in door tray
Height of product (mm)	1772
Width of product (mm)	558
Depth of product (mm)	545

● = yes - = no  
<sup>1</sup> Actual energy consumption will depend on how the appliance is used and where it is located  
<sup>2</sup> Climate zone SN - designed to operate in ambient temperature of +10°C to 32°C  
 Climate zone T = designed to operate in ambient temperature of +18°C to 43°C



### 0°C – the perfect temperature.

Keeping vitamin-rich food fresh for longer.

Two compartments near 0°C and a hermetic seal create perfect storage conditions in two different humidity zones:

- Fruit & Vegetables (three humidity settings via convenient Jog Dial – fruits, vegetables or mixed load)
- Fish & Meat (low humidity)



TYPE	BOTTOM FREEZER	BOTTOM FREEZER	BOTTOM FREEZER	BOTTOM FREEZER
DESIGN FAMILY	SERIE 6	SERIE 4	SERIE 4	SERIE 4
MODEL NUMBER	KIN86AFFOG	KIN86HFE0	KIN86VFE0G	KIN86VSE0G
Fridge / Freezer split	60 / 40	60 / 40	60 / 40	60 / 40
NoFrost	●	●	●	●
LowFrost or Manual defrost	-	-	-	-
Soft Close hinge	-	-	-	-
Type of hinge (reversible)	Fixed hinge	Fixed hinge	Fixed hinge	Sliding hinge
Home Connect	-	●	-	-
FOOD FRESHNESS SYSTEM				
VitaFresh	1 VitaFresh plus drawer	1 VitaFresh plus drawer	1 VitaFresh Plus Drawer	1 VitaFresh plus drawer
KEY FEATURES – FRIDGE SECTION				
Light	LED	LED	LED	LED
SuperCool function	●	-	-	-
Type of control	Electronic	Electronic	Electronic	Electronic
Number of shelves	5	3	3	3
Number of adjustable shelves	4	3	3	3
Number of door bins / shelves	5	3	3	3
Type of shelves	Safety glass	Safety glass	Safety glass	Safety glass
Temperature display	Digital 7 segment	Digital 7 segment	digital LED	digital LED
Warning signal door open	Visual and audible	Visual	Visual	Visual
Bottle shelves in fridge	-	-	-	-
KEY FEATURES – FREEZER SECTION				
Door opened indicator	Visual and audible	Visual and audible	Visual and audible	Visual and audible
SuperFreeze function	●	-	●	●
Temperature adjustable in freezer	●	●	-	-
Number of ice cube trays	2	1	1	1
Number of freezer drawers	3	3	3	3
ADDITIONAL INFORMATION				
Energy efficiency class				
Energy consumption annual kWh <sup>1</sup>	277 kWh/a	294 kWh/a	234 kWh/a	234 kWh/a
Total net capacity (litres)	254	260	260	260
Refrigerator net capacity 4°C-8°C (litres)	187	184	184	184
Refrigerator net capacity 0°C (litres)	0	0	0	0
Freezer net capacity (litres)	67	76	76	76
Climate class <sup>2</sup>	SN-ST	SN-ST	SN-ST	SN-ST
Noise level dB(A) re 1 pW	39	35	35	35
Noise emission class	C	B	B	B
Additional accessories included	2 x ice packs, 3 x egg trays, 1 x ice cube tray, 1 x ice cube tray with lid, 1 x bottle holder in door tray	3 x egg trays, 1 x ice cube tray, 1 x ice cube tray with lid, 1 x bottle holder in door tray	3 x egg trays, 1 x ice cube tray, 1 x ice cube tray with lid, 1 bottle holder in door tray	3 x egg trays, 1 x ice cube tray, 1 x ice cube tray with lid, 1 bottle holder in door tray
Height of product (mm)	1772	1770	1770	1770
Width of product (mm)	558	540	540	540
Depth of product (mm)	545	550	550	550

● = yes - = no  
<sup>1</sup> Actual energy consumption will depend on how the appliance is used and where it is located  
<sup>2</sup> Climate zone SN - designed to operate in ambient temperatures of +10°C to 32°C  
 Climate zone T = designed to operate in ambient temperatures of +18°C to 43°C

5 year warranty - Promotion dates 01.04.22 - 31.03.23. T&C's apply. Online registration required. Selected models only.

All models comply with COMMISSION REGULATION (EC) No 1275/2008 with regard to ecodesign requirements for standby and off mode electric power consumption.

# NoFrost bottom freezers



TYPE	BOTTOM FREEZER	BOTTOM FREEZER	BOTTOM FREEZER	BOTTOM FREEZER
DESIGN FAMILY	SERIE 2	SERIE 2	SERIE 2	SERIE 2
MODEL NUMBER	KIN86NFFOG	KIN86NSFOG	KIN85NFFOG	KIN85NSFOG
Fridge / Freezer split	60 / 40	50 / 50	50 / 50	50 / 50
NoFrost	●	●	●	●
LowFrost or Manual defrost	-	-	-	-
Soft Close hinge	-	-	-	-
Type of hinge (reversible)	Fixed hinge	Sliding hinge	Fixed hinge	Sliding hinge
Home Connect	-	-	-	-
FOOD FRESHNESS SYSTEM				
VitaFresh	MultiBox	MultiBox	MultiBox	MultiBox
KEY FEATURES – FRIDGE SECTION				
Light	LED	LED	LED	LED
SuperCool function	-	-	-	-
Type of control	Electronic	Electronic	Electronic	Electronic
Number of shelves	4	4	3	3
Number of adjustable shelves	3	3	2	2
Number of door bins / shelves	3	3	2	2
Type of shelves	Safety glass	Safety glass	Safety glass	Safety glass
Temperature display	Digital LED	Digital LED	Digital LED	Digital LED
Warning signal door open	Visual	Visual	Visual	Visual
Bottle shelves in fridge	-	-	-	-
KEY FEATURES – FREEZER SECTION				
Door opened indicator	Visual and audible	Visual and audible	Visual and audible	Visual and audible
SuperFreeze function	●	●	●	●
Temperature adjustable in freezer	-	-	-	-
Number of ice cube trays	1	1	1	1
Number of freezer drawers	3	3	4	4
ADDITIONAL INFORMATION				
Energy efficiency class				
Energy consumption annual kWh <sup>1</sup>	293 kWh/a	293 kWh/a	298 kWh/a	298 kWh/a
Total net capacity (litres)	260	260	249	249
Refrigerator net capacity 4°C-8°C (litres)	184	184	150	150
Refrigerator net capacity 0°C (litres)	0	0	0	0
Freezer net capacity (litres)	76	76	99	99
Climate class <sup>2</sup>	SN-ST	SN-ST	SN-ST	SN-ST
Noise level dB(A) re 1 pW	39	39	39	39
	C	C	C	C
Additional accessories included	2 x ice packs, 3 x egg trays, 1 x ice cube tray, 1 x ice cube tray with lid, 1 x bottle holder in door tray	2 x ice packs, 3 x egg trays, 1 x ice cube tray, 1 x ice cube tray with lid, 1 x bottle holder in door tray	2 x ice packs, 3 x egg trays, 1 x ice cube tray, 1 x ice cube tray with lid	2 x ice packs, 3 x egg trays, 1 x ice cube tray, 1 x ice cube tray with lid
Height of product (mm)	1772	1772	1772	1772
Width of product (mm)	541	541	541	541
Depth of product (mm)	548	548	548	548

● = yes - = no  
<sup>1</sup> Actual energy consumption will depend on how the appliance is used and where it is located  
<sup>2</sup> Climate zone SN = designed to operate in ambient temperatures of +10°C to 32°C  
 Climate zone T = designed to operate in ambient temperatures of +18°C to 43°C

All models comply with COMMISSION REGULATION (EC) No 1275/2008 with regard to ecodesign requirements for standby and off mode electric power consumption.

# LowFrost bottom freezers



TYPE	BOTTOM FREEZER	BOTTOM FREEZER	BOTTOM FREEZER
DESIGN FAMILY	SERIE 6	SERIE 6	SERIE 4
MODEL NUMBER	KIS87AFE0G	KIS86AFE0G	KIV87VFE0G
Fridge / Freezer split	70 / 30	60 / 40	70 / 30
NoFrost	-	-	-
LowFrost or Manual defrost	LowFrost	LowFrost	LowFrost
Soft Close hinge	-	-	-
Type of hinge (reversible)	Fixed hinge	Fixed hinge	Fixed hinge
Home Connect	-	-	-
FOOD FRESHNESS SYSTEM			
VitaFresh	1 VitaFresh plus drawer	1 VitaFresh plus drawer	1 vegetable drawer
KEY FEATURES – FRIDGE SECTION			
Light	LED	LED	LED
SuperCool function	●	●	-
Type of control	Electronic	Electronic	Electronic
Number of shelves	5	5	5
Number of adjustable shelves	4	4	4
Number of door bins / shelves	5	5	5
Type of shelves	Safety glass	Safety glass	Safety glass
Temperature display	Digital 7 segment	Digital 7 segment	Digital LED
Warning signal door open	Visual and audible	Visual and audible	No signal
Bottle shelves in fridge	-	-	-
KEY FEATURES – FREEZER SECTION			
Door opened indicator	Visual and audible	Visual and audible	No signal
SuperFreeze function	●	●	●
Temperature adjustable in freezer	●	●	-
Number of ice cube trays	2	1	2
Number of freezer drawers	2	3	2
ADDITIONAL INFORMATION			
Energy efficiency class			
Energy consumption annual kWh <sup>1</sup>	207 kWh/a	219 kWh/a	216 kWh/a
Total net capacity (litres)	272	266	270
Refrigerator net capacity 4°C-8°C (litres)	209	192	200
Refrigerator net capacity 0°C (litres)	0	0	0
Freezer net capacity (litres)	63	74	70
Climate class <sup>2</sup>	SN-T	SN-ST	SN-T
Noise level dB(A) re 1 pW	36	36	36
Noise emission class	C	C	D
Additional accessories included	2 x ice packs, 3 x egg trays, 1 x ice cube tray, 1 x ice cube tray with lid, 1 x bottle holder in door tray	2 x ice packs, 3 x egg trays, 1 x ice cube tray, 1 x ice cube tray with lid, 1 x bottle holder in door tray	2 x ice packs, 3 x egg trays, 1 x ice cube tray, 1 x ice cube tray with lid
Height of product (mm)	1772	1772	1772
Width of product (mm)	558	558	541
Depth of product (mm)	545	545	545

● = yes - = no  
<sup>1</sup> Actual energy consumption will depend on how the appliance is used and where it is located  
<sup>2</sup> Climate zone SN = designed to operate in ambient temperatures of +10°C to 32°C  
 Climate zone T = designed to operate in ambient temperatures of +18°C to 43°C

For full specification details, please log onto our website and download a full specification sheet.

# LowFrost & static bottom freezers

# Fridges & freezers



TYPE	BOTTOM FREEZER	BOTTOM FREEZER	BOTTOM FREEZER
DESIGN FAMILY	SERIE 4	SERIE 4	SERIE 2
MODEL NUMBER	KIV87VSE0G	KIV86VSE0G	KIV87NSFOG
Fridge / Freezer split	70 / 30	60 / 40	70 / 30
NoFrost	-	-	-
LowFrost or Manual defrost	Low Frost	Low Frost	LowFrost
Soft Close hinge	-	-	-
Type of hinge (reversible)	Sliding hinge	Sliding hinge	Sliding hinge
Home Connect	-	-	-
<b>FOOD FRESHNESS SYSTEM</b>			
VitaFresh	1 vegetable drawer	1 vegetable drawer	1 vegetable drawer
<b>KEY FEATURES – FRIDGE SECTION</b>			
Light	LED	LED	LED
SuperCool function	-	-	-
Type of control	Electronic	Electronic	Electronic
Number of shelves	5	4	5
Number of adjustable shelves	4	3	4
Number of door bins / shelves	5	4	5
Type of shelves	Safety glass	Safety glass	Safety glass
Temperature display	Digital LED	Digital LED	Digital LED
Warning signal door open	No signal	No signal	No signal
Bottle shelves in fridge	-	-	-
<b>KEY FEATURES – FREEZER SECTION</b>			
Door opened indicator	No signal	No signal	No signal
SuperFreeze function	●	●	●
Temperature adjustable in freezer	-	-	-
Number of ice cube trays	2	2	1
Number of freezer drawers	2	3	2
<b>ADDITIONAL INFORMATION</b>			
Energy efficiency class			
Energy consumption annual kWh <sup>1</sup>	216 kWh/a	229 kWh/a	270 kWh/a
Total net capacity (litres)	270	267	271
Refrigerator net capacity 4°C- 8°C (litres)	200	183	200
Refrigerator net capacity 0°C (litres)	0	0	0
Freezer net capacity (litres)	70	84	70
Climate class <sup>2</sup>	SN-T	SN-T	SN-ST
Noise level dB(A) re 1 pW	35	35	39
Noise emission class	D	D	C
Additional accessories included	2 x ice packs, 3 x egg trays, 1 x ice cube tray, 1 x ice cube tray with lid	2 x ice packs, 3 x egg trays, 1 x ice cube tray, 1 x ice cube tray with lid	3 x egg trays, 1 x ice cube tray
Height of product (mm)	1772	1772	1772
Width of product (mm)	541	541	541
Depth of product (mm)	545	545	545

● = yes - = no  
<sup>1</sup> Actual energy consumption will depend on how the appliance is used and where it is located  
<sup>2</sup> Climate zone SN = designed to operate in ambient temperatures of +10°C to 32°C  
 Climate zone T = designed to operate in ambient temperatures of +18°C to 43°C

All models comply with COMMISSION REGULATION (EC) No 1275/2008 with regard to ecodesign requirements for standby and off mode electric power consumption.

Explore more at [bosch-home.co.uk](http://bosch-home.co.uk) / [bosch-home.ie](http://bosch-home.ie)

TYPE	FRIDGE 177CM	FRIDGE 177CM	FRIDGE 177CM
DESIGN FAMILY	SERIE 8	SERIE 8	SERIE 6
MODEL NUMBER	KIF82PFF0	KIF81PFE0	KIR81AFE0G
NoFrost	-	-	-
LowFrost or Manual defrost	-	-	-
Soft Close hinge	●	-	-
Type of hinge (reversible)	Fixed hinge	Fixed hinge	Fixed hinge
Home Connect	-	-	-
<b>FOOD FRESHNESS SYSTEM</b>			
VitaFresh/ Fresh Safe / hyperFresh	3 vitaFresh Premium 0° drawers	3 vitaFresh Pro 0° degree drawers	2 vitaFresh Plus drawers, 1 with telescopic rails
<b>KEY FEATURES – FRIDGE SECTION</b>			
Light	LED	LED	LED
Super Cool	●	●	●
Type of control	1 x 7 segment	1 x 7 segment	1 x 7 segment
Number of shelves	6	7	7
Number of adjustable shelves	5	6	6
Number of door bins / shelves	5	5	6
Type of shelves	Safety glass	Glass	Glass
Temperature display	Digital	Digital	Digital
Warning signal door open	●	●	●
Defrost system in fridge	Automatic	Automatic	Automatic
Bottle shelves in fridge	-	-	1 bottle support grid
<b>KEY FEATURES – FREEZER SECTION</b>			
Light in freezer	-	-	-
Warning signal door open	-	-	-
Super Freeze function	-	-	-
Temperature adjustable in freezer	-	-	-
Number of ice cube trays	1 ice cube tray	-	-
Number of freezing flaps	1	-	-
Number of freezer drawers	-	-	-
<b>ADDITIONAL INFORMATION</b>			
Energy efficiency class			
Energy consumption annual kWh <sup>1</sup>	230 kWh/a	150 kWh/a	115 kWh/a
Total net capacity litres including 0° drawers	269	289	319
Refrigerator net capacity 0°C (litres)	254	289	319
Freezer net capacity (litres)	15	0	0
Climate class <sup>2</sup>	SN-T	SN-T	SN-T
Noise level dB(A) re 1 pW	37 dB	37 dB	37 dB
Noise emission class	C	C	C
Additional accessories included	3 x egg trays, 1 x bottle holder in door tray	3 x egg trays, 1 x bottle holder in door tray	3 x egg trays
Height of product (mm)	1772	1772	1772
Width of product (mm)	558	558	558
Depth of product (mm)	545	545	545

● = yes - = no  
<sup>1</sup> Actual energy consumption will depend on how the appliance is used and where it is located  
<sup>2</sup> Climate zone SN = designed to operate in ambient temperatures of +10°C to 32°C  
 Climate zone T = designed to operate in ambient temperatures of +18°C to 43°C

5 year warranty - Promotion dates 01.04.22 – 31.03.23. T&C's apply. Online registration required. Selected models only.

For full specification details, please log onto our website and download a full specification sheet.

Making **life easy** through innovative technologies

# Fridges & freezers



TYPE	FRIDGE 177CM	FRIDGE 177CM	FRIDGE 177CM
DESIGN FAMILY	SERIE 6	SERIE 4	SERIE 4
MODEL NUMBER	KIL82AFFOG	KIR81VSFOG	KIL82VSFO
noFrost	-	-	-
lowFrost or Manual defrost	-	-	-
Soft Close hinge	-	-	-
Type of hinge (reversible)	Fixed hinge	Sliding hinge	Sliding hinge
Home Connect	-	-	-
<b>FOOD FRESHNESS SYSTEM</b>			
vitaFresh/ Fresh Safe / hyperFresh	2 vitaFresh Plus drawers, 1 with telescopic rails	2 vegetable drawers	2 vegetable drawers
<b>KEY FEATURES – FRIDGE SECTION</b>			
Light	LED	LED	LED
SuperCool function	●	●	●
Type of control	1 x 7 segment	1 x LED chain	1 x LED chain
Number of shelves	5	7	5
Number of adjustable shelves	4	6	4
Number of door bins / shelves	5	6	5
Type of shelves	Glass	Glass	Glass
Temperature display	Digital	Digital	Digital
Warning signal door open	●	-	-
Defrost system in fridge	Automatic	Automatic	Automatic
Bottle shelves in fridge	-	-	-
<b>KEY FEATURES – FREEZER SECTION</b>			
Light in freezer	-	-	-
Warning signal door open	-	-	-
SuperFreeze function	-	-	-
Temperature adjustable in freezer	-	-	-
Number of ice cube trays	1	-	1
Number of freezer flaps	1	-	1
Number of freezer drawers	-	-	-
<b>ADDITIONAL INFORMATION</b>			
Energy efficiency class			
Energy consumption annual kWh <sup>1</sup>	222 kWh/a	144 kWh/a	222 kWh/a
Total net capacity litres including 0°C drawers (litres)	286	319	286
Refrigerator net capacity 0°C (litres)	252	319	252
Freezer net capacity (litres)	34 l	-	-
Climate class <sup>2</sup>	SN-ST	SN-T	SN-T
Noise level dB(A) re 1 pW	39 dB	37 dB	39 dB
Noise emission class	C	C	C
Additional accessories included	3 x egg trays, 1 x ice cube tray	3 x egg trays	3 x egg trays, 1 x ice cube tray
Height of product (mm)	1772	1772	1772
Width of product (mm)	558	541	541
Depth of product (mm)	545	545	545

● = yes - = no  
<sup>1</sup> Actual energy consumption will depend on how the appliance is used and where it is located  
<sup>2</sup> Climate zone SN = designed to operate in ambient temperatures of +10°C to 32°C  
 Climate zone T = designed to operate in ambient temperatures of +18°C to 43°C

All models comply with COMMISSION REGULATION (EC) No 1275/2008 with regard to ecodesign requirements for standby and off mode electric power consumption.

	FREEZER 177CM	FREEZER 177CM	FRIDGE 122CM	FRIDGE 122CM
	SERIE 6	SERIE 6	SERIE 6	SERIE 4
	GIN81HCEOG	GIN81AEFOG	KIR41AFFOG	KIR41NSEOG
	●	●	-	-
	-	-	-	-
	-	-	-	-
	Fixed hinge	Fixed hinge	Fixed hinge	Sliding hinge
	●	-	-	-
	-	-	1 vitaFresh	1 vegetable drawer
	-	-	-	-
	-	-	LED	1x15 Watt
	-	-	●	-
	-	-	1 x 7 segment	1 x LED chain
	-	-	6	5
	-	-	5	5
	-	-	4	4
	-	-	Glass	Glass
	-	-	Digital	-
	-	-	●	-
	-	-	Automatic	Automatic
	-	-	-	-
	-	-	-	-
	Visual and audible	Visual and audible	-	-
	●	●	-	-
	●	●	-	-
	2	2	-	-
	2	2	-	-
	5	5	-	-
	235 kWh/a	294 kWh/a	123 kWh/a	101 kWh/a
	212	212	211	204
	-	-	211	204
	212	212	-	-
	SN-T	SN-T	SN-ST	SN-ST
	35 dB	36 dB	33 dB	35 dB
	B	C	B	E
	2 x small ice packs	2 x small ice packs	3 x egg trays	3 x egg trays
	1772	1772	1221	1221
	558	558	558	541
	545	545	545	548

● = yes - = no  
<sup>1</sup> Actual energy consumption will depend on how the appliance is used and where it is located  
<sup>2</sup> Climate zone SN = designed to operate in ambient temperatures of +10°C to 32°C  
 Climate zone T = designed to operate in ambient temperatures of +18°C to 43°C

5 year warranty - Promotion dates 01.04.22 - 31.03.23. T&C's apply. Online registration required. Selected models only.  
 For full specification details, please log onto our website and download a full specification sheet.

# Fridges & freezers



TYPE	FRIDGE 87CM	FRIDGE 87CM	FRIDGE 87CM	FREEZER 87CM
DESIGN FAMILY	SERIE 6	SERIE 6	SERIE 2	SERIE 6
MODEL NUMBER	KIR21ADD0	KIR21AFF0G	KIR18NSF0G	GIV21AFE0
noFrost	-	-	-	-
lowFrost or Manual defrost	-	-	-	Low Frost
Soft Close hinge	-	-	-	-
Type of hinge (reversible)	Fixed hinge	Fixed hinge	Sliding hinge	Fixed hinge
Home Connect	-	-	-	-
<b>FOOD FRESHNESS SYSTEM</b>				
vitaFresh/ Fresh Safe / hyperFresh	1 vitaFresh	1 vitaFresh	1 vegetable drawer	-
<b>KEY FEATURES – FRIDGE SECTION</b>				
Light	LED	LED	1x15 Watt	-
SuperCool function	-	-	-	-
Type of control	1 x 7 segment	1 x 7 segment	non (mechanical)	-
Number of shelves	4	4	4	-
Number of adjustable shelves	3	3	3	-
Number of door bins / shelves	3	3	4	-
Type of shelves	Glass	Glass	Glass	-
Temperature display	Digital	Digital	-	-
Warning signal door open	●	●	-	-
Defrost system in fridge	Automatic	Automatic	Automatic	-
Bottle shelves in fridge	-	-	-	-
<b>KEY FEATURES – FREEZER SECTION</b>				
Light in freezer	-	-	-	-
Warning signal door open	-	-	-	Visual and audible
SuperFreeze function	-	-	-	●
Temperature adjustable in freezer	-	-	-	●
Number of ice cube trays	-	-	-	1
Number of freezer flaps	-	-	-	-
Number of freezer drawers	-	-	-	4
<b>ADDITIONAL INFORMATION</b>				
Energy efficiency class				
Energy consumption annual kWh <sup>1</sup>	75 kWh/a	117 kWh/a	118 kWh/a	178 kWh/a
Total net capacity including 0°C drawers (litres)	144	144	150	102
Refrigerator net capacity 0°C (litres)	144	144	150	-
Freezer net capacity (litres)	-	-	-	102
Climate class <sup>2</sup>	SN-ST	SN-ST	SN-ST	SN-ST
Noise level dB(A) re 1 pW	33 dB	33 dB	37 dB	38 dB
Noise emission class	B	B	C	C
Additional accessories included	3 x egg trays	3 x egg trays	1 x butter dish	1x berry tray, 1x ice cube tray, 2 x small ice packs
Height of product (mm)	874	874	874	874
Width of product (mm)	541	541	541	541
Depth of product (mm)	542	542	542	542

● = yes - = no  
<sup>1</sup> Actual energy consumption will depend on how the appliance is used and where it is located  
<sup>2</sup> Climate zone SN = designed to operate in ambient temperatures of +10°C to 32°C  
 Climate zone T = designed to operate in ambient temperatures of +18°C to 43°C

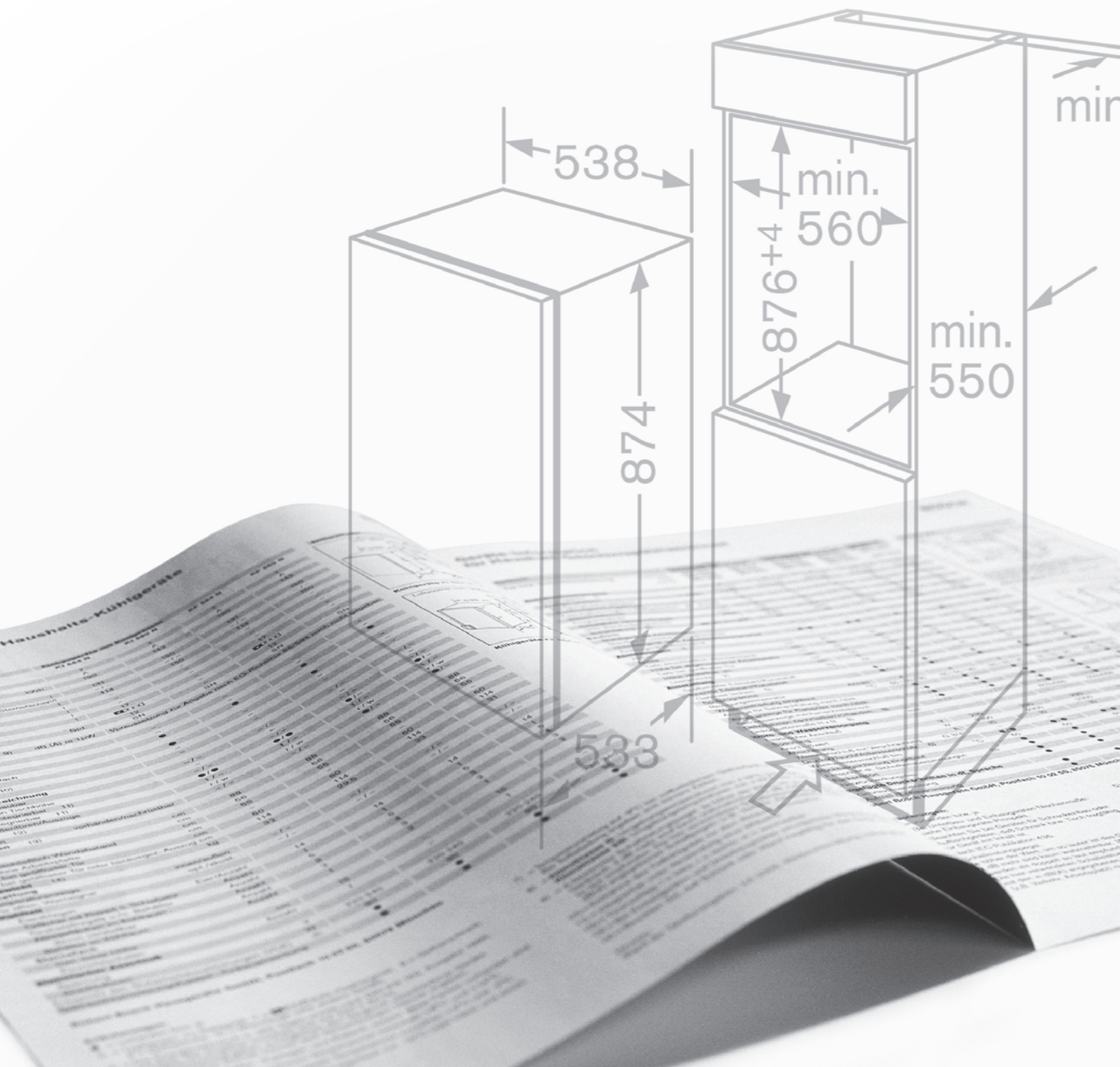
FREEZER 87CM	BUILT-IN FRIDGE 82CM	BUILT-IN FRIDGE 82CM	BUILT-IN FREEZER 82CM
SERIE 4	SERIE 6	SERIE 6	SERIE 6
GIV21VSE0G	KUL15AFF0G	KUR15AFF0G	GUD15AFF0G
-	-	-	-
Manual	-	-	Manual
-	-	-	-
Sliding hinge	Fixed hinge	Fixed hinge	Fixed hinge
-	-	-	-
<b>FOOD FRESHNESS SYSTEM</b>			
-	2 vegetable drawers	2 vegetable drawers	-
<b>KEY FEATURES – FRIDGE SECTION</b>			
-	1x25 Watt	1x25 Watt	-
-	-	-	-
-	Non (mechanical)	Non (mechanical)	-
-	2	3	-
-	1	3	-
-	3	3	-
-	Glass	Glass	-
-	-	-	-
-	-	-	-
-	Automatic	Automatic	-
-	-	-	-
<b>KEY FEATURES – FREEZER SECTION</b>			
-	-	-	-
Visual and audible	-	-	Visual and audible
●	-	-	●
●	-	-	●
1	1	-	1
-	1	-	-
4	-	-	3
<b>ADDITIONAL INFORMATION</b>			
178 kWh/a	180 kWh/a	114 kWh/a	224 kWh/a
102	123	137	106
-	108	137	-
102	15	-	106
SN-ST	SN-ST	SN-ST	SN-ST
38 dB	38 dB	38 dB	38 dB
C	C	C	C
1x berry tray, 1x ice cube tray, 2 x small ice packs	1 x egg tray, 1 x ice cube tray	1 x egg tray	1 x ice cube tray, 2 x small ice packs
874	820	820	820
541	598	598	598
542	548	548	548

● = yes - = no  
<sup>1</sup> Actual energy consumption will depend on how the appliance is used and where it is located  
<sup>2</sup> Climate zone SN = designed to operate in ambient temperatures of +10°C to 32°C  
 Climate zone T = designed to operate in ambient temperatures of +18°C to 43°C



# Product installation guide & accessories

2022



## Installation tips

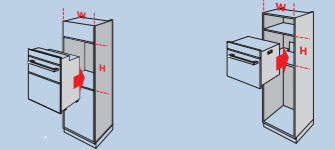
### Ovens, microwaves and hobs

#### Flexibility to choose the way you want to cook

Whether you're creating a feast for 15, steaming a healthy meal, cooking for one or popping on a frozen meal, Bosch appliances have the flexibility to do the job.

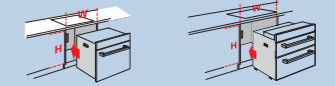
#### Built-in single and double ovens

The beauty of built-in ovens is that they can be housed in a variety of positions. For optimum convenience, install in standard tall cabinets at a level to suit the main users. Install single ovens alone, or together with a combination oven/microwave, built-in microwave, steam or combination steam oven. Hobs need to be bought separately.



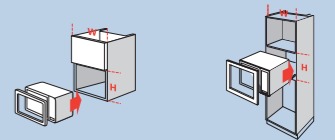
#### Built-under single and double ovens

Single ovens can also be installed under the work surface, directly below the hob, or apart from it. Bosch also offers double ovens that are specifically designed for installation under the work surface. Hobs need to be bought separately.



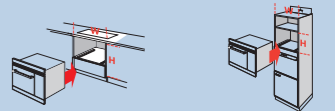
#### Compact steam, combination ovens and combination microwave ovens

Compact appliances offer a range of combination or specialist functions – for example steam cooking is one of the healthiest methods of cooking available – and are ideal if space is at a premium. If you have more room, they're perfect for providing extra capacity and flexibility above or alongside a suitable built-in single oven. Build in to a standard tall or base cabinet with or without a warming drawer.



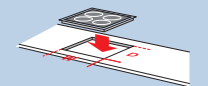
#### Standard built-in microwaves

Depending on the model, you can install into a tall housing, or in a wall cupboard. Wall cupboard models are available in 50cm or 60cm widths.



#### Hobs

Choose from gas, induction or ceramic. Available in six widths: 30, 60, 70, 75, 80 or 90cm.



### Quick checklist

#### Ovens

- Standard single oven
- Double oven
- Built-under
- Built-in at eye level

#### Self-cleaning function

- Pyrolytic self-cleaning function
- EcoClean® self-cleaning programme

#### Steam oven/combination oven/combination microwave

- Steam combination oven
- Oven with integral microwave
- Combination microwave

#### Built-in

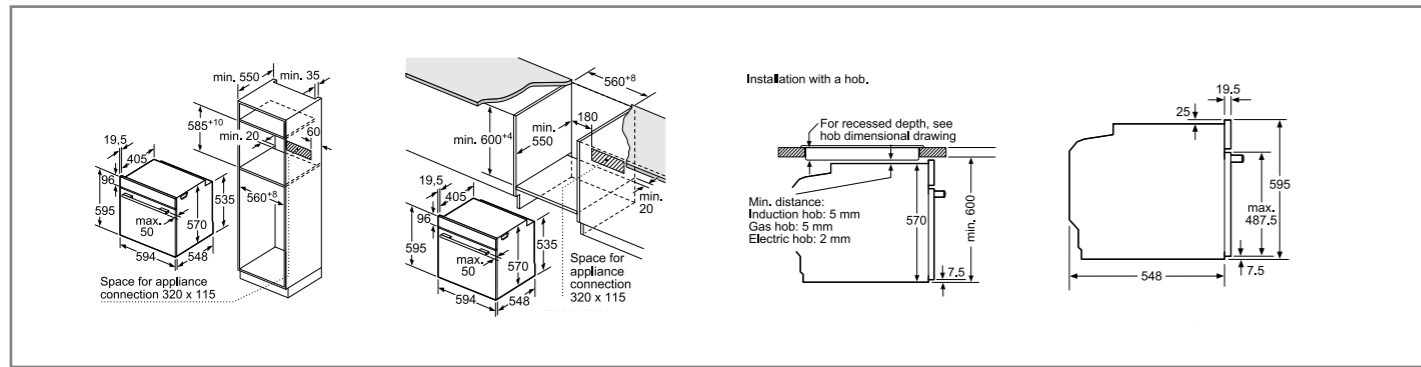
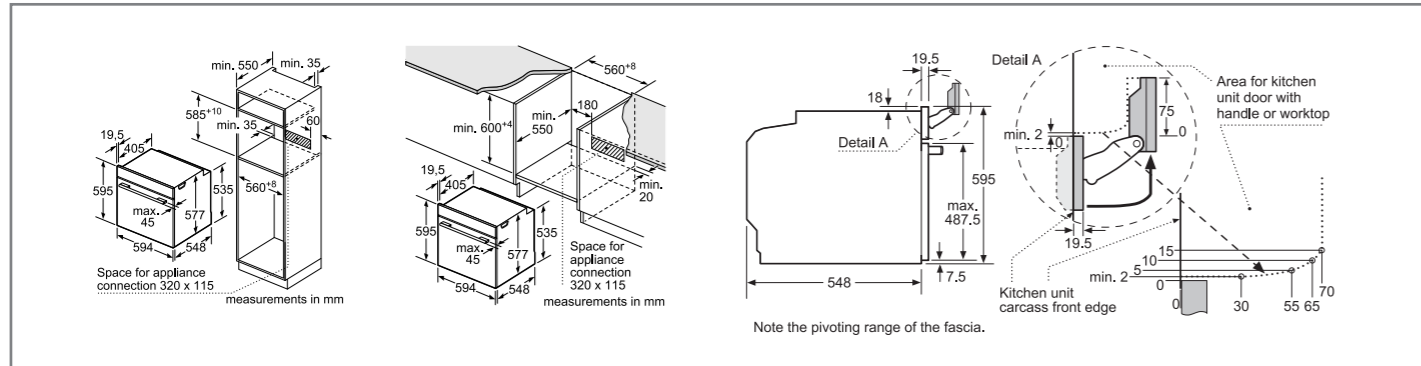
- Built-under
- Built-in wall cupboard installation
- 50cm wide
- 60cm wide

#### Hobs

- Gas
- Induction
- Ceramic
- Sealed plate
- 30cm wide
- 60cm wide
- 70cm wide
- 75cm wide
- 80cm wide
- 90cm wide

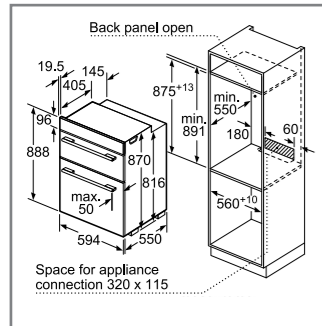
# Ovens technical diagrams

## Single and double ovens



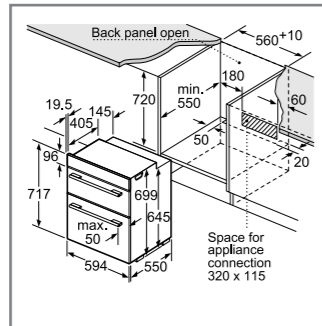
### Single ovens

HRG6769S6B, HBG6764S6B, HBG6764B6B, HBG674BS1B, HBG674BB1B, HBG634BS1B, HBG634BB1B, HRG579BB6B, HBG579BB6B, HBG539BB6B, HRS574BS0B, HBS573BS0B, HBS573BB0B, HRS534BS0B, HBS534BS0B, HBS534BB0B, HBS534BW0B



### Built-in double ovens

MBA5785S6B, MBA5575S0B, MBA5350S0B, MBS533BS0B, MBS533BB0B, MBS533BW0B



### Built-under double ovens

NBS533BS0B, NBS533BB0B

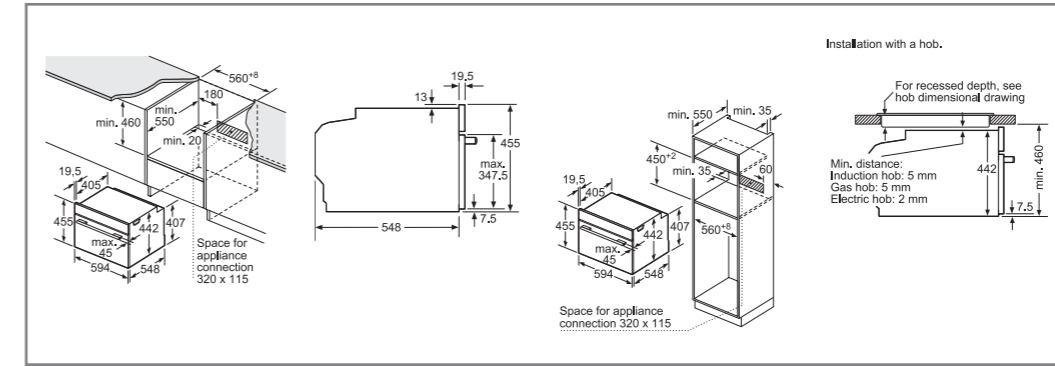
All diagram measurements are in millimetres (mm)

We try to keep up to date with constant technological improvements, so from time to time we may update installation guidelines. Therefore we strongly recommend that you download the latest installation guidelines from [www.bosch-home.co.uk](http://www.bosch-home.co.uk). Line drawings are for guidance only, and we recommend that you refer to the latest installation guidelines. Though every care is taken to ensure instructions are correct at the time of printing, Bosch cannot accept responsibility for incorrect planning or installation as a result of the use of these line drawings.

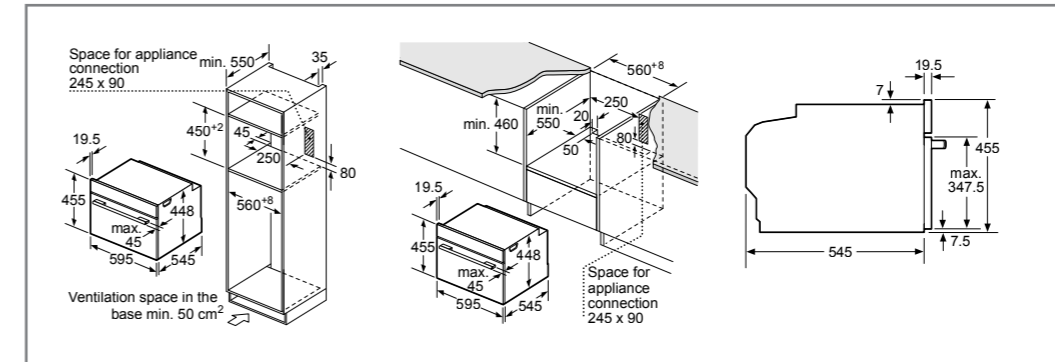
Explore more at [bosch-home.co.uk](http://bosch-home.co.uk) / [bosch-home.ie](http://bosch-home.ie)

# Compact appliances technical diagrams

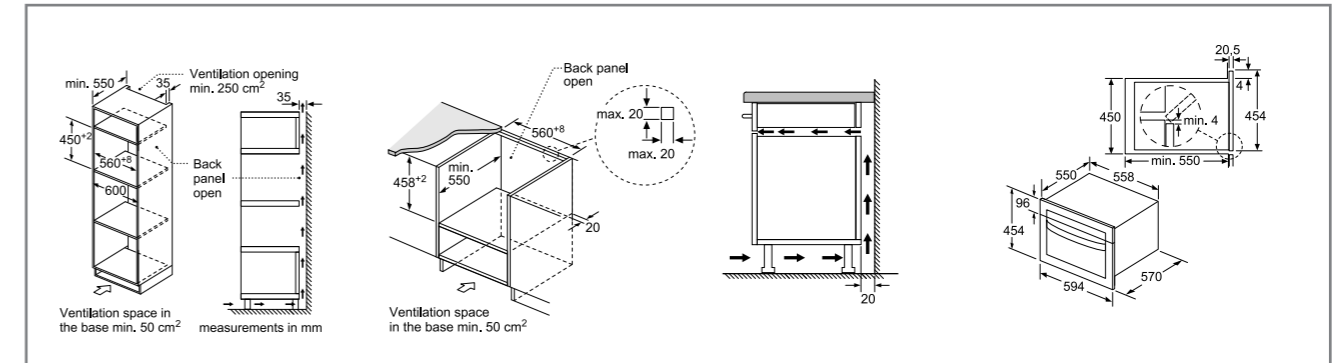
## Compact ovens, compact steam ovens, compact microwave combination oven



**Compact oven (with added steam) CSG656BS7B Compact ovens (with microwave) CMG676BS6B, CMG656BS6B, CMG656BB6B, CMG633BS1B, CMG633BB1B**



**Compact Microwave CFA634GS1B**



**Compact Combination Microwave Ovens CMA585GB0B, CMA583MS0B, CMA583MB0B**

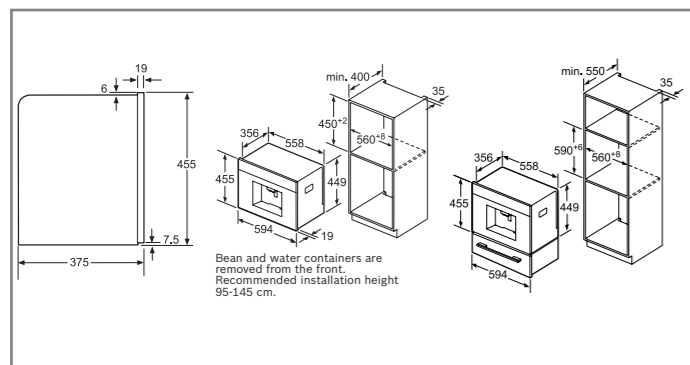
All diagram measurements are in millimetres (mm)

All models comply with COMMISSION REGULATION (EC) No 1275/2008 with regard to ecodesign requirements for standby and off mode electric power consumption. We try to keep up to date with constant technological improvements, so from time to time we may update installation guidelines. Therefore we strongly recommend that you download the latest installation guidelines from [www.bosch-home.co.uk](http://www.bosch-home.co.uk). Line drawings are for guidance only, and we recommend that you refer to the latest installation guidelines. Though every care is taken to ensure instructions are correct at the time of printing, Bosch cannot accept responsibility for incorrect planning or installation as a result of the use of these line drawings.

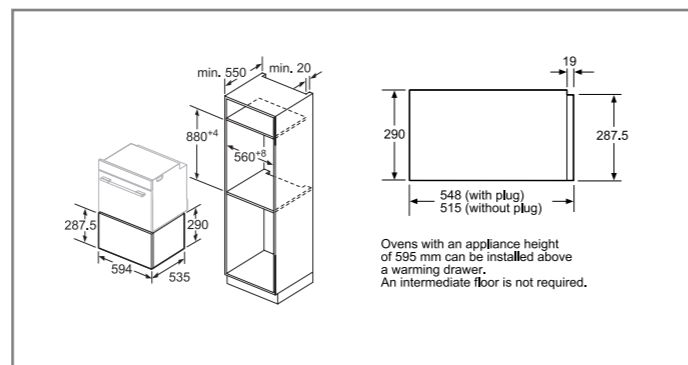
Making **life easy** through innovative technologies

# Compact appliances technical diagrams

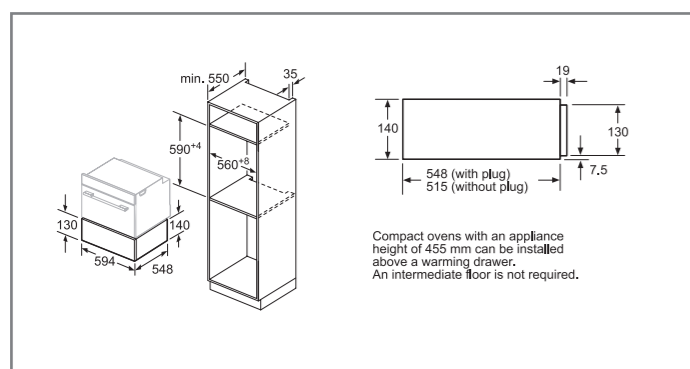
## Compact coffee maker, warming drawers



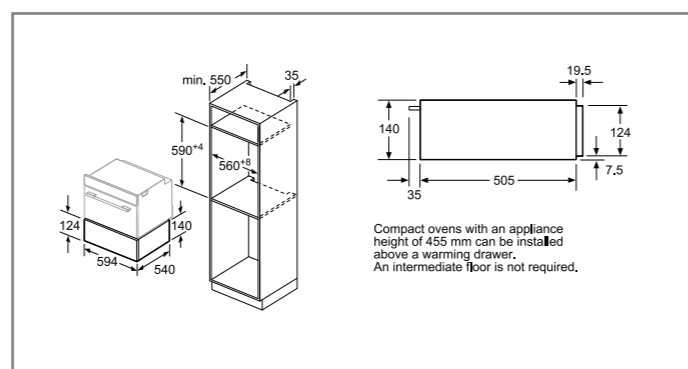
**Coffee maker** CTL636ES6



**Warming drawer** BID630NS1B installed with 60cm high single oven.

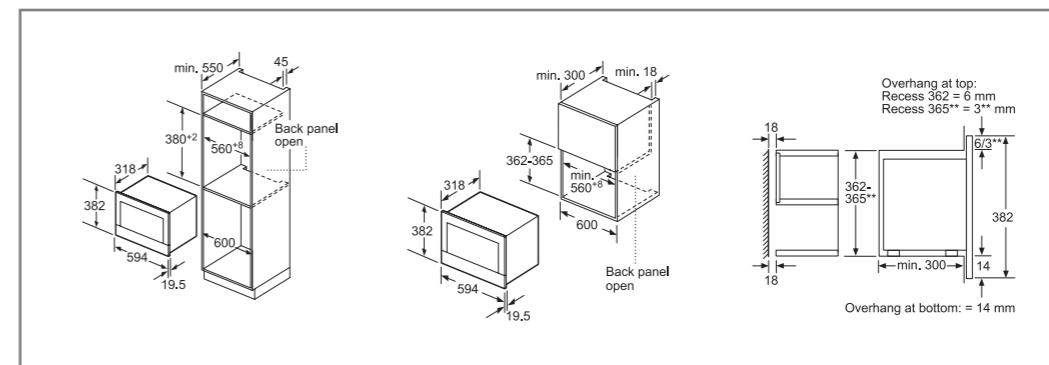


**Warming drawers** BIC630NS1B, BIC630NB1B installed with 45cm high oven.

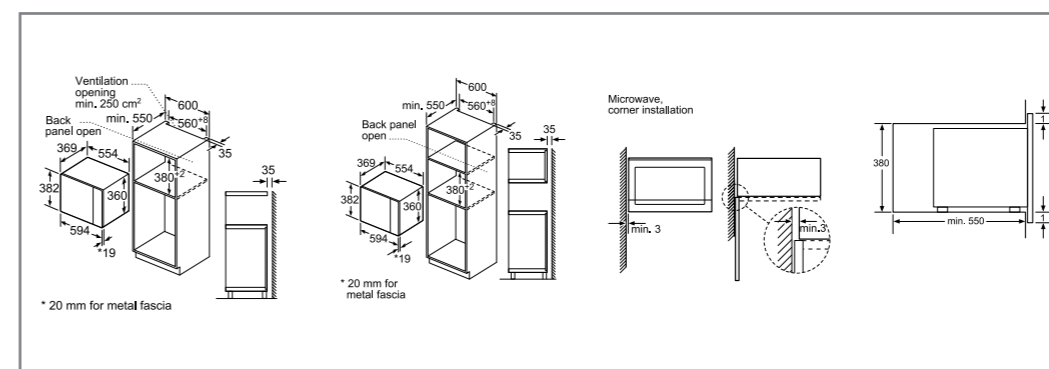


**Warming drawers** BIC510NS0B, BIC510NB0 installed with 45cm high oven.

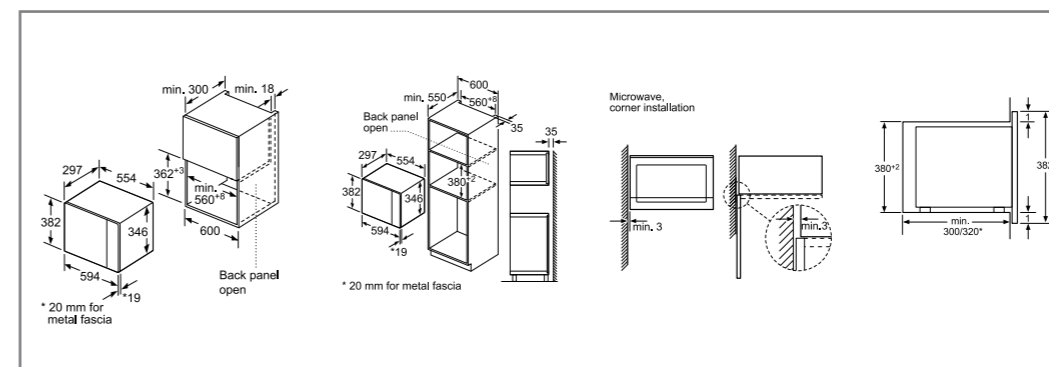
## Microwave ovens



**Microwaves** BEL634GS1B, BFL634GS1B, BFL634GB1B



**Microwaves** BFL554MB0B, BFL524MB0B, BEL553MS0B, BFL553MS0B, BFL553MB0B



**Microwaves** BEL523MS0B, BFL523MS0B, BFL523MB0B, BFL523MW0B

## Oven and compact appliance accessories

	SERIE 8		SERIE 4 & 6		
	Single Ovens	45cm Compact Ovens	Single Ovens	Compact Ovens	Double Ovens*
<b>ROASTING &amp; BAKING ACCESSORIES</b>					
HEZ634000	●	●	●	-	●
HEZ631070	●	●	-	-	-
HEZ531000	-	-	●	-	●
HEZ531010	-	-	●	-	●
HEZ530000	-	-	●	-	●
HEZ625071	●	●	●	-	●
HEZ636000	●	●	●	-	●
HEZ915003	●	●	●	-	●
<b>TELESCOPIC RAILS</b>					
HEZ638100	●	-	-	-	-
HEZ538000	-	-	●	-	●
HEZ638170	-	-	-	-	-
HEZ638300	●	-	●	-	●
HEZ638370	●	-	-	-	-
<b>INSTALLATION ACCESSORIES</b>					
HEZ6BMA00	●	●	-	-	-
HEZ660060	●	●	●	●	-

● = Yes - = No

Optional accessories not suited for use during pyrolytic cleaning cycle

All diagram measurements are in millimetres (mm)

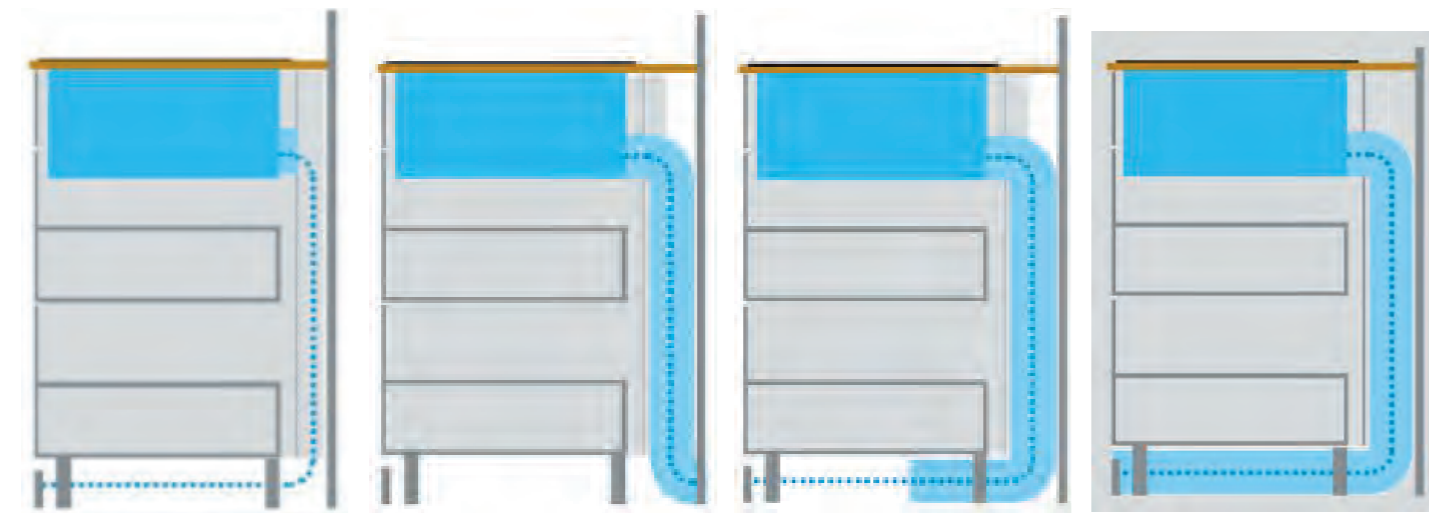
All models comply with COMMISSION REGULATION (EC) No 1275/2008 with regard to ecodesign requirements for standby and off mode electric power consumption. We try to keep up to date with constant technological improvements, so from time to time we may update installation guidelines. Therefore we strongly recommend that you download the latest installation guidelines from [www.bosch-home.co.uk](http://www.bosch-home.co.uk). Line drawings are for guidance only, and we recommend that you refer to the latest installation guidelines. Though every care is taken to ensure instructions are correct at the time of printing, Bosch cannot accept responsibility for incorrect planning or installation as a result of the use of these line drawings.

All diagram measurements are in millimetres (mm)

All models comply with COMMISSION REGULATION (EC) No 1275/2008 with regard to ecodesign requirements for standby and off mode electric power consumption. We try to keep up to date with constant technological improvements, so from time to time we may update installation guidelines. Therefore we strongly recommend that you download the latest installation guidelines from [www.bosch-home.co.uk](http://www.bosch-home.co.uk). Line drawings are for guidance only, and we recommend that you refer to the latest installation guidelines. Though every care is taken to ensure instructions are correct at the time of printing, Bosch cannot accept responsibility for incorrect planning or installation as a result of the use of these line drawings.

# One venting hob, four installation possibilities.

## Recirculation configuration      Exhaust configuration



- Unducted recirculation**  
**HEZ9VRPD1** Diffuser  
Additional ducting required.
- (Fully ducted) exhaust**  
**HEZ9VEDU0** Acoustic filters (exhaust configuration)
- Partly ducted recirculation**  
**HEZ9VDKR0** Recirculation kit 2 L-bow (70cm)
- Fully ducted recirculation**  
**HEZ9VDKR1** Ducted exhaust starter kit – 60cm deep worktops



- Contains:**
  - 4 x cleanAir recirculating filters (Z821VR0)
  - Telescopic slider (Z821PD1)
- Contains:**
  - 1 x Small radius bend (Z861SB4)
  - 1 x connector (Z861SS1)
  - 1 x 50cm straight channel (Z861SM1)
  - 1 x set of 4 acoustic filters (Z811DU0)
- Contains:**
  - 1 x Small radius bend (Z861SB4)
  - 1 x Large radius bend (Z861SB2)
  - 3 x connectors (Z861SS1)
  - 1 x 50cm straight channel (Z861SM1)
  - 1 x diffuser (Z821PD1)
- Contains:**
  - 1 x Small radius bend (Z861SB4)
  - 1 x Large radius bend (Z861SB2)
  - 3 x connectors (Z861SS1)
  - 1 x 50cm straight channel (Z861SM1)
  - 1 x diffuser (Z821PD1)

## Ducting component accessories

Description	Code
Flat channel ducting component, straight length, 100cm long. Ducting component outlet size: 222mm x 89mm.	HEZ9VDSM2
Flat channel ducting component, straight length, 50cm long. Ducting component outlet size: 222mm x 89mm.	HEZ9VDSM1
Flat channel 90° horizontal bend. Ducting component outlet size: 222mm x 89mm.	HEZ9VDSB1
Flat channel 90° vertical bend (large Radius), suitable for 70cm worktop depths. Ducting component outlet size: 222mm x 89mm.	HEZ9VDSB2
Flat channel 90° vertical bend (medium Radius), suitable for 65cm worktop depths. Ducting component outlet size: 222mm x 89mm.	HEZ9VDSB3
Flat channel 90° vertical bend (short Radius), suitable for 60cm worktop depths. Ducting component outlet size: 222mm x 89mm.	HEZ9VDSB4
Connection piece for use between ducting components and bends. Ducting component size: 223mm x 90mm.	HEZ9VDSS1
Flexible Connection piece for use between ducting components and bends. Ducting component size: 223mm x 90mm.	HEZ9VDSS2
Straight Adaptor / Converter flat to round (Ø 150mm). Ducting component outlet size: 222mm x 89mm.	HEZ9VDSI0
90° Adaptor / Converter flat to round (Ø 150mm). Ducting component outlet size: 222 mm x 89mm.	HEZ9VDSI1
Replacement recirculation filters. Includes 1 x set of CleanAir recirculation filters.	HEZ9VCRO

## Electric hobs technical diagrams

### All models

**Induction all models**

**Induction all models**

**Induction all models**

**Induction all models**

When installing two or more Domino units side-by-side, one or more assembly kits are required (2 units = 1 assembly kit, 3 units = 2 assembly kits, etc).

When installing two or more Domino units side-by-side, one or more assembly kits are required (2 units = 1 assembly kit, 3 units = 2 assembly kits, etc).

When installing a Domino unit right next to a hob, an assembly kit (HEZ394301) is required.

### FlexInduction hobs

**PXX875D67E**

**PVQ731F15E**

**PXX975KW1E**

**PXY875KW1E, PXX875DV1E**

**PXX675DV1E**

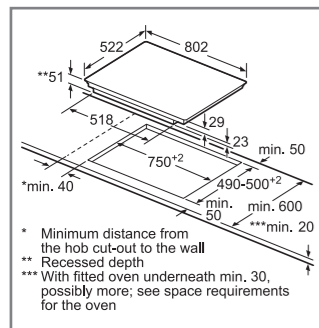
**PVX851FC1E**

**PXE651FC1E**

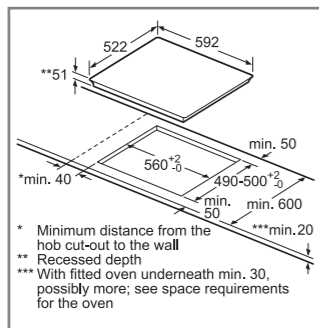
All diagram measurements are in millimetres (mm). We try to keep up to date with constant technological improvements, so from time to time we may update installation guidelines. Therefore we strongly recommend that you download the latest installation guidelines from [www.bosch-home.co.uk](http://www.bosch-home.co.uk). Line drawings are for guidance only, and we recommend that you refer to the latest installation guidelines. Though every care is taken to ensure instructions are correct at the time of printing, Bosch cannot accept responsibility for incorrect planning or installation as a result of the use of these line drawings.

## Electric hobs technical diagrams

### Induction hobs

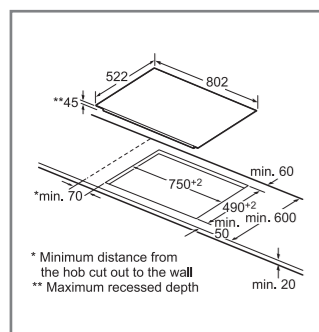


PVW851FB5E, PIV851FB1E

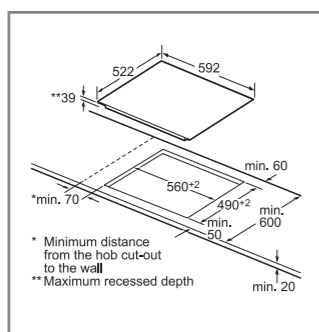


PVQ651FC5E, PIE631BB5E,  
PWP611BB5E, PUE611BB5E,  
PWP611BB5B, PUE611BB5B,  
PUG61RAA5B

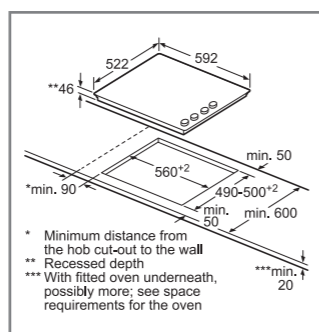
### Quick-Therm Ceramic hobs



PKN811BA2E



PKE61RAA8B



PKE611CA3E

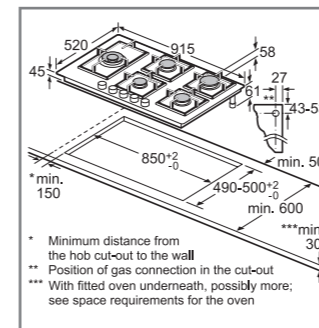
All diagram measurements are in millimetres (mm)

We try to keep up to date with constant technological improvements, so from time to time we may update installation guidelines. Therefore we strongly recommend that you download the latest installation guidelines from [www.bosch-home.co.uk](http://www.bosch-home.co.uk). Line drawings are for guidance only, and we recommend that you refer to the latest installation guidelines. Though every care is taken to ensure instructions are correct at the time of printing, Bosch cannot accept responsibility for incorrect planning or installation as a result of the use of these line drawings.

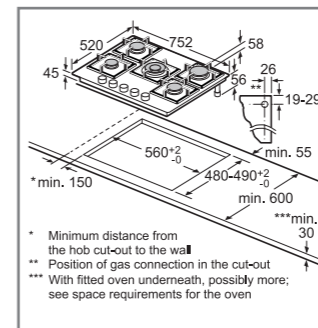
Explore more at [bosch-home.co.uk](http://bosch-home.co.uk) / [bosch-home.ie](http://bosch-home.ie)

## Gas hobs technical diagrams

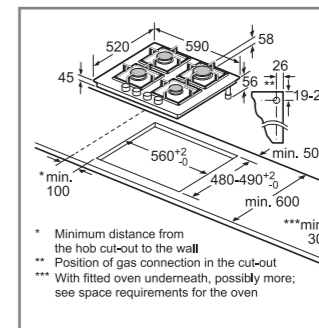
### Gas hobs



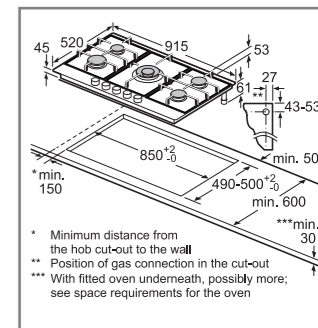
PPS9A6B90



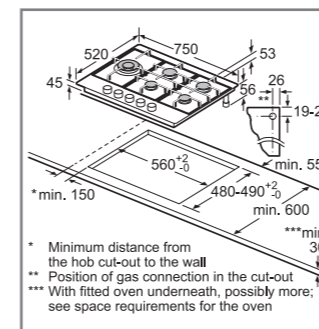
PPQ7A6B90



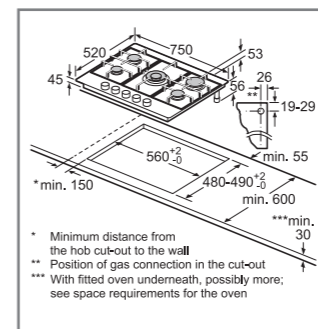
PPP6A6B90



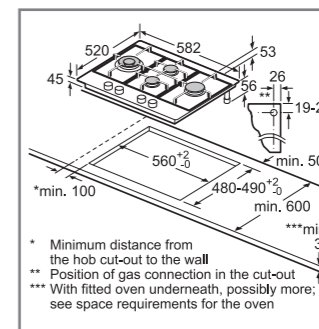
PCR9A5B90



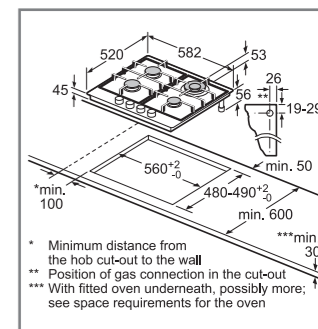
PCS7A5B90



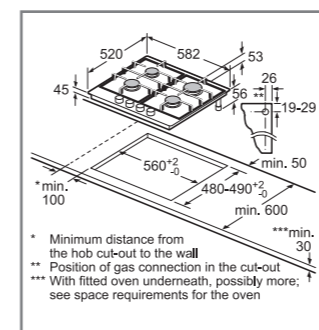
PCQ7A5B90, PGQ7B5B90



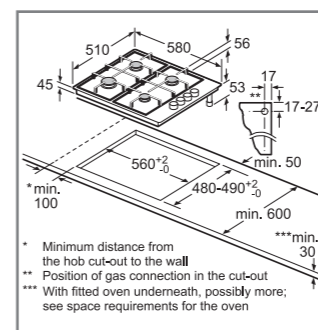
PCI6A5B90



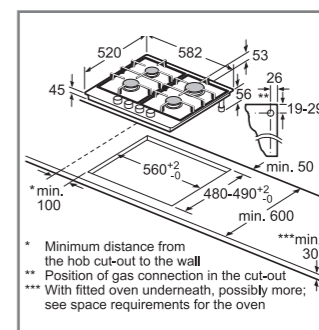
PCH6A5B90



PCP6A5B90, PCP6A6B90



PBP6B5B60, PBP6B6B60



PGP6B5B60, PBP6B2B60,  
PNP6B6B90

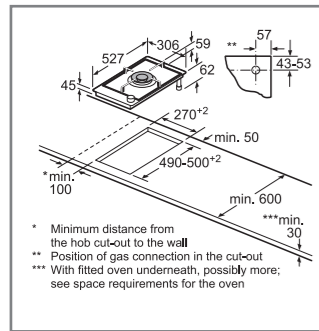
All diagram measurements are in millimetres (mm)

We try to keep up to date with constant technological improvements, so from time to time we may update installation guidelines. Therefore we strongly recommend that you download the latest installation guidelines from [www.bosch-home.co.uk](http://www.bosch-home.co.uk). Line drawings are for guidance only, and we recommend that you refer to the latest installation guidelines. Though every care is taken to ensure instructions are correct at the time of printing, Bosch cannot accept responsibility for incorrect planning or installation as a result of the use of these line drawings.

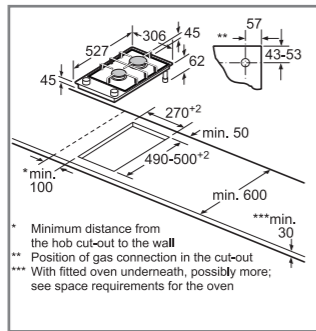
Making **life easy** through innovative technologies

## Domino technical diagrams

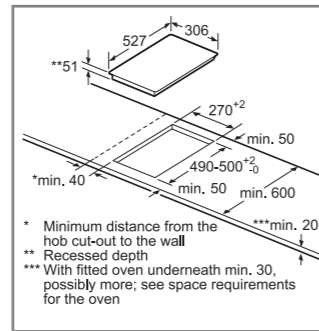
### Domino hobs



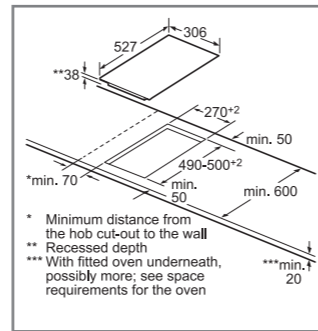
PRA3A6D70



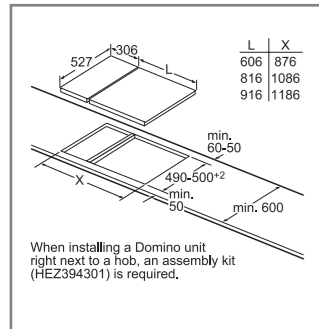
PRB3A6D70



PIB375FB1E



PKF375FP2E



### Domino combination possibilities with corresponding device and cutout dimensions

Width type: 30 40 60 70 80 90  
 Device width: 306 396 606 710 816 916

	A	B	C	D	L	X		
2x30,			306		306		612	<b>576</b>
1x30, 1x40			306		396		702	<b>666</b>
1x30, 1x60			306		606		912	<b>876</b>
1x30, 1x70			306		710		1016	<b>980</b>
1x30, 1x80			306		816		1122	<b>1086</b>
1x30, 1x90			306		916		1222	<b>1186</b>
2x40			396		396		792	<b>756</b>
1x40, 1x60			396		606		1002	<b>966</b>
1x40, 1x70			396		710		1106	<b>1070</b>
1x40, 1x80			396		816		1212	<b>1176</b>
1x40, 1x90			396		916		1312	<b>1276</b>
3x30			306	306	306		918	<b>882</b>
2x30, 1x40			306	306	396		1008	<b>972</b>
2x30, 1x60			306	306	606		1218	<b>1182</b>
2x30, 1x70			306	306	710		1322	<b>1286</b>
2x30, 1x80			306	306	816		1428	<b>1392</b>
2x30, 1x90			306	306	916		1528	<b>1492</b>
1x30, 2x40			306	396	396		1098	<b>1062</b>
1x30, 1x40, 1x60			306	396	606		1308	<b>1272</b>
1x30, 1x40, 1x70			306	396	710		1412	<b>1376</b>
1x30, 1x40, 1x80			306	396	816		1518	<b>1482</b>
1x30, 1x40, 1x90			306	396	916		1618	<b>1582</b>
2x40, 1x60			396	396	606		1398	<b>1362</b>
4x30			306	306	306	306	1224	<b>1188</b>
3x30, 1x40			306	306	306	396	1314	<b>1278</b>

All diagram measurements are in millimetres (mm)

We try to keep up to date with constant technological improvements, so from time to time we may update installation guidelines. Therefore we strongly recommend that you download the latest installation guidelines from [www.bosch-home.co.uk](http://www.bosch-home.co.uk). Line drawings are for guidance only, and we recommend that you refer to the latest installation guidelines. Though every care is taken to ensure instructions are correct at the time of printing, Bosch cannot accept responsibility for incorrect planning or installation as a result of the use of these line drawings.

Explore more at [bosch-home.co.uk](http://bosch-home.co.uk) / [bosch-home.ie](http://bosch-home.ie)

## FlexInduction and Induction hob accessories

DESCRIPTION	ACCESSORY NR	PXX875D67E	PVQ731F15E	PIE811B15E	PIE611B15E	PXX975KW1E	PXY875KW1E	PXV875DV1E	PXX675DV1E	PXV851FC1E	PXE651FC1E	PVW851FB5E
Wireless temperature sensor	HEZ39050	•				•	•					
Teppan Yaki (approx. 400x200mm)	HEZ390512	•				•	•	•		•	•	
Griddle plate (approx. 400x200mm)	HEZ390522	•				•	•	•		•	•	
Rectangular roasting pan with lid (approx. 320x200mm)	HEZ390011	•	•			•	•	•		•	•	
Steamer pan insert of use with HEZ390011 roasting pan	HEZ390012	•	•			•	•	•		•	•	
BergHOFF three piece pan set (1 x frying pan, 2 x pot)	HEZ9SE030	•	•	•	•	•	•	•	•	•	•	•

DESCRIPTION	ACCESSORY NR	PIV851FB1E	PVQ651FC5E	PIE651BB1E	PWP631BB1E	PUE611BB1E	PWP631BF1B	PUE611BF1B	PUG61RAA5B	PIB375FB1E
BergHOFF single induction coated frying pan (approx. 260mm)	HEZ9CF260	•	•	•	•	•	•	•	•	•
BergHOFF single induction pot (approx. 200mm)	HEZ9LP200	•	•	•	•	•	•	•	•	•
BergHOFF single induction pot (approx. 160mm)	HEZ9LP160	•	•	•	•	•	•	•	•	•
Four piece pan set (1 x sauté pan, 2 x pots with lids and 1 x milk pan)	HEZ9SE040	•	•	•	•	•	•	•	•	•

## Domino hob accessories

DESCRIPTION	ACCESSORY NR	PRA3A6D70	PRB3A6D70	PKF375FP1E	PIB375FB1E
Connecting strip for all domino hobs	HEZ394301				

# Installation tips

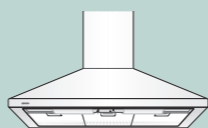
## Hoods

### Keep air fresh and free of cooking smells

Extractor hoods are an integral part of a clean and fresh working kitchen environment. Not only do Bosch extractor hoods look good and add a professional touch to your kitchen, they also deal quietly and efficiently with the key tasks of eliminating unwanted odours and removing grease and moisture from the kitchen.

### Chimney extractor hoods

Choose between wall-mounted models or an island version to create a striking focal point in the kitchen. Some models are further enhanced by glass canopies. Available in the following sizes: 60, 75, and 90cm wide.

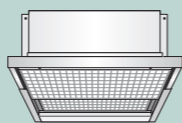


### Chimney extractor easy mounting system

Installing your new cooker hood in the kitchen is quick and straightforward with the patented easy mounting system. The self-levelling fixing rings allow you to precision adjust the horizontal position of the hood by up to a 6mm radius.

### Telescopic extractor

Ideal where an unobtrusive extractor is required. Built into a wall cabinet above the hob, it can be extended when in use, and retracted when not. Use the special handle profile accessory, or if you prefer, a matching pelmet from your kitchen supplier. Available in the following sizes: 60 or 90cm wide.



### Conventional extractor hoods

Ideal where space is at a premium, these 14cm tall extractors can be mounted directly to the wall or suspended beneath a reduced height wall cupboard. 60cm wide.



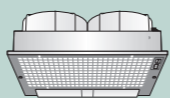
### Integrated extractor hoods

Integrated extractor hoods are designed to be mounted between two cabinets with a matching furniture door affixed to the front.



### Canopy extractor hoods

Designed to fit discreetly into the base of a wall cupboard, or specially designed furniture canopy with operation from below.



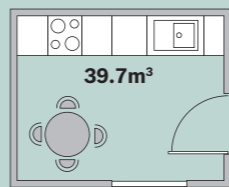
### Choosing the correct extractor

As a guideline, the air in the room should be changed six to 12 times per hour. Calculate the floor area in square metres and multiply by the height of the room in metres. Then divide the maximum extraction rate of your chosen hood by the figure calculated above. The resulting figure should be at least seven, but preferably as close to 12 as possible.

### Example

Kitchen (H x W x D) metres 2.1 x 4.5 x 4.2 = 39.7m<sup>3</sup>.  
Assume a maximum of 12 air changes per hour – multiply 39.7m<sup>3</sup> by 12 = 476m<sup>3</sup>/h.  
Choose a hood capable of extracting at least this amount of air per hour – e.g. DWB96DM50B (max ducted extraction rate intensive 580m<sup>3</sup> per hour).

To avoid excessive noise, try to select a model which meets the above requirements on an intermediate speed, rather than at the highest speed.



12 x 39.7m<sup>3</sup> = 476m<sup>3</sup>/h

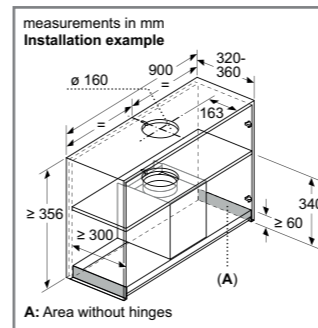
## Quick checklist

### Type of hood

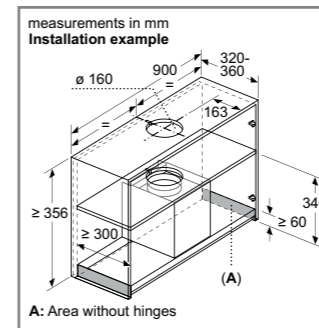
- Chimney
- Telescopic
- Conventional
- Integrated
- Canopy
- Ceiling
- Downdraft
- Ducted
- Re-circulated
- Width of hood
- Size of kitchen
- Required extraction rate

# Hoods technical diagrams

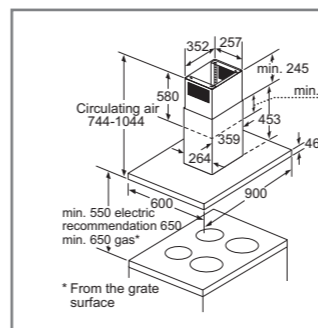
## Designer, Island, ceiling and chimney hoods



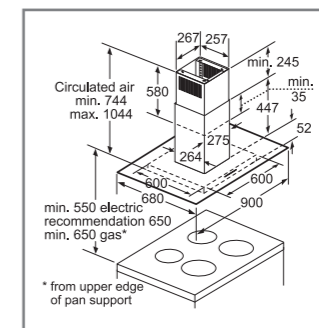
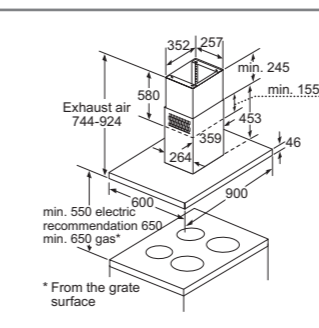
DBB97AM60B



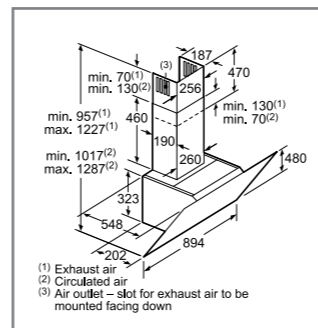
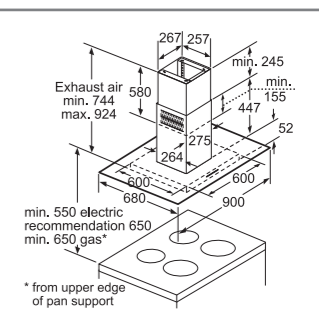
DBB67AM60B



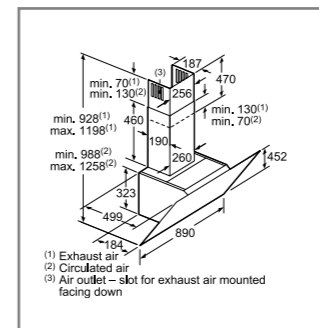
DIB98JQ50B



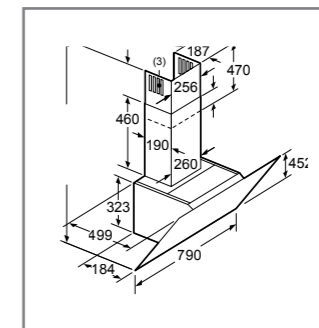
DIG97IM50B



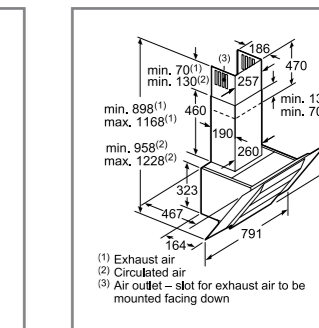
DWK98PR60B



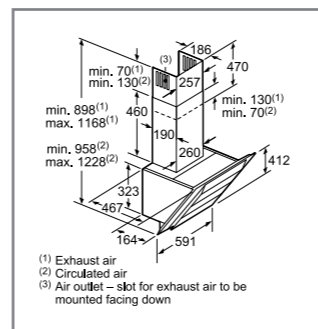
DWK97JQ60B



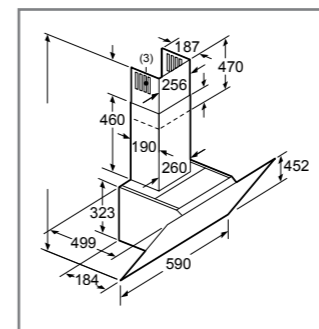
DWK87CM60B



DWK67CM60B



DWK67EM60B



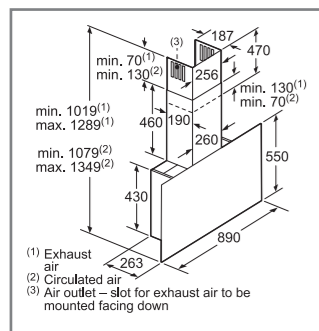
DWK87EM60B

All diagram measurements are in millimetres (mm)

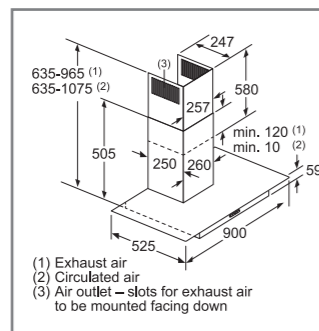
We try to keep up to date with constant technological improvements, so from time to time we may update installation guidelines. Therefore we strongly recommend that you download the latest installation guidelines from [www.bosch-home.co.uk](http://www.bosch-home.co.uk). Line drawings are for guidance only, and we recommend that you refer to the latest installation guidelines. Though every care is taken to ensure instructions are correct at the time of printing, Bosch cannot accept responsibility for incorrect planning or installation as a result of the use of these line drawings.

## Hoods technical diagrams

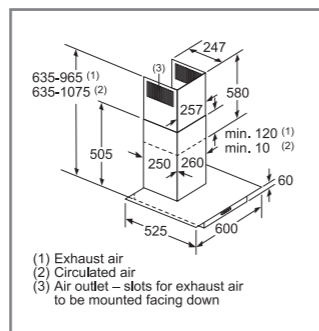
### Island, ceiling and chimney hoods



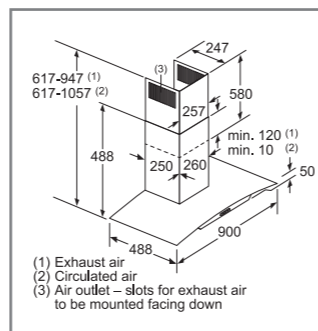
DWQ97RV60B



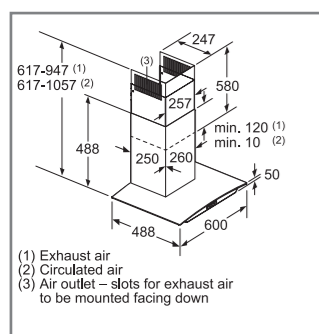
DWG94BC50B



DWG64BC50B

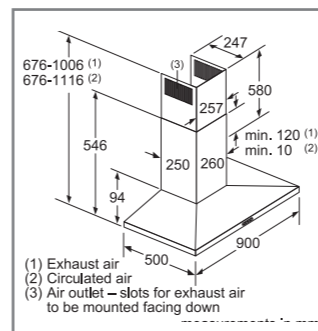


DWA96DM50B, DWA94BC50B

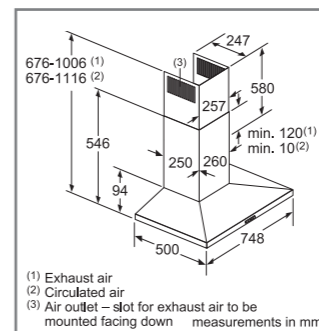


DWA66DM50B, DWA64BC50B

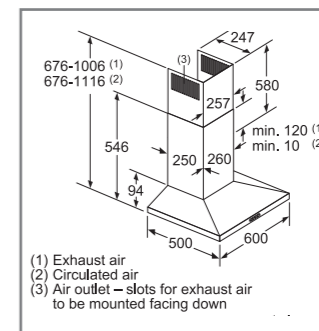
### Chimney hoods



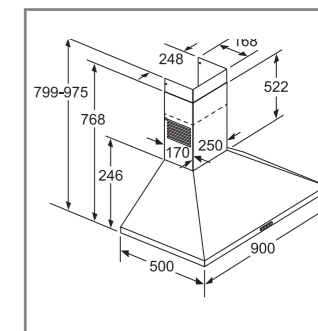
DWQ94BC50B



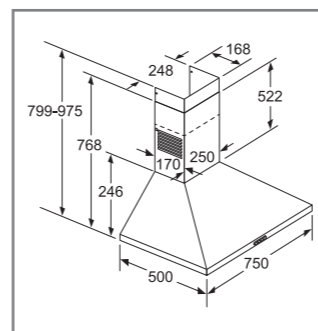
DWQ74BC50B



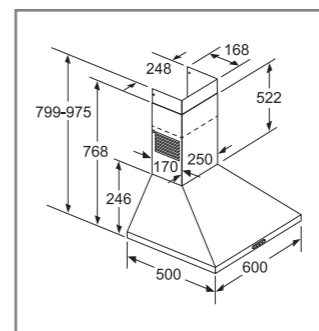
DWQ64BC50B



DWP94BC50B

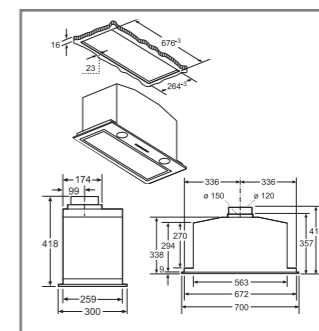


DWP74BC50B

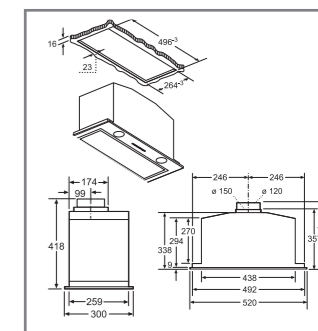


DWP64BC50B

### Telescopic, canopy and integrated hoods

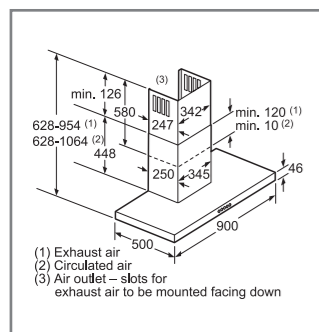


DHL785CGB

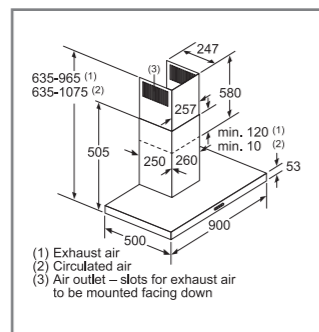


DHL575CGB

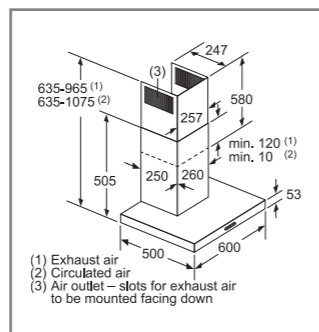
### Chimney hoods



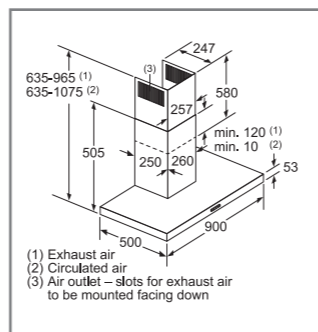
DWB98JQ50B, DWB68JQ50B



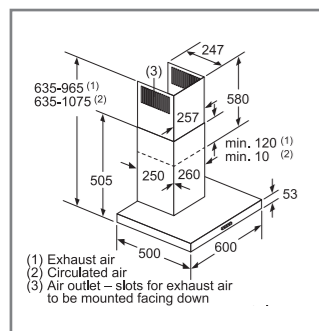
DWB96DM50B



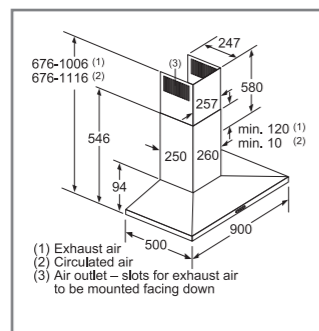
DWB66DM50B



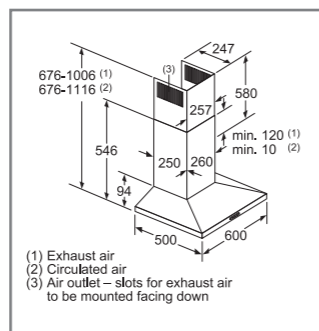
DWB94BC50B



DWB64BC50B

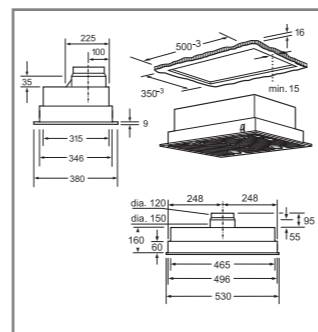


DWQ96DM50B

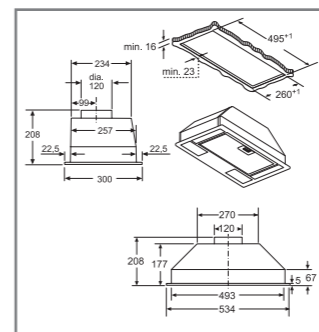


DWQ66DM50B

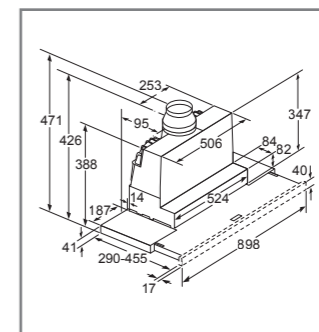
### Telescopic, canopy and integrated hoods



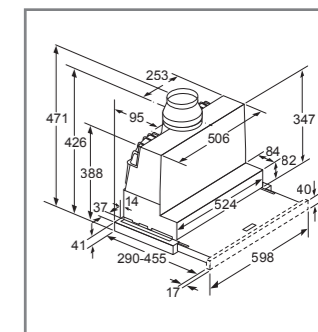
DHL555BLGB, DHL575CGB



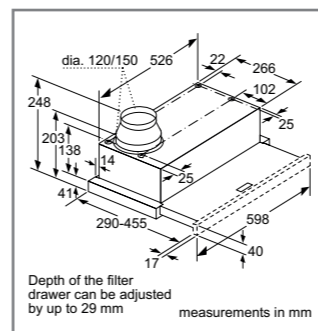
DLN53AA70B



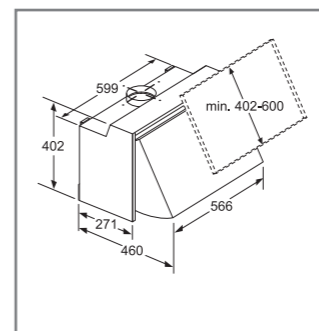
DFS097A51B



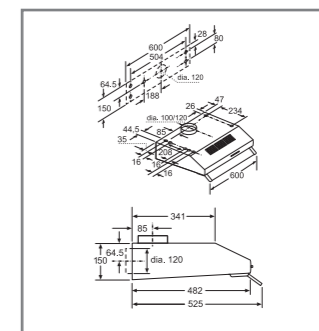
DFS067A51B



DFM063W56B



DEM66AC00B, DEM63AC00B



DUL63CC50B

All diagram measurements are in millimetres (mm)

We try to keep up to date with constant technological improvements, so from time to time we may update installation guidelines. Therefore we strongly recommend that you download the latest installation guidelines from [www.bosch-home.co.uk](http://www.bosch-home.co.uk). Line drawings are for guidance only, and we recommend that you refer to the latest installation guidelines. Though every care is taken to ensure instructions are correct at the time of printing, Bosch cannot accept responsibility for incorrect planning or installation as a result of the use of these line drawings.



## Recirculation filters

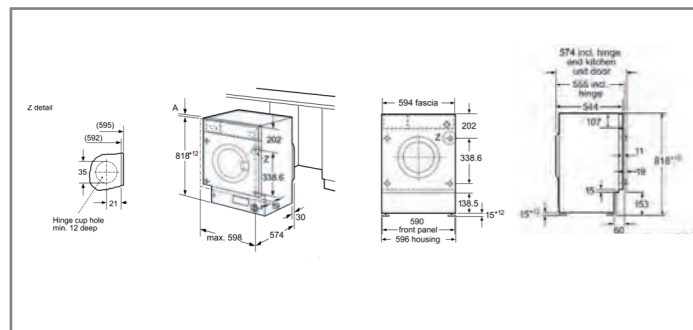
Type	Standard charcoal filter	CleanAir filter	New Regenerative CleanAir filter
Odour reduction guide	Up to 86%	Up to 95%	Up to 95% Up to 86% if installed without chimney
Recommended lifetime	6 - 12 months	12 months	10 years
Benefits	Simple installation Anti-fish treatment	High odour reduction Up to 3dB (A) sound reduction Better extraction performance Anti-fish treatment	High odour reduction Up to 3dB (A) sound reduction Regenerated in the oven every four months recommended (two hours, 200°C) Better extraction performance
Installation	Behind grease filter, inside the hood	Extra module attached to hood chimney (stainless steel) <b>New: Integrated plastic module fitted inside the chimney piece</b>	Extra module (as per CleanAir filter) onto chimney or inside chimney Chimless installation possible
Installation without chimney possible?	Yes (Angled and Flat hoods only)	No – module must fit onto chimney or inside the chimney	Yes (Angled and Flat hoods only)

A range of recirculation filters are available depending on the model of hood and offer excellent odour reduction rates and performance benefits. The new regenerative filters can last up to 10 years and are regenerated through a heating process in the oven every four months

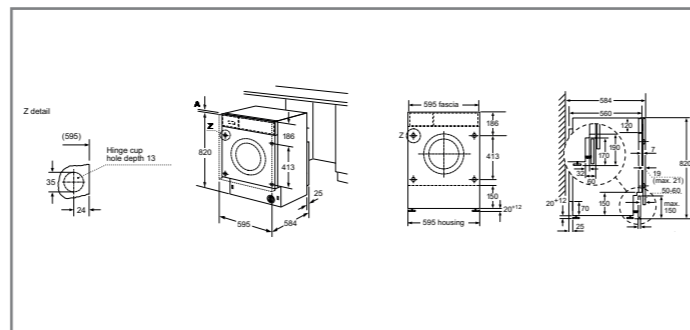
For full specification details, please log onto our website and download a full specification sheet.

## Home laundry technical diagrams

### Washing machines and washer dryers



WIW28502GB, WIW28302GB



WKD28542GB, WKD28352GB

## Home laundry accessories

Description	Accessory Nr.	WIW28501GB	WIW28301GB	WKD28542GB	WKD28352GB
Extension for cold water inlet/Aquastop	WMZ2380	•	•	•	•
Height adjustable feet	WMZ20441	•	•	•	•

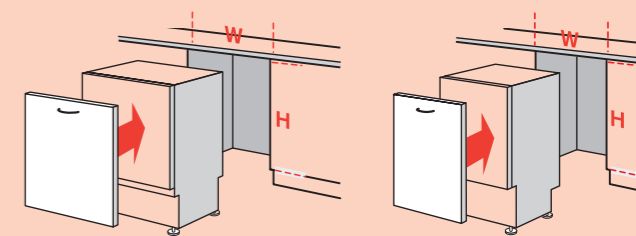
## Installation tips

### Dishwashers

#### Integrated dishwashers

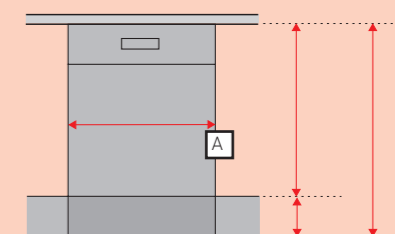
Energy and water-efficient with outstanding performance, Bosch integrated dishwashers quietly do all the hard work for you behind closed doors. These models can be built under a worktop or sink drainer, between two units or at the end of a run of units. A furniture door is mounted on the appliance door so that the dishwasher is indistinguishable from other kitchen cabinets. Choose from full size 60cm wide, or slimline 45cm wide.

60cm wide



#### Built-in dimensions (60m wide)

If you have a recess height of 81.5 – 87.5cm, plan for an 81cm dishwasher. The appliance's feet may be screwed out to a total height of 87.5cm. Or, if you have a recess height of 86.5 – 92.5cm plan for an 86cm dishwasher. The appliance's feet screw out to a total height of 92.5cm.



### Quick checklist

#### Type

#### Fully integrated dishwasher

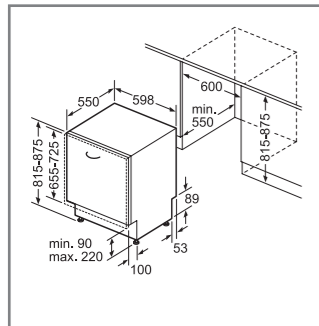
- 60cm wide
- 45cm wide

All diagram measurements are in millimetres (mm)

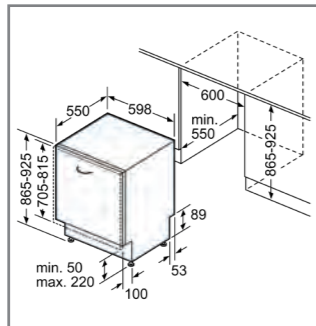
We try to keep up to date with constant technological improvements, so from time to time we may update installation guidelines. Therefore we strongly recommend that you download the latest installation guidelines from [www.bosch-home.co.uk](http://www.bosch-home.co.uk). Line drawings are for guidance only, and we recommend that you refer to the latest installation guidelines. Though every care is taken to ensure instructions are correct at the time of printing, Bosch cannot accept responsibility for incorrect planning or installation as a result of the use of these line drawings.

## Dishwasher technical diagrams

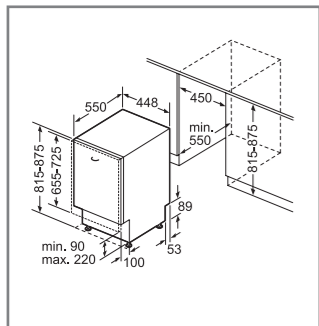
### Fully integrated and slimline dishwashers



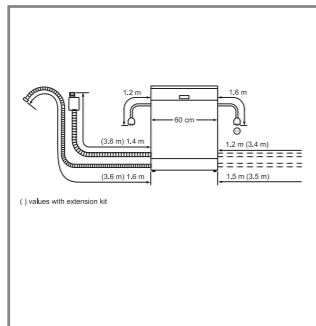
Fully integrated dishwashers



SBH4HVX31G (extra height)



45cm dishwashers



All 60cm dishwasher connection dimensions

## Dishwasher accessories

DESCRIPTION	Accessory Nr.	SMD8YCX02G	SMD6ZCX60G	SMD6EDX57G	SMV6ZCX01G	SMV4HCX40G	SMV4HAX40G	SMH4HVX32G
Decor strip - For 60cm and 45cm Stainless Steel base models, 81.5cm height	SMZ5005	•	•	•	•	•	•	-
Decor strip - For 60cm Polinox base models, 81.5cm height	SMZ5006	-	-	-	-	-	-	-
Decor strip - For 60cm Stainless Steel base models installed off the ground, 81.5cm height	SMZ5035	•	•	•	•	•	•	-
Decor strip - For full size Stainless Steel base models, 86.5cm height	SMZ5015	•	•	•	•	•	•	-
Decor strip - For full size Stainless Steel base models installed off the ground, 86.5cm height	SMZ5045	•	•	•	•	•	•	-

DESCRIPTION	Accessory Nr.	SMV4HVX38G	SMV4HTX27G	SMV2HAX02G	SMV2ITX22G	SMV2ITX18G	SPV4EMX21G	SPV2HKX39G
Decor strip - For 60cm and 45cm Stainless Steel base models, 81.5cm height	SMZ5005	-	-	•	-	-	-	-
Decor strip - For 60cm Polinox base models, 81.5cm height	SMZ5006	•	•	-	-	•	•	•
Decor strip - For 60cm Stainless Steel base models installed off the ground, 81.5cm height	SMZ5035	-	-	•	-	-	-	-
Decor strip - For full size Stainless Steel base models, 86.5cm height	SMZ5015	-	•	•	•	•	-	-
Decor strip - For full size Stainless Steel base models installed off the ground, 86.5cm height	SMZ5045	-	•	•	•	•	-	-

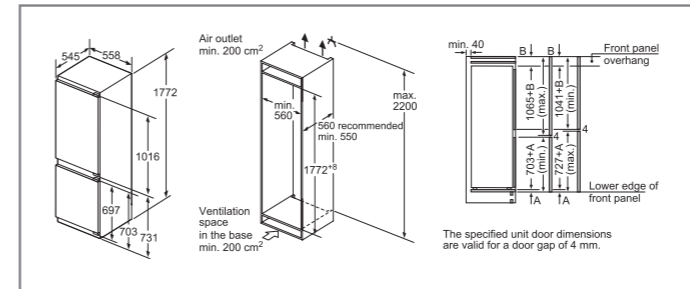
All diagram measurements are in millimetres (mm)

We try to keep up to date with constant technological improvements, so from time to time we may update installation guidelines. Therefore we strongly recommend that you download the latest installation guidelines from [www.bosch-home.co.uk](http://www.bosch-home.co.uk). Line drawings are for guidance only, and we recommend that you refer to the latest installation guidelines. Though every care is taken to ensure instructions are correct at the time of printing, Bosch cannot accept responsibility for incorrect planning or installation as a result of the use of these line drawings.

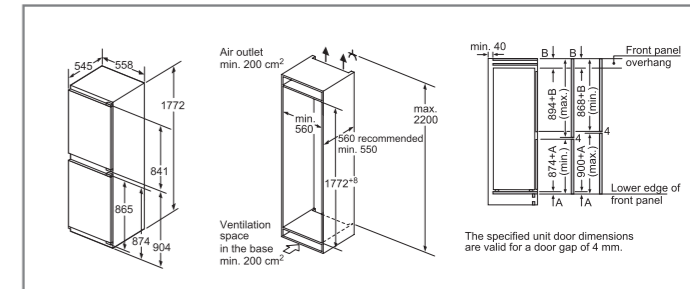
Explore more at [bosch-home.co.uk](http://bosch-home.co.uk) / [bosch-home.ie](http://bosch-home.ie)

## Integrated cooling technical diagrams

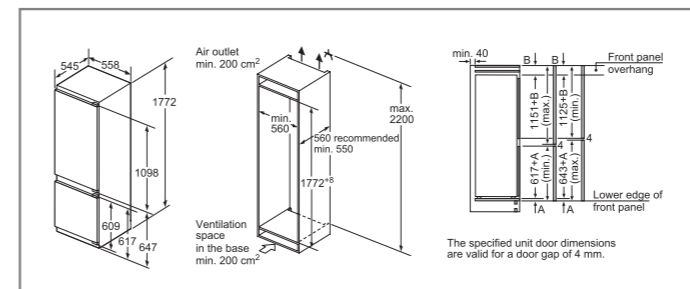
### Fridge freezers, fridges and freezers



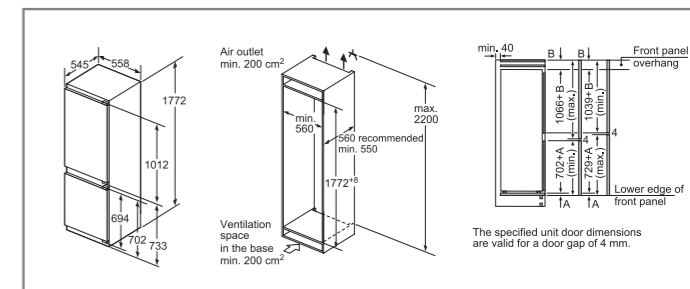
KIN86AFF0G, KIF86PFE0



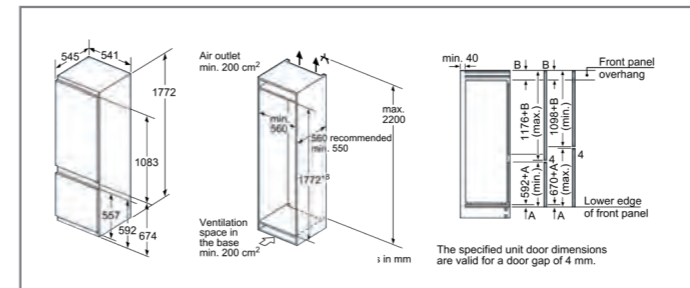
KIN85NFF0G, KIN85NSF0G



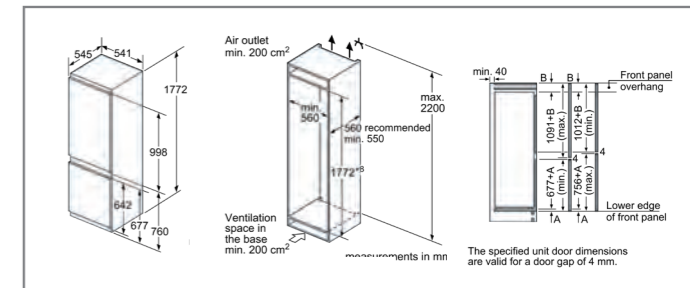
KIS87AFE0G, KIV87NSF0G



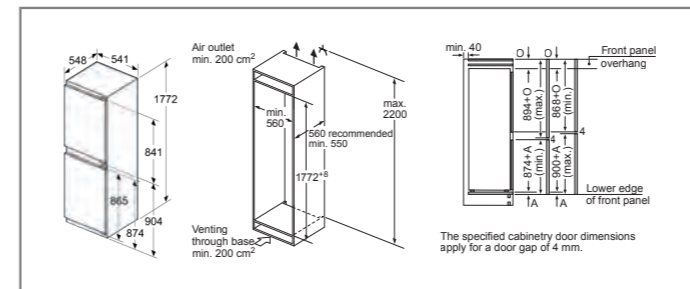
KIN86NFF0G, KIN86HFE0, KIS86AFE0G, KIN86VFE0G,



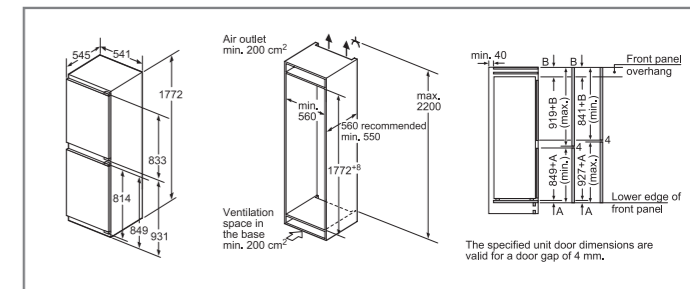
KIV87VSE0G, KIV87VFE0G



KIV86VSE0G, KIN86VSE0G, KIN86NSF0G



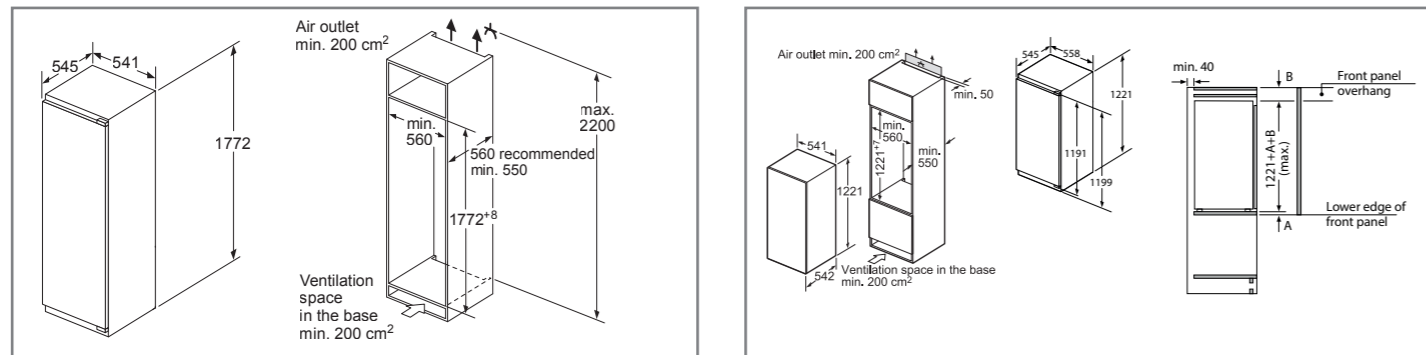
KIF82PFF0



KIF81PFE0, KIR81AFE0G

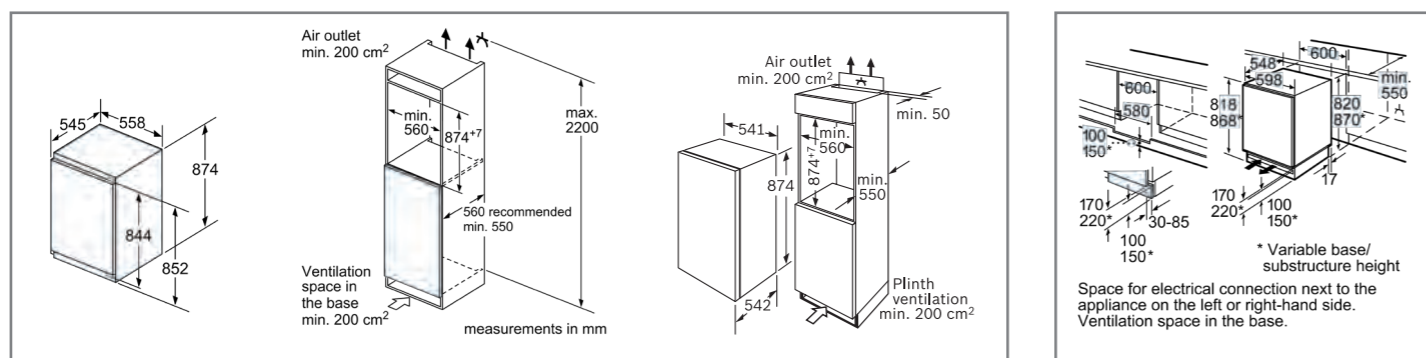
## Integrated cooling technical diagrams

### Single door fridges and freezers



KIF82PFF0, KIF81PFE0, KIR81AFE0G, KIL82AFF0G, KIR81VSF0G, KIL82VSF0, GIN81AEF0G, GIN81HCE0G

KIR41AFF0G, KIR41NSE0G



KIR21ADD0, KIR21AFF0G, KIR18NSF0G, GIV21AFE0, GIV21VSE0G

KUL15AFF0G, KUR15AFF0G, GUD15AFF0G

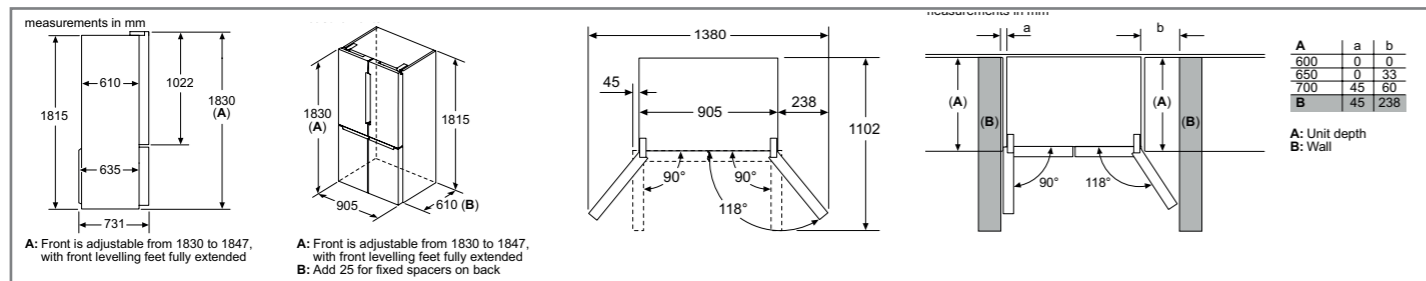
## Matching fridges & freezers

Freezer Model	Height	Matching Fridges
<b>GIV21VSE0G</b>	87cm	KIR21ADD0, KIR21AFF0G, KIR18NSF0G
<b>GIV21AFE0</b>	87cm	KIR21AFF0G

Freezer Model	Height	Matching Fridges
<b>GIN81HCE0G</b>	177.2cm	KIF82PFF0, KIF81PFE0, KIR81AFE0G, KIL82AFF0G, KIL82AFF0G, KIR81VSF0G, KIL82VSF0
<b>GUD15AFF0G</b>	82cm	KUL15AFF0G, KUR15AFF0G

## Cooling technical diagrams

### American-style & multi-door fridge freezers



KFN96APEAG, KFN96VPEAG

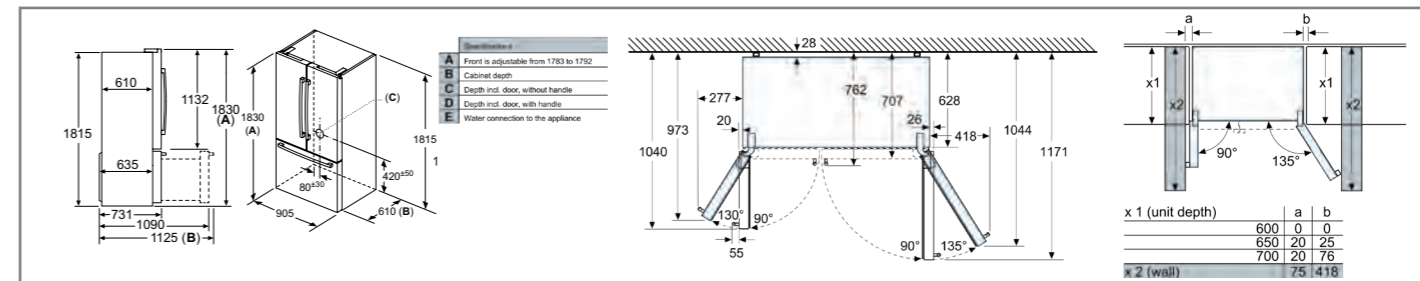
All diagram measurements are in millimetres (mm)

We try to keep up to date with constant technological improvements, so from time to time we may update installation guidelines. Therefore we strongly recommend that you download the latest installation guidelines from [www.bosch-home.co.uk](http://www.bosch-home.co.uk). Line drawings are for guidance only, and we recommend that you refer to the latest installation guidelines. Though every care is taken to ensure instructions are correct at the time of printing, Bosch cannot accept responsibility for incorrect planning or installation as a result of the use of these line drawings.

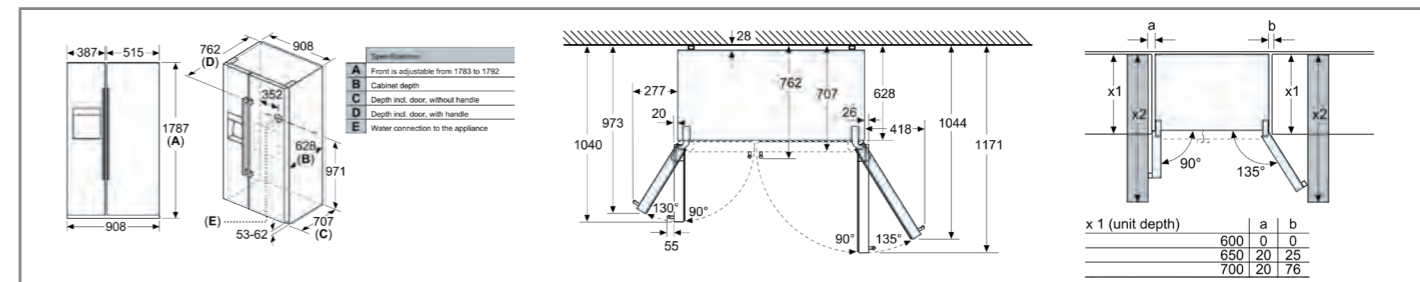
Explore more at [bosch-home.co.uk](http://bosch-home.co.uk) / [bosch-home.ie](http://bosch-home.ie)

## Cooling technical diagrams

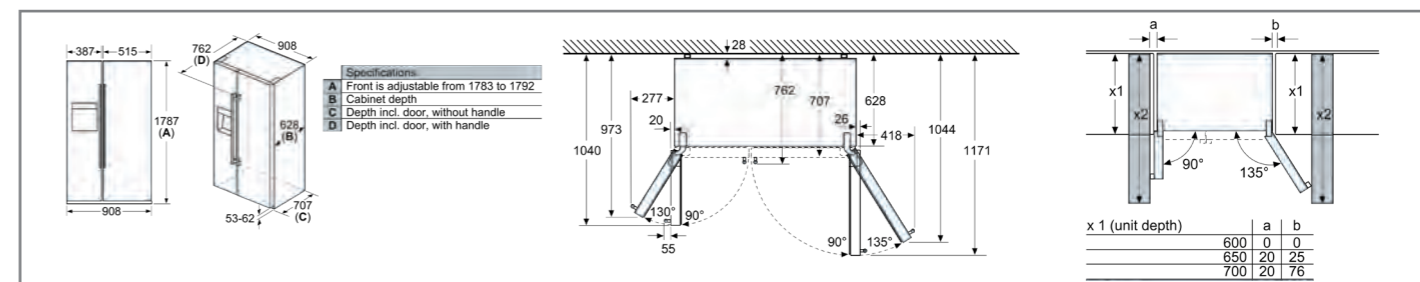
### American-style & multi-door fridge freezers



KFF96PIEP

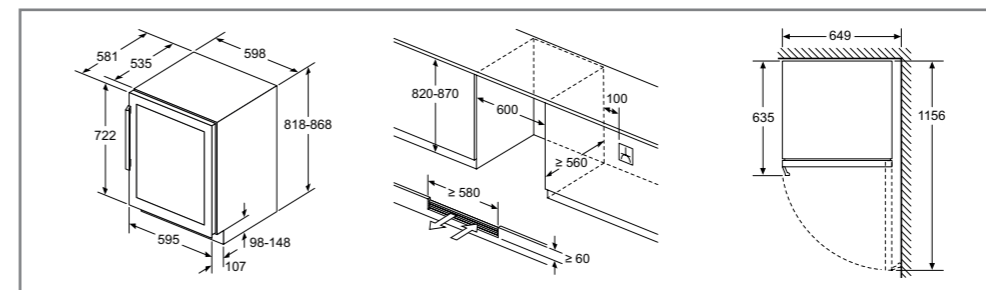


KAG93AIEPG, KAD93VIFPG, KAD93VBFG, KAI93VIFPG

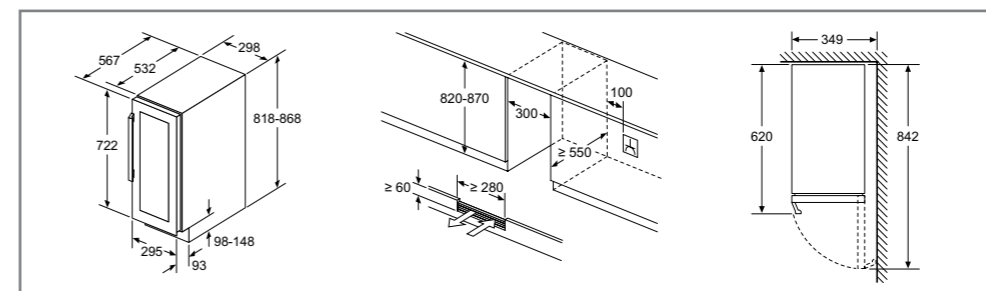


KAN93VIFPG

### Wine cabinets



KUW21AHG0G



KUW20VHFG

All diagram measurements are in millimetres (mm)

We try to keep up to date with constant technological improvements, so from time to time we may update installation guidelines. Therefore we strongly recommend that you download the latest installation guidelines from [www.bosch-home.co.uk](http://www.bosch-home.co.uk). Line drawings are for guidance only, and we recommend that you refer to the latest installation guidelines. Though every care is taken to ensure instructions are correct at the time of printing, Bosch cannot accept responsibility for incorrect planning or installation as a result of the use of these line drawings.

Making **life easy** through innovative technologies

Download a copy of our catalogues online at **www.bosch-home.co.uk** or call **0344 892 8979**

**Contact Bosch Customer Service**

To arrange an engineer visit, obtain product advice or order replacement spare parts or accessories visit **www.bosch-home.co.uk** or call **0344 892 8979**

Republic of Ireland customers should visit **www.bosch-home.ie** to arrange an engineer's visit, or to order spare parts and accessories, or call **(01) 450 2655**



**BoschHomeUK**



**BoschHomeUK**



**boschhomeuk**

Calls are charged at the basic rate, please check with your telephone service provider for exact charges.

Disclaimer: This brochure is current as from the publication date and supersedes all previous brochures for these products. This brochure should not be regarded as an infallible guide nor as an offer for sale of any particular product. Whilst BSH Home Appliances Ltd believes that all information contained within this brochure is correct at the time of going to print, no representation or warranty, express or implied, is or will be made and no responsibility or liability is or will be accepted by BSH Home Appliances Ltd in relation to the accuracy or completeness of this information and any liability is expressly disclaimed. To the extent permitted by law, BSH Home Appliances Ltd expressly excludes: i) all conditions, warranties and other terms which might otherwise be implied by statute, common law or the law of equity and ii) any liability for any direct, indirect or consequential loss or damage (including, without limitation, damages for loss of business or loss of profits) arising in contract, tort or otherwise from the use of or reliance on any information contained within this brochure or from any action or decision taken as a result of such use or reliance. BSH Home Appliances Ltd reserves the right to modify technical data and all other information contained within this brochure without notice. All rights reserved. No part of this publication may be reproduced in any form or without the prior written permission of BSH Home Appliances Ltd. All colour variations are due to the limitations of the printing process. We recommend a visit to a Bosch dealer to confirm that specifications and colours are to your satisfaction.

April 2022.

**BSH Home Appliances Limited**  
Grand Union House  
Old Wolverton Road, Wolverton  
Milton Keynes MK12 5PT  
**www.bosch-home.co.uk**

**BSH Home Appliances Limited**  
M50 Business Park  
Ballymount, Dublin 12  
**Tel: 1890 626 041**  
**www.bosch-home.ie**