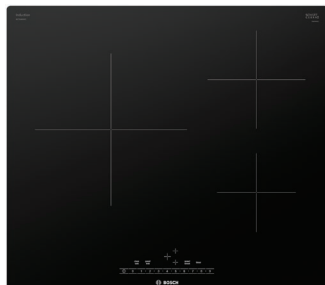


# 24" Induction Cooktop

500 Series – Black NIT5460UC



**BOSCH**  
Invented for life



**NIT5460UC**  
Black

The 24" induction cooktop is engineered to perform precisely and is ideal for kitchens with a smaller footprint.

## Features & Benefits

Induction – faster than gas and electric cooktops. Precise cooking, easy cleaning and more efficient

11" cooking zone for larger pots and pans

17 power levels for each cooking zone

The smooth ceramic glass surface makes cooking and cleaning especially easy.

SpeedBoost® – adds even more power to speed up the cooking process

## Element Performance

Power of Back Left heating element	2,600 W
Power of Back Left heating element (in boost)	3,600 W
Power of Back Right heating element	1,800 W
Power of Back Right heating element (in boost)	3,100 W
Power of Front Right heating element	1,400 W
Power of Front Right heating element (in boost)	2,200 W
Burners with booster	All

## Element Size

Dimension of Back Left heating element	11"
Dimension of Back Right heating element	7"
Dimension of Front Right heating element	6"

## Technical Details

Watts	7,200 W
Circuit breaker	30 A
Volts	208-240 V
Frequency	60 Hz
Plug type	No Plug
Power cord length	37"
Energy source	Electric

## Dimensions & Weight

Overall appliance dimensions (HxWxD)	4 1/8" x 24" x 20 9/16"
Required cutout size (HxWxD)	4 1/8" x 22" x 19 1/4"
Minimum distance from counter front	2 1/4"
Minimum distance from rear wall	2"
Net weight	20 lbs



**Accessories:** To purchase Bosch accessories, cleaners & parts please visit [www.bosch-home.com/us/store](http://www.bosch-home.com/us/store) or call 1-800-944-2904 (Mon to Fri 5 am to 6 pm PST, Sat 6 am to 3 pm PST).

**Notes:** All height, width and depth dimensions are shown in inches. BSH reserves the absolute and unrestricted right to change product materials and specifications, at any time, without notice. Consult the product's installation instructions for final dimensional data and other details prior to making cutout.

**Warranties:** Please see Use & Care manual or Bosch website for statement of limited warranty.

**For more information on our entire line of products, go to [www.bosch-home.com/us](http://www.bosch-home.com/us) or call 1-800-944-2904**

© BSH Home Appliances Corporation. All rights reserved. Bosch is a registered trademark of Robert Bosch GmbH.

# 24" Induction Cooktop

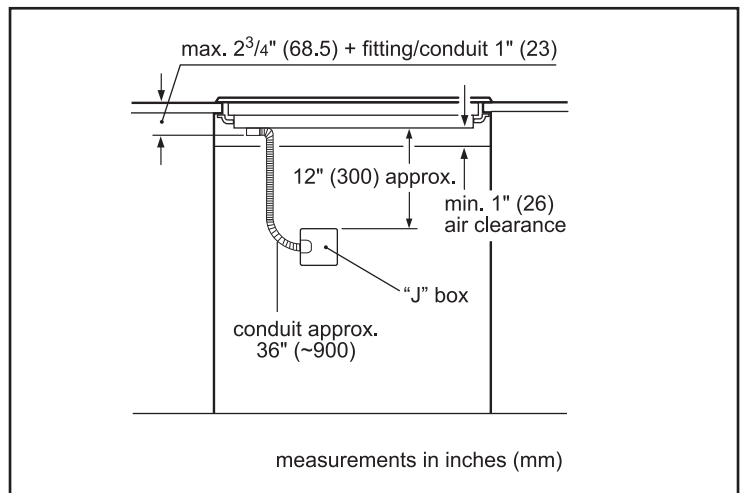
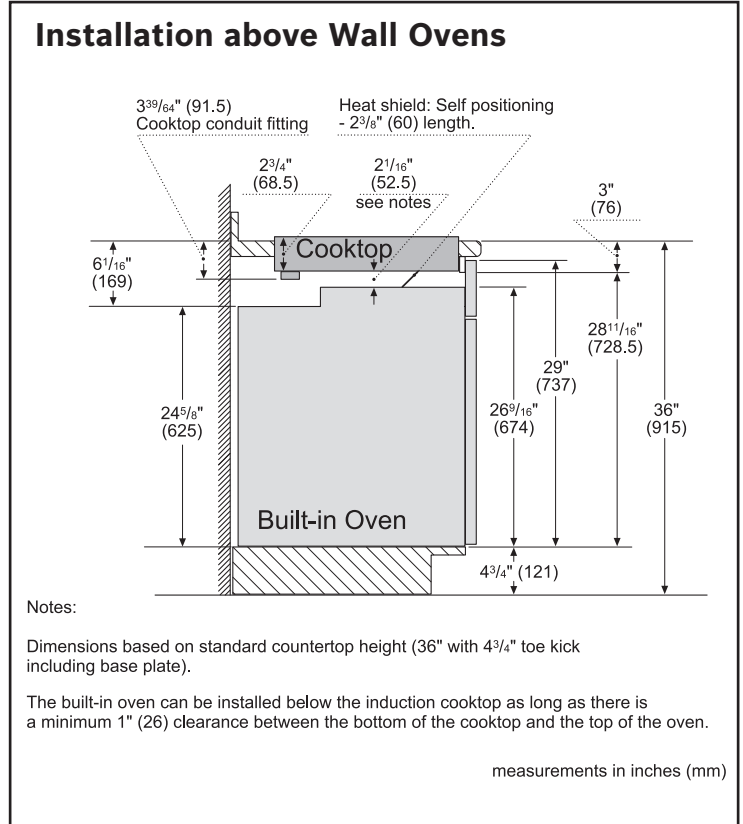
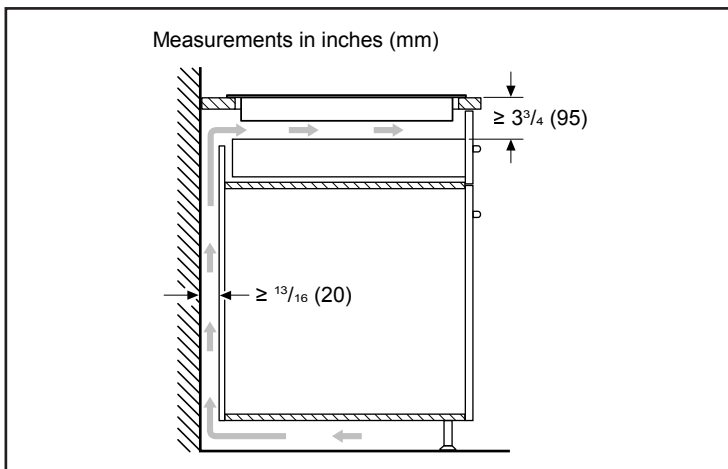
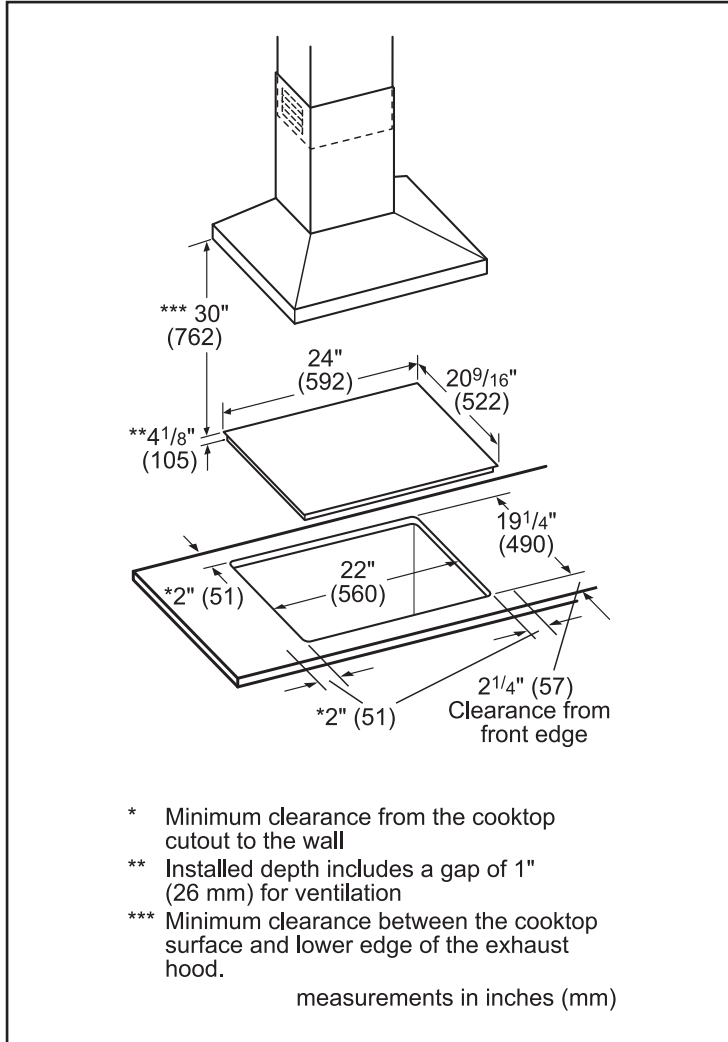
500 Series – Black NIT5460UC



**BOSCH**

Invented for life

## Installation Details



**Accessories:** To purchase Bosch accessories, cleaners & parts please visit [www.bosch-home.com/us/store](http://www.bosch-home.com/us/store) or call 1-800-944-2904 (Mon to Fri 5 am to 6 pm PST, Sat 6 am to 3 pm PST).

**Notes:** All height, width and depth dimensions are shown in inches. BSH reserves the absolute and unrestricted right to change product materials and specifications, at any time, without notice. Consult the product's installation instructions for final dimensional data and other details prior to making cutout.

**Warranties:** Please see Use & Care manual or Bosch website for statement of limited warranty.

**For more information on our entire line of products, go to [www.bosch-home.com/us](http://www.bosch-home.com/us) or call 1-800-944-2904**

© BSH Home Appliances Corporation. All rights reserved. Bosch is a registered trademark of Robert Bosch GmbH.