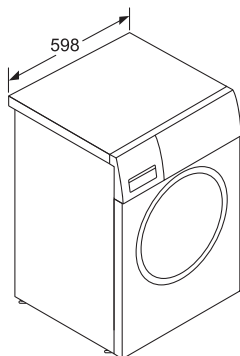
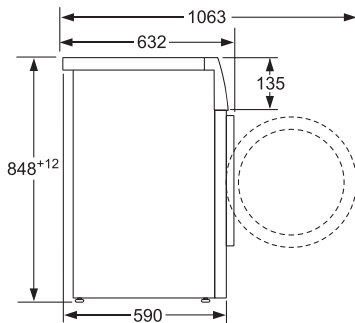




BOSCH

Invented for life



WGA246UGHK
Front loading washer

\$10,200



Design

- Series 8
- AllergyPlus program: 99.9%[^] bacteria removal at low temperature wash
- 4D Wash system with Intensive Plus: highly efficient water and detergent fabric penetration for spotless results
- AntiStain System: Easy, gentle and effective removal of the 4 most common stains: Blood, Cosmetics, Grease and oil, Tea by automatically adjusts the temperature, drum movement and washing cycles
- EcoSilence Drive™ (EcoSilence Drive™: Extremely energy-efficient and quiet in operation with long lifetime
- AntiVibration™ design(AntiVibration™ design: More stability, less vibration
- AquaStop® water protection system: Intelligent water leakage protection system which detects a leak and prevents flooding

Programmes & additional options

- Programs: Eco 40-60, Cottons, Cottons Colour, Synthetics, Mix, Delicates/Silk, Wool, AllergyPlus, Quick 15'/30', Shirts, Sportswear, Drum Clean, Spin/Drain, Rinse
- Options: Intensive Plus, Anti-Stain, SpeedPerfect, Pre-wash, Extra Rinse, Remote Start, Temperature selection, Spin speed selection, Finish in time selection, Start/Reload

Technology

- AllergyPlus program: 99.9%^{*} bacteria removal at low temperature wash
- 4D Wash system with Intensive Plus: highly efficient water and detergent fabric penetration for spotless results
- AntiStain System: Easy, gentle and effective removal of the 4 most common stains: Blood, Cosmetics, Grease and oil, Tea by automatically adjusts the temperature, drum movement and washing cycles
- EcoSilence Drive™: Extremely energy-efficient and silent in operation with long lifetime guaranteed for 10 years
- AntiVibration™ design: More stability, less vibration
- Super suspension system: 3 suspension axels
- VarioDrum: Comfort, spacious, gentle on fabrics, tough on stains
- Electronic control dials and Large LED-Display for program status indication, remaining time, temperature, spin speed, water and energy consumption status, additional options and 24 hours end time delay
- LED Drum interior light
- ActiveWater™ Plus and Flow sensor: Optimization of water consumption
- AquaStop® water protection system: Intelligent water leakage protection system which detects a leak and prevents flooding
- Jetsystem™: SelfCleaning detergent drawer
- 3D AquaSpa wash system: Fast water penetration
- Energy and water consumption indicator
- Buzzer to indicate the end of cycle

Safety functions

- AquaStop® water protection system
- Foam detection and unbalanced load detection
- Childproof lock

Technical information

- Washing Capacity: 9kg
- Spin speed selection from 400-1600rpm
- HK energy label 1
- HK water label 1
- Total connected load: 2kW (10A)
- Dimensions (H x W x D): 848 x 598 x 590(632*) mm

Country of origin

- Germany

[^] 99.9% reduction on Escherichia coli in AllergyPlus (cold water) program – Study Report No. HKTEC2102956605 issued by SGS Hong Kong Limited (11 /2021)

^{*} Included door frame thickness

Please reserve 5-10mm as buffer due to possible uneven flooring
Please consult product hotline for installation requirement