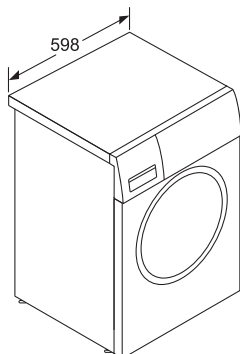
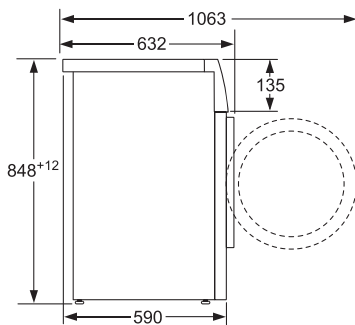




# BOSCH

Invented for life



	<b>WGA256BGHK</b> Front loading washer	<b>\$12,800</b>
<b>Design</b>	<ul style="list-style-type: none"> <li>• Series 8</li> <li>• AllergyPlus program: 99.9%<sup>a</sup> bacteria removal at low temperature wash</li> <li>• Active Oxygen™ Refresh: Refreshing your clothes from odors without washing in just 45 min</li> <li>• 4D Wash system with Intensive Plus: highly efficient water and detergent fabric penetration for spotless results</li> <li>• EcoSilence Drive™ (EcoSilence Drive™: Extremely energy-efficient and quiet in operation with long lifetime</li> <li>• AntiVibration™ design(AntiVibration™ design: More stability, less vibration</li> <li>• AquaStop® water protection system: Intelligent water leakage protection system which detects a leak and prevents flooding</li> </ul>	
<b>Programmes &amp; additional options</b>	<ul style="list-style-type: none"> <li>• Programs: Cottons, Cottons Eco, Synthetics, Mix, Delicates/Silk, Wool, Rinse, Active Oxygen Refresh, AllergyPlus, Quick 15'/30', Shirts, Sportswear, AllergyPlus, Drum Clean, Spin/Drain</li> <li>• Options: Intensive Plus, SpeedPerfect, Pre-wash, Extra Rinse, Remote Start, Temperature selection, Spin speed selection, Finish in time selection, Start/Reload</li> </ul>	
<b>Technology</b>	<ul style="list-style-type: none"> <li>• AllergyPlus program: 99.9%<sup>a</sup> bacteria removal at low temperature wash</li> <li>• Active Oxygen™ Refresh: Refreshing your clothes from odors without washing in just 45 min</li> <li>• 4D Wash system with Intensive Plus: highly efficient water and detergent fabric penetration for spotless results</li> <li>• EcoSilence Drive™: Extremely energy-efficient and silent in operation with long lifetime guaranteed for 10 years</li> <li>• AntiVibration™ design: More stability, less vibration</li> <li>• Super suspension system: 3 suspension axels</li> <li>• VarioDrum: Comfort, spacious, gentle on fabrics, tough on stains</li> <li>• Electronic control dials and Large LED-Display for program status indication, remaining time, temperature, spin speed, water and energy consumption status, additional options and 24 hours end time delay</li> <li>• LED Drum interior light</li> <li>• ActiveWater™ Plus and Flow sensor: Optimization of water consumption</li> <li>• AquaStop® water protection system: Intelligent water leakage protection system which detects a leak and prevents flooding</li> <li>• Jetsystem™: SelfCleaning detergent drawer</li> <li>• 3D AquaSpa wash system: Fast water penetration</li> <li>• Energy and water consumption indicator</li> <li>• Buzzer to indicate the end of cycle</li> </ul>	
<b>Safety functions</b>	<ul style="list-style-type: none"> <li>• AquaStop® water protection system</li> <li>• Foam detection and unbalanced load detection</li> <li>• Childproof lock</li> </ul>	
<b>Technical information</b>	<ul style="list-style-type: none"> <li>• Washing Capacity: 10kg</li> <li>• Spin speed selection from 400-1600rpm</li> <li>• HK energy label 1</li> <li>• HK water label 1</li> <li>• Total connected load: 2kW (10A)</li> <li>• Dimensions (H x W x D): 848 x 598 x 590(632*) mm</li> </ul>	
<b>Country of origin</b>	<ul style="list-style-type: none"> <li>• Germany</li> </ul>	

<sup>a</sup> 99.9% reduction on Escherichia coli in AllergyPlus (cold water) program – Study Report No. HKTEC2106067802 issued by SGS Hong Kong Limited (02/2022).

\* Included door frame thickness

Please reserve 5-10mm as buffer due to possible uneven flooring  
Please consult product hotline for installation requirement

Measurements in mm