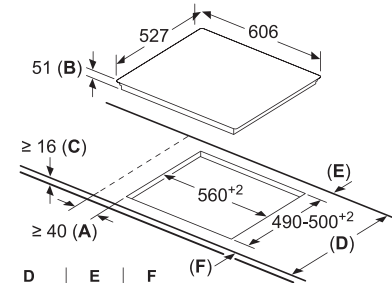
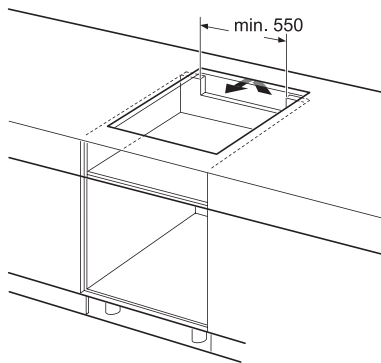
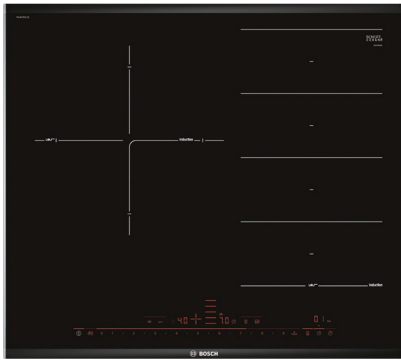




BOSCH

Invented for life



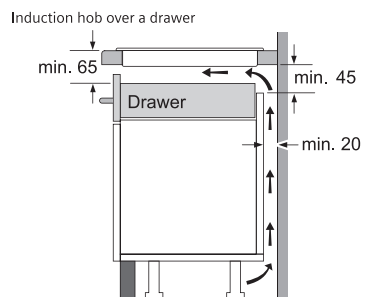
D	E	F
585-600	50	≥ 35
> 600	≥ 50	≥ 50

A: Minimum distance from the hob cut-out to the wall.

B: Recessed depth

C: The clearance between the surface of the worktop and the top of the front of the oven must be 30 mm. See space requirements for the oven.

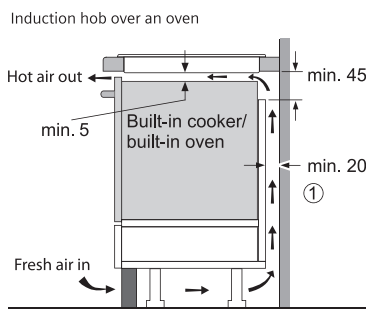
The worktop into which the hob is installed must withstand loads of approx. 60 kg; suitable substructures must be used if required.



PXJ675DC1E 60cm FlexInduction Hob with PerfectFry \$26,800



Performance	<ul style="list-style-type: none"> • 3 induction cooking zones • 1 FlexInduction Zone • 17 stages of power setting • DirectSelect Premium: Direct and simple selection 																				
Functions	<ul style="list-style-type: none"> • QuickStart • ReStart 																				
Features	<ul style="list-style-type: none"> • PerfectFry: For perfect browning of roasted foods • MoveMode with 3 power levels • PowerBoost: Up to 50% more power for faster heating • PanBoost for added quickness • Energy consumption display • Count-down timer for each zone • Count-up timer for each zone • Kitchen timer 																				
Design	<ul style="list-style-type: none"> • SCHOTT CERAN® ceramic glass • ComfortProfil: Beveled front and rear with side profiles • Can be combined with all hobs in comfort design 																				
Safety functions	<ul style="list-style-type: none"> • Digital 2-stage residual heat indicator for each zone • Main switch • Safety switch-off • Small cookware detection • Anti overflow protection • Wipe protection • Childproof lock 																				
Technical information	<ul style="list-style-type: none"> • Cooking zone output <table border="1"> <thead> <tr> <th>Zone</th> <th>Output (kW)</th> <th>Output without booster (kW)</th> <th>Dimensions (mm)</th> </tr> </thead> <tbody> <tr> <td>Left</td> <td>3.7</td> <td>2.6</td> <td>280</td> </tr> <tr> <td>Right FlexZone</td> <td>3.7</td> <td>3.3</td> <td>380 x 210</td> </tr> <tr> <td>Front right</td> <td>3.7</td> <td>2.2</td> <td>190 x 210</td> </tr> <tr> <td>Rear right</td> <td>3.7</td> <td>2.2</td> <td>190 x 210</td> </tr> </tbody> </table> <ul style="list-style-type: none"> • Total connected load: 7.4kW (220V/40A single phase or 380V/20A three-phase connection) • Dimensions: <ul style="list-style-type: none"> - Appliance (H x W x D): 51* x 606 x 527 mm *excl. glass thickness - Cut out (W x D): 560 x 490-500 mm 	Zone	Output (kW)	Output without booster (kW)	Dimensions (mm)	Left	3.7	2.6	280	Right FlexZone	3.7	3.3	380 x 210	Front right	3.7	2.2	190 x 210	Rear right	3.7	2.2	190 x 210
Zone	Output (kW)	Output without booster (kW)	Dimensions (mm)																		
Left	3.7	2.6	280																		
Right FlexZone	3.7	3.3	380 x 210																		
Front right	3.7	2.2	190 x 210																		
Rear right	3.7	2.2	190 x 210																		
Optional accessories	<ul style="list-style-type: none"> • Connection strip (HEZ394301 Price: \$900) • System pan: 21cm (HEZ390230 Price: \$1,550) 																				
Country of origin	<ul style="list-style-type: none"> • Spain 																				



① Ventilation gap must be present

Measurements in mm