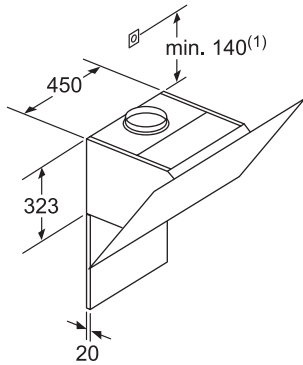
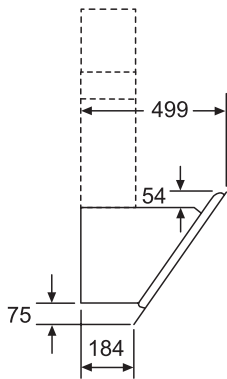




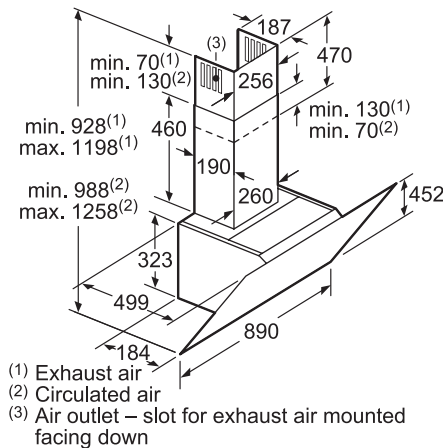
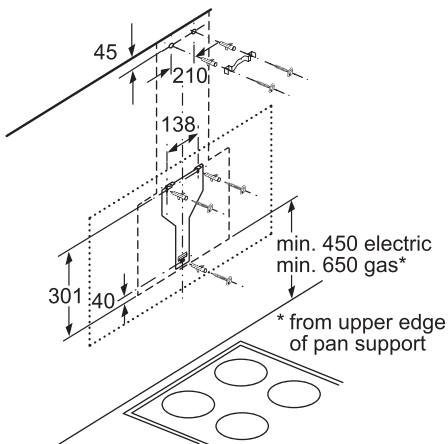
BOSCH

Invented for life

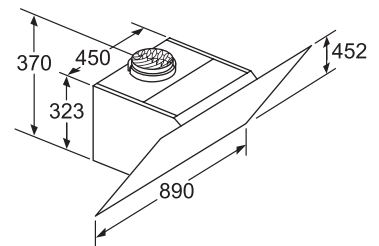


(1) Position of socket

Note the maximum thickness of the back panel.



(1) Exhaust air
 (2) Circulated air
 (3) Air outlet – slot for exhaust air mounted facing down



Appliance in circulated air mode without duct
 Circulated air set required

DWK97JM20 (Arctic White) 90cm inclined hood - colorglass		\$19,800
Performance	<ul style="list-style-type: none"> • Suitable for exhaust or re-circulated air operation • 3 speeds plus intensive settings • EcoSilence Drive™ technology 	
Functions	<ul style="list-style-type: none"> • Electronic TouchControl • 2 x 1.5W LED lighting 	
Features	<ul style="list-style-type: none"> • Easy-to-clean interior makes cleaning easy • Automatically switches back from intensive to normal setting 	
Design	<ul style="list-style-type: none"> • Inclined wall-mounted design • Chimless recirculation* * Optional accessory required • RimVentilation 	
Technical information	<ul style="list-style-type: none"> • Extraction capacity: 722m³/h (EN 61591) • 120 or 150mm diameter pipe • Total connected load: 0.143kW (13A) • Appliances dimensions (H x W x D): 928-1,198 (452*) x 890 x 499 mm * Chimless recirculation 	
Supplied accessory	<ul style="list-style-type: none"> • 2 dishwasher-safe metal filters 	
Optional accessories	<ul style="list-style-type: none"> • Recirculation Kit (regenerative*, without chimney) (DWZ0AKOR0: \$3,800) • Recirculation Kit (regenerative*, with chimney) (DWZ0AKOS0: \$3,800) <p>* Maximum 10 years lifespan: the regenerative filter (optional accessory) can be regenerated up to 30 times, regeneration should be carried out in an oven at 200°C every 4 months with normal daily use of approximately 1 hour.</p>	
Country of origin	<ul style="list-style-type: none"> • Germany <p>* Indent Order</p>	

Measurements in mm