



BOSCH

Invented for life



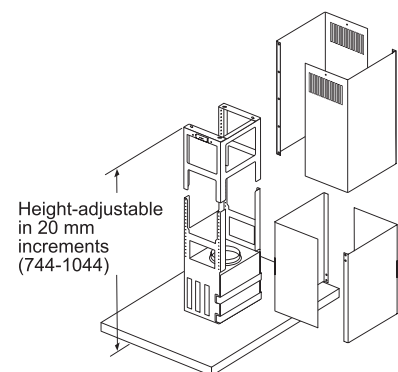
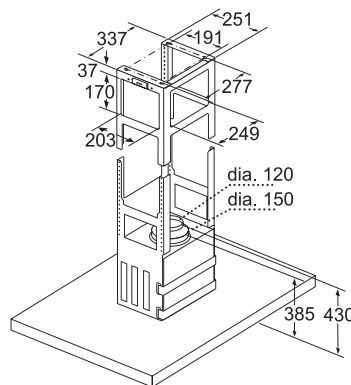
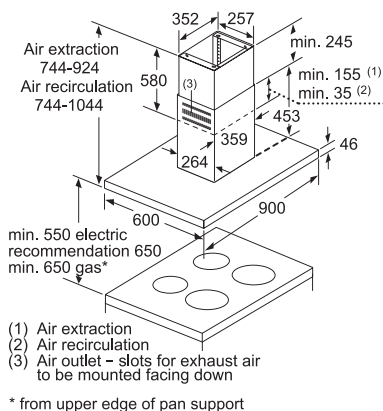
DIB98JQ50B
90cm island chimney hood

\$25,400



Performance	<ul style="list-style-type: none"> Suitable for exhaust or re-circulated air operation 3 speeds plus 2 power boost settings EcoSilence Drive™ technology
Functions	<ul style="list-style-type: none"> Electronic Touch Control 4 x 1.5W LED lights SoftLight dimmer function
Features	<ul style="list-style-type: none"> Perfect Air Sensor enables fully automatic ventilation Automatically run on for 10 minutes Automatically switches back from power boost to normal setting Saturation indicator for metal and charcoal filter
Design	<ul style="list-style-type: none"> Box slimline design LED lightline
Technical information	<ul style="list-style-type: none"> Max. extraction capacity: 867m³/h (EN 61591) 120 or 150mm diameter pipe Total connected load: 0.166kW (13A) Appliances dimensions (H x W x D): Exhaust: 744-924 x 900 x 600 mm Recirculate: 744-1,044 x 900 x 600 mm
Supplied accessory	<ul style="list-style-type: none"> 3 dishwasher-safe metal grease filters
Optional accessories	<ul style="list-style-type: none"> Charcoal recirculating kit (DHZ5385 Price: \$1,000) Charcoal filter for replacement (DHZ5346 Price: \$300) CleanAir recirculation kit (DIZ2CX5C6* Price: \$3,200) CleanAir regenerative charcoal filter for DIZ2CX5C6* (DZZOXX0P0 Price: \$1,600) <p>* Maximum 10 years lifespan: the regenerative filter can be generated up to 30 times, regeneration should be carried out in an oven at 200°C every 4 months with normal daily use of approximately 1 hour.</p>
Country of origin	<ul style="list-style-type: none"> Germany

* Indent Order



Measurements in mm