

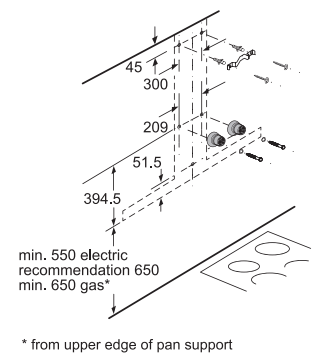
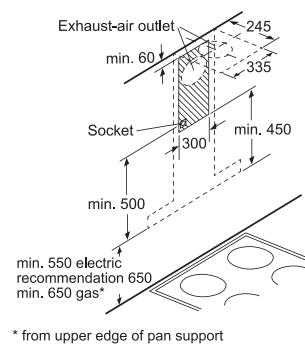
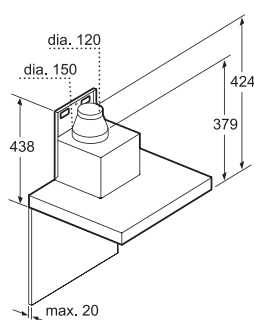
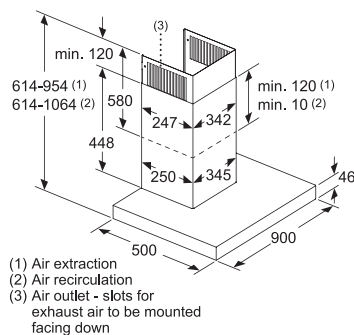


# BOSCH

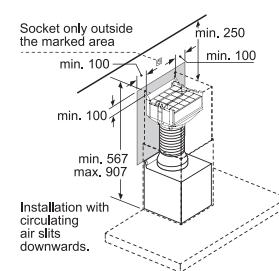
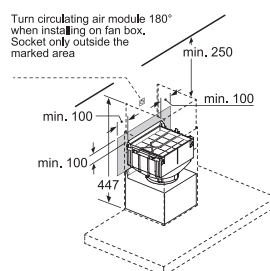
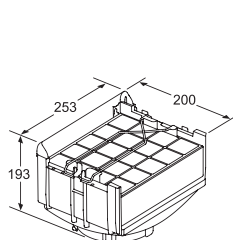
Invented for life



<b>DWB98PR50</b> 90cm wall mounted chimney hood		<b>\$14,800</b>
<b>Performance</b>	<ul style="list-style-type: none"> <li>Suitable for exhaust or re-circulated air operation</li> <li>3 speeds plus 2 power boost settings</li> <li>EcoSilence Drive™ technology</li> </ul>	
<b>Functions</b>	<ul style="list-style-type: none"> <li>Electronic Touch Control</li> <li>3 x 1.5W LED lights</li> <li>SoftLight dimmer function</li> </ul>	
<b>Features</b>	<ul style="list-style-type: none"> <li>CruiseControl: Fresh air assured automatically*</li> <li>Perfect Air Sensor enables fully automatic ventilation</li> <li>Automatically run on for 10 minutes</li> <li>Automatically switches back from power boost to normal setting</li> <li>Saturation indicator for metal and charcoal filter</li> </ul> <p>* Only with compatible hob: PXY875KW1E</p>	
<b>Design</b>	<ul style="list-style-type: none"> <li>Box slimline design</li> <li>LED lightline</li> </ul>	
<b>Technical information</b>	<ul style="list-style-type: none"> <li>Extraction capacity: 843m<sup>3</sup>/h (EN 61591)</li> <li>120 or 150mm diameter pipe</li> <li>Total connected load: 0.165kW (13A)</li> <li>Appliance dimensions (H x W x D): Exhaust: 614-954 x 900 x 500 mm Recirculate: 614-1,064 x 900 x 500 mm</li> </ul>	
<b>Supplied accessory</b>	<ul style="list-style-type: none"> <li>3 dishwasher-safe metal grease filters</li> </ul>	
<b>Optional accessories</b>	<ul style="list-style-type: none"> <li>Charcoal recirculating kit (DHZ5345 Price: \$800)</li> <li>Charcoal filter for DHZ5345 (DHZ5346 Price: \$300)</li> <li>Integrated CleanAir recirculation kit (DWZ0XX0J5 Price: \$2,500)</li> <li>CleanAir regenerative charcoal filter for DWZ0XX0J5* (DZZ0XX0P0 Price: \$1,600)</li> </ul> <p>* Maximum 10 years lifespan: the regenerative filter can be generated up to 30 times, regeneration should be carried out in an oven at 200°C every 4 months with normal daily use of approximately 1 hour.</p>	
<b>Country of origin</b>	<ul style="list-style-type: none"> <li>Germany</li> </ul>	



### Installation with integrated cleanAir Recirculation Kit



Measurements in mm