





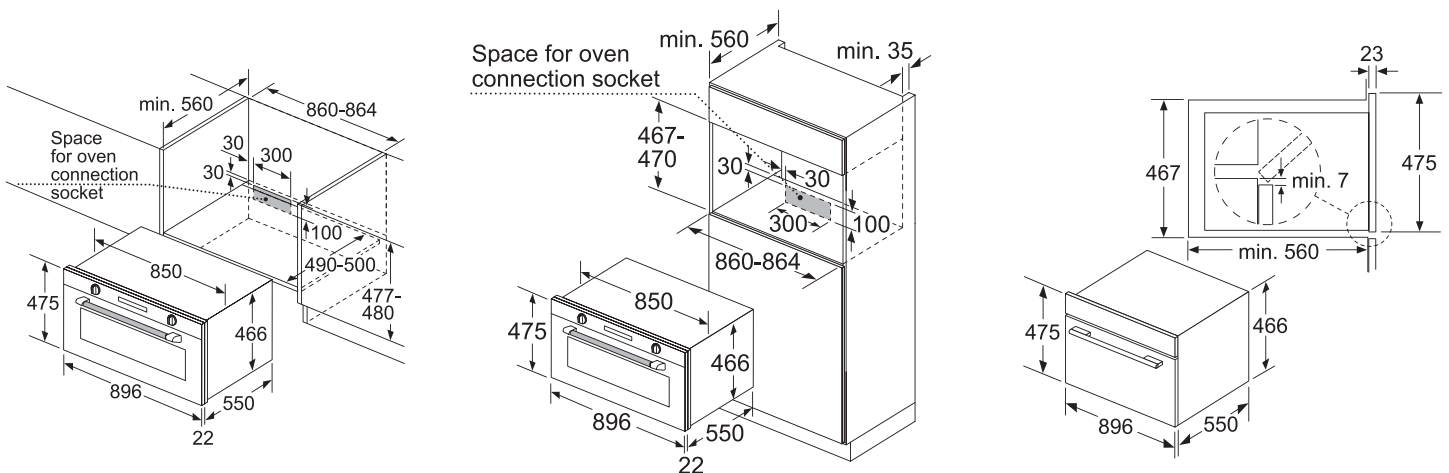
BOSCH

Invented for life



	VBC5540S0 90cm Built-in oven	\$26,800
	 	
Performance	<ul style="list-style-type: none"> • 7 cooking methods <ul style="list-style-type: none"> - Hot air standard - Hot air grilling - Full width grill - Bottom heat - Conventional heat - Conventional heat gentle - Pizza setting 	
Function	<ul style="list-style-type: none"> • Catalytic cleaning (Side and back walls) 	
Features	<ul style="list-style-type: none"> • Triple glass door (40°C door temperature)* • Full-glass door • Halogen interior lighting 	
Design	<ul style="list-style-type: none"> • Enamel oven interior • 4 shelf levels with 1 level telescopic rail • Door hinge: bottom • Mechanical rotary knobs 	
Safety function	<ul style="list-style-type: none"> • Integral cooling fan 	
Technical information	<ul style="list-style-type: none"> • Total connected load: 3.1kW (20A single-phase connection) • Capacity: 85L • Heating temperature: 50°C to 250°C • Dimensions (H x W x D) <ul style="list-style-type: none"> - Appliance: 475 x 896 x 572 mm - Cavity: 282 x 724 x 417 mm 	
Supplied Accessories	<ul style="list-style-type: none"> • 1 combination grid • 1 baking tray • 1 universal pan 	
Country of origin	<ul style="list-style-type: none"> • Italy 	

* Measured at the middle of the window at 180°C oven temperature, after 1 hour on top and bottom heat.



Measurements in mm