

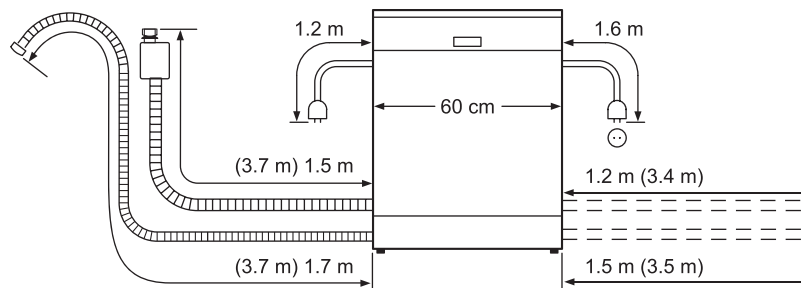
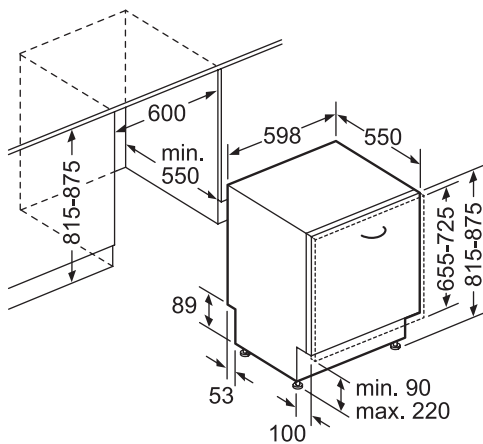


BOSCH

Invented for life



	SMV50D10EU 60cm fully-integrated dishwasher	\$10,800
Programmes	<ul style="list-style-type: none"> • Intensive Wash 70°C • Normal Wash 65°C • Eco Wash 50°C • Quick Wash 45°C • Pre Rinse 	
Function	<ul style="list-style-type: none"> • VarioSpeed 	
Technology	<ul style="list-style-type: none"> • AquaSensor • AquaStop • DosageAssist • Red InfoLight projection on floor during operation 	
Control	<ul style="list-style-type: none"> • Black fascia panel with LED indicator • 3, 6, 9 hours delay start timer 	
Design	<ul style="list-style-type: none"> • 2-level height adjustable top basket • Full flexibility of door panel at your choice (not included accessory) • Moveable cutlery basket 	
Technical information	<ul style="list-style-type: none"> • 12 place settings • Consumption rates (Eco Wash 50°C programme) <ul style="list-style-type: none"> - Water: 11.7L - Electricity: 1.02kWh • Noise level: 48dB • Total connected load: 2.4kW (13A) • Dimensions (H x W x D): <ul style="list-style-type: none"> - Appliance: 815-875 x 598 x 550 mm 	
Country of origin	<ul style="list-style-type: none"> • Poland 	



() values with extension kit

* 99.99% reduction on Escherichia coli, Staphylococcus aureus in Eco 50°C program, HKGEC1700303101 (date 05/17) issued by SGS Hong Kong Limited.

Measurements in mm