









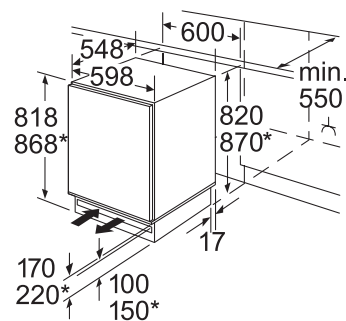
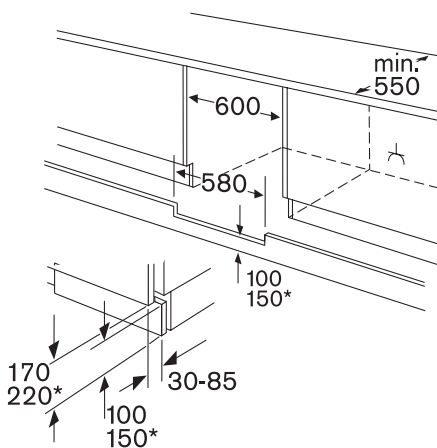


# BOSCH

Invented for life



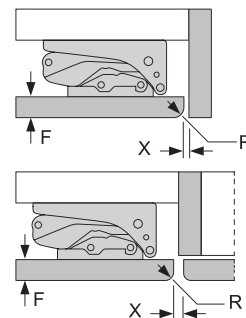
<b>KUL15AFF0G</b> Built-under refrigerator		<b>\$15,800</b>
       		
<b>Performance</b>	<ul style="list-style-type: none"> <li>• EU Energy efficiency class: A++ (140kWh per year)</li> <li>• HK Energy label: Grade 1</li> <li>• Total net capacity: 123 litres</li> <li>• Net fridge capacity: 108 litres</li> <li>• Net freezer capacity: 15 litres</li> <li>• Freezing capacity in 24 hours: 2kg</li> <li>• Maximum freezer storage time in power failure: 10 hours</li> <li>• Noise level: 38dB</li> <li>• Total connected load: 0.09kW (13A)</li> </ul>	
<b>Key features</b>	<ul style="list-style-type: none"> <li>• Auto defrost function in fridge</li> <li>• Super Freezing function with automatic deactivation</li> <li>• Integrated freezer compartment</li> <li>• Manual defrost freezer</li> <li>• Removable magnetic door seals - easy to clean and to replace</li> </ul>	
<b>Additional features</b>	<ul style="list-style-type: none"> <li>• 2 safety glass shelves in fridge compartment of which 1 are height adjustable</li> <li>• 2 vegetables/salad containers</li> <li>• 1 egg tray</li> <li>• 3 door shelves</li> <li>• 1 ice cube tray</li> <li>• LED interior lighting</li> <li>• Day light-bright interior lighting</li> <li>• Right hinged door, door reversible</li> <li>• Ventilation through plinth, no cutting of worktop required</li> </ul>	
<b>Design</b>	<ul style="list-style-type: none"> <li>• Flush-folding hinge</li> <li>• LED display and control</li> <li>• Dimensions (H x W x D): 818-868 x 598 x 548 mm</li> </ul>	
<b>Country of origin</b>	• Germany	



\* Variable base/height of substructure

Space for electrical connection on the right side or on the left next to the appliance. Venting to and from the base.

### Recommended gap dimensions for flat hinges



F	R	X
16-19	0-3	2.5
20	0-1	3
21	2-3	2.5
	0-1	3
22	2-3	2.5
	0	4
	1	3.5
	2-3	3

The gap dimensions recommended in the table must be adhered to in order to ensure that appliance doors do not collide with anything when they are opened, and to avoid causing damage to kitchen units.

This appliance is best installed in a dry and/or air-conditioned room.