





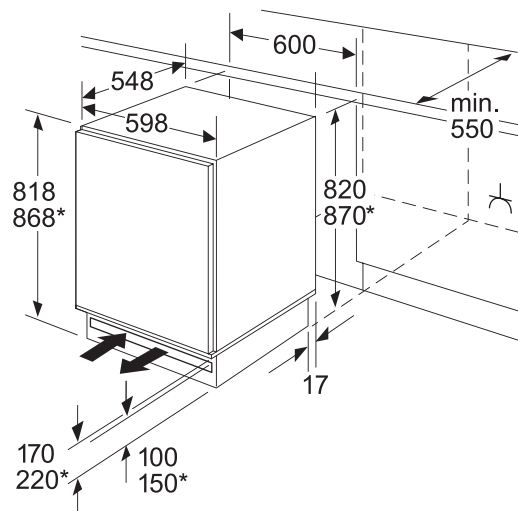
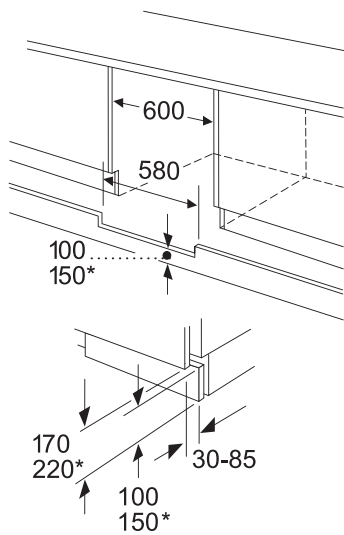


BOSCH

Invented for life



	KUR15A50HK Built-under fridge	\$14,800
	   	
Performance	<ul style="list-style-type: none"> • EU Energy efficiency class: A+ (118kWh per year) • Total net capacity: 138 litres • Noise level: 38dB • Total connected load: 0.09kW (13A) 	
Key features	<ul style="list-style-type: none"> • Auto defrost function in fridge • Removable magnetic door seals - easy to clean and to replace 	
Additional features	<ul style="list-style-type: none"> • 3 safety glass shelves in fridge compartment of which 3 are height adjustable • 2 vegetable/salad containers • 1 egg tray • 3 door shelves • Day light-bright interior lighting • Right hinged door, door reversible • Ventilation through plinth, no cutting of worktop required 	
Design	<ul style="list-style-type: none"> • Flush-folding hinge • Mechanical control • Dimensions (H x W x D): 818-868 x 598 x 548 mm 	
Country of origin	<ul style="list-style-type: none"> • Germany 	



Space for electrical connection next to the appliance on the left or right-hand side.
Ventilation space in the base.

* Variable base/substructure height

This appliance is best installed in air-conditioned rooms. However, there is still a possibility of condensation on appliances if the environment is highly humid.

Measurements in mm