

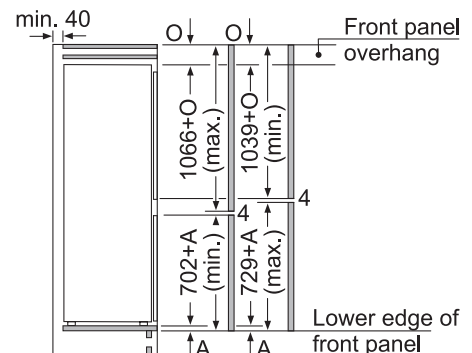
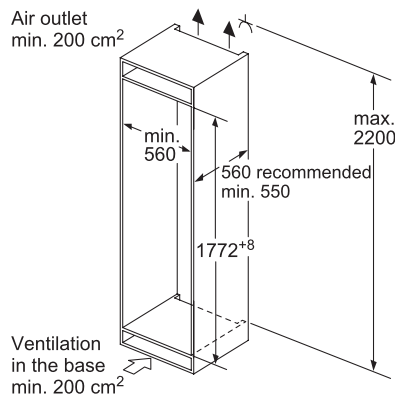
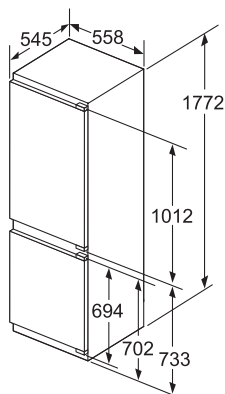


BOSCH

Invented for life



KIN86AF31K		\$24,800
Built-in 2-door refrigerator, bottom freezer		
Performance	<ul style="list-style-type: none"> Annual energy consumption: 223kWh per year Total net capacity: 254 litres Net fridge capacity: 187 litres Net freezer capacity: 67 litres Freezing capacity in 24 hours: 8kg Maximum freezer storage in power failure: 13 hours Noise level: 39dB Total connected load: 0.09kW (10A) VarioInverter 	
Key features	<ul style="list-style-type: none"> Frost free freezer Auto defrost function in fridge 2 temperature zones, each zone separately regulated and controlled 	
Additional features	<ul style="list-style-type: none"> Fridge compartment <ul style="list-style-type: none"> - 5 safety glass shelves, including 1 VarioShelf & 1 EasyAccess shelf - 1 VitaFresh plus drawer - 1 dairy compartment - 4 door bins - 3 egg racks - LED interior lights on both sides Freezer compartment <ul style="list-style-type: none"> - 3 pull out drawers including 1 BigBox - 1 ice cube tray - 2 ice packs - Freezing calendar 	
Functions	<ul style="list-style-type: none"> SuperCooling and SuperFreezing functions with automatic deactivation Special function: holiday mode Door open warning signal: acoustic Malfunction warning signal: visual, acoustic 	
Design	<ul style="list-style-type: none"> LED display and touch control Door right hinged, reversible Dimensions (H x W x D): 1,772 x 558 x 545 mm 	
Country of origin	<ul style="list-style-type: none"> Germany 	



The specified cabinetry door dimensions apply for a door gap of 4 mm.

Measurements in mm