



BOSCH

Invented for life



KAN92VI35 (Stainless Steel Look) Side-by-side refrigerator

\$14,800



Performance

- EU Energy Efficiency Class: A++ (389kWh per year)
- HK Energy label: Grade 1
- Total net capacity: 604 litres
- Net fridge capacity : 387 litres
- Net freezer capacity : 217 litres
- Freezing capacity in 24 hours : 12kg
- Maximum freezer storage time in power failure: 12 hours
- Noise level: 43dB
- Total connected load: 0.19kW (10A)
- VariolInverter

Key features

- Frost free freezer
- Auto defrost function in fridge
- Two separate cooling circuits allow independent temperature control
- MultiAirflow system
- LED illumination interior light

Additional features

- Fridge compartment
 - 4 safety glass shelves of which 3 are adjustable
 - 2 pull out drawers on extension rails, of which 1 VitaFresh drawer
 - 4 door bins
 - 1 dairy compartment
- Freezer compartment
 - 4 safety glass shelves of which 2 are adjustable
 - 2 pull out drawers on extension rail systems
 - 1 IceTwister Box
 - 5 door bins

Functions

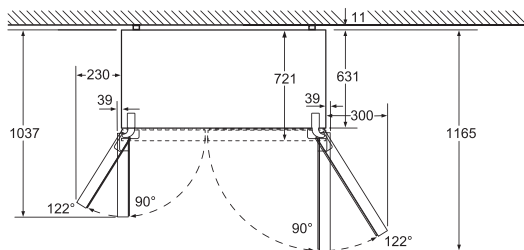
- SuperCooling and SuperFreezing functions with automatic deactivation
- Special functions: eco, fresh, holiday modes
- Door open warning signal: Optical and acoustical
- Malfunction warning signal: Optical and acoustical
- 4 wheels, 2 height adjustable front feet

Design

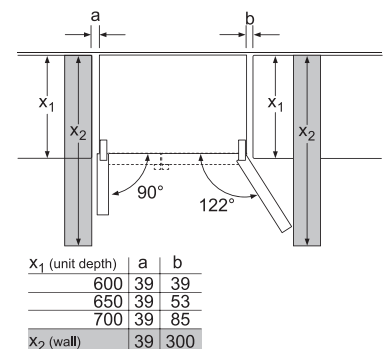
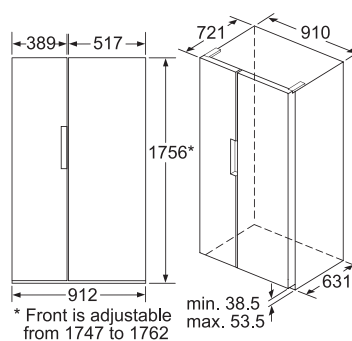
- Stainless steel look EasyClean door and chrome inox metallic panels
- Integrated vertical handle
- TouchControl temperature operation via easy-to-read sensor fields
- Dimensions (H x W x D): 1,756 x 912 x 732 mm

Country of origin

- China



Chilling drawers can be pulled out completely at a door opening angle of 122°
Please reserve 90mm ventilation space at the top



Measurements in mm

BSH Home Appliances Limited

Customer Care Hotline: 2626 9655 (Hong Kong) / 0800 863 (Macau local call only)

www.bosch-home.com.hk

• Specifications and technical information are subject to change.

• Right of technical modification reserved, colours may vary slightly from illustrations.

©2018 by BSH Home Appliances Limited. Reproduction, complete or in part, only with the express permission of BSH.