



BOSCH

Invented for life



KAI93VIFPG (Stainless Steel Look) Side-by-side refrigerator

\$18,800



Performance

- EU Energy Efficiency Class: A++ (343kWh per year)
- HK Energy label: Grade 1
- Total net capacity: 533 litres
- Net fridge capacity: 368 litres
- Net freezer capacity: 165 litres
- Freezing capacity in 24 hours: 13kg
- Maximum freezer storage in power failure: 8 hours
- Noise level: 42dB
- Total connected load: 0.24kW (13A)
- VariolInverter

Key features

- Frost free freezer
- Auto defrost function in fridge
- Separate temperature control
- MultiAirflow system
- LED illumination interior light

Additional features

- Fridge compartment
 - 5 safety glass shelves of which 1 is adjustable
 - 2 MultiBox drawers
 - 5 door bins
 - Egg tray
 - 4.5L water tank, easy to fill
- Freezer compartment
 - 5 safety glass shelves
 - 2 pull out drawers
 - 3 door bins
 - Automatic ice and water dispenser, 120pc ice cubes per day (ice cubes, crushed ice, water)

Functions

- SuperCooling and SuperFreezing functions with automatic deactivation
- Special functions: eco, holiday modes
- Door open warning signal: Optical and acoustical
- Malfunction warning signal: Optical and acoustical
- 4 wheels, 2 height adjustable front feet

Design

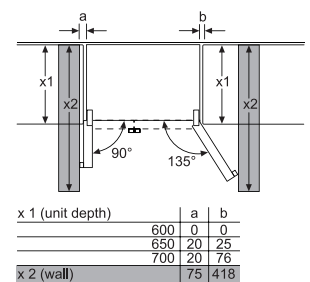
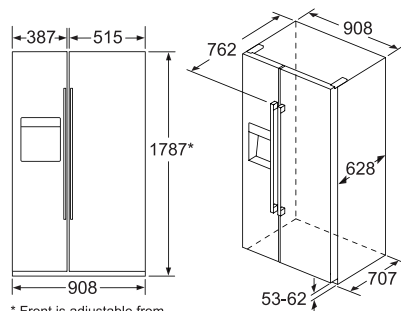
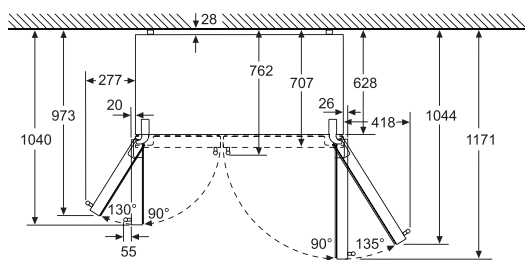
- Stainless steel look EasyClean door and chrome inox metallic panels
- Exterior TouchControl display panel
- Dimensions (H x W x D): 1,787 x 908 x 707 (762*)mm
- Please reserve an additional depth for ventilation purpose*

Country of origin

- China

* Include door handle.

* Depth includes 28mm spacer at the rear for ventilation. Recommended min. ventilation space for built-in installation, Top: 90mm, Sides: min. 25mm each. Door hinge should be placed outside the cabinet.



* For major domestic appliances. Source: Euromonitor, volume sales, 2019