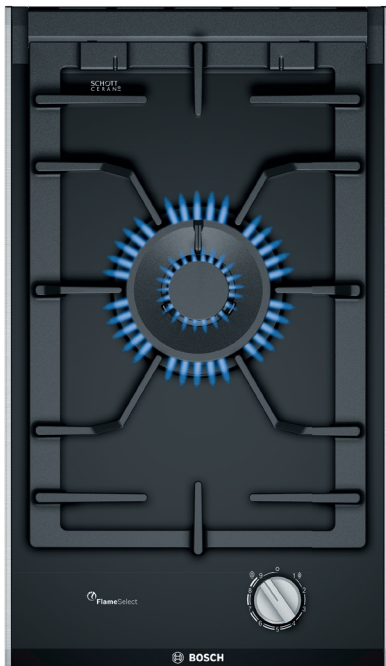


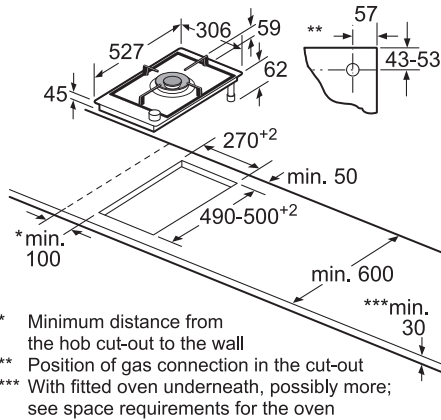


# BOSCH

Invented for life



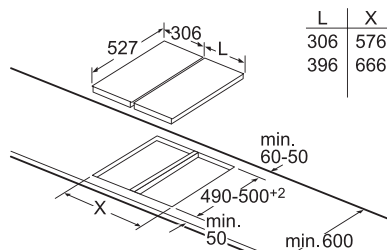
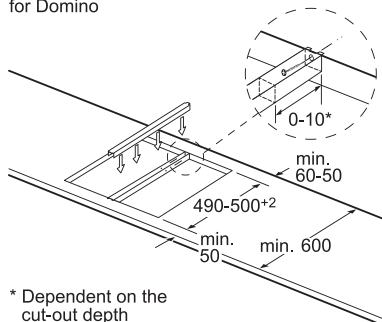
PRA3A6B70X Domino town gas wok burner		\$13,800
<b>Performance</b>	<ul style="list-style-type: none"> <li>FlameSelect: 9 precisely defined power levels</li> <li>1 dual circuit wok burner</li> <li>Individual control of inner and outer flame</li> <li>1 hand ignition with control knob</li> <li>Electrical spark ignition</li> <li>Dishwasher-safe pan support</li> </ul>	
<b>Design</b>	<ul style="list-style-type: none"> <li>SCHOTT CERAN® ceramic glass</li> <li>Sword knobs: for an ergonomic control</li> <li>Beveled front with side profiles</li> <li>Can be combined with all hobs in comfort design</li> </ul>	
<b>Safety function</b>	<ul style="list-style-type: none"> <li>Flame failure safety device</li> </ul>	
<b>Technical information</b>	<ul style="list-style-type: none"> <li>Preset of town gas</li> <li>Burner output: 5kW</li> <li>Total connected load: 1.1W (13A plug)</li> <li>Dimensions:               <ul style="list-style-type: none"> <li>- Appliance (H x W x D): 62* x 306 x 527 mm <small>*excl. glass thickness</small></li> <li>- Cut out (W x D): 270 x 490-500 mm</li> </ul> </li> </ul>	
<b>Supplied accessories</b>	<ul style="list-style-type: none"> <li>Dishwasher-safe cast iron wok ring support</li> <li>Dishwasher-safe cast iron pan support</li> </ul>	
<b>Optional accessory</b>	<ul style="list-style-type: none"> <li>Connection strip (HEZ394301 Price: \$900)</li> </ul>	
<b>Country of origin</b>	<ul style="list-style-type: none"> <li>Spain</li> </ul>	



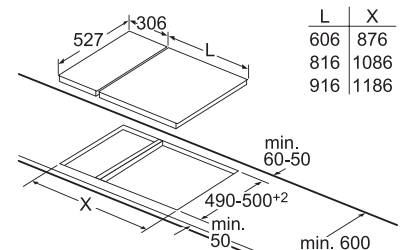
**Distance from the top of pan support to worktop is approximately 59mm**

### For installation of 2 or more domino appliances

Assembly kit (HEZ394301) for Domino



When installing two or more Domino units side-by-side, one or more assembly kits are required (2 units = 1 assembly kit, 3 units = 2 assembly kits, etc).



When installing a Domino unit right next to a hob, an assembly kit (HEZ394301) is required.

Measurements in mm