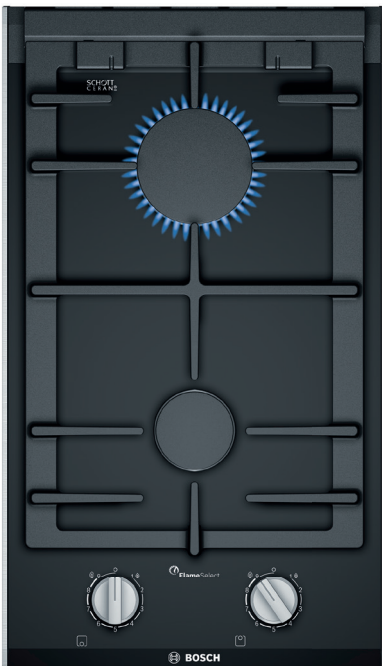


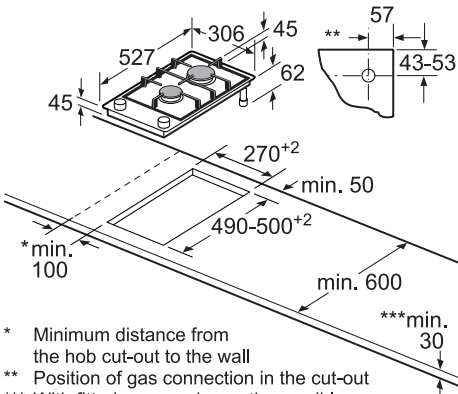


BOSCH

Invented for life



	PRB3A6B70X Domino town gas double burner	\$12,800								
Performance	<ul style="list-style-type: none"> FlameSelect: 9 precisely defined power levels 2 single circuit burners 1 hand ignition with control knob Electrical spark ignition 									
Design	<ul style="list-style-type: none"> SCHOTT CERAN® ceramic glass Sword knobs: for an ergonomic control Beveled front with side profiles Can be combined with all hobs in comfort design 									
Safety function	<ul style="list-style-type: none"> Flame failure safety device 									
Technical information	<ul style="list-style-type: none"> Preset of town gas Burner output <table border="1"> <thead> <tr> <th>Burner</th> <th>Output (kW)</th> </tr> </thead> <tbody> <tr> <td>Front - standard burner</td> <td>1.9</td> </tr> <tr> <td>Rear - rapid speed burner</td> <td>2.8</td> </tr> <tr> <td>Total</td> <td>4.7</td> </tr> </tbody> </table> <ul style="list-style-type: none"> Total connected load: 1.1W (13A plug) Dimensions: <ul style="list-style-type: none"> - Appliance (H x W x D): 62* x 306 x 527 mm *excl. glass thickness - Cut out (W x D): 270 x 490-500 mm 	Burner	Output (kW)	Front - standard burner	1.9	Rear - rapid speed burner	2.8	Total	4.7	
Burner	Output (kW)									
Front - standard burner	1.9									
Rear - rapid speed burner	2.8									
Total	4.7									
Supplied accessories	<ul style="list-style-type: none"> Dishwasher-safe cast iron pan support External Gas Governor 									
Optional accessory	<ul style="list-style-type: none"> Connection strip (HEZ394301 Price: \$900) 									
Country of origin	<ul style="list-style-type: none"> Spain 									

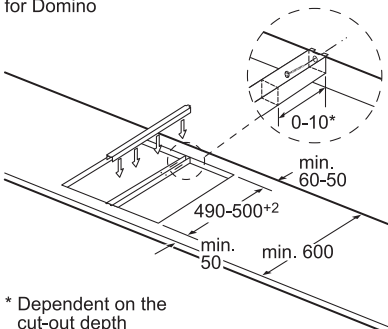


- * Minimum distance from the hob cut-out to the wall
- ** Position of gas connection in the cut-out
- *** With fitted oven underneath, possibly more; see space requirements for the oven

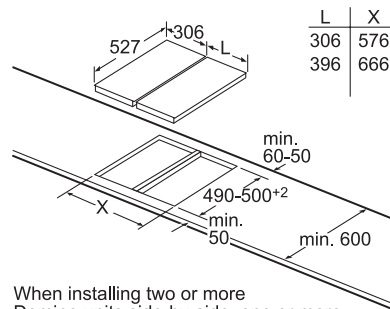
Distance from the top of pan support to worktop is approximately 45mm

For installation of 2 or more domino appliances

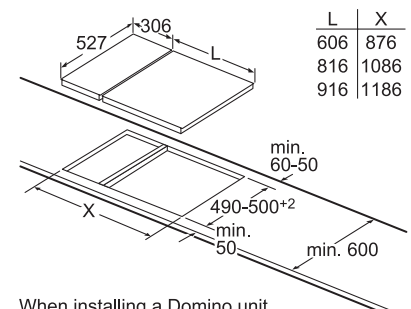
Assembly kit (HEZ394301) for Domino



* Dependent on the cut-out depth



When installing two or more Domino units side-by-side, one or more assembly kits are required (2 units = 1 assembly kit, 3 units = 2 assembly kits, etc).



When installing a Domino unit right next to a hob, an assembly kit (HEZ394301) is required.

Measurements in mm