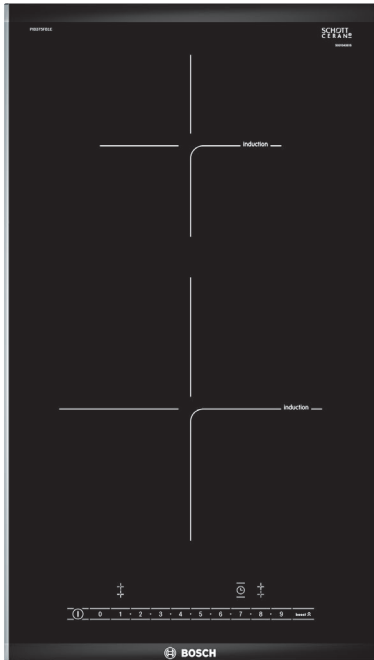




BOSCH

Invented for life



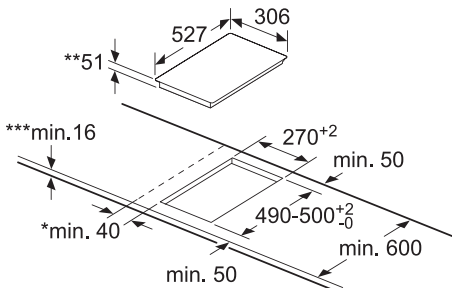
PIB375FB1E
Domino 2-zone Induction Hob

\$18,400



Performance	<ul style="list-style-type: none"> • 2 induction cooking zones • 17 stages of power setting • DirectSelect touch control 												
Functions	<ul style="list-style-type: none"> • QuickStart • ReStart 												
Features	<ul style="list-style-type: none"> • PowerBoost: Up to 50% more power for faster heating • Energy consumption display • Count-down timer for each zone • Kitchen timer • Count-up timer for each zone 												
Design	<ul style="list-style-type: none"> • SCHOTT CERAN® ceramic glass • ComfortProfil: Beveled front and rear with side profiles • Can be combined with all hobs in comfort design 												
Safety functions	<ul style="list-style-type: none"> • Digital 2-stage residual heat indicator for each zone • Main switch • Safety switch-off • Small cookware detection • Anti overflow protection • Childproof lock 												
Technical information	<ul style="list-style-type: none"> • Cooking zone output <table border="1"> <thead> <tr> <th>Zone</th> <th>Output (kW)</th> <th>Output without booster (kW)</th> <th>Dimensions (mm)</th> </tr> </thead> <tbody> <tr> <td>Front</td> <td>3.7</td> <td>2.2</td> <td>210</td> </tr> <tr> <td>Rear</td> <td>2.2</td> <td>1.4</td> <td>145</td> </tr> </tbody> </table> <ul style="list-style-type: none"> • Total connected load: 3.7kW* *Nominal connected load: 3.6kW (220V/20A single phase connection) • Dimensions: <ul style="list-style-type: none"> - Appliance (H x W x D): 51* x 306 x 527 mm *excl. glass thickness - Cut out (W x D): 270 x 490-500 mm 	Zone	Output (kW)	Output without booster (kW)	Dimensions (mm)	Front	3.7	2.2	210	Rear	2.2	1.4	145
Zone	Output (kW)	Output without booster (kW)	Dimensions (mm)										
Front	3.7	2.2	210										
Rear	2.2	1.4	145										
Optional accessory	<ul style="list-style-type: none"> • Connection strip (HEZ394301 Price: \$900) 												
Country of origin	<ul style="list-style-type: none"> • Spain 												

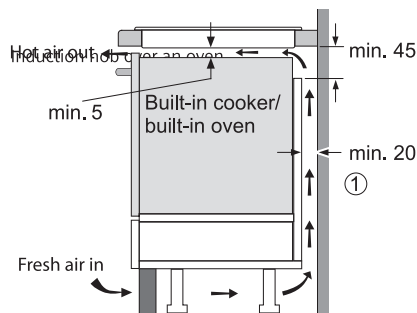
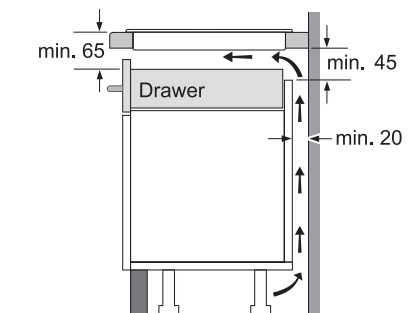
* Indent Order



* Minimum distance from the hob cut-out to the wall.
 ** Recessed depth

*** The clearance between the surface of the worktop and the top of the front of the oven must be 30 mm. See space requirements for the oven.

Induction hob over a drawer



① Ventilation gap must be present

Measurements in mm