



BOSCH

Invented for life

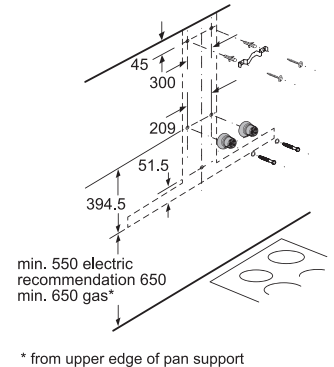
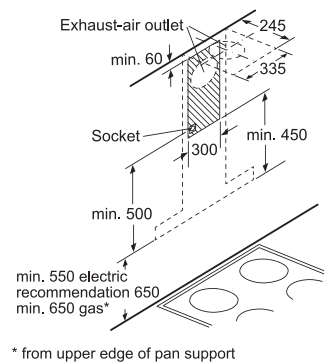
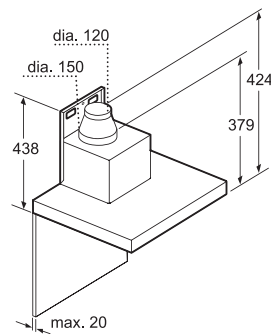
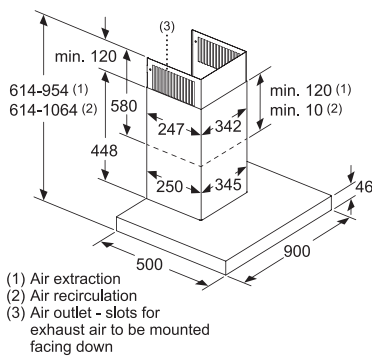


DWB97CM50B
90cm wall mounted chimney hood

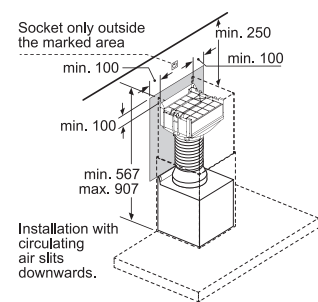
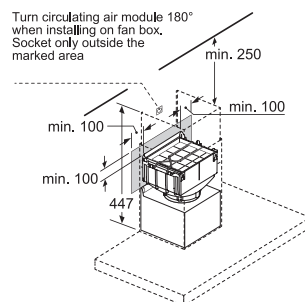
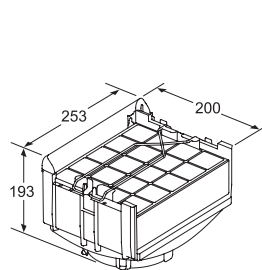
\$10,800



Performance	<ul style="list-style-type: none"> • Suitable for exhaust or re-circulated air operation • 3 speeds plus intensive settings • EcoSilence Drive™ technology
Functions	<ul style="list-style-type: none"> • Electronic Touch Control • 3 x 1.5W LED lights
Feature	<ul style="list-style-type: none"> • Automatically switches back from intensive to normal setting
Design	<ul style="list-style-type: none"> • Box slimline design
Technical information	<ul style="list-style-type: none"> • Extraction capacity: 721m³/h (EN 61591) • 120 or 150mm diameter pipe • Total connected load: 0.145kW (13A) • Appliance dimensions (H x W x D): Exhaust: 614-954 x 900 x 500 mm Recirculate: 614-1,064 x 900 x 500 mm
Supplied accessory	<ul style="list-style-type: none"> • 3 dishwasher-safe metal grease filters
Optional accessories	<ul style="list-style-type: none"> • Charcoal recirculating kit (DHZ5345 Price: \$800) • Charcoal filter for DHZ5345 (DHZ5346 Price: \$300) • Integrated CleanAir recirculation kit (DWZ0XX0J5 Price: \$2,500) • CleanAir regenerative charcoal filter for DWZ0XX0J5* (DZZ0XX0P0 Price: \$1,600) <p>* Maximum 10 years lifespan: the regenerative filter can be generated up to 30 times, regeneration should be carried out in an oven at 200°C every 4 months with normal daily use of approximately 1 hour.</p>
Country of origin	<ul style="list-style-type: none"> • Germany



Installation with integrated cleanAir Recirculation Kit



Measurements in mm