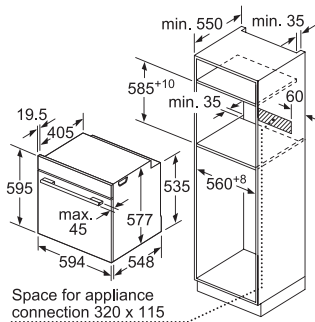


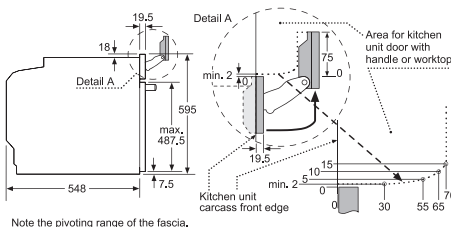
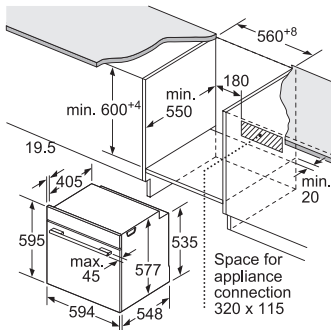
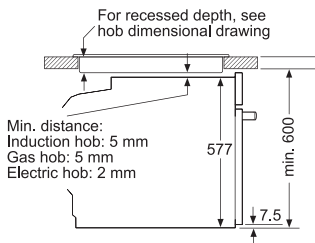


BOSCH

Invented for life



Installation with a hob.



HSG656RS1

\$44,800

60cm built-in combination steam oven



Performance

- 12 cooking methods:
 - 4D HotAir
 - HotAir Eco
 - Hot air grilling
 - Top and bottom heating
 - Top and bottom heating eco
 - Bottom heating
 - Grill – small area
 - Grill – large area
 - Pizza setting
 - Slow cooking
 - Plate warming
 - Keep warm
- 4 steam methods:
 - Steam
 - Defrost
 - Reheat
 - Dough proving
- Energy efficiency class: A+

Functions

- Assist function - automatic cooking programmes
- EcoClean Direct panel at ceiling, back and side walls
- Self-cleaning function
- Descaling programme
- Drying function
- PerfectRoast meatprobe
- PerfectBake sensor

Features

- Rapid heat function
- Electronic touch with ring control
- High definition color TFT with graphic display
- Digital temperature display
- SoftOpen and SoftClose door
- Triple glass door (40°C door temperature)*
- LED light at cavity ceiling
- Sabbath setting

Design

- 5 shelf levels with 1 level full extension telescopic rail
- Door hinge: Bottom

Safety functions

- Childproof lock
- Integral cooling fan
- Safety switch off function
- Residual heat indicator
- Door contact switch
- Water tank empty indicator

Technical information

- Total connected load: 3.6kW (20A single-phase connection)
- Capacity: 71L
- Water tank capacity: 1L
- Heating temperature: Steam 30°C – 100°C
Hot air 30°C – 250°C
Hot air + steam 30°C – 250°C
- Dimensions (H x W x D):
 - Appliance: 595 x 594 x 548 mm
 - Cavity: 355 x 480 x 415 mm

Supplied accessories

- 1 large steam container (perforated)
- 1 small steam container (perforated)
- 1 small steam container (solid)
- 1 enamel baking tray
- 1 grid
- 1 universal pan

Country of origin

- Germany

If the appliance will be installed underneath a hob, the following worktop thicknesses (including substructure if necessary) must be taken into account.

Hob type	min. worktop thickness	
	flush	flush
Induction hob	37 mm	38 mm
Full surface Induction hob	47 mm	48 mm
Gas hob	30 mm	38 mm
Electric hob	27 mm	30 mm

* Measured at the middle of the window at 180°C oven temperature, after 1 hour on top and bottom heat.

Measurements in mm