



BOSCH

Invented for life



HSG636BB1 (Volcano Black) 60cm built-in combination steam oven - colorglass	\$38,800
---------------------------------------------------------------------------------------	-----------------



Performance	<ul style="list-style-type: none"> • 12 cooking methods: <ul style="list-style-type: none"> - 4D HotAir - HotAir Eco - Hot air grilling - Top and bottom heating - Top and bottom heating eco - Bottom heating • 4 steam methods: <ul style="list-style-type: none"> - Steam - Defrost • Energy efficiency class: A+
--------------------	-------------------------------------------------------------------------------------------------------------------------------------------------------------------------------------------------------------------------------------------------------------------------------------------------------------------------------------------------------------------------------------------------------------------------------------------------------------------------

Functions	<ul style="list-style-type: none"> • Assist function - automatic cooking programmes • EcoClean Direct panel at back wall • Descaling programme • Drying function
------------------	------------------------------------------------------------------------------------------------------------------------------------------------------------------------------------------------------------

Features	<ul style="list-style-type: none"> • Rapid heat function • Electronic touch with ring control • High definition color TFT with graphic display • Digital temperature display • SoftOpen and SoftClose door • Triple glass door (40°C door temperature)* • LED light at cavity ceiling • Sabbath setting
-----------------	---------------------------------------------------------------------------------------------------------------------------------------------------------------------------------------------------------------------------------------------------------------------------------------------------------------------------------------------------------------------------------------

Design	<ul style="list-style-type: none"> • 5 shelf levels • Door hinge: Bottom
---------------	--------------------------------------------------------------------------------------------------

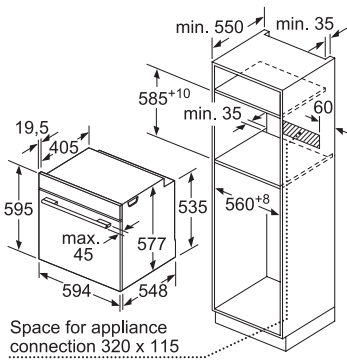
Safety functions	<ul style="list-style-type: none"> • Childproof lock • Integral cooling fan • Safety switch off function • Residual heat indicator • Door contact switch • Water tank empty indicator
-------------------------	---------------------------------------------------------------------------------------------------------------------------------------------------------------------------------------------------------------------------------------------------

Technical information	<ul style="list-style-type: none"> • Total connected load: 3.6kW (20A single-phase connection) • Capacity: 71L • Water tank capacity: 1L • Heating temperature: Steam 30°C – 100°C Hot air 30°C – 250°C Hot air + steam 30°C – 250°C • Dimensions (H x W x D): <ul style="list-style-type: none"> - Appliance: 595 x 594 x 548 mm - Cavity: 355 x 480 x 415 mm
------------------------------	------------------------------------------------------------------------------------------------------------------------------------------------------------------------------------------------------------------------------------------------------------------------------------------------------------------------------------------------------------------------------------------------------------------------------------------------------------------

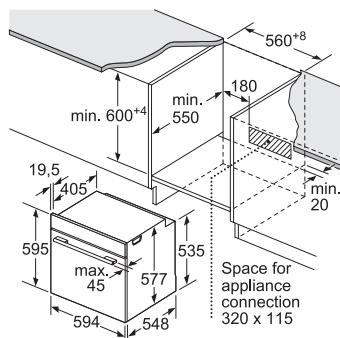
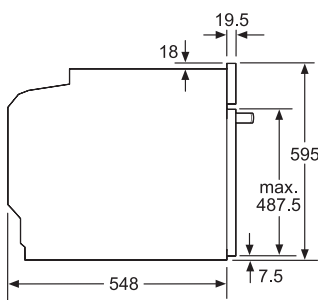
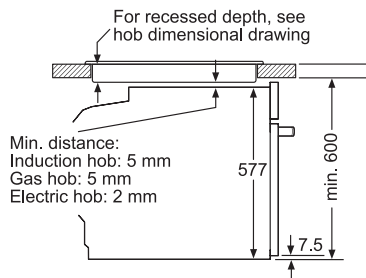
Supplied accessories	<ul style="list-style-type: none"> • 1 large steam container (perforated) • 1 small steam container (perforated) • 1 small steam container (solid) • 1 enamel baking tray • 1 grid • 1 universal pan
-----------------------------	------------------------------------------------------------------------------------------------------------------------------------------------------------------------------------------------------------------------------------------------------------------

Country of origin	<ul style="list-style-type: none"> • Germany
--------------------------	-------------------------------------------------------------

* Measured at the middle of the window at 180°C oven temperature, after 1 hour on top and bottom heat.



Installation with a hob.



If the appliance will be installed underneath a hob, the following worktop thicknesses (including substructure if necessary) must be taken into account.

Hob type	min. worktop thickness	
	fitted	flush
Induction hob	37 mm	38 mm
Full surface Induction hob	47 mm	48 mm
Gas hob	30 mm	38 mm
Electric hob	27 mm	30 mm

Measurements in mm