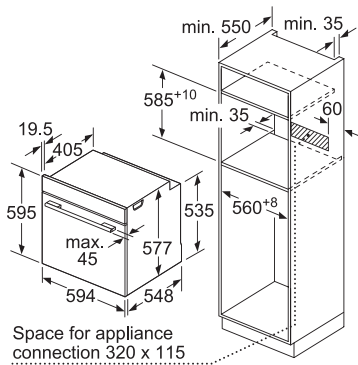


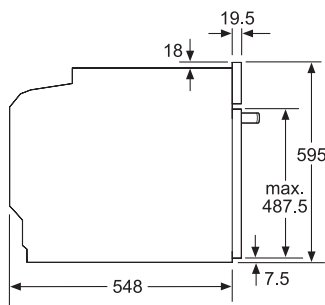
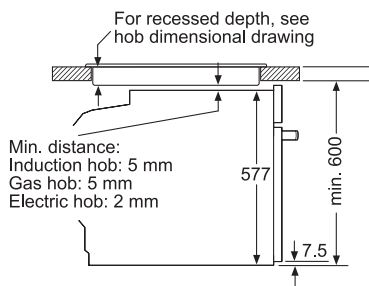


BOSCH

Invented for life

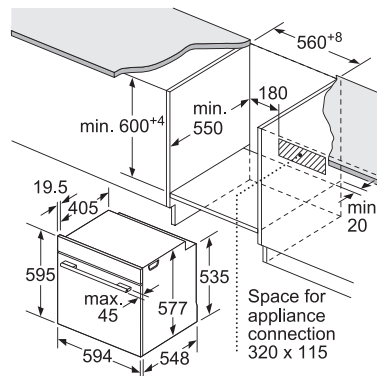


Installation with a hob.



	HBG633BS1 60cm built-in oven	\$15,800
Performance	<ul style="list-style-type: none"> 10 cooking methods: <ul style="list-style-type: none"> - 4D HotAir - HotAir Eco - Hot air grilling - Top and bottom heating - Top and bottom heating eco - Bottom heating - Grill – small area - Grill – large area - Pizza setting - Defrost 	
Function	<ul style="list-style-type: none"> EcoClean Direct panel at back wall 	
Features	<ul style="list-style-type: none"> Rapid heat function Electronic touch with ring control High definition color TFT clear text display Digital temperature display SoftOpen and SoftClose door Triple glass door (40°C door temperature)* Interior lighting Sabbath setting 	
Design	<ul style="list-style-type: none"> Enamel oven interior 5 shelf levels Door hinge: Bottom 	
Safety functions	<ul style="list-style-type: none"> Childproof lock Integral cooling fan Safety switch off function Residual heat indicator Door contact switch 	
Technical information	<ul style="list-style-type: none"> Total connected load: 3.6kW (20A single-phase connection) Capacity: 71L Heating temperature: 30°C – 300°C Dimensions (H x W x D): <ul style="list-style-type: none"> - Appliance: 595 x 594 x 548 mm - Cavity: 357 x 480 x 415 mm 	
Supplied accessories	<ul style="list-style-type: none"> 1 combination grid 1 universal pan 	
Country of origin	<ul style="list-style-type: none"> Germany 	

* Measured at the middle of the window at 180°C oven temperature, after 1 hour on top and bottom heat.



If the appliance will be installed underneath a hob, the following worktop thicknesses (including substructure if necessary) must be taken into account.

Hob type	min. worktop thickness	
	fitted	flush
Induction hob	37 mm	38 mm
Full surface Induction hob	47 mm	48 mm
Gas hob	30 mm	38 mm
Electric hob	27 mm	30 mm

Measurements in mm