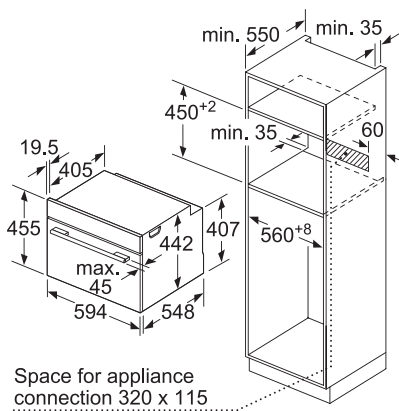


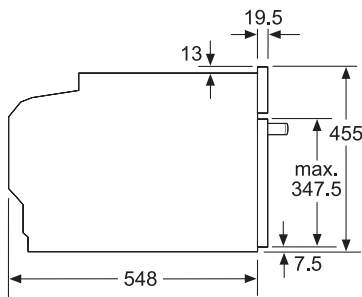
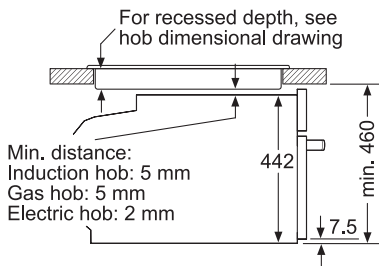


# BOSCH

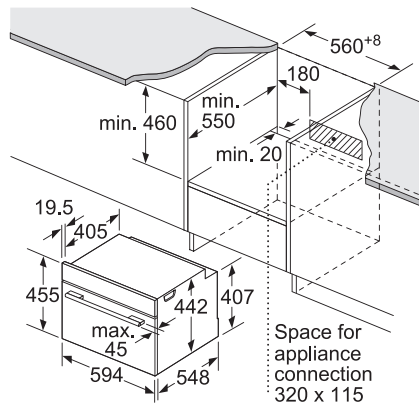
Invented for life



Installation with a hob.



	<b>CDG634AS0</b> 45cm built-in steam oven	<b>\$26,800</b>
<b>Performance</b>	<ul style="list-style-type: none"> <li>4 heating methods:               <ul style="list-style-type: none"> <li>- Steam</li> <li>- Defrost</li> <li>- Reheat</li> <li>- Dough proving</li> </ul> </li> </ul>	
<b>Functions</b>	<ul style="list-style-type: none"> <li>AutoPilot programmes (20 automatic programmes)</li> <li>Descaling programme</li> </ul>	
<b>Features</b>	<ul style="list-style-type: none"> <li>Electronic touch with ring control</li> <li>High definition color TFT clear text display</li> <li>Digital temperature display</li> <li>SoftOpen and SoftClose door</li> <li>Double glass door (40°C door temperature)</li> <li>Interior lighting</li> </ul>	
<b>Design</b>	<ul style="list-style-type: none"> <li>Ribbed stainless steel cavity</li> <li>3 shelf levels</li> <li>Door hinge: Bottom</li> </ul>	
<b>Safety functions</b>	<ul style="list-style-type: none"> <li>Childproof lock</li> <li>Integral cooling fan</li> <li>Safety switch off function</li> <li>Door contact switch</li> <li>Water tank empty indicator</li> </ul>	
<b>Technical information</b>	<ul style="list-style-type: none"> <li>Total connected load: 1.75kW (13A)</li> <li>Capacity: 38L</li> <li>Water tank capacity: 1.3L</li> <li>Heating temperature: Steam 30°C – 100°C</li> <li>Dimensions (H x W x D):               <ul style="list-style-type: none"> <li>- Appliance: 455 x 594 x 548 mm</li> <li>- Cavity: 265 x 325 x 439 mm</li> </ul> </li> </ul>	
<b>Supplied accessories</b>	<ul style="list-style-type: none"> <li>1 large steam container (solid)</li> <li>1 large steam container (perforated)</li> <li>1 sponge</li> </ul>	
<b>Country of origin</b>	<ul style="list-style-type: none"> <li>France</li> </ul>	



If the compact appliance will be installed underneath a hob, the following worktop thicknesses (including substructure if necessary) must be taken into account.

Hob type	min. worktop thickness	
	fitted	flush
Induction hob	42 mm	43 mm
Full surface Induction hob	52 mm	53 mm
Gas hob	32 mm	43 mm
Electric hob	32 mm	35 mm

Measurements in mm