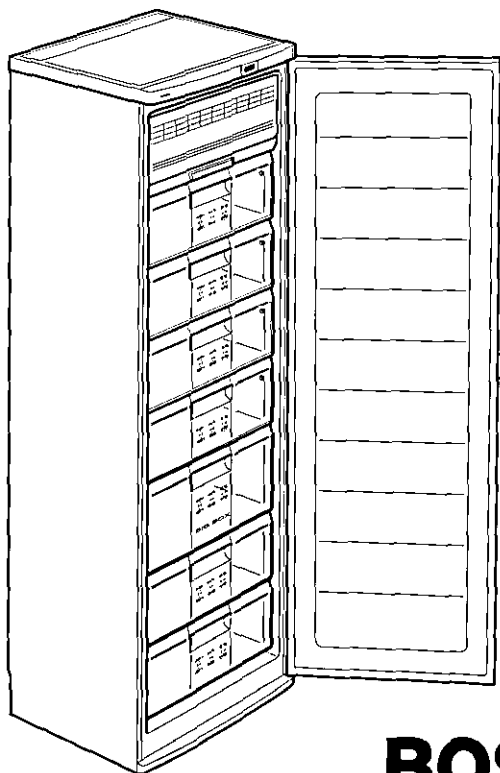


# BOSCH

GB Operating Instructions

DE Gebrauchsanweisung



1709 988 180 (7910)



**BOSCH**

---

## GB Index

General safety instructions .....	3	Clean the appliance .....	10
Your new appliance .....	4	Conserving energy .....	10
Connecting and switching on the appliance and setting the temperature .....	6	Operating noises .....	11
Freezing and storing frozen food. ....	7	Eliminating minor faults yourself .....	12
Switching off and disconnecting the appliance .....	10	Customer service .....	13

---

## DE Inhaltsverzeichnis

Hinweise zur Entsorgung .....	14	Gerät ausschalten und stilllegen .....	20
Allgemeine Sicherheitshinweise .....	14	Energie sparen .....	21
<i>Ihr neues Gerät</i> .....	15	<i>Betriebsgeräusche</i> .....	21
Gerät anschließen, einschalten, Temperatur einstellen .....	17	Kleine Störungen selbst beheben .....	22
Gefrieren und Lagern .....	18	Kundendienst .....	23

Please read and comply with these Operating instructions and all other enclosed information.

Keep all documentation in a safe place for subsequent use or for the next owner of the appliance.

---

## Instructions on appliance disposal

### Disposal of your old appliance

When replacing your old appliance with a new one, please comply with the following:

Old appliances are not worthless rubbish. Valuable raw materials can be reclaimed by recycling old appliances.

Render your old appliance unusable:

1. Pull out the mains plug,
2. Cut off the power cord and discard with mains plug,
3. **To prevent children from locking themselves in the refrigerator and suffocating, REMOVE THE LOCK.**

Professional disposal is required for refrigerants in refrigeration appliances and gases contained in the insulation. Ensure that refrigeration tubing and coils are not damaged or punctured prior to their proper disposal.

## Disposal of packaging

**Warning:**

**Keep children away from the shipping carton and packaging components. Danger of suffocation from folding cartons and plastic film.**

You received your new appliance in a protective shipping carton. All packaging materials are environmentally friendly and recyclable. Please contribute to a better environment by disposing of packaging materials in an environmentally-friendly manner.

Please ask your dealer or inquire at your local authority about current means of disposal.

---

## General safety instructions

This appliance is designed

- for domestic use,
- for the freezing of food,

If the appliance is to be used commercially, comply with the currently valid regulations.

**Warning**

The appliance must be installed and connected correctly. See separate Installation instructions.

Do NOT switch on a damaged appliance.  
Inform the supplier.

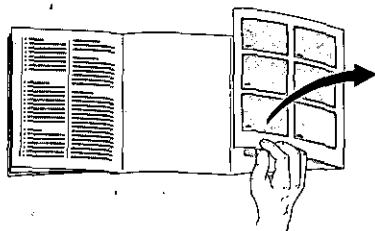
### Risk of injury

Do NOT damage the refrigeration tubing.  
Leaking refrigerant may cause eye injuries  
and is flammable.

### In an emergency

- Wash eyes and call a doctor.
- Keep ignition sparks and naked flames away from the appliance.
- Pull out the mains plug and ventilate the room thoroughly for several minutes.

## Your new appliance



Certain details, in particular appliance features, may vary depending on the appliance model.

### Fig 1

1-7 Fascia

- 8 Refreezable ice packs\*
- 9 Freezer tray\*
- 10 Freezer compartment flap\*
- 11 Frozen-food baskets (small)
- 12 Frozen-food basket (large)\*
- 13 Frozen-food calendar\*
- 14 Base panel
- 15 Threaded feet
- A No-frost system

\*not all models

## Climatic classes – permitted ambient temperature

The climatic class can be found on the rating plate and specifies the ambient temperatures at which the appliance may be operated.

Climatic class	Permitted ambient temperature
SN	+10 °C to 32 °C
N	+16 °C to 32 °C
ST	+18 °C to 38 °C
T	+18 °C to 43 °C

## Ventilation

### Figure 3

The air at the back of the appliance will heat up. This warm air must be allowed to freely escape, otherwise the refrigerating machine must perform more. This raises electricity consumption. Hence, the air-inlet and outlet apertures should never be covered or blocked off!

## Fascia

### Fig. 2

#### 1 Main switch On/Off

Main switch on appliance switches the whole appliance on and off.

#### 2 Temperature display

(displays 3 different temperatures)

#### a) Current temperature in freezer compartment

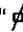
The current temperature in the freezer compartment is displayed here, without any buttons having been pressed.

### b) Temperature selection for freezer compartment

When selection button 5 is pressed, the temperature selection is displayed for five sec. Then the "current temperature in the freezer compartment" is redisplayed.

### c) "Warmest temperature" in the freezer compartment

If Display 2 flashes, the freezer compartment became too warm due to a power failure or a malfunction.

When the "" is pressed, the warmest temperature reached in the freezer compartment is indicated on Display 2 for five sec.

This value is then cleared – Display 2 then indicates the "current temperature in the freezer compartment" without flashing.

Henceforth the "warmest temperature" will be redefined and stored.

### 3 The "Alarm" display

**illuminates** and the warning tone sounds simultaneously, when it becomes too warm in the freezer compartment.

This **extinguishes** when the freezer compartment has reached its operation temperature.

### 4 "fast freeze" display

Illuminates only when "fast freeze" is on.

### 5 "-Temperature selection button

#### a) Setting the temperature in the freezer compartment

Press  button 5.

The preset temperature is displayed for 5 seconds in display 2.

Press the selection button repeatedly or continuously until the desired temperature is displayed. The value last selected is stored. (The temperature selection is displayed consecutively from  $-18^{\circ}\text{C}$  to  $-26^{\circ}\text{C}$ .  $-18^{\circ}\text{C}$  is redisplayed after  $-26^{\circ}\text{C}$ ).

### 6 "fast freeze" button

Switches "fast freeze" on and off.

"Fast freeze" display 4 indicates that "fast freeze" is on. "Fast freeze" freezes large quantities of fresh food and, depending on the quantity, should be switched on up **24 hours before** the fresh food is in the freezer compartment.

After being switched on, the refrigerating unit runs constantly and the freezer compartment drops to a very low temperature.

**"Fast freeze" switches off automatically when the fresh food has frozen solid (after several hours for small quantities of food, after no more than two days for large quantities of food).**

**If you forgot to put the food in the freezer compartment, "fast freeze" switches off after approx. 26 hours.**

### 7 "" button

**is used to cancel the flashing of display 2, to cancel the temperature and door warning tones and to recall the "highest temperature" which was reached in the freezer compartment.**

The **door warning tone** activates if the appliance door has been open for longer than half a minute.

The **temperature warning tone** activates and display 2 flashes, if it becomes too warm in the freezer compartment, i.e. the frozen food is in danger of spoiling. The "Highest temperature" reached in the freezer compartment is simultaneous recorded.

The warning tone may sound and the display flash without there being any danger to the frozen food:

- when the appliance is switched on for the first time.
- when large quantities of fresh food are placed in the appliance.
- if the freezer compartment door is open for too long.

After button 7 has been pressed, the warning tone is cancelled and display 2 stops flashing. At the same time, the "highest temperature" reached is shown for 5 seconds in display 2.

---

## Connecting and switching on the appliance and setting the temperature

Clean the interior of the appliance before operating it for the first time (refer to Cleaning).

### Switching on the appliance

The mains socket should be easily accessible. Connect the appliance to a 220–240 V/50 Hz AC mains supply at a correctly installed socket. The socket must be equipped with a fuse protection rated 10 A or higher.

If the appliance is intended for use in a non-European country, care must be taken that the voltage and current types specified on the nameplate correspond to the values of the respective mains network. The nameplate is in the appliance at the bottom left. The mains extension circuit should be replaced by a qualified technician, should this be necessary.

### Warning!

The appliance may not, under any circumstances, be connected to electronic energy-saving plugs (e.g. Ecoboy; Sava Plug) and to power inverters which convert direct current to 230 V alternating current (e.g. solar energy systems, power networks on ships).

## Switching on the appliance

### Fig. 2

- **Press the appliance main switch 1.**  
The warning tone sounds and display 2 flashes. "Alarm" display 3 illuminates.
- **Press the  $\text{off}$  button.** The warning tone is cancelled.  
Display 2 stops flashing.  
At temperatures greater than 19 °C, "—" is displayed.  
Only at lower temperatures are the values displayed with "°C".
- **The appliance left the factory with the following standard settings:**  
Temperature in freezer compartment: -18 °C.
- **The preset values may be altered;** refer to the description for button 5.

### Notes:

- When the freezer compartment has reached its operating temperature, the "Alarm" display 3 extinguishes.
- **With the fully automatic No-frost system the freezer compartment remains ice-free. Defrosting is no longer necessary.**
- The end sides of the housing are sometimes moderately heated. This prevents condensation from forming around the door seal.

## Freezing and storing frozen food.

### Risk of injury

Do NOT touch frozen food with wet hands. Your hands could stick to the frozen food.

### Freezer burns

Due to the very low temperature do NOT put ice directly from the freezer compartment into your mouth.

### Warning

Do NOT freeze canned or bottled drinks or carbonated beverages – bottles and tins will explode.

Do NOT refreeze thawing or thawed food. First cook the food and then refreeze if required.

## Buying frozen food

The packaging must not be damaged.

Note the sell-by date.

The temperature in the supermarket freezer should be  $-18^{\circ}\text{C}$  or lower.

Transport the frozen food in an insulating bag, where possible and put it quickly into the freezer compartment.

## Freezing food

When freezing food yourself, choose only fresh, flawless food for this purpose.

### Suitable for freezing are:

meat and sausages, poultry and venison, fish, vegetables, herbs, fruit, pastries, pizza, oven-ready meals, leftovers, egg yolk and egg white.

### Unsuitable for freezing are:

whole eggs in shells, sour cream and mayonnaise, lettuce, radishes and onions.

### Blanching of vegetables and fruit

So that the colour, taste, aroma and vitamin C content are retained, vegetables and fruit should be blanched before being frozen.

Submerge vegetables and fruit briefly in boiling water to blanch them.

You may wish to look in a book store for reference books on freezing food, which also contain descriptions of blanching.

## Packing the food

Pack the food in separate portions which suit the day-to-day needs of your household. Divide vegetables and fruit into portions no heavier than 1 kg and meat into portions up to 2.5 kg. Smaller portions freeze more quickly and retain their quality better during defrosting and cooking.

To retain the flavour and prevent the food from drying out, wrap the food airtight.

### Suitable for packing are:

plastic film, polythene tube-film, aluminium foil and freezer tins. These products can be bought at a specialist outlet.

### Unsuitable are:

wrapping paper, greaseproof paper, cellophane, refuse bags and used shopping bags.

Place the food in the wrapping, squeeze out all air and seal the wrapping well.

#### **Suitable for sealing are:**

elastic bands, plastic clips, string, cold-resistant tape or such like. Bags and tubefilm of polythene may be sealed with a film sealer.

Before placing the food in the freezer compartment, mark each freezer packet with the contents and the date on which it was inserted.

Allow hot food and drinks to cool to room temperature before placing them in the freezer compartment.

### **Fast freeze**

Several hours before placing fresh food in the freezer compartment, switch on "fast freeze".

4–6 hours is usually adequate. If the max. freezing capacity is used, 24 hours are required. Smaller quantities of food (up to 2 kg) can be frozen without "Fast freeze". To switch on "Fast freeze", simply press the "Fast freeze" button Fig. 2/6.

### **Max. freezer capacity**

Food should be frozen right through as quickly as possible. Only in this way are vitamins, nutritional values, appearance and taste retained. Therefore, you should not exceed the maximum freezing capacity of your appliance. The following quantities of food may be frozen at any one time depending on the appliance type.

**GSU 23../GS23U.. 20 kg/24h**

### **Arranging food in the appliance**

Freeze the larger portions of food in the compartments which have flaps. These freeze particularly quickly and thus mildly, in this way. (To open, lift the flap and tilt forward, Fig. 5/A). Lay the food flat in the compartments and / or frozen-food baskets.

Food which is already frozen should not come into contact with food which has yet to freeze. Arrange instead the already frozen food in the frozen-food baskets.

**The lowest flap with the "support cords" Fig. 5/B** can be used as a temporary storage space during loading and unloading of food (not on every model).

**Use the large frozen-food basket Fig. 11/12** preferentially for the freezing and storage of larger food items e.g. turkeys, ducks and geese etc.

#### **Notes**

- The temperature display will show a rise in temperature when fresh food is being frozen in the upper compartments. In certain cases, the warning function may be activated. This does not mean that the already frozen food is in danger. In 24 hours at most, the temperature display will show the preset temperature again.
- Always ensure that all freezer drawers have been fully inserted as far as the end stop. This is important for uninhibited air circulation within the appliance!

- To prevent the food from thawing quickly in the event of a power failure or malfunction, place the refreezable ice packs from the freezer tray directly on the food Fig. 8/11.

## Frozen-food calendar

Fig. 7 not all models

To avoid the quality of the frozen food being diminished, it is important that the allowable storage duration is not exceeded. The storage duration depends on the type of the frozen food. The values next to the symbols represent the permissible storage duration for the respective frozen food in months. In the case of oven-ready frozen meals which are available in stores, the production date or the "Best Before" date should be observed.

## Ice packs

Fig. 8/11

(Not supplied with all models; when supplied, quantity varies).

In the event of a power failure or malfunction, the refreezable ice packs delay the thawing of the frozen food being stored. This is most effectively achieved, and energy consumption is minimized, by placing the refreezable ice packs in the top compartment directly on the food. The refreezable ice packs can also be used to temporarily keep food cool, e.g. in a cooling bag.

## Freezer tray

Fig. 8/12

The freezer tray is suitable for storing the refreezable ice packs and also for freezing berries, pieces of fruit, herbs and vegetables individually. For these purposes, remove the refreezable ice packs, distribute the food evenly on the freezer tray and allow to freeze for approx. 10–12 hours, and then place the food in freezer bags or containers. To thaw the food, distribute the individual pieces evenly, as before.

## Separating plate for reducing the freezing compartment

Fig. 9, 10

(Available as a retrofitting at specialist outlets)

For smaller loads, energy can be saved by using the separating plate.

---

## Switching off and disconnecting the appliance

### Switching off the appliance

Press the main switch Fig. 2/1.

### Disconnecting the appliance

If the appliance is not to be used for a prolonged period:

1. Pull out the mains plug
2. Clean the appliance
3. Leave the appliance door open.

---

## Clean the appliance

This is advisable twice annually.

### Risk of electric shock

NEVER use a steam cleaner. If live components come into contact with condensing steam, they may short-circuit or cause an electric shock.

- Pull out the mains plug or trip the fuse.
- Remove the frozen food and place in a cold location.
- Clean with water and a little detergent.

### Warning

Clean the door seal with water only and dry thoroughly.

No water should be allowed into the control panel during cleaning.

Do NOT use abrasive or acidic cleaning agents or solvents.

---

## Conserving energy

- The appliance should be installed in a dry, well ventilated room, but not exposed to direct sunlight and not placed near a heat source (e.g. a radiator, cooker). If installation next to a heat source is unavoidable, use a suitable insulating plate.
- Allow warm food and drinks to cool outside the appliance.
- To thaw frozen food, place it in the refrigerator. You can thus use the thawing process to cool other food.
- Open the appliance door as briefly as possible.

---

## Operating noises

Operating noises are quite normal.

**Humming noise** – refrigerating unit is running.

**Bubbling, whirring or gurgling noises** – refrigerant is flowing through the refrigeration tubing.

**Clicking noise** – motor is switching on or off.

**Should the function-dependent noises be too loud, this may be the result of simple causes, which are often easily rectified.**

### **The appliance is not standing level**

Please use a spirit-level to ensure that the appliance is standing level. Adjust the threaded feet or place something underneath to bring the appliance level.

### **The appliance is crowded**

Please leave clearance between the appliance and surrounding furniture or appliances.

### **Drawers, baskets or storage surfaces are unsteady or stick**

Please check that the removable parts are correctly in position and reinsert if necessary.

### **The containers are touching**

Place the bottles or containers a little apart.

## Eliminating minor faults yourself

### Risk of electric shock

Repairs may be performed by customer service or authorised technicians only.

Before calling customer service, please consult the following checklist to see if you can eliminate the fault yourself.

If a repair is necessary or if you are unable to eliminate a fault yourself with the aid of the following information:

- Switch off the appliance or trip the fuse.
- Do not open the appliance door unnecessarily.

Fault	Possible cause	Remedial action
None of the displays illuminate.	Power failure; fuse has tripped; mains plug not inserted properly.	Check that the power is on; fuse must be reset.
The display shows "E 2".	The electronics are defective.	Call Customer service.
If the display flashes, Fig. 2/2.	The freezer compartment became too warm due to a power failure or malfunction.	When the button, Fig. 2/7, is pressed, the warmest temperature reached in the freezer compartment is displayed for five sec., Fig. 2/2, and then cleared. The display stops flashing. If the displayed temperature is more than +3 °C, prepare a ready meal by boiling or frying the frozen food and refreeze. No longer store the frozen produce for the max. storage period.

Fault	Possible cause	Remedial action
"Alarm" display illuminates, the acoustic warning signal sounds.	<p>Malfunction – it is too warm in the freezer compartment!</p> <ul style="list-style-type: none"> <li>• The ventilation openings are blocked.</li> <li>• There is an obstruction between the refrigerating machine and the wall.</li> <li>• The fully automatic defrosting function has begun. After half an hour at most, the cooling begins again.</li> </ul>	Press the "Alarm" button to cancel the warning tone.
	If any of these be the case, the indicator light will extinguish after a period of time.	If the control light does not extinguish, it may be that the evaporator in the No-frost system, through exceptional circumstances, has become so excessively frosted that this can no longer be rectified automatically. In this case, switched off the appliance for approx. one day leaving the door open. The appliance can then be operated normally.

## Customer service

A technician who is called out for consultation purposes will charge you, even if the appliance is still under guarantee.

Please check your telephone book or the customer-service list for your nearest customer-service facility. When contacting

customer service, please ALWAYS quote the product number (E-number) and production number (FD-number) of your appliance.

These numbers can be found on the rating plate. **Fig. 11**

To prevent unnecessary call-outs, please assist customer service by quoting the product and production numbers. This will save you additional costs.

Bitte diese Gebrauchsanleitung und alle anderen beiliegenden Informationen lesen und danach handeln.

Alle Unterlagen für späteren Gebrauch oder für Nachbesitzer aufbewahren.

## Hinweise zur Entsorgung

### Entsorgung des Altgeräts

Bitte beachten, wenn Ihr neues Gerät ein Altgerät ersetzt.

Altgeräte sind kein wertloser Abfall! Durch umweltgerechte Entsorgung können wertvolle Rohstoffe wiedergewonnen werden.

Altgerät unbrauchbar machen:

1. **Netzstecker ziehen,**
2. **Anschlusskabel durchtrennen und mit dem Netzstecker entfernen,**
3. **Türschloss entfernen, damit spielende Kinder sich nicht einsperren und in Lebensgefahr geraten.**

Kältegeräte enthalten Kältemittel und in der Isolierung Gase. Kältemittel und Gase müssen fachgerecht entsorgt werden. Rohre des Kältemittel-Kreislaufs bis zur fachgerechten Entsorgung nicht beschädigen.

### Entsorgung der Verpackung

**Achtung:**

**Verpackungsmaterial ist kein Spielzeug für Kinder – Erstickungsgefahr durch Faltpapier und Folien!**

Ihr neues Gerät wurde auf dem Weg zu Ihnen durch die Verpackung geschützt. Alle eingesetzten Materialien sind umweltverträglich und wieder verwertbar. Bitte helfen Sie mit: Entsorgen Sie die Verpackung umweltgerecht.

Über aktuelle Entsorgungswege informieren Sie sich bitte bei Ihrem Fachhändler oder bei der Gemeindeverwaltung.

## Allgemeine Sicherheitshinweise

Das Gerät ist bestimmt

- für die Verwendung im Haushalt,
- zum Einfrieren und Lagern von Lebensmitteln.

Bei gewerblicher Nutzung die jeweils gültigen Bestimmungen beachten.

### Achtung

Gerät muss sachgemäß aufgestellt und ordnungsgemäß angeschlossen sein, siehe separate Montageanleitung.

Beschädigtes Gerät nicht in Betrieb nehmen, den Lieferanten informieren.

### Verletzungsgefahr

Rohre des Kältemittel-Kreislaufes nicht beschädigen. Herausspritzendes Kältemittel kann die Augen verletzen und ist brennbar.

### Bei Notfällen

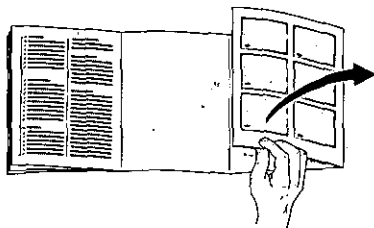
- Augen ausspülen und Arzt aufsuchen.
- Zündfunken und offenes Feuer vom Gerät fernhalten.
- Netzstecker ziehen, Raum einige Minuten gut lüften.

## Explosionsgefahr

Hochprozentigen Alkohol nur dicht verschlossen und stehend lagern.

Keine Produkte mit brennbaren Treibgasen (z. B. Spraydosen) und keine explosiven Stoffe lagern.

## Ihr neues Gerät



Detailabweichungen – insbesondere bei Ausstattungsmerkmalen – je nach Gerätetyp.

### Bild 1

1-7 Bedienblende

8 Kälteakkus\*

9 Gefriertablett\*

10 Gefrierfachklappe\*

11 Gefriergutkörbe (klein)

12 Gefriergutkorb (groß)\*

13 Gefrierkalender\*

14 Sockelblende

15 Schraubfüße

A Nofrost System

\*nicht bei allen Modellen

## Klimaklassen – zulässige Raumtemperatur

Die Klimaklasse steht auf dem Typenschild. Sie gibt an, innerhalb welcher Raumtemperaturen das Gerät betrieben werden kann.

Klimaklasse	zulässige Raumtemperatur
SN	+10 °C bis 32 °C
N	+16 °C bis 32 °C
ST	+18 °C bis 38 °C
T	+18 °C bis 43 °C

## Belüftung

### Bild 3

Die Luft an der Rückwand des Geräts erwärmt sich. Die erwärmte Luft muss ungehindert abziehen können. Die Kühlmachine muss sonst mehr leisten. Dies erhöht den Stromverbrauch. Daher: Nie Be- und Entlüftungsöffnungen abdecken oder zustellen!

## Bedienblende

### Bild 2

#### 1 Hauptschalter Ein/Aus

Geräte-Hauptschalter, dient zum Ein- und Ausschalten des gesamten Gerätes.

#### 2 Temperaturanzeige

(zeigt 3 unterschiedliche Temperaturen an)

#### a) Aktuelle Gefrierraumtemperatur

Ohne eine Taste zu drücken, wird hier die momentan herrschende Temperatur im Gefrierraum angezeigt.

### b) Einstelltemperatur für Gefrierraum

Nach Drücken der Einstelltaste 5 wird die Einstelltemperatur fünf Sek. lang angezeigt. Danach erscheint wieder die "aktuelle" Gefrierraumtemperatur.

### c) "Wärmste Temperatur" im Gefrierraum

Wenn die Anzeige 2 blinkt, dann war es in der Vergangenheit, bedingt durch einen Stromausfall oder einer Störung im Gefrierraum zu warm.

Nach Drücken der Taste "4" wird auf der Anzeige 2 fünf Sek. lang die "wärmste Temperatur", die im Gefrierraum geherrscht hat, angezeigt.

Danach wird dieser Wert gelöscht – die Anzeige 2 zeigt dann die "aktuelle Gefrierraumtemperatur" ohne zu blinken an.

Von diesem Zeitpunkt an wird die "wärmste Temperatur" neu ermittelt und gespeichert.

### 3 Anzeige "alarm"

leuchtet gleichzeitig mit Ertönen des Warntones, also wenn es im Gefrierraum zu warm ist.

Sie **erlischt**, wenn der Gefrierraum seine Betriebstemperatur erreicht hat.

### 4 Anzeige "super"

Sie leuchtet nur, wenn das Supergefrieren in Betrieb ist.

### 5 "◊"-Temperatureinstelltaste

#### a) Einstellen der Gefrierraumtemperatur

◊-Taste 5 drücken.

Die Einstelltemperatur wird 5 Sek. lang auf der Anzeige 2 angezeigt.

Die Einstelltaste wiederholt oder ständig drücken, bis die gewünschte Temperatur angezeigt wird. Der zuletzt eingestellte Wert wird gespeichert. (Die Einstelltemperatur wird in fortlaufender Reihenfolge von  $-18^{\circ}\text{C}$  bis  $-26^{\circ}\text{C}$  angezeigt. Nach  $-26^{\circ}\text{C}$  erscheint wieder  $-18^{\circ}\text{C}$ .)

### 6 "super"-Taste

Dient zum Ein- und Ausschalten des Supergefrierens.

Die Inbetriebnahme wird über die Anzeige 4 "super" angezeigt. Das Supergefrieren dient zum Einfrieren großer Mengen frischer Lebensmittel und ist je nach Menge bis zu **24 Stunden vor dem Einlegen** der frischen Lebensmittel einzuschalten.

Die Kältemaschine arbeitet nach dem Einschalten ständig, im Gefrierraum wird eine sehr tiefe Temperatur erreicht.

**Das Supergefrieren schaltet sich automatisch ab, wenn die frisch eingelegten Lebensmittel durchgefroren sind (bei kleinen Mengen Lebensmitteln nach einigen Stunden, bei großen Mengen nach bis zu zwei Tagen).**

**Wenn das Einlegen der Lebensmittel vergessen wurde, schaltet sich das Supergefrieren nach ca. 26 Std. ab.**

### 7 "4" Taste

Dient zum Abschalten des Blinkens der Anzeige 2, zum Abschalten des Temperatur- und Tür-Warntones und zum Anzeigen der "wärmsten Temperatur" die im Gefrierraum geherrscht hat.

Der **Tür-Warnton** schaltet sich ein, wenn die Gerätedür länger als eine halbe Minute offen steht.

Der **Temperatur-Warnton** schaltet sich ein und die Anzeige 2 blinkt, wenn es im Gefrierraum zu warm, also das Gefriergut gefährdet ist. Gleichzeitig wird die wärmste Temperatur die im Gefrierraum geherrscht hat gespeichert.

Ohne Gefahr für das Gefriergut kann sich der Warnton einschalten und die Anzeige blinken:

- bei Inbetriebnahme des Gerätes
- beim Einlegen großer Mengen frischer Lebensmittel
- und bei zu lange geöffneter Gefrierraumtür.

Nach Drücken der Taste 7 wird der Warnton und das Blinken der Anzeige 2 abgeschaltet, gleichzeitig wird die "wärmste Temperatur" 5 sec lang auf der Anzeige 2 angezeigt.

## Gerät anschließen, einschalten, Temperatur einstellen

Vor der ersten Inbetriebnahme den Innenraum des Gerätes reinigen (siehe Reinigen).

### Gerät anschließen

Die Steckdose sollte frei zugänglich sein. Das Gerät an 220–240 V/50 Hz Wechselstrom über eine vorschriftsmäßig installierte Steckdose anschließen. Die Steckdose muss mit einer 10 A-Sicherung oder höher abgesichert sein.

Bei Geräten, die in nicht-europäischen Ländern betrieben werden, ist auf dem Typschild zu überprüfen, ob die angegebene Spannung und Stromart mit den Werten Ihres Stromnetzes übereinstimmt. Das Typschild befindet sich im Gerät links unten. Ein eventuell not-

wendiger Austausch der Netzanschlussleitung darf nur durch einen Fachmann erfolgen.

### Warnung!

**Auf keinen Fall darf das Gerät an elektronische Energiesparstecker (z.B. EcoBoy; Sava Plug) und an Wechselrichtern die Gleichstrom in 230V Wechselstrom umwandeln angeschlossen werden (z.B. Solaranlagen Schiffsstromnetze).**

## Gerät einschalten

### Bild 2

- **Geräte-Hauptschalter 1 drücken**, Warnton ertönt, Anzeige 2 blinkt. Anzeige 3 "alarm" leuchtet.
- ~~4~~-Taste drücken, - Warnton verstummt. Anzeige 2 hört auf zu blinken. Bei Temperaturen wärmer als 19 °C wird "-" angezeigt. Erst bei kälteren Temperaturen werden Ziffern in "°C" angezeigt.
- Vom Werk aus hat das Gerät folgende Grundeinstellungen:  
Gefrierraumtemperatur: -18 °C.
- Die Einstellwerte können geändert werden, siehe Beschreibung zu Taste 5.

### Hinweise:

- Wenn der Gefrierraum seine Betriebstemperatur erreicht hat, erlischt die "alarm"-Anzeige 3.
- **Durch das vollautomatische Nofrost-System bleibt der Gefrierraum eisfrei. Ein Abtauen ist nicht mehr notwendig.**
- Die Stirnseiten des Gehäuses werden teilweise leicht beheizt, dies verhindert Schwitzwasserbildung im Bereich der Türdichtung.

## Gefrieren und Lagern

### Verletzungsgefahr

Gefriergut nicht mit nassen Händen berühren. Hände können festfrieren.

### Gefrierverbrennung

Durch sehr tiefe Temperatur. Eis nicht sofort vom Gefrierraum in den Mund nehmen.

### Achtung

Keine Dosen und Flaschen mit Flüssigkeit einfrieren, keine kohlenensäurehaltigen Getränke – Gefäße können platzen.

An- oder aufgetautes Gefriergut nicht wieder einfrieren. Gefriergut erst garen, dann darf es erneut eingefroren werden.

### Tiefkühlkost einkaufen

Verpackung darf nicht beschädigt sein.

Haltbarkeits-Datum beachten.

Temperatur in der Verkaufstruhe – 18 °C oder tiefer.

Tiefkühlkost möglichst in einer Isoliertasche transportieren und schnell in den Gefrierraum legen.

### Lebensmittel selbst eingefrieren

Werden Lebensmittel selbst eingefroren, nur frische, einwandfreie Lebensmittel verwenden.

#### Zum Einfrieren geeignet sind:

Fleisch- und Wurstwaren, Geflügel und Wild, Fisch, Gemüse, Kräuter, Obst, Backwaren, Pizza, fertige Speisen, Speisereste, Eigelb und Eiweiß.

#### Zum Einfrieren nicht geeignet sind:

Ganze Eier in der Schale, Sauerrahm und Mayonnaise, Blattsalate, Radieschen, Rettiche und Zwiebel.

#### Blanchieren von Gemüse und Obst

Damit Farbe, Geschmack, Aroma und Vitamin "C" erhalten bleiben, sollte Gemüse und Obst vor dem Einfrieren blanchiert werden.

Beim Blanchieren wird das Gemüse und Obst kurzzeitig in kochendes Wasser getaucht.

Literatur über das Einfrieren, wo auch das Blanchieren beschrieben wird, gibt es im Buchhandel.

### Lebensmittel verpacken

Die Waren portionsgerecht für Ihren Haushalt abpacken. Gemüse und Obst nicht schwerer als 1 kg, Fleisch bis zu 2,5 kg portionieren. Kleinere Portionen frieren schneller durch und die Qualität bleibt beim Auftauen und Zubereiten so am besten erhalten.

Die Lebensmittel luftdicht verpacken, damit sie nicht ihren Geschmack verlieren oder austrocknen.

#### Zum Verpacken geeignet sind:

Kunststoff-Folien, Schlauchfolien aus Polyethylen, Alu-Folien und Gefrierdosen. Diese Produkte finden Sie im Fachhandel.

#### Ungeeignet sind:

Packpapier, Pergamentpapier, Cellophan, Müllbeutel und gebrauchte Einkaufstüten.

Die Lebensmittel in die Verpackung einlegen, Luft völlig herausdrücken und Pakung dicht verschließen.

### Zum Verschließen eignen sich:

Gummiringe, Kunststoffklipse, Bindfäden, kältebeständige Klebänder oder ähnliches. Beutel und Schlauch-Folien aus Polyethylen können mit einem Folien-schweissgerät verschweisst werden.

Vor dem Einlegen in den Gefrierraum den Inhalt der Gefrierpakete kennzeichnen und mit dem Einlegedatum versehen.

Heiße Speisen und Getränke vor dem Einlegen in den Gefrierraum auf Zimmertemperatur abkühlen lassen.

## Supergefrieren

Lagern bereits Lebensmittel im Gefrierraum, ist einige Stunden vor dem Einlegen frischer Ware das "Supergefrieren" einzuschalten.

Im allgemeinen genügen 4-6 Stunden. Soll das max. Gefriervermögen genutzt werden, benötigt man 24 Stunden. Kleinere Mengen Lebensmittel (bis zu 2 kg) können ohne Supergefrieren eingefroren werden. Zum Einschalten des Supergefrierens einfach die Supergefrier-Taste Bild 2/6 drücken.

## Max. Gefriervermögen

Lebensmittel sollen möglichst schnell bis zum Kern durchgefroren werden. Nur so bleiben Vitamine, Nährwert, Aussehen und Geschmack erhalten. Das max. Gefriervermögen Ihres Gerätes deshalb nicht überschreiten. Je nach Gerätetyp können Sie folgende Mengen Lebensmittel auf einmal eingefrieren.

**GSU 23./GS23U.. 20 kg/24h**

## Lebensmittel einordnen

Größere Mengen Lebensmittel vorzugsweise in den Fächern mit Klappen eingefrieren, dort werden sie besonders schnell und somit auch schonend eingefroren. (Zum Öffnen Klappe hochheben und nach vorn kippen, Bild 5/A). Die Lebensmittel breitflächig in die Fächer bzw. in die Gefriergutkörbe legen.

Bereits gefrorene Lebensmittel dürfen nicht mit den frisch einzufrierenden Lebensmitteln in Berührung kommen. Gegebenenfalls durchgefrorene Lebensmittel in die Gefriergutkörbe umstapeln.

**Die unterste Klappe mit "Stützseilen" Bild 5/B)** kann als Vorablage beim Beladen und Entladen von Gefriergut benutzt werden (nicht bei allen Modellen).

**Der große Gefriergutkorb Bild 1/12** bevorzugt zum Einfrieren und Lagern von großem Gefriergut, z.B. Puten, Enten und Gänsen usw., verwenden.

### Hinweise

- Werden frische Lebensmittel in den oberen Fächern eingefroren, zeigt die Temperaturanzeige einen Temperaturanstieg an. Unter Umständen werden sogar die Warneinrichtungen ausgelöst. Dies bedeutet aber keine Gefahr für das bereits eingefrorene Gefriergut. Spätestens nach 24 Stunden zeigt die Temperaturanzeige die eingestellte Temperatur wieder an.
- Immer darauf achten, daß alle Gefriergutschalen bis zum Anschlag ganz eingeschoben sind. Wichtig für eine einwandfreie Luftzirkulation im Gerät!

- Um zu verhindern, dass bei einem event. Stromausfall oder einer Störung die Lebensmittel schnell erwärmen, Kälteakkus von dem Gefriertablett in das oberste Fach direkt auf die Lebensmittel legen Bild **8**/11.

## Gefrierkalender

**Bild 7** nicht bei allen Modellen

Um Qualitätsminderungen des Gefriergutes zu vermeiden, ist es wichtig, dass die zulässige Lagerdauer nicht überschritten wird. Die Lagerdauer hängt von der Art des Gefriergutes ab. Die Zahlen bei den Symbolen geben die zulässige Lagerdauer in Monaten für das Gefriergut an. Bei fertiger Tiefkühlkost, die im Handel erhältlich ist, ist das Herstellungsdatum oder das Haltbarkeitsdatum zu beachten.

## Kälteakku

**Bild 8** /11

(Nicht bei allen Modellen, wenn beliebig, Stückzahl unterschiedlich).

Der Kälteakku verzögert bei einem Stromausfall oder einer Störung die Erwärmung des eingelagerten Gefriergutes. Die effektivste Verzögerung und der niedrigste Stromverbrauch werden erreicht, wenn der Akku in das oberste Fach direkt auf die Lebensmittel gelegt werden. Der Kälteakku kann auch zum vorübergehenden Kühlhalten von Lebensmitteln, z.B. in einer Kühltasche, herausgenommen werden.

## Gefriertablett

**Bild 8** /12

Das Gefriertablett eignet sich zum Aufbewahren des Kälteakkus und zum einzelnen Einfrieren von Beeren, Obststücken, Kräutern und Gemüse. Dazu Kälteakku herausnehmen, Gefriergut auf dem Gefriertablett gleichmäßig verteilen und ca. 10 bis 12 Stunden durchfrieren lassen. Danach in Gefrierbeutel oder Behälter umfüllen. Zum Auftauen Gefriergut wieder einzeln nebeneinander ausbreiten.

## Trennplatte zum Verkleinern des Gefriertraumes

**Bild 9, 10**

(Als Nachrüstsatz im Fachhandel erhältlich)

Bei geringer Beladung kann durch Einsetzen der Trennplatte Strom gespart werden.

---

## Gerät ausschalten und stilllegen

### Gerät ausschalten

Hauptschalter Bild **2** /1 drücken.

### Gerät stilllegen

Wenn Sie das Gerät längere Zeit nicht benutzen:

1. Netzstecker ziehen
2. Gerät reinigen
3. Geräte-Tür offen lassen.

## Gerät reinigen

Möglichst zweimal im Jahr.

### Stromschlaggefahr

Keinen Dampfreiniger einsetzen. Spannungsführende Teile können bei Dampfniederschlag einen Kurzschluss oder Stromschlag auslösen.

- Netzstecker ziehen oder Sicherung auslösen.
- Gefriergut herausnehmen und an einem kühlen Ort lagern.
- Mit Wasser und wenig Reinigungsmittel reinigen.

### Achtung

Türdichtung nur mit klarem Wasser reinigen und gründlich trockenreiben.

Reinigungswasser darf nicht in die Bedienblende gelangen.

Keine sandhaltigen oder säurehaltigen Putz- und Lösungsmittel verwenden.

## Energie sparen

- Gerät in einem trockenen, belüftbaren Raum aufstellen; nicht direkt in der Sonne oder in der Nähe einer Wärmequelle (z. B. Heizkörper, Herd). Sonst eine Isolierplatte verwenden.
- Warme Speisen und Getränke außerhalb des Gerätes abkühlen lassen.

- Das Gefriergut zum Auftauen in den Kühlschrank geben. Die Kälte des Gefriergutes zur Kühlung von Lebensmitteln nutzen.
- Gerätetür so kurz wie möglich öffnen.

## Betriebsgeräusche

Betriebsgeräusche sind funktionsbedingt.

**Brummen** – Kälteaggregat läuft.

**Blubbernde, surrende oder gurgelnde Geräusche** – Kältemittel fließt durch die Rohre.

**Klicken** – Motor schaltet ein oder aus.

**Sollten die funktionsbedingten Geräusche zu laut sein, hat dies womöglich einfache Ursachen, die sich vielfach ganz leicht beheben lassen.**

### Das Gerät steht uneben

Bitte richten Sie das Gerät mit Hilfe einer Wasserwaage eben ein. Verwenden Sie dazu die Schraubfüße oder legen Sie etwas unter.

### Das Gerät "steht an"

Bitte rücken Sie das Gerät von anstehenden Möbeln oder Geräten weg.

### Schubladen, Körbe oder Abstellflächen wackeln oder klemmen

Prüfen Sie bitte die herausnehmbaren Teile und setzen Sie sie eventuell neu ein.

### Gefäße berühren sich

Rücken Sie bitte die Flaschen oder Gefäße leicht auseinander.

## Kleine Störungen selbst beheben

### Stromschlaggefahr

Reparaturen nur vom Kundendienst oder von autorisierten Fachkräften durchführen lassen.

Bevor Sie den Kundendienst rufen, prüfen Sie bitte, ob Sie die Störung nicht selbst beheben können.

Im Reparaturfall oder wenn Sie eine Störung mit Hilfe folgender Hinweise nicht selbst beheben können:

- Gerät ausschalten oder Sicherung auslösen.
- Gerätetür nicht unnötig öffnen.

Störung	Mögliche Ursache	Abhilfe
Keine Anzeige leuchtet	Stromausfall; die Sicherung hat ausgelöst; der Netzstecker sitzt nicht fest.	Prüfen, ob Strom vorhanden ist, Sicherung muss eingeschaltet sein.
Anzeige zeigt "E 2" an	Elektronik defekt	Kundendienst rufen
Wenn die Anzeige Bild 2/2 blinkt	Dann war es in der Vergangenheit bedingt durch einen Stromausfall oder Störung im Gefrierraum zu warm.	Nach Drücken der Taste <b>Bild 2/7</b> wird auf der Anzeige <b>Bild 2/2</b> fünf Sek. lang die wärmste Temperatur die im Gefrierraum geherrscht hat, angezeigt und danach gelöscht. Das Blinken der Anzeige hört auf. Wenn die Anzeige wärmer als +3 °C angezeigt hat, Gefriergut durch Kochen, Braten zu einem Fertiggericht weiterverarbeiten und erneut eingefrieren. Die max. Lagerdauer nicht mehr voll nutzen.

Störung	Mögliche Ursache	Abhilfe
Anzeige "alarm" leuchtet, akustisches Warnsignal ertönt.	<p>Störung – im Gefrierraum ist es zu warm!</p> <ul style="list-style-type: none"> <li>• Die Be- und Entlüftungsöffnungen sind verdeckt.</li> <li>• Ein Fremdkörper ist zwischen Kühlmaschine und der Wand eingeklemmt.</li> <li>• Das vollautomatische Abtauen hat eingesetzt. Spätestens nach einer halben Stunde setzt die Kühlung wieder ein.</li> </ul>	<p>Zum Abschalten des Warntones "alarm"-Taste drücken.</p>
	<p>In diesen Fällen erlischt die Kontrolleuchte nach einiger Zeit.</p>	<p>Wenn die Kontrolleuchte nicht erlischt, ist eventuell der Verdampfer im Nofrost-System durch ungewöhnliche Umstände so stark vereist, daß er nicht mehr vollautomatisch abgetaut werden kann. In diesem Fall Gerät ca. einen Tag außer Betrieb setzen, Tür offenlassen. Danach neu in Betrieb nehmen</p>

## Kundendienst

In Beratungsfällen entstehen Ihnen, auch während der Garantiezeit, Kosten für einen Technikeinsatz.

Einen Kundendienst in Ihrer Nähe finden Sie im Telefonbuch oder im Kundendienst-Verzeichnis. Geben Sie bitte dem Kundendienst die Erzeugnisnummer

(E-Nr.) und die Fertigungsnummer (FD-Nr.) des Gerätes an.

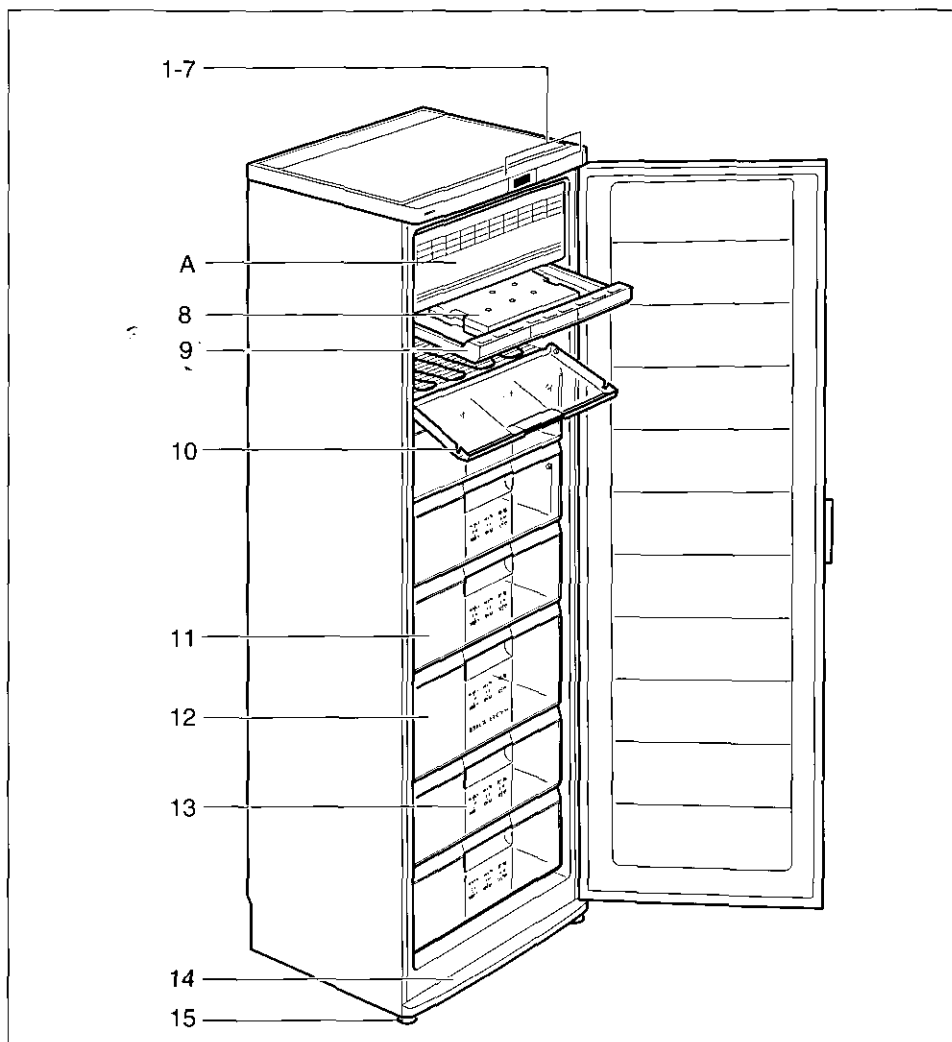
Sie finden diese Angaben auf dem Typenschild. **Bild III**

Bitte helfen Sie durch Nennung der Erzeugnis- und Fertigungsnummer mit, unnötige Anfahrten zu vermeiden. Sie sparen die damit verbundene Mehrkosten.

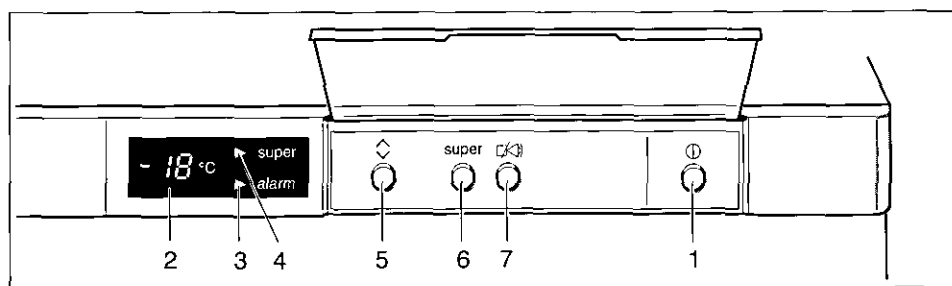
GSU2320GB/



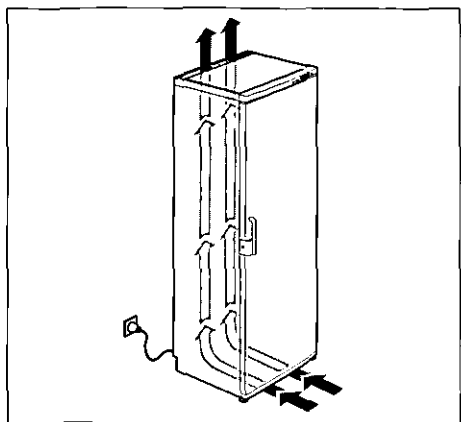
U526263



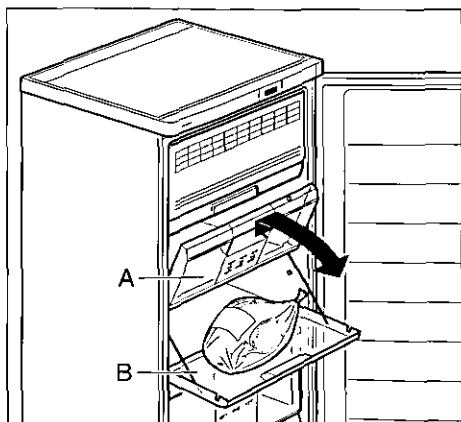
1



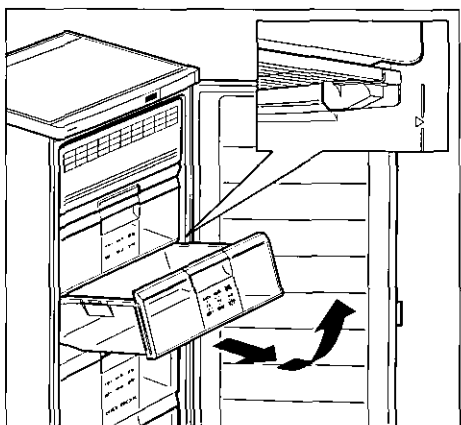
2



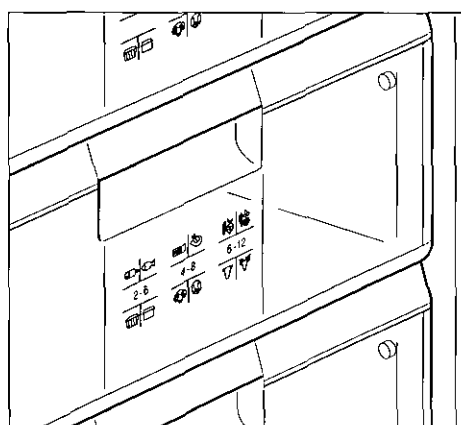
3



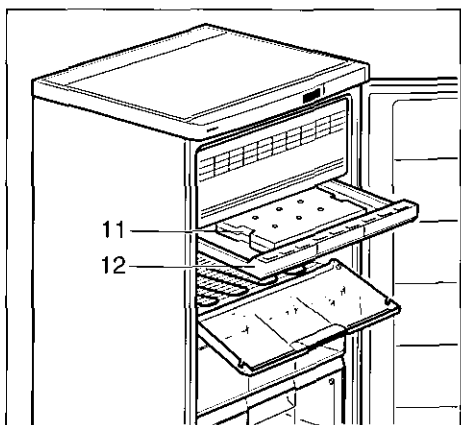
5



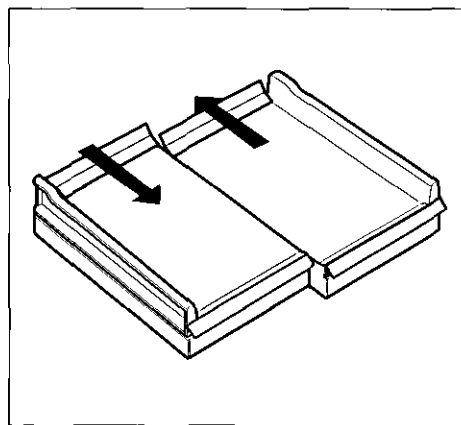
6



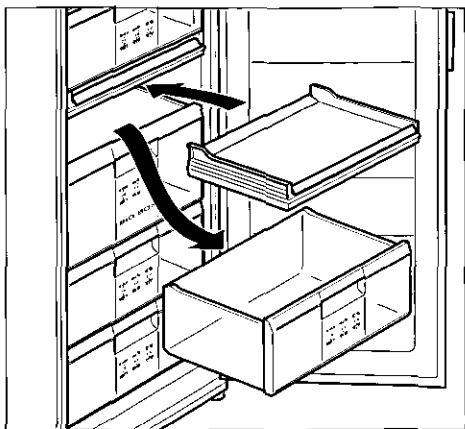
7



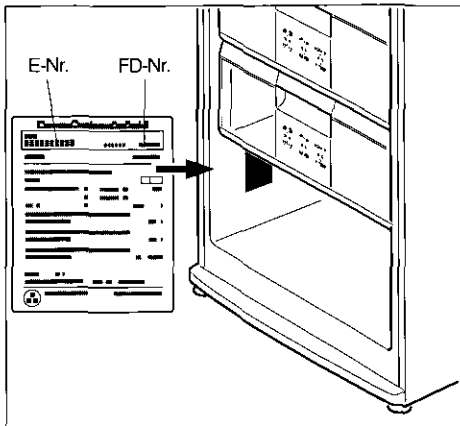
8



9



10



11

**Bosch Info-Team:**

**DE ☎ 0180/5 30 40 50**

**AT ☎ 0660/59 95**

**Internet:**

**<http://www.bosch-hausgeraete.de>**

526263

Subject to modification  
Änderungen vorbehalten