

The easy way to perfect results.



BOSCH

Invented for life



The Bosch kitchen appliance catalogue

Edition 2020

**EUROPE'S
BRAND NO.1***



*For major domestic appliances.
Source: Euromonitor, volume sales, 2019

Designed to make your everyday life easier.

Rangehoods

A range of designs to suit your dream kitchen. From focal point canopy to hidden integrated rangehoods, our whisper quiet rangehoods will be a pleasant surprise.

Cooktops

Choose a cooktop to match your cooking style. From our revolutionary FlameSelect® gas cooktops, innovative induction and traditional ceramic cooktops to our 2-in-1 cooktop with integrated ventilation.



Ovens

High-quality stainless steel combined with sleek black glass offers a timeless design, while sophisticated features deliver the best results meaning less work and more cooking pleasure.

Compact appliances

For lovers of cooking, you can add combination steam, pure steam or combination microwave ovens to your kitchen.

Coffee machine

For lovers of coffee, your favourite café can be right in your kitchen. The coffee machine design matches the Series 8 ovens for a seamless and coordinated look.

Warming drawers

Keep your coffee cups on hand for the morning cappuccino or warm up plates before serving dinner. You can also use our warming drawers to defrost, prove dough and so much more.

Dishwashers

A dishwasher is a must in every modern kitchen to save you the hassle of cleaning up. Choose from under bench, semi and fully integrated models to perfectly integrate into your kitchen.



Design

Our quest for technical perfection, perceivable quality and simple operation is reflected in our designs. Bosch is the No.1 brand in design, with over 200 design awards over the past five years. Tangible quality and engineering precision support the functions of each appliance and serve to improve quality of life for the user.



Bosch – a brand you can trust.



Quality

Our years of experience in home appliances paired with the latest German engineering allow us to manufacture quality products that are easy to use and deliver perfect results.



Carbon Neutral by 2020

Robert Bosch have committed to carbon neutrality by 2020. This covers all manufacturing, administrative and research facilities through prioritising efforts to improve both energy and resource efficiency. This will make Bosch the first major industrial enterprise to achieve complete carbon neutrality by 2020.



Performance

With Bosch Assist and advanced sensor technology found in PerfectBake™ and PerfectRoast™, the Bosch Series 8 ovens and compact appliances will modify the cooking process from start to finish for perfect baking and roasting results.



Convenience

A little peace of mind for your daily life at home with Bosch sensor technology for perfect cooking results. Our FlameSelect® gas cooktop technology will let you adjust power levels precisely and our self-cleaning functions will save you the trouble of cleaning up.



Sustainability

This signet denotes products that focus on energy and water efficiency while achieving top performance based on Bosch technologies – and, like all Bosch products, have been manufactured with the aim of minimising their impact on the environment. The signet stands for the resource-efficiency of our products – quite simply, for their 'Green Technology'.

Find the right appliance for your dream kitchen.

Ovens & Compact Appliances pages 17–45



60cm built-in ovens

Our ovens combine high-quality stainless steel and black glass for a sleek finish on all models. Multiple cooking and cleaning options offer convenience.



Combination steam and pure steam ovens

Cooking with steam helps retain vitamins and minerals in fresh foods, as well as maintain original colour, shape and consistency.



Combination microwave and pure microwave ovens

Add speed to your traditional cooking process without compromising on taste.



Coffee machine

Whether your preference is a skinny latte, a double shot cappuccino or a delicious hot chocolate, our coffee machine brings café-style drinks to your home.



Warming drawers

Ensure food stays at just the right serving temperature. You can also defrost, prove dough or slow cook.



90cm built-in ovens

With a large interior cavity, boasting 112 usable litres (net), pyrolytic self cleaning function and telescopic rails for total convenience.



Double ovens

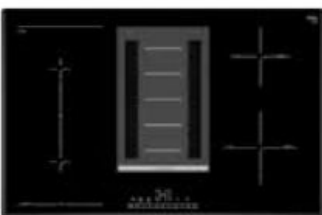
Bosch double ovens allow you to roast in the bottom oven cavity while grilling in the top oven for maximum cooking convenience.



Freestanding cookers

Freestanding cookers offer total flexibility in your kitchen layout. Our models combine the latest ovens and cooktops in one appliance with perfect precision.

Cooktops pages 47–69



2-in-1 vented cooktop

For freedom and flexibility in designing your kitchen, we've developed a 2-in-1 cooktop with integrated ventilation. This appliance combines the latest technologies of our induction cooktops and rangehoods in a single appliance.



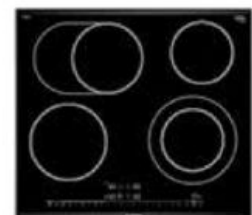
Induction cooktops

Bosch has a range of induction cooktops that are designed to make it easier and quicker for you to create the dishes you love.



Gas cooktops

The cooktop of choice in most professional kitchens, the Bosch FlameSelect® gas cooktops are innovative, stylish and help you to always achieve perfect results.



Ceramic cooktops

With their electronic touch-controls and flexible cooking zones, Bosch ceramic cooktops combine great looks with smart function and design.

Rangehoods pages 71–81



Canopy wall-mounted rangehoods

Canopy wall-mounted rangehoods provide a focal point in any kitchen. Choose a design that compliments your style, plus they are also packed full of convenient features.



Integrated rangehoods

Sleek in design, Bosch fully integrated rangehoods are neatly concealed beneath the cupboard for a seamless look in the kitchen. Performance that is not seen or heard.



Slideout rangehoods

Extends when in use and slides neatly away when not in operation. Practically disappears into your upper cabinet, giving you a sleek kitchen finish.

Dishwashers pages 83–99



Freestanding dishwashers

Ideal replacement dishwasher, complete with kick panel and removable worktop. You can raise the height of the dishwasher so that the control display meets the benchtop.



Under bench dishwashers

Can be fitted into a new or existing kitchen with style. It is height adjustable for a flush fit and can be installed with a continuous kick panel for a seamless integration with kitchen cabinetry.



Semi-integrated dishwashers

Can be fitted with a door panel to match the design of your kitchen, while providing a focal point in the visible, easy to use control panel. A continuous kick panel provides seamless integration.



Fully integrated dishwashers

Can be concealed entirely behind a door panel to match the design of your kitchen cabinetry with a control panel that is neatly integrated into the top of the dishwasher door.



Slimline 45cm dishwashers

Ideal for kitchens with limited space. Available as a freestanding stand-alone model and as an under bench model with adjustable height for a flush fit.



TallTub dishwasher

Discover the new fully integrated TallTub dishwasher from Bosch with extra space for taller items.



Contents

Ovens & Compact Appliances

Built-in ovens & compacts

30-37

Series 8 black glass ovens & compacts

30-33

Series 8 stainless steel ovens & compacts

34-35

Series 6, 4 & 2 stainless steel ovens & compacts

36-37

Large capacity ovens

40-41

90cm ovens

40

Double ovens

41

Freestanding cookers

44-45

Cooktops

2-in-1 Cooktop with integrated ventilation

53

Induction cooktops

56-58

Gas cooktops

62-64

Ceramic cooktops

68-69

Rangehoods

Wall-mounted rangehoods

76-77

Integrated rangehoods

78-79

Retractable slideout rangehoods

80

Dishwashers

Fully integrated TallTub dishwasher

91

Fully integrated dishwashers

92

Semi-integrated dishwashers

93

Under bench dishwashers

94-95

Freestanding dishwashers

96-99

Slimline & compact dishwashers

99

Reference guides

101-125

Accessories

126-127

Technical diagrams

128-141

Customer service

142

Bosch | Good, Better, Best

Design your kitchen

Your every day kitchen: Look for Series 2 & 4

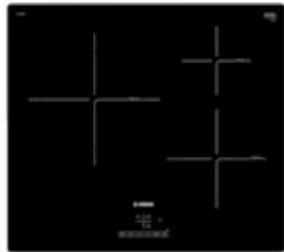
These appliances are perfect for first time home owners wanting reliable appliances in a contemporary design that deliver value for money.



Series 4 | DLN54AA70A
53cm Integrated Rangehood



Series 4 | HBA534ES0A
EcoClean Direct Oven



Series 4 | PIJ611BB1E
60cm Induction Cooktop

OR



Series 2 | PBH6B5B90A
60cm Stainless Steel Gas Cooktop



Series 4 | SMU46GS01A
Under Bench Dishwasher

Want a bit more? Look for Series 6

These appliances are perfect for families that need easy to operate home appliances with additional cooking features, a timeless design and German quality.



Series 6 | VBD578FS0
90cm Pyrolytic Oven



Series 6 | DWB97LM50A
90cm Wall-mounted Stainless Steel Canopy Rangehood



Series 6 | PVS675FB5E
60cm CombiInduction® Cooktop

OR



Series 6 | PPS9A6B90A
90cm Black Tempered Glass Gas Cooktop



Series 6 | SMI66MS01A
Semi-integrated Dishwasher

Best in class: Look for Series 8

These appliances are perfect if you want the latest technology with a premium finish and outstanding German quality. With a self-cleaning oven, steam oven, microwave oven, coffee machine and warming drawer all your cooking needs are covered. The FlexInduction® cooktop makes cooking to perfection a breeze.



Series 8 | HSG656XB6A
60cm EcoClean Oven with Full Steam



Series 8 | CSG656RB1A
60cm Combination Steam Oven



Series 8 | CMG633BS1B
60cm Combination Microwave Oven



Series 8 | BIC630NB1A
60cm Warming Drawer



Series 8 | PXE875DC1E
80cm FlexInduction® Cooktop



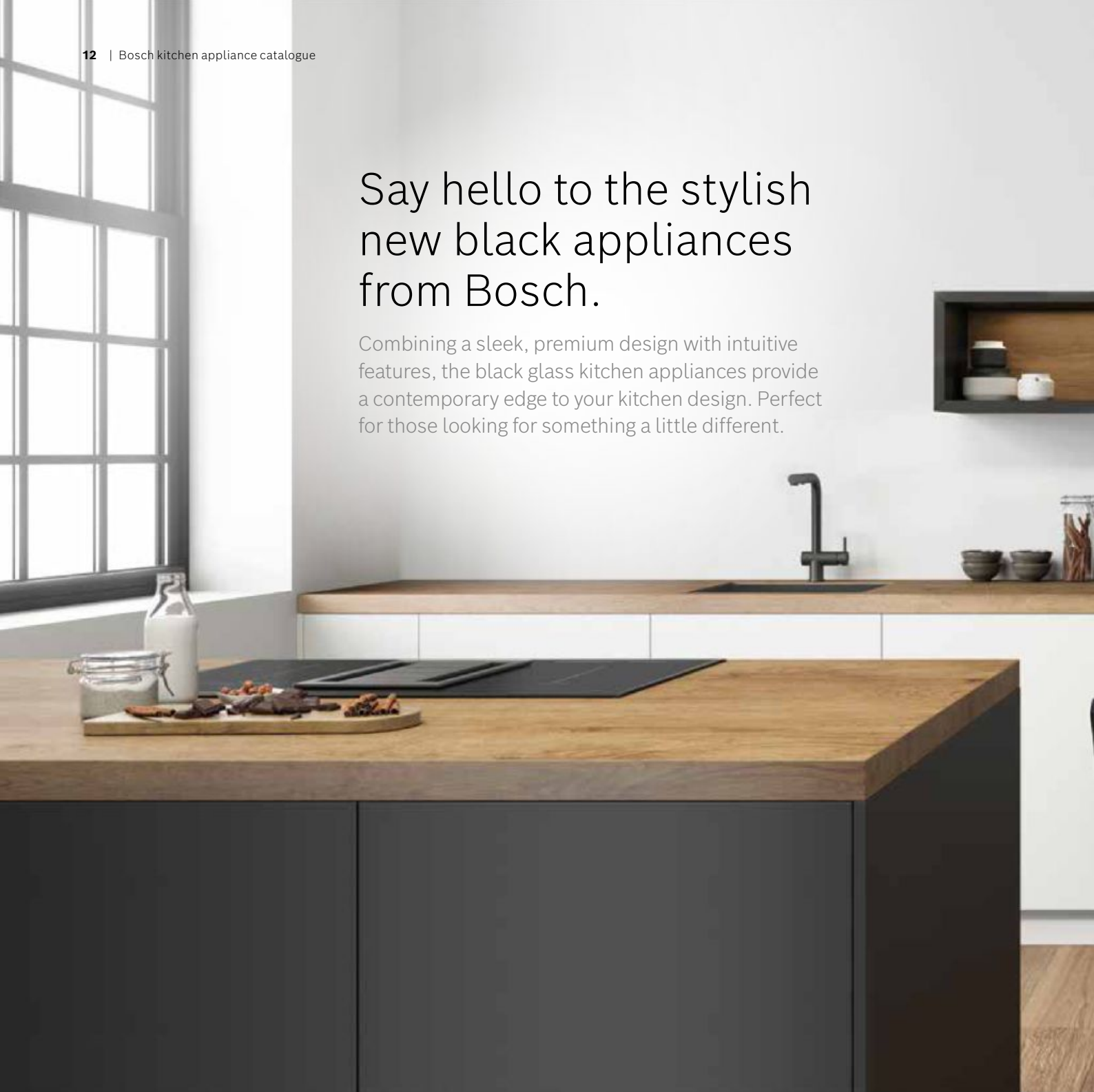
Series 8 | DHL895DAU
86cm Integrated Rangehood



Series 8 | SMV88TX02A
Fully Integrated Dishwasher

Say hello to the stylish new black appliances from Bosch.

Combining a sleek, premium design with intuitive features, the black glass kitchen appliances provide a contemporary edge to your kitchen design. Perfect for those looking for something a little different.



Get the look.



Series 8 | Black Glass Ovens
See page 30 -31.



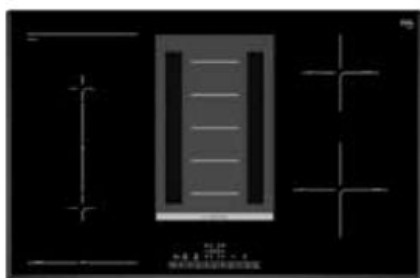
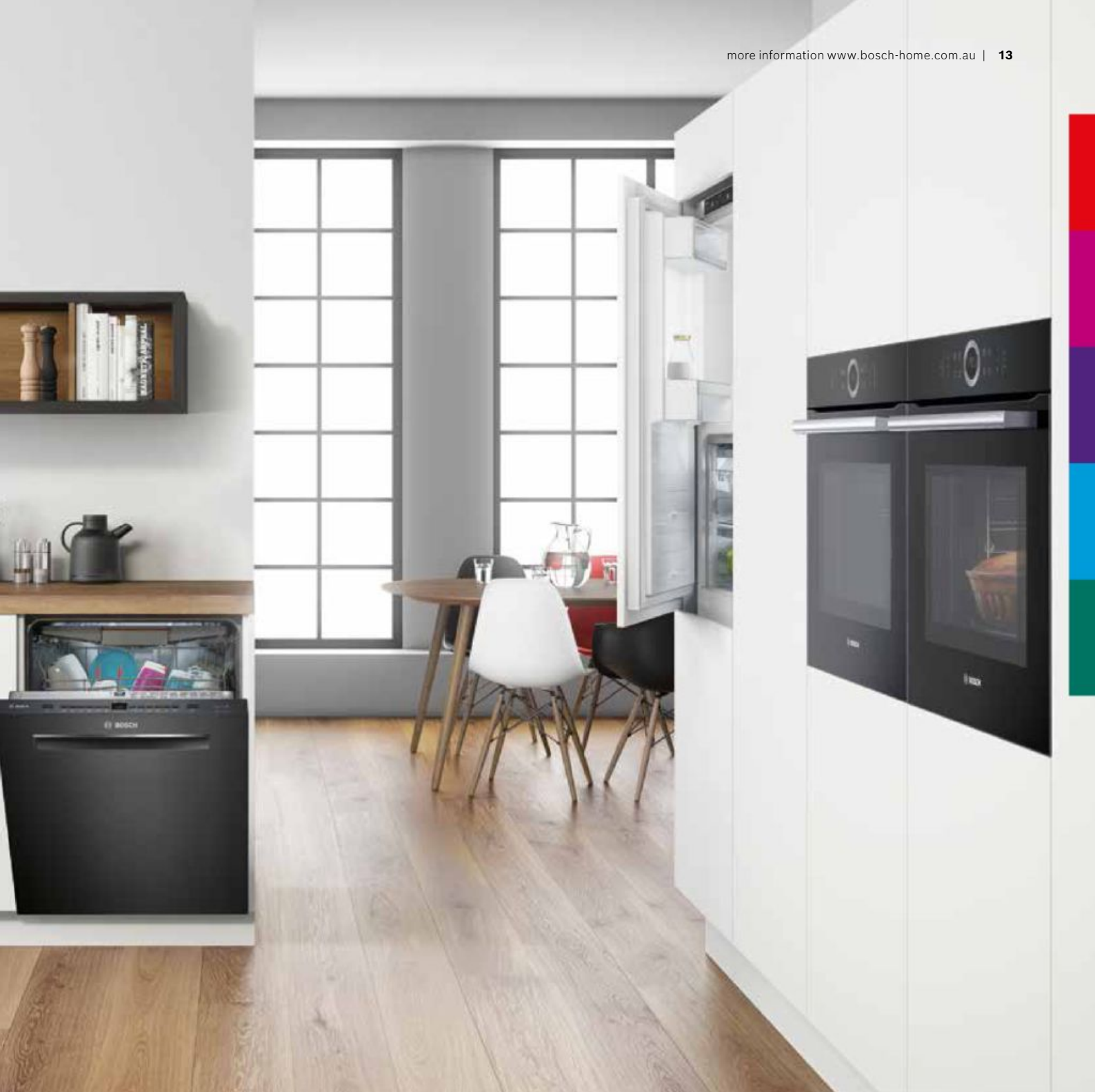
Series 8 | Black Glass Compact Ovens
See page 32.



Series 8 | Black Glass Coffee Machine
See page 32.



Series 8 | Warming Drawer
See page 33.



Black Glass Induction Cooktops
See page 53 & 56-58.



Series 6 | Black Glass FlameSelect® Cooktops
See page 62.



Series 6 | Black Inox Under
Bench Dishwasher
See page 94.

**EUROPE'S
BRAND NO.1***



Serie | 8
PXV975DV1E



*"Wi-fi connection automates
the rangehood, it is
surprisingly simple to use."*

Incentivised review.

*For major domestic appliances.
Source: Euromonitor, volume sales, 2019


Cook to Hood

Direct cooktop to rangehood communication for convenient control.

Connected via wireless modules, your hood automatically turns on when the cooktop is switched on – perfect if you often find yourself forgetting to turn it on until odours start filling the kitchen.


Cook to Hood

Operate various functions of the rangehood directly from the cooktop or leave it to the automatic operation by holding down the function until the automatic symbol appears. Wireless modules are found in both the cooktop and the rangehood, which allows direct appliance to appliance communication.

Power levels and lighting on your hood can also be controlled via the cooktop, without the need for a wi-fi network.



Series 8 | DWB91PR50A
See page 76.

Cooking produces a lot of heat, smoke and moisture, which could damage your kitchen walls and ceiling over time. The Series 8 wall-mounted rangehood offers powerful yet silent extraction of excess odours and vapours, ensuring fresh air throughout your kitchen.



Series 8 | PXV975DV1E
See page 56.

The induction cooktop with PerfectFry: achieve perfect frying results thanks to automatic temperature control. With the FlexInduction Zone, you can enjoy greater flexibility by combining the cooking zones into one big zone for placing multiple small pots or large cookware.



Ovens & Compact Appliances



Design

Put a new spin on your cooking with the Bosch oven range.

Each Bosch control panel is simple and intuitive, making cooking easier than ever.

Series 8 TFT Touch Graphic Display



The iconic control ring and clear TFT screen display, combined with the DirectSelect TouchControl buttons, make operating the Series 8 ovens simpler than ever before. Food images and helpful prompts guide you through each step, giving you total flexibility and control of cooking functions.

Series 8 TFT Touch Symbol Display



The intuitive control ring and clear TFT display with DirectSelect icons make it easy to operate your oven. Shortcuts to the two most commonly used heating functions, helpful icons and clear descriptions inside the control ring provide all the information you need to keep track of your cooking.

Series 6 LCD-display



Series 6 ovens are equipped with a white LCD-display and retractable knobs. The temperature appears in the display and can be set using the +/- knob. During preheating, the rising temperature is indicated by the lengthening of the red light line.

Series 4 LED-display



The LED-display is equipped with pop-out knobs for easier cleaning and comes with a red display. Up to 10 AutoPilot programs and cleaning functions as well as temperature adjustments are controlled via the display.

Premium Design

Using the highest quality stainless steel and glass, our ovens and compact appliances combine beautifully to deliver a timeless, elegant and stylish finish to any kitchen with sleek, co-ordinated lines and matching panels.



Combination possibilities.

Create seamless lines in your kitchen with our Serie ranges by combining a single oven together with one of our compact appliances and warming drawers. For the optimum in design co-ordination, choose appliances belonging to the same Serie family to create seamless lines in your kitchen.

Energy efficient.

Everything we know about energy-saving, green technology has been integrated into our range of feature-rich, built-in ovens.

Perfectly even results, every time.

Truly perfect baking and roasting requires not only the ideal temperature, but also the appropriate heating mode. From 4D HotAir to HotAir Gentle, our ovens offer up to 17 different heating functions that deliver great results, whatever the dish.

Technology

Bosch Assist

Bosch sensor technology. The oven that cooks by itself.

**Bosch Assist**

The advanced sensor technology found in PerfectRoast™ and PerfectBake™ offers an extensive menu of food categories that help create your perfect meal. Simply select the desired dish, press start and your oven automatically sets the ideal heating mode, temperature and length of time, monitoring and modifying the cooking as required for the best results. Of course, you can also select these settings yourself just as easily.

**PerfectBake™**

Baking has never been easier, thanks to the unique PerfectBake™ sensor. This function constantly measures the precise moisture level of your dishes and automatically adjusts the entire baking process, which means you'll never have to set the heating mode, length of time or temperature ever again. Simply choose the type of dish, such as 'Cake in Tin', press start and let your Bosch oven bake your cake to perfection*.

AutoPilot

**PerfectRoast™ meat probe**

Achieve the perfect roast lamb, Christmas turkey, stuffed meats and fish. The PerfectRoast™ meat probe features three sensitive measuring points and uses the lowest temperature reading to determine the core temperature before calculating the residual cooking time. The results are simply perfect. Used manually or with Bosch Assist, you can modify the suggested core temperature (within a recommended range) and combine with microwave and steam cooking functions.

**AutoPilot automatic programs**

The AutoPilot program helps achieve the best possible results with very little effort. Just insert your dish, enter its weight and select the desired program from the menu. AutoPilot then determines the cooking mode, temperature and cooking duration.

Features may vary depending on models. Please check individual product specifications.

*Only works from a cold start. Do not open the door during the cooking process or you will have to continue manually.

Your favourite café is now open 24/7.

Latte, cappuccino or espresso? With the Series 8 built-in coffee machine, you can treat yourself and your guests to any beverage at the touch of a button. Bosch barista technology guarantees a full-bodied aroma and perfect crema – for coffees as delicious as those brewed by your favourite café.

SensoFlow System for a perfect aroma

The optimal brewing temperature for an espresso is between 90°C and 95°C. If the temperature is any higher or lower, the flavour of the beans is only partially released or the coffee is bitter. Our smart SensoFlow System heats the water to just the right temperature, for a full-bodied espresso aroma from the first to the last cup.

Your choice of coffee at the touch of a button

With the MyCoffee function, save your 8 favourite beverages with individual names. Innovative technology regulates the release of coffee, hot milk and foam to deliver the beverage of your choice at the touch of a button.

Automatic cleaning of the milk system

Now you can clean your coffee maker as easily as you prepare your morning pick-me-up. Each time you make a coffee drink with milk, the milk system is automatically rinsed out with a blast of steam. The coffee machine takes total charge of the milk system's daily maintenance, so that you can concentrate on enjoying your cappuccino or latte macchiato instead of cleaning.



Warming drawers

Our Series 8 warming drawers can do much more than just keep food and plates warm; they're also perfect for slow-cooking meat, defrosting frozen foods and proving dough.

The warming drawers from Bosch can be installed either separately or in combination with Series 8 ovens, compact ovens and our built-in automatic coffee machine. The practical 'push and pull' technology ensures they are always easy to open, even when you have both hands full. They are measured at 14cm height with 20 usable litres (net). Available in black or stainless steel.



Technology

Healthier enjoyment with Bosch steam ovens.

Food prepared with steam not only tastes wonderful, but it's also a healthier alternative to other cooking methods. With steam, food retains its original vitamins and aromas while releasing the full natural flavour. For added peace of mind, Bosch steam ovens have integrated water tanks, so no direct water connection is needed.



Serie | 8

HSG656XB6A



"Steam functions open up a world of new possibilities."

Incentivised review.

Combination steam oven

The best of both worlds, the Series 8 built-in oven (HSG656XB6A) has the power to use pure steam or add bursts of steam alongside conventional heating methods. Use the full steam function for gentle, healthy food preparation; perfect for fish, vegetables and even some desserts.

Compact ovens with steam

Bosch steam compacts come equipped with full steam and added steam functions. Having the ability to cook entirely with steam allows you to bring out the maximum nutrients from healthy ingredients. Small but great, these appliances come with everything you need.

Functions available with Full Steam



Steaming

Steaming at 30°C – 100°C for succulent dishes and preservation of colour, taste, vitamins and minerals.



Reheating

Reduce food waste by reheating at 80°C – 180°C, resulting in greater moisture and regeneration.



Dough proving

Whilst proving at approximately 40°C, dough will rise considerably faster than at room temperature.



Defrost

Low temperature steaming at 30°C – 60°C is ideal for defrosting delicate food such as cakes.



Sous-vide cooking

Vacuum-seal your food for slow cooking with steam, at a consistent low temperature ranging from 50°C – 95°C to enjoy maximum flavour. Intensify the taste with added herbs and oils. Suitable for meat, fish and vegetables.

Add bursts of steam for food that's crispy on the outside and juicy on the inside.

Say Goodbye to taking moisture into your own hands, no more using too much or too little water at the wrong stage of the cooking process. Thanks to the Bosch Added Steam function, dishes such as breads and roasts turn out crispy on the outside and juicy on the inside. Vegetables stay crisp, poultry and fish become juicy and tender.



Added steam function

Enhance your cooking results by adding the perfect amount of moisture to your dishes, thanks to the added steam function. With the option of three intensity levels; low, medium or high. Create succulent roasts and perfectly browned bread crusts with ease. Steam is introduced into the cooking compartment at varying intervals and degrees of intensity depending on the dish.

Ovens with added steam

Cooking results improve when moisture is added to the process. The Series 8 oven range with added steam function does exactly that. Through the combination of circulated hot air cooking and added moisture you can achieve perfect cooking results.

Serie | 8

HRG6769B2A



"Added steam gives us many more options with our cooking."

Incentivised review.

*Average rating for HRG6769B2A is 4.9 stars.

Added steam is compatible with selected heating functions



4D HotAir



Hot air grilling



Top/bottom heating



Keep warm



PerfectRoast™

Did you know?

For fast, efficient and even steam distribution throughout the cavity, the steam is released from the back panel right next to the ventilation fan.

The water tank can be accessed without opening the oven door - making it easy to refill and empty the water tank.



Technology

Bosch Microwaves and Microwave Ovens. Full enjoyment in just a short time.



Combination microwave ovens

Sometimes you just can't get the food on the table fast enough. All of our microwave ovens help you maintain perfect control over your menu and your schedule. Whether you're heating up baby food, pre-cooked meals or frozen foods, you'll get outstanding results quickly, hygienically and without compromising on taste. So instead of spending time waiting for dinner to be ready, you and your loved ones will have much more time to enjoy it.



Automatic functions to speed up your cooking

Heat, defrost or roast, your dishes using the Bosch microwave, with up to 1000 watts and a choice of five power levels for maximum performance. Additionally, these microwaves allow for grilling with up to 2000 watts. The AutoPilot program helps achieve the best possible results with very little effort. Just insert your roast, select the AutoPilot program, enter the roast's weight then press start and the oven does the rest.



Built-In Microwave

The 38cm niche built-in microwave can be used for thawing, heating and perfect preparation of food. With the AutoPilot 8 every dish is a perfect success thanks to the 8 pre-set automatic programs.

Gourmet results even when you're in a hurry.

The compact combination microwave oven enables you to achieve perfect baking and roasting results very quickly. Whether you want to bake, roast or simply heat up something tasty, the intelligent combination of convection heating and on-demand microwave gives you perfect results in less time.



Technology

Features and functions for everyday use.

**Half Trays**

The Series 6, 4 and 2 slim sized universal pans are ideal for preparing two versions of the same dish. They're also perfect for smaller quantities. For example, cook potato wedges on one slim tray and stuffed tomatoes on a second one. Because the trays are separated, the liquid from the tomatoes won't flow into the potatoes. And when dishes need to be refrigerated before or after cooking, they also fit inside Bosch refrigerators – as well as our dishwashers for cleaning.

**CoolTouch doors**

Bosch ovens meet the highest safety standards: The best Bosch CoolTouch oven doors reach a maximum temperature of only 30°C*. This means that curious children are even better protected against burns. The extra measure of safety is made possible by 30% better ventilation.

**Precise temperature control**

Electronic thermostats monitor the oven cavity temperature to maintain temperature consistency during the cooking process.

**SoftMove and SoftClose**

SoftMove on Series 8 and SoftClose on Series 6 models is a special damping mechanism. Oven doors open and close softer and quieter than ever. This convenient feature not only offers a premium finish, it also protects the oven and door during the life of the oven.

**Lighting**

Depending on the model, Bosch ovens and compact appliances offer our classic halogen lighting, LED ceiling light or the multi-level LED lighting.



Energy-efficient LED lighting offers vibrant illumination and longevity. The multi-level LED lighting offers illumination on each level, which is exceptionally convenient when baking on multiple levels.



Integrated halogen lighting ensures the interior cavity is brightly lit. More efficient than standard lights, they are durable and are designed to last longer.

**Telescopic rail system**

The Bosch telescopic rails are fully or partially extendable (depending on model) and are ideal for loading and removing trays with ease. Whether you choose a single or double rail option, all shelves are pyrolytic proof and compatible with microwave and steam cooking. Trays are also interchangeable between Series 8 full-sized ovens and compact appliances.

**ClipRail telescopic rails**

Standard shelf systems provide no more than three positions for telescopic rails. Bosch is now offering one telescopic rail system for all levels. These rails can be installed on any level – including the grill level for more convenient toasting. The level-independent rails are easy to install and uninstall. Therefore they can be easily clicked on a different level.

*Measured at the centre of the window after 1 hour with a 180°C oven temperature / top and bottom heat.

Features explained

Perfect baking and roasting not only requires the right temperature, but also the appropriate heating function too. From 4D HotAir to slow cooking, Bosch ovens offer heating functions that deliver everything from haute cuisine to everyday feasts.



4D HotAir*

Thanks to 4D HotAir, you can place your food on any shelf from level one to four, and the results will be consistently perfect. The rotating fan alternates its direction during cooking to distribute heat evenly on every level. And for reliable results 'top to bottom', you can also bake and roast on up to four different levels simultaneously. ^



3D HotAir

3D HotAir distributes the heat quickly and evenly throughout the entire oven cavity, allowing you to cook on up to three levels simultaneously. It's especially convenient when you need to cook both sweet and savoury dishes simultaneously without intermingling the flavours.



HotAir Eco/Gentle

HotAir Eco/Gentle uses less energy by using a single tray. This energy-efficient function distributes less heat into the oven and uses residual heat to maintain the set temperature.



Top and bottom heating*

Uses both the upper and lower heating elements. Heat travels to the centre of the oven, which is the best position to obtain the selected temperature. Suitable for traditional baking and roasting, and offers best results for cakes with moist toppings.



Top and bottom heat Eco

In addition to the top and bottom heat function, selected Series 8 ovens feature an eco-friendly mode, which supports cooking on a single shelf for energy-efficient cooking. Prepare perfect sponges, pound cakes, delicate pastries and bread rolls while saving valuable energy.



Bottom heating

For cooking in a bain-marie and for the final baking stage. The heat is emitted from the lower heating element.



Intensive heating

Combines the top element with a more powerful bottom heating element that is perfect for crispy bases and baking in tins.



Hot air grilling*

Achieve rotisserie-style cooking for meat and poultry. The grill and fan alternate, which produces even and crisp cooking results.



Grill, small area or large area

For grilling flat items, such as steaks and sausages, for making toast, and for cooking a gratin.



Pizza setting

Create crispy pizzas or give any dish that extra heat that's needed from underneath by using a combination of heating elements.



Keep warm*

A feature that keeps cooked food warm.



Slow cooking

For gentle and slow cooking of seared, tender pieces of meat in ovenware without a lid.



Preheat ovenware

A feature that is useful for preheating ovenware and even dinnerware.



Drying

A function for drying fruits, vegetables and herbs with maximum flavour. This function can also be used for drying out the oven cavity after the added steam function has been used.



Sabbath mode

Set a maximum timer of up to 74 hours using the Sabbath function. You can keep the food in the cooking compartment warm without having to switch the oven on or off.



Rapid heating

With rapid heating, you can shorten the heat-up time for selected heating functions, including 4D HotAir and top and bottom heating.



Fan forced hot air

A fan disperses heat evenly for cakes and pastries baked on two levels.



Fan assisted top and bottom heating

Uses both upper and lower heating elements while a fan disperses heat evenly.



Defrost

Perfect for gentle defrosting of meat, poultry, bread and much more.



Reheating*

For plated meals and baked items. Cooked food is gently reheated. The steam ensures the food does not dry out.



Dough proving*

For yeast dough and sourdough. Dough will rise considerably quicker than at room temperature. The surface of the dough does not dry out.



Sous Vide

Cooks vacuum-sealed food at low temperatures and 100% steam. Retaining nutrients and flavours.

Cleaning

At last, someone in the house who enjoys cleaning up.

Anyone who has ever cleaned an oven by hand knows how exhausting and time-consuming it can be. This chore is now a thing of the past, thanks to pyrolytic self-cleaning and EcoClean Direct.

Pyrolytic self-cleaning: the oven that cleans itself

During the pyrolytic cleaning function, the oven heats up to 480°C to burn off grease and food residue*. This achieves thorough cleaning results with minimal effort.

Simply follow these 3 steps:

1. Activate the pyrolytic cleaning function.
2. Choose from three different cleaning levels, depending on the degree of residue that has accumulated.
3. Once the program is finished, wipe off the thin layer of ash in the base of the oven.



EcoClean Direct: makes cleaning easier

While your dishes bake or roast, the special direct coating of microfine ceramic particles on the oven cavity walls absorbs grease and residue and breaks them down through oxidation.

Simply follow the below steps and reduce your cleaning time significantly*:

1. Activate the EcoClean Direct cleaning program.
2. Once completed, clean remaining surfaces that don't have the special coating.
3. Wipe the base of the oven and inside of the glass door.



Universal pan and baking tray with ceramic non-stick coating

In addition to the classic universal pan, Bosch offers a universal pan and baking tray with a ceramic non-stick coating. This special non-stick coating makes the surface easy to clean. And the ceramic coating has another advantage: You no longer need to use parchment paper or to grease the tray, which makes baking, roasting and cleaning much easier.



*Please remove all accessories when activating the specific EcoClean Direct program.

#Metal racks may show slight discolouration after prolonged use of the pyrolytic function. To prevent this you may choose to remove the wire racks during the pyrolytic cycle. Features may vary depending on models. Please check individual product specifications.



Serie | 8 Black glass oven range

Combination steam ovens.

Conventional ovens.



HSG656XB6A 60x60cm Combination Steam Oven with Full and Added Steam

Key Features

- ▶ 17 heating functions
- ▶ 71 litres (net) cavity volume
- ▶ 5 shelf positions
- ▶ TFT Touch Graphic Display
- ▶ Multi-level pure steaming – 1 litre removable water tank with empty tank indicator

Cleaning

- ▶ EcoClean Direct: rear wall, side walls and ceiling
- ▶ Drying function
- ▶ Descaling program

Convenience

- ▶ SoftMove door
- ▶ Temperature display
- ▶ Automatic temperature proposal
- ▶ Multi-level LED lighting
- ▶ Bosch Assist
- ▶ PerfectRoast™ 3 point meat probe
- ▶ PerfectBake™ sensor
- ▶ 3-level telescopic rails

Safety

- ▶ Triple-glazed door
- ▶ Child lock (controls & door)
- ▶ Residual heat indicator

Supplied Accessories

- ▶ 2 wire racks
- ▶ 1 universal pan
- ▶ 1 grill tray
- ▶ 1 non-perforated steam tray
- ▶ 2 perforated steam trays

HRG6769B2A 60x60cm Pyrolytic Oven with Added Steam

Key Features

- ▶ 17 heating functions
- ▶ 71 litres (net) capacity
- ▶ 5 shelf positions
- ▶ TFT Touch Graphic Display
- ▶ Added steam – 1 litre removable water tank with empty tank indicator

Cleaning

- ▶ Pyrolytic self-cleaning
- ▶ Drying function
- ▶ Descaling program

Convenience

- ▶ SoftMove door
- ▶ Temperature display
- ▶ Automatic temperature proposal
- ▶ Multi-level LED lighting
- ▶ Bosch Assist
- ▶ PerfectRoast™ 3 point meat probe
- ▶ PerfectBake™ sensor
- ▶ 3-level telescopic rails (pyro-proof)

Safety

- ▶ Quadruple-glazed CoolTouch door
- ▶ Child lock (controls & door)
- ▶ Residual heat indicator

Supplied Accessories

- ▶ 2 wire racks
- ▶ 1 universal pan (pyro-proof)
- ▶ 1 grill tray (pyro-proof)

HBG6753B1A 60x60cm Pyrolytic Oven

Key Features

- ▶ 13 heating functions
- ▶ 71 litres (net) capacity
- ▶ 5 shelf positions
- ▶ TFT Touch Symbol Display

Cleaning

- ▶ Pyrolytic self-cleaning

Convenience

- ▶ SoftMove door
- ▶ Temperature display
- ▶ Automatic temperature proposal
- ▶ Halogen lighting
- ▶ AutoPilot10: 10 automatic programs
- ▶ 2-level telescopic rails (pyro-proof)

Safety

- ▶ Quadruple-glazed CoolTouch door
- ▶ Child lock (controls & door)
- ▶ Residual heat indicator

Supplied Accessories

- ▶ 2 wire racks
- ▶ 1 universal pan (pyro-proof)
- ▶ 1 grill tray (pyro-proof)

Dimensions (HxWxD)
595 x 594 x 548mm



HBG675BB2A
60x60cm Pyrolytic Oven

Key Features

- ▶ 13 heating functions
- ▶ 71 litres (net) capacity
- ▶ 5 shelf positions
- ▶ TFT Touch Symbol Display

Cleaning

- ▶ Pyrolytic self-cleaning

Convenience

- ▶ SoftMove door
- ▶ Temperature display
- ▶ Automatic temperature proposal
- ▶ Halogen lighting
- ▶ AutoPilot10: 10 automatic programs

Safety

- ▶ Quadruple-glazed CoolTouch door
- ▶ Child lock (controls & door)
- ▶ Residual heat indicator

Supplied Accessories

- ▶ 2 wire racks
- ▶ 1 universal pan (pyro-proof)
- ▶ 1 grill tray (pyro-proof)

HBG633BB1B
60x60cm EcoClean Direct Oven

Key Features

- ▶ 10 heating functions
- ▶ 71 litres (net) capacity
- ▶ 5 shelf positions
- ▶ TFT Touch Symbol Display

Cleaning

- ▶ EcoClean Direct: rear wall

Convenience

- ▶ SoftMove door
- ▶ Temperature display
- ▶ Automatic temperature proposal
- ▶ Halogen lighting

Safety

- ▶ Triple-glazed door
- ▶ Child lock (controls)
- ▶ Residual heat indicator

Supplied Accessories

- ▶ 2 wire racks
- ▶ 1 universal pan
- ▶ 1 grill tray

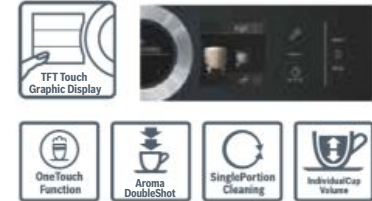
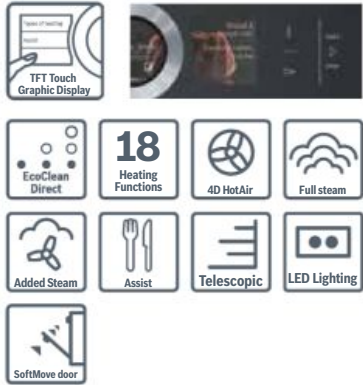
Dimensions (HxWxD)
595 x 594 x 548mm

Serie | 8 Black glass compact range

Combination compact ovens.



Coffee machine.



CSG656RB1A 60x45cm Combination Steam Oven

Key Features

- ▶ 18 heating functions
- ▶ 47 litres (net) capacity
- ▶ 3 shelf positions
- ▶ TFT Touch Graphic Display
- ▶ Multi-level pure steaming – 1 litre removable water tank with empty tank indicator

Cleaning

- ▶ EcoClean Direct: rear wall, side walls and ceiling
- ▶ Drying function
- ▶ Descaling program

Convenience

- ▶ SoftMove door
- ▶ Temperature display
- ▶ Automatic temperature proposal
- ▶ LED lighting
- ▶ Bosch Assist
- ▶ PerfectRoast™ 3 point meat probe
- ▶ PerfectBake™ sensor
- ▶ 1-level telescopic rails

Safety

- ▶ Triple-glazed door
- ▶ Child lock (controls)
- ▶ Residual heat indicator

Supplied Accessories

- ▶ 2 wire racks
- ▶ 1 universal pan
- ▶ 1 non-perforated steam tray
- ▶ 2 perforated steam trays

Dimensions (HxWxD) 455 x 594 x 548mm

CMG633BB1A 60x45cm Combination Microwave Oven

Key Features

- ▶ 7 heating functions
- ▶ 45 litres (net) capacity
- ▶ 3 shelf positions
- ▶ TFT Touch Symbol Display
- ▶ Conventional cooking combined with microwave (up to 900W power)

Convenience

- ▶ SoftMove door
- ▶ Temperature display
- ▶ Automatic temperature proposal
- ▶ LED lighting
- ▶ AutoPilot14: 14 automatic programs

Safety

- ▶ Triple-glazed door
- ▶ Child lock (controls)
- ▶ Residual heat indicator

Supplied Accessories

- ▶ 1 wire rack
- ▶ 1 universal pan

CTL636EB6 60x45cm Built-in Coffee Machine

Key Features

- ▶ One-touch preparation
- ▶ AromaPro Concept: Optimal aroma extraction
- ▶ SensoFlow System
- ▶ TFT Touch Graphic Display

Hygiene

- ▶ Removable brewing unit
- ▶ AutoMilk Clean

Convenience

- ▶ MyCoffee function
- ▶ CoffeeSensor Pro: Automatically adjusts grinding unit to bean variety
- ▶ SilentCeram Drive: Quiet, premium grinder made from non-wearing ceramic

Supplied Accessories

- ▶ 1 BRITA water filter cartridge
- ▶ 1 measuring spoon
- ▶ 1 milk container, connection hose and pipe
- ▶ 1 test strip
- ▶ 1 set assembly screws

Dimensions (HxWxD)
455 x 594 x 375mm

Warming drawer.



Available
in
October.



BIC630NB1A 60cm Warming Drawer

Key Features

- ▶ 40°C–80°C temperature control
- ▶ 20 litres (net) capacity

Convenience

- ▶ Fully extendable telescopic drawer
- ▶ Ceramic-glass base element
- ▶ Suitable for: plate warming, keep warm, slow cooking, defrost and proving dough

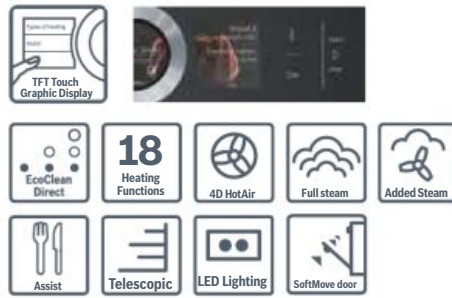
Dimensions (HxWxD)
140 x 594 x 548mm



Serie | 8 Stainless steel oven and compact range

Combination steam oven.

Combination compact ovens.



HRG675BS1B 60x60cm Pyrolytic Oven with Added Steam

Key Features

- ▶ 15 heating functions
- ▶ 71 litres (net) cavity volume
- ▶ 5 shelf positions
- ▶ TFT Touch Symbol Display
- ▶ Added steam – 1 litre removable water tank with empty tank indicator

Cleaning

- ▶ Pyrolytic self-cleaning

Convenience

- ▶ SoftMove door
- ▶ Temperature display
- ▶ Automatic temperature proposal
- ▶ Multi-level LED lighting
- ▶ AutoPilot20: 20 automatic programs

Safety

- ▶ Quadruple-glazed CoolTouch door
- ▶ Child lock (controls & door)
- ▶ Residual heat indicator

Supplied Accessories

- ▶ 2 wire racks
- ▶ 1 universal pan (pyro-proof)

Dimensions (HxWxD)
595 x 594 x 548mm

CSG656RS2A 60x45cm Combination Steam Oven

Key Features

- ▶ 18 heating functions
- ▶ 47 litres (net) capacity
- ▶ 3 shelf positions
- ▶ TFT Touch Graphic Display
- ▶ Multi-level pure steaming – 1 litre removable water tank with empty tank indicator

Cleaning

- ▶ EcoClean Direct: rear wall, side walls and ceiling
- ▶ Drying function
- ▶ Descaling program

Convenience

- ▶ SoftMove door
- ▶ Temperature display
- ▶ Automatic temperature proposal
- ▶ LED lighting
- ▶ Bosch Assist
- ▶ PerfectRoast™ 3 point meat probe
- ▶ PerfectBake™ sensor
- ▶ 1-level telescopic rails

Safety

- ▶ Triple-glazed door
- ▶ Child lock (controls)
- ▶ Residual heat indicator

Supplied Accessories

- ▶ 1 wire rack
- ▶ 1 universal pan
- ▶ 1 non-perforated steam tray
- ▶ 2 perforated steam trays

Dimensions (HxWxD) 455 x 594 x 548mm

CMG633BS1B 60x45cm Combination Microwave Oven

Key Features

- ▶ 7 heating functions
- ▶ 45 litres (net) capacity
- ▶ 3 shelf positions
- ▶ TFT Touch Symbol Display
- ▶ Conventional cooking combined with microwave (up to 900W power)

Cleaning

- ▶ SoftMove door

Convenience

- ▶ SoftMove door
- ▶ Temperature display
- ▶ Automatic temperature proposal
- ▶ LED lighting
- ▶ AutoPilot14: 14 automatic programs

Safety

- ▶ Triple-glazed door
- ▶ Child lock (controls)
- ▶ Residual heat indicator

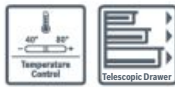
Supplied Accessories

- ▶ 1 wire rack
- ▶ 1 universal pan

Coffee machine.



Warming drawer.



CTL636ES6 60x45cm Built-in Coffee Machine

Key Features

- ▶ One-touch preparation
- ▶ AromaPro Concept: Optimal aroma extraction
- ▶ SensoFlow System
- ▶ TFT Touch Graphic Display

Hygiene

- ▶ Removable brewing unit
- ▶ AutoMilk Clean

Convenience

- ▶ MyCoffee function
- ▶ CoffeeSensor Pro: Automatically adjusts grinding unit to bean variety
- ▶ SilentCeram Drive: Quiet, premium grinder made from non-wearing ceramic

Supplied Accessories

- ▶ 1 BRITA water filter cartridge
- ▶ 1 measuring spoon
- ▶ 1 milk container, connection hose and pipe
- ▶ 1 test strip
- ▶ 1 set assembly screws

Dimensions (HxWxD)
455 x 594 x 375mm

BIC630NS1A 60cm Warming Drawer

Key Features

- ▶ 40°C–80°C temperature control
- ▶ 20 litres (net) capacity

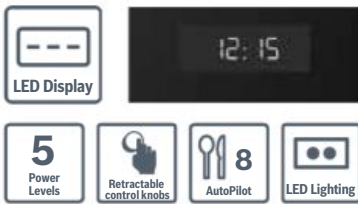
Convenience

- ▶ Fully extendable telescopic drawer
- ▶ Ceramic-glass base element
- ▶ Suitable for: plate warming, keep warm, slow cooking, defrost and proving dough

Dimensions (HxWxD)
140 x 594 x 548mm

Serie | 6

Microwave.



BEL554MS0A 60cm Built-in Microwave

Key Features

- ▶ 5 microwave power levels up to 900W
- ▶ 25 litres (net) capacity
- ▶ Grill function with up to 1200W
- ▶ LED Display

Convenience

- ▶ Retractable control knobs
- ▶ LED lighting
- ▶ Electronic clock/timer with end-time programming
- ▶ AutoPilot 8: 8 automatic programs

Safety

- ▶ Single-glazed door

Supplied Accessories

- ▶ 1 grid high
- ▶ 1 turntable

Dimensions (HxWxD)
382 x 594 x 388 mm

Serie | 4 Stainless steel oven range

Pyrolytic oven.



HBA574BS0A 60x60cm Pyrolytic Oven

Key Features

- ▶ 7 heating functions
- ▶ 71 litres (net) capacity
- ▶ 5 shelf positions
- ▶ LED Display

Cleaning

- ▶ Pyrolytic self-cleaning

Convenience

- ▶ Retractable control knobs
- ▶ Halogen lighting
- ▶ Electronic clock/timer with end-time programming
- ▶ Temperature display
- ▶ AutoPilot 10: 10 automatic programs

Safety

- ▶ Quadruple-glazed CoolTouch door
- ▶ Child lock (controls & door)

Supplied Accessories

- ▶ 2 wire racks
- ▶ 1 universal pan
- ▶ 1 split grill tray

Dimensions (HxWxD)
595 x 594 x 548mm

EcoClean oven.



HBA534ES0A 60x60cm EcoClean Direct Oven

Key Features

- ▶ 7 heating functions
- ▶ 71 litres (net) capacity
- ▶ 5 shelf positions
- ▶ LED Display

Cleaning

- ▶ EcoClean Direct: rear wall

Convenience

- ▶ Retractable control knobs
- ▶ Halogen lighting
- ▶ Electronic clock/timer with end-time programming
- ▶ 1-level telescopic rails

Safety

- ▶ Triple-glazed door
- ▶ Child lock (controls)

Supplied Accessories

- ▶ 2 wire racks
- ▶ 1 universal pan
- ▶ 1 split grill tray

Serie | 2

EcoClean oven.



HBF133BS0A 60x60cm EcoClean Direct Oven

Key Features

- ▶ 5 heating functions
- ▶ 66 litres (net) capacity
- ▶ 5 shelf positions
- ▶ LED Display

Cleaning

- ▶ EcoClean Direct: rear wall

Convenience

- ▶ Retractable control knobs
- ▶ Halogen lighting
- ▶ Electronic clock/timer with end-time programming

Safety

- ▶ Triple-glazed door
- ▶ Child lock (controls)

Supplied Accessories

- ▶ 1 wire rack
- ▶ 1 universal pan
- ▶ 1 baking tray

Dimensions (HxWxD)
595 x 594 x 548mm





Large capacity ovens.
More room for your favourite dishes.



With up to 112 usable litres of oven capacity, you have even more space for roasting and baking your favourite dishes. The larger capacity, combined with Bosch HotAir even heat distribution means you can cook simultaneously on all levels. The wider trays provide more surface area for roasting big batches of potatoes and vegetables. This makes our 90cm ovens perfect for entertaining your friends and family.

90cm ovens



XXL Cavity – 112 usable litres

The full-size 90cm oven offers 112 usable litres of cooking space and larger baking trays. The increased cavity creates uniform baking results on up to five levels due to the improved heat circulation between the racks.

XL Cavity – 85 usable litres

The compact 90cm oven models have an interior capacity of 85 usable litres. It also comes with the large baking trays which can be used on up to four levels.

Double ovens



Enjoy the convenience of cooking multiple dishes at the same time with our double ovens. Perfect for entertainers or large families.

Choosing a double oven can also be a great way to save energy; if you would like to cook a small meal, you have the flexibility of just using the smaller cavity oven.

90cm oven range

Pyrolytic oven.

Compact 90cm ovens.

Serie | 6



VBD578FS0 90x60cm Pyrolytic Oven

Key Features

- ▶ 10 heating functions
- ▶ 112 litres (net) capacity
- ▶ 5 shelf positions
- ▶ LCD Display
- ▶ 1 rotisserie kit

Cleaning

- ▶ Pyrolytic self-cleaning

Convenience

- ▶ Retractable control knobs
- ▶ Halogen lighting
- ▶ Electronic clock/timer with end-time programming
- ▶ 1 ClipRail telescopic rails
- ▶ Temperature display

Safety

- ▶ Quadruple-glazed CoolTouch door
- ▶ Child lock (controls & door)
- ▶ Residual heat indicator

Supplied Accessories

- ▶ 2 wire racks
- ▶ 1 universal pan
- ▶ 1 baking tray
- ▶ 1 universal pan insert grid

Dimensions (HxWxD)
594 x 896 x 570mm



VBC578FS0 90x48cm Pyrolytic Oven

Key Features

- ▶ 10 heating functions
- ▶ 85 litres (net) capacity
- ▶ 4 shelf positions
- ▶ LCD Display
- ▶ 1 rotisserie kit

Cleaning

- ▶ Pyrolytic self-cleaning

Convenience

- ▶ Retractable control knobs
- ▶ Halogen lighting
- ▶ Electronic clock/timer with end-time programming
- ▶ 1 ClipRail telescopic rails
- ▶ Temperature display

Safety

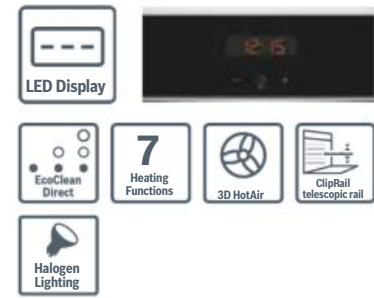
- ▶ Quadruple-glazed CoolTouch door
- ▶ Child lock (controls & door)
- ▶ Residual heat indicator

Supplied Accessories

- ▶ 2 wire racks
- ▶ 1 universal pan
- ▶ 1 baking tray
- ▶ 1 universal pan insert grid

Dimensions (HxWxD) 475 x 896 x 572mm

Serie | 4



VBC5540S0 90x48cm EcoClean Direct Oven

Key Features

- ▶ 7 heating functions
- ▶ 85 litres (net) capacity
- ▶ 4 shelf positions
- ▶ LED Display

Cleaning

- ▶ EcoClean Direct: rear wall and side walls

Convenience

- ▶ Retractable control knobs
- ▶ Halogen lighting
- ▶ Electronic clock/timer with end-time programming
- ▶ 1 ClipRail telescopic rails

Safety

- ▶ Triple-glazed door
- ▶ Child lock (controls)
- ▶ Residual heat indicator

Supplied Accessories

- ▶ 1 wire rack
- ▶ 1 universal pan
- ▶ 1 baking tray

Double oven range

Serie | 6

Serie | 4



MBG578S0A 60x89cm Pyrolytic Double Oven

Key Features

- ▶ LCD display
- Top Oven**
 - ▶ 4 functions
 - ▶ 34 litres (net) cavity volume
 - ▶ 3 shelf positions
- Bottom Oven**
 - ▶ 10 functions
 - ▶ 71 litres (net) cavity volume
 - ▶ 5 shelf positions

Cleaning

- ▶ Pyrolytic self-cleaning (top and bottom oven)

Convenience

- ▶ Retractable control knobs
- ▶ Halogen lighting (top & bottom)
- ▶ Electronic clock/timer with end-time programming
- ▶ 1 ClipRail telescopic rails
- ▶ Temperature display
- ▶ AutoPilot 30: 30 automatic programs
- ▶ Single point meat probe
- ▶ SoftClose door
- ▶ Automatic temperature proposal

Safety

- ▶ Quadruple-glazed CoolTouch door (top & bottom)
- ▶ Child lock (controls & door)

Supplied Accessories

- ▶ 2 wire racks
- ▶ 1 universal pan
- ▶ 1 split grill tray

MBA534BS0A 60x89cm EcoClean Direct Double Oven

Key Features

- ▶ LED display
- Top Oven**
 - ▶ 3 functions
 - ▶ 34 litres (net) cavity volume
 - ▶ 3 shelf positions
- Bottom Oven**
 - ▶ 7 functions
 - ▶ 71 litres (net) cavity volume
 - ▶ 5 shelf positions

Cleaning

- ▶ EcoClean Direct: rear wall

Convenience

- ▶ Retractable control knobs
- ▶ Halogen lighting (ceiling)
- ▶ Electronic clock/timer with end-time programming

Safety

- ▶ Triple-glazed door (top & bottom)
- ▶ Child lock (controls)

Supplied Accessories

- ▶ 2 wire racks
- ▶ 1 universal pan
- ▶ 1 split grill tray

Dimensions (HxWxD) 888 x 594 x 550mm

Overview

Freestanding cookers from Bosch let you plan your kitchen the way you want.

With a Bosch freestanding cooker, you can be totally flexible in your kitchen layout and in the way you cook. Our models combine the latest ovens and cooktops in one appliance with perfect precision. Induction cooktops allow for faster and more flexible cooking, electric cooktops ensure maximum convenience and our gas cooktops let you cook like a professional.

Freestanding cookers with gas cooktops

Professionally fired up.



High-power wok burner

The powerful wok burner provides up to 14 MJ/h. It is suitable for use with flat-based pans or with a wok using the wok ring provided.



Cast-iron supports

Cast-iron pan supports are both stylish and highly durable, providing solid and robust support for your cooking pans.

Freestanding cookers with induction cooktops

Flexible on the outside, intelligent on the inside.



CombiZone

With CombiZone you have the freedom to use your biggest pans and trays for more adventurous cooking. Switching from small to large pans is as simple as a single touch that merges two standard zones into one large cooking zone.



MoveMode

When your recipe requires you to switch from boil to simmer at just the right moment, MoveMode is perfect for you. Switch from level 9 to level 1 by simply sliding your pot. MoveMode lets you move seamlessly from your first high-powered cooking task to the next. You are always in control.



Practical drawer for more storage space for your kitchen utensils.

Our oven features

Fit every kitchen and every need.



3D HotAir
3D HotAir distributes the heat quickly and evenly throughout the entire oven cavity, allowing you to cook on up to three levels simultaneously.



AutoPilot with up to 30 automatic programs
The AutoPilot program helps achieve the best possible results with very little effort. Just insert your dish, enter its weight and select the desired program from the menu.



Rotary spit
The rotary spit is ideal for grilling large roasts, such as rolled roasting joints or poultry. The meat becomes crispy, well-browned and cooked evenly. Uniform grilling from all sides – easily done in your kitchen.



CoolTouch door and child lock
For added safety, selected Bosch freestanding cookers are fitted with quadruple-glazed CoolTouch doors. The reflective inner glass is designed to keep heat in, while providing a safe-to-touch door on the outside. Child lock doors and displays make the cookers even safer.

Pyrolytic self-cleaning:
the oven that cleans itself.

During the pyrolytic cleaning function, the oven heats up to 480°C to burn off grease and food residue. Once the program is finished, simply wipe off the thin layer of ash in the base of the oven.

Freestanding cookers

Serie | 8



HSB838357A
90x90cm Freestanding Dual Fuel Pyrolytic Cooker

Oven
Key Features

- ▶ 10 heating functions
- ▶ 112 litres (net) capacity
- ▶ 5 shelf positions
- ▶ LED Display

Cleaning

- ▶ Pyrolytic self-cleaning

Convenience

- ▶ Height adjustable legs by 50mm
- ▶ 21cm utensil drawer
- ▶ 2 Halogen lights (left & right)
- ▶ Electronic clock/timer
- ▶ 1-level telescopic rails
- ▶ SoftClose door

Safety

- ▶ Quadruple-glazed CoolTouch door
- ▶ Child lock (controls & door)
- ▶ Residual heat indicator

Cooktop
Key Features

- ▶ 6 gas burners:
 - 1 x 14 MJ/h wok burner
 - 1 x high-speed burner
 - 2 x standard burners
 - 2 x economy burners

- ▶ Suitable for NG (ex factory) and LPG (via included conversion kit)

Convenience

- ▶ One-hand electronic ignition via controls
- ▶ Continuous enamelled cast-iron trivets with rubber feet

Safety

- ▶ Flame failure device fitted to each burner

Dimensions (HxWxD)
900 x 898 x 600mm

Serie | 6



HSB738357A
90x90cm Freestanding Dual Fuel Cooker

Oven
Key Features

- ▶ 8 heating functions
- ▶ 112 litres (net) capacity
- ▶ 5 shelf positions
- ▶ LED Display

Cleaning

- ▶ Catalytic liners: rear wall and side walls

Convenience

- ▶ Height adjustable legs by 50mm
- ▶ 21cm utensil drawer
- ▶ 2 Halogen lights (left & right)
- ▶ Electronic clock/timer
- ▶ 1-level telescopic rails

Safety

- ▶ Triple-glazed door
- ▶ Child lock (controls)
- ▶ Residual heat indicator

Cooktop
Key Features

- ▶ 6 gas burners:
 - 1 x 14 MJ/h wok burner
 - 1 x high-speed burner
 - 2 x standard burners
 - 2 x economy burners

- ▶ Suitable for NG (ex factory) and LPG (via included conversion kit)

Convenience

- ▶ One-hand electronic ignition via controls
- ▶ Continuous enamelled cast-iron trivets with rubber feet

Safety

- ▶ Flame failure device fitted to each burner

Dimensions (HxWxD)
900 x 898 x 600mm



HLS79R350A
60x85cm Freestanding Induction/Pyrolytic Cooker

Oven
Key Features

- ▶ 8 heating functions
- ▶ 66 litres (net) capacity
- ▶ 5 shelf positions
- ▶ LCD Display

Cleaning

- ▶ Pyrolytic self-cleaning

Convenience

- ▶ Height adjustable legs by 50mm
- ▶ 21cm utensil drawer
- ▶ Halogen lighting
- ▶ Electronic clock/timer
- ▶ Retractable knobs
- ▶ SoftClose door
- ▶ Temperature display
- ▶ AutoPilot 30: 30 automatic programs
- ▶ Automatic temperature proposal

Safety

- ▶ Quadruple-glazed CoolTouch door
- ▶ Child lock (controls & door)
- ▶ Automatic safety switch off

Cooktop
Key Features

- ▶ 4 induction cooking zones: 2 combinable zones 'CombiZone' for large pans
- ▶ 17 power levels
- ▶ PowerBoost for each zone

Cleaning

- ▶ WipeProtection

Convenience

- ▶ MoveMode, QuickStart, ReStart
- ▶ Dual timer with automatic switch-off
- ▶ Energy consumption display

Safety

- ▶ 2-stage residual heat indicator
- ▶ Child lock

Dimensions (HxWxD)
850 x 600 x 600mm

Serie | 4



HKS79R250A 60x85cm Freestanding Ceramic/Pyrolytic Cooker

Oven

Key Features

- ▶ 8 heating functions
- ▶ 63 litres (net) capacity
- ▶ 5 shelf positions
- ▶ LCD Display

Cleaning

- ▶ Pyrolytic self-cleaning

Convenience

- ▶ Height adjustable legs by 50mm
- ▶ 21cm utensil drawer
- ▶ Halogen lighting
- ▶ Electronic clock/timer
- ▶ Retractable knobs
- ▶ SoftClose door
- ▶ Temperature display
- ▶ AutoPilot 30: 30 automatic programs

Safety

- ▶ Quadruple-glazed CoolTouch door
- ▶ Child lock (controls & door)
- ▶ Automatic safety switch off

Cooktop

Key Features

- ▶ 4 QuickTherm cooking zones: 1 dual circuit zone, 1 dual circuit/extended roasting zone
- ▶ 9 power levels

Convenience

- ▶ Electronic +/- touch-controls and timer for each zone (cooktop)

Safety

- ▶ 2-stage residual heat indicator
- ▶ Child lock



HXR39K150A 60x85cm Freestanding Dual Fuel Cooker

Oven

Key Features

- ▶ 7 heating functions
- ▶ 66 litres (net) capacity
- ▶ 5 shelf positions
- ▶ LED Display

Cleaning

- ▶ Catalytic liners: rear wall, side walls and ceiling

Convenience

- ▶ Height adjustable legs by 50mm
- ▶ 21cm utensil drawer
- ▶ Halogen lighting
- ▶ Electronic clock/timer
- ▶ Retractable knobs
- ▶ SoftClose door
- ▶ 2-level telescopic rails

Safety

- ▶ Triple-glazed door
- ▶ Child lock (controls)

Cooktop

Key Features

- ▶ 4 gas burners:
 - 1 x 13.5 MJ/h wok burner
 - 2 x standard burners
 - 1 x economy burner

Convenience

- ▶ One-hand electronic ignition via controls
- ▶ Enamelled cast-iron trivets with rubber feet

Safety

- ▶ Flame failure device fitted to each burner



HXU09AH50A 60x85cm Freestanding Dual Fuel Cooker

Oven

Key Features

- ▶ 8 heating functions
- ▶ 66 litres (net) capacity

Cleaning

- ▶ EcoClean Direct: rear wall

Convenience

- ▶ Height adjustable legs by 50mm
- ▶ Halogen lighting
- ▶ Retractable knobs

Safety

- ▶ Triple-glazed door

Cooktop

Key Features

- ▶ 4 gas burners:
 - 1 x 13.6 MJ/h wok burner
 - 2 x standard burners
 - 1 x economy burner

Convenience

- ▶ One-hand electronic ignition via controls
- ▶ Steel pan supports with rubber feet

Safety

- ▶ Flame failure device fitted to each burner

Dimensions (HxWxD)
850 x 600 x 600mm



Cooktops



Cooktops | Induction

The best cooking needs just one ingredient: Bosch.

Modern cooking offers so many wonderful new tastes and textures, you need a cooktop that's flexible enough to keep up.

Serie | 8

PXE875DC1E



"Easy to clean and temperature control is almost instant."

Incentivised review.

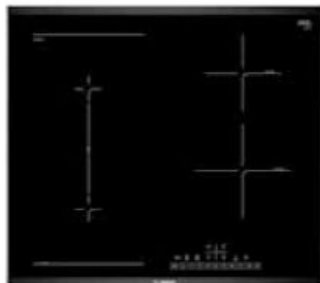
**Average rating for PXE875DC1E is 4.6 stars.*





Bosch FlexInduction®

The ultimate Bosch Induction experience. Unique technology provides even heating across the entire FlexZone. The FlexZone can be used as two separate zones or combined into a single 'super-zone' where the entire zone becomes your cooking canvas.



Bosch CombiInduction®

Experience the magic of CombiZone – two cooking zones can be linked, making the switch from small to large pans effortless. Plus, the MoveMode function automatically switches from boil to simmer with a simple slide of the saucepan.

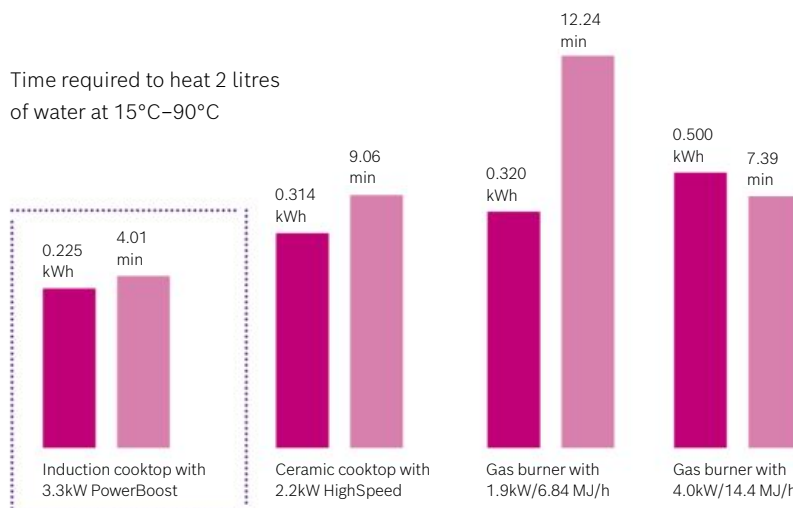


Bosch Induction

Bosch's benchmark Induction cooktops put you in control with 17 power levels plus PowerBoost for each zone, dual function timer with automatic switch-off, residual heat indicators, child lock and more.

Induction speeds up your cooking

Induction cooktops offer the most efficient way of cooking at lower temperatures, ie. melting chocolate, etc.



Source: BSH Hausgeräte GmbH, Germany (overseas test results)

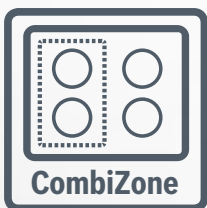
Old pots, new technology

Most of your home pots will also work with induction if they have a magnetic base. All pots and pans with ferromagnetic bases are suitable for induction. So, if a fridge magnet sticks to your pot, you know it's induction-ready. In general, special stainless steel, iron and enamel are all suitable.

The 2-in-1 cooktop with integrated ventilation

For some, it's a **cooktop** that ventilates perfectly.

For others, it's a **rangehood** that also cooks perfectly.



CombiZone

If you need more space for a long single piece of cookware, such as a roaster, you can combine two individual cooking zones into one large one with a combined heat level at the touch of a button with CombiZone. The CombiZone is perfect for Teppan Yaki plates.



DirectSelect 1.0 touch control.

Easy to understand, even easier to use: the intuitive operation lets you select cooking zones with ease and directly set the desired individual temperature levels. Adjusting the ventilation level is just as easy.



QuickStart and ReStart.

Just start cooking: the new QuickStart function detects where you have placed the pot and automatically displays the corresponding cooking zone on the control interface. You can get started straight away and select the desired cooking level for your pot without delay.



A perfect kitchen serves many functions: relaxed cooking, eating, or simply sitting down with family and friends. To allow you more freedom and flexibility in designing your kitchen, we've developed a 2-in-1 cooktop with integrated ventilation. This appliance combines the latest technologies of our **induction cooktops** and **rangehoods** in a **single appliance**.



Even if something goes wrong, everything turns out right.

In the event of a spill or water boiling over, the integrated ventilation module is well prepared for every mishap, large or small. The raised air intake grill keeps out overflowing liquids. In the unlikely event that liquid does enter the module, it is diverted to a reservoir that easily holds up to 200ml. In the unlikely event of a larger spill, another safety reservoir accommodates up to two litres, ensuring optimal protection of the appliance. And if you spill even more liquid, don't worry – the motor is so robust that neither water nor oil can damage it.

Superior technology.

Cooking steam rises at a maximum speed of one meter per second. The Bosch 2-in-1 cooktop with integrated ventilation, however, generates a powerful cross-current. As a result, the steam is extracted directly from your pots, pans or roasters and never has a chance to rise. This means that the integrated ventilation module operates extremely efficiently and allows far fewer grease and odour particles into the room, protecting your furniture and fabrics.

The EcoSilence Drive® motor.

Cuts electricity, not performance.

The brushless EcoSilence Drive® is driven by a permanent magnet, which means it's subject to neither friction nor wear. This also means your ventilation module has an extraordinarily long service life, extreme efficiency, and low noise. Optimised air flow inside the ventilation module reduces operating noise – even at full power.



PerfectFry™ sensor

Anyone can cook. Now everyone can cook perfectly.

In addition to using premium quality beef, the most important step in frying the perfect steak is to heat the pan to the ideal temperature. If the pan is too hot, even the best cut of meat fries too quickly or even burns. Regardless of how you like your steak, from now on it's easy to fry it to perfection with our PerfectFry™ sensor. While the steak is frying, the sensor integrated in the cooktop continuously monitors the temperature of the pan and precisely adjusts it as needed. Whether you prefer rare, medium, or well-done, your steak is always cooked perfectly.



Here's a shortcut to your perfect steak. The PerfectFry™ sensor – how it works:







- 1 Select your desired cooking zone.
- 2 Simply activate PerfectFry™ via the controls.
- 3 Finally, select the optimal temperature level. The cooktop now heats the pan and notifies you both visually and acoustically as soon as the desired temperature has been reached. Because the cooktop continues to regulate the temperature automatically, you can fry your steak at the optimal temperature.

Set to the optimum level.
Cooked to the perfect point.

No matter what dishes you conjure up in your pan, PerfectFry™ helps you fry everything to perfection – without having to constantly monitor the temperature. To fry at the ideal temperature, just select one of four temperature levels, enter the desired frying time, and PerfectFry™ does the rest.

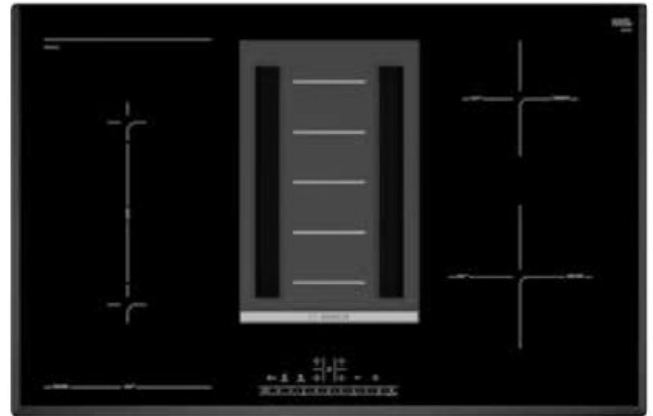
Achieving perfect results using the four PerfectFry™ temperature settings:

- | | | | |
|---|---|--|---|
|  |  |  |  |
| <p>1 Low
Suitable for frying with virgin olive oil or for omelettes</p> | <p>2 Medium-low
For perfectly frying fish, meatballs or sausages</p> | <p>3 Medium-high
Perfectly fries steaks (medium or well done), ragout or vegetables</p> | <p>4 High
Perfect for fried potatoes or rare steaks</p> |



Serie | 6

2-in-1 cooktop with integrated ventilation



Ventilation options – accessories required



HEZ381401 Ducted Extraction Kit

- ▶ Direct air outlet onto 220 x 90mm flat duct system or with 90° diverter element and outlet for continuation of ducting with 220 x 90mm flat duct system.
- ▶ Includes:
 - 3 mountable depth adapters (40mm, 80mm, 120mm) for different worktop depths from 600mm to 750mm, 90° diverter element, connector element for continuation with 220 x 90mm flat ducting.



HEZ381501 Recirculation kit

- ▶ The CleanAir high performance odour filter is specifically optimised for all cooking applications and has an odour reduction rate of 85% and a lifetime of approximately 1 year.
- ▶ Optimised for quick and flexible installation in all common furniture (Minimum plinth height: 100mm)
- ▶ Includes:
 - 3 horizontal adapter elements (40mm, 80mm, 120mm) for worktop depths from 600mm to 750mm, upper 90° diverter element, flexible telescopic element (for additional height, depth and lateral adjustability), 4 height adapter elements (50mm each) for furniture corpus heights from 675mm to 900mm, housing element for CleanAir filter drawer cassette (optionally 180° reversible), CleanAir high performance odour filter, lower 90° diverter with air outlet (optionally 180° reversible), adaptive air diffuser element, element to affix to bottom panel of furniture.

PVS851F21E 80cm Induction cooktop with integrated ventilation

Heating functions

- ▶ 4 induction cooking zones:
 - 2 combinable zones 'CombiZone' for large pans
- ▶ 17 power levels
- ▶ PowerBoost for each zone

Design

- ▶ Frameless with bevelled front and sides

Convenience

- ▶ Electronic DirectSelect 1.0 touch-control
- ▶ MoveMode: 2 automatic power levels
- ▶ PerfectFry™ sensor with 4 automatic frying programs
- ▶ Timer with automatic switch off for all zones
- ▶ QuickStart
- ▶ ReStart
- ▶ Automatic pan recognition sensor
- ▶ Energy consumption display

Cleaning

- ▶ WipeProtection

Safety

- ▶ Automatic safety switch-off
- ▶ 2-stage residual heat indicator
- ▶ Child lock

Ventilation

- ▶ 689m³/h maximum extraction capacity
- ▶ Noise min./max. Normal Level: 42/70 dB
- ▶ 9 power settings + 1 intensive
- ▶ AutoOn: Starts the ventilation module on power level 3 when you start cooking
- ▶ Automatic run-on time 30 mins
- ▶ EcoSilence Drive® brushless motor
- ▶ Dishwasher-safe metal grease filter
- ▶ Electronic filter saturation indicator
- ▶ Heat resistant air inlet grid, dishwasher safe

Dimensions (HxWxD)
198 x 802 x 522mm

Cooktops | FlexInduction®

FlexInduction® cooktops

Introducing Bosch FlexInduction®, the result of decades of research and development. Introducing true freedom in the kitchen.



Serie | **8**

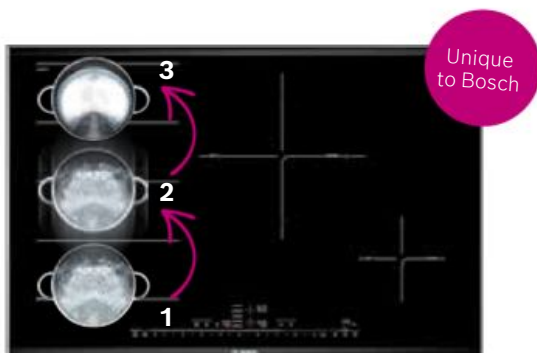
PXV975DV1E



"Flex zones great for big pans and grills."

Incentivised review.

Ideal for small pots, large pots, multiple pots, frying pans or casserole dishes – you name it, thanks to the unique coil shapes you get the ultimate flexibility and heat distribution. At the touch of a button, two induction zones become one large FlexInduction® surface.



MoveMode

Pre-set 3 different power levels and move from boil to simmer in just seconds.

1. Perfect for rapid boiling (Power level 9 – Front FlexZone)
2. Medium heat cooking (Power level 5 – Middle FlexZone)
3. Ideal for simmering (Power level 1 – Back FlexZone)



PerfectFry™ sensor – for a steak that is just right

With up to 5 automatic settings, the pan is heated to just the right temperature. Sensors inside the cooktop continuously measure the temperature and maintain it for perfect results. Works with Bosch PerfectFry™ sensor pans, see page 127 for details.

Cooktops | CombiInduction®

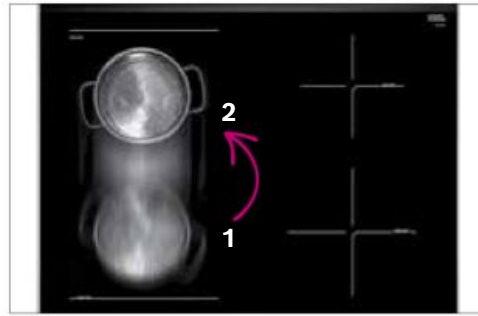
CombiInduction® cooktops

Bosch CombiInduction® lets you switch from small to large and oversized pans, like Teppan Yaki, simply and easily. So now there's no limit to the tastes you can create.



CombiZone

With Bosch CombiInduction® you have the freedom to use your biggest pans and baking trays for more adventurous cooking. Switching from small to large pans is as simple as a single touch that merges two standard cooking zones into one large cooking zone.



MoveMode

When your recipe requires you to switch from boil to simmer at just the right moment, MoveMode is there when you need it. Switch from level 9 to level 1 by simply sliding your pot. MoveMode lets you move seamlessly from your first high-powered cooking task to the next, without a hiccup, you are always in control.



HEZ390512

Teppan Yaki – try beef, prawns, scallops, set your imagination free.



HEZ390522

Griddle plate – perfectly grill your favourite meats, fish or vegetables.



HEZ390011

Stainless Steel Roasting Pan – for big roasts and large family dishes.



Induction cooktops

90cm

FlexInduction®

Serie | 8

 Cook to Hood


Induction.



80cm

FlexInduction®



PXV975DV1E 90cm FlexInduction® Cooktop

Heating functions

- ▶ 5 induction cooking zones:
 - 2 large FlexInduction® zones for large pans or multiple smaller pans
- ▶ 32cm triple circuit zone
- ▶ 17 power levels
- ▶ PowerBoost for each zone
- ▶ ShortBoost for each zone

Convenience

- ▶ Electronic DirectSelect Premium touch-controls
- ▶ Dual timer with auto switch-off for each zone
- ▶ QuickStart
- ▶ ReStart
- ▶ Energy consumption display
- ▶ Keep warm setting
- ▶ PerfectFry™ sensor with 5 automatic frying programs
- ▶ MoveMode: 3 automatic power levels

Cleaning

- ▶ WipeProtection

Safety

- ▶ 2-stage residual heat indicators
- ▶ Child lock

Dimensions (WxD) 916 x 527mm

PIV975DC1E 90cm Induction Cooktop

Heating functions

- ▶ 5 induction cooking zones:
 - 1 large 32cm triple circuit zone
- ▶ 17 power levels
- ▶ PowerBoost for each zone
- ▶ ShortBoost for each zone

Convenience

- ▶ Electronic DirectSelect Premium touch-controls
- ▶ Dual timer with auto switch-off for each zone
- ▶ QuickStart
- ▶ ReStart
- ▶ Energy consumption display
- ▶ Keep warm setting
- ▶ PerfectFry™ sensor with 5 automatic frying programs

Cleaning

- ▶ WipeProtection

Safety

- ▶ 2-stage residual heat indicators
- ▶ Child lock

PXE875DC1E 80cm FlexInduction® Cooktop

Heating functions

- ▶ 4 induction cooking zones:
 - 1 large FlexInduction® zone for large pans or multiple smaller pans
- ▶ 17 power levels
- ▶ PowerBoost for each zone
- ▶ ShortBoost for each zone

Convenience

- ▶ Electronic DirectSelect Premium touch-controls
- ▶ Dual timer with auto switch-off for each zone
- ▶ QuickStart
- ▶ ReStart
- ▶ Energy consumption display
- ▶ Keep warm setting
- ▶ PerfectFry™ sensor with 5 automatic frying programs
- ▶ MoveMode: 3 automatic power levels

Cleaning

- ▶ WipeProtection

Safety

- ▶ 2-stage residual heat indicators
- ▶ Child lock

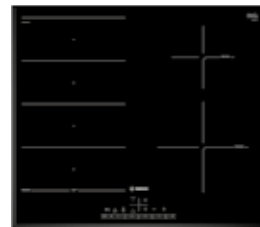
Dimensions (WxD)
816 x 527mm

60cm

CombiInduction®

Serie | 6

FlexInduction®



PVS875FB5E 80cm CombiInduction® Cooktop

Heating functions

- ▶ 4 induction cooking zones:
2 combinable zones 'CombiZone'
for large pans
- ▶ 17 power levels
- ▶ PowerBoost for each zone

Convenience

- ▶ Electronic DirectSelect 1.0 touch-controls
- ▶ Dual timer with auto switch-off for each zone
- ▶ QuickStart
- ▶ ReStart
- ▶ Energy consumption display
- ▶ MoveMode: 2 automatic power levels

Cleaning

- ▶ WipeProtection

Safety

- ▶ 2-stage residual heat indicators
- ▶ Child lock

Dimensions (WxD)
816 x 527mm

PVS675FB5E 60cm CombiInduction® Cooktop

Heating functions

- ▶ 4 induction cooking zones:
2 combinable zones 'CombiZone'
for large pans
- ▶ 17 power levels
- ▶ PowerBoost for each zone

Convenience

- ▶ Electronic DirectSelect 1.0 touch-controls
- ▶ Dual timer with auto switch-off for each zone
- ▶ QuickStart
- ▶ ReStart
- ▶ Energy consumption display
- ▶ MoveMode: 2 automatic power levels

Cleaning

- ▶ WipeProtection

Safety

- ▶ 2-stage residual heat indicators
- ▶ Child lock

Dimensions (WxD)
606 x 527mm

PXE651FC1E 60cm FlexInduction® Cooktop

Heating functions

- ▶ 4 induction cooking zones:
1 large FlexInduction® zone
for large pans or multiple smaller pans
- ▶ 17 power levels
- ▶ PowerBoost for each zone

Convenience

- ▶ Electronic DirectSelect 1.0 touch-controls
- ▶ Dual timer with auto switch-off for each zone
- ▶ QuickStart
- ▶ ReStart
- ▶ Energy consumption display
- ▶ PerfectFry™ sensor with 4 automatic frying programs

Cleaning

- ▶ WipeProtection

Safety

- ▶ 2-stage residual heat indicators
- ▶ Child lock

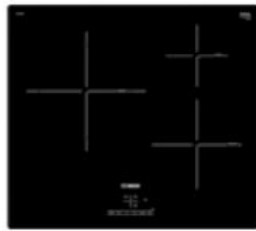
Dimensions (WxD)
592 x 522mm

Induction cooktops

60cm

Induction.

Serie | 4



PUE611BB1E 60cm Induction Cooktop

Heating functions

- ▶ 4 induction cooking zones
- ▶ 17 power levels
- ▶ PowerBoost for each zone

Convenience

- ▶ Electronic DirectSelect 1.0 touch-controls
- ▶ Dual timer with auto switch-off for each zone
- ▶ QuickStart
- ▶ ReStart
- ▶ Energy consumption display
- ▶ Keep warm setting

Cleaning

- ▶ WipeProtection

Safety

- ▶ 2-stage residual heat indicators
- ▶ Child lock

PIJ611BB1E 60cm Induction Cooktop

Heating functions

- ▶ 3 induction cooking zones including large 28cm cooking zone
- ▶ 17 power levels
- ▶ PowerBoost for each zone

Convenience

- ▶ TouchSelect electronic controls
- ▶ Dual timer with auto switch-off for each zone
- ▶ QuickStart
- ▶ ReStart

Safety

- ▶ 2-stage residual heat indicators
- ▶ Child lock

Dimensions (WxD) 592 x 522mm

Features and functions for everyday use.



Safety & Cleaning

WipeProtection

Stay in complete cooking control even when you've had a spill or boil-over. Bosch WipeProtection locks the control panel for 20 seconds so you can clean the surface of the control panel easily, without losing your cooking settings.

2-stage residual heat indicators

Provides clear indication of when a zone is still hot after use. Two levels: 'H' means residual heat sufficient to finish off cooking or to keep items warm; 'h' – residual heat insufficient to cook, but zone is still hot enough to advocate caution.

Child lock

Maximum safety for tiny hands. Lock your cooktop's control panel and prevent accidental little chefs from 'helping out' and hurting themselves. Enjoy the reassurance of maximum safety for both you and your loved ones.

Automatic safety switch-off

Never worry again if you have forgotten to turn off the cooktop. If you've stopped using it, your Bosch Induction cooktop will automatically shut down.



Convenience

Dual function timer including automatic switch-off for each zone

Use the independent audible timer to set the length of cooking time or set the cooking zone at a specific temperature (ie. level 5.5) for up to 99 minutes – ideal for busy households. Once the selected time has been reached, the cooking zone is switched off automatically.

QuickStart

Start cooking quicker. Bosch QuickStart functionality automatically detects the location of your pot and displays the cooking zone on the control panel. Just select the power level and you're away.

ReStart

Things happen quickly in the kitchen – spilling something on the control panel or accidentally switching off the cooktop, ReStart will store your last selected settings. Those settings can be instantly recalled by simply pressing the main power switch within 4 seconds.

Energy consumption display

Each time you finish cooking, your Energy consumption display shows exactly how much power you've used. So if you wish, you can adapt your cooking style to save energy and money. (For example, placing a lid on a pot can help reduce your energy consumption).

Automatic pot detection

Bosch Induction cooktops feature automatic pot detection, which recognises the diameter of the cookware and determines the size of the cooking zone accordingly. If the pot is removed, the control panel indicator will flash and remain inactive until the pot is detected.

Keep warm

Ideal setting for keeping food warm before serving at the touch of a button.



Performance

DirectSelect Premium

Taking easy to use, intuitive controls to the next level, DirectSelect Premium gives you complete cooking control with intermediate levels and unsurpassed accuracy.

DirectSelect 1.0

Enjoy total convenience with DirectSelect 1.0. Simply select the required power level from the power settings laid out on the cooktop, without the need to press +/- repeatedly.

TouchSelect

With this control panel, you can regulate the desired cooking zone easily. Select your cooking zone and use the +/- keys to choose the power level you need.

17 power levels

Enjoy total control on every recipe with 17 power levels. This function allows cooking zones to be set in increments of 0.5 (eg. 0.5, 1, 1.5, 2...9).

PowerBoost – now with even more power!

PowerBoost channels increased power to a selected zone to turbocharge the cooking process. With PowerBoost, you can boil 2 litres of water almost three times faster than on a conventional glass-ceramic cooktop.

ShortBoost

Reduce the time to heat up pans – this boost function heats up the pan for 30 seconds at high power before automatically reducing the heat to the correct power setting.

Overview

Cooktops | FlameSelect®

We didn't discover fire, but we've taken it to a new level. Nine, to be precise.

The FlameSelect® gas cooktops from Bosch are packed with innovative technology. They offer you a completely new level of precision when it comes to adjusting the flame by selecting predefined power levels. But that's not all. Thanks to our timeless design and carefully selected materials, Bosch gas cooktops are also a true feast for the eyes.

Serie | **6**
PCR9A5B90A



"Right amount of heat for whatever I am cooking."

Incentivised review.

**Average rating for PCR9A5B90A is 4.5 stars.*

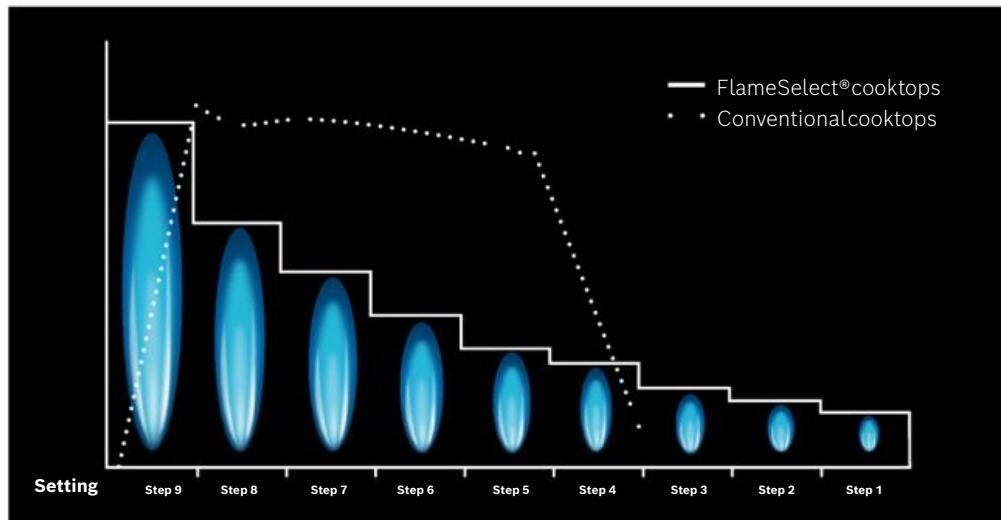




Stop cooking with intuition. Start cooking with perfection.

At Bosch, we want to make your cooking with gas as easy, safe and enjoyable as possible. That's why we developed FlameSelect® for you. Unlike conventional gas cooktops with inaccurate power settings, FlameSelect® and its patented valve technology offer you incremental heat regulation within nine precisely defined power levels. So now, gas cooktops with FlameSelect® offer you all the benefits of gas cooking combined with the comfort and precision of an electric cooktop.

Nine levels of precise power selection



Easy to use. Easy to clean. Easy to love.



Our pan supports

When it comes to design you have the choice between single pan supports for easy handling and cleaning, or continuous pan supports for high stability of cookware. Both variants are available in cast iron and are extremely robust.



Our gas cooktop surfaces

Our cooktops are available in black tempered glass and stainless steel to perfectly match your kitchen and individual taste.

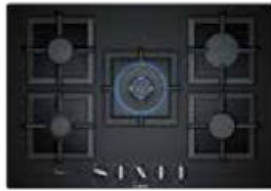
Gas cooktops

FlameSelect® black tempered glass.

Serie | 6



FlameSelect®



FlameSelect®



FlameSelect®

PPS9A6B90A 90cm Black Tempered Glass Gas Cooktop

Heating functions

- ▶ 5 Burners:
 - 1 x 15 MJ/h wok burner
 - 1 x high-speed burner
 - 2 x standard burners
 - 1 x economy burner

Convenience

- ▶ FlameSelect® valve technology (precise control in 9 steps)
- ▶ One-hand ignition via sword control knobs
- ▶ Enamelled cast-iron pan supports
- ▶ Standard and semi-flush built-in option

Safety

- ▶ Flame failure for each burner stops gas flow if flames go out

Other

- ▶ Suitable for NG (ex factory) and LPG (via included conversion kit)

Dimensions (WxD)
915 x 520mm

PPQ7A6B20A 75cm Black Tempered Glass Gas Cooktop

Heating functions

- ▶ 5 Burners:
 - 1 x 15 MJ/h wok burner
 - 1 x high-speed burner
 - 2 x standard burners
 - 1 x economy burner

Convenience

- ▶ FlameSelect® valve technology (precise control in 9 steps)
- ▶ One-hand ignition via sword control knobs
- ▶ Enamelled cast-iron pan supports
- ▶ Standard and semi-flush built-in option

Safety

- ▶ Flame failure for each burner stops gas flow if flames go out

Other

- ▶ Suitable for NG (ex factory) and LPG (via included conversion kit)

Dimensions (WxD)
752 x 520mm

PPH6A6B20A 60cm Black Tempered Glass Gas Cooktop

Heating functions

- ▶ 4 Burners:
 - 1 x 13.6 MJ/h wok burner
 - 2 x standard burners
 - 1 x economy burner

Convenience

- ▶ FlameSelect® valve technology (precise control in 9 steps)
- ▶ One-hand ignition via sword control knobs
- ▶ Enamelled cast-iron pan supports
- ▶ Standard and semi-flush built-in option

Safety

- ▶ Flame failure for each burner stops gas flow if flames go out

Other

- ▶ Suitable for NG (ex factory) and LPG (via included conversion kit)

Dimensions (WxD)
590 x 520mm

FlameSelect® stainless steel.



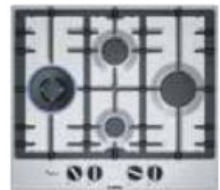
FlameSelect®



FlameSelect®



FlameSelect®



FlameSelect®

PCT9A5B90A 90cm Stainless Steel Gas Cooktop

Heating functions

- ▶ 6 Burners:
 - 2 x 19.5 MJ/h dual flame wok burners
 - 1 x high-speed burner
 - 2 x standard burners
 - 1 x economy burner

Convenience

- ▶ FlameSelect® valve technology (precise control in 9 steps)
- ▶ One-hand ignition via sword control knobs
- ▶ Enamelled cast-iron pan supports

Safety

- ▶ Flame failure for each burner stops gas flow if flames go out

Other

- ▶ Suitable for NG (ex factory) and LPG (via included conversion kit)

Dimensions (WxD)
915 x 520mm

PCR9A5B90A 90cm Stainless Steel Gas Cooktop

Heating functions

- ▶ 5 Burners:
 - 1 x 19.5 MJ/h dual flame wok burner
 - 1 x high-speed burner
 - 2 x standard burners
 - 1 x economy burner

Convenience

- ▶ FlameSelect® valve technology (precise control in 9 steps)
- ▶ One-hand ignition via sword control knobs
- ▶ Enamelled cast-iron pan supports

Safety

- ▶ Flame failure for each burner stops gas flow if flames go out

Safety

- ▶ Flame failure for each burner stops gas flow if flames go out

PCR7A5B90A 75cm Stainless Steel Gas Cooktop

Heating functions

- ▶ 5 Burners:
 - 1 x 19.5 MJ/h dual flame wok burner
 - 1 x high-speed burner
 - 2 x standard burners
 - 1 x economy burner

Convenience

- ▶ FlameSelect® valve technology (precise control in 9 steps)
- ▶ One-hand ignition via sword control knobs
- ▶ Enamelled cast-iron pan supports

Safety

- ▶ Flame failure for each burner stops gas flow if flames go out

Other

- ▶ Suitable for NG (ex factory) and LPG (via included conversion kit)

Dimensions (WxD)
750 x 520mm

PCI6A5B90A 60cm Stainless Steel Gas Cooktop

Heating functions

- ▶ 4 Burners:
 - 1 x 15 MJ/h wok burner
 - 1 x high-speed burner
 - 1 x standard burner
 - 1 x economy burner

Convenience

- ▶ FlameSelect® valve technology (precise control in 9 steps)
- ▶ One-hand ignition via sword control knobs
- ▶ Enamelled cast-iron pan supports

Safety

- ▶ Flame failure for each burner stops gas flow if flames go out

Other

- ▶ Suitable for NG (ex factory) and LPG (via included conversion kit)

Dimensions (WxD)
582 x 520mm

Gas cooktops

Stainless steel.

Serie | 2



PBH6B5B90A
60cm Stainless Steel
Gas Cooktop

Heating functions

- ▶ 4 Burners:
- 1 x 15 MJ/h wok burner
- 2 x standard burners
- 1 x economy burner

Convenience

- ▶ One-hand ignition via sword control knobs
- ▶ Enamelled cast-iron pan supports

Safety

- ▶ Flame failure for each burner stops gas flow if flames go out

Other

- ▶ Suitable for NG (ex factory) and LPG (via included conversion kit)

PBH6B5B80A
60cm Stainless Steel
Gas Cooktop

Heating functions

- ▶ 4 Burners:
- 1 x 15 MJ/h wok burner
- 2 x standard burners
- 1 x economy burner

Convenience

- ▶ One-hand ignition via sword control knobs
- ▶ Enamelled steel pan supports

Safety

- ▶ Flame failure for each burner stops gas flow if flames go out

Other

- ▶ Suitable for NG (ex factory) and LPG (via included conversion kit)

Dimensions (WxD)
580 x 510mm



Cooktops | Gas features and functions

Features and functions for everyday use.



Efficiency

One-hand ignition

Push and turn the ergonomically designed control knobs and the gas ignites automatically. As well as offering the convenience of only using one hand, there is also no separate ignition button to clean.

Easy clean tempered glass

Premium models with tempered glass base are easy to clean for total convenience with a frameless finish for a stylish and sleek look.

Cleaning rounded off to perfection

The rounded edges of our gas cooktops ensure effortless cleaning – dirt simply doesn't have anywhere to collect.

Simplicity

FlameSelect®

FlameSelect® and its patented valve technology offer you incremental heat regulation within nine precisely defined power levels, making your cooking with gas as easy, safe and enjoyable as possible.

Flame failure device

For added safety, all Bosch gas cooktops feature a flame failure device. This feature stops the supply of gas to the burners if the flame is extinguished.

Cast-iron supports

Cast-iron pan supports are both stylish and highly durable, providing solid and robust support for your cooking pans.

Performance

High-power wok-style burner

Selected gas cooktop models feature a powerful wok-style burner, which provides up to 19.5 MJ/h. Suitable for use with flat-based pans or with a wok using the wok ring provided.

Flexible burners

All our gas cooktops feature different burner combinations for greater flexibility. With wok, high-speed, standard and economy burners, you can cook more efficiently with the burner most suited to the size of your pan.

Features may vary depending on models. Please check individual product specifications.



Cooktops | Ceramic

The world of Bosch ceramic cooktops.

There is a wide range of ceramic cooktops to choose from. As you would expect from Bosch, all are made using high-quality materials, are easy to use and add versatility, style and elegance to any kitchen.



Cooktops | Ceramic features and functions

Features and functions for everyday use.



Safety & Cleaning

WipeProtection

Stay in complete cooking control even when you've had a spill or boil-over. Bosch WipeProtection locks the control panel for 20 seconds so you can clean the surface of the control panel easily, without losing your cooking settings.

2-stage residual heat indicators

Provides clear indication of when a zone is still hot after use. Two levels: 'H' means residual heat sufficient to finish off cooking or to keep items warm; 'h' – residual heat insufficient to cook, but zone is still hot enough to advocate caution.

Convenience

Dual circuit cooking zone

Available on selected ceramic cooktops, this energy-saving feature allows you to select a smaller cooking zone for small pans, and a larger zone for larger pans.

ReStart

Things happen quickly in the kitchen – if you spill something on the control panel or accidentally switch off the cooktop, ReStart will store your last selected settings. Those settings can be instantly recalled by simply pressing the main power switch within 4 seconds.

Energy consumption display*

Each time you finish cooking, your energy consumption display shows exactly how much power you've used. So if you wish, you can adapt your cooking style to save energy and money. (For example, placing a lid on a pot can help reduce your energy consumption).

Extendable zone

Selected cooking zones can be extended giving you a much larger area to accommodate big saucepans, casseroles and other (large) cooking dishes.

Automatic electronic boil start

The automatic electronic boil start heats the hotplate using the highest heat setting and then reverts down to the simmer setting you have previously selected, reducing the risk of boil overs.

Keep warm

Ideal setting for keeping food warm before serving at the touch of a button.

Performance

DirectSelect Premium

Taking easy to use, intuitive controls to the next level, DirectSelect Premium gives you complete cooking control with intermediate levels and unsurpassed accuracy.

TouchSelect

With this control panel, you can regulate the desired cooking zone easily. Select your cooking zone and use the +/- keys to choose the power level you need.

QuickTherm technology

For improved control and flexibility, heat is delivered to the cooking zone in approximately three seconds. This feature is quicker than standard ceramic zones or electric-sealed plates.

17 power levels

Enjoy total control on every recipe with 17 power levels. This function allows cooking zones to be set in increments of 0.5 (eg. 0.5, 1, 1.5, 2...9).

PowerBoost

PowerBoost now on selected Bosch ceramic cooktops lets you heat up large volumes of water even faster than on the highest power level.

Ceramic cooktops

With electronic touch-controls and extendable cooking zones, Bosch ceramic cooktops combine great looks with smart function and design. The smooth ceramic glass cooktop surface is tough and durable as well as practical and easy-to-clean.

Serie | 8



PKM875DP1A 80cm Ceramic Cooktop

Heating functions

- ▶ 4 QuickTherm cooking zones: 2 dual circuit zones, 1 dual circuit/extended roasting zone
- ▶ 17 power levels
- ▶ PowerBoost for each zone

Convenience

- ▶ Electronic DirectSelect Premium touch-controls
- ▶ ReStart – quickly reinstates previous settings
- ▶ Dual timer with auto switch-off for each zone
- ▶ Keep warm setting
- ▶ Energy consumption display

Cleaning

- ▶ WipeProtection

Safety

- ▶ 2-stage residual heat indicators
- ▶ Child lock

Dimensions (WxD)
816 x 527mm

PKG775DB1A 70cm Ceramic Cooktop

Heating functions

- ▶ 4 QuickTherm cooking zones: 2 dual circuit zone
- ▶ 17 power levels

Convenience

- ▶ Electronic DirectSelect Premium touch-controls
- ▶ ReStart – quickly reinstates previous settings
- ▶ Dual timer with auto switch-off for each zone
- ▶ Keep warm setting
- ▶ Energy consumption display
- ▶ Automatic electronic boil start

Cleaning

- ▶ WipeProtection

Safety

- ▶ 2-stage residual heat indicators
- ▶ Child lock

Dimensions (WxD)
710 x 527mm

PKN675DB1A 60cm Ceramic Cooktop

Heating functions

- ▶ 4 QuickTherm cooking zones: 1 dual circuit zones, 1 dual circuit/extended roasting zone
- ▶ 17 power levels

Convenience

- ▶ Electronic DirectSelect Premium touch-controls
- ▶ ReStart – quickly reinstates previous settings
- ▶ Dual timer with auto switch-off for each zone
- ▶ Keep warm setting
- ▶ Energy consumption display
- ▶ Automatic electronic boil start

Cleaning

- ▶ WipeProtection

Safety

- ▶ 2-stage residual heat indicators
- ▶ Child lock

Dimensions (WxD)
606 x 527mm

Serie | 4

PKE611D17A 60cm Ceramic Cooktop

Heating functions

- ▶ 4 QuickTherm cooking zones
- ▶ 17 power levels

Convenience

- ▶ Electronic TouchSelect +/- touch-controls
- ▶ ReStart - quickly reinstates previous settings

Safety

- ▶ 2-stage residual heat indicators
- ▶ Child lock

Dimensions (WxD)
592 x 522mm

Serie | 2



PKE611CA1A 60cm Ceramic Cooktop

Heating functions

- ▶ 4 QuickTherm cooking zones
- ▶ 9 power levels

Convenience

- ▶ Side control sword knobs

Safety

- ▶ Residual heat indicator

Dimensions (WxD)
592 x 522mm





Rangehoods



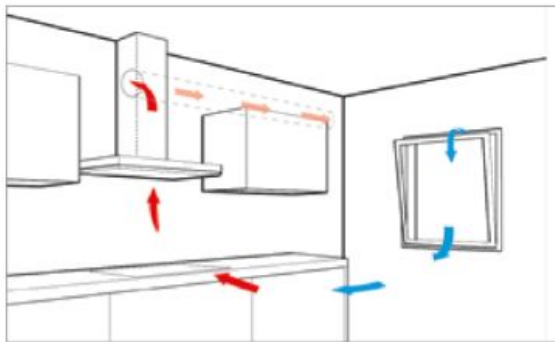
Design



Rangehoods

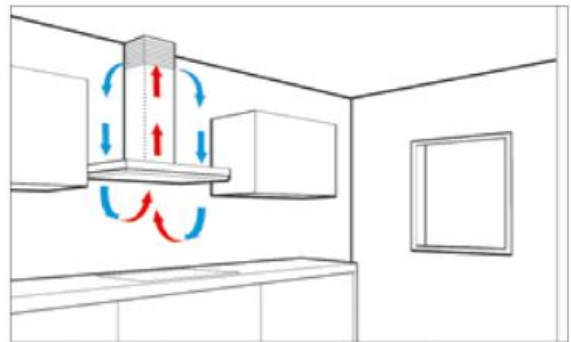
A breath of fresh air in hood design.

The right rangehood can reduce odours and steam and leave your kitchen feeling fresh and clean. And a Bosch hood will do it all with silent efficiency.



Ducted extraction

Ducting out is the most effective method of extraction. Ideally the rangehood should be sited on an outside wall, or an outside wall can be reached via ducting. All Bosch extractors are now standardised to facilitate a 150mm diameter outlet for maximum performance, although smaller ducting can be used if required. Please refer to the installation guide for further advice on best practice installation.



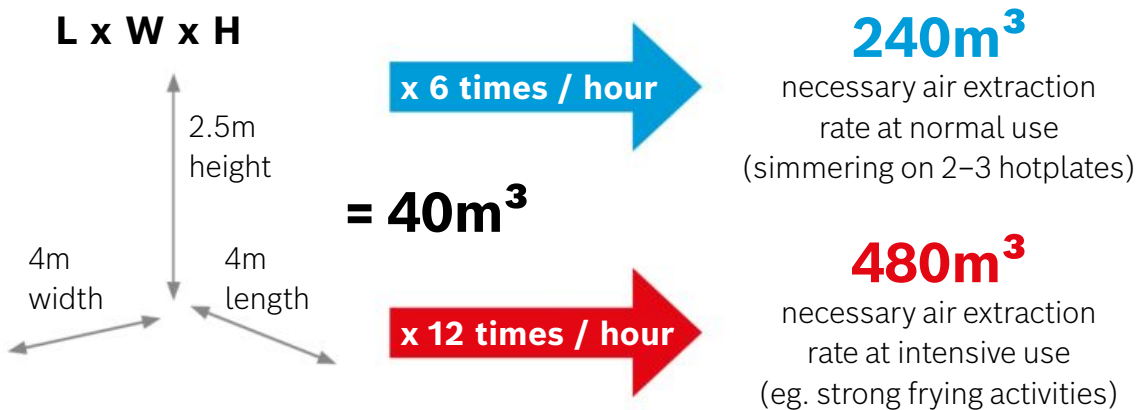
Recirculation kit

Odours are extracted and filtered, then purified air is returned to the room. The kit comprises of a carbon filter and all components needed to ensure that odour free air is returned into the kitchen. To maintain performance, the carbon filter should be replaced on a regular basis. A recirculation kit needs to be purchased as a separate accessory.

What extraction rate do I need?

It is recommended that air be extracted (or exchanged) in a room depending on your type of cooking: a minimum of 6 times per hour; and a maximum of 12 times per hour.

Air extraction is measured using room volume. This is calculated by multiplying Length x Width x Height.



Bosch extraction rates are tested in line with EU standards. See page 120 for more information.

Silence

Serie | 6
DWB97LM50A

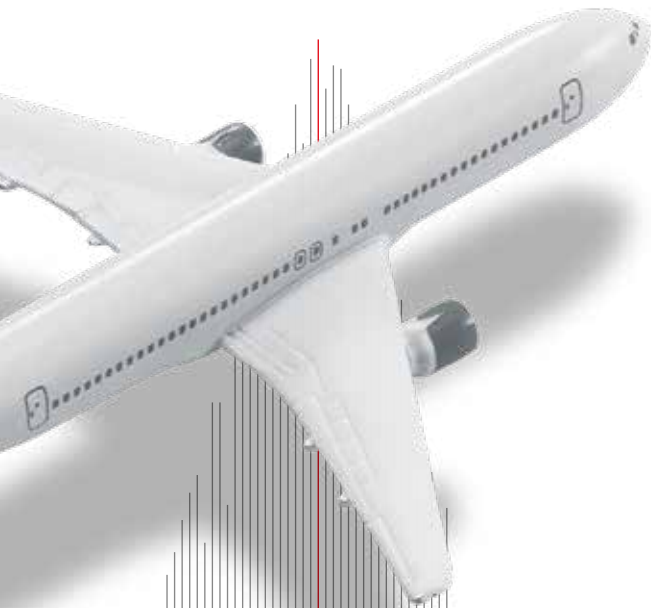


*"Very quiet but
oh so powerful."*

Incentivised review.

Aeroplane

120dB



Road traffic

83dB



Talking

74dB



Rangehoods

Relax in a quieter kitchen with family and friends.

A few decibels can make the difference between harmful, loud and pleasant. Operating at 40dB(A)*, our quietest rangehood means you can have it on while listening to music, enjoying a conversation or while your baby rests.

Silence

Noise is measured in numeric decibels or dB(A). It is important to note that a few decibels can make a huge difference.

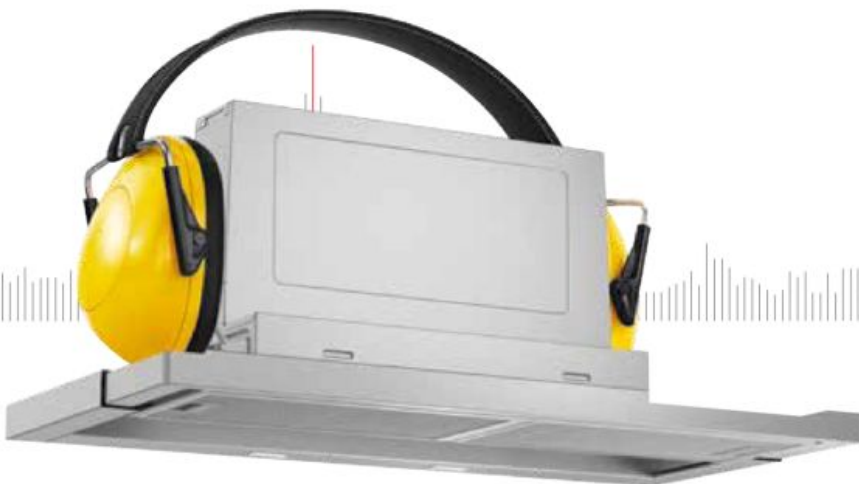
EcoSilence Drive® motor

The EcoSilence Drive® motor operates without carbon brushes, eliminating the disadvantages of conventional motors. Instead of energy loss, wear and noise, you get efficiency, durability, and smooth operation. The result: low noise levels with high power.



Bosch Rangehood
DFS097E50A

40dB



30dB Leaves rustling



*DFS097E50A at minimum level 40dB (150mm ducted).

Wall-mounted rangehoods

Stainless steel.

Serie | 8

 Cook to Hood



DWB91PR50A 90cm Canopy Rangehood

Power functions

- ▶ 964m³/h maximum extraction capacity
- ▶ 3 power settings + 2 intensive settings with automatic revert
- ▶ Automatic run-on time 10 mins
- ▶ EcoSilence Drive® brushless motor

Convenience

- ▶ Whisper quiet: 45dB at minimum level (150mm ducted)
- ▶ 3 x 1.5 W LED SoftLights with dimmer function
- ▶ Electronic controls via TouchControl with lightline
- ▶ Sound insulation mats
- ▶ PerfectAir sensor: automatically detects cooking intensity and adjusts power level
- ▶ Cooktop-based hood control ready

Cleaning

- ▶ Dishwasher-safe metal grease filters
- ▶ Electronic filter saturation indicator

Optional Accessory

- ▶ DHZ5345 Recirculation kit

Dimensions (HxWxD)
628–954 x 898 x 500mm (ducted) or
628–1064 x 898 x 500mm (recirculating)

Serie | 6



DWB97LM50A 90cm Canopy Rangehood

Power functions

- ▶ 697m³/h maximum extraction capacity
- ▶ 3 power settings + 1 intensive setting with automatic revert
- ▶ EcoSilence Drive® brushless motor

Convenience

- ▶ Whisper quiet: 45dB at minimum level (150mm ducted)
- ▶ 3 x 1.5 W LED lights
- ▶ Electronic controls via TouchControl with LED display
- ▶ Sound insulation mats

Cleaning

- ▶ Dishwasher-safe metal grease filters

Optional Accessory

- ▶ DHZ5345 Recirculation kit

Serie | 2



DWB96BC50A 90cm Canopy Rangehood

Power functions

- ▶ 590m³/h maximum extraction capacity
- ▶ 3 power settings

Convenience

- ▶ Very quiet: 49dB at minimum level (150mm ducted)
- ▶ 2 x 1.5 W LED lights
- ▶ Push button control

Cleaning

- ▶ Dishwasher-safe metal grease filters

Optional Accessory

- ▶ DWZ0DX0U0 Recirculation kit

Dimensions (HxWxD)
635–965 x 900 x 500mm (ducted) or
635–1075 x 900 x 500mm (recirculating)



DWB65BC50A
60cm Canopy Rangehood

Power functions

- ▶ 580m³/h maximum extraction capacity
- ▶ 3 power settings

Convenience

- ▶ Very quiet: 48dB at minimum level (150mm ducted)
- ▶ 2 x 3W LED lights
- ▶ Push button control

Cleaning

- ▶ Dishwasher-safe metal grease filters

Optional Accessory

- ▶ DHZ5325 Recirculation kit

Dimensions (HxWxD)

450–830 x 598 x 500mm (ducted) or
550–830 x 598 x 500mm (recirculating)

DWP96BC50A
90cm Canopy Rangehood

Power functions

- ▶ 600m³/h maximum extraction capacity
- ▶ 3 power settings

Convenience

- ▶ Very quiet: 51dB at minimum level (150mm ducted)
- ▶ 2 x 1.5W LED lights
- ▶ Push button control

Cleaning

- ▶ Dishwasher-safe metal grease filters

Optional Accessory

- ▶ DHZ5275 Recirculation kit

Dimensions (HxWxD)

799–975 x 900 x 500mm
(ducted or recirculating)

DWP66BC50A
60cm Canopy Rangehood

Power functions

- ▶ 570m³/h maximum extraction capacity
- ▶ 3 power settings

Convenience

- ▶ Very quiet: 49dB at minimum level (150mm ducted)
- ▶ 2 x 1.5W LED lights
- ▶ Push button control

Cleaning

- ▶ Dishwasher-safe metal grease filters

Optional Accessory

- ▶ DHZ5275 Recirculation kit

Dimensions (HxWxD)

799–975 x 600 x 500mm
(ducted or recirculating)

Integrated rangehoods

Great performance in a tiny space. These neatly concealed rangehoods are housed underneath the kitchen unit and can only be seen if you look underneath the kitchen cabinetry.

Serie | 8



DHL895DAU 86cm Integrated Rangehood

Power functions

- ▶ 800m³/h maximum extraction capacity with rim ventilation
- ▶ 3 power settings + 1 intensive setting with automatic revert to previous setting
- ▶ Automatic run-on time 30 mins
- ▶ EcoSilence Drive® brushless motor

Convenience

- ▶ Whisper quiet: 41dB at minimum level (150mm ducted)
- ▶ 2 x 1W LED lights with dimmer function
- ▶ Low-lift push button controls for power and light

Cleaning

- ▶ Dishwasher-safe metal grease filters
- ▶ Electronic filter saturation indicator

Optional Accessory

- ▶ DHZ5605 Recirculation kit

Dimensions (HxWxD)

Product: 418 x 860 x 282mm
Built-in: 418 x 836 x 264mm
(ducted or recirculating)

Serie | 6



DHL785BAU 70cm Integrated Rangehood

Power functions

- ▶ 730m³/h maximum extraction capacity with rim ventilation
- ▶ 3 power settings + 1 intensive setting with automatic revert to previous setting

Convenience

- ▶ Very quiet: 53dB at minimum level (150mm ducted)
- ▶ 2 x 1W LED lights
- ▶ Low-lift push button controls for power and light

Cleaning

- ▶ Dishwasher-safe metal grease filters

Optional Accessory

- ▶ DHZ5605 Recirculation kit

Dimensions (HxWxD)

Product: 418 x 700 x 282mm
Built-in: 418 x 676 x 264mm
(ducted or recirculating)



DHL575CAU 52cm Integrated Rangehood

Power functions

- ▶ 610m³/h maximum extraction capacity with rim ventilation
- ▶ 3 power settings + 1 intensive setting with automatic revert to previous setting

Convenience

- ▶ Very quiet: 50dB at minimum level (150mm ducted)
- ▶ 2 x 1W LED lights
- ▶ Low-lift push button controls for power and light

Cleaning

- ▶ Dishwasher-safe metal grease filters

Optional Accessory

- ▶ DHZ5605 Recirculation kit

Dimensions (HxWxD)

Product: 418 x 520 x 300mm
Built-in: 418 x 496 x 264mm
(ducted or recirculating)

Serie | 4



DHL555BAU 53cm Integrated Rangehood

Power functions

- ▶ 650m³/h maximum extraction capacity
- ▶ 3 power settings + 1 intensive setting

Convenience

- ▶ Whisper quiet: 41dB at minimum level (150mm ducted)
- ▶ 2 x 2W LED lights
- ▶ Slide controls for power and light

Cleaning

- ▶ Dishwasher-safe metal grease filters

Optional Accessory

- ▶ DHZ7305 Charcoal filter

Dimensions (HxWxD)

Product: 255 x 530 x 380mm
Built-in: 255 x 500 x 350mm
(ducted or recirculating)

Serie | 2



DLN54AA70A 53cm Integrated Rangehood

Power functions

- ▶ 420m³/h maximum extraction capacity
- ▶ 3 power settings

Convenience

- ▶ Very quiet: 55dB at minimum level (150mm ducted)
- ▶ 2 x 3W LED lights
- ▶ Slide controls for power and light

Cleaning

- ▶ Dishwasher-safe metal grease filters

Optional Accessory

- ▶ DWZ0IN0T0 Recirculation kit

Dimensions (HxWxD)

Product: 208 x 534 x 300 mm
Built-in: 208 x 493 x 257 mm
(ducted or recirculating)



Retractable slideout rangehoods

To operate, the slideout section is pulled out, enlarging the extraction surface. The pelmet front can even be matched to your kitchen units,* making this rangehood almost invisible in your kitchen.

Serie | 6



Serie | 4



Serie | 2



DFS097E50A 90cm Slideout Rangehood

Power functions

- ▶ 730m³/h maximum extraction capacity
- ▶ 3 power settings + 2 intensive settings with automatic revert to previous setting
- ▶ Automatic run-on time 1–10 mins
- ▶ EcoSilence Drive® brushless motor

Convenience

- ▶ Whisper quiet: 40dB at minimum level (150mm ducted)
- ▶ 2 x 3W LED SoftLights with dimmer function
- ▶ Electronic controls with LED-display
- ▶ Easy installation system
- ▶ Sound insulation mats

Cleaning

- ▶ Dishwasher-safe metal grease filters
- ▶ Electronic filter saturation indicator

Optional Accessories

- ▶ DSZ4565 Recirculation kit

DFS097A50A 90cm Slideout Rangehood

Power functions

- ▶ 740m³/h maximum extraction capacity
- ▶ 3 power settings + 1 intensive setting with automatic revert to previous setting
- ▶ Automatic run-on time 1–10 mins
- ▶ EcoSilence Drive® brushless motor

Convenience

- ▶ Whisper quiet: 43dB at minimum level (150mm ducted)
- ▶ 2 x 3W LED lights
- ▶ Low-lift push button controls for power and light
- ▶ Easy installation system

Cleaning

- ▶ Dishwasher-safe metal grease filters

Optional Accessories

- ▶ DSZ4565 Recirculation kit

DFS067A50A 60cm Slideout Rangehood

Power functions

- ▶ 740m³/h maximum extraction capacity
- ▶ 3 power settings + 1 intensive setting with automatic revert to previous setting
- ▶ Automatic run-on time 1–10 mins
- ▶ EcoSilence Drive® brushless motor

Convenience

- ▶ Whisper quiet: 43dB at minimum level (150mm ducted)
- ▶ 2 x 3W LED lights
- ▶ Low-lift push button controls for power and light
- ▶ Easy installation system

Cleaning

- ▶ Dishwasher-safe metal grease filters

Optional Accessories

- ▶ DSZ4565 Recirculation kit

DFM064W50A 60cm Slideout Rangehood

Power functions

- ▶ 400m³/h maximum extraction capacity
- ▶ 3 power settings

Convenience

- ▶ Quiet: 59dB at minimum level (150mm ducted)
- ▶ 2 x 20W halogen lights
- ▶ Rocker switches for power and light

Cleaning

- ▶ Dishwasher-safe metal grease filters

Optional Accessory

- ▶ DSZ4545 Recirculation kit

Dimensions (HxWxD)

Product: 426 x 898 x 290mm
Built-in: 385 x 524 x 290mm (ducted or recirculating)

Dimensions (HxWxD)

Product: 426 x 598 x 290mm
Built-in: 385 x 524 x 290mm (ducted or recirculating)

Dimensions (HxWxD)

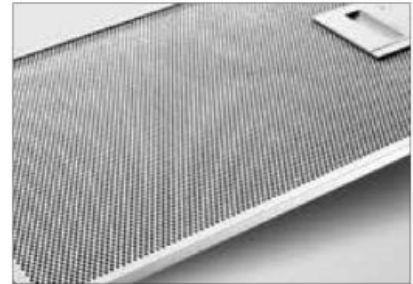
Product: 203 x 598 x 290mm
Built-in: 162 x 526 x 290mm (ducted or recirculating)

*For cabinetry match pelmet required from cabinet maker. Stainless Steel pelmet included, black and white available as optional accessory.

Reference guide see page 119. Technical diagrams see pages 138.

Descriptions & diagrams are a guide only. Additional information, full dimensions & installation details are in the instruction & installation manuals supplied with the appliances.

Features and functions for everyday use.



Performance

Automatic power revert

When the intensive setting is selected, it can be set to automatically revert to a pre-defined setting after a short period of time.

LED lighting

The LED lights offer a longer lifetime and use less energy than conventional halogen lighting. Additional convenience is offered with SoftLight which gently fades lighting in and out with dimmer function.

Variable power settings

All Bosch rangehoods feature variable power settings, which can be set to effectively remove odours, smoke and moisture caused by cooking. Many models also feature an intensive extraction setting, which gives an extra boost to the performance when required.

PerfectAir sensor

PerfectAir continuously monitors the air and automatically adapts the extraction rate to the amount of odour present. At the same time, it reduces the noise level because it only activates the lowest extraction rate necessary.

Convenience

Cook to Hood

Control your rangehood via your cooktop with cooktop-based hood control. When the cooktop is turned on, the hood also switches on and thanks to PerfectAir, automatically extracts at the correct power level. If preferred, the rangehood can be controlled manually.

Electronic filter saturation indicator

For maximum extraction efficiency, an illuminated light indicates when the filter needs cleaning. For hassle-free cleaning, the one-piece filter can be loaded into your Bosch dishwasher.

Electronic control

3 power levels + 2 additional intensive settings, automatic run-on, filter saturation indicator, automatic power revert and SoftLight with dimmer function; control at your fingertips.

Electronic button control

This control provides you with 3 power levels + 1 intensive setting. There's also a push-button for turning the lights on and off. And to make operation even easier, the buttons are back-lit.

Rocker switch control

It doesn't get any easier: one switch with 3 power levels and one for turning the lights on and off.

Cleaning

Dishwasher-safe metal grease filters

For easy cleaning, all Bosch metal grease filters can be safely loaded into any Bosch dishwasher for sparkling clean results. Metal grease filters are required for ducted and recirculating systems to filter grease and other solid particles out of the extracted air. To make sure these filters operate at maximum efficiency, they should be cleaned about twice a month.

Stainless steel filter

The stainless steel filter provides an exceptionally high level of grease absorption. It is concealed behind an elegant stainless steel cover with a stainless steel handle.

Rim ventilation filter

With its smooth uninterrupted surface and grease separation of 80–92%*, the rim ventilation filter from Bosch has a multi-patented filter sealing system and flow-optimised filter system.

Extraction rates

Air extraction is measured using room volume. This is calculated by multiplying Length x Width x Height. Bosch rangehoods offer powerful maximum extraction rates for when you are cooking up a storm in the kitchen. While the variable power settings allow you to navigate just the extraction power you need for each meal.

No space for a rangehood? See our 2-in-1 cooktop with integrated ventilation on pages 50–54





Dishwashers



Design



*For dishwashers. Source: Euromonitor, volume sales, 2019.

Integrate your dishwasher for a seamless look.

Bosch under bench, semi and fully integrated dishwashers are designed to fit your new kitchen to perfection. Semi and fully integrated dishwashers can be fitted with a door panel to match the design of your kitchen cabinetry while under bench dishwashers can easily be fitted into an existing kitchen with a continuous kick panel.

Freestanding

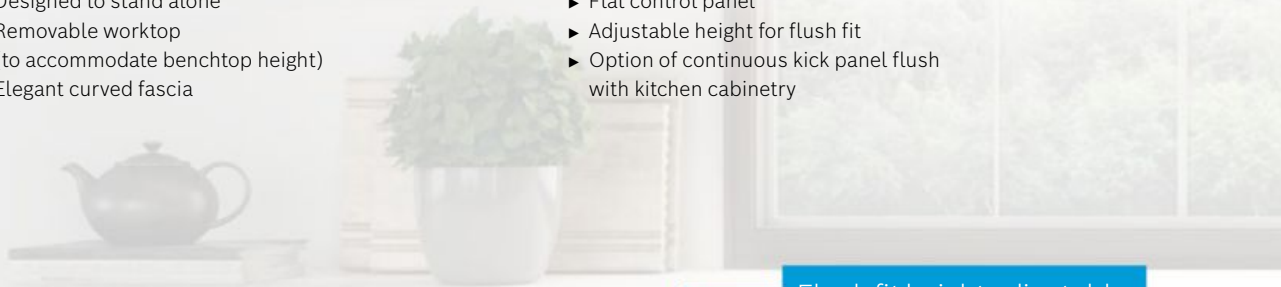
Freestanding dishwashers can be installed anywhere in your kitchen.

- ▶ Designed to stand alone
- ▶ Removable worktop (to accommodate benchtop height)
- ▶ Elegant curved fascia

Under bench

Under bench dishwashers fit into a new or existing kitchen with style.

- ▶ Flat control panel
- ▶ Adjustable height for flush fit
- ▶ Option of continuous kick panel flush with kitchen cabinetry



Flush fit height adjustable

Freestanding design

Optional stainless steel kick panel

Freestanding

Under bench



Slimline

These slimline 45cm dishwashers are ideal for kitchens with limited space.

- ▶ Available as a freestanding stand-alone model
- ▶ Available as an under bench model with adjustable height for a flush fit

Semi-integrated

Integrate your dishwasher for a seamless look.

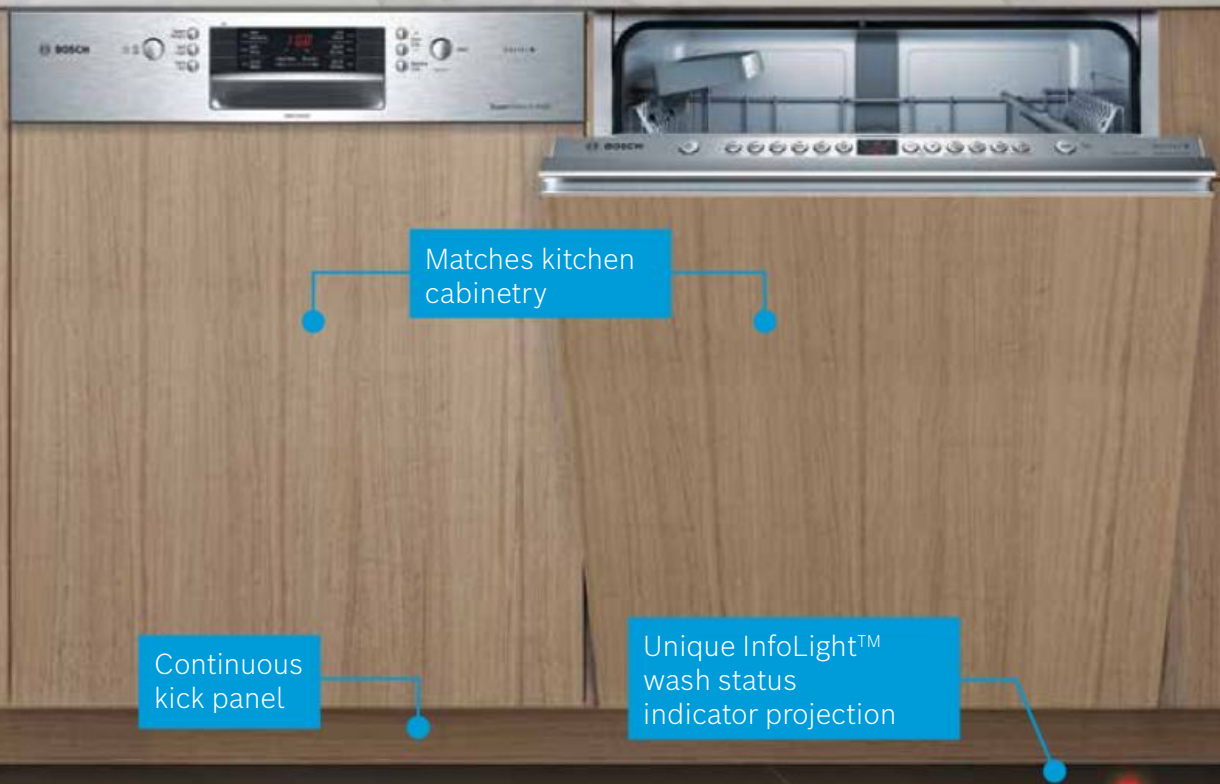
- ▶ Can be fitted with a door panel to match the design of your kitchen cabinetry*
- ▶ Continuous kick panel provides seamless integration

Fully integrated

Fully integrated dishwashers are designed to fit your new kitchen to perfection.

- ▶ Can be concealed entirely behind a door panel to match the design of your kitchen cabinetry*
- ▶ Control panel neatly integrated into the top of the dishwasher door
- ▶ Continuous kick panel provides seamless integration

*Door panel not included.



Matches kitchen cabinetry

Continuous kick panel

Unique InfoLight™ wash status indicator projection

Semi-integrated

Fully integrated

Technology

Discover the features available as standard in our range of dishwashers.

Bosch dishwashers come with many convenient features included as standard. Quieter, more efficient and with improved safety features, you can enjoy more family time and perfectly clean dishes every wash.

We've improved our standard. So you can do the same.

EcoSilence Drive®

Our advanced motor has been built to provide you with maximum efficiency, economy and durability. EcoSilence Drive® wash and drain pumps work without brushes, resulting in ultra-silent performance and top results.

DosageAssist™ detergent system

Unique to Bosch, DosageAssist™ maximises the effectiveness of the detergent tablet by dropping it into a specially engineered tray that is targeted by water jets, resulting in a tablet that dissolves evenly. For superior cleaning performance and a quieter wash.

Heat Exchanger

Uses residual heat to rinse and dry dishes, saving energy, reducing temperature shock, and providing hygienically clean results by not drawing air from outside of the dishwasher.

AquaStop™ Plus

The AquaStop™ Plus system consists of a double-walled supply hose, a safety valve, as well as a floor sump with float switch, offering 100% protection against water damage. Guaranteed by Bosch.

Last Program Used Memory

The last program used is remembered for ultimate convenience. Simply press 'Start' for clean dishes.

Anti-fingerprint finish

The anti-fingerprint stainless steel finish ensures no prints are left behind and the dishwasher always looks its best.

Child door and button locks

For added safety, the door can be locked manually to prevent children from inadvertently opening the door. The buttons can also be locked to prevent tampering during operation.

Whisper quiet washing

Bosch dishwashers are amongst the quietest in the world. With brushless motors and advanced sound insulation technology for whisper quiet operation from just 40dB. Quieter than a buzzing bee!

Three stage self-cleaning filter

An additional nozzle in the spray arm cleans the bottom of the dishwasher while also breaking down food to pass through the filter and prevent blockages.

AutoBrilliance™ automatic detergent sensor

The AutoBrilliance™ function adapts the temperature for multi-function detergent tablets, ensuring the rinse aid is fully utilised, delivering sparkling results every time.

AquaSensor™ technology

The AquaSensor™ helps you save more water as it measures the amount of soiling at the end of the pre-rinse cycle, reusing water when it can, saving up to 20% for the entire wash.



Introducing our innovative features in selected models.

Our clever dishwashers include advanced features that offer you even more convenience and flexibility.



TimeLight™

You might not hear anything coming from your dishwasher, but it may still be on. To prevent you from interrupting the cycle, the TimeLight™ illumination projects the remaining wash cycle time onto the floor when the dishwasher is in operation.



EmotionLight

Show off your sparkling clean glassware beautifully with the interior illumination from EmotionLight. The LED lights never need to be changed and will last for the lifetime of your dishwasher.



10 year anti-rust warranty

Our appliances are made from top-quality materials and, in addition to our standard appliance warranty, we provide a 10 year warranty against rusting-through of the dishwasher's stainless steel inner cavity.



InfoLight™

Selected models feature InfoLight™ – a red LED light that discreetly beams onto the floor during the wash cycle and disappears after the drying cycle is complete.



Full colour TFT display

The multi-coloured TFT display shows wash progress, time remaining, and thanks to the advanced technology, displays the predefined water and energy consumption for each wash option.



Polinox inner tub

Extremely durable, odourless and rust-free, the Polinox inner tub on Series 4 models is German engineered with robust materials that withstand dints, scratches and discolouration, based on 10 year simulation tests.



Technology

Your guide to our wash programs and options:

Wash programs

Automatic programs

By choosing the automatic program, your dishwasher will assess how soiled the items are and adjust the program time and temperature accordingly.

Eco Wash 45°C

Save on your utility bills and reduce the impact on our environment by using this water and energy efficient program for mixed loads.

Pots & Pans 70°C

An intensive wash cycle designed for heavily soiled dishes such as pans with baked-on food.

Quick 60mins 65°C

A 60 minute wash and dry cycle for dishes of various soiling levels for situations when time is of the essence.

Quick 29mins 45°C

A 29 minute* express wash designed to clean lightly soiled dishes in a short time, such as drinking glasses at a dinner party.

ExtraQuiet 40dB 50°C

Washes dishes exceptionally quietly at just 40dB, perfect for eat-in kitchens, open spaces or running your dishwasher at night.

Pre-Rinse

Uses only cold water to rinse dishes, ideal for odour reduction of dirty dishes between full wash cycles.

Glass Wash 40°C

Gently cleans glasses such as high-quality crystal stems while providing optimum drying to add an extra sparkle to your glassware.

Super Wash 60°C

With high water pressure and high temperatures, the Super Wash program leaves even the dirtiest of dishes brilliantly clean and dry.

Wash options

SpeedPerfect® & VarioSpeed

Reduces program time by up to 50% for the fastest wash possible – perfect for when time is of the essence.

ExtraDry

Uses a higher temperature final rinse, providing even better drying results. Especially useful for drying glassware and plastics.

HalfLoad Plus

Provides perfect wash performance for up to seven place settings stacked anywhere in the dishwasher while operating resource-efficiently.

Machine Care

Helps remove grime and limescale build-up from your dishwasher to keep it clean and fresh. We recommend using this function once a month or after every 30 wash cycles.

IntensiveZone™

Transforms the entire bottom basket into a power cleaning zone by increasing the water pressure, saving you the chore of scrubbing heavily soiled pots and pans.

HygienePlus™

Utilises a hotter final rinse, perfect for removing bacteria from your cooking utensils, chopping boards and baby bottles.

For baby bottles, we recommend using traditional sanitation methods in conjunction with this option.

Accessory

Wine glasses should be washed by hand. Or by Bosch.

The GlassSecure Tray protects your glasses. Designed for Bosch dishwashers equipped with any VarioFlex® basket system, this unique tray securely holds four long stemmed glasses in place. The locking mechanism lifts and secures all four glasses at once. Glasses are angled and positioned to provide optimum cleaning and drying with the highest glass protection.



Discover our flexible drawer and basket systems:



VarioDrawer™ and VarioDrawer™ Pro

A third loading level for cutlery and utensils. VarioDrawer™ Pro provides loading flexibility for larger items.



Rackmatic™ Plus

Height-adjustable upper basket provides nine different loading positions for easy loading. Can be adjusted on an angle to accommodate taller plates in the bottom basket and taller glasses in the upper basket.



Basket systems:

- Vario® 2 folding racks
- VarioFlex® 4 folding racks
- VarioFlex® Plus 8 folding racks, red touchpoints
- VarioFlex® Pro 14 folding racks, red touchpoints and premium handles

Dishwashers | Silence

So quiet we had to add a light to let you know it's running.

At Bosch we know that the kitchen is a central part of the home where people gather. With this in mind, we have designed a range of whisper quiet dishwashers with an ExtraQuiet program that operates at just 40dB. That's even quieter than the sound of a buzzing bee!

Aeroplane

120dB



Road traffic

83dB

Bosch Under bench Dishwasher
SMU88TS04A
ExtraQuiet program

40dB



Technology

Smart features to make cleaning simpler.

Now it is more important than ever to reduce germs and bacteria in your home. Which is why hygiene starts with Bosch and ends with you.



89% of surveyed customers would recommend a Bosch dishwasher with HygienePlus to their friends & family.*



HygienePlus™

Bosch Series 8 dishwashers come equipped with HygienePlus™, an antibacterial cleaning function. It increases the rinsing temperature to up to 70°C for hygienically clean dishes for your peace of mind.*

*For baby bottles, we recommend using traditional sanitation methods in conjunction with this option.

Serie | 8

SMS88TI01A



"Variety of options including the Hygiene Plus function which in today's current (coronavirus) climate is a positive"

Incentivised review.

*Average rating for SMS88TI01A is 4.7 stars.

*Source: Bosch dishwasher consumer survey, April 2020, BSH Home Appliances Pty Ltd

Fully Integrated TallTub Dishwasher

Serie | 8



Zeolith® Drying Technology

We discovered the natural mineral Zeolith® for dishwashers that absorbs water molecules and then releases them as energy. This ground-breaking technology dries your dishes quicker and more efficiently, leaving you with a streak-free shine in most delicate glassware and tableware.



AquaStop™ Plus

The AquaStop™ Plus system consists of a double-walled supply hose, a safety valve, as well as a floor sump with float switch, offering 100% protection against water damage.* Guaranteed by Bosch.

*Must be connected and switched on at the mains.



SBV88TX06A Fully Integrated TallTub Dishwasher

Key Features

- ▶ 15 International place settings
- ▶ 8 wash programs (plus 6 wash options)
- ▶ 5 Star (12 litres per wash)
- ▶ 4.5 Star energy
- ▶ 42 dB(A) rating (40dB(A) on ExtraQuiet program)
- ▶ TFT Display with SensorTouch Buttons

Convenience

- ▶ Zeolith®
- ▶ EcoSilence Drive®
- ▶ DosageAssist™
- ▶ AquaSensor™
- ▶ AutoBrilliance™
- ▶ Heat Exchanger
- ▶ 3 stage self-cleaning filter
- ▶ 1-24 hours time delay
- ▶ TimeLight™ floor projection
- ▶ EmotionLight internal lighting

Flexibility

- ▶ VarioDrawer™ Pro
- ▶ Cutlery Basket
- ▶ VarioFlexPro basket system
- ▶ Rackmatic Plus

Safety

- ▶ AquaStop™ Plus
- ▶ Child lock (door)

Dimensions (HxWxD) 865-925 x 598 x 550mm

Fully integrated dishwashers

Serie | 8



SMV88TX02A Fully Integrated Dishwasher

Key Features

- ▶ 15 place settings
- ▶ 8 wash programs (plus 6 wash options)
- ▶ 5 Star water rating (12 litres per wash)
- ▶ 4 Star energy
- ▶ 42dB(A) rating (40dB(A) on ExtraQuiet program)
- ▶ 1 TFT Display with SensorTouch buttons

Convenience

- ▶ EcoSilence Drive®
- ▶ DosageAssist™
- ▶ AquaSensor™
- ▶ AutoBrilliance™
- ▶ Heat exchanger
- ▶ 3 stage self-cleaning filter
- ▶ 1-24 hours time delay
- ▶ TimeLight™ floor projection
- ▶ EmotionLight internal lighting

Flexibility

- ▶ VarioDrawer™ Pro
- ▶ Cutlery Basket
- ▶ VarioFlex® Pro basket system
- ▶ Rackmatic™ Plus

Safety

- ▶ AquaStop™ Plus
- ▶ Child lock (door)

Serie | 6



SMV66MX01A Fully Integrated Dishwasher

Key Features

- ▶ 15 place settings
- ▶ 6 wash programs (plus 4 wash options)
- ▶ 5 Star water rating (12 litres per wash)
- ▶ 4 Star energy
- ▶ 44dB(A) rating
- ▶ LED display

Convenience

- ▶ EcoSilence Drive®
- ▶ DosageAssist™
- ▶ AquaSensor™
- ▶ AutoBrilliance™
- ▶ Heat exchanger
- ▶ 3 stage self-cleaning filter
- ▶ 1-24 hours time delay
- ▶ InfoLight™ floor projection

Flexibility

- ▶ VarioDrawer™
- ▶ Cutlery Basket
- ▶ VarioFlex® Plus basket system
- ▶ Rackmatic™ Plus

Safety

- ▶ AquaStop™ Plus
- ▶ Child lock (door)



SMV66JX01A Fully Integrated Dishwasher

Key Features

- ▶ 14 place settings
- ▶ 6 wash programs (plus 4 wash options)
- ▶ 5 Star water rating (11 litres per wash)
- ▶ 4 Star energy
- ▶ 44dB(A) rating
- ▶ LED display

Convenience

- ▶ EcoSilence Drive®
- ▶ DosageAssist™
- ▶ AquaSensor™
- ▶ AutoBrilliance™
- ▶ Heat exchanger
- ▶ 3 stage self-cleaning filter
- ▶ 1-24 hours time delay
- ▶ InfoLight™ floor projection

Flexibility

- ▶ Cutlery Basket
- ▶ VarioFlex® Plus basket system
- ▶ Rackmatic™ Plus

Safety

- ▶ AquaStop™ Plus
- ▶ Child lock (door)

Serie | 4



SMV46GX01A Fully Integrated Dishwasher

Key Features

- ▶ 14 place settings
- ▶ 6 wash programs (plus 4 wash options)
- ▶ 4 Star water rating (13.4 litres per wash)
- ▶ 4 Star energy
- ▶ 46dB(A) rating
- ▶ LED display

Convenience

- ▶ EcoSilence Drive®
- ▶ DosageAssist™
- ▶ AquaSensor™
- ▶ AutoBrilliance™
- ▶ Heat exchanger
- ▶ 3 stage self-cleaning filter
- ▶ 1-24 hours time delay
- ▶ InfoLight™ floor projection

Flexibility

- ▶ Cutlery Basket
- ▶ VarioFlex® basket system
- ▶ Rackmatic™ Plus

Safety

- ▶ AquaStop™ Plus
- ▶ Child lock (door)

Dimensions (HxWxD) 815-875 x 598 x 550mm

Semi-integrated dishwashers

Serie | 8



Serie | 6



Serie | 4



SMI88TS02A Semi-integrated Dishwasher

Key Features

- ▶ 15 place settings
- ▶ 8 wash programs (plus 6 wash options)
- ▶ 5 Star water rating (12 litres per wash)
- ▶ 4 Star energy
- ▶ 42dB(A) rating (40dB(A) on ExtraQuiet program)
- ▶ 2 TFT Displays with SensorTouch Buttons

Convenience

- ▶ EcoSilence Drive®
- ▶ DosageAssist™
- ▶ AquaSensor™
- ▶ AutoBrilliance™
- ▶ Heat exchanger
- ▶ 3 stage self-cleaning filter
- ▶ 1-24 hours time delay
- ▶ EmotionLight internal lighting

Flexibility

- ▶ VarioDrawer™ Pro
- ▶ Cutlery Basket
- ▶ VarioFlex® Pro basket system
- ▶ Rackmatic™ Plus

Safety

- ▶ AquaStop™ Plus
- ▶ Child lock (door)

SMI66MS01A Semi-integrated Dishwasher

Key Features

- ▶ 15 place settings
- ▶ 6 wash programs (plus 4 wash options)
- ▶ 5 Star water rating (12 litres per wash)
- ▶ 4 Star energy
- ▶ 44dB(A) rating
- ▶ LED display

Convenience

- ▶ EcoSilence Drive®
- ▶ DosageAssist™
- ▶ AquaSensor™
- ▶ AutoBrilliance™
- ▶ Heat exchanger
- ▶ 3 stage self-cleaning filter
- ▶ 1-24 hours time delay

Flexibility

- ▶ VarioDrawer™
- ▶ Cutlery Basket
- ▶ VarioFlex® Plus basket system
- ▶ Rackmatic™ Plus

Safety

- ▶ AquaStop™ Plus
- ▶ Child lock (buttons & door)

SMI66JS01A Semi-integrated Dishwasher

Key Features

- ▶ 14 place settings
- ▶ 6 wash programs (plus 4 wash options)
- ▶ 5 Star water rating (11 litres per wash)
- ▶ 4 Star energy
- ▶ 44dB(A) rating
- ▶ LED display

Convenience

- ▶ EcoSilence Drive®
- ▶ DosageAssist™
- ▶ AquaSensor™
- ▶ AutoBrilliance™
- ▶ Heat exchanger
- ▶ 3 stage self-cleaning filter
- ▶ 1-24 hours time delay

Flexibility

- ▶ Cutlery Basket
- ▶ VarioFlex® Plus basket system
- ▶ Rackmatic™ Plus

Safety

- ▶ AquaStop™ Plus
- ▶ Child lock (buttons & door)

SMI46GS01A Semi-integrated Dishwasher

Key Features

- ▶ 14 place settings
- ▶ 6 wash programs (plus 4 wash options)
- ▶ 4 Star water rating (13.4 litres per wash)
- ▶ 4 Star energy
- ▶ 46dB(A) rating
- ▶ LED display

Convenience

- ▶ EcoSilence Drive®
- ▶ DosageAssist™
- ▶ AquaSensor™
- ▶ AutoBrilliance™
- ▶ Heat exchanger
- ▶ 3 stage self-cleaning filter
- ▶ 1-24 hours time delay

Flexibility

- ▶ Cutlery Basket
- ▶ VarioFlex® basket system
- ▶ Rackmatic™ Plus

Safety

- ▶ AquaStop™ Plus
- ▶ Child lock (buttons & door)

Dimensions (HxWxD) 815-875 x 598 x 573mm

Under bench dishwashers

Serie | 8

Serie | 6



SMU88TS02A Under Bench Dishwasher

Key Features

- ▶ 15 place settings
- ▶ 8 wash programs (plus 6 wash options)
- ▶ 5 Star water rating (12 litres per wash)
- ▶ 4 Star energy
- ▶ 42dB(A) rating (40dB(A) on ExtraQuiet program)
- ▶ 2 TFT Displays with SensorTouch Buttons

Convenience

- ▶ EcoSilence Drive®
- ▶ DosageAssist™
- ▶ AquaSensor™
- ▶ AutoBrilliance™
- ▶ Heat exchanger
- ▶ 3 stage self-cleaning filter
- ▶ 1-24 hours time delay
- ▶ EmotionLight™ internal lighting

Flexibility

- ▶ VarioDrawer™ Pro
- ▶ Cutlery Basket
- ▶ VarioFlex® Pro basket system
- ▶ Rackmatic™ Plus

Safety

- ▶ AquaStop™ Plus
- ▶ Child lock (door)

SMP66MX03A Under Bench Dishwasher

Key Features

- ▶ 15 place settings
- ▶ 6 wash programs (plus 4 wash options)
- ▶ 5 Star water rating (12 litres per wash)
- ▶ 4 Star energy
- ▶ 44dB(A) rating
- ▶ Integrated LED display

Convenience

- ▶ EcoSilence Drive®
- ▶ DosageAssist™
- ▶ AquaSensor™
- ▶ AutoBrilliance™
- ▶ Heat exchanger
- ▶ 3 stage self-cleaning filter
- ▶ 1-24 hours time delay
- ▶ InfoLight™ floor projection

Flexibility

- ▶ VarioDrawer™
- ▶ Cutlery Basket
- ▶ VarioFlex® Plus basket system
- ▶ Rackmatic™ Plus

Safety

- ▶ AquaStop™ Plus
- ▶ Child lock (door)

SMP66MX01A Under Bench Dishwasher

Key Features

- ▶ 15 place settings
- ▶ 6 wash programs (plus 4 wash options)
- ▶ 5 Star water rating (12 litres per wash)
- ▶ 4 Star energy
- ▶ 44dB(A) rating
- ▶ Integrated LED display

Convenience

- ▶ EcoSilence Drive®
- ▶ DosageAssist™
- ▶ AquaSensor™
- ▶ AutoBrilliance™
- ▶ Heat exchanger
- ▶ 3 stage self-cleaning filter
- ▶ 1-24 hours time delay
- ▶ InfoLight™ floor projection

Flexibility

- ▶ VarioDrawer™
- ▶ Cutlery Basket
- ▶ VarioFlex® Plus basket system
- ▶ Rackmatic™ Plus

Safety

- ▶ AquaStop™ Plus
- ▶ Child lock (door)

SMU66MS02A Under Bench Dishwasher

Key Features

- ▶ 15 place settings
- ▶ 6 wash programs (plus 4 wash options)
- ▶ 5 Star water rating (12 litres per wash)
- ▶ 4 Star energy
- ▶ 44dB(A) rating
- ▶ LED display

Convenience

- ▶ EcoSilence Drive®
- ▶ DosageAssist™
- ▶ AquaSensor™
- ▶ AutoBrilliance™
- ▶ Heat exchanger
- ▶ 3 stage self-cleaning filter
- ▶ 1-24 hours time delay
- ▶ Anti-fingerprint finish

Flexibility

- ▶ VarioDrawer™
- ▶ Cutlery Basket
- ▶ VarioFlex® Plus basket system
- ▶ Rackmatic™ Plus

Safety

- ▶ AquaStop™ Plus
- ▶ Child lock (buttons & door)

Dimensions (HxWxD)
815-875 x 598 x 573mm

Serie | 4



SMU66JS01A
Under Bench Dishwasher

Key Features

- ▶ 14 place settings
- ▶ 6 wash programs (plus 4 wash options)
- ▶ 5 Star water rating (11 litres per wash)
- ▶ 4 Star energy
- ▶ 44dB(A) rating
- ▶ LED display

Convenience

- ▶ EcoSilence Drive®
- ▶ DosageAssist™
- ▶ AquaSensor™
- ▶ AutoBrilliance™
- ▶ Heat exchanger
- ▶ 3 stage self-cleaning filter
- ▶ 1-24 hours time delay
- ▶ Anti-fingerprint finish

Flexibility

- ▶ Cutlery Basket
- ▶ VarioFlex® Plus basket system
- ▶ Rackmatic™ Plus

Safety

- ▶ AquaStop™ Plus
- ▶ Child lock (buttons & door)

Dimensions (HxWxD)
815-875 x 598 x 573 mm



SMU46KS01A
Under Bench Dishwasher

Key Features

- ▶ 14 place settings
- ▶ 6 wash programs (plus 4 wash options)
- ▶ 4 Star water rating (13.4 litres per wash)
- ▶ 4 Star energy
- ▶ 46dB(A) rating
- ▶ LED display

Convenience

- ▶ EcoSilence Drive®
- ▶ DosageAssist™
- ▶ AquaSensor™
- ▶ AutoBrilliance™
- ▶ Heat exchanger
- ▶ 3 stage self-cleaning filter
- ▶ 1-24 hours time delay
- ▶ Anti-fingerprint finish

Flexibility

- ▶ VarioDrawer™
- ▶ Cutlery Basket
- ▶ VarioFlex® basket system
- ▶ Rackmatic™ Plus

Safety

- ▶ AquaStop™ Plus
- ▶ Child lock (buttons & door)

Dimensions (HxWxD)
815-875 x 598 x 573mm



SMU46GS01A
Under Bench Dishwasher

Key Features

- ▶ 14 place settings
- ▶ 6 wash programs (plus 4 wash options)
- ▶ 4 Star water rating (13.4 litres per wash)
- ▶ 4 Star energy
- ▶ 46dB(A) rating
- ▶ LED display

Convenience

- ▶ EcoSilence Drive®
- ▶ DosageAssist™
- ▶ AquaSensor™
- ▶ AutoBrilliance™
- ▶ Heat exchanger
- ▶ 3 stage self-cleaning filter
- ▶ 1-24 hours time delay
- ▶ Anti-fingerprint finish

Flexibility

- ▶ Cutlery Basket
- ▶ VarioFlex® basket system
- ▶ Rackmatic™ Plus

Safety

- ▶ AquaStop™ Plus
- ▶ Child lock (buttons & door)

Freestanding dishwashers

Stainless steel.

Serie | 8



SMS88TI01A Freestanding Dishwasher

Key Features

- ▶ 15 place settings
- ▶ 8 wash programs (plus 5 wash options)
- ▶ 5 Star water rating (12 litres per wash)
- ▶ 4 Star energy
- ▶ 42dB(A) rating
- ▶ 2 TFT Displays with SensorTouch Buttons

Convenience

- ▶ EcoSilence Drive®
- ▶ DosageAssist™
- ▶ AquaSensor™
- ▶ AutoBrilliance™
- ▶ 3 stage self-cleaning filter
- ▶ 1-24 hours time delay
- ▶ Anti-fingerprint finish
- ▶ Heat exchanger

Flexibility

- ▶ VarioDrawer™ Pro
- ▶ Cutlery Basket
- ▶ VarioFlex® Pro basket system
- ▶ Rackmatic™ Plus

Safety

- ▶ AquaStop™ Plus
- ▶ Child lock (door)

Serie | 6



SMS66MI02A Freestanding Dishwasher

Key Features

- ▶ 15 place settings
- ▶ 6 wash programs (plus 4 wash options)
- ▶ 5 Star water rating (12 litres per wash)
- ▶ 4 Star energy
- ▶ 44dB(A) rating
- ▶ Large LED display

Convenience

- ▶ EcoSilence Drive®
- ▶ DosageAssist™
- ▶ AquaSensor™
- ▶ AutoBrilliance™
- ▶ 3 stage self-cleaning filter
- ▶ 1-24 hours time delay
- ▶ Anti-fingerprint finish
- ▶ Heat exchanger

Flexibility

- ▶ VarioDrawer™
- ▶ Cutlery Basket
- ▶ VarioFlex® Plus basket system
- ▶ Rackmatic™ Plus

Safety

- ▶ AquaStop™ Plus
- ▶ Child lock (buttons & door)



SMS66JI01A Freestanding Dishwasher

Key Features

- ▶ 14 place settings
- ▶ 6 wash programs (plus 4 wash options)
- ▶ 5 Star water rating (11 litres per wash)
- ▶ 4 Star energy
- ▶ 44dB(A) rating
- ▶ Large LED display

Convenience

- ▶ EcoSilence Drive®
- ▶ DosageAssist™
- ▶ AquaSensor™
- ▶ AutoBrilliance™
- ▶ 3 stage self-cleaning filter
- ▶ 1-24 hours time delay
- ▶ Anti-fingerprint finish
- ▶ Heat exchanger

Flexibility

- ▶ Cutlery Basket
- ▶ VarioFlex® Plus basket system
- ▶ Rackmatic™ Plus

Safety

- ▶ AquaStop™ Plus
- ▶ Child lock (buttons & door)

Dimensions (HxWxD) 845 x 600 x 600mm
Height with top removed: 815mm

Serie | 4



Serie | 2



SMS46KI01A
Freestanding Dishwasher

Key Features

- ▶ 14 place settings
- ▶ 6 wash programs (plus 4 wash options)
- ▶ 4 Star water rating (13.4 litres per wash)
- ▶ 4 Star energy
- ▶ 46dB(A) rating
- ▶ LED display

Convenience

- ▶ EcoSilence Drive®
- ▶ DosageAssist™
- ▶ AquaSensor™
- ▶ AutoBrilliance™
- ▶ 3 stage self-cleaning filter
- ▶ 1-24 hours time delay
- ▶ Anti-fingerprint finish
- ▶ Heat exchanger

Flexibility

- ▶ VarioDrawer™
- ▶ Cutlery Basket
- ▶ VarioFlex® basket system
- ▶ Rackmatic™ Plus

Safety

- ▶ AquaStop™ Plus
- ▶ Child lock (buttons & door)

SMS46GI01A
Freestanding Dishwasher

Key Features

- ▶ 14 place settings
- ▶ 6 wash programs (plus 4 wash options)
- ▶ 4 Star water rating (13.4 litres per wash)
- ▶ 4 Star energy
- ▶ 46dB(A) rating
- ▶ LED display

Convenience

- ▶ EcoSilence Drive®
- ▶ DosageAssist™
- ▶ AquaSensor™
- ▶ AutoBrilliance™
- ▶ 3 stage self-cleaning filter
- ▶ 1-24 hours time delay
- ▶ Anti-fingerprint finish
- ▶ Heat exchanger

Flexibility

- ▶ Cutlery Basket
- ▶ VarioFlex® basket system
- ▶ Rackmatic™ Plus

Safety

- ▶ AquaStop™ Plus
- ▶ Child lock (buttons & door)

SMS40E08AU
Freestanding Dishwasher

Key Features

- ▶ 13 place settings
- ▶ 4 wash programs (plus 1 wash options)
- ▶ 3.5 Star water rating (13.5 litres per wash)
- ▶ 3 Star energy
- ▶ 50dB(A) rating

Convenience

- ▶ EcoSilence Drive®
- ▶ DosageAssist™
- ▶ AquaSensor™
- ▶ AutoBrilliance™
- ▶ 3 stage self-cleaning filter
- ▶ 3, 6 or 9 hours time delay
- ▶ Anti-fingerprint finish

Flexibility

- ▶ Cutlery Basket
- ▶ Vario® basket system

Safety

- ▶ AquaStop™ Plus
- ▶ Child lock (door)

Dimensions (HxWxD) 845 x 600 x 600mm
Height with top removed: 815mm



Freestanding dishwashers

White finish.

Slimline dishwashers

Stainless steel.

Serie | 6

Serie | 4



SMS66MW01A Freestanding Dishwasher

Key Features

- ▶ 15 place settings
- ▶ 6 wash programs (plus 4 wash options)
- ▶ 5 Star water rating (12 litres per wash)
- ▶ 4 Star energy
- ▶ 44dB(A) rating
- ▶ Large LED display

Convenience

- ▶ EcoSilence Drive®
- ▶ DosageAssist™
- ▶ AquaSensor™
- ▶ AutoBrilliance™
- ▶ 3 stage self-cleaning filter
- ▶ 1-24 hours time delay
- ▶ Heat exchanger

Flexibility

- ▶ VarioDrawer™
- ▶ Cutlery Basket
- ▶ VarioFlex® Plus basket system
- ▶ Rackmatic™ Plus

Safety

- ▶ AquaStop™ Plus
- ▶ Child lock (buttons & door)

Dimensions (HxWxD) 845 x 600 x 600mm
Height with top removed: 815mm

SMS46GW01A Freestanding Dishwasher

Key Features

- ▶ 14 place settings
- ▶ 6 wash programs (plus 4 wash options)
- ▶ 4 Star water rating (13.4 litres per wash)
- ▶ 4 Star energy
- ▶ 46dB(A) rating
- ▶ LED display

Convenience

- ▶ EcoSilence Drive®
- ▶ DosageAssist™
- ▶ AquaSensor™
- ▶ AutoBrilliance™
- ▶ 3 stage self-cleaning filter
- ▶ 1-24 hours time delay
- ▶ Heat exchanger

Flexibility

- ▶ Cutlery Basket
- ▶ VarioFlex® basket system
- ▶ Rackmatic™ Plus

Safety

- ▶ AquaStop™ Plus
- ▶ Child lock (buttons & door)

SPU68M05AU Slimline Under Bench Dishwasher

Key Features

- ▶ 11 place settings
- ▶ 6 wash programs (plus 2 wash options)
- ▶ 4 Star water rating (10.9 litres per wash)
- ▶ 3.5 Star energy
- ▶ 46dB(A) rating
- ▶ LED display

Convenience

- ▶ EcoSilence Drive®
- ▶ DosageAssist™
- ▶ AquaSensor™
- ▶ AutoBrilliance™
- ▶ 3 stage self-cleaning filter
- ▶ 1-24 hours time delay

Flexibility

- ▶ VarioDrawer™
- ▶ VarioFlex® basket system
- ▶ Rackmatic™ Plus

Safety

- ▶ AquaStop™ Plus
- ▶ Child lock (buttons & door)

Dimensions (HxWxD)
815-875 x 448 x 573mm

SPS60M08AU Slimline Freestanding Dishwasher

Key Features

- ▶ 10 place settings
- ▶ 6 wash programs (plus 2 wash options)
- ▶ 3.5 Star water rating (10.9 litres per wash)
- ▶ 3 Star energy
- ▶ 50dB(A) rating
- ▶ LED display

Convenience

- ▶ EcoSilence Drive®
- ▶ DosageAssist™
- ▶ AquaSensor™
- ▶ AutoBrilliance™
- ▶ 3 stage self-cleaning filter
- ▶ 1-24 hours time delay
- ▶ Anti-fingerprint finish

Flexibility

- ▶ Cutlery Basket
- ▶ Vario® basket system

Safety

- ▶ AquaStop™ Plus
- ▶ Child lock (buttons & door)

Dimensions (HxWxD)
845 x 450 x 600mm
Height with top removed:
815mm





Reference guides



Reference Guide Black Glass Ovens

Model		HSG656XB6A	HRG6769B2A	HBG6753B1A	HBG675BB2A	
		Series 8	Series 8	Series 8	Series 8	
Type		EcoClean Direct Oven with FullSteam	Pyrolytic Oven with Added Steam	Pyrolytic Oven	Pyrolytic Oven	
Dimensions	Width (cm)	60	60	60	60	
	Appliance dimensions (HxWxD)	595 x 594 x 548mm	595 x 594 x 548mm	595 x 594 x 548mm	595 x 594 x 548mm	
	Built-in dimensions (HxWxD)	585-595 x 560-568 x 550mm	585-595 x 560-568 x 550mm	585-595 x 560-568 x 550mm	585-595 x 560-568 x 550mm	
	Cavity dimensions (HxWxD)	357 x 480 x 415mm	357 x 480 x 415mm	357 x 480 x 415mm	357 x 480 x 415mm	
Heating Functions	Number of heating functions	17	17	13	13	
	4D HotAir	●	●**	●*	●*	
	3D HotAir					
	Sous-vide Cooking	●				
	Pure Steaming	●				
	HotAir Eco/Gentle	●	●^	●	●	
	Top and bottom heating	●	●**	●*	●*	
	Top and bottom heating Eco	●	●^	●	●	
	Fan assisted top and bottom heating					
	Bottom heating	●	●	●	●	
	Intensive heating		●			
	Hot air grilling	●	●**	●	●	
	Grill – large area	●	●	●	●	
	Grill – small area	●	●	●	●	
	Pizza setting	●	●^	●	●	
	Slow cooking	●	●	●	●	
	Keep warm	●	●*	●	●	
	Preheat ovenware		●	●	●	
	Drying	●	●			
	Reheating (with added steam)	●	●^			
	Dough proving (with added steam)	●	●			
	Defrost	●	●**	●	●	
	Sabbath mode	●	●	●	●	
	Automatic rapid heat function	●	●	●	●	
	Automatic temperature proposal	●	●	●	●	
	Temperature display	●	●	●	●	
	Electronic thermostat	●	●	●	●	
Sensor & Automatic Functions	Bosch Assist (Fully automated cooking)	●	●			
	PerfectBake™ sensor	●	● ¹			
	PerfectRoast™ meat probe	●	● ¹			
	AutoPilot (Automatic programs)			● (10)	● (10)	
Capacity	Volume (usable litres)	71 litres (net)	71 litres (net)	71 litres (net)	71 litres (net)	
	Water tank	1 litre (net)	1 litre (net)			
Design		Black glass	Black glass	Black glass	Black glass	
	Cavity	Anthraccite enamel cavity	Anthraccite enamel cavity	Anthraccite enamel cavity	Anthraccite enamel cavity	
	Display	TFT Touch Graphic Display	TFT Touch Graphic Display	TFT Touch Symbol Display	TFT Touch Symbol Display	
	Electronic clock/timer with end-time programming	●	●	●	●	
	Controls	Bosch Control Ring with TFT Display	Bosch Control Ring with TFT Display	Bosch Control Ring with TFT Display	Bosch Control Ring with TFT Display	
	SoftMove door technology	●	●	●	●	
	Interior light	LED	LED (ceiling) and Multi-level LED lighting (left and right side)	Halogen (ceiling)	Halogen (ceiling)	
	No. of shelf positions	5	5	5	5	
	Full glass inner door	●	●	●	●	
	Removable door	●	●	●	●	
Water tank empty indicator	●	●				
Cleaning	Pyrolytic cleaning function with compatible accessories and shelving		●	●	●	
	EcoClean Direct cleaning system	● (ceiling, sides and rear wall)				
	Catalytic cleaning system					
	Descaling	●	●			
	Drying	●	●			
Safety	Door	Triple-glazed door	Quadruple-glazed CoolTouch Door	Quadruple-glazed CoolTouch Door	Quadruple-glazed CoolTouch Door	
	Residual heat indicator	●	●	●	●	
	Automatic safety switch-off	●	●	●	●	
	Child lock function	● (controls & door)	● (controls & door)	● (controls & door)	● (controls & door)	
	Cooling fan	●	●	●	●	
Technical requirements	Maximum temperature	250°C	300°C	300°C	300°C	
	Total connected load	3.6kW	3.6kW	3.6kW	3.6kW	
	Power requirements	220-240V / 50-60Hz	220-240V / 50-60Hz	220-240V / 50-60Hz	220-240V / 50-60Hz	
Supplied accessories	Fully extendable telescopic rails	● (3-level)	● (3-level pyrolytic proof)	● (2-level pyrolytic proof)		
	No. wire racks	2	2	2	2	
	No. split grill trays	1	1 (pyrolytic proof)	1 (pyrolytic proof)	1 (pyrolytic proof)	
	No. universal pans	1	1 (pyrolytic proof)	1 (pyrolytic proof)	1 (pyrolytic proof)	
	No. baking trays					
Optional accessories	Refer to page 126 & 127		Refer to page 126 & 127		Refer to page 126 & 127	

¹ Silicon based cookware and bakeware is not compatible for use. *Compatible with Added steam function. ^Compatible with PerfectRoast™ meat probe. [†]Compatible with Rapid heat. [‡]Available at selected retailers, please visit www.bosch-home.com.au for list of stockists.

HBG63BB1B	
Series 8	
EcoClean Direct Oven	
60	
595 x 594 x 548mm	
585-595 x 560-568 x 550mm	
357 x 480 x 415mm	
10	
●	
●	
●	
●	
●	
●	
●	
●	
●	
●	
●	
●	
●	
●	
71 litres (net)	
Black glass	
Anthracite enamel cavity	
TFT Touch Symbol Display	
●	
Bosch Control Ring with TFT Display	
●	
Halogen (ceiling)	
5	
●	
●	
● (rear wall)	
Triple-glazed door	
●	
●	
● (controls)	
●	
300°C	
3.6kW	
220-240V / 50-60Hz	
2	
1	
1	
Refer to page 126 & 127	

Reference Guide Black Glass Compact Appliances

Model		CSG656RB1A Series 8	CMG633BB1A Series 8	
Type		Combination Steam Oven	Combination Microwave Oven	
Dimensions	Width (cm)	60	60	
	Appliance dimensions (HxWxD)	455 x 594 x 548mm	455 x 594 x 548mm	
	Built-in dimensions (HxWxD)	450-455 x 560-568 x 550mm	450-455 x 560-568 x 550mm	
	Cavity dimensions (HxWxD)	235 x 480 x 415mm	237 x 480 x 392mm	
Heating Functions	Number of heating functions	18	7	
	4D HotAir	● ^{*A*}	● ²	
	3D HotAir			
	HotAir Eco/Gentle	● [^]	●	
	Top and bottom heating	● ^{*A*}		
	Top and bottom heating Eco	● [^]		
	Bottom heating	●		
	Intensive heating	● [†]		
	Hot air grilling	● ^{*A}	● ²	
	Grill – large area	●	● ²	
	Grill – small area	●	● ²	
	Pizza setting	● [^]		
	Slow cooking	●		
	Keep warm	● [*]		
	Preheat ovenware	●	●	
	Drying	●		
	Reheating (using steam)	● [^]		
	Dough proving (using steam)	●		
	Defrost (using steam)	●		
	Pure Steaming	● [^]		
	Sabbath mode	●	●	
	Automatic rapid heating	● [*]	●	
	Automatic temperature proposal	●	●	
	Temperature display	●	●	
	Pure Microwave		●	
	Microwave with INNOWAVE inverter technology		● (5 power levels – 90, 180, 360, 600, 900W)	
	Electronic thermostat	●	●	
Sensor & Automatic Functions	Bosch Assist (Fully automated cooking)	●		
	PerfectBake™ sensor	● ¹		
	PerfectRoast™ meat probe	● ¹		
	AutoPilot (Automatic programs)		● (14)	
Capacity	Volume (usable litres)	47 litres (net)	45 litres (net)	
	Water tank	1 litre (net)		
Design		Black glass	Black glass	
	Cavity	Anthracite enamel cavity	Anthracite enamel cavity	
	Display	TFT Touch Graphic Display	TFT Touch Symbol Display	
	Electronic clock/timer with end-time programming	●	●	
	Controls	Bosch Control Ring with TFT Display	Bosch Control Ring with TFT Display	
	SoftMove door technology	●	●	
	Interior light	LED (ceiling)	LED (ceiling)	
	No. of shelf positions	3	3	
	Full glass inner door	●		
	Removable door	●		
	Water tank empty indicator	●		
	Cleaning	EcoClean Direct cleaning system	● (ceiling, sides and rear wall)	
		Steam cleaning system	●	
Descaling program		●		
Drying		●		
Safety	Door	Triple-glazed door	Triple-glazed door	
	Residual heat indicator	●	●	
	Automatic safety switch-off	●	●	
	Child lock function	● (controls)	● (controls)	
	Cooling fan	●	●	
Technical requirements	Maximum temperature	250°C maximum top and bottom heating temperature; 30°C–100°C steam temperature	275°C maximum temperature; 900W maximum microwave power output with 5 power levels: 90/180/360/600/900W	
	Total connected load	3.3kW	3.6kW	
	Power requirements	220–240V / 50–60Hz	220–240V / 50–60Hz	
Supplied accessories	Fully extendable telescopic rails	● (1-level)		
	No. wire racks	2	1	
	No. universal pans / Baking trays	1 pan	1 pan	
	No. non perforated steam trays	1 small		
	No. perforated steam trays	1 small, 1 extra large		
Optional accessories	Refer to page 126 & 127	Refer to page 126 & 127		

¹ Silicon based cookware and bakeware is not compatible for use. ² Compatible with Microwave function. [^]Compatible with single point meat probe. ^{*}Compatible with Rapid heat. [†]Available at selected retailers, please visit www.bosch-home.com.au for list of stockists.

Reference Guide Stainless Steel Ovens

Model		HRG675BS1B Series 8	HBA574BS0A Series 4	HBA534ES0A Series 4	HBF133BS0A Series 2
Type		Pyrolytic Oven with Added Steam	Pyrolytic Oven	EcoClean Direct Oven	EcoClean Direct Oven
Dimensions	Width (cm)	60	60	60	60
	Appliance dimensions (HxWxD)	595 x 594 x 548mm	595 x 594 x 548mm	595 x 594 x 548mm	595 x 594 x 548mm
	Built-in dimensions (HxWxD)	585-595 x 560-568 x 550mm	585-595 x 560-568 x 550mm	585-595 x 560-568 x 550mm	575-597 x 560-568 x 550mm
	Cavity dimensions (HxWxD)	357 x 480 x 415mm	357 x 480 x 415mm	357 x 480 x 415mm	329 x 479 x 420mm
Heating Functions	Number of heating functions	13	7	7	5
	4D HotAir	●*			
	3D HotAir		●*	●*	●*
	HotAir Eco/Gentle	●	●	●	●
	Top and bottom heating	●*	●	●	●
	Top and bottom heating Eco	●			
	Fan assisted top and bottom heating				
	Bottom heating	●	●	●	
	Intensive heating				
	Hot air grilling	●	●	●	●
	Grill – large area	●	●	●	●
	Grill – small area	●			
	Pizza setting	●	●	●	
	Slow cooking				
	Keep warm				
	Preheat ovenware				
	Drying				
	Reheating (with added steam)				
	Dough proving (with added steam)				
	Defrost	●			
	Sabbath mode	●			
	Rapid heat function	●	●	●	●
	Automatic temperature proposal	●			
Temperature display	●	●			
Electronic thermostat	●				
Sensor & Automatic Functions	Bosch Assist (Fully automated cooking)				
	PerfectBake™ sensor				
	PerfectRoast™ meat probe				
	Single point meat probe				
	AutoPilot (Automatic programs)	● (10)	● (10)		
Capacity	Volume (usable litres)	71 litres (net)	71 litres (net)	71 litres (net)	66 litres (net)
Design		Stainless steel and black glass	Stainless steel with metal bar handle	Stainless steel with metal bar handle	Stainless steel with metal bar handle
	Cavity	Anthracite enamel cavity	Grey enamel cavity	Grey enamel cavity	Grey enamel cavity
	Display	TFT Touch Symbol Display	LED-display control (red)	LED-display control (red)	LED-display control (red)
	Electronic clock/timer with end-time programming	●	●	●	●
	Controls	Bosch Control Ring with TFT Display	Retractable rotary control knobs	Retractable rotary control knobs	Retractable rotary control knobs
	SoftClose door	●			
	Interior light	Halogen (ceiling)	Halogen (ceiling)	Halogen (ceiling)	Halogen (ceiling)
	No. of shelf positions	5	5	5	5
	Full glass inner door	●	●	●	●
	Removable door	●	●	●	●
Cleaning	Pyrolytic cleaning function	●	●		
	EcoClean Direct cleaning system			● (rear wall)	● (rear wall)
	Catalytic cleaning system				
Safety	Door	Quadruple-glazed CoolTouch Door	Quadruple-glazed CoolTouch door	Triple-glazed door	Triple-glazed door
	Residual heat indicator	●			
	Automatic safety switch-off	●	●		
	Child lock function	● (controls & door)	● (controls & door)	● (controls)	● (controls)
	Cooling fan	●	●	●	●
Technical requirements	Maximum temperature	300°C	50-275°C	50-275°C	50-275°C
	Total connected load	3.6kW	3.6kW	3.4kW	3.3kW
	Power requirements	220-240V / 50-60Hz	220-240V / 50-60Hz	220-240V / 50-60Hz	220-240V / 50-60Hz
Supplied accessories	ClipRail telescopic rails				
	Partially extendable telescopic rails			● (1-level)	
	No. wire racks	2	2	2	1
	No. split grill trays	1 (pyrolytic proof)	1	1	
	No. universal pans	1 (pyrolytic proof)	1	1	1
	No. baking trays				1
Optional accessories	No. of half trays (slimline universal pans)				
		Refer to page 126 & 127	Refer to page 126 & 127	Refer to page 126 & 127	Refer to page 126 & 127

Reference Guide Stainless Steel Compact Appliances

Model		CSG656RS2A Series 8	CMG633BS1B Series 8
Type		Combination Steam Oven	Combination Microwave Oven
Dimensions	Width (cm)	60	60
	Appliance dimensions (HxWxD)	455 x 594 x 548mm	455 x 594 x 548mm
	Built-in dimensions (HxWxD)	450–455 x 560–568 x 550mm	450–455 x 560–568 x 550mm
	Cavity dimensions (HxWxD)	235 x 480 x 415mm	237 x 480 x 392mm
Heating Functions	Number of heating functions	18	7
	4D HotAir	● ^{1A*}	● ²
	3D HotAir		
	Hot Air		
	HotAir Eco/Gentle	● ^A	●
	Top and bottom heating	● ^{1A*}	
	Top and bottom heating Eco	● ^A	
	Bottom heating	●	
	Intensive heating	● [#]	
	Hot air grilling	● ^{1A}	● ²
	Grill – large area	●	● ²
	Grill – small area	●	● ²
	Pizza setting	● ^A	
	Slow cooking	●	
	Keep warm	● [#]	
	Preheat ovenware	●	●
	Drying	●	
	Reheating (using steam)	● ^A	
	Dough proving (using steam)	●	
	Defrost (using steam)	●	
	Pure Steaming	● ^A	
	Sabbath mode	●	●
	Automatic rapid heating	●	●
	Automatic temperature proposal	●	●
	Temperature display	●	●
	Pure Microwave		●
	Microwave with INNOWAVE inverter technology		● (5 power levels – 90, 180, 360, 600, 900W)
Electronic thermostat	●	●	
Sensor & Automatic Functions	Bosch Assist (Fully automated cooking)	●	
	PerfectBake™ sensor	● ¹	
	PerfectRoast™ meat probe	● ¹	
	AutoPilot (Automatic programs)		● (14)
Capacity	Volume (usable litres)	47 litres (net)	45 litres (net)
	Water tank	1 litre (net)	
Design		Stainless steel and black glass	Stainless steel and black glass
	Cavity	Anthracite enamel cavity	Anthracite enamel cavity
	Display	TFT Touch Graphic Display	TFT Touch Symbol Display
	Electronic clock/timer with end-time programming	●	●
	Controls	Bosch Control Ring with TFT Display	Bosch Control Ring with TFT Display
	SoftMove door technology	●	●
	Interior light	LED (ceiling)	LED (ceiling)
	No. of shelf positions	3	3
	Full glass inner door	●	
	Removable door	●	
	Water tank empty indicator	●	
Cleaning	EcoClean Direct cleaning system	● (ceiling, sides and rear wall)	
	Steam cleaning system	●	
	Descaling program	●	
	Drying	●	
Safety	Door	Triple-glazed door	Triple-glazed door
	Residual heat indicator	●	●
	Automatic safety switch-off	●	●
	Child lock function	● (controls)	● (controls)
	Cooling fan	●	●
Technical requirements	Maximum temperature	250°C maximum top and bottom heating temperature; 30°C–100°C steam temperature	275°C maximum temperature; 900W maximum microwave power output with 5 power levels: 90/180/360/600/900W
	Total connected load	3.3kW	3.6kW
	Power requirements	220–240V / 50–60Hz	220–240V / 50–60Hz
Supplied accessories	Fully extendable telescopic rails	● (1-level)	
	Partially extendable telescopic rails		
	No. wire racks	1	1
	No. universal pans / Baking trays	1 pan	1 pan
	No. non perforated steam trays	1 small	
	No. perforated steam trays	1 small, 1 extra large	
	Cleaning sponge		
	Grid high / Grid flat		
Turntable			
Plug-in grid / Glass pan / Steam container			
Optional accessories	Refer to page 126 & 127	Refer to page 126 & 127	

¹ Silicon based cookware and bakeware is not compatible for use. *Compatible with Added steam function. ^ACompatible with PerfectRoast™ meat probe. [#]Compatible with Rapid heat. ² Compatible with Microwave function.

Reference Guide Microwave Oven

Model	BEL554MS0A Series 6	
Type	Microwave	
Dimensions	Width (cm)	60
	Appliance dimensions (HxWxD)	382 x 594 x 388mm
	Built-in dimensions (HxWxD)	382 x 560 x 550mm
	Cavity dimensions (HxWxD)	208 x 328 x 369mm
Heating Functions	Number of heating functions	
	4D HotAir	
	3D HotAir	
	Hot Air	
	HotAir Eco/Gentle	
	Top and bottom heating	
	Top and bottom heating Eco	
	Bottom heating	
	Intensive heating	
	Hot air grilling	
	Grill – large area	● (1200W)
	Grill – small area	
	Pizza setting	
	Slow cooking	
	Keep warm	
	Preheat ovenware	
	Drying	
	Reheating (using steam)	
	Dough proving (using steam)	
	Defrost (using steam)	
	Pure Steaming	
	Sabbath mode	
	Automatic rapid heating	
	Automatic temperature proposal	
	Temperature display	
	Pure Microwave	● (5 power levels – 90, 180, 360, 600, 900W)
Microwave with INNOWAVE inverter technology		
Electronic thermostat		
Sensor & Automatic Functions	Bosch Assist (Fully automated cooking)	
	PerfectBake™ sensor	
	PerfectRoast™ meat probe	
	AutoPilot (Automatic programs)	● (8)
Capacity	Volume (usable litres)	25 litres (net)
	Water tank	
Design		Black glass with stainless steel trims
	Cavity	Stainless steel
	Display	LED-display control (white)
	Electronic clock/timer with end-time programming	●
	Controls	Retractable rotary control knobs
	SoftMove door technology	
	Interior light	LED (ceiling)
	No. of shelf positions	
	Full glass inner door	●
	Removable door	●
Cleaning	Water tank empty indicator	
	EcoClean Direct cleaning system	
	Steam cleaning system	
	Descaling program	
Safety	Drying	
	Door	Single-glazed door
	Residual heat indicator	
	Automatic safety switch-off	●
	Child lock function	
Technical requirements	Cooling fan	
	Maximum temperature	
	Total connected load	1.45kW
Supplied accessories	Power requirements	220–230V / 50Hz
	Fully extendable telescopic rails	
	Partially extendable telescopic rails	
	No. wire racks	
	No. universal pans / Baking trays	
	No. non perforated steam trays	
	No. perforated steam trays	
	Cleaning sponge	
	Grid high / Grid flat	1 high
Turntable	●	
Optional accessories	Plug-in grid / Glass pan / Steam container	
		Refer to page 126 & 127

Reference Guide 90cm Ovens

Model	VBD578FS0 Series 6	VBC578FS0 Series 6	VBC5540S0 Series 4	
Type	Pyrolytic Oven	Pyrolytic Oven	EcoClean Direct Oven	
Dimensions	Width (cm)	90	90	
	Appliance dimensions (HxWxD)	594 x 896 x 570mm	475 x 896 x 572mm	475 x 896 x 572mm
	Built-in dimensions (HxWxD)	600-604 x 860-864 x 560mm	477-480 x 860-864 x 560mm	477-480 x 860-864 x 560mm
	Cavity dimensions (HxWxD)	371 x 724 x 417mm	282 x 724 x 417mm	282 x 724 x 417mm
Heating Functions	Number of heating functions	10	10	7
	4D HotAir			
	3D HotAir	●	●	●
	HotAir Eco/Gentle			
	Top and bottom heating	●	●	●
	Top and bottom heating Eco	●	●	●
	Fan assisted top and bottom heating	●	●	
	Bottom heating	●	●	●
	Intensive heating			
	Hot air grilling	●	●	●
	Grill - large area	●	●	●
	Grill - small area			
	Pizza setting	●	●	●
	Rotisserie	●	●	
	Slow cooking			
	Keep warm			
	Preheat ovenware			
	Drying			
	Reheating (with added steam)			
	Dough proving (with added steam)			
	Defrost	●	●	
Sabbath mode				
Automatic rapid heat function	●	●	●	
Automatic temperature proposal				
Temperature display	●	●		
Electronic thermostat	●	●		
Sensor & Automatic Functions	Bosch Assist (Fully automated cooking)			
	PerfectBake™ sensor			
	PerfectRoast™ meat probe			
	Single point meat probe			
	AutoPilot (Automatic programs)			
Capacity	Volume (usable litres)	112 litres (net)	85 litres (net)	85 litres (net)
Design		Stainless steel with metal bar handle	Stainless steel with metal bar handle	Stainless steel with metal bar handle
	Cavity	Grey enamel cavity	Grey enamel cavity	Grey enamel cavity
	Display	LCD-display control (white)	LCD-display control (white)	LED-display control (red)
	Electronic clock/timer with end-time programming	●	●	●
	Controls	Retractable rotary control knobs	Retractable rotary control knobs	Retractable rotary control knobs
	SoftClose door			
	Interior light	2 Halogen (left and right side walls)	2 Halogen (left and right side walls)	2 Halogen (left and right side walls)
	No. of shelf positions	5	4	4
	Full glass inner door	●	●	●
	Removable door	●	●	●
Cleaning	Pyrolytic cleaning function	●	●	
	EcoClean Direct cleaning system			● (sides and rear wall)
	Catalytic cleaning system			
Safety	Door	Quadruple-glazed CoolTouch door	Quadruple-glazed CoolTouch door	Triple-glazed door
	Residual heat indicator	●	●	
	Automatic safety switch-off	●	●	●
	Child lock function	● (controls & door)	● (controls & door)	● (controls)
	Cooling fan	●	●	●
Technical requirements	Maximum temperature	50-280°C	50-280°C	30-250°C
	Total connected load	4.2kW	3.3kW	3.1kW
	Power requirements	220-240V / 50-60Hz	220-240V / 50-60Hz	220-240V / 50-60Hz
Supplied accessories	ClipRail telescopic rails	1	1	1
	Partially extendable telescopic rails			
	No. wire racks	2	2	1
	No. split grill trays	1 universal pan insert grid	1 universal pan insert grid	
	No. universal pans	1	1	1
	No. baking trays	1	1	1
No of rotary spit	1	1		
Optional accessories		Refer to page 126 & 127	Refer to page 126 & 127	Refer to page 126 & 127

Reference Guide Double Ovens

Model		MBG5787S0A	MBA534BS0A
		Series 6	Series 4
Type		Pyrolytic Double Oven	EcoClean Direct Double Oven
Dimensions	Width (cm)	60	60
	Appliance dimensions (HxWxD)	888 x 594 x 550mm	888 x 594 x 550mm
	Built-in dimensions (HxWxD)	875-888 x 560-568 x 550mm	875-888 x 560-568 x 550mm
	Cavity dimensions (HxWxD)	166 x 480 x 426mm (top) 357 x 480 x 415mm (bottom)	166 x 480 x 426mm (top) 357 x 480 x 415mm (bottom)
Heating Functions	Number of heating functions	4 (top) and 10 (bottom)	3 (top) and 7 (bottom)
	4D HotAir		
	3D HotAir	●* (bottom)	●* (bottom)
	HotAir Eco/Gentle	● (bottom)	● (bottom)
	Top and bottom heating	●* (top and bottom)	●* (top and bottom)
	Top and bottom heating Eco		
	Fan assisted top and bottom heating		
	Bottom heating	● (top and bottom)	● (bottom)
	Intensive heating		
	Hot air grilling	● (bottom)	● (bottom)
	Grill – large area	● (top and bottom)	● (top and bottom)
	Grill – small area	● (top)	● (top)
	Pizza setting	● (bottom)	● (bottom)
	Slow cooking	● (bottom)	
	Keep warm	● (bottom)	
	Preheat ovenware		
	Drying		
	Reheating (with added steam)		
	Dough proving (with added steam)		
	Defrost	● (bottom)	
	Sabbath mode	●	
	Automatic rapid heat function	●	
	Automatic temperature proposal	●	
Temperature display	●		
Electronic thermostat	●		
Sensor & Automatic Functions	Bosch Assist (Fully automated cooking)		
	PerfectBake™ sensor		
	PerfectRoast™ meat probe		
	Single point meat probe	●	
Capacity	Volume (usable litres)	34 litres (net) top 71 litres (net) bottom	34 litres (net) top 71 litres (net) bottom
Design		Stainless steel with metal bar handle	Stainless steel with metal bar handle
	Cavity	Grey enamel cavity	Grey enamel cavity
	Display	LCD-display control (white)	LED-display control (red)
	Electronic clock/timer with end-time programming	●	●
	Controls	Retractable rotary control knobs	Retractable rotary control knobs
	SoftClose door	●	
	Interior light	Halogen 1 (top) and 1 (bottom)	Halogen 1 (top) and 1 (bottom)
	No. of shelf positions	3 (top) and 5 (bottom)	3 (top) and 5 (bottom)
	Full glass inner door	●	●
	Removable door	●	●
Cleaning	Pyrolytic cleaning function	●	
	EcoClean Direct cleaning system		● (rear wall)
	Catalytic cleaning system		
Safety	Door	Quadruple-glazed CoolTouch door (top and bottom)	Triple-glazed door (top and bottom)
	Residual heat indicator		
	Automatic safety switch-off		
	Child lock function	● (controls & door)	● (controls)
	Cooling fan	●	●
Technical requirements	Maximum temperature	30–275°C	50–275°C
	Total connected load	6.3kW	5.9kW
	Power requirements	220–240V / 50–60Hz	220–240V / 50–60Hz
Supplied accessories	ClipRail telescopic rails	1	
	Partially extendable telescopic rails	● (1-level – bottom)	
	No. wire racks	2	2
	No. split grill trays	1	1
	No. universal pans	1	1
No. baking trays			
No. of half trays (slimline universal pans)			
Optional accessories		Refer to page 126 & 127	Refer to page 126 & 127

*Compatible with Rapid heat

Reference Guide Freestanding Cookers

Model		HSB838357A Series 8	HSB738357A Series 6	HXR39KI50A Series 4	HXU09AH50A Series 4
Type		Dual Fuel Pyrolytic Cooker	Dual Fuel Cooker	Dual Fuel Cooker	Dual Fuel Cooker
Dimensions	Width (cm)	90cm	90cm	60cm	60
	Appliance dimensions (HxWxD)	900 x 898 x 600mm	900 x 898 x 600mm	850 x 600 x 600mm	850 x 600 x 600mm
Heating Functions	Oven				
	Number of heating functions	10	8	7	8
	HotAir	●	●	●	●
	Hot Air Eco / Gentle	●	●	●	●
	Top and bottom Heating	●	●	●	●
	Top and bottom Heating Eco	●	●	●	●
	Fan assisted top and bottom Heating	●	●	●	●
	Hot Air and bottom heat	●	●	●	●
	Bottom heat	●	●	●	●
	Bottom heating and fan	●	●	●	●
	Pizza setting	●	●	●	●
	Automatic rapid heat function	●	●	●	●
	Hot Air grilling	●	●	●	●
	Grill - large area	●	●	●	●
Rotisserie	●	●	●	●	
Defrost	●	●	●	●	
Capacity	Volume (usable litres)	112	112	66	66
Design	Cavity	Grey enamel cavity	Grey enamel cavity	Grey enamel cavity	Grey enamel cavity
	Display	LED-display control (red)	LED-display control (red)	LED-display control (red)	LED-display control (red)
	Electronic clock/timer	●	●	●	●
	Controls	Sword control knobs	Sword control knobs	Retractable rotary control knobs	Retractable rotary control knobs
	SoftClose door	●	●	●	●
	Interior light	2 Halogen lights (left and right)	2 Halogen lights (left and right)	1 Halogen light	1 Halogen light
	No. of shelf positions	5	5	5	5
	Full glass inner door	●	●	●	●
	Removable door	●	●	●	●
	21cm utensil drawer	●	●	●	●
Height adjustable legs (50mm)	●	●	●	●	
Cleaning	Pyrolytic cleaning function	●	●	●	●
	EcoClean Direct cleaning system	●	●	● (ceiling, sides and rear wall)	●
Safety	Catalytic liners	●	● (sides and rear wall)	●	●
	Door	Quadruple-glazed CoolTouch door	Triple-glazed door	Triple-glazed door	Triple-glazed door
Safety	Residual heat indicator	●	●	●	●
	Automatic safety switch-off	●	●	●	●
	Child lock function	● (controls & door)	● (controls)	● (controls)	● (controls)
	Cooling fan	●	●	●	●
Burner / Zone Output (Size)	Cooktop				
		6 burners including:	6 burners including:	4 burners including:	4 burners including:
	Front left	Wok burner 14 MJ/h	Wok burner 14 MJ/h	Wok burner 13.5 MJ/h	Wok burner 13.6 MJ/h
	Rear left	Standard burner 7 MJ/h	Standard burner 7 MJ/h	Standard burner 6.5 MJ/h	Standard burner 6.85 MJ/h
	Front centre	High-speed burner 12 MJ/h	High-speed burner 12 MJ/h		
	Middle centre				
	Rear centre	Economy burner 4 MJ/h	Economy burner 4 MJ/h		
	Front right	Economy burner 4 MJ/h	Economy burner 4 MJ/h	Economy burner 4 MJ/h	Economy burner 4 MJ/h
Rear right	Standard burner 7 MJ/h	Standard burner 7 MJ/h	Standard burner 6.5 MJ/h	Standard burner 6.85 MJ/h	
Convenience	Continuous enamelled cast-iron trivets with rubber feet	●	●	●	●
	Flame failure fitted to each burner	●	●	●	●
Safety	Flame failure fitted to each burner	●	●	●	●
	Flame failure fitted to each burner	●	●	●	●
Controls	Sword knob controls	●	●	●	●
	Sword knob controls	●	●	●	●
Technical requirements	Maximum temperature	260°C	260°C	50–275°C	50–275°C
	Total connected load	4.2kW	3.2kW	3.3kW	3.3kW
	Power requirements	220–240V / 50–60Hz	220–240V / 50–60Hz	220–240V / 50–60Hz	220–240V / 50–60Hz
Supplied accessories	Partially extendable telescopic rails	1	1	2	2
	No. of wire racks	1	1	2	2
	No. of split grill trays	1 universal pan insert grid	1 universal pan insert grid	1	1
	No. of universal pans	1	1	1	1
	No of baking trays	1	1	1	1
	No. of rotary spit	1	1	1	1
	Wok ring support	1	1	1	1
	Espresso cross support	1	1	1	1
	LPG conversion kit	●	●	●	●
	4 piece cookware set	●	●	●	●
Optional accessories	4 piece cookware set	●	●	●	●
	Stainless steel wok HEZ390042	●	●	●	●
Other	Suitable for NG and LPG	●	●	●	●

Model		HLS79R350A Series 6	HKS79R250A Series 6
Type		Induction/Pyrolytic Cooker	Ceramic/Pyrolytic Cooker
Dimensions	Width (cm)	60cm	60cm
	Appliance dimensions (HxWxD)	850 x 600 x 600mm	850 x 600 x 600mm
Heating Functions	Oven		
	Number of heating functions	8	8
	3D HotAir	●	●
	Hot Air Eco / Gentle	●	●
	Top and bottom Heating	●	●
	Bottom Heating	●	●
	Hot air grilling	●	●
	Grill - large area	●	●
	Pizza setting	●	●
	Slow cooking	●	●
	Sabbath mode	●	●
	Automatic rapid heat function	●	●
	Automatic temperature proposal	●	●
	Temperature display	●	●
Electronic thermostat	●	●	
AutoPilot (Automatic programs)	● (30)	● (30)	
Capacity	Volume (usable litres)	66	63
Design	Cavity	Grey enamel cavity	Grey enamel cavity
	Display	LCD-display control (white)	LCD-display control (white)
	Electronic clock/timer	●	●
	Controls	Retractable rotary control knobs	Retractable rotary control knobs
	SoftClose door	●	●
	Interior light	1 Halogen light	1 Halogen light
	No. of shelf positions	5	5
	Full glass inner door	●	●
	Removable door	●	●
	21cm utensil drawer	●	●
Height adjustable legs (50mm)	●	●	
Cleaning	Pyrolytic cleaning function	●	●
Safety	Door	Quadruple-glazed CoolTouch door	Quadruple-glazed CoolTouch door
	Automatic safety switch-off	●	●
	Child lock function	● (controls & door)	● (controls & door)
	Cooling fan	●	●
Burner / Zone Output (Size)	Cooktop		
		4 zones including:	4 zones including:
	Front left	CombiZone: 1.8kW (180mm)	Standard zone: 1.8kW (180mm)
	Rear left	CombiZone: 1.8kW (180mm)	Dual circuit zone: 2.4kW (170 / 260mm)
	Front right	Standard zone: 2.2kW (210mm)	Dual circuit zone: 2.2kW (120 / 210mm)
Rear right	Standard zone: 1.4kW (145mm)	Standard zone: 1.2kW (145mm)	
Performance	17-stage power setting	●	
	9-stage power setting		●
	PowerBoost	●	
	MoveMode	●	
	CombiZone	●	
Convenience	WipeProtection	●	
	QuickStart	●	
	ReStart	●	
	Energy consumption display	●	
	Dual function timer with automatic switch-off	●	
Automatic pot detection	●		
Safety	Child lock	●	
	2-stage residual heat indicator	●	●
Technical requirements	Maximum temperature	30–300°C	30–300°C
	Total connected load	7.85kW	10.85kW
	Power requirements	220–240V / 50–60Hz	220–240V / 50–60Hz
Supplied accessories	No. of wire racks	2	2
	No. of split grill trays	1	1
	No. of universal pans	1 (pyro-proof)	1 (pyro-proof)
	No of baking trays	1 (pyro-proof)	1 (pyro-proof)
Optional accessories	4 piece cookware set HEZ3900042	●	●

Reference Guide Coffee Machines

Model		CTL636ES6 Series 8	CTL636EB6 Series 8	
Type		Built-in fully-automatic coffee machine	Built-in fully-automatic coffee machine	
Dimensions	Appliance dimensions (HxWxD)	455 x 594 x 375mm	455 x 594 x 375mm	
	Built-in dimensions (HxWxD)	449 x 558 x 354mm	449 x 558 x 354mm	
Design	Stainless steel and black glass	●		
	Black glass		●	
Flavour	SensoFlow System: Heating system for maximum and constant brewing temperature	●	●	
	AromaPro Concept: Optimal aroma extraction	●	●	
	One-touch preparation: Ristretto, Espresso, Espresso Macchiato, Coffee, Cappuccino, Latte Macchiato, Caffè Latte at the touch of a button	●	●	
	AromaDouble Shot: Extra-strong coffee with less bitterness thanks to two grinding and brewing processes	●	●	
	Beverage temperature adjustable individually: coffee 3 levels, hot water 4 levels	●	●	
	Including BRITA Intenza water filter: Reduces the lime content of water and filters substances affecting smell and taste	●	●	
	Convenience	TFT Touch Graphic Display with interactive menu	●	●
		MyCoffee: Save 8 favourite beverages with individual names and adjustable mixing ratio of milk and espresso	●	●
		IndividualCup Volume: Cup sizes adjustable individually, to ensure your cup gets filled just as far as you would like	●	●
		Coffee outlet and milk frother height-adjustable: Up to 15cm high Latte Macchiato glasses fit underneath	●	●
OneTouch DoubleCup: Prepare two cups simultaneously for all coffee and milk specialities		●	●	
Water tank removable for easy refilling		● (2.4 litre volume)	● (2.4 litre volume)	
Early warning if water tank almost empty or bean container almost empty		●	●	
Flexible milk solution: Decide for yourself if you prefer connecting the provided milk container or using any other container, e.g. a milk carton		●	●	
Short user manual always at hand inside appliance		●	●	
Performance		SilentCeram Drive: Quiet, premium grinder made from non-wearing ceramic	●	●
	CoffeeSensor Pro: Automatically adjusts grinding unit to bean variety	●	●	
	One-touch coffee milk specialities with especially fine-pored milk froth thanks to an innovative milk frother	●	●	
	In addition to beverages also available separately: milk foam, warm milk, hot water	●	●	
	Reduced heat-up time: Fastest first cup	●	●	
	Water pump with 19 bar pressure	●	●	
	Separate chute for ground coffee	●	●	
	15,000 cup warranty: Consistently high appliance quality from the first cup to the 15,000th (valid for non-commercial use within 24 months)	●	●	
	Hygiene	Removable brewing unit: Easy and hygienic cleaning under running water	●	●
AutoMilk Clean: Automatically steam cleans the milk system after every beverage		●	●	
Milk frother removable and dishwasher-proof		●	●	
SinglePortion Cleaning: Complete emptying of all pipes after each brewing process		●	●	
Technical requirements	Electrical connection rating	1600W	1600W	
	Current	10A	10A	
	Voltage	220-240V / 50-60Hz	220-240V / 50-60Hz	
Supplied accessories	1 BRITA water filter cartridge	●	●	
	1 measuring spoon	●	●	
	1 milk container (insulated), connection hose and pipe	●	●	
	1 test strip	●	●	
	1 set assembly screws	● (9)	● (9)	

Reference Guide Warming Drawers

Model		BIC630NS1A Series 8	BIC630NB1A Series 8
Type		60cm Built-in Warming Drawer	60cm Built-in Warming Drawer
Dimensions (HxWxD)	Appliance dimensions	140 x 594 x 548mm	140 x 594 x 548mm
	Built-in dimensions	140 x 560-568 x 550mm	140 x 560-568 x 550mm
	Internal dimensions	92 x 468 x 458mm	92 x 468 x 458mm
Heating functions	Base element and fan heating with 4 power levels	●	●
Suitable for	Slow cooking	●	●
	Proving yeast dough	●	●
	Defrosting	●	●
	Keeping food warm	●	●
	Pre-warming cups, plates and ovenware	●	●
Temperature range	From approx. 40-80°C	●	●
Design		Stainless steel and black glass	Black glass
	Cavity	20 litre interior drawer volume	20 litre interior drawer volume
	Electronic rotary temperature control	●	●
	Inner compartment ceramic glass base	●	●
Technical requirements	Max. weight load	25kg	25kg
	Total connected load	0.81kW	0.81kW
	Voltage	220-240V / 50-60Hz	220-240V / 50-60Hz



Reference Guide 2-in-1 Cooktop with integrated ventilation

Model		PVS851F21E
Type		Series 6
Type		2-in-1 Cooktop with integrated ventilation
Dimensions	Width (cm)	80
	Appliance dimensions (WxD)	802 x 522mm
	Built-in dimensions (WxD)	198 x 780 x 490-500mm
Design		Black ceramic glass, frameless with beveled front and sides
Burner / Zone Output (Size)		4 zones including:
	Front left	CombiZone: 2.2kW / 3.7kW (210mm)
	Rear left	CombiZone: 2.2kW / 3.7kW (210mm)
	Front right	Standard zone: 1.8kW / 3.1kW (180mm)
	Rear right	Standard zone: 1.4kW / 2.2kW (145mm)
Performance	17-stage power setting	●
	PerfectFry™ Sensor	● (4 levels)
	PowerBoost	●
	CombiZone	●
	MoveMode	2 Auto Power Levels
	WipeProtection	●
Convenience	QuickStart	●
	ReStart	●
	Energy consumption display	●
	Dual function timer with automatic switch-off	●
	Automatic pot detection	●
	Child lock	●
	2-stage residual heat indicators	●
Safety	Automatic safety shut-off	●
	DirectSelect 1.0	●
	Electronic touch-controls	●
Extraction rate according to EN 61591 (ducted)	Maximum normal use	551m ³ /h
	Intensive	689m ³ /h
Extraction rate according to EN 61591 (recirculated)	Maximum normal use	557m ³ /h
	Intensive	620m ³ /h
Ventilation performance	Suitable for ducted or recirculated extraction (accessory is respectively required)	●
	Ducted extraction kit	HEZ381401
	Recirculation extraction kit	HEZ381501
	Power levels	9
	Intensive setting with automatic switch back to previous setting 6 min	●
	Residual shutdown with automatic run-on time 30 min	●
	AutoOn	●
	EcoSilence Drive® brushless motor	●
	Noise* level (ducted)	Noise levels (min/max)
Intensive		75 dB
Noise* level (recirculated)	Noise levels (min/max)	42dB / 73dB
	Intensive	75dB
Cleaning	Saturation indicator	●
	Cast-iron air inlet grid, heat resistant, dishwasher safe	●
	Dishwasher safe 12 layer stainless steel grease filters	●
	200ml dishwasher safe liquid collector unit	●
	2000ml dishwasher safe liquid spillover safety tank	●
Technical requirements	Total connected load	6.9kW
	Power requirements	220-240V / 50-60Hz
	Minimum worktop thickness	20mm
Optional accessories	Griddle plate HEZ390522	●
	Teppan Yaki Large (40 x 20cm) HEZ390512	●
	4 piece cookware set HEZ3900042	●
	Stainless steel roasting pan with lid HEZ390011	●
	Stainless steel wok HEZ390090	●
	PerfectFry™ Sensor induction pan 21cm HEZ390230	●

Reference Guide Electric Cooktops

Model		PXV975DV1E Series 8	PIV975DC1E Series 8	PXE875DC1E Series 8	PVS875FB5E Series 6	PXE651FC1E Series 6	PVS675FB5E Series 6	PUE611BB1E Series 4
Type		FlexInduction®	Induction	FlexInduction®	CombiInduction®	FlexInduction®	CombiInduction®	Induction
Dimensions	Width (cm)	90	90	80	80	60	60	60
	Appliance dimensions (WxD)	916 x 527mm	916 x 527mm	816 x 527mm	816 x 527mm	592 x 522mm	606 x 527mm	592 x 522mm
	Cut-out dimensions (WxD)	880 x 490–500mm	880 x 490–500mm	750–780 x 490–500mm	750–780 x 490–500mm	560 x 490–500mm	560 x 490–500mm	560 x 490–500mm
Design		Black ceramic glass, stainless steel slimline side profile, beveled front and rear	Black ceramic glass, stainless steel slimline side profile, beveled front and rear	Black ceramic glass, stainless steel slimline side profile, beveled front and rear	Black ceramic glass, beveled front, sides and back with stainless steel trim	Black ceramic glass, frameless with beveled front and sides	Black ceramic glass, beveled front and back with stainless steel trim	Black ceramic glass, beveled front
Burner / Zone Output (Size)		5 zones including:	5 zones including:	4 zones including:	4 zones including:	4 zones including:	4 zones including:	4 zones including:
	Front left	FlexZone: 2.2kW / 3.7kW Boost (200 x 230mm)	Standard zone: 1.8kW / 3.1kW Boost (180mm)	FlexZone: 2.2kW / 3.7kW Boost (200 x 240mm)	CombiZone: 2.2kW / 3.7kW Boost (190 x 210mm)	FlexZone: 2.2kW / 3.7kW Boost (240 x 200mm)	CombiZone: 2.2kW / 3.7kW Boost (190 x 210mm)	Standard zone: 1.8kW / 3.1kW Boost (180mm)
	Rear left	FlexZone: 2.2kW / 3.7kW Boost (200 x 230mm)	Standard zone: 1.8kW / 3.1kW Boost (180mm)	FlexZone: 2.2kW / 3.7kW Boost (200 x 240mm)	CombiZone: 2.2kW / 3.7kW Boost (190 x 210mm)	FlexZone: 2.2kW / 3.7kW Boost (240 x 200mm)	CombiZone: 2.2kW / 3.7kW Boost (190 x 210mm)	Standard zone: 1.8kW / 3.1kW Boost (180mm)
	Front centre							
	Rear centre	Triple circuit zone: 2.2kW, 2.6kW, 3.3kW / 4.4kW, 5.5kW, 3.7kW Boost (210 / 260 / 320mm)	Triple circuit zone: 2.2kW, 2.6kW, 3.3kW / 4.4kW, 5.5kW, 3.7kW Boost (210 / 260 / 320mm)					
	Front right	FlexZone: 2.2kW / 3.7kW Boost (200 x 230mm)	Standard zone: 2.2kW / 3.7kW Boost (210mm)	Standard zone: 1.4kW / 2.2kW (145mm)	Standard zone: 1.4kW / 2.2kW (145mm)	Standard zone: 2.2kW / 3.7kW (210mm)	Standard zone: 1.8kW / 3.1kW (180mm)	Standard zone: 2.2kW / 3.7kW (210mm)
	Rear right	FlexZone: 2.2kW / 3.7kW Boost (200 x 230mm)	Standard zone: 1.4kW / 2.2kW Boost (145mm)	Standard zone: 2.6kW / 3.7kW (280mm)	Standard zone: 2.6kW / 3.7kW (280mm)	Standard zone: 1.4kW / 2.2kW (145mm)	Standard zone: 1.4kW / 2.2kW (145mm)	Standard zone: 1.4kW / 2.2kW (145mm)
		*Total FlexZone: 3.3kW / 3.7kW Boost (400 x 230mm)		*Total FlexZone: 3.3kW / 3.6kW Boost (400 x 240mm)	*Total CombiZone: 3.6kW (380 x 210mm)		*Total CombiZone: 3.6kW (380 x 210mm)	
Performance	17-stage power setting	●	●	●	●	●	●	●
	9-stage power setting							
	PerfectFry™ Sensor	●	●	●		● (4 levels)		
	PowerBoost	●	●	●	●	●	●	●
	ShortBoost	●	●	●				
	FlexZone	●		●		●		
	CombiZone				●		●	
MoveMode	3 Auto Power Levels		3 Auto Power Levels	2 Auto Power Levels		2 Auto Power Levels		
Convenience	WipeProtection	●	●	●	●	●	●	●
	Keep Warm	●	●	●				●
	QuickStart	●	●	●	●	●	●	●
	ReStart	●	●	●	●	●	●	●
	Energy consumption display	●	●	●	●	●	●	●
	Dual function timer with automatic switch-off	●	●	●	●	●	●	●
	Automatic pot detection	●	●	●	●	●	●	●
Automatic boil start								
Safety	Child lock	●	●	●	●	●	●	●
	2-stage residual heat indicators	●	●	●	●	●	●	●
	Residual heat indicator							
Automatic safety switch-off	●	●	●	●	●	●	●	
Electronic touch-controls	DirectSelect Premium	●	●	●				
	DirectSelect 1.0				●	●	●	●
	TouchSelect							
Sword control knobs								
Technical requirements	Total connected load	11.1kW	11.1kW	7.4kW	7.4kW	7.4kW	6.9kW	7.4kW
	Power requirements	220–240V / 50–60Hz	220–240V / 50–60Hz	220–240V / 50–60Hz	220–240V / 50–60Hz	220–240V / 50–60Hz	220–240V / 50–60Hz	220–240V / 50–60Hz
	Minimum worktop thickness	30mm (see space requirements for oven)	30mm (see space requirements for oven)	30mm (see space requirements for oven)	30mm (see space requirements for oven)	30mm (see space requirements for oven)	30mm (see space requirements for oven)	30mm (see space requirements for oven)
Optional accessories	Griddle plate HEZ390522	●		●	●	●	●	
	Teppan Yaki Large (40 x 20cm) HEZ390512	●		●	●	●	●	
	4 piece cookware set HEZ3900042	●	●	●	●	●	●	●
	Stainless steel roasting pan with lid HEZ390011	●		●	●	●	●	
	Stainless steel wok HEZ390090	●	●	●	●	●	●	●
	PerfectFry™ Sensor induction pan 21cm HEZ390230	●	●	●		●		

PIJ611BB1E Series 4	PKM875DP1A Series 8	PKG775DB1A Series 8	PKN675DB1A Series 8	PKE611D17A Series 4	PKE611CA1A Series 2
Induction	Ceramic	Ceramic	Ceramic	Ceramic	Ceramic
60	80	70	60	60	60
592 x 522mm	816 x 527mm	710 x 527mm	606 x 527mm	592 x 522mm	583 x 513mm
560 x 490–500mm	780 x 500mm	560–640 x 490–500mm (fits cut-out for 60cm)	560 x 500mm	560 x 490–500mm	560 x 490–500mm
Black ceramic frameless glass	Black ceramic glass, stainless steel slimline side profile, beveled front and rear	Black ceramic glass, stainless steel slimline side profile, beveled front and rear	Black ceramic glass, stainless steel slimline side profile, beveled front and rear	Black ceramic frameless glass	Black ceramic frameless glass
3 zones including:	4 zones including:	4 zones including:	4 zones including:	4 zones including:	4 zones including:
	Dual circuit zone: 1.2kW / 2.1kW (145 / 210mm)	Standard zone: 1.2kW (145mm)	Standard zone: 2kW (180mm)	Standard zone: 1.2kW (145mm)	Standard zone: 1.2kW (145mm)
Standard zone: 2.6kW / 3.7kW (280mm)	Standard zone: 1.2kW (145mm)	Dual circuit zone: 0.8kW / 2.0kW (120 / 180mm)	Standard/roaster zone: 1.8kW / 2.6kW (170 / 265mm)	Standard zone: 2.0kW (180mm)	Standard zone: 2.2kW (210mm)
	Dual circuit zone: 1.7kW / 2.4kW (180 / 230mm)				
Standard zone: 2.2kW / 3.7kW (210mm)	Dual circuit/roaster zone: 1kW / 2kW / 3.4kW / 4.6kW (120 / 180 / 270 / 370mm)	Dual circuit zone: 0.75kW / 2.2kW (120 / 210mm)	Dual circuit zone: 1kW / 2.2kW (145 / 210mm)	Standard zone: 2.2kW (210mm)	Standard zone: 2.0kW (180mm)
Standard zone: 1.4kW / 2.2kW (145mm)		Standard zone: 1.2kW (145mm)	Standard zone: 1.2kW (145mm)	Standard zone: 1.2kW (145mm)	Standard zone: 1.2kW (145mm)
●	●	●	●	●	●
●	●				
	●	●	●		
●	●	●	●	●	
●	●	●	●	●	
	●	●	●		
●	●	●	●	●	
●	●	●	●	●	
	●	●	●		
●	●	●	●	●	
	●	●	●		
7.4kW	11.2kW	6.6kW	7.5kW	6.6kW	6.6kW
220–240V / 50–60Hz	220–240V / 50–60Hz	220–240V / 50–60Hz	220–240V / 50–60Hz	220–240V / 50–60Hz	220–240V / 50–60Hz
20mm (30mm over oven, see space requirements for oven)	20mm (see space requirements for oven)	20mm (see space requirements for oven)	20mm (see space requirements for oven)	20mm (see space requirements for oven)	20mm (see space requirements for oven)
●	●	●	●	●	●
●	●	●	●	●	●

Reference Guide Gas Cooktops

Model		PPS9A6B90A Series 6	PPQ7A6B20A Series 6	PPH6A6B20A Series 6	PCT9A5B90A Series 6
Type		Gas	Gas	Gas	Gas
Dimensions	Width (cm)	90	75	60	90
	Appliance dimensions (WxD)	915 x 520mm	752 x 520mm	590 x 520mm	915 x 520mm
	Cut-out dimensions (WxD)	850–852 x 490–502mm	560–562 x 480–492mm	560–562 x 480–492mm	850–852 x 490–502mm
Design		Black tempered frameless glass	Black tempered frameless glass	Black tempered frameless glass	Stainless Steel
Burner / Zone Output		5 burners including:	5 burners including:	4 burners including:	6 burners including:
	Front left		Economy burner 4 MJ/h	Standard Burner 6.85 MJ/h	Dual flame wok burner 19.5 MJ/h
	Centre left	Wok burner 15 MJ/h			
	Rear left		Standard burner 6.85 MJ/h	Standard burner 6.85 MJ/h	Standard burner 6.85 MJ/h
	Front centre	Economy burner 4 MJ/h			Economy burner 4 MJ/h
	Middle centre		Wok burner 15 MJ/h		
	Rear centre	Standard burner 6.85 MJ/h			Standard burner 6.85 MJ/h
	Front right	Standard burner 6.85 MJ/h	Standard Burner 6.85 MJ/h	Economy burner 4 MJ/h	Dual flame wok burner 19.5 MJ/h
	Centre right				
Rear right	High-speed burner 11 MJ/h	High-speed burner 11 MJ/h	Wok burner 13.6 MJ/h	High-speed burner 11 MJ/h	
Convenience	FlameSelect® valve technology (precise control in 9 steps)	●	●	●	●
	Individual cast-iron trivets with rubber feet	●	●	●	
	3 piece cast-iron trivets with rubber feet				●
	2 piece cast-iron trivets with rubber feet				
	Steel trivets with cast iron finish and rubber feet				
	Steel trivets with rubber feet				
	Enamelled cast-iron burner caps	●	●	●	●
Safety	Flame failure fitted to each burner	●	●	●	●
Controls	Sword knob controls	●	●	●	●
Technical requirements	Total connected load	43.7 MJ/h	43.7 MJ/h	31.3 MJ/h	67.7 MJ/h
	Power requirements	240V / 50Hz	240V / 50Hz	240V / 50Hz	240V / 50Hz
	Minimum worktop thickness	30mm	30mm	30mm	30mm
Supplied accessories	Wok ring support	●	●	●	●
	Espresso cross support	●	●	●	●
	LPG conversion kit	●	●	●	●
Optional accessories	4 piece cookware set HEZ390042	●	●	●	●
	Stainless steel wok HEZ390090	●	●	●	●
Other	Suitable for NG or LPG	●	●	●	●

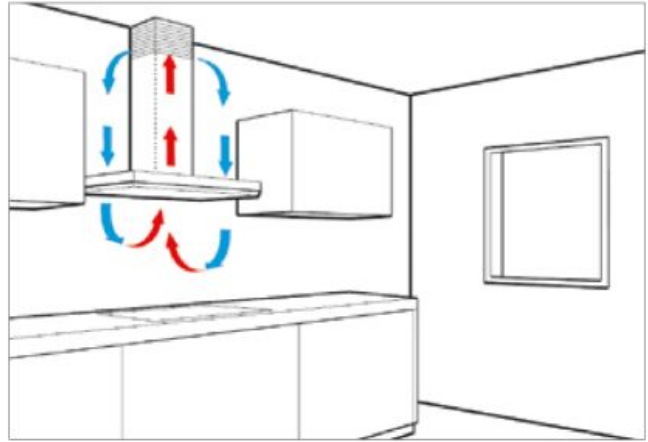
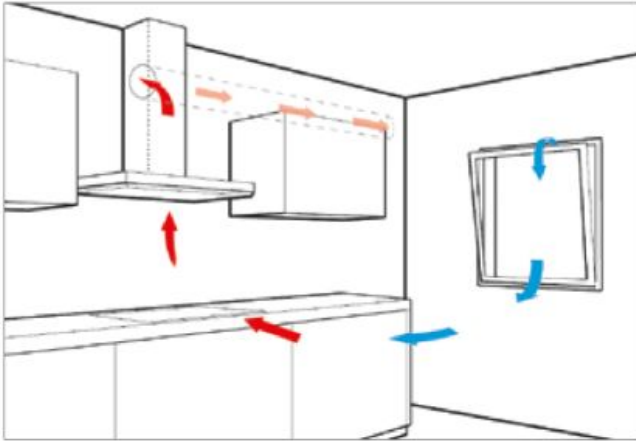


Reference Guide Rangehoods

Model	DWB91PR50A Series 8	DWB97LM50A Series 6	DWB96BC50A Series 2	DWP96BC50A Series 2	DWP66BC50A Series 2	DWB65BC50A Series 2	
Type	Canopy	Canopy	Canopy	Canopy	Canopy	Canopy	
Dimensions	Width (cm)	90	90	90	90	60	60
	Appliance dimensions (HxWxD)	628–954 x 898 x 500mm (ducted) or 628–1064 x 898 x 500mm (recirculating)	628–954 x 898 x 500mm (ducted) or 628–1064 x 898 x 500mm (recirculating)	635–965 x 900 x 500mm (ducted) or 635–1075 x 900 x 500mm (recirculating)	799–975 x 900 x 500mm (ducted or recirculating)	799–975 x 600 x 500mm (ducted or recirculating)	450–830 x 598 x 500mm (ducted) or 550–830 x 598 x 500mm (recirculating)
	Built-in Dimensions (HxWxD)						
Design		Stainless steel	Stainless steel	Stainless steel	Stainless steel	Stainless steel	Stainless steel
	TouchControls	●	●				
	Lightline	●					
	LED-display		●				
	On/Off main switch control	●	●	●	●	●	●
	Electronic controls for power and light	●	●				
	Push button controls for power and light			●	●	●	●
	Slide controls for power and light						
	Rocker switches for power and light						
	Concealed power and light controls						
Lighting	3 x 1.5W LED SoftLights with dimmer function	3 x 1.5W LED lights	2 x 1.5W LED lights	2 x 1.5W LED lights	2 x 1.5W LED lights	2 x 3W LED lights	
Power functions	Maximum extraction rate	964m ³ /h	697m ³ /h	590m ³ /h	600m ³ /h	570m ³ /h	580m ³ /h
	3 power levels plus 2 intensive settings	●					
	3 power levels plus 1 intensive setting		●				
	3 power levels			●	●	●	●
	Intensive setting with automatic switch back to previous setting 6 min	●	●				
	Residual shutdown with automatic run-on time 1–10 min	●					
	Rim ventilation system						
	EcoSilence Drive® brushless motor	●	●				
	Powerful single motor with twin fan			●	●	●	●
	Powerful twin motor						
Powerful single motor							
Noise*	Noise min. / max.	45dB / 64dB	45dB / 55dB	49dB / 70dB	51dB / 69dB	49dB / 69dB	48dB / 69dB
	Noise max. (intensive setting)	73dB	66dB				
	Sound insulation mats	●	●				
Convenience	PerfectAir sensor	●					
	Cooktop-based hood control ready	●					
	Dual layer metal grease filters	●	●				
	Dishwasher-safe metal grease filter	● (3)	● (3)	● (3)	● (3)	● (2)	● (2)
	Saturation indicator for filters	●					
Back-pressure flap (one-way)	●	●	●	●	●	●	
Technical requirements	Total connected load	265W	145W	220W	220W	220W	216W
	Power requirements	220–240V / 50Hz	220–240V / 50Hz	220–240V / 50Hz	220–240V / 50–60Hz	220–240V / 50–60Hz	220–240V / 50Hz
	Ducting connection diameter	120 and 150mm	120 and 150mm	120 and 150mm	120 and 150mm	120 and 150mm	120 and 150mm
Included accessories							
Optional accessory	Recirculation kit	DHZ5345	DHZ5345	DWZ0DX0U0	DHZ5275	DHZ5275	DHZ5325
	Charcoal filter for recirculation						
	Stainless steel pelmet for front controls						
	Installation kit for 90cm cupboard						
Other	Ducted and recirculated air operation	●	●	●	●	●	●

Rangehood extraction options

There are two ways to clean the air in your kitchen: ducting or recirculation. Both methods remove odours effectively. Choose the best extraction option for your kitchen:



Ducted extraction

- ✓ Ducting is the most effective way to clear the air in your kitchen.
- ✓ A ducted rangehood directs air from the kitchen to the outside through a metal duct.
- ✓ The rangehood needs to be situated on or close to an outside wall, so the outside can be reached via ducting.

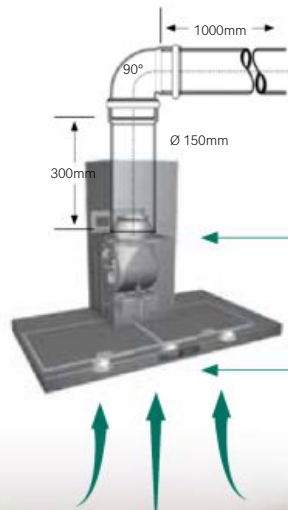
Recirculation kit

- ✓ Odours are extracted and filtered, through a carbon filter, then purified air is returned to the room.
- ✓ Can be installed anywhere – without the need to install a duct pipe through the wall or ceiling.
- ✓ To maintain performance, the carbon filter needs to be replaced on a regular basis.

DID YOU KNOW?

There are different types of air extraction measurements.

At Bosch, we adopt a stringent method in accordance with the European measurement standard EN 61591.



Bosch Air Extraction Measurement

Measurement of net fan power at air outlet above motor in appliance **with connection to ducting system**

Other Hood Performance Measurements

Measurement of net fan power at air outlet above motor in appliance **without connection to ducting system**



Calculate the extraction power you need

When choosing a rangehood, always match its air extraction power to the size of your kitchen. An effective rangehood should be able to replace the air in your kitchen up to 12 times per hour.

Extraction rate needed for your hood

Kitchen size	Volume of kitchen (L x W x H) (m ³)	x 12 =	Max. Extraction rate needed
Small	3 x 4 x 2.5m	x 12 =	360m³/h
Medium	4 x 4 x 2.5m	x 12 =	480m³/h
Large	4 x 5 x 2.5m	x 12 =	600m³/h
Open plan*	4 x 8 x 2.5m	x 12 =	720m³/h

Calculate yourself

x 12 =

* For open plan kitchens 50% of the adjacent room to the kitchen is added to the extraction rate calculations.
Above example:
 Open plan room size: 4m x 8m x 2.5m
 Actual kitchen size: 4m x 4m x 2.5m
 Extraction rate calculations: 4m x 6m x 2.5m

Height: 2.5m

Length: 4m

Width: 4m

Reference Guide Dishwashers




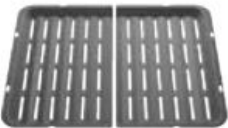











Model		SBV88TX06A	SMV88TX02A	SMV66MX01A	SMV66JX01A	SMV46GX01A	SMI88TS02A	
		Series 8	Series 8	Series 6	Series 6	Series 4	Series 8	
Type		Fully Integrated	Fully Integrated	Fully Integrated	Fully Integrated	Fully Integrated	Semi-integrated	
Water	Star rating (litres per wash)	5 Star (12L)	5 Star (12L)	5 Star (12L)	5 Star (11L)	4 Star (13.4L)	5 Star (12L)	
Energy	Star rating (kWh per year)	4.5 Star (205 kWh)	4 Star (235 kWh)	4 Star (235 kWh)	4 Star (220 kWh)	4 Star (230 kWh)	4 Star (235 kWh)	
Dimensions	Appliance dimensions (HxWxD)	865–925 x 598 x 550mm	815–875 x 598 x 550mm	815–875 x 598 x 550mm	815–875 x 598 x 550mm	815–875 x 598 x 550mm	815–875 x 598 x 573mm	
Capacity	International place settings	15	15	15	14	14	15	
Design	Interior tub material	Stainless steel	Stainless steel	Stainless steel	Stainless steel	Polinox	Stainless steel	
	Display type	1 TFT Display	1 TFT Display	LED	LED	LED	2 TFT Displays	
	TallTub	●						
	TimeLight™ Floor Projection	●	●					
	InfoLight™ Floor Projection			●	●	●		
	EmotionLight internal lighting	●	●				●	
	Anti-fingerprint finish							
	SensorTouch Buttons	●	●				●	
	Wash programs	Auto Gentle 35–45°C	●	●				●
		Auto Wash 45–65°C	●	●	●	●	●	●
Auto Intensive 65–75°C		●	●	●	●		●	
Eco Wash 45°C		●	●	●	●	●	●	
Normal 45°C								
Intensive 65°C								
Pots & Pans 70°C						●		
Glass Wash 40°C			●				●	
Super Wash 60°C				●	●	●		
Quick Wash 60min 65°C		●	●	●	●		●	
Quick Wash 29min 45°C*		●	●	●	●	●	●	
Pre-Rinse		●				●		
ExtraQuiet 40dB 50°C		●	●				●	
Wash options		SpeedPerfect® / VarioSpeed	●	●	●	●	●	●
	HalfLoadPlus	●	●	●	●	●	●	
	IntensiveZone™		●				●	
	HygienePlus™	●	●				●	
	Machine Care	●	●	●	●	●	●	
	ExtraDry		●	●	●	●	●	
	Remote Start	●						
	Shine&Dry with Zeolith®	●						
ActiveWater Features	AutoBrilliance™	●	●	●	●	●	●	
	AquaSensor™	●	●	●	●	●	●	
	DosageAssist™ detergent system	●	●	●	●	●	●	
	EcoSilence Drive®	●	●	●	●	●	●	
	3 stage self-cleaning filter	●	●	●	●	●	●	
	Heat Exchanger	●	●	●	●	●	●	
Flexibility	VarioDrawer™ (cutlery drawer)	Pro	Pro	●			Pro	
	Basket System	VarioFlex® Pro	VarioFlex® Pro	VarioFlex® Plus	VarioFlex® Plus	VarioFlex®	VarioFlex® Pro	
	Rackmatic™ Plus	●	●	●	●	●	●	
	Top basket roll on/roll off adjust							
Accessories	Cutlery basket	●	●	●	●	●	●	
	GlassSecure tray	●	●				●	
	3 small item clips			●	●	●		
	Large Item Sprayhead	●	●	●	●	●	●	
	Toe kick panel							
	Vapour barrier plate	●	●	●	●	●	●	
Convenience	dB rating / ExtraQuiet rating	42dB / 40dB	42dB / 40dB	44dB	44dB	46dB	42dB / 40dB	
	Time delay	1–24 hours	1–24 hours	1–24 hours	1–24 hours	1–24 hours	1–24 hours	
Safety	AquaStop™ Plus	●	●	●	●	●	●	
	Child button lock							
	Child door lock	●	●	●	●	●	●	

Reference Guide Dishwashers

Model		SMU66JS01A Series 6	SMU46KS01A Series 4	SMU46GS01A Series 4	SMS88TI01A Series 8	SMS66MI02A Series 6	SMS66JI01A Series 6	
Type		Under Bench	Under Bench	Under Bench	Freestanding Stainless Steel	Freestanding Stainless Steel	Freestanding Stainless Steel	
Water	Star rating (litres per wash)	5 Star (11L)	4 Star (13.4L)	4 Star (13.4L)	5 Star (12L)	5 Star (12L)	5 Star (11L)	
Energy	Star rating (kWh per year)	4 Star (220 kWh)	4 Star (230 kWh)	4 Star (230 kWh)	4 Star (235 kWh)	4 Star (235 kWh)	4 Star (220 kWh)	
Dimensions	Appliance dimensions (HxWxD)	815–875 x 598 x 573mm	815–875 x 598 x 573mm	815–875 x 598 x 573mm	845 x 600 x 600mm Height with top removed: 815mm	845 x 600 x 600mm Height with top removed: 815mm	845 x 600 x 600mm Height with top removed: 815mm	
Capacity	International place settings	14	14	14	15	15	14	
Design	Interior tub material	Stainless steel	Polinox	Polinox	Stainless steel	Stainless steel	Stainless steel	
	Display type	LED	LED	LED	2 TFT Displays	Large LED	Large LED	
	TallTub							
	TimeLight™ Floor Projection							
	InfoLight™ Floor Projection							
	EmotionLight internal lighting							
	Anti-fingerprint finish	●	●	●	●	●	●	
	SensorTouch Buttons				●			
	Wash programs	Auto Gentle 35–45°C				●		
		Auto Wash 45–65°C	●	●	●	●	●	●
Auto Intensive 65–75°C		●			●	●	●	
Eco Wash 45°C		●	●	●	●	●	●	
Normal 45°C								
Intensive 65°C								
Pots & Pans 70°C			●	●				
Glass Wash 40°C					●			
Super Wash 60°C		●	●	●	●	●	●	
Quick Wash 60min 65°C		●				●	●	
Quick Wash 29min 45°C*		●	●	●	●	●	●	
Pre-Rinse			●	●	●			
ExtraQuiet 40dB 50°C								
Wash options	SpeedPerfect® / VarioSpeed	●	●	●	●	●	●	
	HalfLoadPlus	●	●	●	●	●	●	
	IntensiveZone™				●			
	HygienePlus™				●			
	Machine Care	●	●	●		●	●	
	ExtraDry	●	●	●	●	●	●	
	Remote Start							
	Shine&Dry with Zeolith®							
ActiveWater Features	AutoBrilliance™	●	●	●	●	●	●	
	AquaSensor™	●	●	●	●	●	●	
	DosageAssist™ detergent system	●	●	●	●	●	●	
	EcoSilence Drive®	●	●	●	●	●	●	
	3 stage self-cleaning filter	●	●	●	●	●	●	
	Heat Exchanger	●	●	●	●	●	●	
Flexibility	VarioDrawer™ (cutlery drawer)		●		Pro	●		
	Basket System	VarioFlex® Plus	VarioFlex®	VarioFlex®	VarioFlex® Pro	VarioFlex® Plus	VarioFlex® Plus	
	Rackmatic™ Plus	●	●	●	●	●	●	
	Top basket roll on/roll off adjust							
Accessories	Cutlery basket	●	●	●	●	●	●	
	GlassSecure tray							
	3 small item clips	●	●	●		●	●	
	Large Item Sprayhead	●	●	●	●	●	●	
	Toe kick panel	●	●	●	●	●	●	
	Vapour barrier plate	●	●	●				
Convenience	dB rating / ExtraQuiet rating	44dB	46dB	46dB	42dB	44dB	44dB	
	Time delay	1–24 hours	1–24 hours	1–24 hours	1–24 hours	1–24 hours	1–24 hours	
Safety	AquaStop™ Plus	●	●	●	●	●	●	
	Child button lock	●	●	●	●	●	●	
	Child door lock	●	●	●	●	●	●	

Accessories

Look online at www.bosch-home.com.au/store to purchase Bosch accessories and spare parts:

Oven and Cooker Accessories			
	<p>Wire rack for universal pan HEZ324000</p> <p>Fits into the universal pan for all grilling applications. Universal pan and wire rack can be removed together.</p> <p>To suit all Bosch Series 8 60cm ovens</p>		<p>Lid for Professional pan HEZ633001</p> <p>To suit Bosch Series 8 60cm ovens</p>
	<p>Pizza stone HEZ327000</p> <p>Pizza baking stone with wooden bread paddle. Baking stone is pyrolytic proof.</p> <p>To suit all Bosch 60cm ovens</p>		<p>Professional pan, enamelled – pyrolytic proof HEZ633073</p> <p>To suit Bosch Series 8 60cm ovens</p>
	<p>Stainless steel roasting pan HEZ390011</p> <p>Stainless steel roasting pan with glass lid, induction suitable.</p> <p>To suit all Bosch 60cm ovens</p>		<p>Wire rack (standard) HEZ634000</p> <p>To suit all Bosch Series 8 60cm ovens</p>
	<p>Split grill tray, enamelled – pyrolytic proof HEZ625071</p> <p>To suit Bosch Series 8 60cm ovens, 60cm combination steam and microwave ovens</p>		<p>Glass pan HEZ636000</p> <p>To suit all Bosch Series 8 60cm ovens and 60cm combination steam and microwave ovens</p>
	<p>Enamelled baking tray – pyrolytic proof HEZ631070</p> <p>To suit Bosch Series 8 60cm ovens, 60cm combination steam and microwave ovens</p>		<p>2-level telescopic rails, full extension – pyrolytic proof HEZ638270</p> <p>To suit Bosch Series 8 60cm ovens</p>
	<p>Universal pan, enamelled – pyrolytic proof HEZ632070</p> <p>To suit Bosch Series 8 60cm ovens, 60cm combination steam and microwave ovens</p>		<p>3-level telescopic rails, full extension – pyrolytic proof HEZ638370</p> <p>To suit Bosch Series 8 60cm ovens</p>
	<p>Universal pan with ceramic non-stick coating HEZ532010</p> <p>To suit all Bosch Series 6 and 4 60cm ovens</p>		<p>ClipRail telescopic rails HEZ538000</p> <p>To suit all Bosch Series 6 and 4 60cm ovens</p>
	<p>Baking tray with ceramic non-stick coating HEZ531010</p> <p>To suit all Bosch Series 6 and 4 60cm ovens</p>		<p>2-level telescopic extension rails HEZ538200</p> <p>To suit all Bosch Series 6 and 4 60cm ovens</p>
	<p>Half trays (slimline universal pan) HEZ530000</p> <p>Slim sizes trays are perfect when cooking smaller quantities of food.</p> <p>To suit all Bosch Series 6 and 4 60cm ovens. Consists of 2 parts and fits perfectly in Bosch dishwashers and Bosch integrated fridges</p>		<p>Wire rack (microwave) HEZ634080</p> <p>To suit Bosch Series 8 60cm microwave ovens CMG633BS1B</p>
			<p>Heat resistant and dishwasher safe glass dish HEZ864000</p> <p>To suit Bosch Series 8 60cm ovens</p>

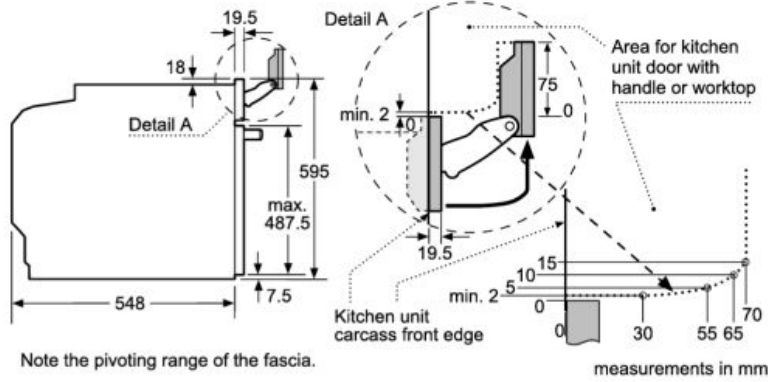
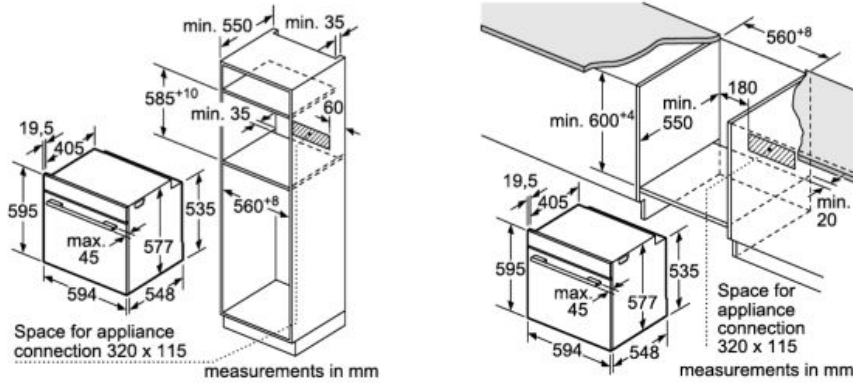
Cooktop Accessories		
	<p>Griddle plate HEZ390522</p> <p>For use on two combined cooking zones. Evens heat to perfectly grill your favourite meats, fish or vegetables.</p> <p>To suit Bosch FlexInduction® and CombiInduction® cooktops PXV975DV1E, PXE875DC1E, PXE651FC1E, PVS875FB5E, PVS675FB5E</p>	
	<p>Teppan Yaki Large – HEZ390512</p> <p>Enjoy induction the Japanese way! Try beef, prawns, scallops, lobster, chicken and chopped vegetables. Also great for steamers and available in 40 x 20cm size.</p> <p>To suit Bosch FlexInduction® and CombiInduction® cooktops PXV975DV1E, PXE875DC1E, PVS875FB5E, PVS675FB5E</p>	
	<p>Stainless steel roasting pan (optional with steamer inset) HEZ390011</p> <p>Cook large dishes without hot spots for results you'll be delighted with. A high performance roasting pan that no induction kitchen should be without. For use on two combined cooking zones.</p> <p>To suit all Bosch 60cm ovens</p>	
	<p>PerfectFry™ sensor induction pan 21cm HEZ390230</p> <p>To suit Bosch PerfectFry™ sensor induction cooktops PXV975DV1E, PXE875DC1E, PXE651FC1E, PIV995DC1E, PIV975DC1E</p>	
	<p>4 Piece Cookware Set HEZ390042</p> <p>4 piece induction cookware set consisting of 2 pots, 1 casserole and 1 fry pan.</p>	
	<p>Stainless steel wok HEZ390090</p> <p>Stainless steel wok for induction and ceramic cooktops. Includes glass lid and draining grid.</p>	

Rangehood Accessories		
	<p>Recirculation kit DSZ4545</p> <p>For Bosch DFM064W50A</p>	
	<p>Recirculation kit DHZ5325</p> <p>For Bosch DWB65BC50A</p>	
	<p>Recirculation kit DHZ5345</p> <p>For Bosch DWB91PR50A and DWB97LM50A</p>	
	<p>Recirculation kit DHZ5275</p> <p>For Bosch DWP66BC50A, DWP96BC50A</p>	
	<p>Recirculation kit DHZ5605</p> <p>Consisting of 2 charcoal filters, charcoal filter support, deflector, flexible hose 150mm and 1500mm long, 2 clamps and mounting material.</p> <p>To suit DHL895DAU, DHL785BAU, DHL575CAU</p>	
	<p>Recirculation kit DWZ0DX0U0</p> <p>For Bosch DWB96BC50A</p>	
	<p>Recirculation kit DWZ0IN0T0</p> <p>For Bosch DLN54AA70A</p>	
	<p>Charcoal filter DHZ7305</p> <p>For Bosch DHL555BAU</p>	
	<p>Stainless steel pelmet for vario control DSZ4965</p> <p>Fits Bosch DFS097E50A</p>	
	<p>Mounting kit for 90cm cupboard DSZ4920</p> <p>Fits Bosch DFS097A50A, DFS097E50A</p>	

Technical diagrams

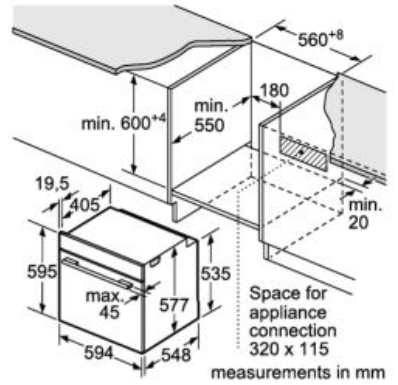
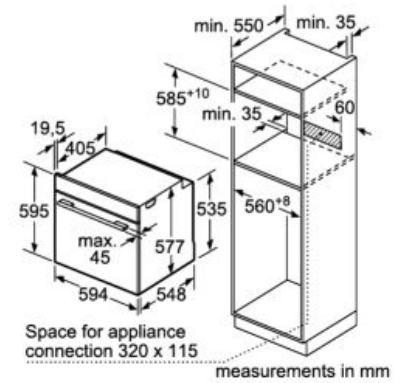
All descriptions and technical diagrams are intended as a guide only. For additional technical information, full dimensional and installation details, please refer to the instruction and installation manuals supplied with the appliance. All measurements in mm.

Series 8 | 60cm Pyrolytic Oven with Added Steam



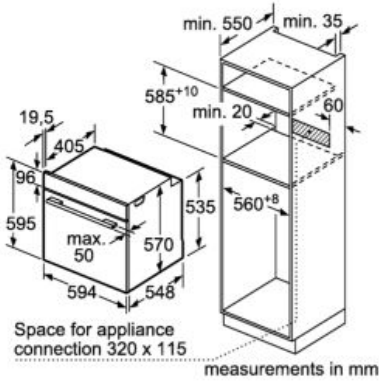
HRG675BS1B, HSG656XB6A, HRG6769B2A

Series 8 | 60cm Pyrolytic and EcoClean Direct Ovens

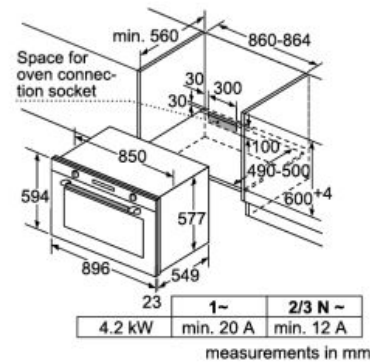


HBG6753B1A, HBG675BB2A, HBG633BB1B

Series 6, 4 & 2 | 60cm Pyrolytic and EcoClean Direct Ovens

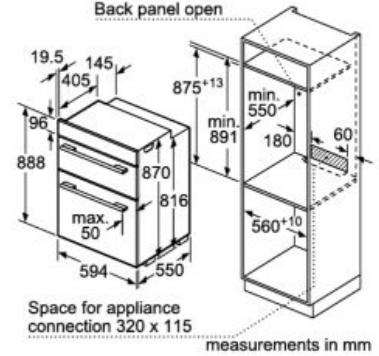


Series 6 | 90x60cm Oven

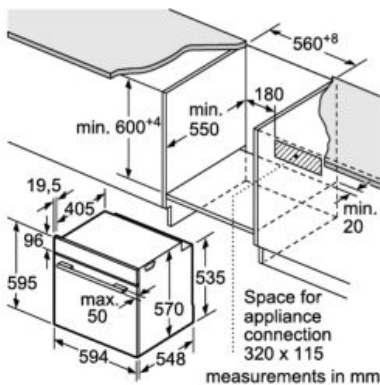


VBD578FS0

Series 6 & 4 | 60cm Pyrolytic and EcoClean Direct Double Ovens

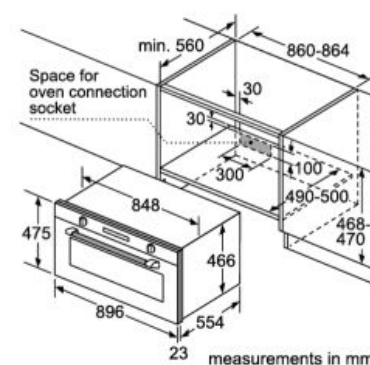


MBG5787S0A, MBA534BS0A



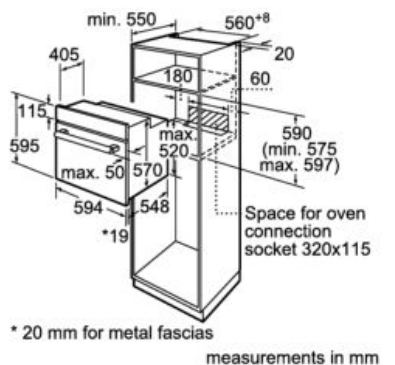
HBA574BS0A, HBA534ES0A

Series 6 & 4 | 90x48cm Oven



VBC578FS0, VBC5540S0

Series 2 | 60cm EcoClean Direct Oven

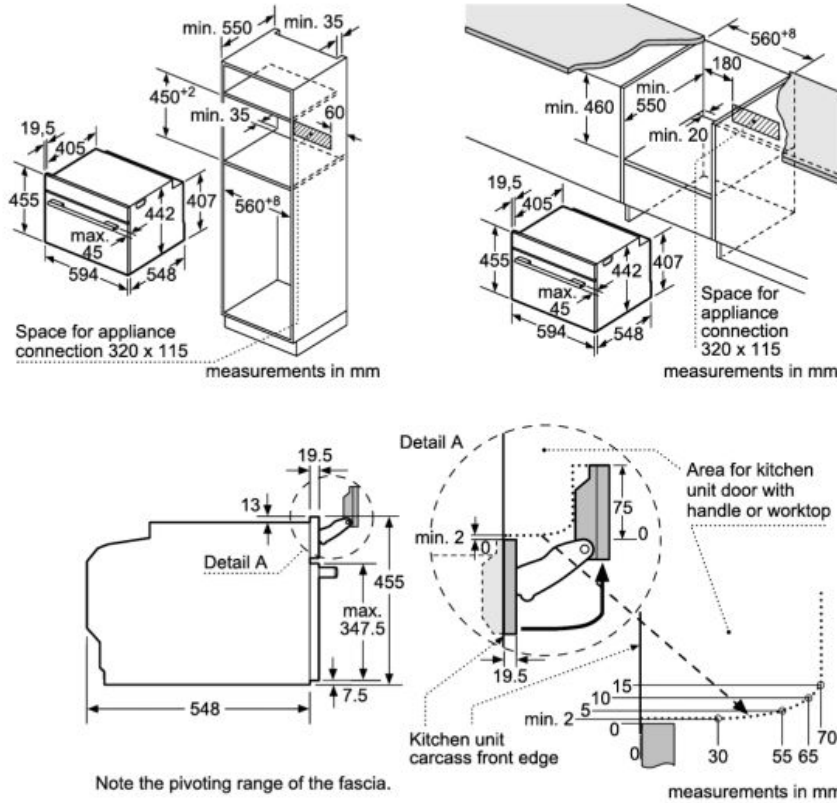


HBF133BS0A

Technical diagrams

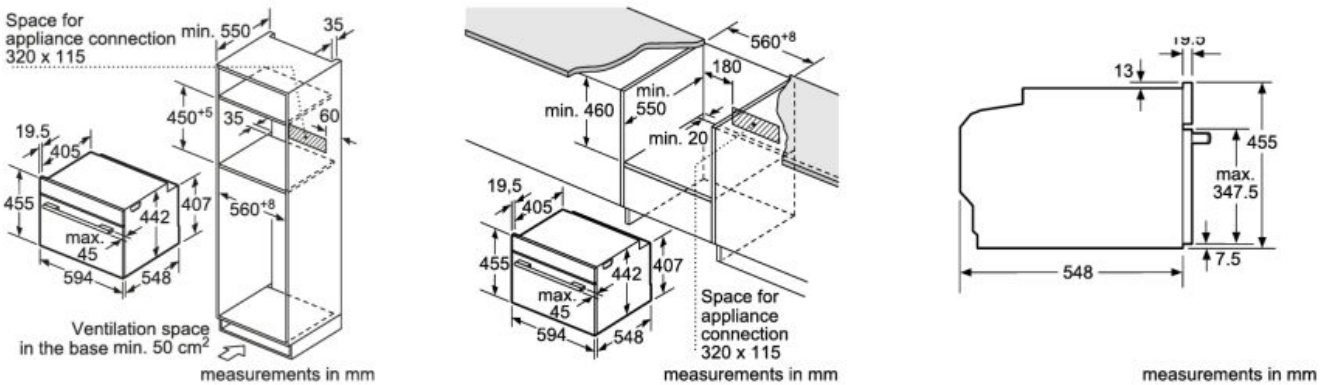
All descriptions and technical diagrams are intended as a guide only. For additional technical information, full dimensional and installation details, please refer to the instruction and installation manuals supplied with the appliance. All measurements in mm.

Series 8 | 60cm Compact Combination Steam Oven



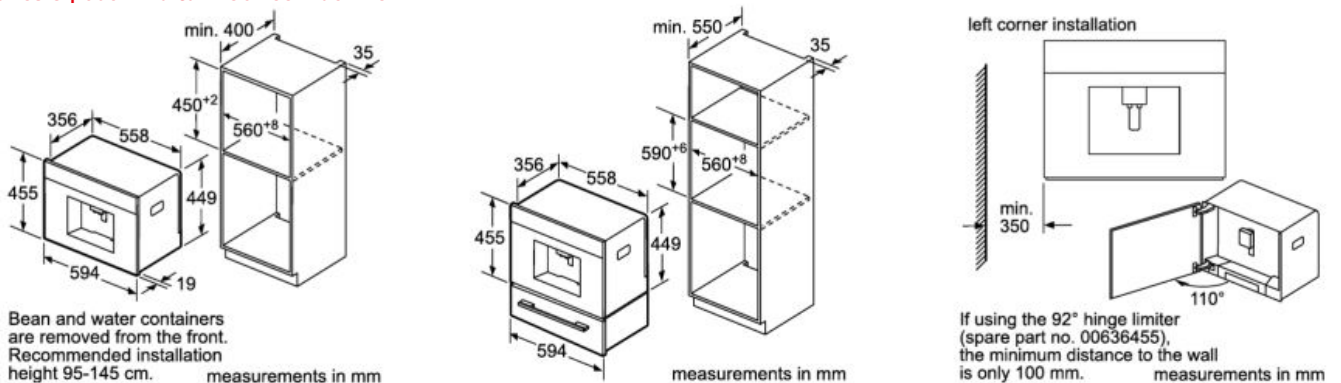
CSG656RS2A, CSG656RB1A

Series 8 | 60cm Compact Combination Microwave Oven



CMG633BS1B, CMG633BB1A

Series 8 | 60cm Built-in Coffee Machine

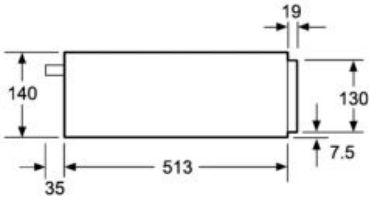


CTL636ES6, CTL636EB6

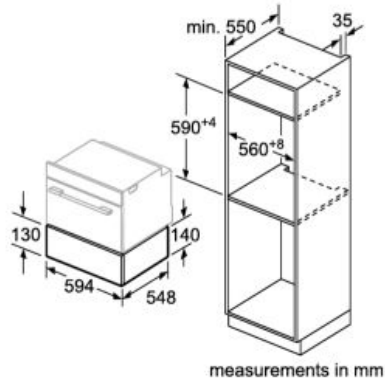
Technical diagrams

All descriptions and technical diagrams are intended as a guide only. For additional technical information, full dimensional and installation details, please refer to the instruction and installation manuals supplied with the appliance. All measurements in mm.

Series 8 | 60cm Warming Drawer

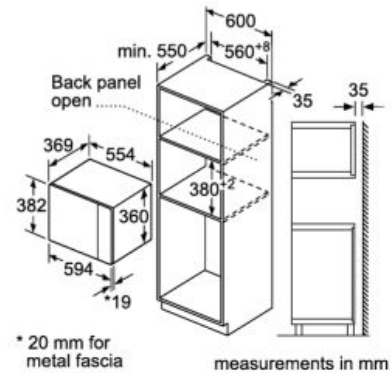


Over a warming drawer compact ovens with an appliance height of 455 mm can be installed. An intermediate floor is not required.



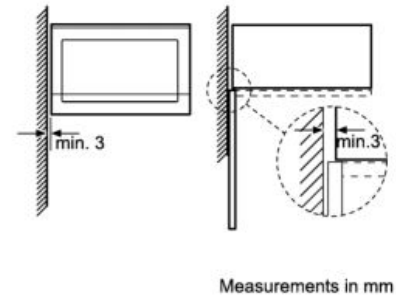
BIC630NS1A, BIC630NB1A

Series 6 | 60cm Built-in Microwave



* 20 mm for metal fascia

Microwave, corner installation

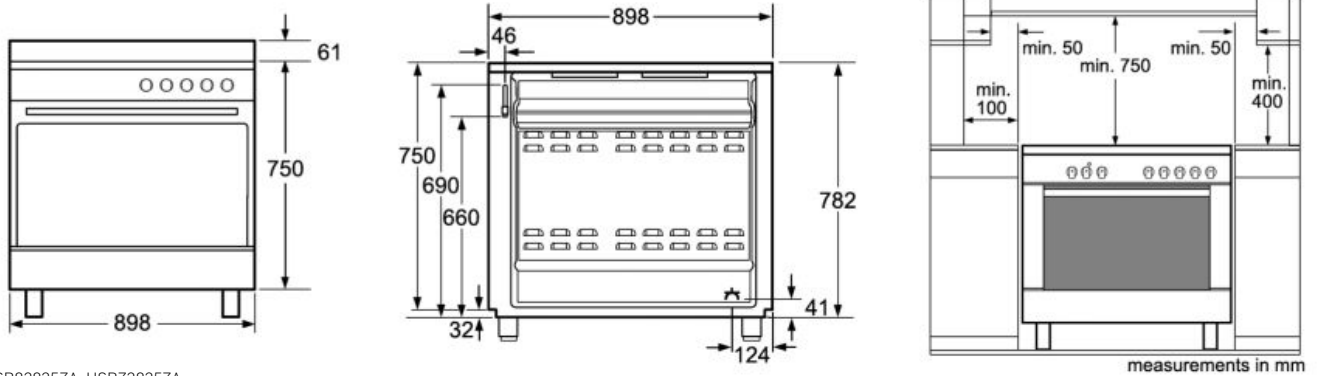


BEL554MS0A

Technical diagrams

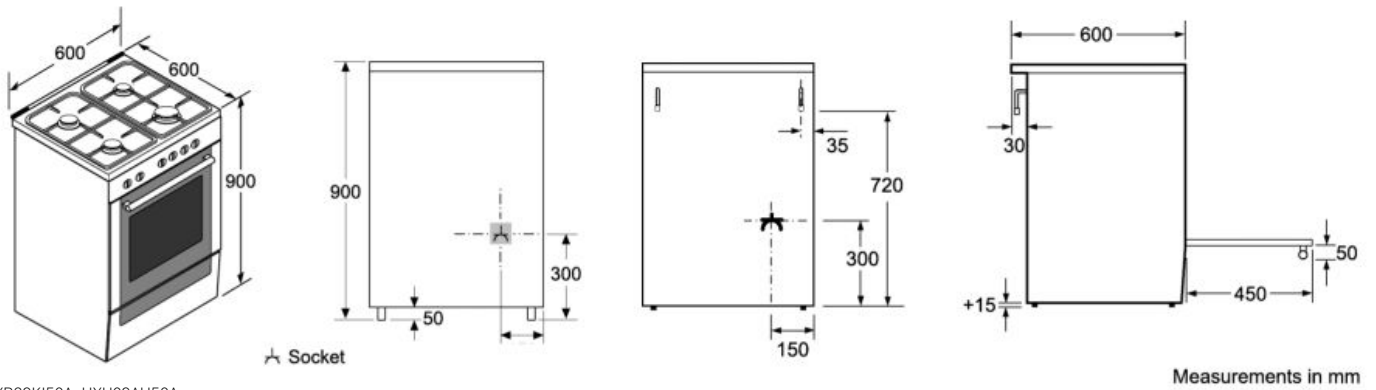
All descriptions and technical diagrams are intended as a guide only. For additional technical information, full dimensional and installation details, please refer to the instruction and installation manuals supplied with the appliance. All measurements in mm.

Series 8, 6 & 4 | 90cm Freestanding Dual Fuel Cooker



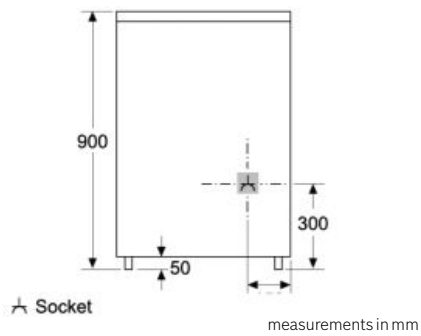
HSB838357A, HSB738357A

Series 4 | 60cm Freestanding Dual Fuel Cooker



HXR39KI50A, HXU09AH50A

Series 6 | 60cm Freestanding Induction/Pyrolytic Cooker

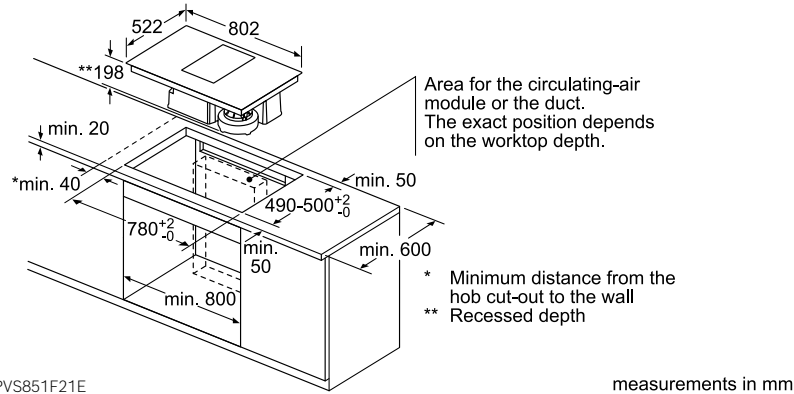


HLS79R350A, HKS79R250A

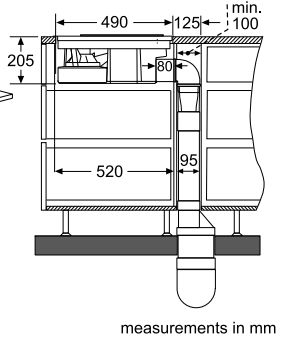
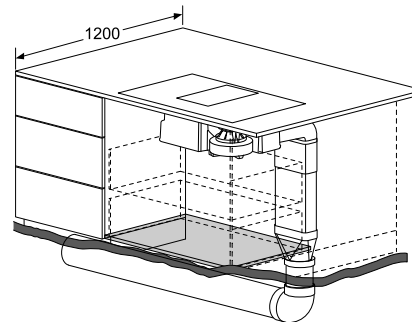
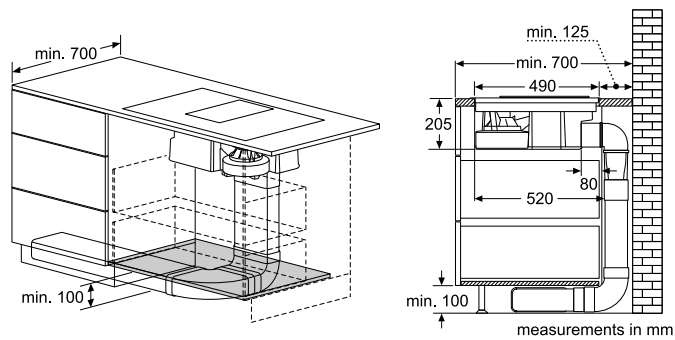
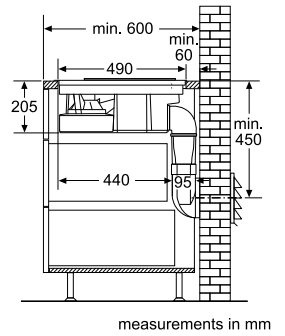
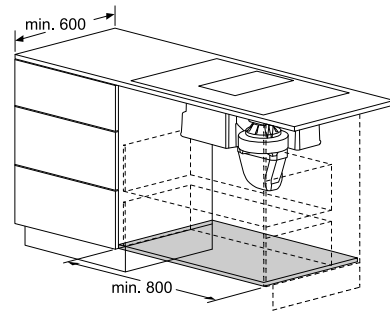
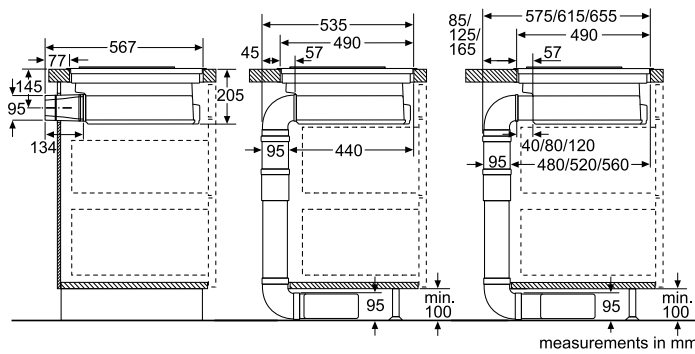
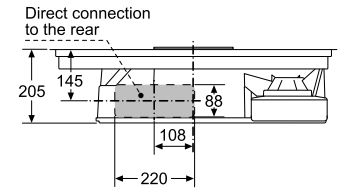
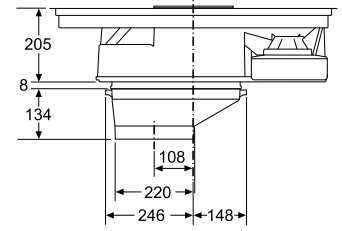
Technical diagrams

All descriptions and technical diagrams are intended as a guide only. For additional technical information, full dimensional and installation manuals supplied with the appliance. All measurements in mm.

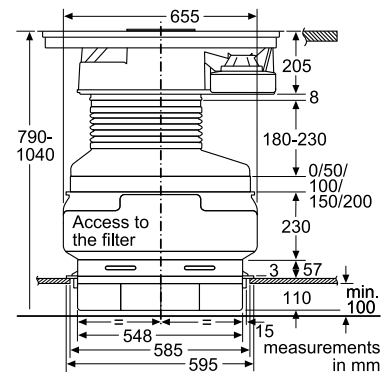
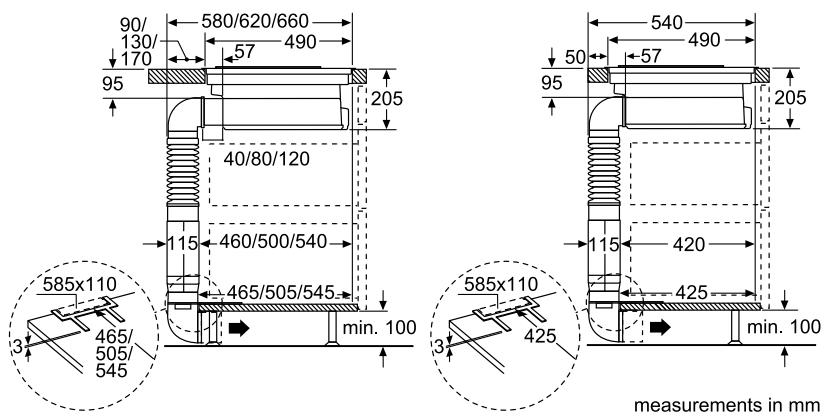
Series 6 | 80cm 2-in-1 Cooktop with Integrated Ventilation



PVS851F21E



PVS851F21E with HEZ381401 Ducted extraction kit

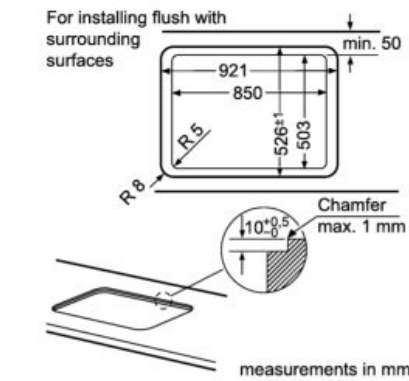
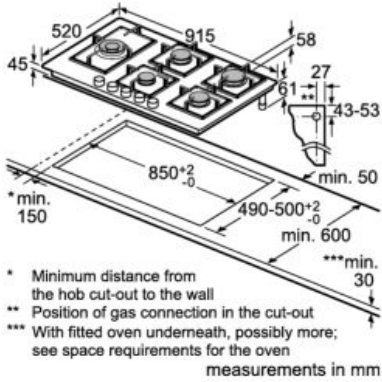


PVS851F21E with HEZ381501 Recirculation extraction kit

Technical diagrams

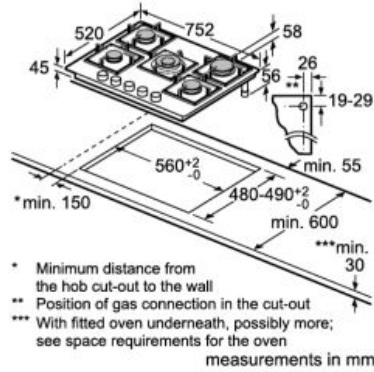
All descriptions and technical diagrams are intended as a guide only. For additional technical information, full dimensional and installation details, please refer to the instruction and installation manuals supplied with the appliance. All measurements in mm.

Series 6 | 90cm Black Tempered Glass FlameSelect® Gas Cooktop

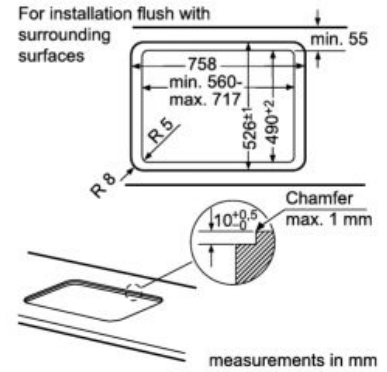


PPS9A6B90A

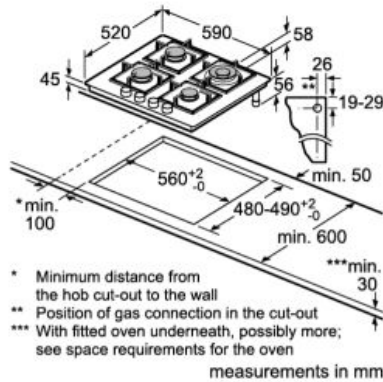
Series 6 | 75cm Black Tempered Glass FlameSelect® Gas Cooktop



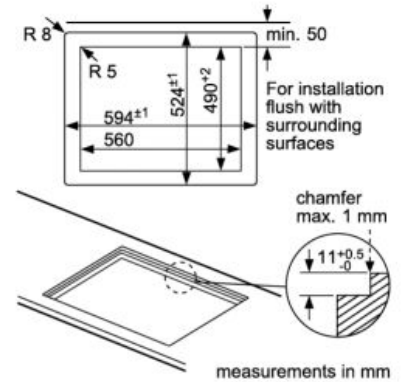
PPQ7A6B20A



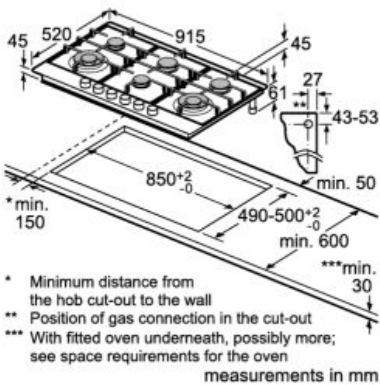
Series 6 | 60cm Black Tempered Glass FlameSelect® Gas Cooktop



PPH6A6B20A

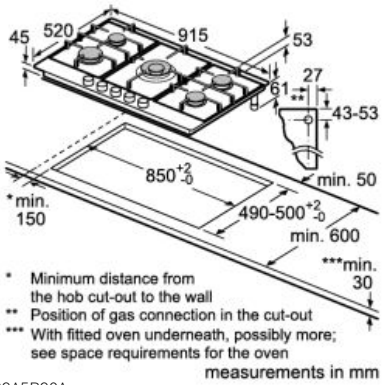


Series 6 | 90cm FlameSelect® Gas Cooktop



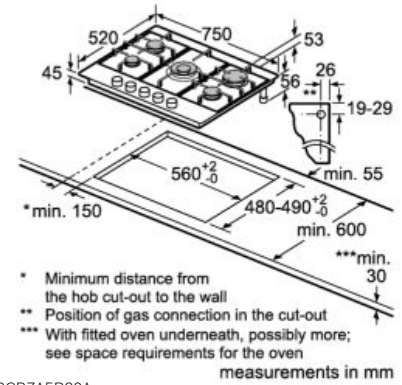
PCT9A5B90A

Series 6 | 90cm FlameSelect® Gas Cooktop



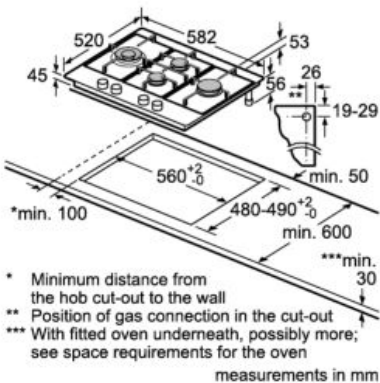
PCR9A5B90A

Series 6 | 75cm FlameSelect® Gas Cooktop



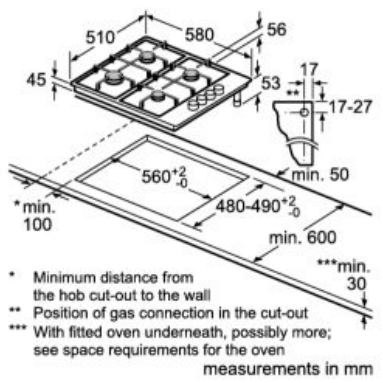
PCR7A5B90A

Series 6 | 60cm FlameSelect® Gas Cooktop



PCI6A5B90A

Series 2 | 60cm Gas Cooktop



PBH6B5B90A, PBH6B5B80A

Technical diagrams

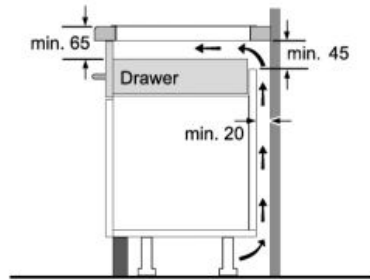
All descriptions and technical diagrams are intended as a guide only. For additional technical information, full dimensional and installation details, please refer to the instruction and installation manuals supplied with the appliance. All measurements in mm.

Important note:

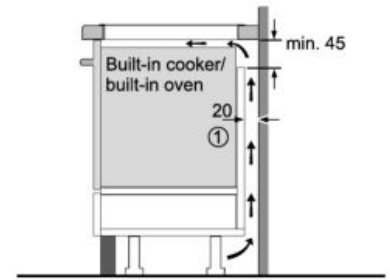
Cookware for Induction Cooktops

Induction heating relies on creating a controlled electromagnetic field, which requires magnetic-based cookware. This includes stainless steel cookware with a magnetic base, enamelled steel or cast-iron. Glass, aluminium, copper or ceran pots are not suitable for use. If you are unsure, hold a magnet to the base of the cookware. If it attracts and holds, then the cookware is most probably suitable.

Installation Requirements for Induction Cooktops Only



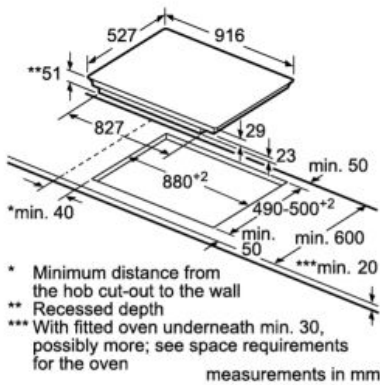
Measurements in mm



① Ventilation gap must be present

All measurements in mm

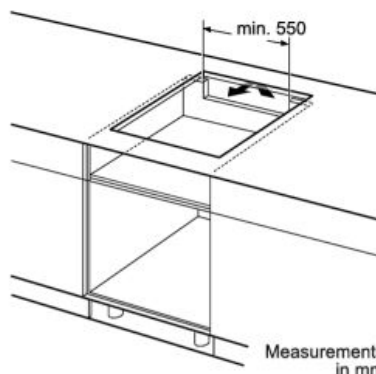
Series 8 | 90cm FlexInduction® Cooktop



* Minimum distance from the hob cut-out to the wall
 ** Recessed depth
 *** With fitted oven underneath min. 30, possibly more; see space requirements for the oven

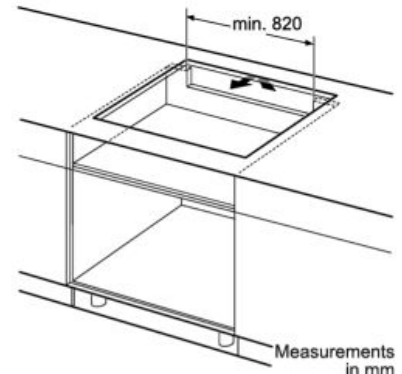
measurements in mm

PXV975DV1E



Measurements in mm

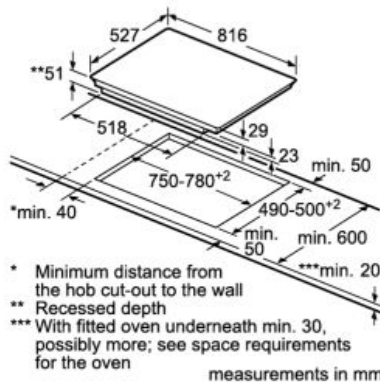
For 80cm and 60cm Induction cooktops



Measurements in mm

For 90cm Induction cooktops

Series 8 | 80cm FlexInduction® Cooktop

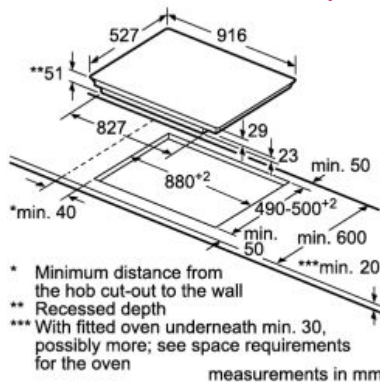


* Minimum distance from the hob cut-out to the wall
 ** Recessed depth
 *** With fitted oven underneath min. 30, possibly more; see space requirements for the oven

measurements in mm

PXE875DC1E

Series 8 | 90cm Induction Cooktops

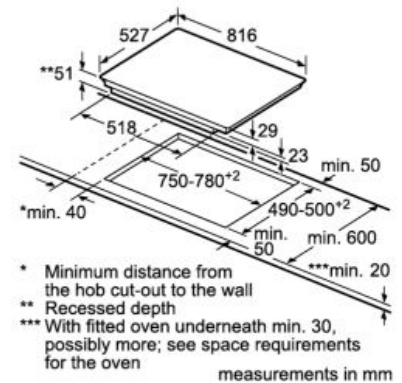


* Minimum distance from the hob cut-out to the wall
 ** Recessed depth
 *** With fitted oven underneath min. 30, possibly more; see space requirements for the oven

measurements in mm

PIV975DC1E

Series 6 | 80cm CombiInduction® Cooktop

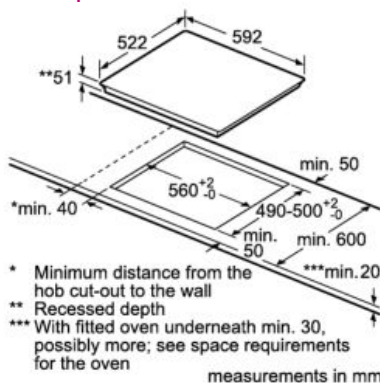


* Minimum distance from the hob cut-out to the wall
 ** Recessed depth
 *** With fitted oven underneath min. 30, possibly more; see space requirements for the oven

measurements in mm

PVS875FB5E

Series 6 | 60cm FlexInduction® Cooktop

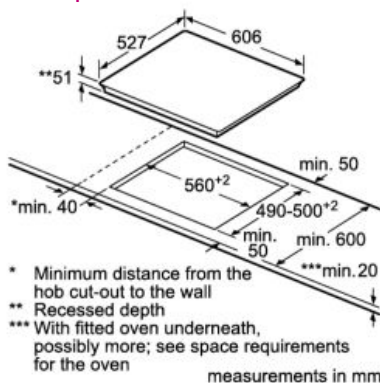


* Minimum distance from the hob cut-out to the wall
 ** Recessed depth
 *** With fitted oven underneath min. 30, possibly more; see space requirements for the oven

measurements in mm

PXE651FC1E

Series 6 | 60cm CombiInduction® Cooktop

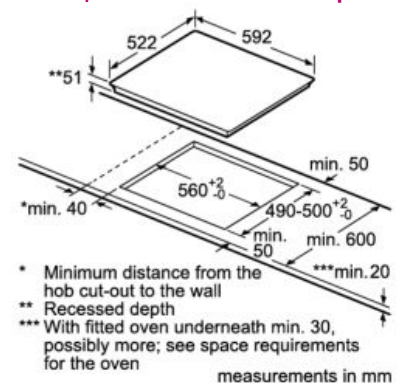


* Minimum distance from the hob cut-out to the wall
 ** Recessed depth
 *** With fitted oven underneath, possibly more; see space requirements for the oven

measurements in mm

PVS675FB5E

Series 4 | 60cm Induction Cooktop



* Minimum distance from the hob cut-out to the wall
 ** Recessed depth
 *** With fitted oven underneath min. 30, possibly more; see space requirements for the oven

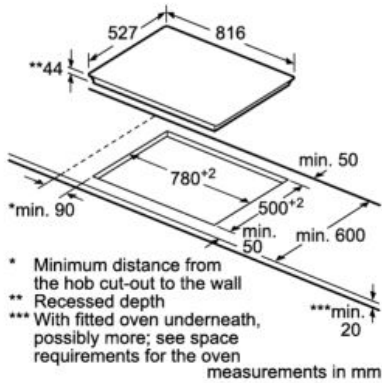
measurements in mm

PUE611BB1E, PIJ611BB1E

Technical diagrams

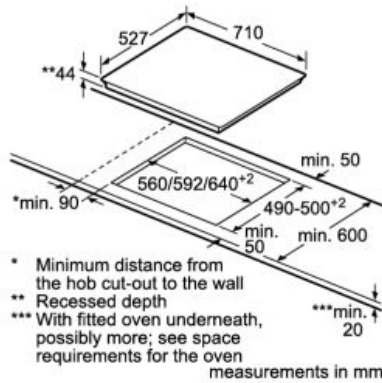
All descriptions and technical diagrams are intended as a guide only. For additional technical information, full dimensional and installation details, please refer to the instruction and installation manuals supplied with the appliance. All measurements in mm.

Series 8 | 80cm Ceramic Cooktop



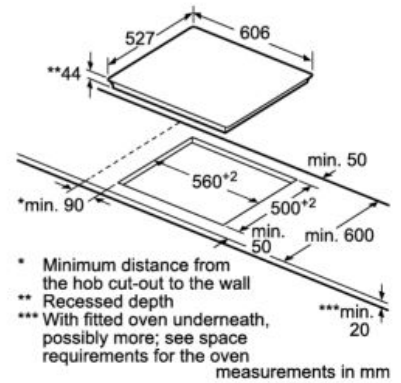
PKM875DP1A

Series 8 | 70cm Ceramic Cooktop



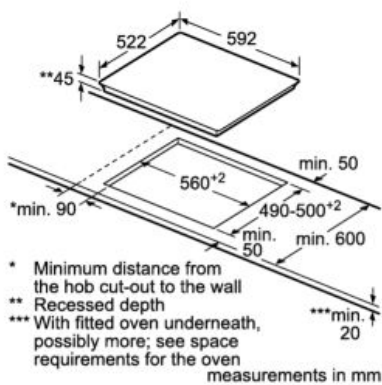
PKG775DB1A

Series 8 | 60cm Ceramic Cooktop



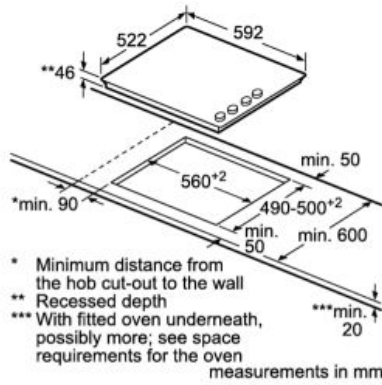
PKN675DB1A

Series 4 | 60cm Ceramic Cooktop



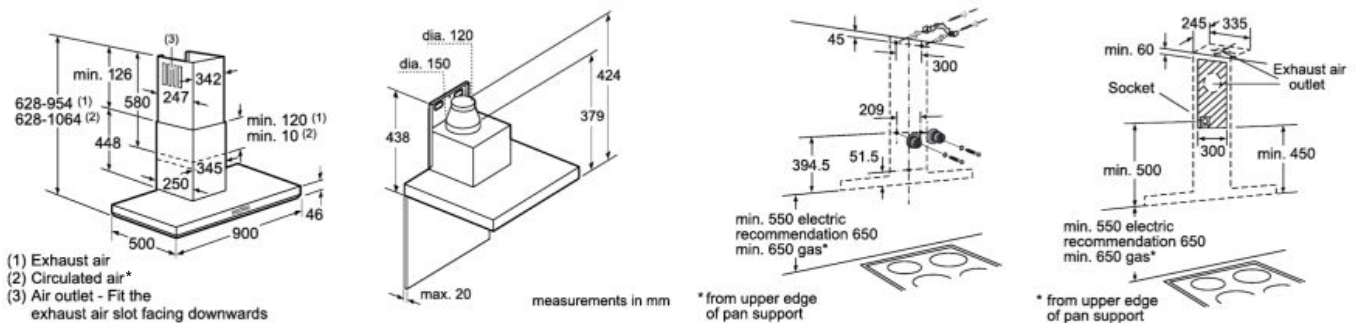
PKE611D17A

Series 2 | 60cm Ceramic Cooktop



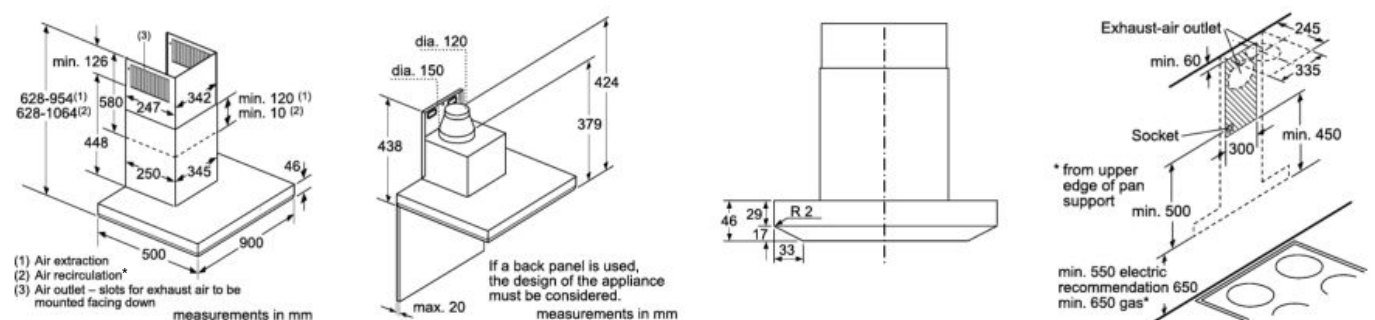
PKE611CA1A

Series 6 | 90cm Wall-Mounted Canopy Rangehood



DWB91PR50A

Series 4 | 90cm Wall-Mounted Canopy Rangehood

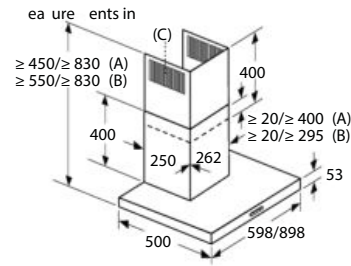


DWB97LM50A

Technical diagrams

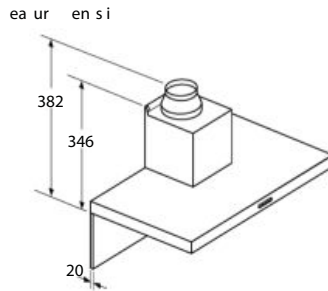
All descriptions and technical diagrams are intended as a guide only. For additional technical information, full dimensional and installation manuals supplied with the appliance. All measurements in mm.

Series 2 | 60cm Wall-Mounted Canopy Rangehood

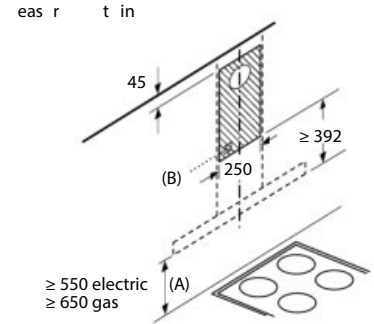


A: Exhaust air
 B: Circulated air
 C: Air outlet – slots for exhaust air to be mounted facing down

DWB65BC50A



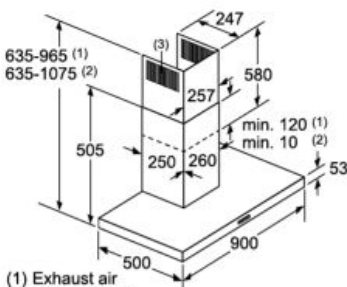
If a back panel is used, the design of the appliance must be considered.



A: from upper edge of pan support
 B: Socket

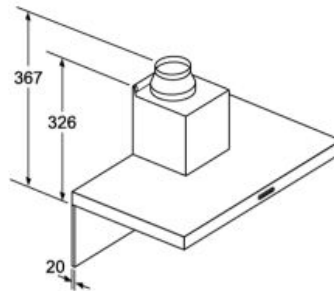
measurements in mm

Series 2 | 90cm Wall-Mounted Canopy Rangehood

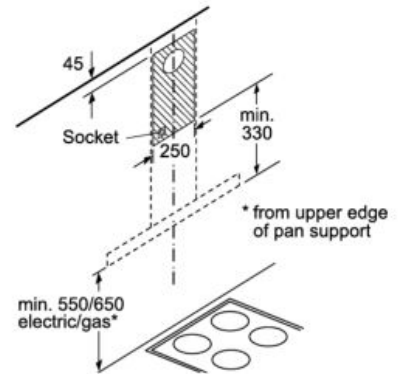


(1) Exhaust air
 (2) Circulated air
 (3) Air outlet – slots for exhaust air to be mounted facing down

DWB96BC50A

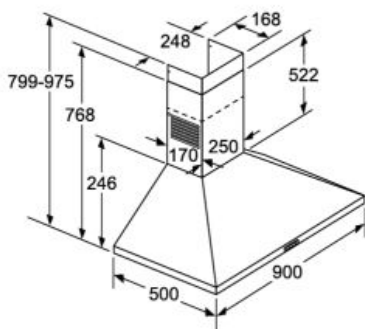


If a back panel is used, the design of the appliance must be considered.

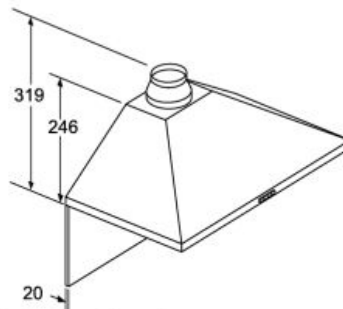


measurements in mm

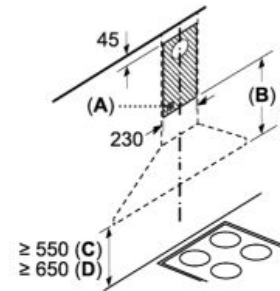
Series 2 | 90cm Wall-Mounted Canopy Rangehood



DWP96BC50A



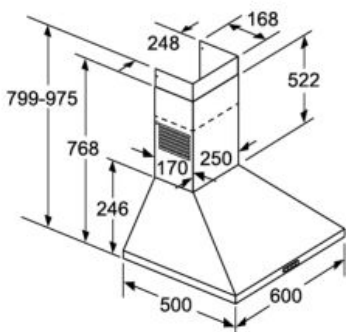
If a back panel is used, the design of the appliance must be considered.



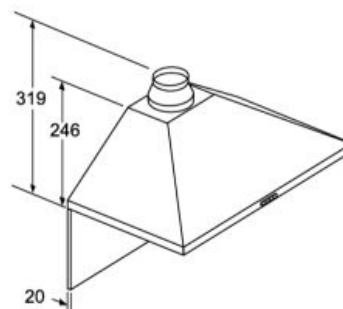
A: Socket
 B: Exhaust air: ≥ 280 ; circulated air: ≥ 490
 C: electric
 D: Gas, from upper edge of pan support

measurements in mm

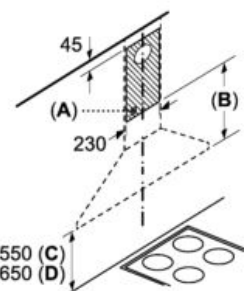
Series 2 | 60cm Wall-Mounted Canopy Rangehood



DWP66BC50A



If a back panel is used, the design of the appliance must be considered.



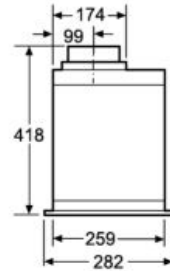
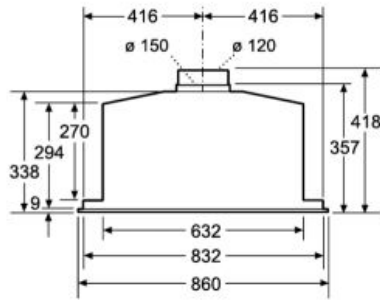
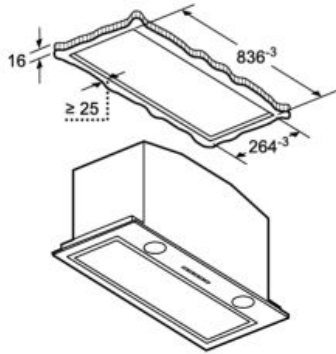
A: Socket
 B: Exhaust air: ≥ 280 ; circulated air: ≥ 490
 C: electric
 D: Gas, from upper edge of pan support

measurements in mm

Technical diagrams

All descriptions and technical diagrams are intended as a guide only. For additional technical information, full dimensional and installation details, please refer to the instruction and installation manuals supplied with the appliance. All measurements in mm.

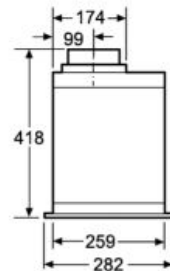
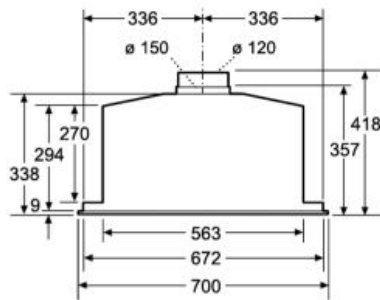
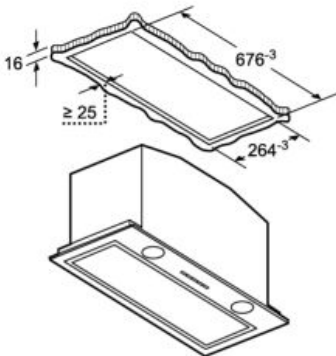
Series 8 | 86cm Integrated Rangehood



DHL895DAU

measurements in mm

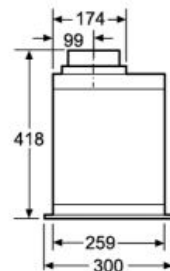
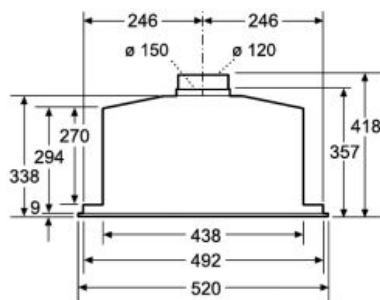
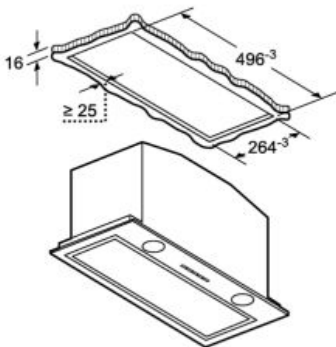
Series 6 | 70cm Integrated Rangehood



DHL785BAU

measurements in mm

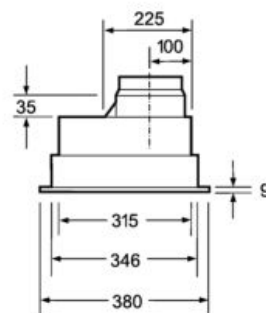
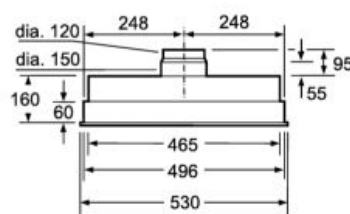
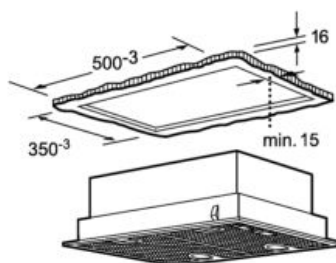
Series 6 | 52cm Integrated Rangehood



DHL575CAU

measurements in mm

Series 4 | 53cm Integrated Rangehood



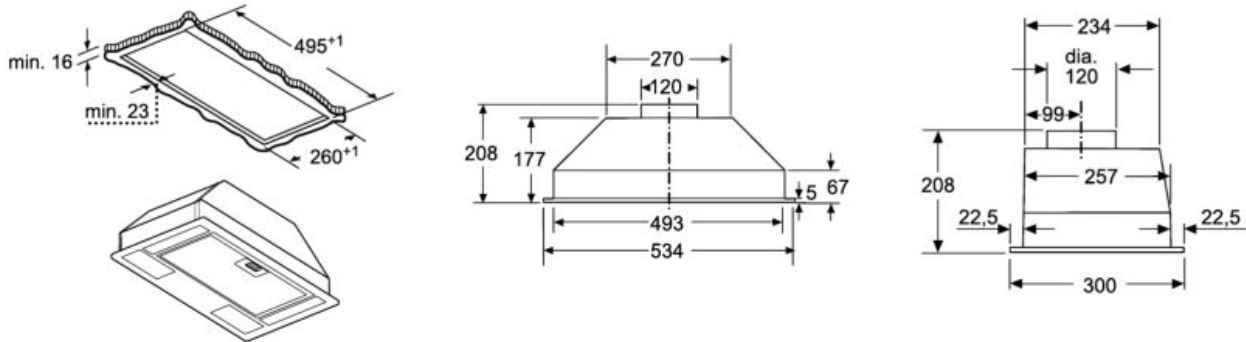
DHL555BAU

measurements in mm

Technical diagrams

All descriptions and technical diagrams are intended as a guide only. For additional technical information, full dimensional and installation details, please refer to the instruction and installation manuals supplied with the appliance. All measurements in mm.

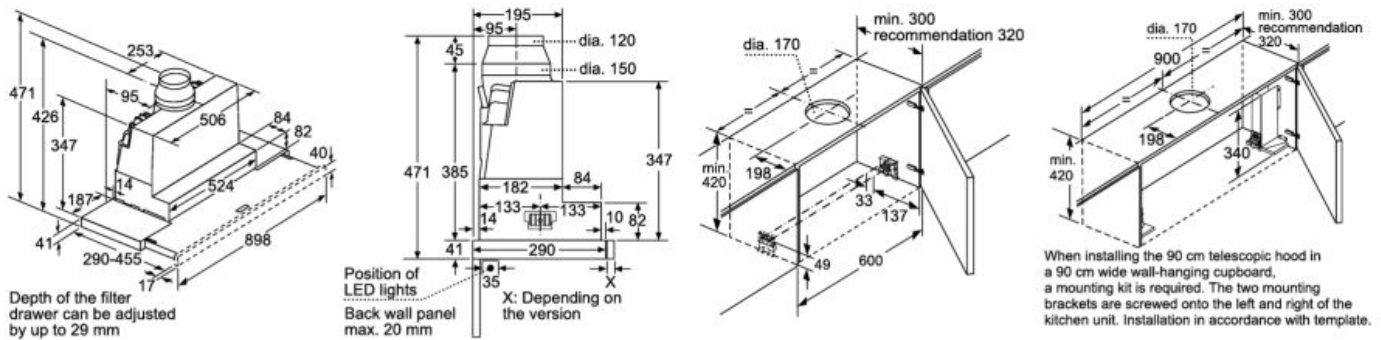
Series 2 | 53cm Integrated Rangehood



DLN54AA70A

measurements in mm

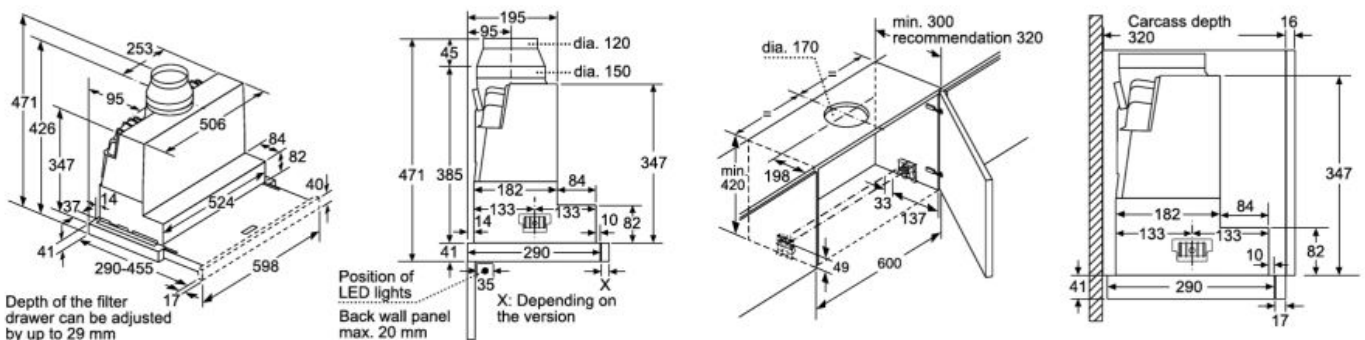
Series 6, 4 | 90cm Slideout Rangehoods



DFS097E50A, DFS097A50A

measurements in mm

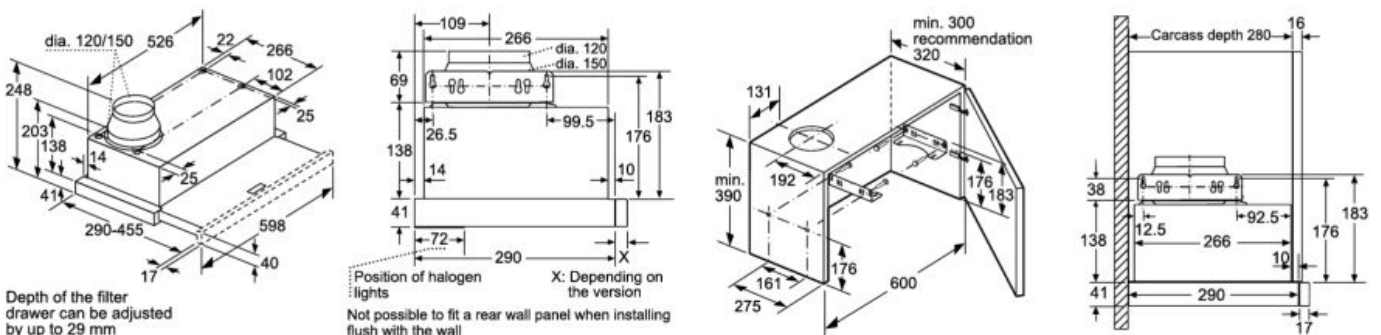
Series 4 | 60cm Slideout Rangehood



DFS067A50A

measurements in mm

Series 2 | 60cm Slideout Rangehood



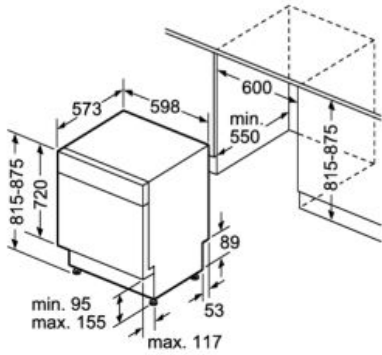
DFM064W50A

measurements in mm

Technical diagrams

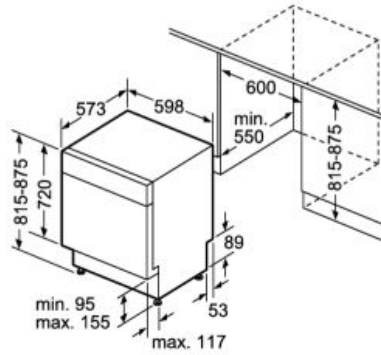
All descriptions and technical diagrams are intended as a guide only. For additional technical information, full dimensional and installation details, please refer to the instruction and installation manuals supplied with the appliance. All measurements in mm.

Series 8 | Under Bench Dishwashers



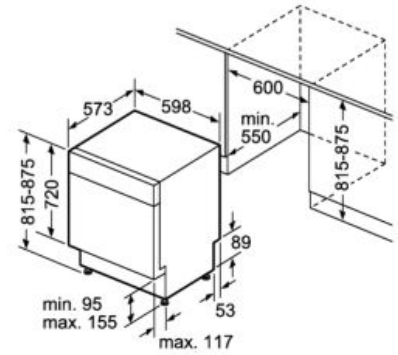
SMU88TS04A, SMU88TS02A measurements in mm

Series 6 | Under Bench Dishwashers



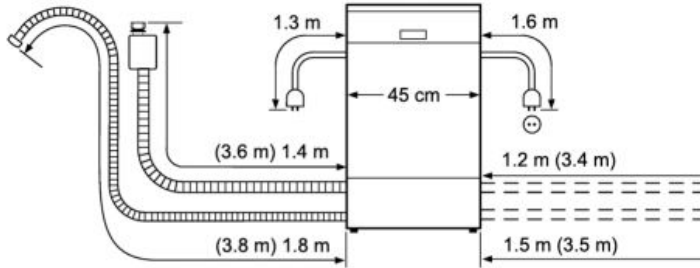
SMP66MX01A, SMU66JS01A, SMP66MX03A, SMU66MS02A measurements in mm

Series 4 | Under Bench Dishwashers



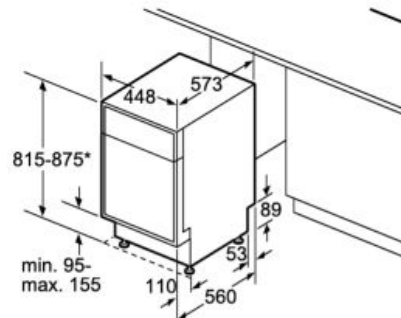
SMU46KS01A, SMU46GS01A measurements in mm

Series 6 | Slimline Under Bench Dishwasher



Connection dimensions for all 45 cm dishwashers
() values with extension kit SZ 72010

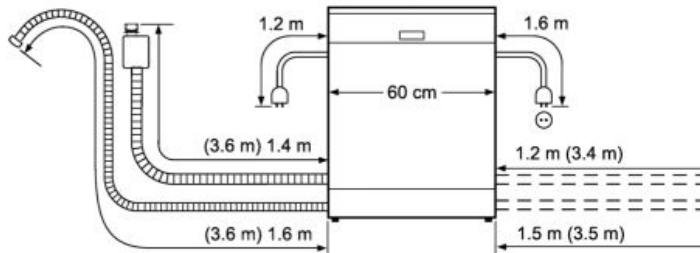
SPU68M05AU



* Because of height-adjustable screw feet
Base height (when appliance height is 815): 95 mm
Base height (when appliance height is 875): 155 mm

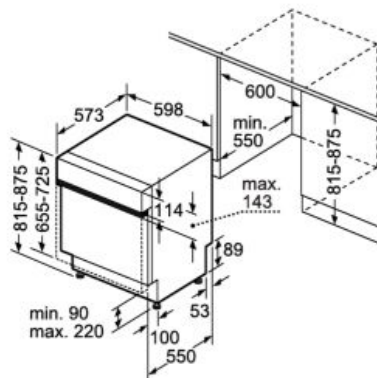
measurements in mm

Series 8 | Semi-integrated Dishwashers



() values with extension kit

SMI88TS02A

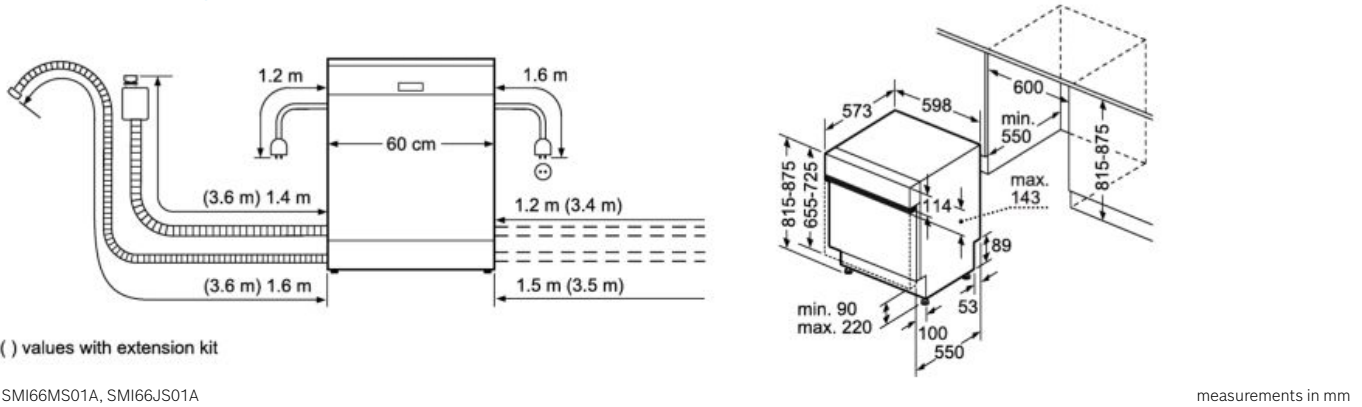


measurements in mm

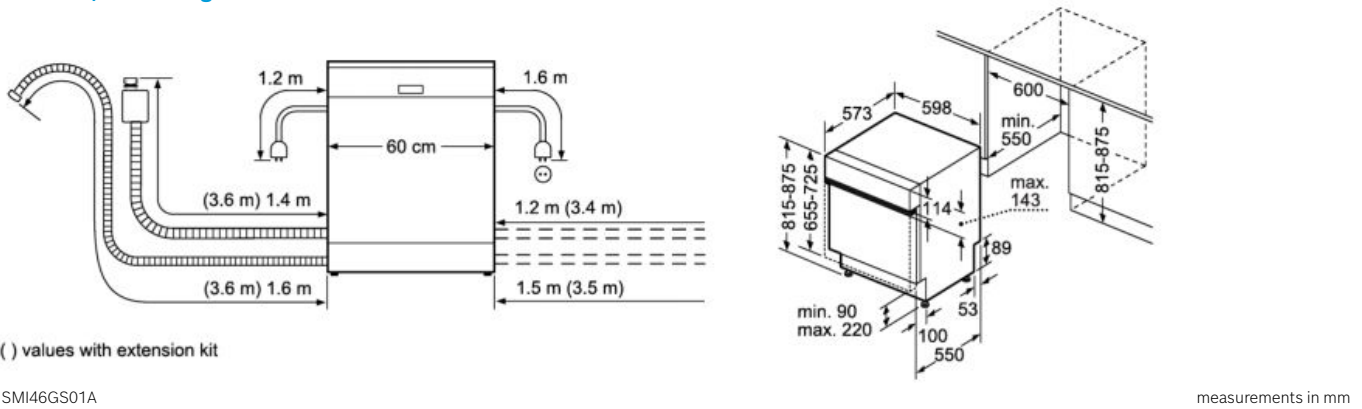
Technical diagrams

All descriptions and technical diagrams are intended as a guide only. For additional technical information, full dimensional and installation details, please refer to the instruction and installation manuals supplied with the appliance. All measurements in mm.

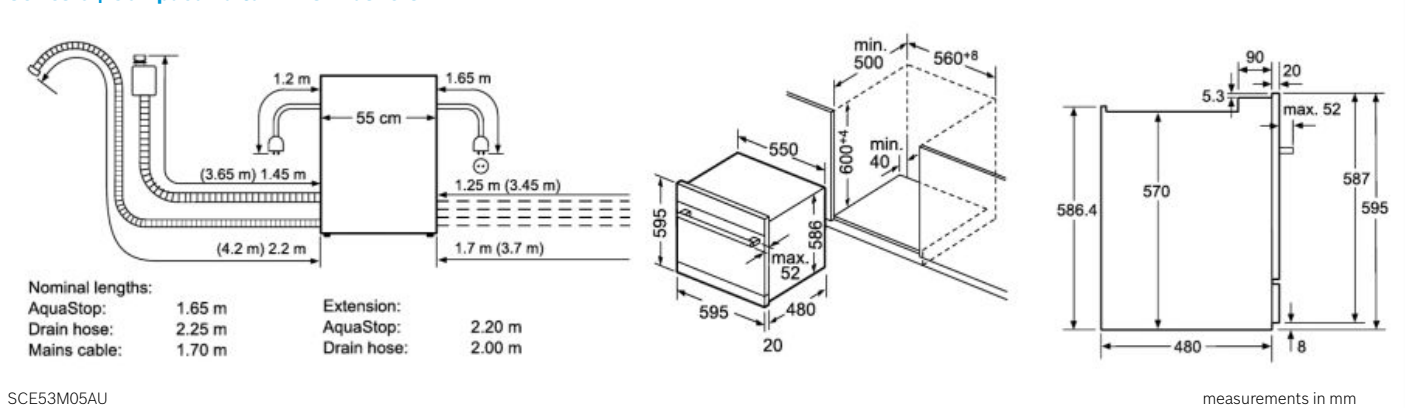
Series 6 | Semi-integrated Dishwashers



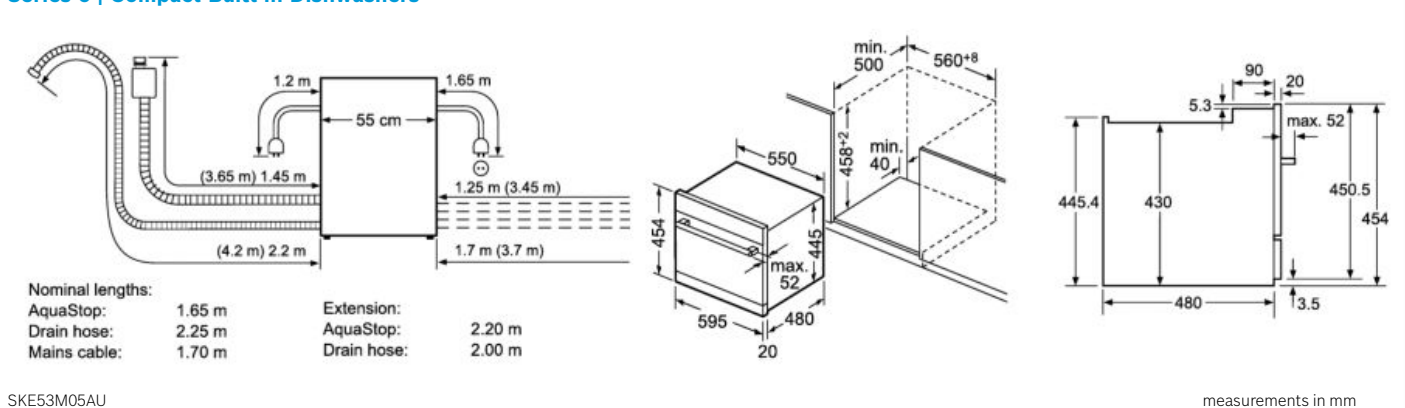
Series 4 | Semi-integrated Dishwashers



Series 6 | Compact Built-in Dishwashers



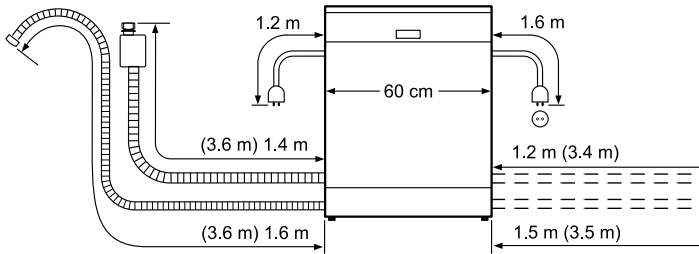
Series 6 | Compact Built-in Dishwashers



Technical diagrams

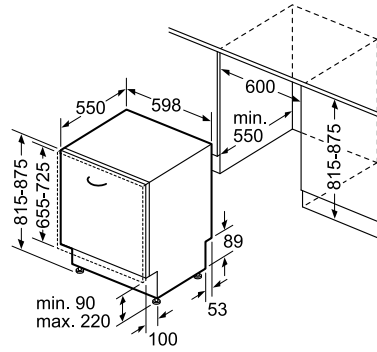
All descriptions and technical diagrams are intended as a guide only. For additional technical information, full dimensional and installation details, please refer to the instruction and installation manuals supplied with the appliance. All measurements in mm.

Series 8, 6 & 4 | Fully Integrated Dishwashers



() values with extension kit

SMV88TX02A, SMV66MX01A, SMV66JX01A, SMV46GX01A, SBV88TX06A



measurements in mm

This much is for sure: you can trust our service.

Reliable, experienced, fast. The customer service of Bosch; before and after purchase.

Quality service straight from the manufacturer. Original Bosch.

We are committed to quality even when it comes to after-sales service because no one knows Bosch appliances better than our highly trained service engineers. Working with the latest equipment for measuring, diagnostics and repairs, Bosch service engineers only use original Bosch spare parts.

Reliability guaranteed. No compromises.

All Bosch home appliances are produced with maximum care using high-quality materials. We promise it in our two year manufacturer's warranty on all appliances.

Original accessories.

Effective care products.

Take a look at our extensive range of accessories for some inspiration: discover additional uses, replace old materials for optimum operation or simply give a trusty home appliance a good work-over. With the right care, you will be able to enjoy your high-quality appliance for many years to come. To help you do so, we offer a wide range of Bosch certified cleaning and care products.

Extensive customer service network. Just a call away.

Customer Care

Our friendly Bosch Customer Care team is on-hand to provide competent, reliable assistance. Before or after purchase, the Bosch team will be happy to advise you on products, their use and special functions.

Service & Repairs

Our team is there to provide the right advice on faults, arranging a visit of a service engineer and ordering the right accessories or spare parts.

Customer care, service and repairs: 1300 369 744

24 hour phone support Monday to Friday.*

*Phone lines open 7am Monday until midnight on Friday.



@BoschHomeAU





KN-221907

batch 03-09
indiv. tested

BSH Home Appliances Pty Ltd

1555 Centre Road Clayton VIC 3168

Postal Address

Locked Bag 66, Clayton South VIC 3169

Customer Line

Phone: 1300 369 744

www.bosch-home.com.au

Certain appliances shown in this catalogue are not available in your country. Model numbers and specifications are for reference only and subject to change without prior notice. Please contact your local Bosch retailer for the latest information.

Whilst every care has been taken in the preparation of this publication, BSH does not warrant the accuracy or completeness of the information in this publication and BSH reserves the right to alter specifications without notice. To the extent permitted by law, BSH excludes all liability, including negligence, for any loss incurred in reliance on the contents of this publication.

Printed in Australia. KRD 08/2020 – BH 4684 B



@BoschHomeAU