

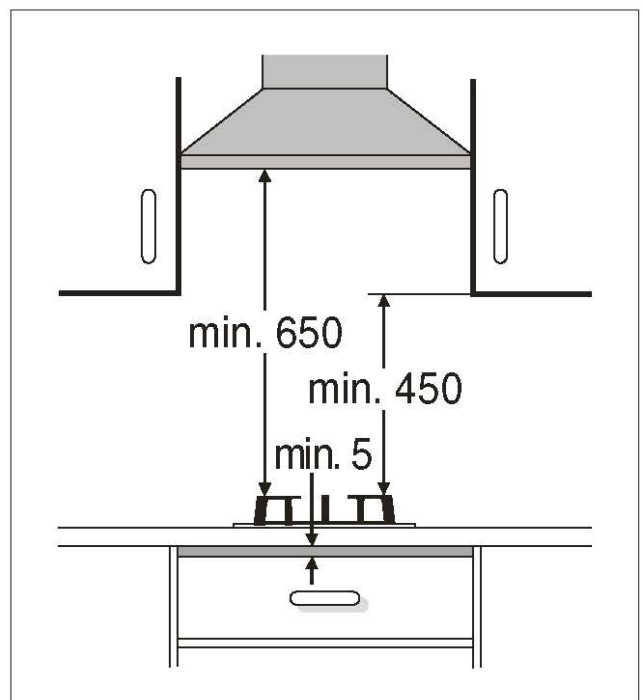
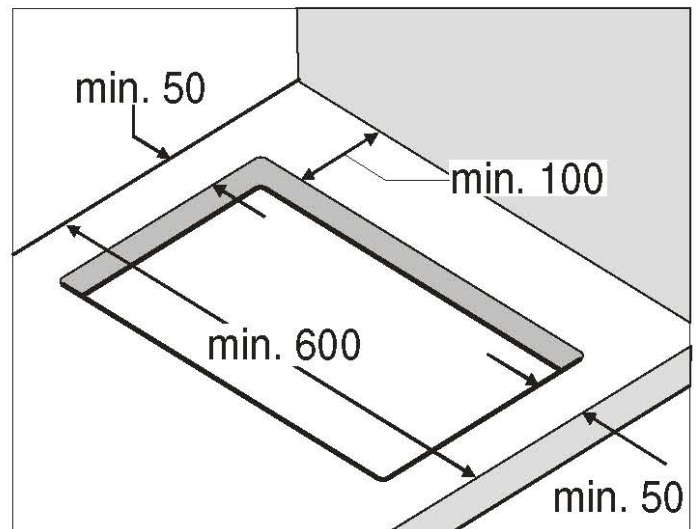
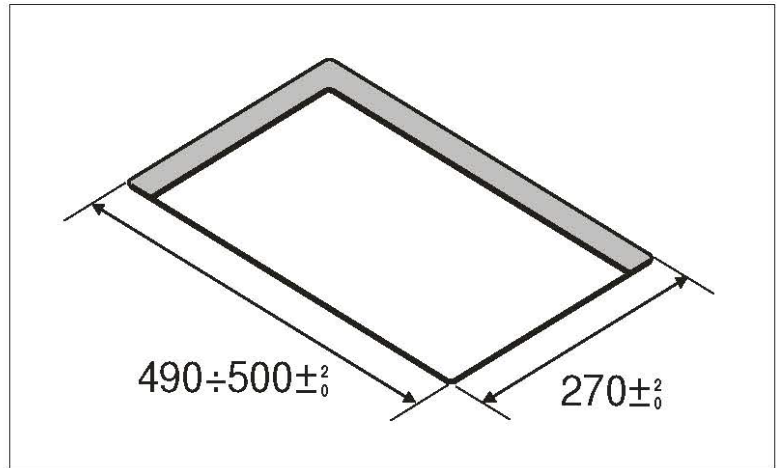
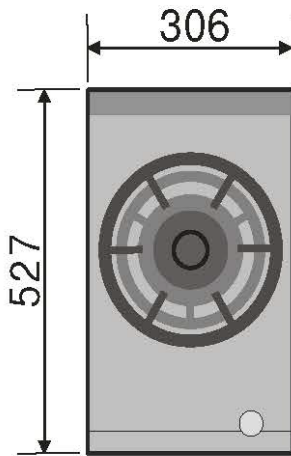


BOSCH

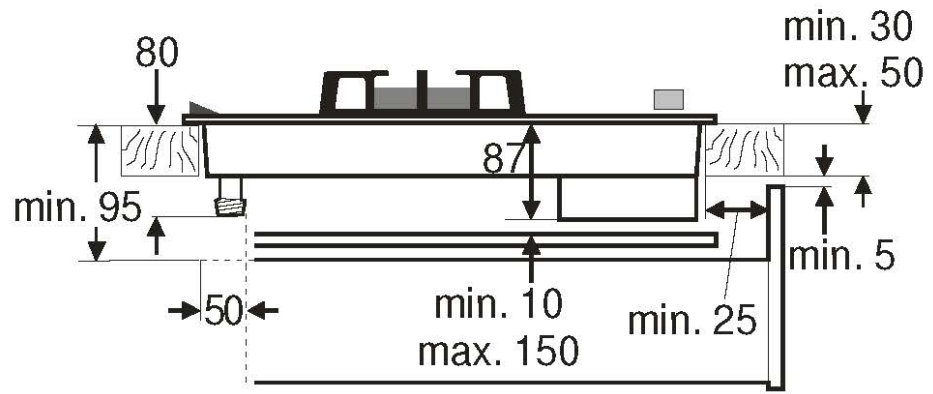
Assembly instructions
please keep

PRA326B92X
to be used with Town Gas

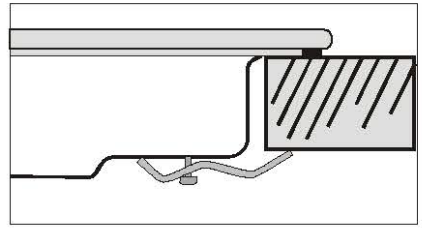
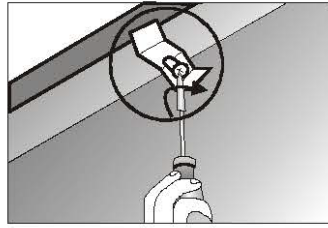
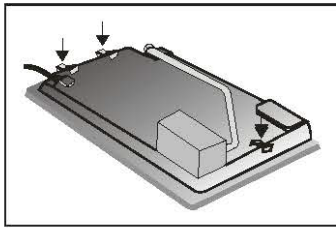
1



2



3



Put these instructions in a safe place for future reference

Attention! According to the Gas Safety Regulations of Hong Kong, any gas installation works including the installation of appliances and connection tubing, must be undertaken by registered gas installers who are registered for that appropriate classes and be employed by registered gas contractors.

Read the appliance's instructions before installing and using. The graphics in these Assembly instructions are given as a guide only.

The manufacturer is exempt from all liability if this manual's requirements are not complied with.

Safety instructions

Use approved gas tubing bearing EMSD approval marking (example: 機電工程署批准 EMSD APPROVAL GTXXXX) for connection to appliances, or other appropriate methods accepted by EMSD.

HK Town Gas connection External Gas Governor Beckley 2300 or Elite EL-130 should be installed. The operating gas pressure is 12.5 mbar

When installing built-in gas hob on top of stove cabinet, please check that there is provision for ventilation at the cabinet to ensure proper operation of the gas hob.

Do not store any flammable materials, sprays or pressurized containers inside the stove cabinet.

The panel of this built-in hob is made of ceramic glass which is safer than normal glass for this application. However, the following safety precautions for using built-in hob with glass top panel should also be noted in order to prevent the glass top panel from breaking :

1. Clean the burner assembly frequently to maintain a clear gas passage on the flame distributor. Clean and tidy up the flame distributor after

spillage of food and liquid once the burner assembly cooled down.

2. Turn off the gas appliance immediately if abnormal noise propagates from the gas appliance and contact an authorized person for inspection.
3. Do not use oversized utensils for cooking.
4. Do not impact the glass surface with hard objects or place heavy objects on the glass surface.

The installation engineer has to respect the standards and the specifications of the gas and electricity providers. Before you begin, turn off the appliance's electricity and gas supply.

This appliance has been designed for home use only, not for commercial or professional use. This appliance cannot be installed on yachts or in caravans.

The warranty will only be valid if the appliance is used for the purpose for which it was designed. Before installing, you need to check that local distribution conditions (gas type and pressure) and the appliance's adjustment are compatible. The appliance's adjustment conditions are written on the label or the specifications plate. This appliance can only be installed in a well-ventilated place in accordance with existing regulations and ventilation specifications. The appliance must not be connected to a combustion product evacuation device.

The supply cable must be attached to the unit to prevent it from touching hot parts of the oven or hob.

Appliances with electrical supply must be earthed.

Do not tamper with the appliance's interior. If necessary, call our Technical Assistance Service.

Before installing

This appliance is class 3 type, according to the EN 30-1-1 regulations for gas appliances: built-in appliance.

These individual appliances can be combined with other identical appliances and/or with conventional hobs of the same make, using the joint accessory.

See the catalogue for details. The units next to the appliance must be made of non-flammable materials. The laminated covering and glue for adhering it must be heat resistant.

This appliance cannot be installed above fridges, washing machines, dishwashers or similar.

An oven must have a power cooling fan to install a hob above it. Check the oven's dimensions in its installation manual.

If an extractor fan is installed, you must follow the installation manual's instructions, always keeping a minimum distance of 650 mm to the hob.

Preparing of kitchen unit (fig. 1-2)

Make an appropriate size cut in the work surface.

If there is no oven below the hob, place a non-flammable separator (e.g. metal or plywood) 10 mm from the bottom of the hob. This will prevent access to the base of the hob. On wood work surfaces, varnish the cutting surfaces with special glue. This protects them from moisture which could collect under the work surface.

Installation of appliance

The clips and the adhesive seal (underside of the hob) are factory-fitted: do not under any circumstances remove them. The seal ensures that the entire work surface will be watertight, and prevents water seepage. In order to fit the appliance into the kitchen unit, first place the hob in the correct position then loosen each of the clips so that they all turn freely (it is not necessary to completely undo them).

Insert and centre the hob. Press the sides of the hob until it is supported around its entire perimeter. Turn the clips and tighten them fully. Fig. 3.

To complete the installation, the burner covers must be fitted onto their corresponding rings. In addition, the pan supports must also be located in their correct places.

Removal of hob

Turn off the appliance's electricity and gas supply. Unscrew the clips and proceed in the reverse order to installation.

Warning! If any connection is handled, check the seal. Danger of leaks. The manufacturer is not liable for any connection leaking, after being handled.

Electrical connection

Check that the voltage and power of the appliance are compatible with the electrical installation.

The hobs are supplied with a power cable with a wall socket plug. Provide an omnipolar cut-off switch with a minimum contact separation of 3 mm (except for plug connections, if the user has access to it).

Appliances with plugs must only be connected to sockets that have earth wires correctly installed. This appliance is type "Y": the supply cable can only be changed by the Technical Assistance Service and not by the user. The cable type and minimum cross-section (3 x 0.75 mm²) must be respected.