

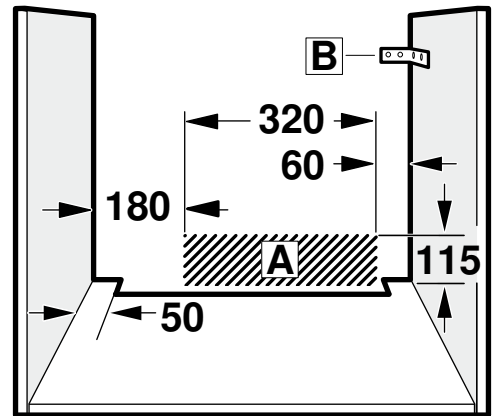
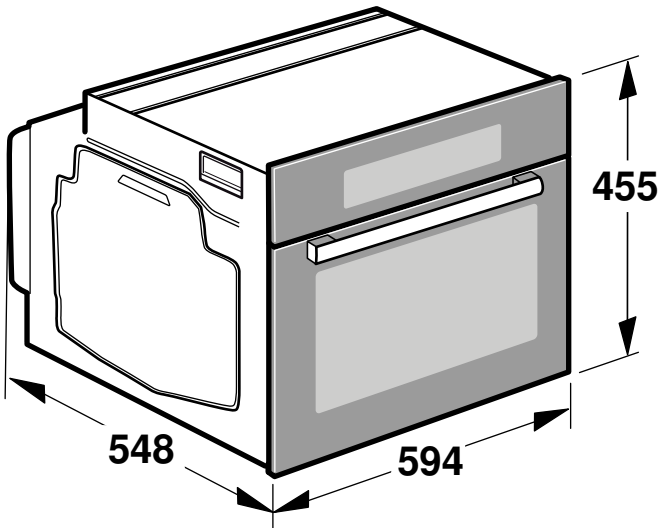


zh 安装说明

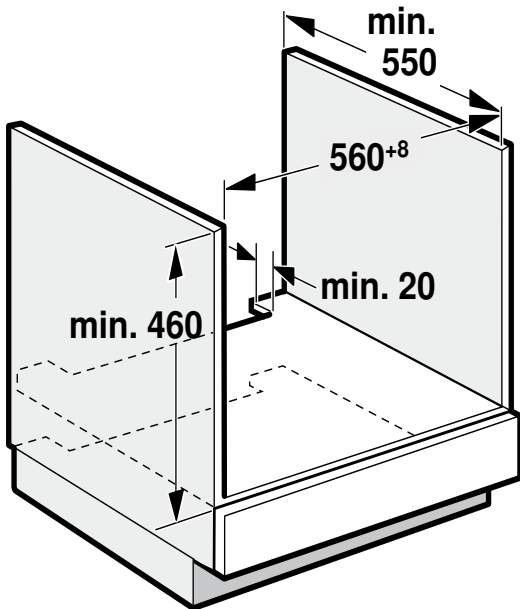
en Installation instructions



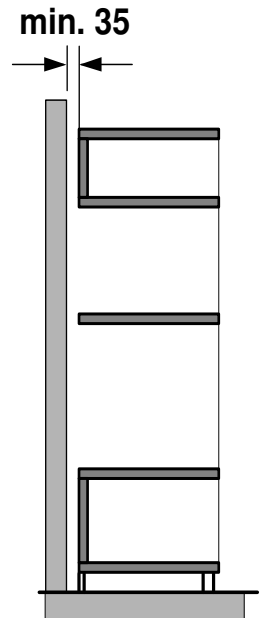
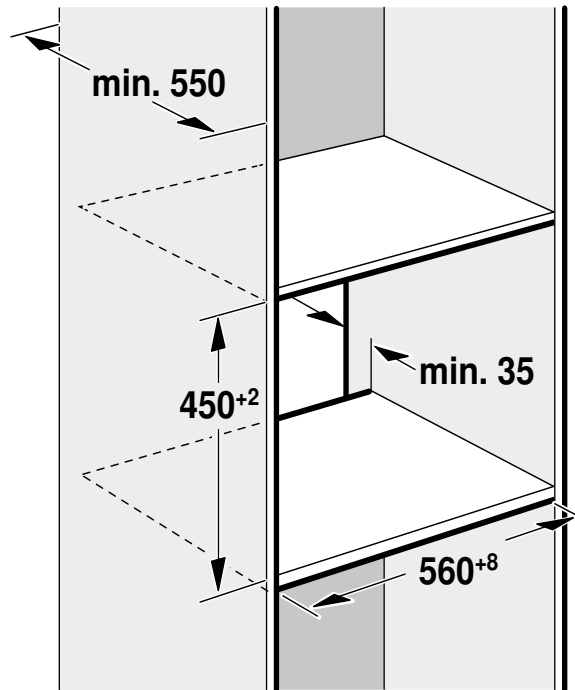
1



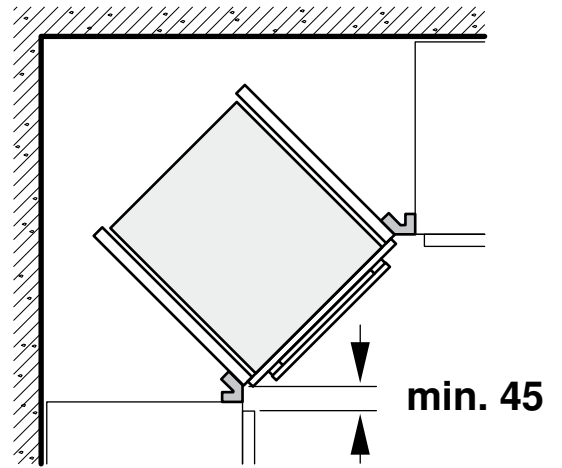
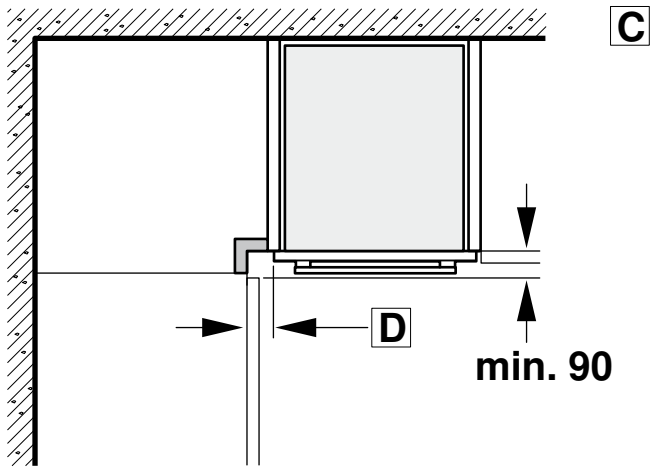
2



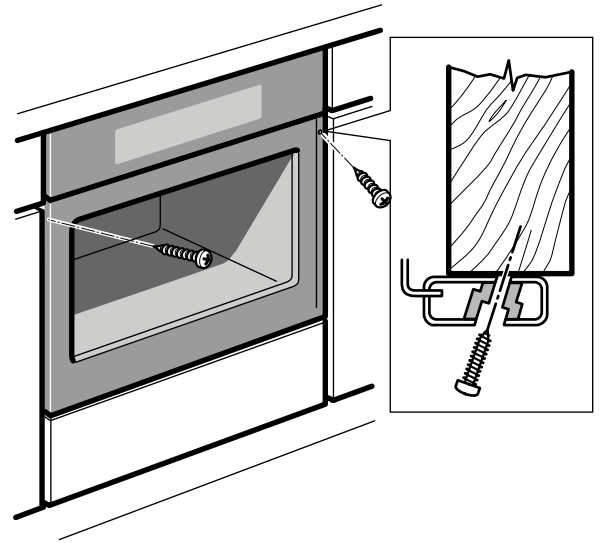
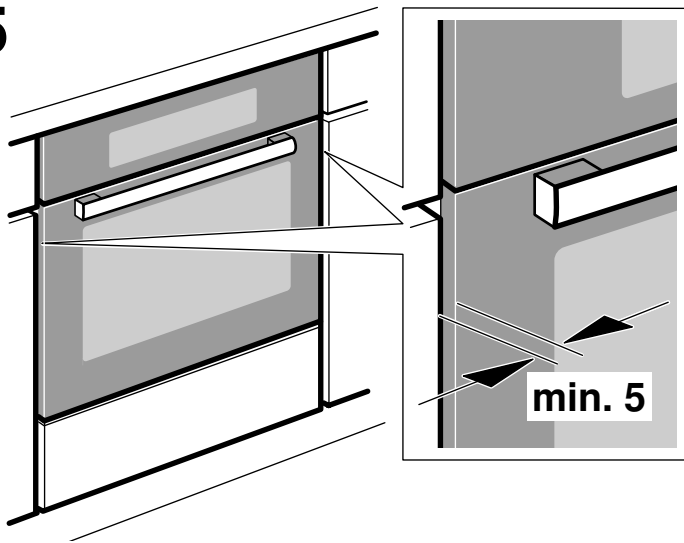
3



4



5



重要信息 – 图 1

- 只有根据本安装说明的专业标准进行安装，才能确保本电器安全工作。由于安装不当导致的损坏，应由安装人员承担责任。
- 拆包后请检查电器是否有损坏。如果电器在运输过程中损坏，请勿连接。
- 请按照安装文件进行配件安装。
- 开始启动电器前，请先取出烹饪箱中和电器门上的包装材料和胶膜。
- 所安装的橱柜必须能够承受高达 90 °C 的温度，相邻橱柜的面板能够承受高达 70 °C 的温度。
- 切勿将电器安装在装饰面板后面，因为会造成电器过热的风险。
- 任何需要在橱柜上开的开孔应在安装电器备好。清除刨花，因为刨花可能会妨碍电气部件正常工作。
- 请戴上防护手套，避免割伤自己。在安装过程中碰得到的部件可能具有锋利的边缘。
- 对于具有铰链开关板的电器，请确保开关板在打开时不会碰到临近的厨房橱柜。
- 电器的插座必须位于阴影区域 **A**，或者在电器安装区域之外。
- 使用标准支架 **B** 将未固定的橱柜固定至墙壁。
- 示意图中的尺寸单位为 mm。

△ 电子植入物佩戴者！

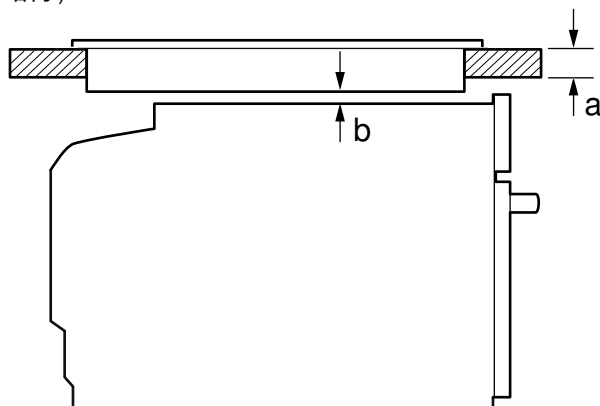
本设备可能包含永久磁铁，会对心脏起搏器或胰岛素泵等电子植入物造成影响。因此在安装本设备时，必须与电子植入物保持至少 10 cm 的距离。

操作台面 下面的设备 - 图 2

隔板必须设有出风口，用于设备通风。

将操作台面固定在内置式家具上。

如果设备安装在炉灶下面，则必须保持以下最小尺寸（必要时包括底部结构）：



炉灶类型	a	a	b
	装在上面	与平面齐平	
感应炉灶	42 mm	43 mm	5 mm
全平面感应炉灶	52 mm	53 mm	5 mm
燃气炉灶	32 mm	43 mm	5 mm
电炉灶	32 mm	35 mm	2 mm

根据必要的最小间距 **b** 得出最小操作台面厚度 **a**。

注意炉灶的安装说明。

将电器安装在高柜中 - 图 3

为了便于电器通风，中间隔板必须设有通风口。

如果除了元件后面板之外，高柜上还有一个后面板，则必须将此后面板拆卸下来。

电器的安装高度必须便于轻松拆卸附件。

转角处的安装 – 图 4

在转角处安装时，为了确保电器门可以打开，考虑尺寸 **C**。尺寸 **D** 取决于手柄下方的橱柜面板的厚度。

接通 设备电源

设备符合防护等级 I，仅允许配合地线连接运行。

必须根据型号铭牌上的功率数据和当地的规定 设置保险装置。

进行所有安装操作时，必须使设备断电。

设备仅允许用随附的连接线 连接。将连接线插到设备 背面（有“塔声！”）。

可在售后服务部门购买 3.0m 的连接线。

连接线仅允许替换成可在售后服务部门订购的原装线。

装入时确保有接触保护。

插头带接地触点的电源线

电器只能连接至安装正确的接地触点插座。

如果安装后无法接触到插头，必须在永久性电气安装中，根据安装规范，在电源相位中提供分区。

插头不带接地触点的电源线

只能由持有上岗证书的专业人员连接电器。

在永久性电气安装中，必须根据安装规范，在电源相位中提供分区。识别插座中的相导线和中线。如果没有正确连接，电器可能会损坏。

必须按照接线图连接电磁灶。电压参见铭牌。根据颜色代码连接电源线：绿 / 黄 = 地线 ⊕，蓝 = 中性线，棕 = 火线（外连导线）。

仅对于瑞典、芬兰和挪威

也可使用封闭插头将电器连接到接地触点系统。安装之后，必须能够接触到插头。如果安装后无法接触到插头，必须在永久性电气安装中，根据安装规范，在电源相位中提供分区。

将电器固定到位 - 图 5

1. 完全插入电器并使其居中放置。

2. 将电器螺丝拧到位。

切勿使用附加木条将工作台和电器之间的间隙封闭起来。

请勿将隔热条安装到周围橱柜的侧板上。

拆除

1. 断开电器电源。

2. 拧开固定螺钉。

3. 稍微抬高电器并将其完全拉出。

Important information – fig. 1

- The safe operation of this appliance can only be guaranteed if it has been installed to a professional standard in accordance with these installation instructions. The installer shall be liable for any damage resulting from incorrect installation.
- Check the appliance for damage after unpacking it. Do not connect the appliance if it has been damaged in transit.
- Proceed in accordance with the installation sheets for installing accessories.
- Before starting up the appliance, remove any packaging material and adhesive film from the cooking compartment and the door.
- Fitted units must be heat-resistant up to 90 °C, and adjacent unit fronts up to 70 °C.
- Do not install the appliance behind a decorative panel, as this puts the appliance at risk of overheating.
- Any cut-outs that need to be made in the units should be made before the appliance is installed. Remove any shavings, as they may prevent the electrical components from working properly.
- Wear protective gloves so that you do not cut yourself. Parts that are accessible during installation may have sharp edges.
- For appliances that have a hinged switch panel, make sure that the switch panel does not hit adjacent kitchen units when you open it.
- The mains socket for the appliance must either be located in the hatched area **A** or outside of the area where the appliance is installed.
- Secure any unsecured units to the wall using a standard bracket **B**.
- The dimensions in the figures are in mm.

⚠ Wearers of electronic implants!

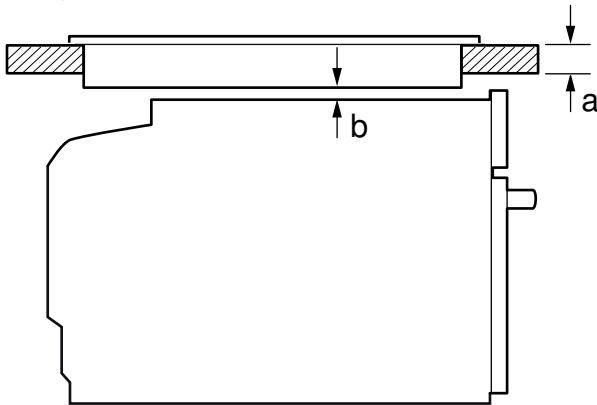
The appliance may contain permanent magnets which may affect electronic implants, e.g. heart pacemakers or insulin pumps. Therefore, during installation, wearers of electronic implants must maintain a minimum distance of 10 cm from the appliance.

Appliance under worktop – fig. 2

To ventilate the appliance, the intermediate floor must have a ventilation cut-out.

Secure the worktop to the fitted units.

If the appliance is installed under a hob, the following minimum dimensions must be adhered to (including substructure, if applicable):



Hob type	a	a	b
	Surface-mounted	Flush-mounted	
Induction hob	42 mm	43 mm	5 mm
Full-surface induction hob	52 mm	53 mm	5 mm
Gas hob	32 mm	43 mm	5 mm
Electric hob	32 mm	35 mm	2 mm

The minimum worktop thickness **a** is based on the required minimum clearance **b**.

Proceed in accordance with the installation instructions for the hob.

Appliance in a tall unit - Fig. 3

To ventilate the appliance, the intermediate floors must have a ventilation cut-out.

If the tall unit has another back panel in addition to the element back panels, this must be removed.

Only fit the appliance up to a height which allows accessories to be easily removed.

Corner installation – Fig. 4

To ensure that the appliance door can be opened in a corner installation, take account of dimension **C**. Dimension **D** is dependent on the thickness of the unit front under the handle.

Connecting the appliance to the electricity supply

The appliance corresponds to protection class 1 and must only be operated with a protective earth connection.

The fuse protection must correspond to the power rating specified on the appliance's rating plate and to local regulations.

The appliance must be disconnected from the power supply whenever installation work is being carried out.

The appliance must only be connected with the power cable provided. Connect the power cable to the back of the appliance (listen for the click).

A 3 m power cable can be obtained from the after-sales service.

The power cable must only be replaced with a cable from the original manufacturer, which can be obtained from the after-sales service.

When the appliance is installed, protection must be provided against accidental contact in the future.

Power cable with a plug with earthing contact

The appliance must only be connected to an earthing contact socket which has been correctly installed.

If the plug can no longer be reached after the installation, a partition must be provided in the phases in the permanent electrical installation in accordance with the installation regulations.

Power cable without a plug with earthing contact

Only allow a licensed professional to connect the appliance.

In the permanent electrical installation, a partition must be provided in the phases in accordance with the installation regulations. Identify the phase and neutral conductors in the socket. The appliance may be damaged if it is not connected correctly.

Only connect the hob according to the connection diagram. See the rating plate for the voltage. Connect the wires of the mains power cable according to the colour coding: Green/yellow = PE conductor (⊕), blue = neutral conductor, brown = live (external conductor).

India only

Please note the different colour code for the wiring: Green/yellow = PE conductor (⊕), black = neutral conductor, red = live conductor (phase conductor).

Only in Sweden, Finland and Norway

The appliance can also be connected to the earthing contact system using the enclosed plug. This must be accessible after installation. If the plug can no longer be reached after the installation, a partition must be provided in the phases in the permanent electrical installation in accordance with the installation regulations.

Securing the appliance – Fig. 5

1. Fully insert the appliance and centre it.

2. Screw the appliance into place.

The gap between the worktop and appliance must not be sealed by additional strips.

Thermal insulation strips must not be fitted to the side panels of the surround unit.

Removal

1. Disconnect the appliance from the power supply.

2. Undo the securing screws.

3. Lift the appliance slightly and then pull it out completely.