

# LP Gas Conversion Kit

Installation Manual

## NGM Gas Cooktops

NGM5055UC, NGMP055UC, NGM5655UC,  
NGM8055UC, NGM8065UC, NGM8655UC,  
NGM8665UC, NGMP655UC



**BOSCH**

Invented for life





---

# Table of Contents

<b>Safety Definitions</b> .....	<b>1</b>
NGM Gas Cooktop LP Gas Conversion .....	3
<b>Preparation</b> .....	<b>3</b>
<b>Installation Procedure</b> .....	<b>4</b>
Checklist .....	4
Step 2 - Replace the Orifices .....	5
Step 3 - Replace the Burner Caps and Grates .....	6
Step 4 - Convert Valves for LP Gas .....	6
Test for Gas Leaks .....	7
Check Manifold Gas Pressure .....	7
Final Check .....	8
Before Calling Service .....	8

This Bosch Appliance is made by  
BSH Home Appliances Corporation  
1901 Main Street, Suite 600  
Irvine, CA 92614

Questions?

1-800-944-2904

[www.bosch-home.com/us](http://www.bosch-home.com/us)

We look forward to hearing from you!



# **IMPORTANT SAFETY INSTRUCTIONS**

READ AND SAVE THESE INSTRUCTIONS

## Important Safety Instructions

### **WARNING**

If the information in this manual is not followed exactly, a fire or explosion may result causing property damage, personal injury or death.

Do not store or use combustible materials, gasoline or other flammable vapors and liquids in the vicinity of this or other appliance.

#### WHAT TO DO IF YOU SMELL GAS:

Do not try to light any appliance.  
Do not touch any electrical switch.  
Do not use any phone in your building.  
Immediately call your gas supplier from a neighbor's phone. Follow the gas supplier's instructions.  
If you cannot reach your gas supplier, call the fire department.

Installation and must be performed by a qualified installer, authorized service agency, or the gas supplier.

## Safety Definitions

---

### **WARNING**

This indicates that death or serious injuries may occur as a result of non-observance of this warning.

---

### **CAUTION**

This indicates that minor or moderate injuries may occur as a result of non-observance of this warning.

---

**NOTICE:** This indicates that damage to the appliance or property may occur as a result of non-compliance with this advisory.

Note: This alerts you to important information and/or tips.



# IMPORTANT SAFETY INSTRUCTIONS

READ AND SAVE THESE INSTRUCTIONS

## BOSCH COOKTOP CONVERSION KIT FOR TRADITIONAL MODELS NATURAL GAS (NG) TO PROPANE (LP) GAS

This kit is used to convert only NGM sealed burner cooktops from natural gas operation to propane gas operation. This kit cannot be used to convert other Bosch model sealed burner cooktops, ranges, or any other brand of cooktops.

---

### WARNING

This conversion kit shall be installed by a qualified service agency in accordance with the manufacturer's instructions and all applicable codes and requirements of the authority having jurisdiction. If the information in these instructions is not followed exactly, a fire, explosion or production of carbon monoxide may result causing property damage, personal injury or loss of life. The qualified service agency is responsible for the proper installation of this kit. The installation is not proper and complete until the operation of the converted appliance is checked as specified in the manufacturer's instructions supplied with the kit.

---

**IMPORTANT:** Only a qualified service technician or installer should make this conversion

**INSTALLER:** Please leave these Conversion Instructions with this unit for the owner.

**OWNER:** Please retain these instructions for future reference.

#### **For Massachusetts Installations:**

1. Installation must be performed by a qualified or licensed contractor, plumber, or gas fitter qualified or licensed by the state, province or region.
2. Shut-off valve must be a "T" handle gas cock.
3. Flexible gas connector must not be longer than 36 inches.

---

### CAUTION

When connecting the unit to the propane gas, make certain the propane gas tank is equipped with its own high pressure regulator. In addition, a pressure regulator was supplied with the cooktop. This second regulator must be installed with the cooktop. The maximum gas pressure to this appliance is not to exceed 14.0 inches water column from the propane gas tank regulator.

The following must be met when testing supply piping system:

- a) The appliance and its individual shut-off valve must be disconnected from the gas supply piping system at test pressures in excess of 1/2 psig (3.5 kPa).
  - b) The appliance must be isolated from the gas supply piping system by closing its individual manual shut-off valve during any pressure testing of the gas supply piping system at test pressures equal to or less than 1/2 psig (3.5 kPa).
-

# NGM Gas Cooktop LP Gas Conversion

## Preparation

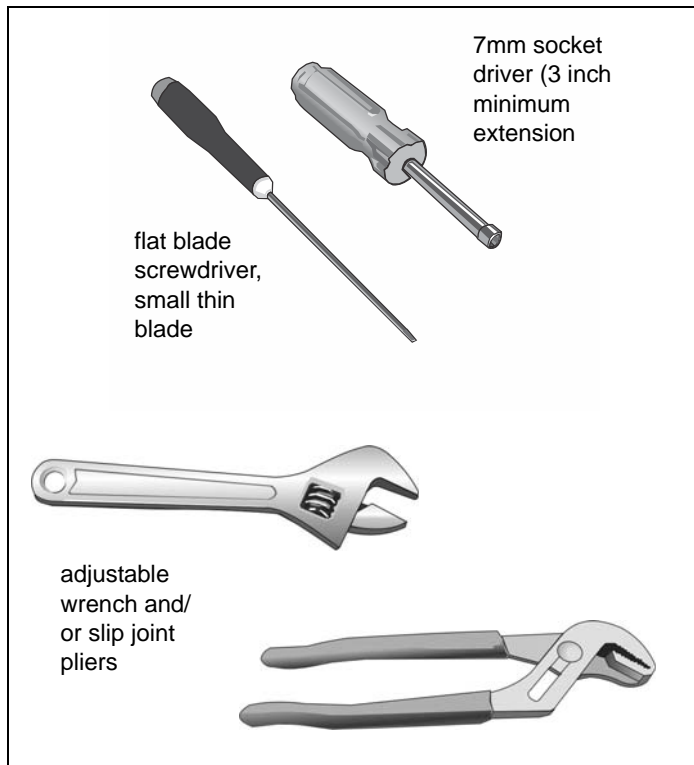
### Installation Kit Contents

Component	Quantity
Conversion Kit Instructions	1
Conversion Sticker	1
Foam Tape	1
95 Orifice	3
66 Orifice	2
44 Orifice	1

#### Note:

Depending on the model, the kit may contain more components that are necessary to complete your conversion.

### Tools Required



### Main Orifices

NGM5055UC		BTU/hr
122	Front Right	15,000
95	Front Left	9,100
95	Rear Left	9,100
66	Rear Right	5,000

NGM8055UC, NGM8065UC		BTU/hr
122	Center	15,000
66	Front Right	5,000
95	Front Left	9,100
66	Rear Left	5,000
95	Rear Right	9,100

NGMP055UC		BTU/hr
109	Large Center	15,000
44	Small Center	5,000
66	Front Right	5,000
95	Front Left	9,100
66	Rear Left	5,000
95	Rear Right	9,100

NGMP655UC		BTU/hr
109	Large Center	15,000
44	Small Center	5,000
95	Front Right	9,100
95	Front Left	9,100
95	Rear Left	9,100
66	Rear Right	5,000

NGM5655UC, NGM8655UC, NGM8665UC		BTU/hr
122	Center	15,000
95	Front Right	9,100
95	Front Left	9,100
95	Rear Left	9,100
66	Rear Right	5,000

# Installation Procedure

This conversion process adjusts the flow of gas to the burners to accommodate an LP gas fuel source.

## ⚠ CAUTION

TURN OFF GAS AND ELECTRICITY.

If the cooktop is installed in the counter,

- 1) shut off the gas valve for the gas supply line to the cooktop.
- 2) remove the cooktop power cord from the electrical outlet or turn off the breaker at the breaker box.
- 3) turn all control knobs to the "Off" position.

## Checklist

Each of the following steps must be completed correctly for the appliance to function properly.

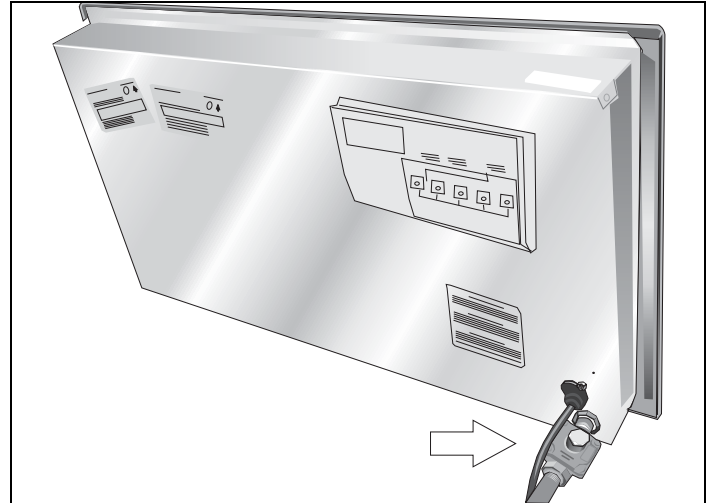
Check off each step as it is finished.

- \_\_\_ Step 1 - Convert the pressure regulator to use LP gas.
- \_\_\_ Step 2 - Remove the grates and burner caps. Remove the Natural Gas (NG) orifices and replace them with the LP gas orifices supplied with this kit.
- \_\_\_ Step 3 - Replace the burner caps and grates
- \_\_\_ Step 4 - Adjust the unit valves to LP settings.

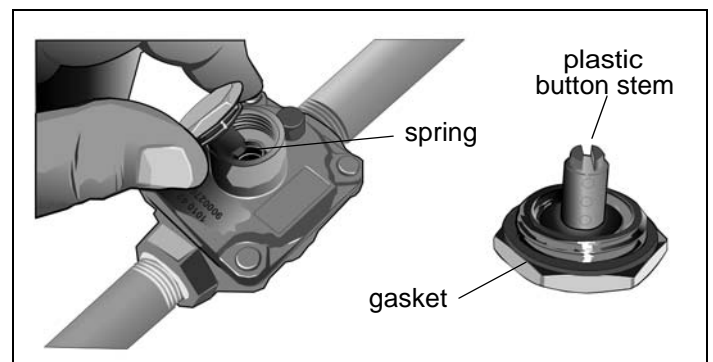
## Step 1 - Convert the Pressure Regulator

Locate the pressure regulator on the bottom right end of the cooktop.

Note: The arrow on the back of the regulator must point in the direction of the gas flow to the cooktop.



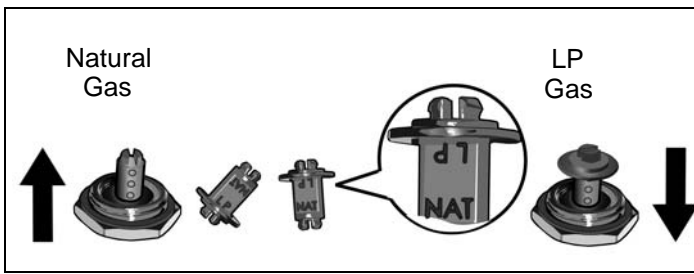
Remove the hexagon shaped cap from the regulator making sure not to dislodge the gasket on the cap or the spring inside the regulator.



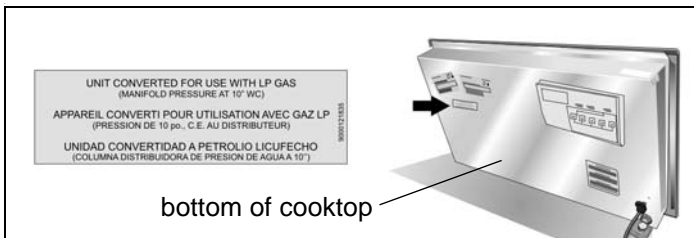
Grasp the plastic button stem (stem) firmly and pull it forcefully from the metal cap. The stem snaps snugly into an indent in the cap and may require a strong pull to remove. (Hint: it may be helpful to gently "rock" the plastic stem while pulling it from the metal cap.)

After removing the stem from the cap, rotate the stem 180° so the button end of the stem is away from the cap and the letters "LP" on the stem are upside down when the cap is set flat on its head. Snap the stem back in place in this position inserting it into the indent in the metal cap. The stem should snap into place.





**Important** - Attach the metallic sticker (included with this conversion kit) to the bottom of the appliance as shown, placing it near the appliance data plate (shows model number and information about the appliance). This sticker provides notice that the appliance has been converted for use with LP gas.



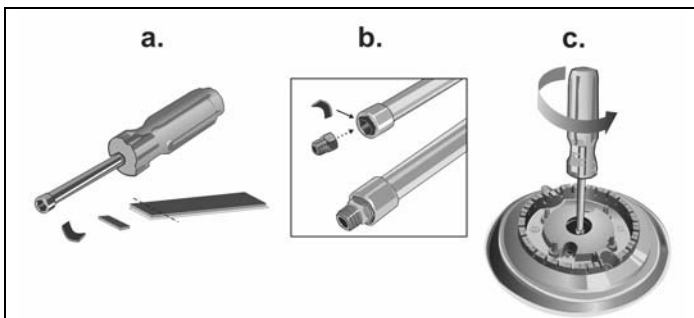
## Step 2 - Replace the Orifices

1. Remove the grates and burner caps.  
Note: Do not remove the ignitor from the unit.
2. Remove the orifices.

**Note:** The orifices require a 7 mm socket driver for removal/replacement. The driver will need to be inserted approximately 2 1/2" (64 mm) into the burner cavity to reach the orifice.

**Hint:** To reduce the chance of the orifice being dropped from the socket driver, add a piece of foam tape or adhesive tape inside the socket.

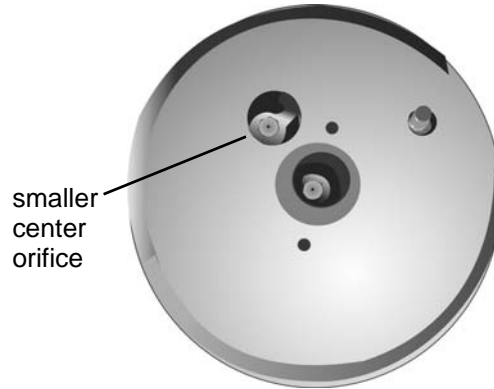
- a) Trim a small piece of the foam tape provided with this kit (about 1/4" x 1/2"; 6mm x 12mm).
- b) Fit this so the tape wraps against one side of the socket so it stays in place.
- c) When pressing the socket driver onto the orifice, the tape will fit to the orifice and help prevent the orifice from falling out of the socket during extraction.



Save the NG orifices in case there is need later to restore the appliance to use natural gas again.

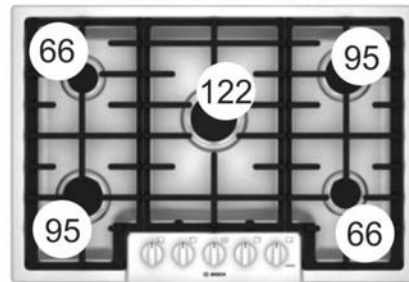
4. Identify the correct placement of the LP gas orifices as layed out on the orifice package card.

**Note:** The NGMP055UC and NGMP655UC models have an extra hidden orifice underneath the center unit cap. It is necessary to remove the burner cover plate to change the hidden (smaller) center orifice.

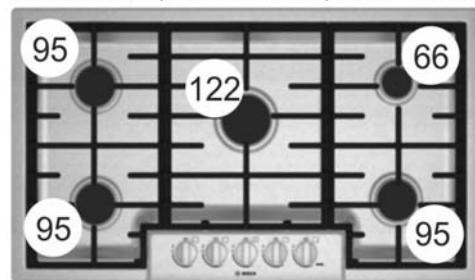


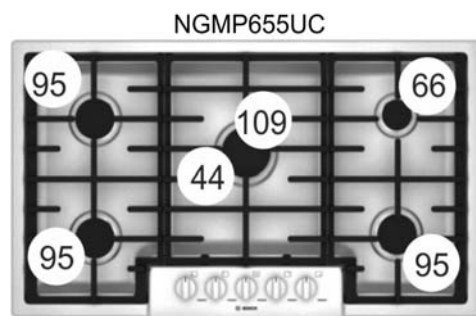
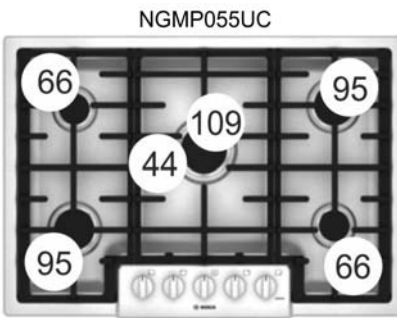
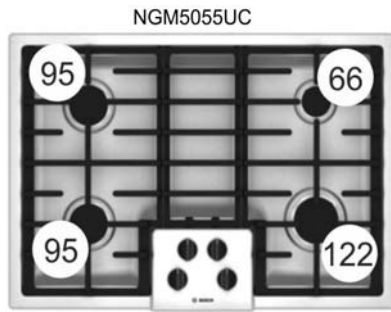
The orifice sizes are shown in the white circles corresponding to each burner as shown in the image below. These numbers are engraved on the top of each orifice. It is very important to install the correct orifice size for each burner

NGM8055UC, NGM8065UC



NGM5655UC, NGM8655UC, NGM8665UC





This will help prevent the orifice from falling out of the socket during insertion.

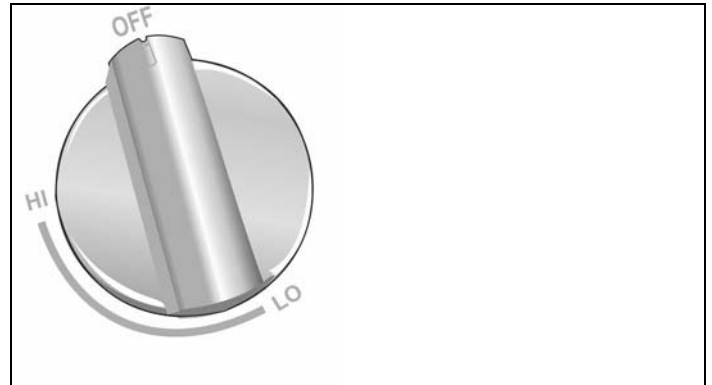
### Step 3 - Replace the Burner Caps and Grates

Replace the grates and burner caps. Be sure the grates are correctly placed and the rubber feet on the grates engage the indents in the cooktop for proper position.

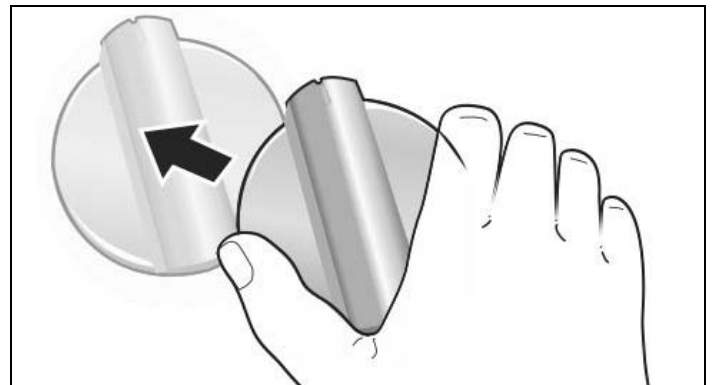
### Step 4 - Convert Valves for LP Gas

The bypass jet on each valve must be adjusted. Your cooktop may come with either hollow or solid valve shafts. Determine the bypass screw location accordingly.

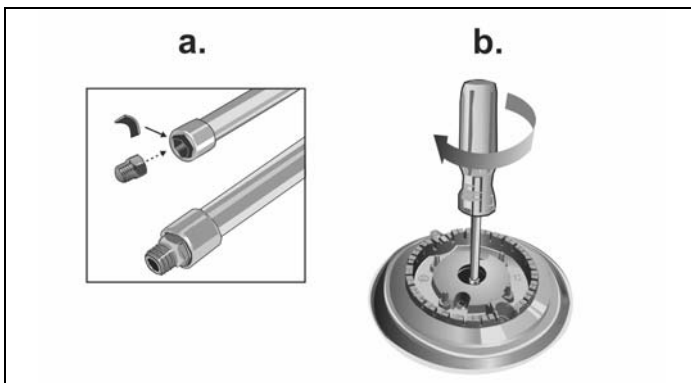
1. Turn all knobs to the "Off" position.



2. Remove knobs.

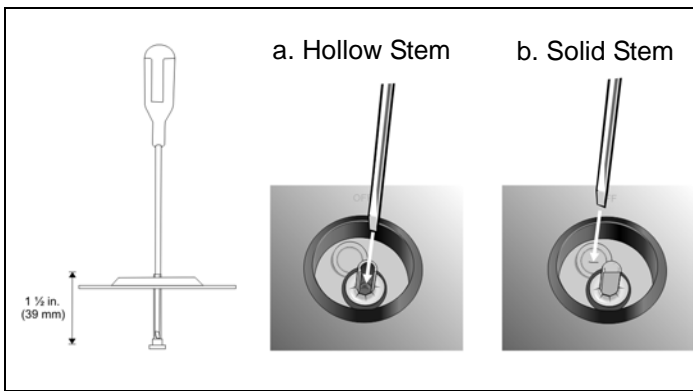


5. Insert each of the LP gas orifices provided with this kit into the socket (using the small piece of foam tape to assure a tight fit).
  - a) Check to be sure the small piece of foam tape used earlier is fitted to wrap against one side of the socket.
  - b) When pressing the socket driver onto the orifice, the tape will help the orifice fit more snugly inside the socket. This will help prevent the orifice from falling out of the socket during insertion.



Your appliance will have either a) hollow stem valves, or b) solid stem valves. The location of the adjustment screw is determined by which type of valve your appliance has.

3. Locate the correct point of insertion for the long, thin flat blade screwdriver to adjust the bypass jet (see the following illustration).



- a) Hollow stem valve - insert a long, thin flat blade screwdriver in the hollow stem of the valve. The adjustment screw is approximately 1 1/2" (39 mm) from the top of the stem. The screwdriver slides through a thin rubber barrier in the stem (helps prevent damage in the case of a spill on the unit surface).
  - b) Solid stem valve - insert a long, thin flat blade screwdriver through the seal in the area shown.
3. Engage the tip of the screwdriver into the adjustment screw by slowly turning the screwdriver and feeling for the blade to engage the screw. Then turn the screw clockwise about 70 degrees (less than 1/4 turn) until it "bottoms out" (does not turn any further). The screw does not take much pressure to turn. Stop when the screw does not easily turn any further. Repeat for each valve until all have been adjusted correctly.
  4. Replace the knobs.

## Test the Installation

### Test for Gas Leaks

#### **▲ WARNING**

NEVER TEST FOR GAS LEAKS USING A FLAME.

If any leaks are detected, do not proceed past this step until all leaks have been eliminated.

Leak testing is to be conducted by the installer according to the instructions given in this section.

Turn on gas. Apply a non-corrosive leak detection fluid to all joints and fittings in the gas connection between the shutoff valve and the cooktop. Include gas fittings and joints in the cooktop if connections may have been disturbed during installation. Bubbles appearing around fittings and connections indicate a leak. An electronic Gas Leak Detector can also be used.

If a leak appears, turn off the supply line gas shutoff valve and tighten the leaking connections. Retest for leaks by turning on the supply line gas shutoff valve. When the leak

check is complete (no bubbles appear), the test is complete. Wipe off all detection fluid residue.

### Check Manifold Gas Pressure

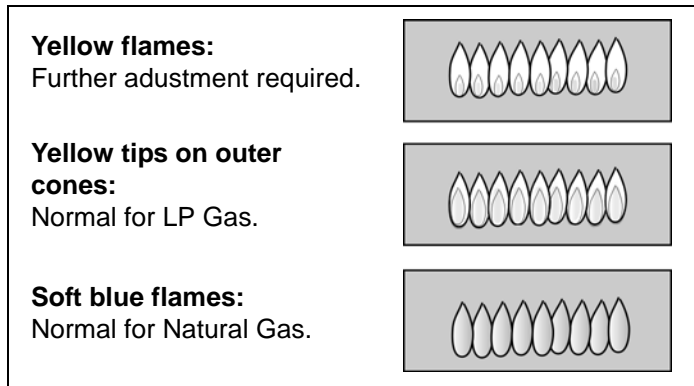
During any pressure testing of the gas supply piping system at test pressures greater than 14" of water column pressure (approximately 1/2" psig, 3.5 kPA) it is necessary to disconnect the cooktop and its individual shut-off valve from the gas supply piping system.

If it should be necessary to check the manifold gas pressure, connect a manometer (water gauge) or other approved gas pressure reading device to the top burner right rear orifice. Using a rubber hose with inside diameter of approximately 1/4" hold tubing down tight over orifice. Turn burner valve on.

## Final Check

After conversion is complete, place each correct sized burner cap in its seated, notched position and check the operation of the electric igniters. Check flame characteristics. Flame should be blue with a minimal yellow tip on the outer cone of the flames.

### Check Flame Characteristics



**Note:** If the flame is mostly yellow, verify that the regulator is set for the correct fuel. If adjustment is necessary, retest the system.

Some yellow streaking in the flame is normal during the initial start-up. Allow the unit to operate 4 to 5 minutes and then re-evaluate before making further adjustments.

# Service

## Before Calling Service

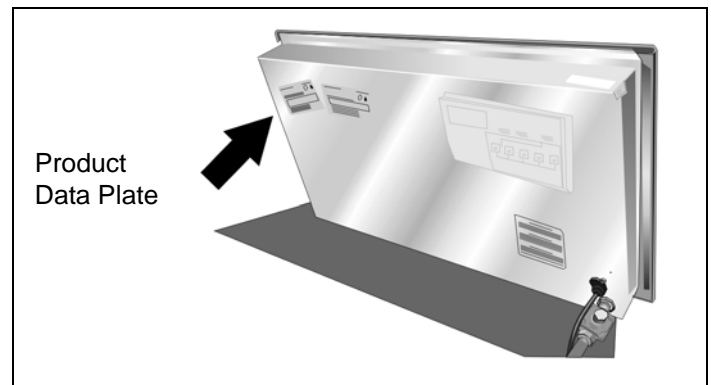
See your appliance Use and Care Manual for troubleshooting information. Refer to the Warranty section in the Use and Care Manual for warranty related information.

To reach a service representative, see the contact information at the front of the manual. Please be prepared to provide the information printed on your product data plate when calling (model, serial (FD) number, etc.).

### Product Data Plate

The data plate shows the model and serial number. Refer to the data plate on the appliance when requesting service. The data plate is located on the bottom of the rough-in box, underneath the visible part of the installed cooktop.

This data plate information is also provided in a sticker attached to the product registration card shipped with your appliance.



Keep your purchase invoice and any other related documents for warranty validation in the event service is needed.

---

# Table des matières

<b>Importantes consignes de sécurité</b>	<b>1</b>
<b>Définitions concernant la sécurité</b>	<b>1</b>
Conversion au gaz propane de la table de cuisson à gaz NGM	4
<b>Préparation</b>	<b>5</b>
<b>Procédure d'installation</b>	<b>6</b>
Liste de vérification	6
Étape 1 - Convertir le régulateur de pression	6
Étape 2 - Remplacer les orifices	7
Étape 3 - Remettre les grilles et les capuchons de brûleur en place	8
Étape 4 - Convertir les robinets pour le gaz propane (PL)	8
Vérifier la présence de fuites de gaz	9
Vérifier la pression d'admission du gaz	9
Vérification finale	10
Avant d'appeler le service de dépannage	10

Cet appareil électroménager Bosch est fabriqué par  
BSH Home Appliances, Corporation  
1901 Main Street, Suite 600  
Irvine, CA 92614

Questions?

1-800-944-2904

[www.bosch-home.com/us](http://www.bosch-home.com/us)

**Il nous fait toujours plaisir de recevoir vos commentaires!**



# **IMPORTANTES CONSIGNES DE SÉCURITÉ**

LIRE ET CONSERVER CES CONSIGNES

## Importantes consignes de sécurité

### **AVERTISSEMENT :**

Si les informations du présent manuel ne sont pas parfaitement respectées, un incendie ou une explosion risquent de survenir et de provoquer des dommages matériels, des blessures corporelles ou la mort.

Ne pas conserver ni utiliser de matières combustibles, d'essence ou d'autres vapeurs et liquides inflammables à proximité de cet appareil ou de tout autre appareil électroménager.

#### **QUE FAIRE EN CAS D'ODEUR DE GAZ :**

- Ne tentez d'allumer aucun appareil.
- Ne touchez aucun interrupteur électrique.
- N'utilisez aucun téléphone dans le local.
- Appelez immédiatement le fournisseur de gaz à partir du téléphone d'un voisin. Suivez les instructions du fournisseur de gaz.
- Si vous ne parvenez pas à joindre le fournisseur de gaz, appelez le service des incendies.

L'installation et l'entretien doivent être effectués par un installateur compétent, un service d'entretien autorisé ou le fournisseur de gaz.

## Définitions concernant la sécurité



### **AVERTISSEMENT**

Ceci indique que le non-respect de cet avertissement peut entraîner des blessures graves, voire la mort.



### **ATTENTION**

Ceci indique que le non-respect de cet avertissement peut entraîner des blessures légères ou modérées.

**AVIS :** Ceci indique que la non-conformité à cet avis de sécurité peut endommager l'appareil ou entraîner des dégâts matériels.

Remarque : Ceci vous avertit que d'importantes informations et/ou conseils sont fournis.



# IMPORTANTES CONSIGNES DE SÉCURITÉ

LIRE ET CONSERVER CES CONSIGNES

INSTALLATEUR : LAISSEZ CES INSTRUCTIONS AVEC L'APPAREIL APRÈS AVOIR TERMINÉ L'INSTALLATION.

IMPORTANT : À CONSERVER POUR L'USAGE DE L'INSPECTEUR LOCAL.

## Importantes consignes de sécurité

### AVERTISSEMENT :

Ne pas réparer ni remplacer des pièces de l'appareil à moins que cela ne soit expressément recommandé dans les manuels. Toute installation, réparation ou maintenance inadéquate peut entraîner des blessures ou des dommages matériels. Consultez ce manuel pour obtenir des conseils sur la façon de procéder. Tous les travaux d'entretien doivent être confiés à un technicien qualifié.

### Sécurité des appareils au gaz

- Installez un robinet d'arrêt de gaz à proximité de l'appareil. Celui-ci doit être facilement accessible en cas d'urgence.
- Un essai d'étanchéité doit être effectué par l'installateur conformément aux instructions du présent manuel.
- L'appareil et son robinet d'arrêt individuel doivent être débranchés de la tuyauterie d'alimentation en gaz lorsque vous effectuez des tests de pression à une pression d'épreuve dépassant ½ psi (3,5 kPa).
- L'appareil doit être isolé de la tuyauterie d'alimentation en gaz en fermant le robinet d'arrêt manuel individuel lorsque vous effectuez des essais de pression sur la tuyauterie d'alimentation en gaz si la pression d'épreuve est égale ou inférieure à ½ psi (3,5 kPa)
- La pression d'alimentation minimale doit être égale à 1 po (25,4 mm) à la colonne d'eau, au-dessus de la pression d'admission indiquée sur la plaque signalétique.
- La pression d'alimentation maximale ne doit pas dépasser 14 po (355 mm) à la colonne d'eau (34,9 millibars).
- Installations effectuées dans l'état du Massachusetts :
  - L'installation doit être effectuée par un entrepreneur qualifié ou titulaire d'une licence, un plombier ou installateur de gaz qualifié ou titulaire d'une licence octroyée par l'état, la province ou la région où l'appareil est installé.
  - Le robinet d'arrêt de gaz doit être pourvu d'une poignée en forme de « T ».
  - Le connecteur de gaz flexible doit être neuf et sa longueur ne doit pas dépasser 36 po (914 mm).
- Installateur - indiquez au propriétaire où se trouve le robinet d'arrêt de gaz.

### Installation du gaz propane

- Le réservoir de gaz propane doit être doté d'un régulateur haute pression dédié. En outre, le régulateur fourni avec cet appareil doit être également utilisé.
- Cet appareil est réglé à sa sortie de l'usine pour fonctionner au gaz naturel. Pour faire fonctionner l'appareil au gaz propane, il doit être converti. Cette conversion doit être effectuée par un technicien ou installateur qualifié.

### Exigences de sécurité concernant l'équipement et l'utilisation

- La table de cuisson doit être utilisée avec un système de ventilation approprié.
- Retirer le ruban adhésif et l'emballage avant d'utiliser l'appareil. Détruire l'emballage après avoir débarrassé l'appareil. Ne jamais laisser les enfants jouer avec des matériaux de conditionnement.
- Ne jamais modifier ni altérer la configuration de l'appareil. Par exemple, ne pas retirer les panneaux, les couvercles de câblage ou les vis.
- Pour éliminer le risque de brûlure ou d'incendie en passant la main au-dessus des éléments de surface chauffés, éviter d'utiliser l'espace de rangement des armoires situées au-dessus des éléments de surface. Si une armoire de rangement existe, le risque peut être réduit en installant une hotte d'extraction qui dépasse horizontalement d'un minimum de 5 po (12,7 cm) de la partie inférieure des armoires.
- Vérifiez que la profondeur maximale des armoires situées au-dessus de la table de cuisson ne dépasse pas 13 po (330 mm).

### Sécurité de manipulation de l'appareil

- Cet appareil est lourd et il faut au moins deux personnes ou l'équipement approprié pour le déplacer.
- Les surfaces cachées peuvent comporter des arêtes vives. Faites attention en tendant le bras derrière l'appareil ou en dessous.

### Codes et normes de sécurité

- Cet appareil est conforme à une ou plusieurs des normes suivantes :
  - **ANSI Z21.1, Norme nationale américaine pour les appareils de cuisson électroménagers au gaz**
- Il incombe au propriétaire et à l'installateur de déterminer si des exigences et/ou normes



# **IMPORTANTES CONSIGNES DE SÉCURITÉ**

## LIRE ET CONSERVER CES CONSIGNES

additionnelles s'appliquent pour des installations spécifiques.

- L'installation doit être conforme aux codes locaux ou, en l'absence de ceux-ci, au Code national du gaz combustible, ANSI Z223.1/NFPA 54.
- L'appareil doit être mis à la terre électriquement conformément aux codes locaux ou, en l'absence de ceux-ci, au Code national de l'électricité ANSI/ NFPA 70, dernière édition. (Au Canada, l'installation doit être conforme aux codes d'installation CAN 1-B149.1 et .2 pour les appareils au gaz et/ou aux codes locaux).

---

### **AVERTISSEMENT**

---

#### **Avertissements conformément à la Proposition 65 de l'État de Californie :**

Ce produit contient des substances chimiques reconnues par l'État de Californie comme pouvant causer le cancer, des malformations congénitales ou d'autres troubles de la reproduction.

---

#### **Sécurité électrique**

- Avant de brancher le cordon électrique, vérifier que tous les boutons de réglage sont dans la position « OFF » (Arrêt).

- Pour les appareils dotés d'un cordon d'alimentation avec fiche, ne pas couper ni enlever la broche de mise à la terre. Pour éviter tout choc électrique, brancher le cordon dans une prise de courant avec prise de terre adaptée. En cas de doute concernant la mise à la terre appropriée de la prise murale, le client doit faire vérifier celle-ci par un électricien qualifié.
- Cet appareil doit être installé conformément au Code national de l'électricité (National Electric Code) ou au Code canadien de l'électricité (Canadian Electric Code). Il est impératif que la table de cuisson soit installée sur un circuit de dérivation mis à la terre sans disjoncteur de fuite de terre.
- Installateur - indiquer au propriétaire l'emplacement du disjoncteur ou du fusible. Identifier sa position pour pouvoir le retrouver facilement.
- Important - Conserver ces instructions pour l'usage de l'inspecteur local en électricité.
- Avant l'installation, couper le courant au panneau de service. Verrouiller le panneau de service pour éviter que le courant ne soit accidentellement rétabli.
- S'assurer que l'appareil est adéquatement installé et mis à la terre par un technicien qualifié. L'installation, les connexions électriques et la mise à la terre doivent être conformes à tous les codes applicables.

# Conversion au gaz propane de la table de cuisson à gaz NGM

## Instructions de conversion

KIT DE CONVERSION POUR LES MODÈLES TRADITIONNELS DE TABLE DE CUISSON BOSCH POUR LE PASSAGE DU GAZ NATUREL (GN) AU GAZ PROPANE (LP)

NEZ1054

Ce kit permet de convertir uniquement les tables de cuisson à brûleurs scellés NGM d'un fonctionnement au gaz naturel à un fonctionnement au gaz propane. Ce kit ne peut pas être utilisé pour convertir d'autres modèles de table de cuisson ou de cuisinière à brûleurs scellés de Bosch ou une toute autre marque de table de cuisson.

### **▲ AVERTISSEMENT**

Ce kit de conversion doit être installé par une agence d'entretien qualifiée conformément aux instructions du fabricant et à tous les codes et exigences applicables des autorités qui ont juridiction. Si les informations contenues dans ces instructions ne sont pas suivies à la lettre, un incendie, une explosion ou la production de monoxyde de carbone peuvent se produire, entraînant des dommages matériels, des lésions corporelles ou la mort. L'agence d'entretien qualifiée est responsable d'installer ce kit de façon appropriée. L'installation n'est pas appropriée ou complète tant que l'opération de l'appareil converti n'a pas été vérifiée conformément aux instructions du fabricant fournies avec le kit.

**IMPORTANT :** Seul un technicien d'entretien ou un installateur qualifié doit effectuer cette conversion.

**INSTALLATEUR :** Veuillez laisser ces instructions d'installation avec l'appareil à l'intention du propriétaire.

**PROPRIÉTAIRE :** Veuillez conserver ces instructions à titre de référence.

### **Installations effectuées dans l'état du Massachusetts :**

1. L'installation doit être effectuée par un entrepreneur ou plombier qualifié ou autorisé, ou par un monteur d'installations au gaz qualifié ou agréé par l'état, la province ou la région.
2. Le robinet d'arrêt doit être pourvu d'une poignée en « T ».
3. La longueur du connecteur de gaz flexible ne doit pas dépasser 36 po (914 mm).

### **▲ MISE EN GARDE**

Lors du raccordement de l'unité au gaz propane, s'assurer que le réservoir de gaz propane est doté de son propre régulateur haute pression. En outre, un régulateur de pression a été fourni avec la table de cuisson. Ce deuxième régulateur doit être installé avec la table de cuisson. La pression de gaz maximale à cet appareil ne doit pas dépasser 14 po CE (colonne d'eau) à partir du régulateur du réservoir de gaz propane.

Les conditions suivantes doivent être remplies lors des tests effectués sur la tuyauterie d'alimentation :

- a) L'appareil et son robinet d'arrêt individuel doivent être débranchés de la tuyauterie d'alimentation en gaz lorsque vous effectuez des tests de pression à une pression d'épreuve dépassant 3,5 kPa (1/2 psig).
- b) L'appareil doit être isolé de la tuyauterie d'alimentation en gaz en fermant le robinet d'arrêt manuel individuel lorsque vous effectuez des essais de pression sur la tuyauterie d'alimentation en gaz si la pression d'épreuve est égale ou inférieure à 3,5 kPa (1/2 psig).

# Préparation

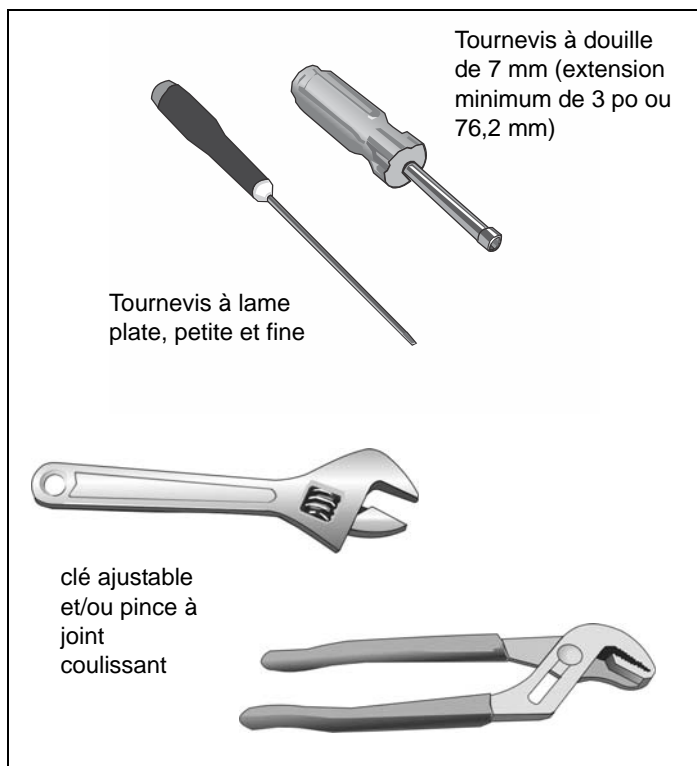
## Contenu du kit d'installation

Composant	Quantité
Instructions du kit de conversion	1
Autocollant de conversion	1
Ruban en mousse	1
Orifice 95	3
Orifice 66	2
Orifice 44	1

### Remarque :

Selon le modèle, le kit peut contenir d'autres composants, lesquels sont nécessaires à la réalisation de la conversion.

## Outil requis



## Orifices principaux

NGM5055UC		BTU/h
122	Avant droit	15 000
95	Avant gauche	9 100
95	Arrière gauche	9 100
66	Arrière droit	5 000

NGM8055, 8065UC		BTU/h
122	Milieu	15 000
66	Avant droit	5 000
95	Avant gauche	9 100
66	Arrière gauche	5 000
95	Arrière droit	9 100

NGMP055UC		BTU/h
109	Milieu grand	15 000
44	Milieu petit	5 000
66	Avant droit	5 000
95	Avant gauche	9 100
66	Arrière gauche	5 000
95	Arrière droit	9 100

NGMP655UC		BTU/h
109	Milieu grand	15 000
44	Milieu petit	5 000
95	Avant droit	9 100
95	Avant gauche	9 100
95	Arrière gauche	9 100
66	Arrière droit	5 000

NGM5655, 8655, 8665UC		BTU/h
122	Milieu	15 000
95	Avant droit	9 100
95	Avant gauche	9 100
95	Arrière gauche	9 100
66	Arrière droit	5 000

# Procédure d'installation

Ce processus de conversion ajuste le débit du gaz aux brûleurs pour correspondre à celui convenant au gaz propane.

## ▲ MISE EN GARDE

ÉTEIGNEZ LE GAZ ET L'ÉLECTRICITÉ.

Si la table de cuisson est installée dans le plan de travail :

- 1) fermez le robinet de gaz relié au tuyau d'alimentation en gaz de la table de cuisson;
- 2) débranchez le cordon d'alimentation de la table de cuisson de la prise électrique ou retirez le fusible au niveau du boîtier de disjoncteurs;
- 3) placez tous les boutons de commande à la position « désactivée ».

## Liste de vérification

Chacune des étapes suivantes doit être complétée correctement pour assurer le bon fonctionnement de l'appareil.

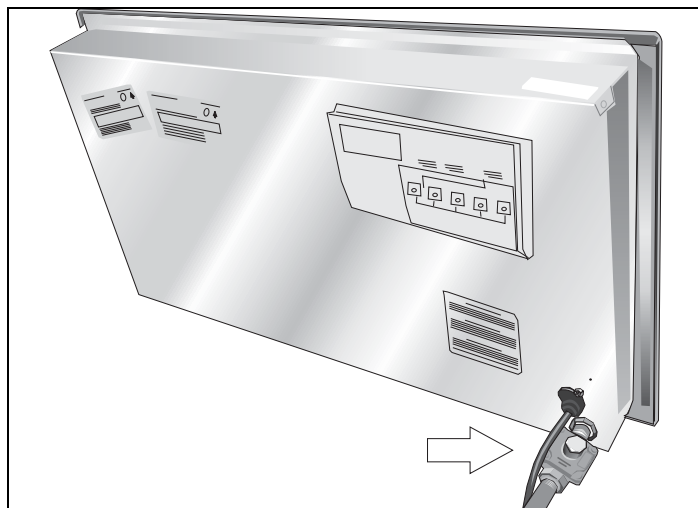
Cochez chaque étape en la complétant.

- \_\_\_ Étape 1 - Convertissez le régulateur de pression pour utiliser le gaz propane.
- \_\_\_ Étape 2 - Retirez les orifices du gaz naturel (GN) et remplacez-les par les orifices pour le gaz propane (PL) fournis avec ce kit.
- \_\_\_ Étape 3 - Remettez les grilles et les capuchons de brûleur en place
- \_\_\_ Étape 4 - Ajustez les robinets de l'unité conformément aux réglages pour le gaz propane (PL).

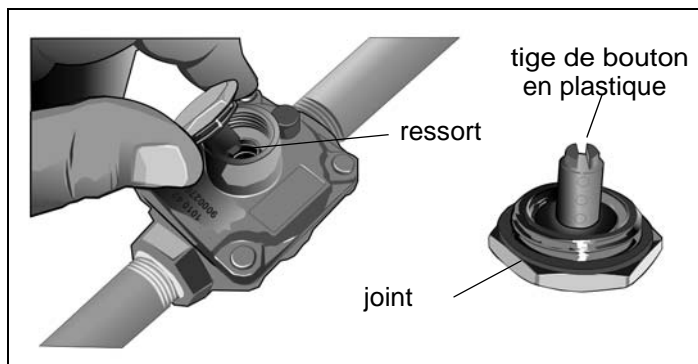
## Étape 1 - Convertir le régulateur de pression

Localisez le régulateur de pression au bas de l'extrémité droite de la table de cuisson.

**Remarque :** La flèche au dos du régulateur doit pointer dans la direction de la circulation du gaz vers la table de cuisson.

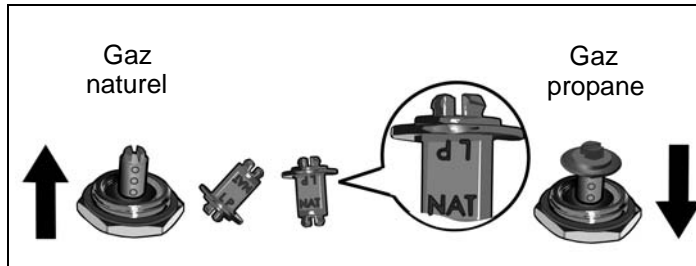


Retirez le capuchon hexagonal du régulateur en vous assurant de ne pas déloger le joint du capuchon ou le ressort à l'intérieur du régulateur.

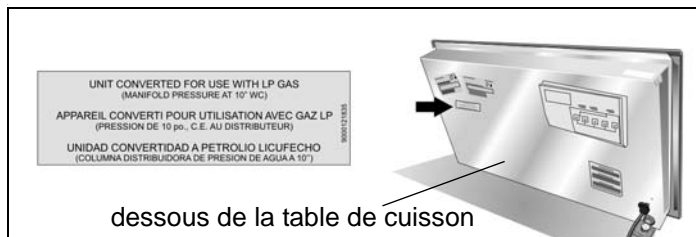


Saisissez fermement la tige de bouton en plastique (la tige) et retirez-la du capuchon métallique. La tige est insérée solidement dans un retrait du capuchon et peut nécessiter un bon effort pour être retirée. Conseil : Il peut être utile de « secouer » délicatement la tige en plastique tout en la tirant du capuchon métallique.

Après avoir retiré la tige du capuchon, faites-la pivoter de 180° pour que l'extrémité en bouton de la tige soit à l'opposé du capuchon et que les lettres « PL » ou « LP » sur la tige soient à l'envers lorsque le capuchon est placé à plat sur son extrémité. Remettez la tige en place dans cette position en l'insérant dans le retrait du capuchon métallique. La tige devrait se verrouiller en place.



**Important** - Fixez l'autocollant métallique (compris avec ce kit de conversion) au-dessous de l'appareil tel qu'illustré, près de la plaque signalétique de l'appareil (qui indique le numéro de série et des informations sur l'appareil). Cet autocollant indique que l'appareil a été converti pour utiliser le gaz propane (PL).



## Étape 2 - Remplacer les orifices

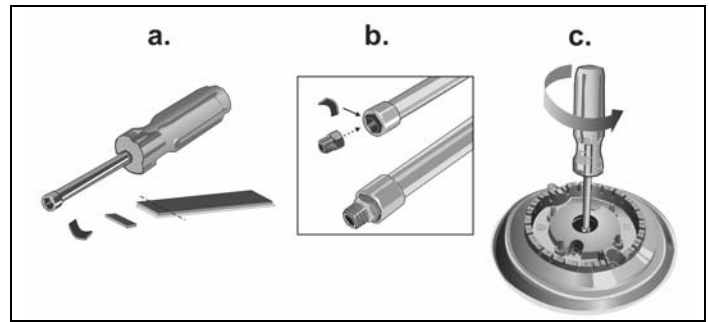
1. Retirez les grilles et les capuchons des brûleurs.  
Remarque : N'enlevez pas l'allumeur de l'unité.
2. Retirez les orifices.

**Remarque :** Les orifices nécessitent une clé à douille de 7 mm pour être retirés ou remplacés. La clé doit être insérée à environ 64 mm (2 1/2 po) dans la cavité du brûleur pour atteindre l'orifice.

*Conseil :* Pour réduire le risque que l'orifice tombe de la clé à douille, vous pouvez ajouter un morceau de ruban en mousse ou de ruban adhésif à l'intérieur de la douille.

- a) Découpez un petit morceau du ruban en mousse fourni avec le kit (environ 6 mm x 12 mm ou 1/4 po x 1/2 po).
- b) Placez le morceau de façon à entourer un côté de la douille pour qu'il tienne en place.

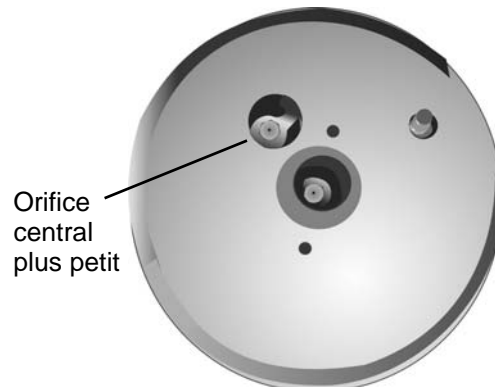
- c) En enfonçant la clé à douille dans l'orifice, le ruban se moulera à l'orifice pour l'empêcher de tomber de la douille au cours de l'extraction.



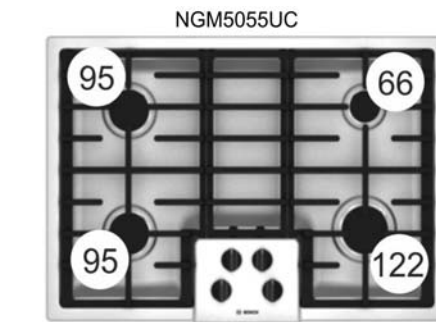
Conservez les orifices pour le GN au cas où vous devriez reconverter l'appareil pour utiliser de nouveau du gaz naturel.

4. Identifiez le positionnement approprié des orifices pour le gaz propane (PL) tel qu'indiqué sur le carton d'emballage des orifices.

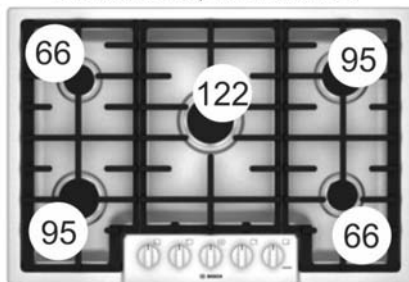
Remarque : Les modèles NGMP055UC et NGMP655UC sont équipés d'un orifice supplémentaire dissimulé sous le capuchon central de l'unité. Il est nécessaire de retirer le cache pour modifier l'orifice central (le plus petit) caché.



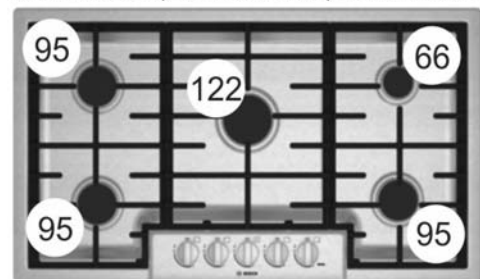
Les tailles des orifices sont indiquées à l'intérieur des cercles blancs correspondant à chaque brûleur comme indiqué dans l'illustration ci-dessous. Ces nombres sont gravés sur le dessus de chaque orifice. Il est important d'installer la bonne taille d'orifice pour chaque brûleur.



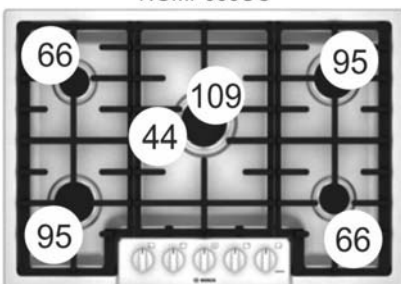
NGM8055UC, NGM8065UC



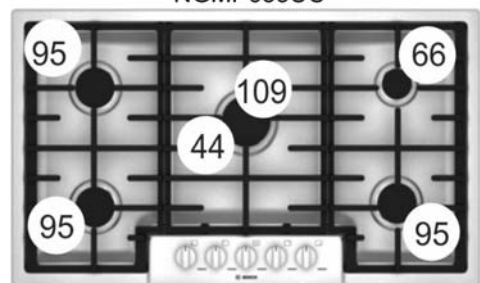
NGM5655UC, NGM8655UC, NGM8665UC



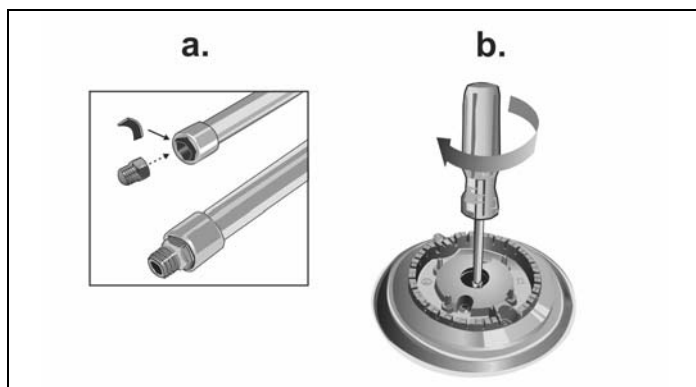
NGMP055UC



NGMP655UC



dans la douille. Vous pourrez ainsi éviter que l'orifice tombe de la douille au cours de l'insertion.



Vous pourrez ainsi éviter que l'orifice tombe de la douille au cours de l'insertion.

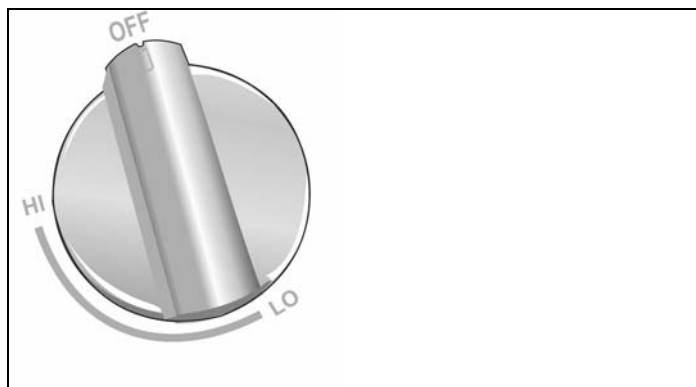
### Étape 3 - Remettre les grilles et les capuchons de brûleur en place

Remettre les grilles et les capuchons de brûleur en place. S'assurer que les grilles sont correctement mises en place et que les pieds en caoutchouc des grilles sont placés en position correcte dans les indentations de la table de cuisson.

### Étape 4 - Convertir les robinets pour le gaz propane (PL)

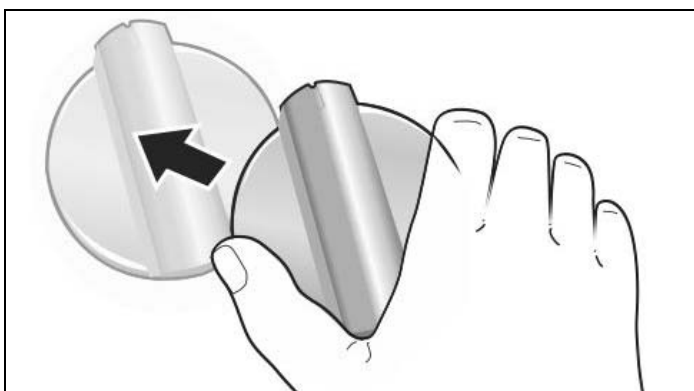
Le jet de contournement sur chaque robinet doit être ajusté. Votre table de cuisson peut être munie de tiges de robinet vides ou solides. Déterminez la position de la vis de contournement en fonction de la configuration de votre appareil.

1. Placez tous les boutons à la position « désactivée ».



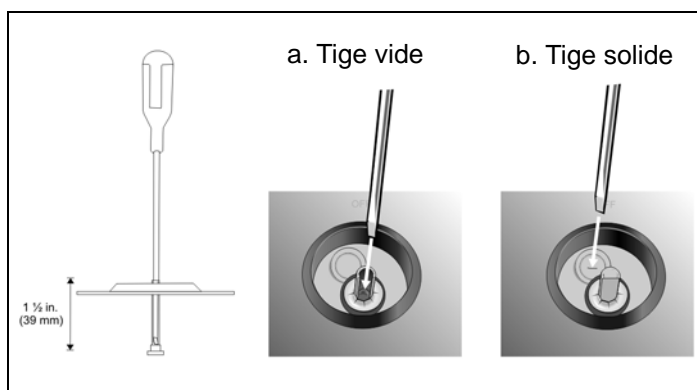
2. Enlevez les boutons.

5. Insérez chaque orifice pour gaz propane (PL) fourni avec ce kit dans la douille (en utilisant un petit morceau de ruban en mousse pour assurer un ajustement serré).
  - a) Assurez-vous que le petit morceau de ruban en mousse utilisé précédemment entoure toujours un côté de la douille.
  - b) En enfonceant la clé à douille dans l'orifice, le ruban aidera à maintenir un ajustement serré de l'orifice



Votre appareil sera muni soit de a) robinets à tige vide ou de b) robinets à tige solide. La position de la vis d'ajustement sera déterminée par le type de robinet dont dispose votre appareil.

3. Trouvez le point d'insertion approprié pour le long tournevis à lame plate et fine afin d'ajuster le jet de contournement (consultez l'illustration suivante).



- a) Robinet à tige vide - insérez un long tournevis à lame plate et fine dans la tige vide du robinet. La vis d'ajustement se trouve à environ 39 mm (1 1/2 po) de l'extrémité de la tige. Le tournevis glissera dans une mince barrière en caoutchouc dans la tige (conçue pour éviter des dommages en cas de dégâts sur la surface de l'appareil).
  - b) Robinet à tige solide - insérez un long tournevis à lame plate et fine à travers le sceau dans la zone indiquée.
3. Placez le bout du tournevis dans la vis d'ajustement et tournez lentement le tournevis tout en tentant de vérifier que la tête est bien engagée dans la vis. Faites tourner la vis dans le sens des aiguilles d'une montre sur environ 70 degrés (moins d'un quart de tour) jusqu'à ce qu'elle se bloque (vous ne pourrez plus tourner davantage). La vis nécessite très peu de force pour être tournée. Arrêtez lorsque vous sentez de la

résistance. Répétez l'opération pour chaque robinet jusqu'à ce que tous les robinets soient bien ajustés.

4. Remplacez les boutons.

## Vérifier l'installation

### Vérifier la présence de fuites de gaz

#### ▲ AVERTISSEMENT

NE VÉRIFIEZ JAMAIS LA PRÉSENCE DE FUITES DE GAZ AVEC UNE FLAMME.

Si des fuites sont détectées, ne passez pas à la prochaine étape avant d'avoir éliminé toutes les fuites.

La vérification doit être effectuée par l'installateur conformément aux instructions de cette section.

Ouvrez le gaz. Appliquez un liquide de détection des fuites non corrosif sur tous les joints et raccords de la connexion de gaz entre le robinet d'arrêt et la table de cuisson. Vous devez inclure les joints et raccords de gaz de la table de cuisson si les connexions ont été perturbées pendant l'installation. Des bulles autour des raccords et connexions indiquent la présence d'une fuite. Un détecteur électronique de fuites de gaz peut également être utilisé.

S'il y a une fuite, fermez le robinet d'arrêt de gaz du tuyau d'alimentation et serrez les connexions qui fuient. Vérifiez de nouveau les fuites en ouvrant le robinet d'arrêt de gaz du tuyau d'alimentation. Une fois la vérification terminée (il n'y a plus de bulles), le test est terminé. Essuyez tout résidu provenant du liquide de détection.

### Vérifier la pression d'admission du gaz

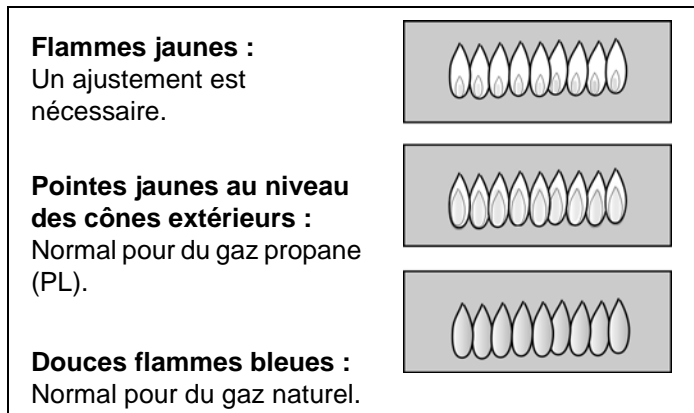
Au cours de tout test de pression de la tuyauterie d'alimentation à des pressions d'épreuve dépassant 3,5 kPA (environ 14 po de la colonne d'eau ou 1/2" psig), il est nécessaire de débrancher la table de cuisson et son robinet d'arrêt individuel de la tuyauterie d'alimentation en gaz.

Si la pression d'admission doit être vérifiée, branchez un manomètre (colonne d'eau) ou un autre appareil de mesure de la pression de gaz approuvé à l'orifice du brûleur supérieur droit. Utilisez un tuyau de caoutchouc d'un diamètre intérieur de 0,6 cm (1/4 po) et maintenez-le fermement sur l'orifice. Allumez le robinet du brûleur.

## Vérification finale

Une fois la conversion terminée, placez chaque capuchon de brûleur de la taille appropriée dans leur position installée et engagée et vérifiez le fonctionnement des allumeurs électriques. Vérifiez les caractéristiques de la flamme. La flamme devrait être bleue avec une petite pointe jaune sur les cônes extérieurs des flammes.

### Vérifier les caractéristiques de la flamme



**Remarque :** Si la flamme est entièrement jaune ou presque, vérifiez que le régulateur est réglé pour le combustible approprié. Si un ajustement est nécessaire, vérifiez de nouveau le système.

Il est normal que la flamme présente des raies jaunes pendant la mise en marche initiale. Laissez l'appareil fonctionner pendant 4 à 5 minutes et vérifiez de nouveau avant d'effectuer d'autres ajustements.

## Réparation

### Avant d'appeler le service de dépannage

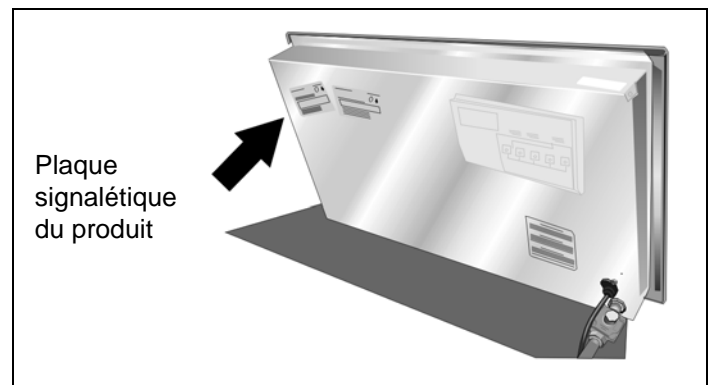
Pour des informations sur le dépannage, consultez le Manuel d'utilisation et d'entretien de votre appareil. Consulter la section Garantie dans le Manuel d'utilisation et d'entretien pour des informations concernant la garantie.

Pour contacter un technicien de dépannage, consultez les coordonnées sur la couverture avant du manuel. Lors de l'appel, soyez préparé à fournir les informations imprimées sur la plaque signalétique du produit (modèle, numéro de série (FD), etc.).

### Plaque signalétique du produit

La plaque signalétique comporte le numéro de modèle et le numéro de série. Reportez-vous à la plaque signalétique de l'appareil électroménager pour faire une demande de dépannage. La plaque signalétique se trouve sur la face arrière du boîtier, sous la partie visible de la table de cuisson installée.

Les informations de la plaque signalétique se retrouvent également sur un autocollant fixé à la carte d'enregistrement du produit comprise avec votre appareil.



Conservez la facture et les documents pertinents pour la validation de la garantie si une réparation s'avérait nécessaire.



---

# Índice

<b>Instrucciones de seguridad importantes</b>	<b>1</b>
<b>Definiciones de seguridad</b>	<b>1</b>
Conversión a gas LP de placa a gas NGM	4
<b>Preparación</b>	<b>5</b>
<b>Procedimiento de instalación</b>	<b>6</b>
Lista de verificación	6
Paso 1: Convierta el regulador de presión	6
Paso 2: Reemplace los orificios	7
Paso 3 - Vuelva a colocar las tapas de los quemadores y las parrillas.	8
Paso 4: Convierta las válvulas para la utilización de gas LP	8
Realice pruebas para detectar fugas de gas	9
Verifique la presión de admisión de gas	9
Verificación final	10
Antes de llamar al servicio técnico	10

Este electrodoméstico de Bosch es fabricado por  
BSH Home Appliances Corporation  
1901 Main Street, Suite 600  
Irvine, CA 92614

¿Tiene preguntas?

1-800-944-2904

[www.bosch-home.com/us](http://www.bosch-home.com/us)

¡Esperamos recibir sus comentarios!





# INSTRUCCIONES DE SEGURIDAD IMPORTANTES

LEA Y CONSERVE ESTAS INSTRUCCIONES

## Instrucciones de seguridad importantes

### **ADVERTENCIA:**

Si no sigue la información de este manual exactamente, se puede ocasionar un incendio o una explosión que puede causar daños materiales, lesiones personales o la muerte.

No almacene ni utilice materiales combustibles, gasolina ni otros vapores y líquidos inflamables cerca de este electrodoméstico ni de cualquier otro.

### **QUÉ DEBE HACER SI SIENTE OLOR A GAS**

- No intente encender ningún electrodoméstico.
- No toque ningún interruptor eléctrico.
- No use ningún teléfono en su edificio.
- Llame inmediatamente a su proveedor de gas desde el teléfono de un vecino. Siga las instrucciones del proveedor de gas.
- Si no puede comunicarse con su proveedor de gas, llame al departamento de bomberos.

La instalación y el servicio técnico deben ser realizados por un instalador calificado, una agencia de servicio técnico autorizada o el proveedor de gas.

## Definiciones de seguridad

### **ADVERTENCIA**

Esto indica que pueden producirse la muerte o lesiones graves como resultado de la falta de cumplimiento de esta advertencia.

### **PRECAUCIÓN**

Esto indica que pueden producirse lesiones menores o moderadas como resultado de la falta de cumplimiento de esta advertencia.

**AVISO:** Esto indica que pueden producirse daños al electrodoméstico o daños materiales como resultado de la falta de cumplimiento de esta recomendación.

Nota: Esto le avisa sobre información y/o consejos importantes.

# INSTRUCCIONES DE SEGURIDAD IMPORTANTES

LEA Y CONSERVE ESTAS INSTRUCCIONES

INSTALADOR: DEJE ESTAS INSTRUCCIONES CON EL ELECTRODOMÉSTICO CUANDO HAYA FINALIZADO LA INSTALACIÓN.

IMPORTANTE: GUÁRDELAS PARA USO DEL INSPECTOR LOCAL.

## Instrucciones de seguridad importantes

### ADVERTENCIA:

No repare ni reemplace ninguna parte del electrodoméstico, a menos que se recomiende específicamente en los manuales. La instalación, el servicio técnico o el mantenimiento incorrectos pueden causar lesiones o daños materiales. Consulte este manual para su orientación. Cualquier otro tipo de reparación debe ser realizada por un técnico calificado.

### Seguridad de los electrodomésticos a gas

- Instale una válvula de paso de gas cerca del electrodoméstico. Esta válvula debe estar en un área fácilmente accesible en una emergencia.
- El instalador debe verificar que no haya fugas según las instrucciones de este manual.
- El electrodoméstico y su válvula de paso individual deben estar desconectados del sistema de tuberías de alimentación de gas durante cualquier prueba de presión, cuando la presión sea mayor que ½ psi (3.5 kPa).
- Se debe aislar el electrodoméstico del sistema de tuberías de alimentación de gas cerrando la válvula de paso manual individual durante cualquier prueba de presión del sistema de tuberías de alimentación de gas con presiones de prueba iguales o menores que ½ psi (3.5 kPa).
- La presión mínima de suministro debe ser 1 pulg. (2.5 cm) de columna de agua por encima de la presión de admisión impresa en la placa de datos.
- La presión máxima de suministro no debe exceder 14.0 pulgadas de columna de agua (34.9 milibares).
- Para instalaciones en Massachusetts:
  - La instalación debe ser realizada por un contratista calificado o con licencia, un plomero o gasista calificado o con licencia otorgada por el estado, la provincia o la región donde se instale este electrodoméstico.
  - La válvula de paso debe tener una llave de gas con mango en "T".
  - El conector de gas flexible debe ser nuevo y no debe medir más de 36 pulgadas (91 cm).
- Instalador: muestre al propietario del electrodoméstico la ubicación de la válvula de paso de gas.

### Instalación de gas propano

- El tanque de gas propano debe estar equipado con su propio regulador de alta presión. Además, se debe usar el regulador suministrado con esta unidad.
- El electrodoméstico es enviado de fábrica para uso con gas natural. Debe convertirse para utilizar propano. La conversión debe estar a cargo de un técnico o instalador calificado.

### Requisitos de seguridad de equipos y de uso

- La placa debe usarse junto con un sistema de ventilación adecuado.
- Retire toda la cinta y el embalaje antes de usar el electrodoméstico. Destruya el embalaje después de desembalar el electrodoméstico. Nunca deje que los niños jueguen con el material de embalaje.
- Nunca modifique ni altere la construcción del electrodoméstico. Por ejemplo, no retire los paneles, las cubiertas para cables ni los tornillos.
- Para eliminar el riesgo de quemaduras o incendio al tocar las unidades de superficie calentadas, se debe evitar dejar espacio de almacenamiento en gabinetes sobre las unidades de superficie. En el caso de que haya almacenamiento en gabinetes, se puede reducir el riesgo instalando una campana que se proyecte horizontalmente 5 pulgadas (127 mm), como mínimo, desde la parte inferior del gabinete.
- Verifique que los gabinetes que se encuentran arriba de la placa tengan, como máximo, 13 pulg. (330 mm) de profundidad.

### Seguridad con el manejo del electrodoméstico

- La unidad es pesada y se requieren al menos dos personas o un equipo adecuado para trasladarla.
- Las superficies ocultas pueden tener bordes filosos. Proceda con cuidado al intentar tomar el electrodoméstico por la parte trasera o desde abajo.

### Códigos y normas de seguridad

- Este electrodoméstico cumple con una o más de las siguientes normas:
  - **ANSI Z21.1, Electrodomésticos para cocinar a gas de uso doméstico**
- Es responsabilidad del propietario y del instalador determinar si se aplican otros requisitos y/o normas en instalaciones específicas.
- La instalación debe cumplir con los códigos locales o, en el caso de que no haya códigos locales, con el



# INSTRUCCIONES DE SEGURIDAD IMPORTANTES

LEA Y CONSERVE ESTAS INSTRUCCIONES

Código Nacional de Gas Combustible (National Fuel Gas Code), ANSI Z223.1/NFPA 54.

- El electrodoméstico debe tener una conexión eléctrica a tierra de conformidad con los códigos locales o, en el caso de que no haya códigos locales, con el Código Nacional Eléctrico (National Electrical Code), ANSI/NFPA 70, última edición. (En Canadá, la instalación debe realizarse de conformidad con la norma CAN 1-B149.1 y .2 - Códigos de Instalación para Electrodomésticos de Combustión a Gas y/o los códigos locales).

---

## ADVERTENCIA

---

### Advertencias de la Propuesta 65 del Estado de California:

Este producto contiene productos químicos que el estado de California sabe causan cáncer, defectos congénitos u otros daños reproductivos.

---

### Seguridad con la electricidad

- Antes de enchufar un cable eléctrico, asegúrese de que todos los controles estén en la posición OFF (Apagado).
- Para los electrodomésticos equipados con cable y enchufe, no corte ni retire la espiga de conexión a tierra. Debe enchufarse en un receptáculo de conexión a tierra compatible para evitar la descarga eléctrica. Si tiene alguna duda respecto de si el receptáculo de pared está correctamente conectado a tierra, el cliente debe solicitar la verificación de un electricista calificado.
- Este electrodoméstico debe instalarse de conformidad con el Código Nacional Eléctrico o el Código Eléctrico Canadiense (Canadian Electrical Code). La placa debe instalarse en un circuito derivado con conexión a tierra, sin interruptor del circuito de fallas de conexión a tierra (Ground Fault Circuit Interrupter, GFCI).
- Instalador: muestre al propietario la ubicación del disyuntor o del fusible. Márquela para identificarla más fácilmente.
- Importante: conserve estas instrucciones para uso del inspector de electricidad local.
- Antes de realizar la instalación, apague la alimentación eléctrica en el panel de servicio. Trabe el panel de servicio para impedir que se encienda accidentalmente la alimentación eléctrica.
- Asegúrese de que el electrodoméstico sea correctamente instalado y conectado a tierra por un técnico calificado. La instalación, las conexiones eléctricas y la conexión a tierra deben cumplir con todos los códigos correspondientes.

# Conversión a gas LP de placa a gas NGM

## Instrucciones de conversión

KIT DE CONVERSIÓN DE PLACA DE BOSCH PARA MODELOS TRADICIONALES DE GAS NATURAL (NG) A GAS PROPANO LÍQUIDO (LP)

NEZ1054

Este kit se utiliza para convertir solo placas NGM con hornillas selladas de la operación con gas natural a la operación con gas propano. Este kit no puede utilizarse para convertir otros modelos de Bosch de placas con hornillas selladas, estufas ni ninguna otra marca de placas.

### ADVERTENCIA

Este kit de conversión será instalado por una agencia de servicio técnico calificada, de acuerdo con las instrucciones del fabricante y con todos los códigos y requisitos aplicables de la autoridad que tenga jurisdicción. Si la información que se encuentra en estas instrucciones no se cumple con exactitud, es posible que se produzca un incendio, una explosión o emisión de monóxido de carbono, lo que provocaría daños materiales, lesiones personales o la muerte. La agencia de servicio técnico calificada es responsable de la instalación adecuada de este kit. La instalación no es adecuada y no está completa hasta tanto se verifique el funcionamiento del electrodoméstico convertido, según lo especificado en las instrucciones del fabricante suministradas con el kit.

**IMPORTANTE:** Únicamente un técnico de servicio o instalador calificados deben hacer esta conversión.

**INSTALADOR:** Deje estas instrucciones de instalación con esta unidad para el propietario.

PROPIETARIO: Conserve estas instrucciones para consultarlas en el futuro.

### **Para instalaciones en Massachusetts:**

1. La instalación debe ser realizada por un contratista calificado o con licencia, un plomero o gasista calificado o con licencia otorgada por el estado, la provincia o la región.
2. La válvula de paso debe tener una llave de gas con mango en "T".
3. El conector de gas flexible no debe medir más de 36 pulgadas.

### PRECAUCIÓN

Al conectar la unidad al gas propano, asegúrese de que el tanque de gas propano venga equipado con su propio regulador de presión alta. Además, se suministró un regulador de presión con la placa. Este segundo regulador debe instalarse con la placa. La máxima presión de gas a este electrodoméstico no debe exceder las 14.0 pulgadas de columna de agua del regulador del tanque de gas propano.

Se deben cumplir los siguientes requisitos al probar el sistema de tuberías de suministro:

- a) El electrodoméstico y su válvula de paso individual deben estar desconectados del sistema de tuberías de suministro de gas en pruebas de presión superiores a 1/2 psig (3.5 kPa).
- b) El electrodoméstico se debe aislar del sistema de tuberías de suministro de gas cerrando la válvula de paso manual individual durante cualquier prueba de presión del sistema de tuberías de suministro de gas con presiones de prueba iguales o menores que 1/2 psig (3.5 kPa).

# Preparación

## Contenido del kit de instalación

Componente	Cantidad
Instrucciones del kit de conversión	1
Adhesivo de conversión	1
Cinta de espuma	1
Orificio 95	3
Orificio 66	2
Orificio 44	1

### Nota:

En función del modelo, es posible que el kit contenga más componentes de los que sean necesarios para completar su conversión.

## Herramientas requeridas



## Orificios principales

NGM5055UC		BTU/h
122	Delantero derecho	15,000
95	Delantero izquierdo	9,100
95	Trasero izquierdo	9,100
66	Trasero derecho	5,000

NGM8055, 8065UC		
122	Central	15,000
66	Delantero derecho	5,000
95	Delantero izquierdo	9,100
66	Trasero izquierdo	5,000
95	Trasero derecho	9,100

NGMP055UC		
109	Central grande	15,000
44	Central pequeño	5,000
66	Delantero derecho	5,000
95	Delantero izquierdo	9,100
66	Trasero izquierdo	5,000
95	Trasero derecho	9,100

NGMP655UC		
109	Central grande	15,000
44	Central pequeño	5,000
95	Delantero derecho	9,100
95	Delantero izquierdo	9,100
95	Trasero izquierdo	9,100
66	Trasero derecho	5,000

NGM5655, 8655, 8665UC		
122	Central	15,000
95	Delantero derecho	9,100
95	Delantero izquierdo	9,100
95	Trasero izquierdo	9,100
66	Trasero derecho	5,000

# Procedimiento de instalación

Este proceso de conversión ajusta el flujo de gas que llega a las hornillas para ajustarse a una fuente de combustible de gas LP.

## ⚠ PRECAUCIÓN

APAGUE EL GAS Y LA ELECTRICIDAD.

Si la placa se instala en la superficie de trabajo:

- 1) Cierre la válvula de gas de la línea de suministro de gas a la placa.
- 2) Retire el cable de alimentación de la placa de la toma de corriente eléctrica o apague el disyuntor en la caja de disyuntores.
- 3) Lleve todas las perillas de control a la posición "Off" (Apagado).

## Lista de verificación

**Cada uno de los siguientes pasos se debe completar correctamente para que el electrodoméstico funcione en forma adecuada.**

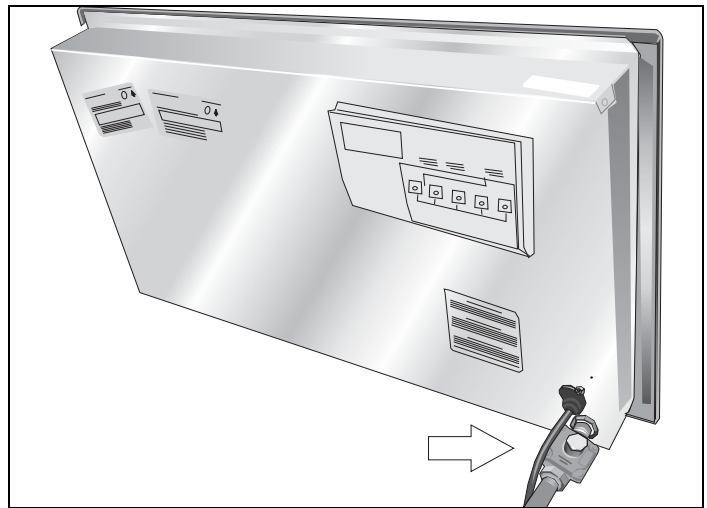
Marque cada paso a medida que se termine.

- \_\_\_ Paso 1: Convierta el regulador de presión para utilizar gas LP.
- \_\_\_ Paso 2: Retire los orificios de gas natural (natural gas, NG) y reemplácelos con los orificios de gas propano líquido (liquid propane, LP) suministrados con este kit.
- \_\_\_ Paso 3: Vuelva a colocar las tapas de los quemadores y las parrillas.
- \_\_\_ Paso 4: Ajuste las válvulas de la unidad a las programaciones de LP.

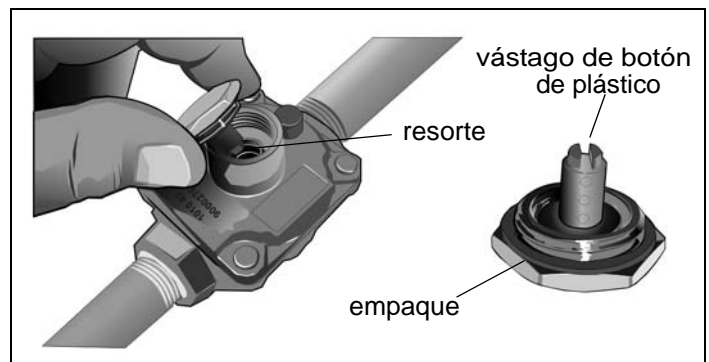
## Paso 1: Convierta el regulador de presión

Ubique el regulador de presión en el extremo inferior derecho de la placa.

**Nota:** La flecha en la parte trasera del regulador debe apuntar en la dirección del flujo de gas a la placa.



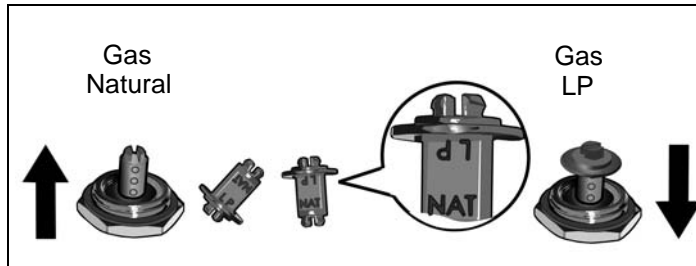
Retire la tapa de forma hexagonal del regulador asegurándose de no remover el empaque de la tapa ni el resorte dentro del regulador.



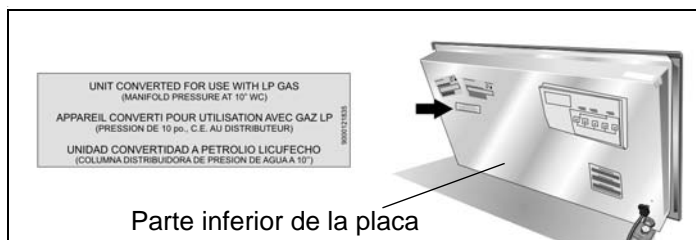
Tome el vástago de botón de plástico (vástago) firmemente y jálelo con fuerza de la tapa de metal. El vástago calza bien a presión en una hendidura en la tapa y es posible que se requiera jalar fuerte para retirarlo. Sugerencia: puede ser útil suavemente "roca" del vástago de plástico mientras tira de la tapa de metal.



Después de retirar el vástago de la tapa, rótelo 180° de modo que el extremo del botón del vástago esté lejos de la tapa y las letras "LP" en el vástago se encuentren al revés cuando la tapa se coloque en forma plana en su cabeza. Calce a presión el vástago de nuevo en su lugar en esta posición insertándolo en la hendidura de la tapa de metal. El vástago debería calzar a presión en su lugar.



**Importante:** Pegue el adhesivo metálico (que se incluye en este kit de conversión) en la parte inferior del electrodoméstico, según se muestra, colocándolo cerca de la placa de datos del electrodoméstico (muestra el número del modelo e información sobre el electrodoméstico). Este adhesivo notifica que el electrodoméstico ha sido convertido para el uso con gas LP.



## Paso 2: Reemplace los orificios

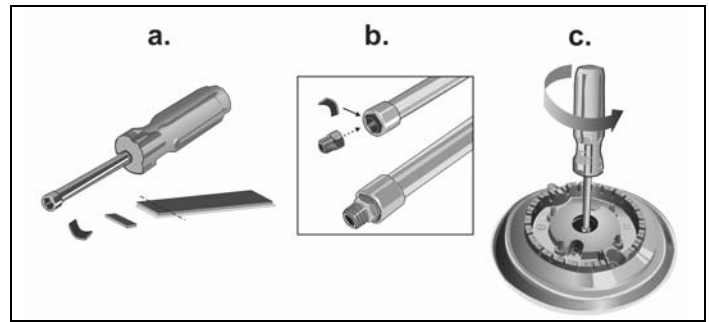
1. Retire las tapas de las rejillas y de las hornillas.  
Nota: No retire el encendedor de la unidad.
2. Retire los orificios.

**Nota:** Los orificios requieren un destornillador llave de 7 mm para ser retirados/reemplazados. El destornillador deberá insertarse aproximadamente 2 1/2 pulg. (64 mm) en la cavidad de la hornilla para llegar al orificio.

*Consejo:* Para reducir la probabilidad de caída de los orificios del destornillador llave, agregue un pedazo de cinta de espuma o cinta adhesiva dentro de la llave.

- a) Corte un pequeño pedazo de la cinta de espuma que se proporciona en este kit (alrededor de 1/4 pulg. x 1/2 pulg.; 6 mm x 12 mm).
- b) Ajuste esto de modo que la cinta se envuelva en un lado de la llave, a fin de que permanezca en su lugar.

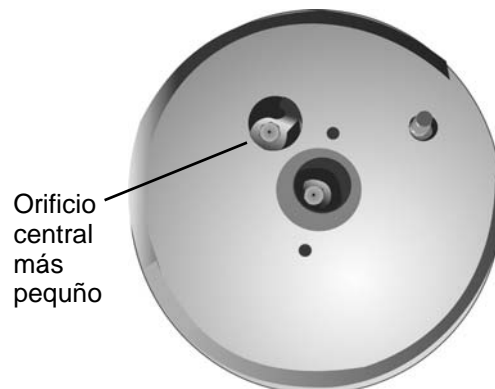
- c) Al presionar el destornillador llave en el orificio, la cinta se ajustará al orificio y ayudará a evitar que el orificio se caiga de la llave durante la extracción.



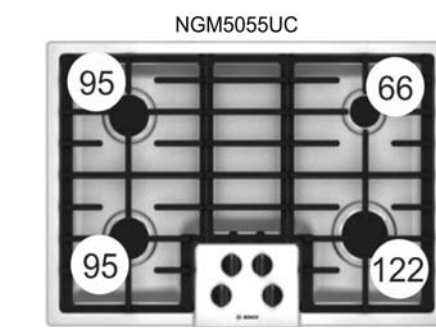
Conservar los orificios de NG en caso de que, en el futuro, haya necesidad de restablecer nuevamente el electrodoméstico al uso de gas natural.

4. Identifique la colocación correcta de los orificios de gas LP, según se detalla en la tarjeta del paquete de orificios.

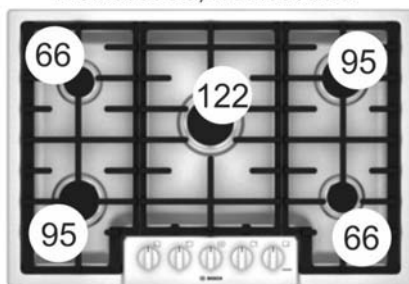
Nota: Los modelos NGMP055UC y NGMP655UC tienen un orificio oculto adicional debajo de la tapa de la unidad central. Es necesario retirar la placa de la cubierta para cambiar el orificio central (más pequeño) oculto.



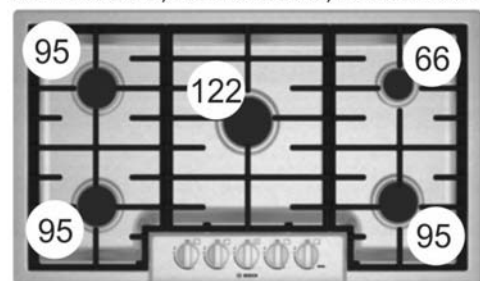
Los tamaños de los orificios se muestran en los círculos blancos que corresponden a cada hornilla, según se muestra en la imagen que se encuentra a continuación. Estos números se graban en la parte superior de cada orificio. Es muy importante instalar el tamaño de orificio correcto para cada hornilla.



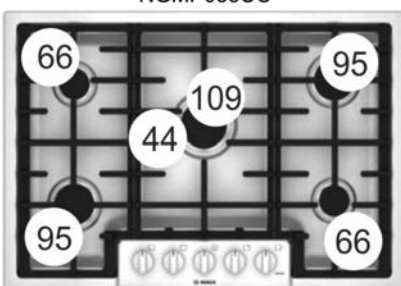
NGM8055UC, NGM8065UC



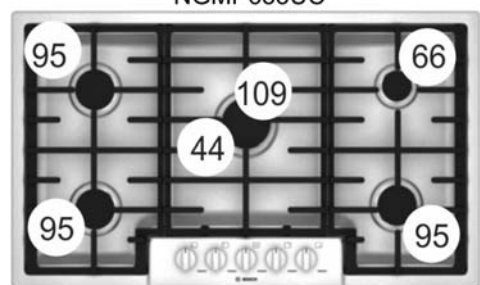
NGM5655UC, NGM8655UC, NGM8665UC



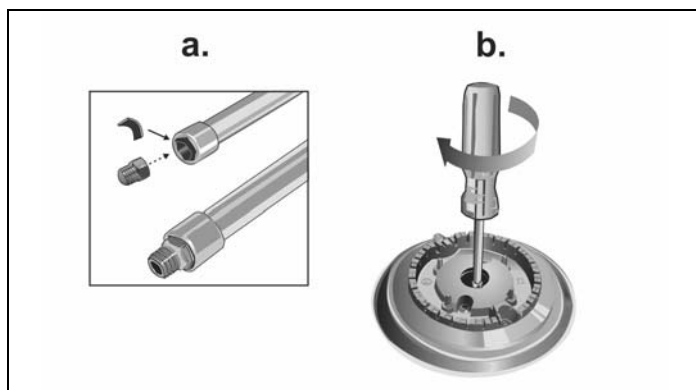
NGMP055UC



NGMP655UC



5. Inserte cada uno de los orificios de gas LP que se proporcionan en este kit en la llave (utilizando el pequeño pedazo de cinta de espuma para garantizar un ajuste apretado).
  - a) Asegúrese de que el pequeño pedazo de cinta de espuma utilizado anteriormente esté ajustado para que se envuelva en un lado de la llave.
  - b) Al presionar el destornillador llave en el orificio, la cinta ayudará a que el orificio se ajuste mejor dentro de la llave. Esto ayudará a evitar que el orificio se salga de la llave durante la inserción.



Esto ayudará a evitar que el orificio se salga de la llave durante la inserción.

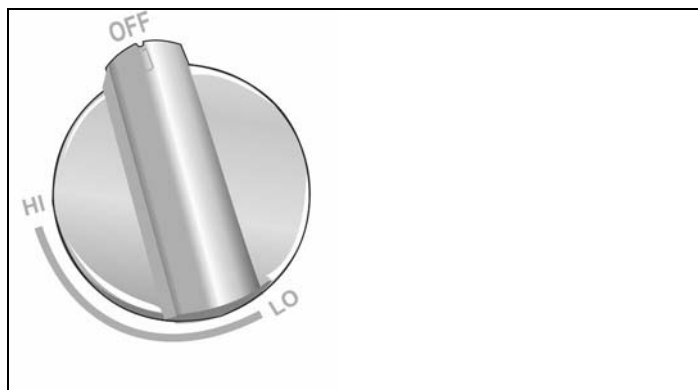
### Paso 3 - Vuelva a colocar las tapas de los quemadores y las parrillas.

Vuelva a colocar las parrillas y las tapas de los quemadores. Asegúrese de que las rejillas se colocan correctamente y que las patas de goma en las rejillas se acoplan con las muescas en la superficie de cocción para la posición correcta.

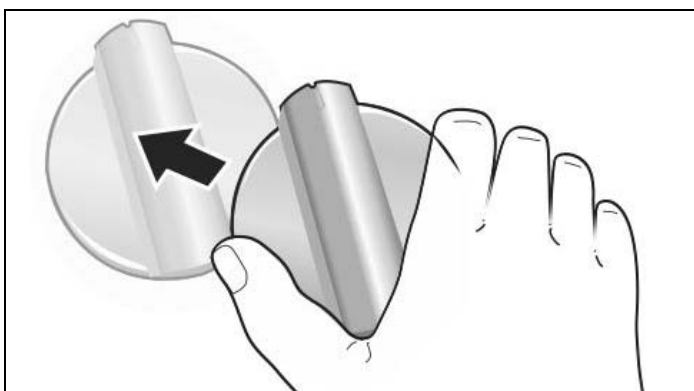
### Paso 4: Convierta las válvulas para la utilización de gas LP

Se debe ajustar la salida del regulador de cada válvula. Es posible que su placa venga con ejes de las válvulas huecos o sólidos. En forma acorde, determine la ubicación del tornillo regulador.

1. Coloque todas las perillas en la posición "Off" (Apagado).

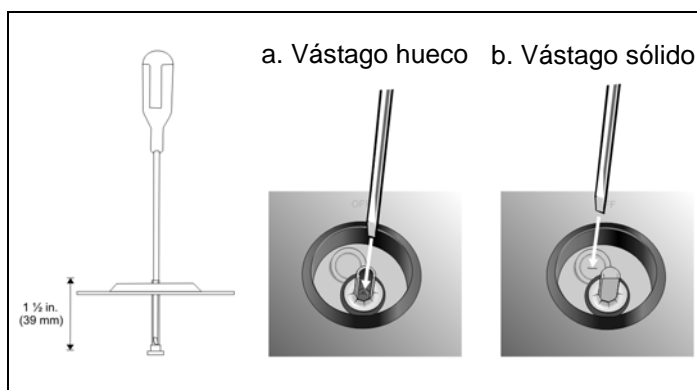


2. Retire las perillas.



Su electrodoméstico tendrá: a) válvulas de vástago hueco o b) válvulas de vástago sólido. La ubicación del tornillo de ajuste se determina por el tipo de válvula que tenga su electrodoméstico.

3. Ubique la punta de inserción correcta para el destornillador de hoja plana largo y delgado, a fin de ajustar la salida del regulador (consulte la siguiente ilustración).



- a) Válvula de vástago hueco: inserte un destornillador de hoja plana largo y delgado en el vástago hueco de la válvula. El tornillo de ajuste se encuentra aproximadamente a 1 1/2 pulg. (39 mm) de la parte superior del vástago. El destornillador se desliza a través de una barrera de hule delgada en el vástago (ayuda a evitar daños en caso de un derrame en la superficie de la unidad).
  - b) Válvula de vástago sólido: inserte un destornillador de hoja plana largo y delgado a través del sello en el área mostrada.
3. Enganche la punta del destornillador en el tornillo de ajuste girando lentamente el destornillador y percibiendo que la hoja enganche el tornillo. Luego, gire el tornillo hacia la derecha alrededor de 70 grados (menos de 1/4 de giro) hasta que "llegue a su tope" (no se pueda girar más). No se necesita mucha presión para que el tornillo gire. Deténgase cuando el tornillo deje de girar con facilidad. Repita el procedimiento para cada válvula hasta que todas se hayan ajustado correctamente.

4. Reemplace las perillas.

## Pruebe la instalación

### Realice pruebas para detectar fugas de gas

#### ⚠ ADVERTENCIA

NUNCA REALICE PRUEBAS PARA DETECTAR FUGAS DE GAS UTILIZANDO UNA LLAMA.

Si se detecta alguna fuga, no continúe con los siguientes pasos hasta tanto se hayan eliminado todas las fugas.

Las pruebas para detectar fugas deben ser llevadas a cabo por el instalador, de acuerdo con las instrucciones que se proporcionan en esta sección.

Encienda el gas. Coloque un líquido de detección de fugas no corrosivo en todas las juntas y los accesorios de la conexión de gas entre la válvula de paso y la placa. Incluya los accesorios y las juntas de gas en la placa si existe la posibilidad de que se hayan movido las conexiones durante la instalación. La presencia de burbujas alrededor de los accesorios y las conexiones indican una fuga. También se puede utilizar un detector de fugas de gas electrónico.

Si aparece una fuga, apague la válvula de paso de gas de la línea de suministro y ajuste las conexiones que tienen fugas. Vuelva a realizar pruebas para detectar fugas abriendo la válvula de paso de gas de la línea de suministro. Cuando haya finalizado de verificar que no haya fugas (no aparecen burbujas), la prueba está completa. Limpie todos los restos de líquido de detección.

### Verifique la presión de admisión de gas

Durante cualquier prueba de presión del sistema de tuberías de suministro de gas realizada con presiones de prueba superiores a 14 pulg. de presión de columna de agua (aproximadamente 1/2 pulg. psig, 3.5 kPA), es necesario desconectar la placa y su válvula de paso individual del sistema de tuberías de suministro de gas.

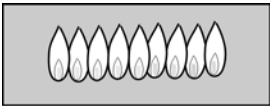
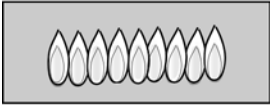
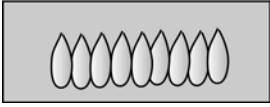
Si es necesario verificar la presión de admisión de gas, conecte un manómetro (indicador del nivel del agua) u otro dispositivo aprobado para la lectura de la presión de gas al orificio trasero derecho de la hornilla de la parte superior. Utilizando una manguera de hule con un diámetro interior de aproximadamente 1/4 pulg., mantenga la tubería

en forma ajustada sobre el orificio. Encienda la válvula de la hornilla.

## Verificación final

Después de completar la conversión, coloque todas las tapas de tamaño correcto de las hornillas en su posición sentada y muescada, y verifique el funcionamiento de los encendedores eléctricos. Verifique las características de la llama. La llama debe ser azul y tener una mínima punta amarilla en el cono exterior de las llamas.

### Verifique las características de la llama

<b>Llamas amarillas:</b> Se requiere ajuste adicional.	
<b>Puntas amarillas en conos externos:</b> Normal para gas LP.	
<b>Llamas azul claro:</b> Normal para gas natural.	

**Nota:** Si la llama es amarilla en su mayor parte, verifique que el regulador esté programado para el combustible correcto. Si se necesita un ajuste, vuelva a realizar pruebas en el sistema.

La presencia de algunas vetas amarillas en la llama es normal durante el encendido inicial. Permita que la unidad opere de 4 a 5 minutos y, luego, vuelva a realizar una evaluación antes de llevar a cabo más ajustes.

# Servicio técnico

## Antes de llamar al servicio técnico

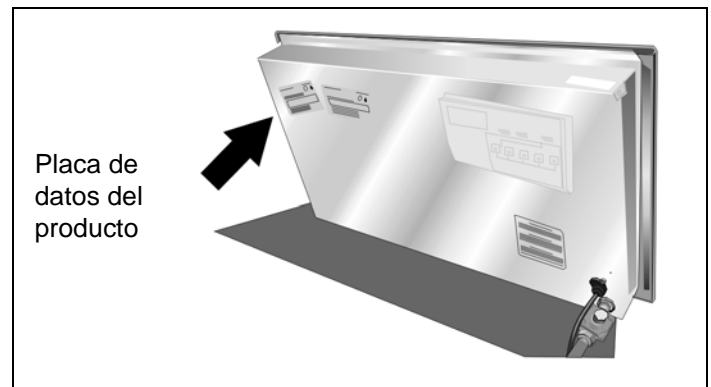
Para obtener información sobre resolución de problemas, consulte el Manual de uso y cuidado de su electrodoméstico. Consulte la sección Garantía en el Manual de uso y cuidado para obtener información relacionada con la garantía.

Para consultar a un representante de servicio técnico, remítase a la información de contacto que aparece en el frente del manual. Al llamar, esté preparado para proporcionar la información impresa en la placa de datos de su producto (modelo, número de serie [FD], etc.).

### Placa de datos del producto

La placa de datos muestra el modelo y el número de serie. Al solicitar servicio técnico, consulte la placa de datos del electrodoméstico. La placa de datos está ubicada en la parte inferior de la caja empotrada, debajo de la parte visible de la placa instalada.

Esta información de la placa de datos también se proporciona en un adhesivo pegado en la tarjeta de registro del producto que se envía con su electrodoméstico.



Conserve su factura de compra y cualquier otro documento relacionado para la validación de la garantía, en caso de que se necesite servicio técnico.









**BOSCH**

Invented for life