

# Microwave

## Installation Manual

### 300 SERIES

HMV3052U HMV3062U HMV3022U



**BOSCH**

Invented for life



# Table of Contents

<b>Safety Definitions</b> .....	<b>2</b>	<b>Install Appliance</b> .....	<b>8</b>
<b>IMPORTANT SAFETY INSTRUCTIONS</b> .....	<b>3</b>	Removing the mounting plate .....	8
Appliance Handling Safety .....	3	Finding the wall studs .....	8
Safety Codes and Standards .....	3	Possible wall stud configurations .....	8
State of California Proposition 65 Warnings .....	3	Attaching the mounting plate to the wall .....	9
Electric Safety .....	3	Adapting microwave blower .....	10
Microwave Safety .....	3	Preparing cabinet .....	12
Related Equipment Safety .....	4	Mounting the microwave oven .....	13
<b>Checklist for Installation</b> .....	<b>5</b>	Hood exhaust .....	14
<b>Before You Begin</b> .....	<b>5</b>	<b>Testing Operation</b> .....	<b>15</b>
Removing Packaging .....	5	<b>Bosch® Support</b> .....	<b>16</b>
Tools and Parts Needed .....	5	Before Calling Service .....	16
Parts Included .....	6	Data Plate .....	16
Location requirements .....	6	Service .....	16
Power Requirements .....	7	Parts and Accessories .....	16
<b>Electrical Installation</b> .....	<b>7</b>		

Questions?  
1-800-944-2904  
www.bosch-home.com  
1901 Main Street, Suite 600  
Irvine, CA 92614  
We look forward to hearing from you!

# Safety Definitions

---

**▲ WARNING**

This indicates that death or serious injuries may occur as a result of non-observance of this warning.

---

---

**▲ CAUTION**

This indicates that minor or moderate injuries may occur as a result of non-observance of this warning.

---

**NOTICE:** This indicates that damage to the appliance or property may occur as a result of non-compliance with this advisory.

**Note:** This alerts you to important information and/or tips.

# **IMPORTANT SAFETY INSTRUCTIONS**

## READ AND SAVE THESE INSTRUCTIONS

INSTALLER: LEAVE THESE INSTRUCTIONS WITH THE APPLIANCE AFTER INSTALLATION IS COMPLETE.

IMPORTANT: SAVE THESE INSTRUCTIONS FOR THE LOCAL ELECTRICAL INSPECTOR'S USE.

---

### **WARNING**

If the information in this manual is not followed exactly, fire or shock may result causing property damage or personal injury.

---

### **WARNING**

Do not repair, replace or remove any part of the appliance unless specifically recommended in the manuals. Improper installation, service or maintenance can cause injury or property damage. Refer to this manual for guidance. All other servicing should be done by a qualified technician.

## **Appliance Handling Safety**

Unit is heavy and requires at least two people or proper equipment to move.

Do not lift appliance by door handle.

Hidden surfaces may have sharp edges. Use caution when reaching behind or under appliance.

## **Safety Codes and Standards**

This appliance complies with the latest version of one or more of the following standards:

- CAN/CSA C22.2 No. 61 - Household Cooking Ranges
- UL 858 - Household Electric Ranges
- CAN/CSA C22.2 No. 150 - Microwave Ovens
- UL 923 - Microwave Cooking Appliances
- UL 507 - Electric Fans
- CAN/CSA C22.2 No. 113 - Fans and Ventilators
- CSA C22.2 No. 64 - Household Cooking and Liquid-Heating Appliances
- UL 1026 - Electric Household Cooking and Food Serving Appliances

It is the responsibility of the owner and the installer to determine if additional requirements and/or standards apply to specific installations.

## **State of California Proposition 65 Warnings**

---

### **WARNING**

This product contains chemicals known to the State of California to cause cancer, birth defects or other reproductive harm.

## **Electric Safety**

---

### **WARNING**

Before you plug in an electrical cord or turn on power supply, make sure all controls are in the OFF position.

For appliances equipped with a cord and plug, do not cut or remove the ground prong. It must be plugged into a matching grounding type receptacle to avoid electrical shock. If there is any doubt as to whether the wall receptacle is properly grounded, the customer should have it checked by a qualified electrician.

If required by the National Electrical Code (or Canadian Electrical Code), this appliance must be installed on a separate branch circuit.

Installer – show the owner the location of the circuit breaker or fuse. Mark it for easy reference.

Before installing, turn power OFF at the service panel. Lock service panel to prevent power from being turned ON accidentally.

Be sure your appliance is properly installed and grounded by a qualified technician. Installation, electrical connections and grounding must comply with all applicable codes.

## **Microwave Safety**

PRECAUTIONS TO BE OBSERVED BEFORE AND DURING SERVICING TO AVOID POSSIBLE EXPOSURE TO EXCESSIVE MICROWAVE ENERGY

- Do not operate or allow the oven to be operated with the door open.
- Make the following safety checks on all ovens to be serviced before activating the magnetron or other microwave source, and make repairs as necessary:
  1. Interlock operation
  2. Proper door closing
  3. Seal and sealing surfaces (arcing, wear, and other damage)
  4. Damage to or loosening of hinges and latches
  5. Evidence of dropping or abuse
- Before turning on microwave power for any service test or inspection within the microwave generating compartments, check the magnetron, wave guide or transmission line, and cavity for proper alignment, integrity, and connection.
- Any defective or misadjusted components in the interlock, monitor, door seal, and microwave generation and transmission systems shall be repaired, replaced, or adjusted by procedures described in this manual before the oven is released to the owner.
- A microwave leakage check to verify compliance with the Federal Performance Standard should be performed on each oven prior to release to the owner.

# **IMPORTANT SAFETY INSTRUCTIONS**

## READ AND SAVE THESE INSTRUCTIONS

### **GROUNDING INSTRUCTIONS**

This appliance must be grounded. Grounding reduces the risk of electric shock by providing a safe pathway for electric current in the event of a short circuit.

This appliance is equipped with a cord having a grounding wire with a grounding plug. The plug must be plugged into an outlet that is properly installed and grounded.

---

### **WARNING**

Improper grounding can result in a risk of electric shock. Consult a qualified electrician if the grounding instructions are not completely understood, or if doubt exists as to whether the appliance is properly grounded. Do not use an extension cord. If the power supply cord is too short, have a qualified electrician install an outlet near the appliance.

---

### **Related Equipment Safety**

Remove all tape and packaging before using the appliance. Destroy the packaging after unpacking the appliance. Never allow children to play with packaging material.

Never modify or alter the construction of the appliance. For example, do not remove leveling legs, panels, wire covers or anti-tip brackets/screws.

---

### **WARNING**

To reduce the risk of fire, use only metal ductwork.

---

---

### **CAUTION**

For general ventilating use only. Do not use to exhaust hazardous or explosive materials and vapors.

---

# Checklist for Installation

Use this checklist to verify that you have completed each step of the installation process. This can help you avoid common mistakes.

Refer to detailed instructions for each step in the sections following this checklist.

1. Before installing the appliance, be sure to verify the cabinet dimensions are correct for your appliance and that the required electrical connections are present. Make sure the electrical cord provided on the appliance is able to reach to the point of connection.  
*Sections: Location requirements, Electrical installation*
2. Move the appliance into place in front of the cabinet opening.  
*Section: Removing Packaging*
3. Remove packaging materials, leaving the bottom packaging on the appliance to avoid damage to the floor.  
*Section: Removing Packaging*
4. Remove the mounting plate from the rear of the appliance.  
*Section: Install Appliance - Removing the mounting plate*
5. Find wall studs.  
*Section: Install Appliance - Finding the wall studs*

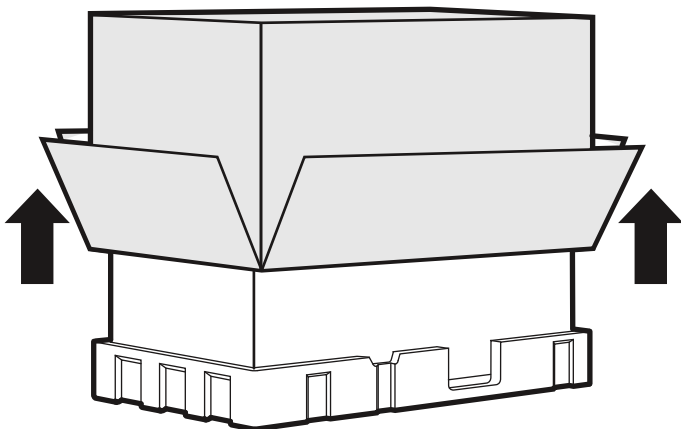
6. Attach the mounting plate to the wall.  
*Section: Install Appliance - Attaching the mounting plate to the wall*
7. Adapt the microwave blower.  
*Section: Install Appliance - Adapting the microwave blower*
8. Prepare the cabinet for mounting.  
*Section: Install Appliance - Preparing cabinet*
9. At least two persons are needed to lift the appliance; tilt and hook the appliance to the holding plate.  
*Section: Install Appliance - Mounting the microwave oven*
10. Push the appliance all the way into place and fasten the holding screws through top cabinet holes.  
*Section: Install Appliance - Mounting the microwave oven*
11. Use correct hood exhaust.  
*Section: Install Appliance - Hood exhaust*
12. Test the microwave oven for proper functioning.  
*Section: Testing operation*

Always read and follow the complete installation instructions contained in this manual.

## Before You Begin

### Removing Packaging

1. Remove filter, accessories and hardware. Do not remove the Styrofoam protecting the front of the oven.
2. Fold back all four carton flaps fully against carton sides. Then carefully roll the oven and carton over onto the top side. The oven should be resting in the Styrofoam.
3. Pull the carton up and off the oven.



4. Cut the middle of the outer protective plastic bag to remove the mounting plate.

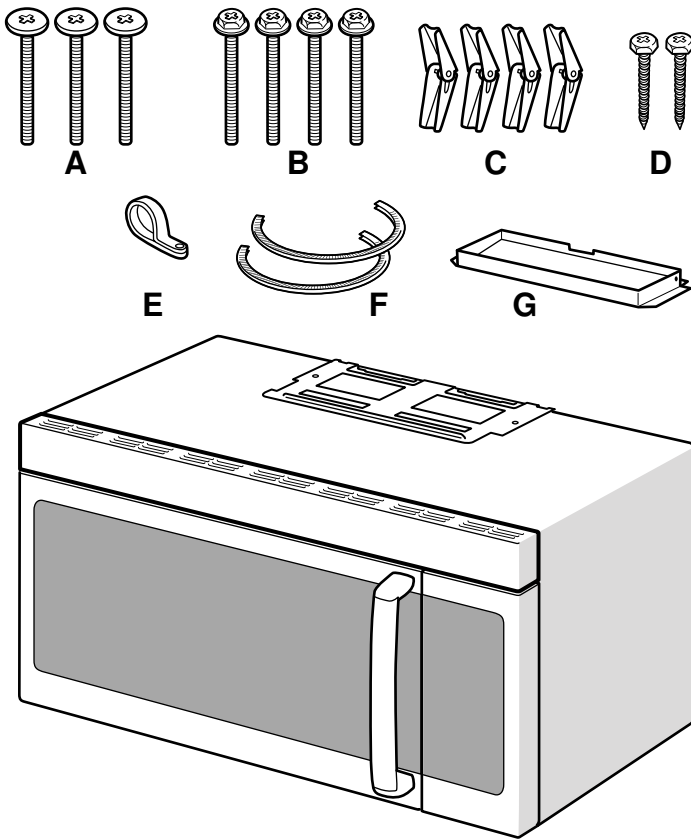
### Tools and Parts Needed

- Philips head screwdriver
- Pencil
- Ruler or tape measure and straight edge
- Drill
- Drill bits: 3/16", 1/2", 5/8"
- Gloves
- Saw (saber, hole or keyhole)
- Stud finder or hammer
- Safety goggles
- Level
- Duct and masking tape

### Optional tools

- Carpenter square
- Tin snips (to cut damper and to remove knockouts)
- Scissors (to cut cabinet template)
- Filler blocks or scrap wood pieces (for recessed bottom cabinet installations)

## Parts Included



You will find the installation hardware contained in packet with the unit. Check to make sure you have all these parts:

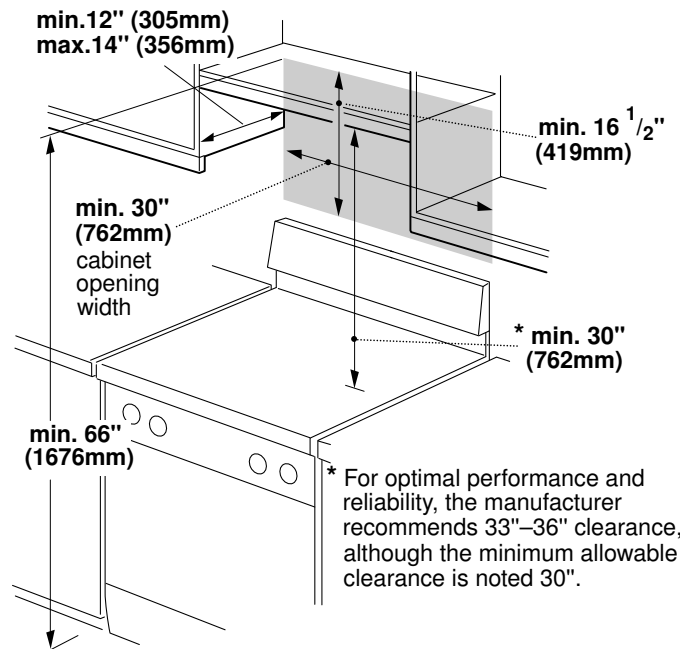
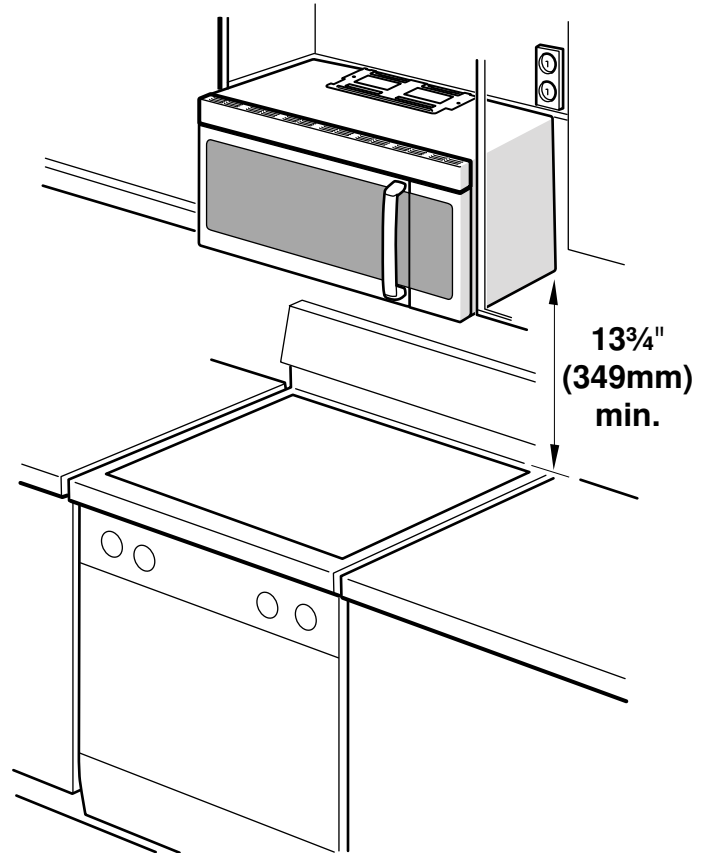
- A Top mounting bolts:  
Self-aligning machine screws 1/4"-28x3 1/4"
- B Toggle bolts - 3/16"x3"
- C Wall mounting hardware:  
Toggle wings
- D Wood screws 1/4"x2"
- E Power chord strap
- F Nylon grommet (for metal cabinets)
- G Exhaust adaptor

Not shown:

- Top cabinet template
- Mounting plate (attached to the back of the microwave oven)
- Aluminum grease filters
- Charcoal filter (factory-fitted in the microwave oven)

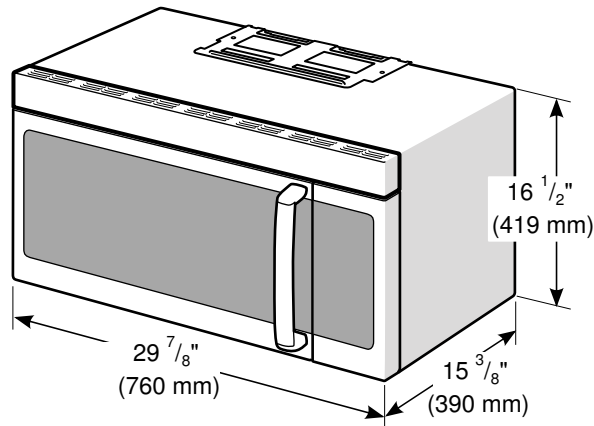
## Location requirements

### Installation dimensions





## Appliance dimensions



## Power Requirements

The outlet must be properly grounded in accordance with all applicable codes.

It can be installed inside the cabinet above the appliance.

---

## Electrical Installation

Electrical Requirements:

- a three prong grounded outlet
- 120 V, 60 Hz, AC only
- 20 Amp electrical supply with a fuse or a circuit breaker

This product must be connected to a supply circuit of the proper voltage and frequency. Wire size must conform to the requirements of the National Electric Code or the prevailing local code for this rating. The power supply cord and plug should be brought to a separate 20-amp branch circuit single grounded outlet. The outlet box should be located inside the cabinet above the appliance (see section *Location Requirements*). The outlet box and supply circuit should be installed by a qualified electrician and conform to the National Electrical Code or the prevailing local code.

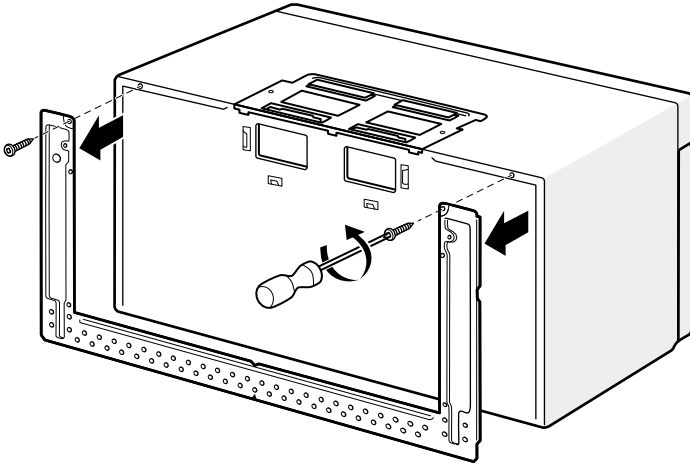
The voltage used must be the same as specified on this microwave oven. Using a higher voltage is dangerous and may result in a fire or oven damage. Using a lower voltage will cause slow cooking. The dealer is not responsible for any damages resulting from the use of the oven with any voltage other than specified.

# Install Appliance

## Removing the mounting plate

**Note:** To avoid possible damage to the work surface or to the bottom of the appliance, cover the work surface.

1. Remove any remaining contents from the microwave oven cavity.
2. Remove the screws from the mounting plate.



The mounting plate will be used as the rear wall template and for mounting.

3. Reinstall the screws into the holes where they were removed.

**Note:** To avoid damage to the microwave oven, do not grip or use the door or door handle while the microwave oven is being handled.

## Finding the wall studs

**Note:** The microwave must be connected to at least one wall stud. If no wall studs exist within the cabinet opening, do not install the microwave oven.

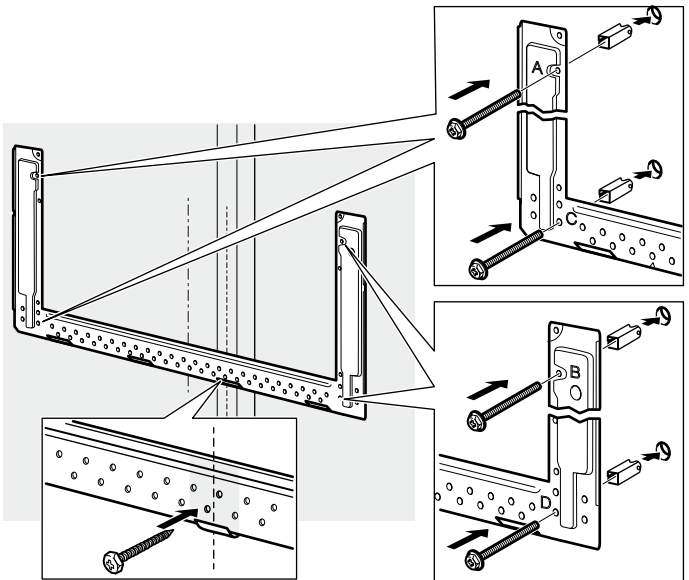
1. Locate the edges of the wall studs within the cabinet opening by using:
  - a stud finder or
  - a hammer (tapping lightly across the mounting surface to find a solid sound).
2. Place a mark halfway between the edges and draw a line down the center of the studs (See possible wall studs configuration).

## Possible wall stud configurations

These depictions show examples of preferred installation configurations with the mounting plate.

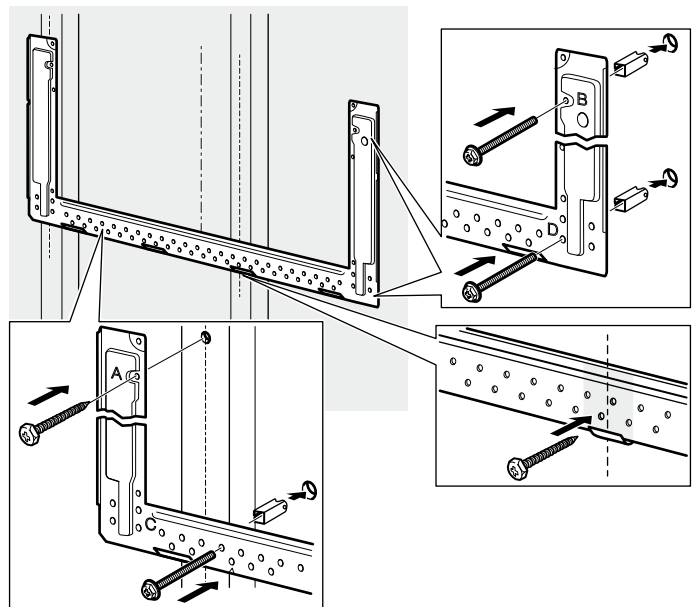
**Note:** Care must be taken when drilling holes. Electrical wires may be concealed behind the wall covering and contact with them could result in electrical shock.

### No wall studs at corner holes



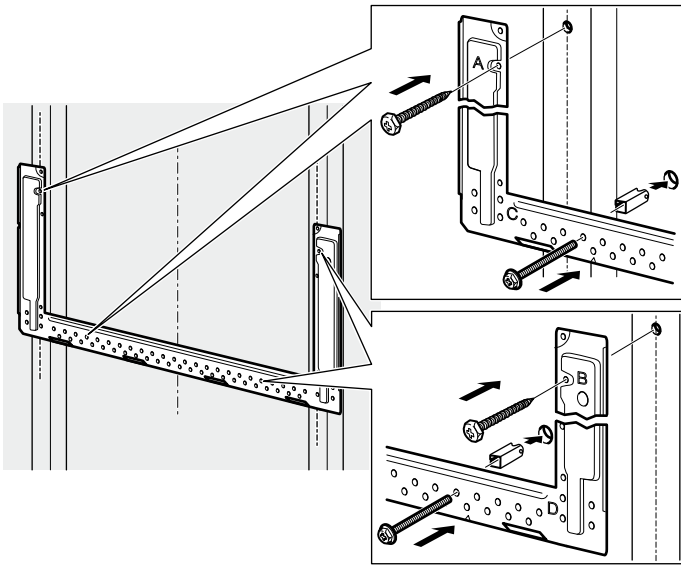
If wall stud is within 6¼" (159 mm) of the vertical centerline, only Room Venting (recirculation) or Roof Venting installations can be done.

### Wall stud at one corner hole





## Wall studs at both corner holes



## Attaching the mounting plate to the wall

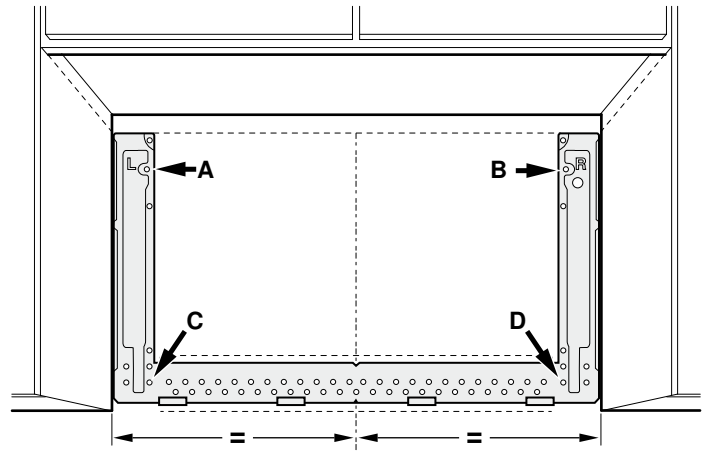
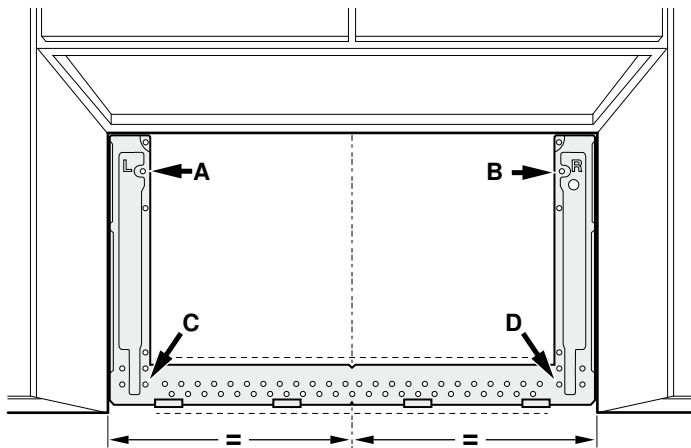
### Aligning the mounting plate

#### ⚠ CAUTION

Wear gloves to avoid cutting fingers on sharp edges.

**Note:** Make sure the cabinet bottom is level.

1. Draw a vertical line on the wall at the center of the cabinet space.
2. Use the mounting plate as a template and place it on the wall, making sure that the tabs are touching the bottom of the cabinet or the level line.



3. Line up the notch and centerline of the mounting plate to the centerline on the wall.
4. While holding the mounting plate, draw circles on the wall at holes A, B, C and D.

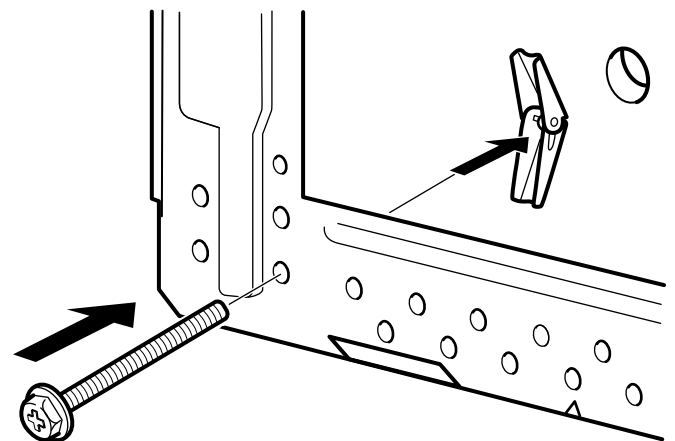
**Note:** If neither A, B, C nor D is in a stud, find a stud somewhere in the bottom area of the mounting plate and draw a fifth circle to line up with the stud.

It is important to use at least one wood screw mounted firmly in a stud to support the weight of the microwave.

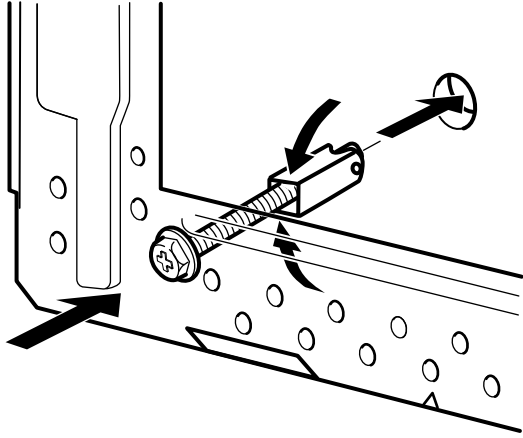
5. Set the mounting plate aside.
6. Drill holes on the circles:
  - 3/16" (5 mm) holes for wood screws (stud)
  - 5/8" (16 mm) holes for toggle bolts (no stud)

### Attaching the mounting plate (no wall studs at corner holes)

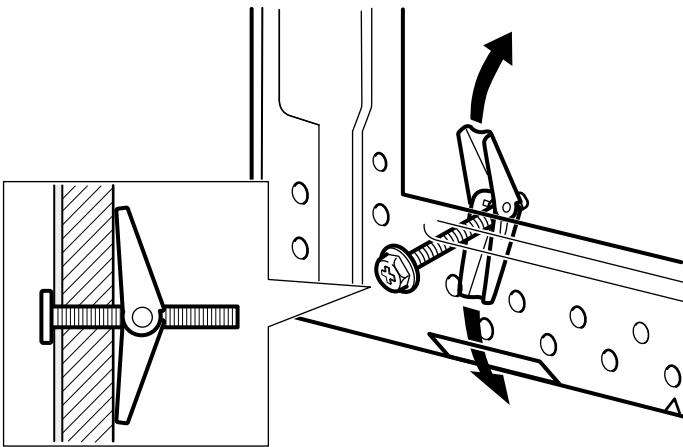
1. Insert the bolts into the mounting plate through the holes designated.



2. Attach toggle wings from the back of the mounting plate onto each bolt. Leave enough space for toggle wings to go through the wall and to open.



3. Place the mounting plate against the wall and make sure tabs are touching the bottom of the cabinet or the level line (see "Aligning the mounting plate").
4. Push the bolts through the drywall and finger tighten the bolts to make sure toggle wings have opened against drywall.



5. Confirm that the plate is properly centered and level.
6. Securely tighten all screws, including the fifth wood screw in the bottom area of the mounting plate.

### Attaching the mounting plate (wall stud at one corner hole)

1. Insert the bolts and the wood screws into the mounting plate through the holes designated.
2. Attach toggle wings from the back of the mounting plate onto each bolt. Leave enough space for toggle wings to go through the wall and to open.
3. Place the mounting plate against the wall and make sure tabs are touching the bottom of the cabinet or the level line (see "Aligning the mounting plate").
4. Push the bolts through the drywall and finger tighten the bolts to make sure toggle wings have opened against drywall.
5. Confirm that the plate is properly centered and level.
6. Securely tighten all screws and bolts.

### Attaching the mounting plate (wall studs at both corner holes)

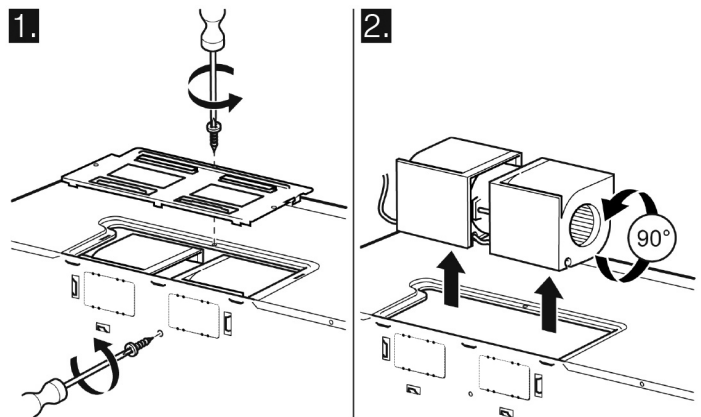
1. Insert the wood screws into the mounting plate through the holes designated.
2. Place the mounting plate against the wall and make sure tabs are touching the bottom of the cabinet or the level line (see "Aligning the mounting plate").
3. Confirm that the plate is properly centered and level.
4. Securely tighten all screws.

### Adapting microwave blower

This microwave is shipped assembled for Room Venting Installation. The blower unit is already in place and must not be adapted.

### Adapting microwave blower for roof venting

1. Remove and save the screws holding the blower motor and the blower plate. Lift up the blower plate and put it aside.
2. Carefully pull out the blower unit and rotate 90° so that fan blade openings are facing out the top of the microwave.

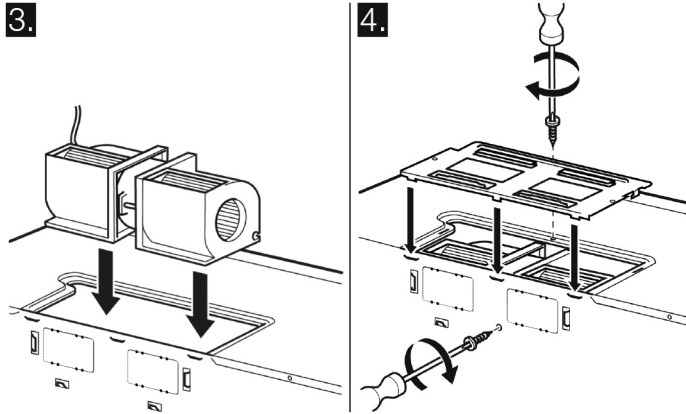


3. Place the blower unit back into the opening.

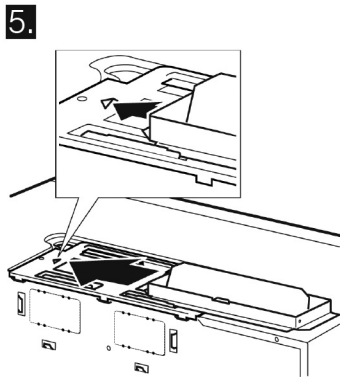
**⚠ CAUTION**

Do not pull or stretch the blower unit wiring. Make sure the wires are not pinched, and that they are properly secured.

4. Replace the blower plate and secure with the screws removed in step 1.

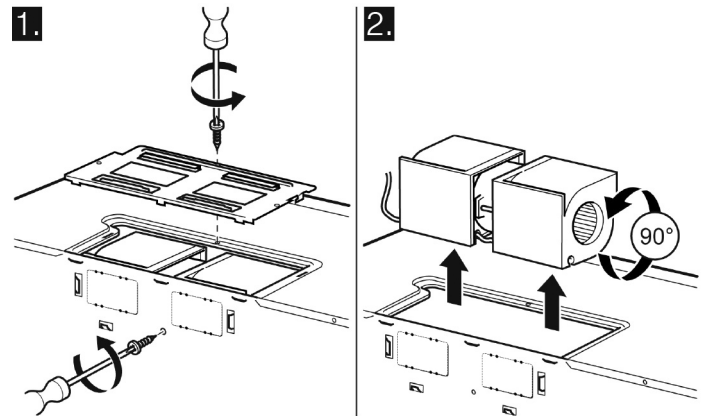


5. Attach the exhaust adapter to the top of the blower plate by sliding it into the guides. Push in securely until it is in the locking tabs. Make sure the damper hinge swings freely.

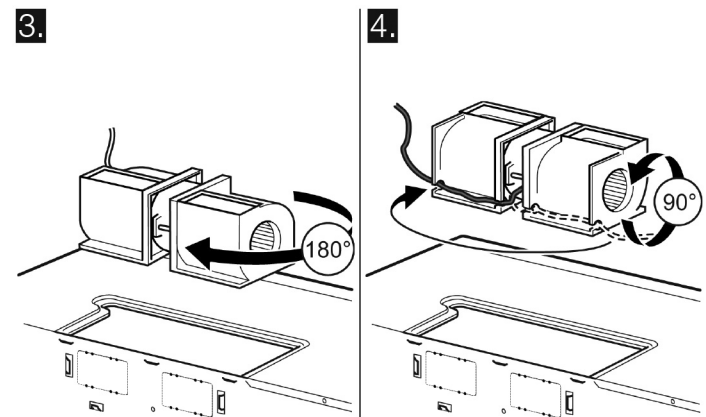


**Adapting microwave blower for wall venting**

1. Remove and save the screws holding the blower motor and the blower plate. Lift up the blower plate and put it aside.
2. Carefully pull out the blower unit and rotate 90° so that fan blade openings are facing out the top of the microwave.



3. Rotate the blower unit counterclockwise 180°.
4. Gently remove the wires from the grooves. Reroute the wires through the grooves on other side of the blower unit. Rotate blower unit 90° so that fan blade openings are facing out the back of the microwave.

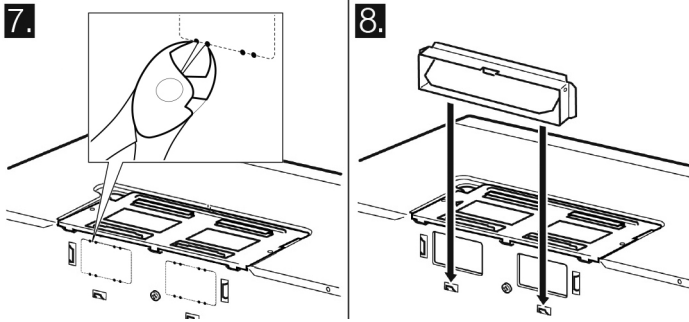


**⚠ CAUTION**

Do not pull or stretch the blower unit wiring. Make sure the wires are not pinched, and that they are properly secured.

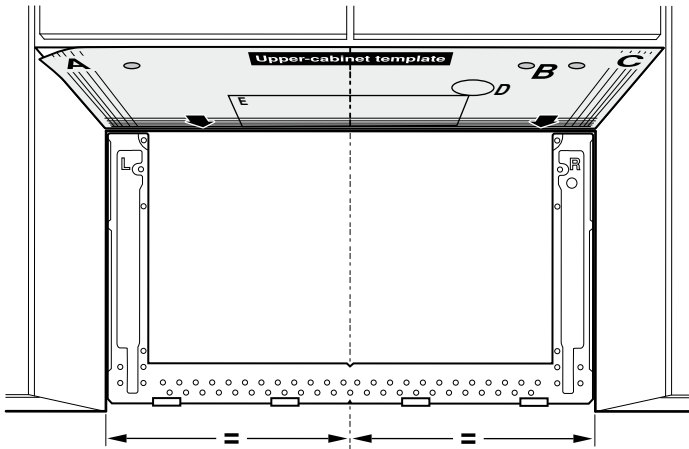
5. Place the blower unit back into the opening.
6. Replace the blower plate and secure with the screws removed in Step 1.
7. Use tin snips to cut and remove knockouts from the rear plate of the microwave oven. Discard knockouts. Be careful not to distort the plate.

- Attach the exhaust adapter to the rear of the oven by sliding it into the guides. Push in securely until it is in the lower locking tabs. Make sure the damper hinge swings freely.



## Preparing cabinet

- Remove power to outlet.
- Remove all contents from upper cabinet.
- Tape the TOP CABINET TEMPLATE onto the bottom surface. Make sure the template centerline aligns with the vertical line on the wall. Rear wall arrows must be against rear wall.

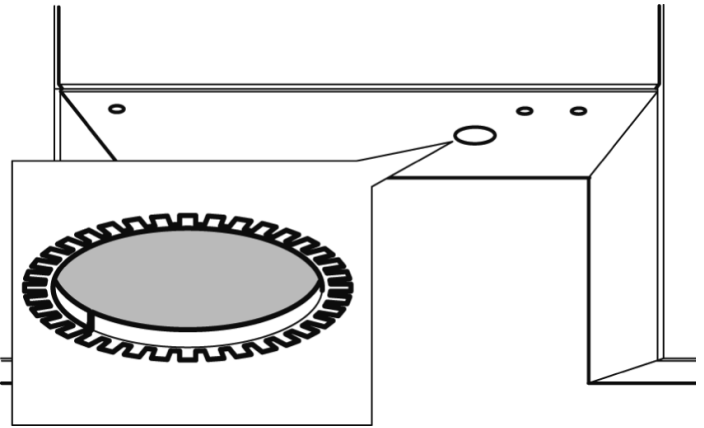


**Note:** For recessed cabinet bottom, trim the template edges so that it fits inside the recessed area. The template has trim lines to use as guides.

- Drill  $3\frac{3}{8}$ " (9,5 mm) holes at "A", "B" and "C".

**Note:** Wear safety goggles when drilling holes in the cabinet bottom.

- Cut out the 2" (50,8 mm) hole at "D". This hole is for the power supply cord.



**Note:** If the cabinet is metal, use the nylon grommet around the opening to protect the cord.

- Roof venting installation only:** Cut out the shaded area "E" on the template, using a saber or keyhole saw.

### Wall venting installation only: Preparing rear wall

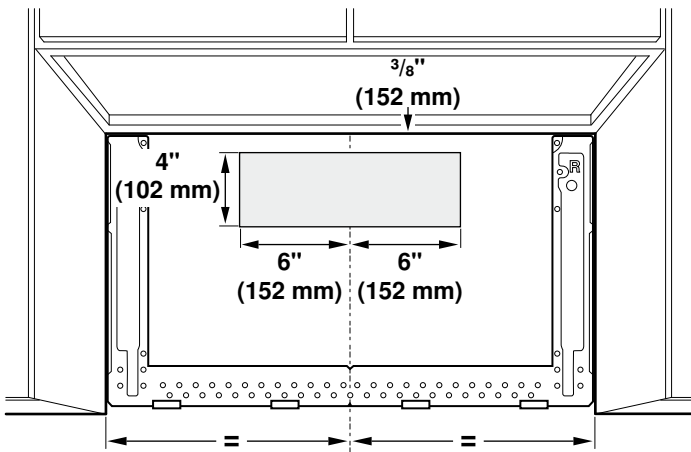
For wall venting installation you need to cut out an opening on the rear wall.

### ⚠ CAUTION

If exhaust adaptor is positioned outside consider recommended dimensions, otherwise grease-laden air will discharge into house structure.

- Mark the centerline (See *Attaching the mounting plate to the wall*)  $3\frac{3}{8}$ " (10 mm) down from the top of the mounting plate.
- Using measuring tape, measure out 6" (152 mm) on both sides of the centerline, and mark.
- Measure down 4" (102 mm) from the mark made in Step 1, and mark.
- Using a straight edge, draw the 2 horizontal level lines through the marks made in Steps 1 and 3.

- Draw the 2 vertical plumb lines down from the marks made in Step 2 to complete the 12" x 4" (304 x 102 mm) rectangle. This is the venting cutout area. The 12" x 4" (305 x 102 mm) cutout area must align with the wall damper vent (where the damper assembly will be installed) on the back of the microwave oven.



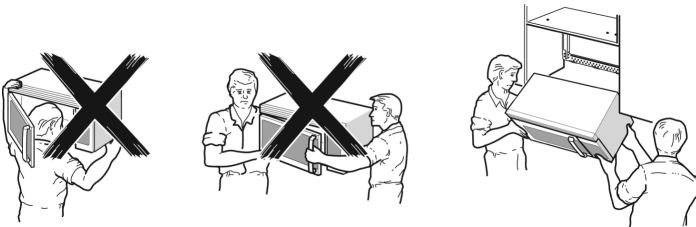
**Note:** Cutout must be free of any obstruction (e.g. wiring, pipes, etc.) so that the vent fits properly, and the damper hinge opens fully and swings freely.

- Using a saber or keyhole saw, cut out this area through the rear wall.

## Mounting the microwave oven

### Notes

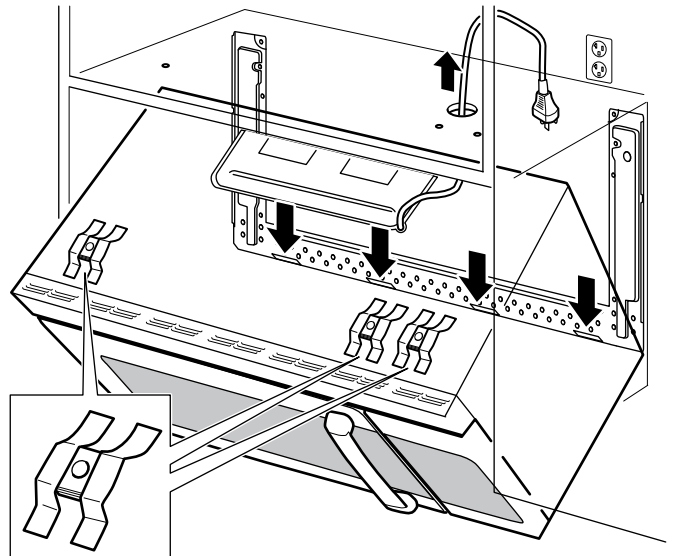
- If the bottom of the upper cabinet is recessed or has front overhang, you will need to prepare 2" x 2" (51 mm x 51 mm - depth equivalent to cabinet recess or overhang) filler blocks to provide additional support for the bolts:
  - mark the center of each filler block and drill a 3/8" (9.5 mm) diameter hole
  - align filler blocks over the three openings on top of the microwave oven and attach with masking tape
- Use at least two people to install the microwave oven. Do not grip or use handle during the installation.



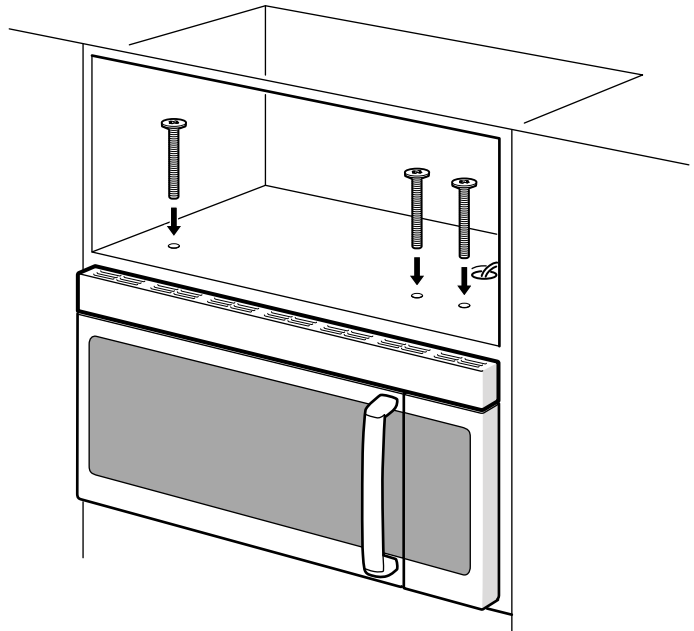
- When mounting the microwave oven, thread power cord through hole in bottom of top cabinet. Keep the cord tight and do not pinch it, especially when mounting flush to bottom of cabinet. Do not pull the cord to lift the oven.

- Lift the microwave, tilt it forward, and hook slots at back bottom edge onto four lower tabs of the mounting plate.

- Rotate the front of the oven up against cabinet bottom.



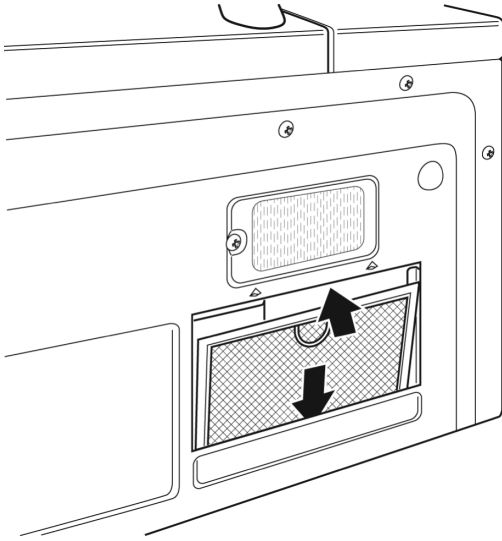
- Insert a self-aligning screw (item A) through top center cabinet hole. Temporarily secure the oven by turning the screw at least two full turns after the threads have engaged.
- Insert the two remaining self-aligning screws through outer top cabinet holes. Turn two full turns on each screw.



- Tighten center screw completely.
- Tighten the outer two screws completely to the top of the microwave oven.

**Note:** While tightening screws, hold the microwave oven in place against the wall and the top cabinet.

7. Install grease filters by sliding them into the side slots, then pushing up and toward oven to lock (image shows bottom view of appliance).



## Hood exhaust




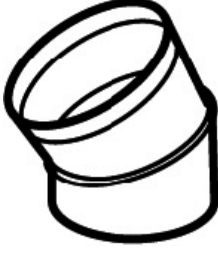
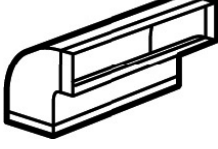
When venting exhaust to the outside, hood exhaust ducts will be required. Read the following carefully.

**Note:** It is important that venting be installed using the most direct route and with as few elbows as possible. This ensures clear venting of exhaust and helps prevent blockages. Also, make sure dampers swing freely and nothing is blocking the ducts.

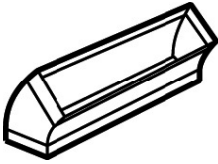
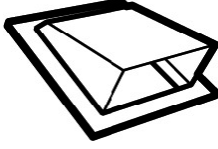
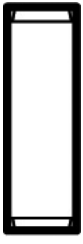
The hood exhaust has been designed to mate with a standard 3¼" x 10" (82 x 254 mm) rectangular duct. If a round duct is required, a rectangular-to-round transition adaptor must be used. Do not use less than a 6" (152 mm) diameter duct.

For satisfactory air movement, the total duct length of 3¼" x 10" (82 x 254 mm) rectangular or 6" (152 mm) diameter round should not exceed 120 equivalent feet (36.5 m).

Elbows, transitions, wall and roof caps etc. cause additional resistance to airflow and are equivalent to a section of straight duct which is longer than their actual physical size. When calculating the total duct length, add the equivalent lengths of all transitions and adaptors plus the length of all straight duct sections. The chart below shows you how to calculate total equivalent ductwork length using the approximate feet of equivalent length of some typical ducts:

Duct Pieces		x	Number used	=	Equivalent Length
	Rectangular-to-Round Transition Adaptor*	5 ft (1.5 m)	x	=	
	Wall Cap	40 ft (12.2 m)	x	=	
	90° Elbow	10 ft (3 m)	x	=	
	45° Elbow	5 ft (1.5 m)	x	=	
	90° Elbow	25 ft (7.6 m)	x	=	
					Total Ductwork =



Duct Pieces			x	Number used	=	Equivalent Length
	45° Elbow	5 ft (1.5 m)	x		=	
	Roof Cap	24 ft (7.3 m)	x		=	
	Straight Duct 6" (152 mm Round or 3 1/4" x 10" (82 x 254 mm) Rectangular	1 ft (0.3 m)	x		=	
Total Ductwork						=

\* If a rectangular-to-round transition adapter is used, first make sure the damper hinge of the microwave swings freely. If necessary, cut the damper to fit, using the tin snips, in order to allow free movement.

Equivalent lengths of duct pieces are based on actual tests and reflect requirements for good venting performance with any vent hood.

## Testing Operation

1. Turn on power at the breaker.
2. Test the microwave:  
Place a cup of water into the oven cavity. Follow the instructions in the Use and Care Manual on how to heat a beverage.
3. Verify that the oven light comes on and the water is heated.
4. If any of the tests do not result as explained above, contact service for assistance. Otherwise, the installation is complete at this time.

# Bosch® Support

## Before Calling Service

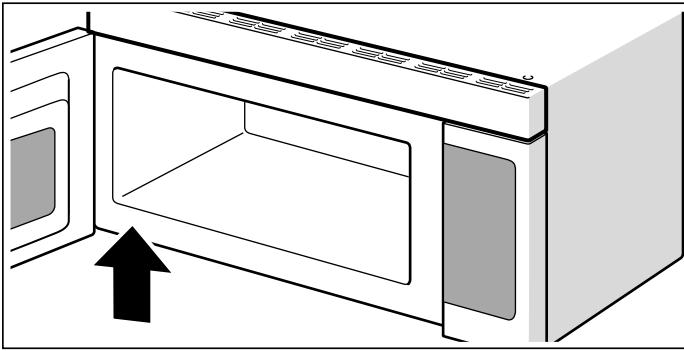
See the Use and Care Manual for troubleshooting information. Refer to the “Statement of Limited Product Warranty” in the Use and Care Manual.

To reach a service representative, see the contact information at the front of the manual. Please be prepared with the information printed on your product data plate when calling.

## Data Plate

The data plate shows the model and serial number. Refer to the data plate on the appliance when requesting service.

The data plate can be found on the inside of the appliance.



To avoid having to search for each piece of information when calling, you can enter the four items needed in the spaces provided below.

<b>Model No.</b>
<b>FD-No.</b>
<b>Date of Purchase</b>
<b>Customer Service</b> ☎

Keep your invoice or escrow papers for warranty validation if service is needed.

## Service

We realize that you have made a considerable investment in your kitchen. We are dedicated to supporting you and your appliance so that you have many years of creative cooking.

Please don't hesitate to contact our Customer Support Department if you have any questions or in the unlikely event that your Bosch® appliance needs service. Our service team is ready to assist you.

### USA

800-944-2904

[www.bosch-home.com/us/support](http://www.bosch-home.com/us/support)

### Canada

800-944-2904

[www.bosch-home.ca/en/support](http://www.bosch-home.ca/en/support)

## Parts and Accessories

Parts, filters, descalers, stainless steel cleaners and more can be purchased in the Bosch® eShop or by phone.

### USA

[www.bosch-home.com/us/store](http://www.bosch-home.com/us/store)

### Canada

Marcone 800-482-6022

or

Reliable Parts 800-941-9217

# Contenido

<b>Definiciones de Seguridad .....</b>	<b>18</b>	<b>Montaje del electrodoméstico .....</b>	<b>24</b>
<b>INSTRUCCIONES DE SEGURIDAD IMPORTANTES ..</b>	<b>19</b>	Retiro de la placa de fijación .....	24
Seguridad con el manejo del electrodoméstico .....	19	Búsqueda de los pasadores de pared .....	24
Códigos y normas de seguridad .....	19	Posibles configuraciones de los pasadores de pared .....	24
Advertencias en virtud de la Proposición 65 del estado de California .....	19	Acoplamiento de la placa de fijación a la pared .....	25
Seguridad con la electricidad .....	19	Adaptación del ventilador del microondas .....	26
Seguridad con el microondas .....	19	Preparación del gabinete .....	27
Seguridad relacionada con los equipos .....	20	Montaje del horno microondas .....	28
<b>Lista de verificación de instalación .....</b>	<b>21</b>	Escape de la campana .....	30
<b>Antes de empezar .....</b>	<b>21</b>	<b>Prueba del funcionamiento .....</b>	<b>31</b>
Quitar el embalaje .....	21	<b>Soporte de Bosch® .....</b>	<b>32</b>
Herramientas y piezas necesarias .....	22	Antes de llamar al servicio .....	32
Piezas incluidas .....	22	Placa de datos .....	32
Requisitos de ubicación .....	22	Servicio técnico .....	32
Requisitos de electricidad .....	23	Piezas y accesorios .....	32
<b>Instalación eléctrica .....</b>	<b>23</b>		

¿Preguntas?

1-800-944-2904

[www.bosch-home.com](http://www.bosch-home.com)

1901 Main Street, Suite 600  
Irvine, CA 92614

¡Con gusto lo atenderemos!

---

# Definiciones de Seguridad

---

## **▲ ADVERTENCIA**

Esto indica que se pueden producir lesiones graves o la muerte si no se cumple con esta advertencia.

---

---

## **▲ ATENCION**

Esto indica que pueden producirse lesiones leves o moderadas si no se cumple con esta advertencia.

---

**AVISO:** Esto indica que puede producirse un daño al electrodoméstico o a la propiedad como resultado de la falta de cumplimiento de este aviso.

**Nota:** Esto lo alerta sobre información y/o consejos importantes.

# INSTRUCCIONES DE SEGURIDAD IMPORTANTES

## LEA Y CONSERVE ESTAS INSTRUCCIONES

INSTALADOR: DEJE ESTAS INSTRUCCIONES CON EL ELECTRODOMÉSTICO CUANDO HAYA FINALIZADO LA INSTALACIÓN.

IMPORTANTE: CONSERVE ESTAS INSTRUCCIONES PARA USO DEL INSPECTOR DE ELECTRICIDAD LOCAL.

---

### ADVERTENCIA

---

Si no sigue la información de este manual exactamente, se puede ocasionar un incendio o una descarga eléctrica que puede causar daños materiales o lesiones personales.

---

---

### ADVERTENCIA

---

No repare ni reemplace ninguna parte del electrodoméstico, a menos que esté específicamente recomendado en este manual. Nunca modifique ni altere la construcción del electrodoméstico. La instalación, servicio técnico o mantenimiento incorrectos pueden causar lesiones o daños materiales. Consulte este manual para su orientación. Remita todas las reparaciones a un centro de servicio técnico autorizado por la fábrica.

---

## Seguridad con el manejo del electrodoméstico

La unidad es pesada y se requieren al menos dos personas o un equipo adecuado para trasladarla. No levante el electrodoméstico tomándolo del asa de la puerta.

Las superficies ocultas pueden tener bordes filosos. Proceda con cuidado al intentar tomar el electrodoméstico por la parte trasera o desde abajo.

## Códigos y normas de seguridad

Este electrodoméstico cumple con la última versión de una o más de las siguientes normas:

- CAN/CSA C22.2 No. 61 - Estufas de uso doméstico (Household Cooking Ranges)
- UL 858 - Estufas eléctricas de uso doméstico (Household Electric Ranges)
- CAN/CSA C22.2 N.º 150 - Hornos de microondas (Microwave Ovens)
- UL 923 - Electrodomésticos de cocción por microondas (Microwave Cooking Appliances)
- UL 507 - Ventiladores eléctricos (Electric Fans)
- CAN/CSA C22.2 No. 113 - Ventiladores (Fans and Ventilators)
- CSA C22.2 N.º 64 - Electrodomésticos para cocinar y para calentar líquidos de uso doméstico (Household Cooking and Liquid-Heating Appliances)

- UL 1026 - Electrodomésticos para cocinar y para servir alimentos eléctricos de uso doméstico (Electric Household Cooking and Food Serving Appliances)

Es responsabilidad del propietario y el instalador determinar si se aplican otros requisitos y/o normas en instalaciones específicas.

---

## Advertencias en virtud de la Proposición 65 del estado de California

---

### ADVERTENCIA

---

Este producto contiene una o más sustancias químicas que el estado de California sabe que provocan cáncer, defectos congénitos, u otro daño reproductivo.

---

---

## Seguridad con la electricidad

---

### ADVERTENCIA

---

Antes de enchufar un cable eléctrico o apagar la fuente de alimentación eléctrica, asegúrese de que todos los controles se encuentren en la posición OFF (Apagado).

---

Para los electrodomésticos equipados con cable y enchufe, no corte ni retire la espiga de conexión a tierra. Debe enchufarse en un receptáculo de conexión a tierra compatible para evitar descargas eléctricas. Si tiene alguna duda respecto de si el receptáculo de pared está correctamente conectado a tierra, el cliente debe solicitar la verificación de un electricista calificado.

Si el Código Nacional Eléctrico (o el Código Eléctrico Canadiense) así lo requiere, este electrodoméstico debe instalarse en un circuito derivado por separado.

El instalador debe mostrar al propietario la ubicación del disyuntor o el fusible. Márquela para recordarla más fácilmente.

Antes de realizar la instalación, apague la alimentación eléctrica en el panel de servicio. Trabe el panel de servicio para impedir que se encienda accidentalmente la alimentación eléctrica.

Asegúrese de que el electrodoméstico sea correctamente instalado y conectado a tierra por un técnico calificado. La instalación, las conexiones eléctricas y la conexión a tierra deben cumplir con todos los códigos correspondientes.

## Seguridad con el microondas

PRECAUCIONES QUE DEBE TENER EN CUENTA ANTES DEL SERVICIO TÉCNICO Y DURANTE ESTE PARA EVITAR LA POSIBLE EXPOSICIÓN A UN EXCESO DE ENERGÍA DE MICROONDAS

- No maneje ni permita que se maneje el horno con la puerta abierta.
- Realice los siguientes controles de seguridad en todos los hornos que necesitan servicio técnico antes de activar el magnetrón u otra fuente de microondas, y haga las reparaciones según corresponda:

# INSTRUCCIONES DE SEGURIDAD IMPORTANTES

## LEA Y CONSERVE ESTAS INSTRUCCIONES

1. Funcionamiento del enclavamiento
  2. Cierre correcto de la puerta
  3. Sellos y superficies sellantes (arcos eléctricos, desgaste y otros daños)
  4. Bisagras y trabas dañadas o sueltas
  5. Evidencia de caídas o abuso
- Antes de activar la alimentación eléctrica del microondas para realizar pruebas o inspecciones de servicio técnico en los compartimentos que generan microondas, verifique el magnetrón, la guía de onda luminosa o la línea de transmisión, y verifique que la alineación, la integridad y la conexión de la cavidad sean correctas.
  - Se deben reparar, reemplazar o ajustar todos los componentes defectuosos o mal ajustados de los sistemas de enclavamiento, monitoreo, sello de la puerta y generación y transmisión de microondas, según los procedimientos descritos en este manual, antes de devolver el horno a su propietario.
  - Se debe realizar en cada horno un control de fugas de microondas para verificar el cumplimiento con la Norma de Rendimiento Federal (Federal Performance Standard), antes de devolverlo a su propietario.

### **INSTRUCCIONES PARA LA CONEXIÓN A TIERRA**

Este aparato debe estar conectado a tierra. En caso de un cortocircuito eléctrico, la conexión a tierra reduce el riesgo de descarga eléctrica proporcionando un cable de escape para la corriente eléctrica.

Este aparato viene equipado con un cable que tiene un alambre de conexión a tierra con un enchufe de conexión a tierra. El enchufe debe colocarse en una toma de corriente que esté instalada y conectada a tierra en forma adecuada.

---

### **ADVERTENCIA**

La incorrecta conexión a tierra puede provocar un riesgo de descarga eléctrica. Consulte a un electricista calificado si no comprende la totalidad de las instrucciones de conexión a tierra o si tiene alguna duda respecto de si el aparato está correctamente conectado a tierra. No use un cable de extensión. Si el cable de alimentación eléctrica es demasiado corto, solicite a un electricista calificado que instale una toma de corriente cerca del aparato.

---

### **Seguridad relacionada con los equipos**

Retire toda la cinta y el embalaje antes de usar el electrodoméstico. Destruya el embalaje después de desembalar el electrodoméstico. Nunca deje que los niños jueguen con el material de embalaje.

Nunca modifique ni altere la construcción del electrodoméstico. Por ejemplo, no retire las patas niveladoras, paneles, cubiertas para cables ni soportes/tornillos antivuelco.

---

### **ADVERTENCIA**

A fin de reducir el riesgo de incendio, utilizar únicamente conducciones de metal.

---

---

### **ATENCIÓN**

Solo para la ventilación general. No utilizar para la extracción de sustancias y vapores peligrosos o explosivos.

---



# Lista de verificación de instalación

Use esta lista de verificación para verificar que haya completado cada paso del proceso de instalación. Esta lista puede ayudarlo a evitar errores comunes.

Consulte las instrucciones detalladas para cada paso en las secciones que se encuentran a continuación de esta lista de verificación.

1. Antes de instalar el aparato, asegúrese de verificar que las medidas del gabinete sean correctas para su aparato y que estén presentes las conexiones eléctricas requeridas. Asegúrese de que el conducto eléctrico proporcionado en el aparato pueda llegar al punto de conexión.

*Sección: Requisitos de ubicación*

2. Mueva el aparato a su lugar, en frente de la abertura del gabinete.

*Sección: Retiro del embalaje*

3. Retire los materiales de embalaje, pero deje el embalaje de la parte inferior en el aparato para evitar daños al piso.

*Sección: Retiro del embalaje*

4. Retire la placa de fijación de la parte posterior del aparato.

*Sección: Montaje del electrodoméstico - Retiro de la placa de fijación*

5. Busque los pasadores de pared.

*Sección: Montaje del electrodoméstico - Búsqueda de los pasadores de pared*

6. Acople la placa de fijación a la pared.

*Sección: Montaje del electrodoméstico - Acoplamiento de la placa de fijación a la pared*

7. Adapte el ventilador del microondas.

*Sección: Montaje del electrodoméstico - Adaptación del ventilador del microondas*

8. Prepare el gabinete para la instalación del aparato.

*Sección: Montaje del electrodoméstico - Preparación del gabinete*

9. Con ayuda, levante el aparato; inclínelo hacia adelante y enganche los slots en la placa de fijación.

*Sección: Montaje del electrodoméstico - Montaje del horno microondas*

10. Deslice completamente el aparato en su lugar y sujete el aparato en la abertura del gabinete con los tornillos suministrados.

*Sección: Montaje del electrodoméstico - Montaje del horno microondas*

11. Use el conducto correcto para escape de la campana.

*Sección: Montaje del electrodoméstico - Escape de la campana*

12. Asegúrese de que el aparato funciona.

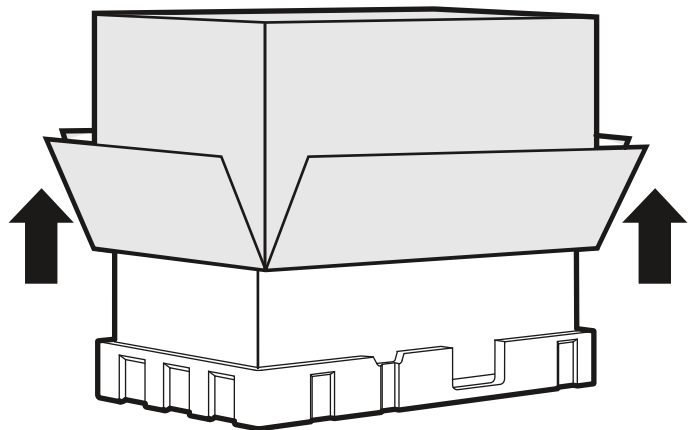
*Sección: Prueba del funcionamiento*

Lea y siga siempre las instrucciones de instalación completas incluidas en este manual.

## Antes de empezar

### Quitar el embalaje

1. Retire el filtro, los accesorios y elementos de sujeción. No retire el material de Styrofoam que protege el frente del horno.
2. Pliegue las cuatro solapas de la caja de cartón por completo contra las paredes laterales de la caja de cartón. Luego, con cuidado, dé vuelta el horno y la caja de cartón, y apóyelos sobre la parte superior. El horno debería estar apoyado en el material de Styrofoam.
3. Levante la caja de cartón y retírela del horno.



4. Corte el medio de la bolsa protectora externa de plástico para retirar la placa de fijación.

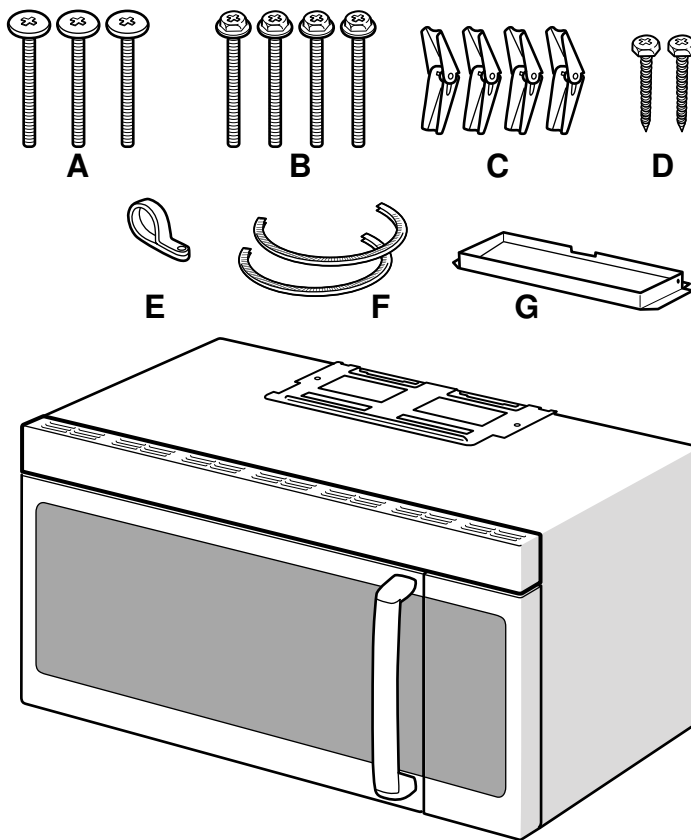
## Herramientas y piezas necesarias

- Destornillador con cabeza Phillips
- Lápiz.
- Regla o cinta métrica, y borde recto.
- Taladro.
- Brocas: 3/16 pulg., 1/2 pulg., 5/8 pulg.
- Guantes.
- Sierra (de vaivén, de perforación o de punta).
- Buscapasadores o martillo.
- Gafas de seguridad.
- Nivel
- Cinta de tela y de enmascarar.

## Herramientas opcionales

- Escuadra de carpintero.
- Tijeras para hojalata (para cortar el tubo y retirar los orificios precortados)
- Tijeras (para cortar la plantilla de gabinetes)
- Bloques de relleno o piezas de trocería de madera (para instalaciones de gabinetes inferiores empotrados).

## Piezas incluidas



El soporte para la instalación se encuentra en el paquete junto con la unidad. Asegurarse de que todas estas partes están incluidas:

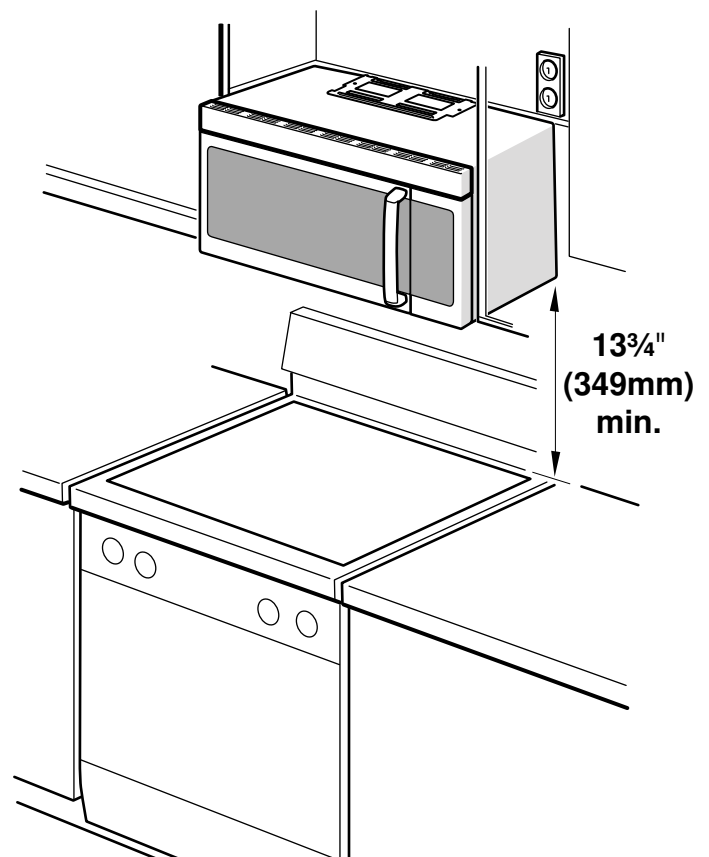
- A Pernos de montaje superiores:  
Tornillos autoalineables para metales 1/4"-28x3 1/4"
- B Tornillos basculantes - 3/16"x3"
- C Soporte para montaje en pared:  
Anclajes de mariposa
- D Tornillos para madera 1/4"x2"
- E Agarradera del cable de corriente
- F Pasacables de nailon (para armarios de metal)
- G Pieza de conexión para ventilación

No mostrados:

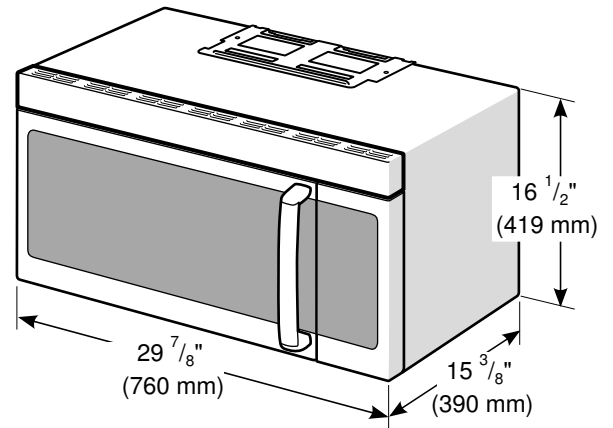
- Plantilla para armario superior
- Placa de fijación (unida a la parte posterior del horno de microondas)
- Filtros antigrasa de aluminio
- Filtro de carbón activo (instalado de fábrica en el horno de microondas)

## Requisitos de ubicación

### Medidas para la instalación



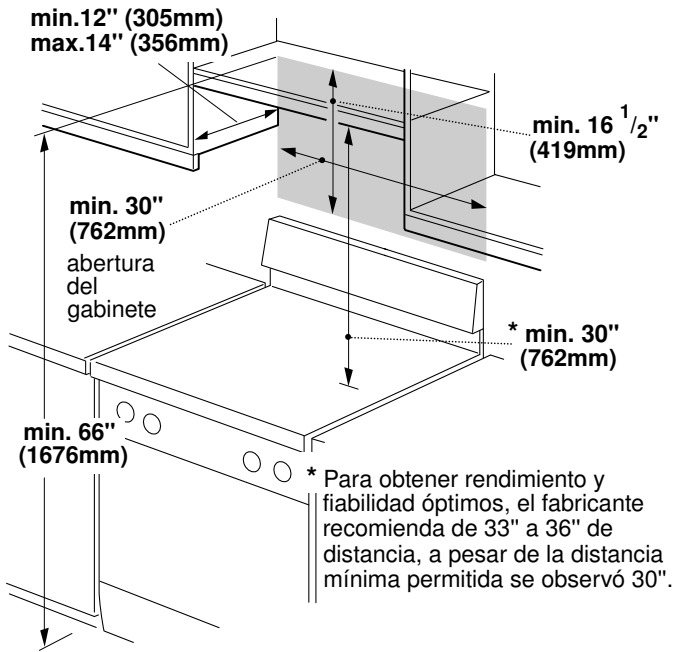
## Medidas del aparato



## Requisitos de electricidad

La toma de corriente debe tener la conexión a tierra adecuada de conformidad con todos los códigos correspondientes.

Se puede instalar dentro del gabinete que se encuentra arriba del horno.



## Instalación eléctrica

Requisitos eléctricos:

- Una toma de corriente de tres espigas conectada a tierra.
- 120 V, 60 Hz, CA únicamente.
- Suministro eléctrico de 20 A con un fusible o un disyuntor.

Este producto debe conectarse a un circuito de suministro que tenga una tensión y una frecuencia adecuadas. El tamaño del cable debe cumplir con los requisitos del Código Eléctrico Nacional o el código local pertinente para esta capacidad nominal. El cable y el enchufe de suministro de alimentación deben colocarse en una única toma de corriente conectada a tierra de circuito derivado de 20 A separada. La caja de la toma de corriente debe ubicarse en la sección detrás del aparato (consulte la sección *Requisitos de ubicación - Medidas para la instalación*). La caja de la toma de corriente y el circuito de suministro deben ser instalados por un electricista calificado y cumplir con el Código Eléctrico Nacional o el código local pertinente.

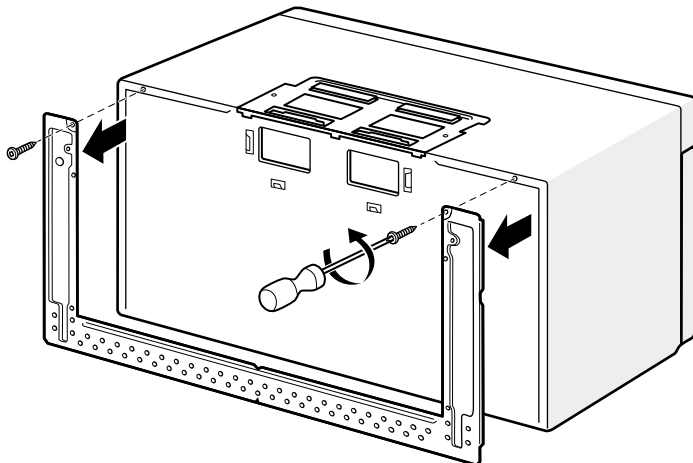
La tensión utilizada debe ser la misma que la especificada en este horno microondas. El uso de una tensión mayor es peligroso y puede provocar un incendio o daños al horno. Usar una tensión menor hará que los alimentos se cocinen lentamente. El comerciante no es responsable de ningún daño que se produzca por el uso del horno con una tensión que no sea la especificada.

# Montaje del electrodoméstico

## Retiro de la placa de fijación

**Nota:** Para evitar posibles daños a la superficie de trabajo o a la parte inferior del aparato, cubra la superficie de trabajo.

1. Retire cualquier elemento que haya quedado en la cavidad del horno microondas.
2. Retire los tornillos de la placa de fijación.



La placa de fijación se utilizará como plantilla de la pared trasera y para el montaje.

3. Reinstale los tornillos en los orificios de los que fueron retirados.

**Nota:** Para evitar dañar el horno microondas, no sujete ni use la puerta ni la manija de la puerta mientras está manejando el horno microondas.

## Búsqueda de los pasadores de pared

**Nota:** El microondas debe conectarse a, al menos, un pasador de pared. Si no hay pasadores de pared en la abertura del gabinete, no instale el horno microondas.

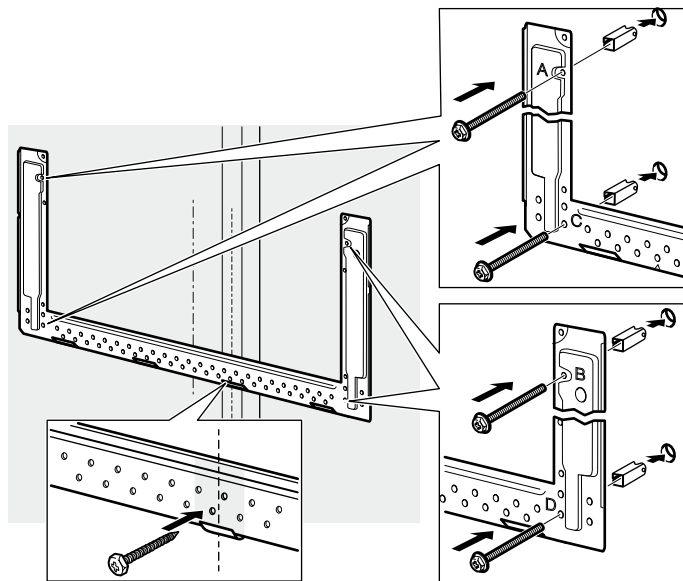
1. Ubique los bordes de los pasadores de pared dentro de la abertura del gabinete utilizando lo siguiente:
  - un buscapasadores; o bien
  - un martillo (golpeando levemente la superficie de montaje para encontrar un sonido sólido).
2. Coloque una marca en la mitad entre los bordes y dibuje una línea por el centro de los pasadores (consulte la posible configuración de los pasadores de pared).

## Posibles configuraciones de los pasadores de pared

Estas representaciones muestran ejemplos de las configuraciones preferidas de instalación con la placa de fijación.

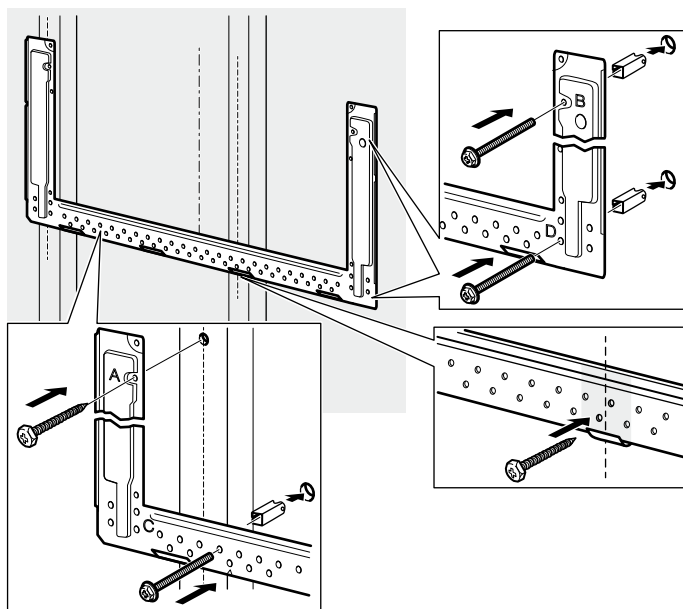
**Nota:** Debe tenerse cuidado al taladrar los orificios. Puede haber cables eléctricos ocultos detrás de la cubierta de la pared y el contacto con estos podría provocar una descarga eléctrica.

## Sin pasadores de pared en los orificios de las esquinas

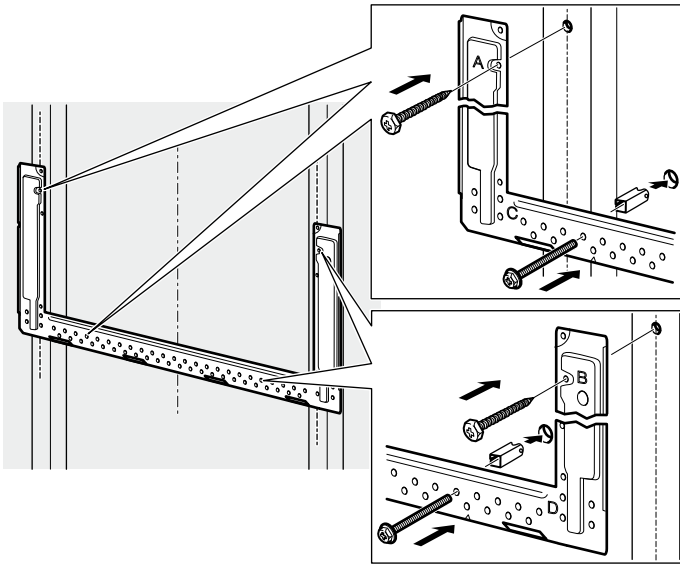


Si el pasador de pared se encuentra dentro de 6¼ pulg. (159 mm) de la línea central vertical, únicamente pueden realizarse las instalaciones de ventilación de ambiente (recirculación) o de ventilación de techo.

## Pasador de pared en uno de los orificios de las esquinas



## Pasadores de pared en ambos orificios de las esquinas



## Acoplamiento de la placa de fijación a la pared

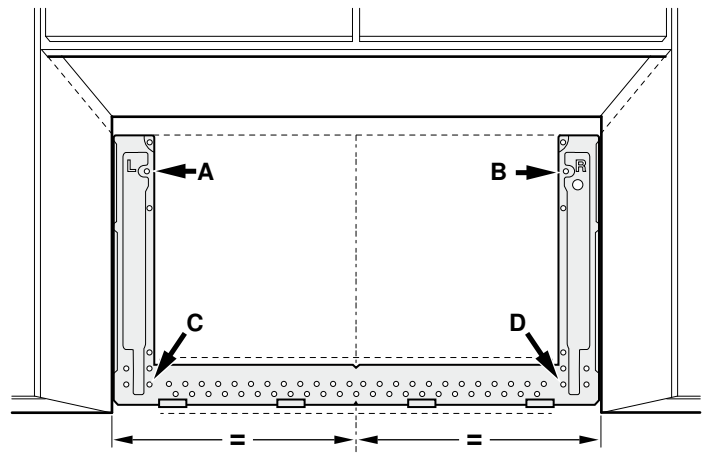
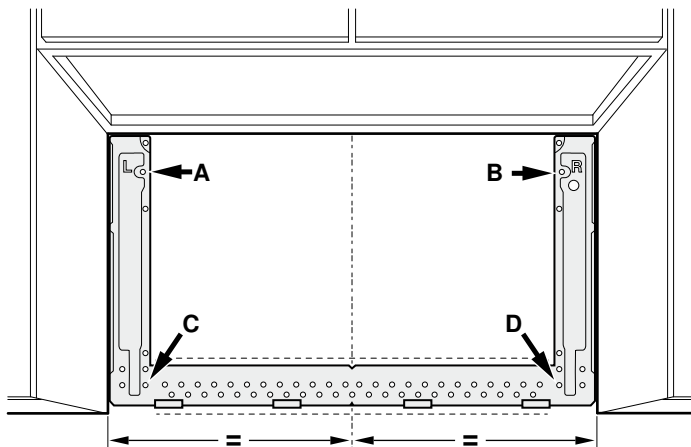
### Alineación de la placa de fijación

#### ⚠ ATENCION

Utilice guantes para evitar cortarse los dedos en bordes filosos.

**Nota:** Asegúrese de que la parte inferior del gabinete esté nivelada.

1. Dibuje una línea vertical en la pared en el centro del espacio del gabinete.
2. Utilice la placa de fijación como plantilla y colóquela en la pared asegurándose de que los fijadores estén en contacto con la parte inferior del gabinete o la línea de nivel.



3. Alinee la muesca y la línea central de la placa de fijación a la línea central en la pared.
4. Mientras sujeta la placa de fijación, dibuje círculos en la pared en los orificios A, B, C y D.

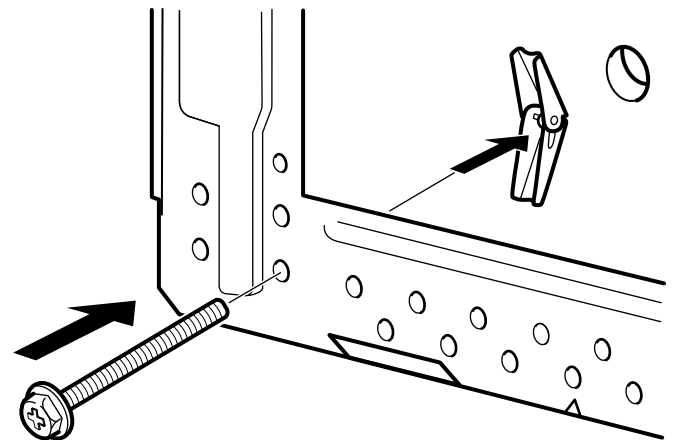
**Nota:** Si A, B, C y D no se encuentran en un pasador, encuentre un pasador en alguna parte de la sección inferior de la placa de fijación y dibuje un quinto círculo para la alineación con el pasador.

Es importante utilizar, como mínimo, un tornillo para madera montado firmemente en un pasador para sostener el peso del microondas.

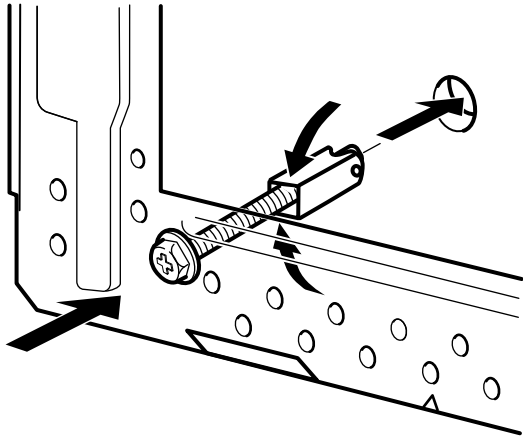
5. Deje la placa de fijación a un costado.
6. Taladre orificios en los círculos:
  - Orificios de 3/16 pulg. (5 mm) para los tornillos para madera (pasador).
  - Orificios de 5/8 pulg. (16 mm) para los pernos de anclaje (sin pasador).

### Acoplamiento de la placa de fijación (sin pernos de pared en los orificios de las esquinas)

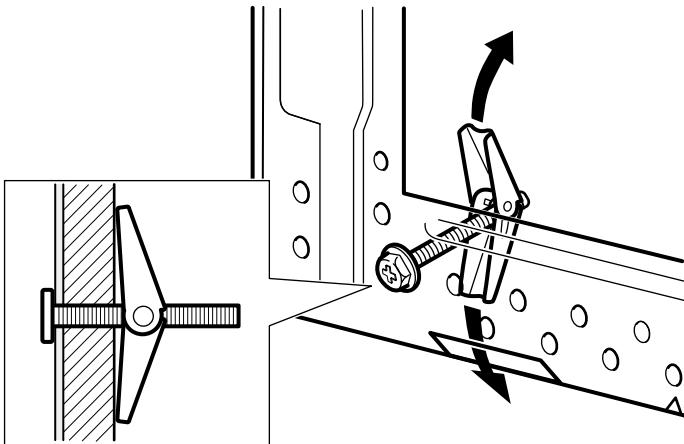
1. Inserte los pernos en la placa de fijación a través de los orificios designados.



2. Acople las alas de anclaje de la parte trasera de la placa de fijación en cada perno. Deje espacio suficiente para que las alas de anclaje atraviesen la pared y se abran.



3. Coloque la placa de fijación contra la pared y asegúrese de que los fijadores estén en contacto con la parte inferior del gabinete o la línea de nivel (consulte "Alineación de la placa de fijación").
4. Empuje los pernos a través del panel de yeso, y ajuste los pernos con la mano para asegurarse de que las alas de anclaje se hayan abierto contra el panel de yeso.



5. Verifique que la placa esté centrada en forma adecuada; asegúrese de que esté nivelada.
6. Ajuste firmemente todos los tornillos, incluido el quinto tornillo para madera en la sección inferior de la placa de fijación.

#### Acoplamiento de la placa de fijación (perno de pared en un orificio de esquina)

1. Inserte los pernos y los tornillos para madera en la placa de fijación a través de los orificios designados.
2. Acople las alas de anclaje de la parte trasera de la placa de fijación en cada perno. Deje espacio suficiente para que las alas de anclaje atraviesen la pared y se abran.
3. Coloque la placa de fijación contra la pared y asegúrese de que los fijadores estén en contacto con la parte inferior del gabinete o la línea de nivel (consulte "Alineación de la placa de fijación").

4. Empuje los pernos a través del panel de yeso, y ajuste los pernos con la mano para asegurarse de que las alas de anclaje se hayan abierto contra el panel de yeso.
5. Verifique que la placa esté centrada en forma adecuada; asegúrese de que esté nivelada.
6. Ajuste firmemente todos los tornillos y pernos.

#### Acoplamiento de la placa de fijación (pernos de pared en ambos orificios de las esquinas)

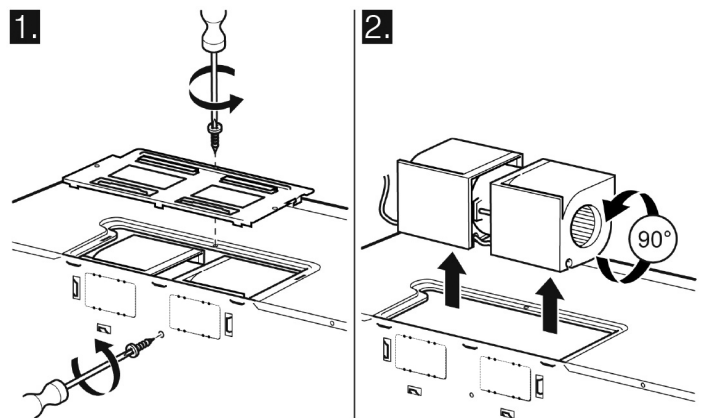
1. Inserte los tornillos para madera en la placa de fijación a través de los orificios designados.
2. Coloque la placa de fijación contra la pared y asegúrese de que los fijadores estén en contacto con la parte inferior del gabinete o la línea de nivel (consulte "Alineación de la placa de fijación").
3. Verifique que la placa esté centrada en forma adecuada; asegúrese de que esté nivelada.
4. Ajuste todos los tornillos firmemente.

#### Adaptación del ventilador del microondas

Este microondas se envía ensamblado para la instalación de ventilación de ambiente. La unidad del ventilador ya está en su lugar y no debe adaptarse.

#### Adaptación del ventilador del microondas para la ventilación de techo

1. Retire y conserve los tornillos que sostienen el motor del ventilador y la placa del ventilador. Levante la placa del ventilador y déjela a un costado.
2. Retire la unidad del ventilador con cuidado y rótelas 90° de modo que las aberturas de los álabes del ventilador miren hacia la parte superior del microondas.



3. Vuelva a colocar la unidad del ventilador en la abertura.

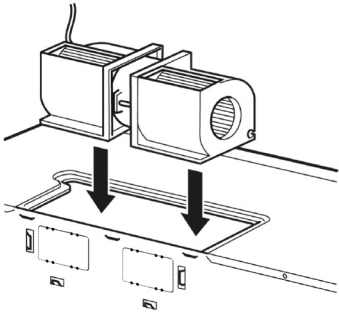
#### ⚠ ATENCION

No tire del cableado de la unidad del ventilador ni lo estire. Asegúrese de que los cables no queden pinzados y de que estén asegurados en forma adecuada.

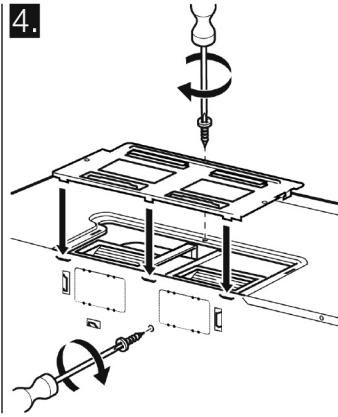


- Vuelva a colocar la placa del ventilador y asegúrela con los tornillos que se retiraron en el paso 1.

3.

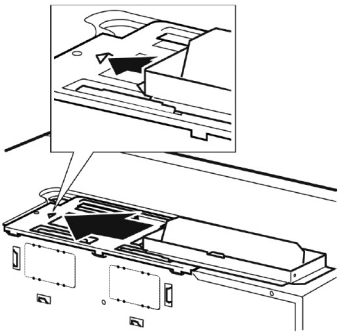


4.



- Acople el adaptador del escape a la parte superior de la placa del ventilador deslizándolo en las guías. Empújelo hacia adentro en forma segura hasta que se encuentre en los fijadores. Asegúrese de que la bisagra del regulador se mueva libremente.

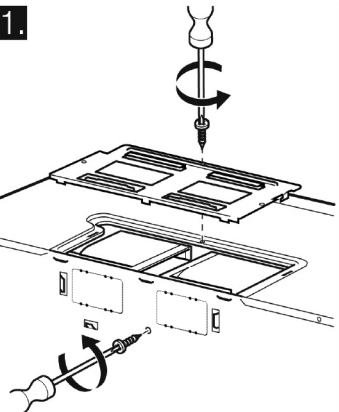
5.



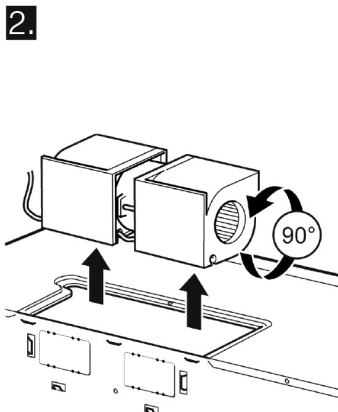
### Adaptación del ventilador del microondas para la ventilación de pared

- Retire y conserve los tornillos que sostienen el motor del ventilador y la placa del ventilador. Levante la placa del ventilador y déjela a un costado.
- Retire la unidad del ventilador con cuidado y rótelas 90° de modo que las aberturas de los álabes del ventilador miren hacia la parte superior del microondas.

1.



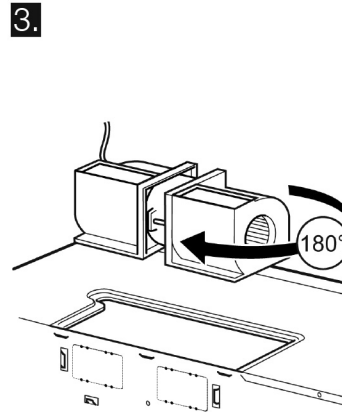
2.



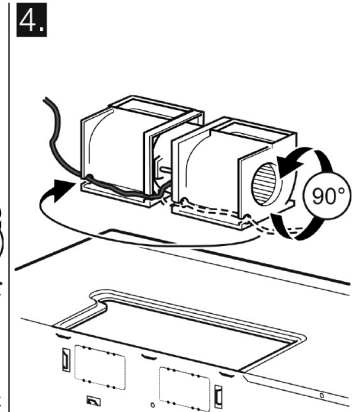
- Rote la unidad del ventilador 180° en el sentido contrario a las agujas del reloj.

- Retire suavemente los cables de las ranuras. Redirija los cables a través de las ranuras en el otro lado de la unidad del ventilador. Rote la unidad del ventilador 90° de modo que las aberturas de los álabes del ventilador miren hacia la parte trasera del microondas.

3.



4.

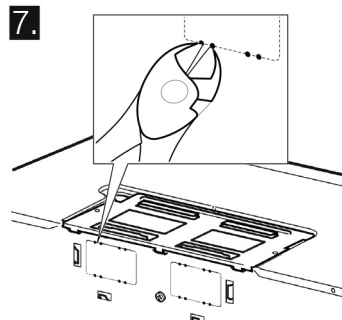


### ⚠ ATENCION

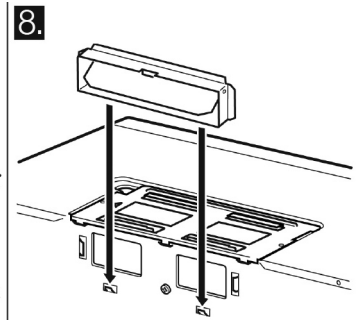
No tire del cableado de la unidad del ventilador ni lo estire. Asegúrese de que los cables no queden pinzados y de que estén asegurados en forma adecuada.

- Vuelva a colocar la unidad del ventilador en la abertura.
- Vuelva a colocar la unidad del ventilador en la abertura.
- Utilizar unas tijeras para hojalata para cortar y retirar los orificios precortados en la placa trasera del horno microondas. Desechar la zona recortada. Tener cuidado de no deformar la placa.
- Acople el adaptador del escape a la parte trasera del horno deslizándolo en las guías. Empújelo hacia adentro en forma segura hasta que se encuentre en los fijadores inferiores. Asegúrese de que la bisagra del regulador se mueva libremente.

7.

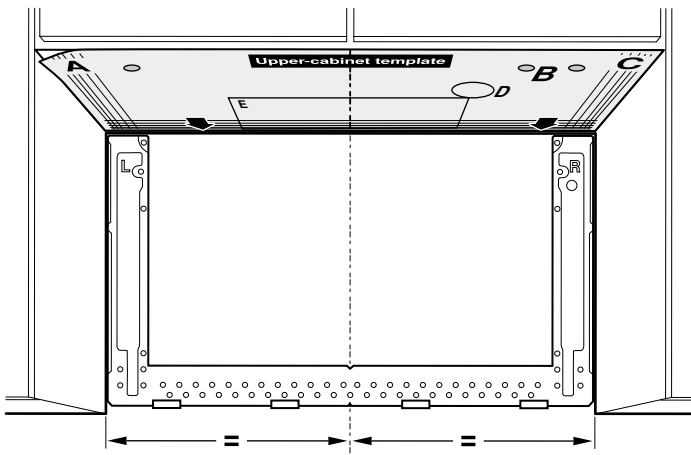


8.



### Preparación del gabinete

- Desenchufar la toma de corriente.
- Retirar todo el contenido del armario superior.
- Pegar la PLANTILLA PARA EL ARMARIO SUPERIOR en la superficie inferior. Asegurarse de que la línea central de la plantilla quede alineada con la línea vertical en la pared. Las flechas de la pared trasera deben estar contra la pared trasera.

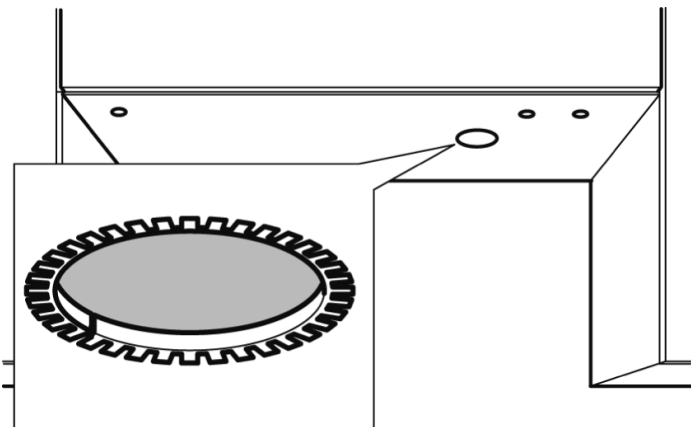


**Nota:** En caso de fondo en armario empotrado, recortar los extremos de la plantilla para que encaje dentro del área empotrada. La plantilla contiene líneas recortables para usarlas como guías.

4. Taladro  $3/8$ " (9.5 mm) orificios en "A", "B" y "C".

**Nota:** Usar gafas de seguridad cuando se perforen los orificios del fondo del armario.

5. Recortar el orificio de 2" (50.8 mm) en "D". Este agujero es para el cable de corriente.



**Nota:** Si el armario es de metal, usar el pasacables de nailon alrededor de la abertura para proteger el cable.

6. **Solo para instalación con ventilación en techo:** recortar el área sombreada "E" de la plantilla con ayuda de una sierra de vaivén o una sierra caladora.

**Solo para instalación con ventilación en pared: preparación de la pared trasera**

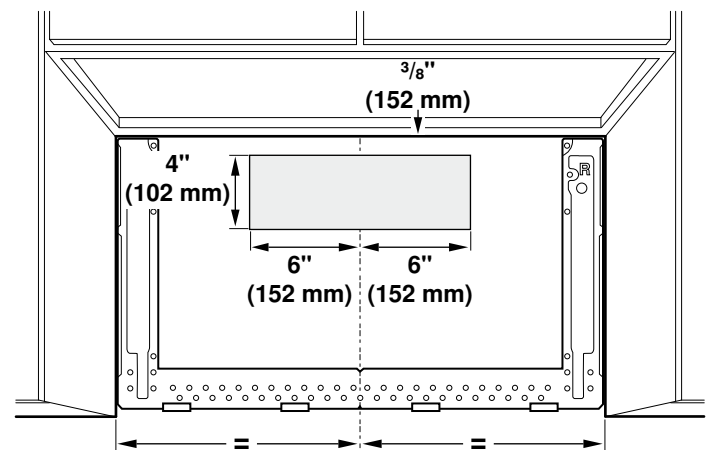
Para la instalación con ventilación en pared, es necesario cortar una abertura en la pared trasera.

**⚠ ATENCION**

Si la pieza de conexión para la ventilación está situada fuera, se deben tener en cuenta las dimensiones recomendadas, de lo contrario el aire cargado de grasa se depositará en la casa.

1. Marcar la línea central (ver *Colocación de la placa de fijación a la pared*)  $3/8$ " (10 mm) desde la parte superior de la placa de fijación hacia abajo.
2. Con la ayuda de una cinta métrica, medir 6" (152 mm) en ambos lados de la línea central y marcar.
3. Medir 4" (102 mm) hacia abajo desde la marca realizada en el paso 1 y marcar.
4. Con ayuda de una regla, dibujar las 2 líneas de nivelado horizontales a partir de las marcas hechas en el paso 1 y 3.
5. Trazar las 2 plomadas verticales desde las marcas hechas en el paso 2 hacia abajo para completar el rectángulo de 12" x 4" (304 x 102 mm). Esta es la zona de corte de la ventilación.

La zona de corte de 12" x 4" (305 x 102 mm) debe alinearse con el conducto de ventilación del regulador de tiro de la pared (donde se instalará el conjunto del regulador de tiro), en la parte posterior del horno de microondas.



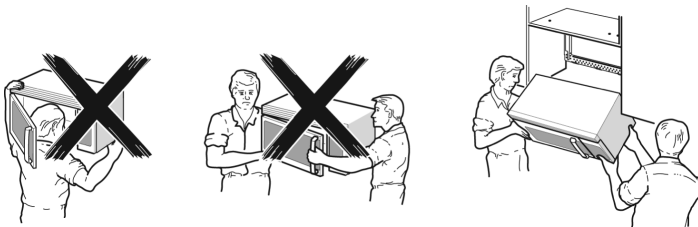
**Nota:** La zona recortada no debe presentar ningún tipo de obstrucción (por ejemplo, cableado, tuberías, etc.) de manera que los conductos de ventilación queden bien encajados y la bisagra del regulador de tiro se abra completamente y oscile libremente.

6. Con ayuda de una sierra de vaivén o una sierra caladora, recortar esta área a través de la pared trasera.

**Montaje del horno microondas**

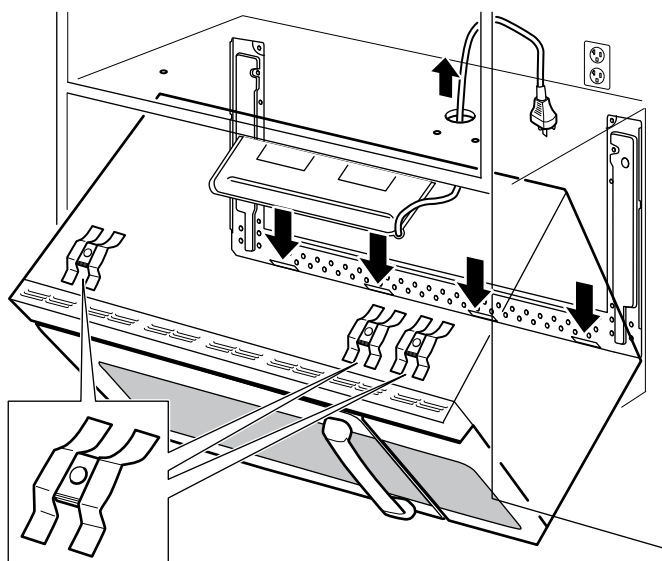
**Notas**

- Si la parte inferior del armario superior está empotrada o tiene saliente delantero, se tendrán que preparar bloques de relleno de 2" x 2" (51 mm x 51 mm - profundidad equivalente al hueco o saliente del armario) para proporcionar apoyo adicional a los pernos:
  - marcar el centro de cada bloque de relleno y perforar un orificio de  $3/8$ " (9.5 mm)
  - alinear los bloques de relleno sobre las tres aberturas en la parte superior del horno de microondas y fijar con cinta adhesiva
- Contar con al menos dos personas para instalar el horno de microondas. No asir ni usar la empuñadura durante la instalación.

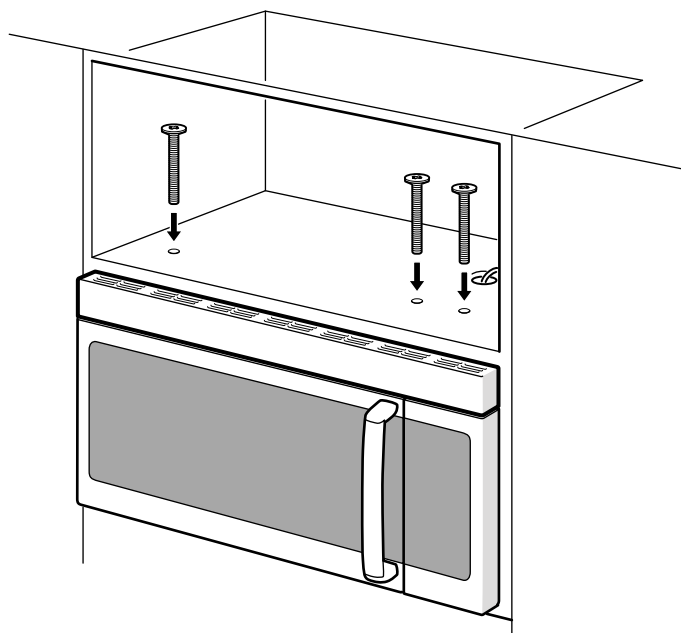


- Al montar el horno de microondas, pasar el cable de corriente a través del agujero en el fondo del armario superior. Mantener el cable tenso y no aprisionarlo, especialmente cuando se instale alineado con el fondo del armario. No tirar del cable para levantar el horno.

1. Levantar el horno de microondas, inclinarlo hacia adelante y enganchar las ranuras del extremo inferior de la parte posterior en las cuatro lengüetas inferiores de la placa de fijación.
2. Girar la parte frontal del horno hacia el fondo del armario.



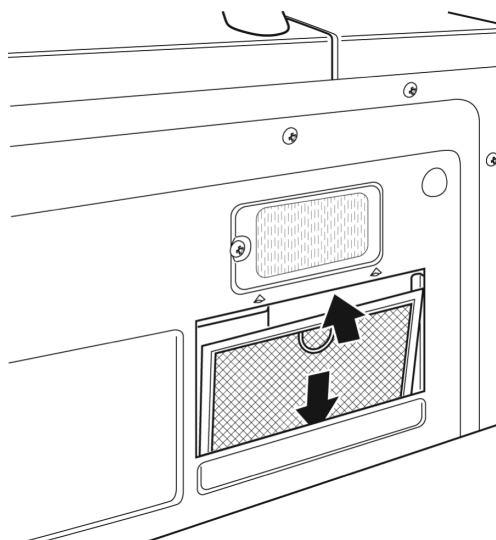
3. Insertar un tornillo autoalineable (objeto A) en el agujero de la parte superior central del armario. Asegurar el horno temporalmente girando el tornillo por lo menos dos vueltas completas después de que sus cuerdas hayan encajado.
4. Insertar los dos tornillos autoalineables restantes en los agujeros exteriores del armario superior. Girar cada tornillo dos vueltas completas.



5. Apretar el tornillo central por completo.
6. Apretar los dos tornillos exteriores por completo a la parte superior del horno de microondas.

**Nota:** Mientras se aprietan los tornillos, sujetar el horno de microondas en el lugar en el que se colocará contra la pared y el armario superior.

7. Colocar los filtros antigrasa insertándolos en las ranuras laterales y, a continuación, empujando hacia arriba y hacia el horno para bloquearlos (la imagen muestra una vista de la parte inferior del aparato).



## Escape de la campana





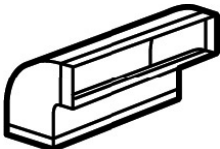
Para ventilar aire de escape al exterior, se requieren conductos de escape de la campana. Lea lo siguiente con cuidado.

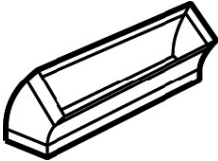
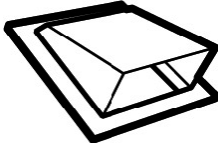
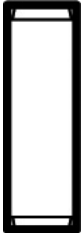
**Nota:** Es importante instalar la ventilación utilizando la ruta más directa y con la menor cantidad posible de codos. Esto garantiza una ventilación del aire de escape sin obstáculos y ayuda a evitar obstrucciones. Además, asegúrese de que los reguladores se muevan con libertad y de que no haya ningún elemento bloqueando los conductos.

El escape de la campana ha sido diseñado para acoplarse con un conducto rectangular estándar de 3¼ pulg. x 10 pulg. (82 x 254 mm). Si se requiere un conducto redondo, debe utilizarse un adaptador para la transición de rectangular a redonda. No utilice conductos que tengan un diámetro de menos de 6 pulg. (152 mm).

Para el movimiento satisfactorio del aire, la longitud total del conducto rectangular de 3¼ pulg. x 10 pulg. (82 x 254 mm) o del conducto redondo de 6 pulg. (152 mm) de diámetro no debe superar el equivalente de 120 pies (36.5 m).

Los codos, las transiciones, las tapas de pared y techo, etc. provocan una resistencia adicional al flujo de aire y son equivalentes a una sección de conducto recto de mayor longitud que su tamaño físico real. Al calcular la longitud total del conducto, sume las longitudes equivalentes de todas las transiciones y de todos los adaptadores más la longitud de todas las secciones de conducto recto. El cuadro que se encuentra a continuación muestra cómo calcular la longitud total equivalente de la red de conductos utilizando la cantidad de pies aproximada de longitud equivalente de algunos conductos típicos:

Piezas de conductos		x	Cantidad utilizada	=	Longitud equivalente
	Adaptador de transición de rectangular a redonda*	5 pies (1.5 m)	x	=	
	Tapa de pared	40 pies (12.2 m)	x	=	
	Codo de 90°	10 pies (3 m)	x	=	
	Codo de 45°	5 pies (1.5 m)	x	=	
	Codo de 90°	25 pies (7.6 m)	x	=	
				Total de la red de conductos	=

Piezas de conductos		x	Cantidad utilizada	=	Longitud equivalente
	Codo de 45°		5 pies (1.5 m)	x	=
	Tapa de techo		24 pies (7.3 m)	x	=
	Conducto recto redondo de 6 pulg. (152 mm) o rectangular de 3 1/4 pulg. x 10 pulg. (82 x 254 mm)		1 pie (0.3 m)	x	=
				Total de la red de conductos	=

\* Si se utiliza un adaptador de transición de rectangular a redonda, primero asegúrese de que la bisagra del regulador del microondas se mueva con libertad. De ser necesario, corte el regular para que calce, utilizando las tijeras de hojalatero, a fin de permitir un movimiento con libertad.

Las longitudes equivalentes de las piezas de conductos se basan en pruebas reales y reflejan los requisitos para obtener un buen rendimiento de ventilación con cualquier campana de ventilación.

## Prueba del funcionamiento

1. Encienda la alimentación eléctrica desde el disyuntor.
2. Pruebe el microondas:  
Coloque una taza de agua en la cavidad del horno. Siga las instrucciones que se indican en el Manual de uso y cuidado sobre cómo calentar una bebida.
3. Verifique que la luz del horno se encienda y que el agua se caliente.
4. Si alguna de las pruebas no funciona según se explicó anteriormente, comuníquese con el servicio técnico para obtener asistencia. De lo contrario, la instalación finaliza en este momento.

# Soporte de Bosch®

## Antes de llamar al servicio

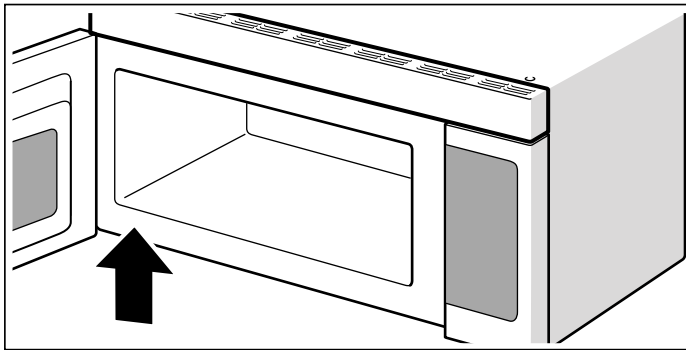
Para obtener información sobre resolución de problemas, consulte el Manual de uso y cuidado. Consulte la “Declaración de Garantía Limitada del Producto” en el Manual de uso y cuidado.

Para consultar a un representante de servicio técnico, remítase a la información de contacto que aparece en el frente del manual. Cuando llame, tenga a la mano la información impresa en la placa de datos de su producto.

## Placa de datos

La placa de datos muestra el modelo y el número de serie. Al solicitar servicio técnico, consulte la placa de datos del aparato.

La placa de datos puede encontrarse en el interior del aparato.



Para evitar tener que buscar los datos de su aparato cuando los precise, es aconsejable anotarlos aquí conjuntamente con el número de teléfono del Servicio de atención al cliente:

---

**Nº de modelo**

---

**Nº FD**

---

**Fecha de compra**

---

**Servicio de atención al cliente** ☎

---

Conserve su factura o los papeles de depósito para la validación de la garantía si necesita solicitar servicio técnico.

## Servicio técnico

Sabemos que usted ha realizado una inversión considerable en su cocina. Nos dedicamos a brindar asistencia a usted y a su aparato de manera que tenga muchos años de cocina creativa.

No dude en comunicarse con nuestro Departamento de Atención al Cliente si tiene alguna pregunta o en el caso poco probable de que su aparato Bosch® necesite servicio técnico. Nuestro equipo de servicio técnico está listo para asistirlo.

### EUA

800-944-2904

[www.bosch-home.com/us/support](http://www.bosch-home.com/us/support)

### Canadá

800-944-2904

[www.bosch-home.ca/en/support](http://www.bosch-home.ca/en/support)

## Piezas y accesorios

Puede comprar piezas, filtros, productos para eliminar el sarro, limpiadores para acero inoxidable y más artículos en la tienda electrónica de Bosch® o por teléfono.

### EUA

[www.bosch-home.com/us/store](http://www.bosch-home.com/us/store)

### Canadá

Marcone 800-482-6022

o

Reliable Parts 800-941-9217











**9000927806**

940701



**BOSCH**

Invented for life

1901 Main Street, Suite 600 • Irvine, CA 92614 • 800-944-2904  
[www.bosch-home.com](http://www.bosch-home.com) • © 2012 BSH Home Appliances