

# BOSCH

DKE 615A

**BOSCH**

En doğru seçim

# Instructions Manual

## INDEX

---

WARNINGS - COMPONENTS.....	14
INSTALLATION .....	15
USE - MAINTENANCE.....	16

# Руководство по эксплуатации

## УКАЗАТЕЛЬ

---

ПРАВИЛА ТЕХНИКИ БЕЗОПАСНОСТИ - ПРИНАДЛЕЖНОСТИ.....	23
УСТАНОВКА .....	24
КСПЛУАТАЦИЯ - ТЕХНИЧЕСКОЕ ОБСЛУЖИВАНИЕ.....	25

# Kullanım Kilavuku

## İÇERİKLER

---

UYARILAR - PARÇALARI .....	26
MONTAJ .....	27
KULLANIM - BAKIMI VE TEMİZLENMESİ.....	28

# WARNINGS - COMPONENTS

## WARNINGS

This appliance has been designed for use as either an **EXTRACTION** (ducting to the outside) or **RECIRCULATION** (filtering) hood. The measurements contained on the drawings in this booklet refer to two models of cooker hood. Therefore, it is essential that you refer to the correct drawing when taking measurements for installation.

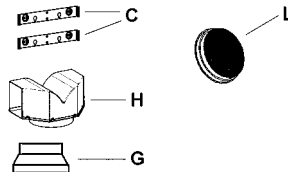
- **The minimum distance between the cooking surface and the metal grease filters on the underside of the hood must be 650mm.**
- **This cooker hood must be installed in accordance with the installation instructions and all requirements must be adhered to.**
- **If the room where the cooker hood is to be used contains a fuel burning appliance such as a central heating boiler then its flue must be of the room sealed or balance flue type.**
- **If other types of flue or appliances are fitted ensure that there is an adequate supply of air to the room.**
- **When the range hood and appliance supplied with energy other than electricity are simultaneously in operation, the negative pressure in the room must not exceed 4 Pa ( $4 \times 10^{-5}$  bar).**
- **The ducting system for this appliance must not be connected to any ventilation system which is being used for any other purpose.**
- **The ducting system for this appliance must not be connected to any existing ventilation system which is being used for any other purpose.**
- **Do not leave naked flames or carry out flambè cooking under this cooker hood.**
- **This appliance is not intended for use by persons (including children) with reduced physical, sensory or mental capabilities, or lack of experience and knowledge, unless they have been given supervision or instruction concerning use of the appliance by a person responsible for their safety.**
- **Children should be supervised to ensure that they do not play with the appliance**

## CONNECTING THE POWER CABLE TO THE MAINS POWER SUPPLY

Before installation, check that the mains voltage indicated on the rating plate inside the appliance corresponds to the voltage available in your home. If the Hood is not fitted with a plug, fit the power cable with a plug of a type approved for the load indicated on the rating plate; when connecting directly to the mains, insert an omnipolar circuit breaker with a minimum contact aperture of 3mm and a size suitable for the load in question between the appliance and the mains supply, making sure it is of a type that complies with current regulations.

## COMPONENTS

- 2 No Wall Brackets **C**
- 1 No 150-120mm Ducting Spigot **G**
- 1 No Air Outlet Connection **H** (Optional)
- 2 No Charcoal Filters **L** (Optional)



# INSTALLATION

---

The cooker hood must be installed centrally over a cooking appliance. The minimum distance between the cooking surface and the metal grease filters on the underside of the hood must be at least 650mm.

To install the hood proceed as follows:

- 1) Drill six 8mm diameter holes at **X1-X2-J** and insert the plastic rawl plugs supplied as illustrated in fig. 2 ensuring the brackets are fitted as shown in the blow up.
- 2) Secure the two brackets **C** to the wall inserting two of the screws supplied through the two holes on line **X1-X2** as illustrated in fig. 2.
- 3) Slide the canopy down the wall to locate the key hole over the washer then secure the canopy to the wall by inserting two of the screws supplied through the two outer holes in the rim of the canopy **J1** and **J2** as illustrated in fig. 3.
- 4) **EXTRACTION OR RECIRCULATION INSTALLATION:**

- **EXTRACTION (DUCTED)**

When installing the ducted version, connect the hood to the chimney using either a flexible or rigid pipe  $\varnothing$  150 or 120 mm, the choice of which is left to the installer.

- To install a  $\varnothing$  120 mm air exhaust connection, insert the reducer flange **9** on the hood body outlet.
- Fix the pipe in position using sufficient pipe clamps (not supplied).
- Remove any activated charcoal filters.

- **RECIRCULATION (FILTERED)**

- When the hood is fitted in the recirculation mode the Air Outlet Connection **H** should be fitted as illustrated in fig. 6.
- Fit the (optional) charcoal filters by repeating the following operation on each side of the motor housing. Place the two key hole slots in the filter **L** and turn the filter clockwise to lock the filter in position as illustrated in fig. 7.

**WARNING:** It is a possible fire hazard if the metal grease filters are not cleaned and the charcoal filters replaced regularly.

## Fitting The Chimney

### 5) FITTING THE CHIMNEY UPPER

To fit the upper chimney **A**, place the top edge of the chimney over the bracket **C** as illustrated in fig. 8 and secure the chimney using two of the 2.9mm self tapping screws provided.

The distance **H** in the height between the fixing holes **X1** and **X2** is determined by the height of the upper chimney **A**.

### 6) FITTING THE CHIMNEY LOWER

To fit the lower chimney **B**, apply slight force to the two rear edges to increase the width of the aperture, then sleeve the chimney **B** over the chimney **A** as illustrated in fig. 9.

# USE - MAINTENANCE

---

## USE

The cooker hood functions are controlled by a series of slider or push button switches mounted on the front of the hood and control the worktop lighting and fan motor speeds. This cooker hood will not remove steam.

### 1) SLIDER SWITCHES

- A switch controls the worktop lighting - ON/OFF.
- A switch controls the fan speeds - OFF/ON-1-2-3.
- The red neon lamp illuminates when the motor is switched ON .

### 2) PUSH BUTTON SWITCHES

- A switch controls the worktop lighting - ON/OFF.
- A button switches the motor OFF/ON at the low speed setting.
- A button switches the motor to the medium speed setting.
- A button switches the motor to the high speed setting.
- The red neon lamp illuminates when the motor is switched ON.

### 3) SPEED SETTINGS

- 1/Low should be selected when simmering or when using only one pan.
- 2/Medium should be selected for cooking when using up to four pans.
- 3/High should be selected when frying or cooking food with a strong odour.

## MAINTENANCE

N.B. Before carrying out any kind of maintenance, cleaning or replacing lamps, disconnect the hood from the mains supply.

### 1. Lighting

Comprises two 40W bulbs. To replace the bulbs, proceed as follows (fig.10): Remove one of the pins at the sides of the lamp cover. Slide the glass towards the side from which the pin has been removed until the opposite edge has been freed, then pull gently downwards. Replace the bulbs and fit the glass again by repeating the above operations in reverse order.

### 2. Filters

- The metal grease filter should be cleaned every two months or more frequently if the hood is used consistently and can be cleaned in a dishwasher or by hand using a mild detergent or liquid soap. When replacing, ensure that they are dry.
- The charcoal filter cannot be washed and should be replaced at least every 2 months or more frequently if the hood is used consistently.

### 3. Cleaning

When cleaning the hood, it is recommended to use a damp cloth and mild liquid household cleaner. Never use abrasive cleaning materials.

**IMPORTANT:** When using a gas hob in connection with the cooker hood never leave the burners of the hob uncovered while the hood is in use or when the pans have been removed. It is very important to follow all instructions for cleaning the hood and filters. There could be a possible fire hazard if the filters are not replaced according to these instructions.

**ATTENTION:** The manufacturer declines all responsibility for any damage or injury caused as a result of not following the instructions for installation, for maintenance and replacement times of filters indicated (in order to avoid a possible risk of fire when the filters are saturated with grease).


---

## Operating modes

---

### Exhaust-air mode:

- ❑ The extractor-hood fan extracts the kitchen vapours and conveys them through the grease filter into the atmosphere.
- ❑ The grease filter absorbs the solid particles in the kitchen vapours.
- ❑ The kitchen is kept almost free of grease and odours.

 **If the extractor hood is operated in exhaust-air mode at the same time as a flue-type heater (e.g. gas, oil or solid-fuel heater, instantaneous water heater, boiler), ensure that there is an adequate air supply** which the heater requires for combustion.

Safe operation is possible provided that the partial vacuum in the room in which the heater is installed does not exceed 4 Pa (0.04 mbar).

This can be achieved if the combustion air is able to flow through non-lockable openings, e.g. in doors, windows and in conjunction with an air supply/air-intake wall box or by other technical procedures such as reciprocal interlocking.

---

## Operating modes

---

**If the air intake is inadequate, there is a risk of poisoning from combustion gases which are drawn back into the room.**


An air-intake/exhaust-air wall box by itself is no guarantee that the limiting value will not be exceeded.


Note: When assessing the overall requirement, the combined ventilation system for the entire household must be taken into consideration. This rule does not apply to the use of cooking appliances, such as hobs and ovens.

Unrestricted operation is possible if the extractor hood is used in recirculating mode – with activated carbon filter.

### Circulating-air mode:

- ❑ An activated carbon filter must be fitted for this operating mode (see Filters and maintenance). The activated carbon filter can be purchased as an optional accessory FROM YOUR DEALER. The corresponding accessory numbers can be found at the end of these operating instructions.
- ❑ The extractor-hood fan extracts the kitchen vapours which are purified in the grease filter and activated carbon filter and then conveyed back into the kitchen.
- ❑ The grease filter absorbs the grease particles in the kitchen vapours.
- ❑ The activated carbon filter binds the odorous substances.

 If no activated carbon filter is installed, it is not possible to bind the odorous substances in the cooking vapours.

 If the extractor hood is switched from exhaust-air mode to circulating-air mode, the exhaust-air opening must be sealed to prevent a hazardous situation (see optional accessories in the Instructions for use).



---

## Before using for the first time


---


### Important notes:


- ❑ The Instructions for Use apply to several versions of this appliance. Accordingly, you may find descriptions of individual features that do not apply to your specific appliance.
- ❑ This extractor hood complies with all relevant safety regulations.  
**Repairs** should be carried out by qualified technicians only.


**Improper repairs may put the user at considerable risk.**


 Do not use the appliance if damaged.


 The appliance is not intended for use by young children or infirmed persons without supervision.  
Young children should be supervised to ensure they do not play with the appliance.


 If the connecting cable for this appliance is damaged, the cable must be replaced by the manufacturer or his customer service or a similarly qualified person in order to prevent serious injury to the user.


 The appliance may be connected to the mains by a qualified technician only.


 Dispose of packaging materials properly (see Installation instructions).

 This extractor hood is designed for domestic use only.

 Light bulbs must always be fitted when the extractor hood is in use.


 Defective bulbs should be replaced immediately to prevent the remaining bulbs from overloading.


 Never operate the extractor hood without a grease filter.


 Overheated fat or oil can easily catch fire.  
If you are cooking with fat or oil, e.g. chips, etc., never leave the cooker unattended.

- ❑ Before using your appliance for the first time, please read these Instructions for Use carefully. They contain important information concerning your personal safety as well as on use and care of the appliance.
- ❑ Please retain the operating and installation instructions for a subsequent owner.


 Do not flambé food directly under the extractor hood.

 Risk of grease filter catching fire due to flames.

 The hotplates must always be covered with a utensil.

 Restrictions apply to the use of the extractor hood over a solid-fuel burner (coal, wood, etc.). (See Installation instructions).

### Gas hobs / Gas cookers

 Do not use all the gas hotplates simultaneously for a prolonged period (max. 15 minutes) at maximum thermal load, otherwise there is a risk of burns if the housing surfaces are touched or a risk of damage to the extractor hood. If the extractor hood is situated over a gas hob, operate the hood at maximum setting if three or more gas hotplates are operated simultaneously.

---


## Cleaning and care

---

### **Isolate the extractor hood by pulling out the mains plug or switching off the fuse.**


- When cleaning the grease filters, remove grease deposits from accessible parts of the housing. This prevents the risk of fire and ensures that the extractor hood continues operating at maximum efficiency.
- Clean the extractor hood with a hot soap solution or a mild window cleaner.
- Do not scrape off dried-on dirt but wipe off with a damp cloth.
- Do not use scouring agents or abrasive sponges.
- Note:** Do not use alcohol (spirit) on plastic surfaces, as dull marks may appear.

**Caution:** Ensure that the kitchen is adequately ventilated. Avoid naked flames!

 Clean the operating buttons with a mild soapy solution and a soft, damp cloth only. Do not use stainless-steel cleaner to clean the operating buttons.

### **Stainless steel surfaces:**

- Use a mild non-abrasive stainless steel cleaner.
- Clean the surface in the same direction as it has been ground and polished.

 Do not use any of the following to clean stainless steel surfaces: abrasive sponges, cleaning agents containing sand, soda, acid or chloride!

### **Aluminium and plastic surfaces:**

- Use a soft, non-linting window cloth or micro-fibre cloth.
- Do not use dry cloths.
- Use a mild window cleaning agent.
- Do not use aggressive, acidic or caustic cleaners.
- Do not use abrasive agents.

---

## Important information

---

⚠ Old appliances are not worthless rubbish. Valuable raw materials can be reclaimed by recycling old appliances. Before disposing of your old appliance, render it unusable.

⚠ You received your new appliance in a protective shipping carton. All packaging materials are environmentally friendly and recyclable. Please contribute to a better environment by disposing of packaging materials in an environmentally-friendly manner.

Please ask your dealer or inquire at your local authority about current means of disposal.

⚠ The extractor hood can be used in exhaust air or circulating air mode.

⚠ Always mount the extractor hood over the centre of the hob.

⚠ Minimum distance between electric hob and bottom edge of extractor hood:  
**650 mm.**

⚠ The extractor hood must not be installed over a solid fuel cooker – a potential fire hazard (e.g. flying sparks) – unless the cooker features a **closed, non-removable cover** and all national regulations are observed.

⚠ The smaller the gap between the extractor hood and hotplates, the greater the likelihood that droplets will form on the underside of the extractor hood.

### Additional information concerning gas cookers:

⚠ When installing gas hotplates, comply with the relevant national statutory regulations (e.g. in Germany: Technische Regeln Gasinstallation TRGI).

⚠ Always comply with the currently valid regulations and installation instructions supplied by the gas appliance manufacturer.

⚠ Only one side of the extractor hood may be installed next to a high-sided unit or high wall. Gap at least 50 mm.

⚠ Minimum distance on gas hotplates between the upper edge of the trivet and lower edge of the extractor hood:  
**650 mm.**

# ПРАВИЛА ТЕХНИКИ БЕЗОПАСНОСТИ - ПРИНАДЛЕЖНОСТИ

## ПРАВИЛА ТЕХНИКИ БЕЗОПАСНОСТИ

Данный прибор спроектирован для использования в качестве вытяжки с **ВЫТЯЖНОЙ ВЕНТИЛЯЦИЕЙ** (отводом воздуха из помещения наружу) или вытяжки с **РЕЖИМОМ РЕЦИРКУЛЯЦИИ** (очищением воздуха с возвратом в то же помещение).

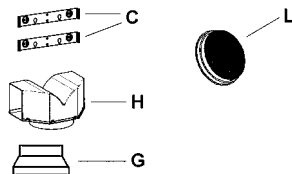
- Минимальное расстояние между варочной панелью и нижней частью вытяжки должно составлять не менее 650 мм.
- Необходимо соблюдать приведенные ниже указания по работе вытяжки с отводом воздуха наружу (режим вытяжной вентиляции).
- Необходимо предусмотреть надлежащую вентиляцию помещения в тех случаях, когда вытяжка и приборы, потребляющие энергию, отличную от электрической, используются одновременно; отрицательное давление в помещении не должно превышать 4 Па ( $4 \times 10^{-5}$  бар).
- Нельзя выполнять отвод воздуха через дымоходы, предназначенные для вывода паров и газов от приборов, которые потребляют энергию, отличную от электрической.
- Необходимо соблюдать нормы коммунальных служб по отводу удаляемого воздуха.
- Следует избегать наличия открытого пламени в пространстве под вытяжкой.
- В вытяжке предусмотрена степень изоляции класса II, поэтому нет необходимости выполнять заземление.
- Прежде чем выполнять какие-либо операции по техобслуживанию, необходимо отключить прибор от электрической сети.
- Запрещается пользоваться прибором людям (и детям) с ограниченными психическими, сенсорными и умственными способностями, а также лицам, не обладающим опытом и необходимыми знаниями, без контроля и предварительного обучения пользованием прибора со стороны ответственных за их безопасность лиц.
- Дети должны находиться под надзором взрослых и не играть с прибором.

### ПОДКЛЮЧЕНИЕ КАБЕЛЯ ПИТАНИЯ К СЕТИ

Прежде чем произвести установку вытяжки, проверьте соответствие напряжения, указанного на специальной табличке внутри прибора, напряжению сети вашей квартиры. Если на вытяжке отсутствует вилка, установите на кабеле питания стандартную вилку, соответствующую указанному на табличке характеристикам напряжению. В случае прямого подключения прибора к сети между ним и сетью необходимо установить многополюсный выключатель с минимальным разведением контактов 3 мм. Выключатель должен выдерживать нагрузку сети и соответствовать действующим нормам.

### ПРИНАДЛЕЖНОСТИ

- 2 крепежные скобы **C**
- 1 переходной фланец **G**
- 1 фильтрующий штуцер **H** (по заказу)
- 2 угольных фильтра **L** (по заказу)



# УСТАНОВКА

Вытяжка должна быть установлена над центром варочной панели. Минимальное расстояние между варочной панелью и нижней частью вытяжки должно составлять не менее 650 мм.

Для монтажа вытяжки необходимо выполнить описанные ниже действия.

- 1) Просверлить 6 отверстий (**X1-X2-J**) Ø 8 мм, соблюдая размеры, указанные на Рис. 1.
- 2) Для монтажа воспользоваться винтами и дюбелями, поставляемыми в комплекте.
- 3) Закрепить скобы **C** (Рис. 2) на стене в отверстиях **X1-X2**.
- 4) Закрепить вытяжку на стене во внешних отверстиях **J1** и **J2** (Рис. 3).
- 5) Смонтировать исполнение с **ВЫТЯЖНОЙ ВЕНТИЛЯЦИЕЙ** или **РЕЖИМОМ РЕЦИРКУЛЯЦИИ**

## • ВЫТЯЖНАЯ ВЕНТИЛЯЦИЯ

Для установки исполнения с вытяжной вентиляцией подсоединить вытяжку к отводящим трубам посредством жесткой или гибкой трубы Ø150 или 120 мм (на усмотрение лица, выполняющего установку).

- При подсоединении посредством трубы Ø120 мм вставить переходной фланец **9** в выпускное отверстие корпуса вытяжки.
- Закрепить трубу соответствующими трубными зажимами. Необходимые для этого детали не входят в комплект поставки.
- Снять, если имеются, угольные фильтры, предотвращающие появление запахов.

## • ИСПОЛНЕНИЕ С РЕЖИМОМ РЕЦИРКУЛЯЦИИ (ПО ЗАКАЗУ)

- Вставить фильтрующий штуцер **H** (Рис. 6).
- Установить угольные фильтры **L** (Рис. 7) и закрепить их, повернув по часовой стрелке (около 10°) до щелчка. Для демонтажа выполнить указанные действия в обратной последовательности.

## Монтаж дымоходов

- 6) Закрепить верхний дымоход **A** (Рис. 8) на скобах **C** (Рис. 2/Рис. 8), пользуясь 4 самонарезающими винтами Ø2,9 мм, поставляемыми в комплекте. Расстояние между крепежными отверстиями **X1** и **X2** определяется высотой верхнего дымохода **H**.
- 7) Приложить спереди нижний дымоход **B** (Рис. 9), раздвинув немного две боковые стороны, и вставить его затем в вытяжку (Рис. 9).

# КСПЛУАТАЦИЯ - ТЕХНИЧЕСКОЕ ОБСЛУЖИВАНИЕ

## КСПЛУАТАЦИЯ

Рекомендуется включать прибор незадолго до начала приготовления пищи и оставлять его работать еще в течение 15 минут после завершения приготовления или до тех пор, пока не будут устранены запахи.

### 1) Панель управления с выключателями

- Выключатель освещения.
- Переключатель скоростей работы
- Сигнальная лампочка работы двигателя

### 2) Панель управления с кнопками

- Кнопка включения двигателя на первой скорости. Этот режим обеспечивает воздухообмен с пониженным шумом и используется при небольшом количестве паров и дыма.
- Кнопка включения двигателя на второй скорости. Этот режим пригоден для большинства условий использования благодаря оптимальному соотношению между объемом пропускаемого воздуха и уровнем шумов.
- Кнопка включения двигателя на третьей скорости. Этот режим обеспечивает удаление максимального объема паров и дыма, даже в течение длительного времени.
- Кнопка включения освещения.

## ТЕХНИЧЕСКОЕ ОБСЛУЖИВАНИЕ

**ВНИМАНИЕ!** Прежде чем выполнять любые операции по техобслуживанию, ремонту или замене лампочек, необходимо отключить прибор от электрической сети.

### 1. Освещение

Для освещения предусмотрено две лампочки мощностью по 40 Вт. Для их замены следует выполнить описанные ниже действия (Рис.10).

Вынуть один из штырей с боковой стороны плафона. Сдвинуть стекло в сторону без штыря до освобождения противоположного конца, затем потянуть слегка книзу. Заменить лампочки и установить стекло, выполнив указанные действия в обратной последовательности.

### 2. Фильтры

Необходимо достаточно часто (с учетом режима использования вытяжки), но не реже раза в 2 месяца, снимать металлические фильтры и мыть их в теплой мыльной воде или же непосредственно в посудомоечной машине. После этого фильтры необходимо высушить и установить на свое место (угольные фильтры никогда не моются; их следует менять каждые 2 месяца).


### 3. Чистка

Для чистки внешних поверхностей вытяжки пользоваться мягкой тканью со спиртом или другими подходящими средствами, имеющимися в продаже. Не следует пользоваться абразивными составами.

**ВНИМАНИЕ!** Наличие открытого огня представляет опасность для фильтров, поэтому не рекомендуется оставлять горелку включенной без установленной сверху посуды. Необходимо выполнять операции по чистке вытяжки и фильтров, а также периодическую замену последних, следуя нашим инструкциям с тем, чтобы избежать опасности пожара.

**ВНИМАНИЕ!** Фирма-изготовитель не несет ответственности за возможный ущерб, возникший в результате недостаточного ухода за жировым фильтром (мойка каждые два месяца), невыполнения замены угольного фильтра и несоблюдения описанных выше инструкций по монтажу и подключению к электрической сети.

## Перед вводом в эксплуатацию

 Если вытяжной колпак работает в режиме вытяжки и одновременно с ним находятся в эксплуатации подключенные к дымовой трубе очаги горения

(например, нагревательные приборы, работающие на газе, масле или угле, а также проточные и другие водонагреватели), то необходимо позаботиться о притоке свежего воздуха в количестве, достаточном для поддержания горения.

Безопасная эксплуатация возможна лишь в случае, если в помещении, где находится очаг горения, давление воздуха не превышает значение равное 4 Па (0,04 мбар).

Это достигается в случае, если через незакрываемые отверстия, например, в дверях, окнах, кирпичной кладке, или благодаря другим техническим мероприятиям, как, например, взаимная блокировка или нечто подобное, к очагу может поступать воздух для поддержания горения.

## Перед вводом в эксплуатацию


Примечание: при оценке ситуации всегда следует учитывать всю вентиляционную систему квартиры. При эксплуатации таких кухонных приборов как варочная панель и газовая плита данное правило не учитывается.

Для обеспечения правильного отвода вытяжного воздуха следует руководствоваться ведомственными предписаниями.

Если вытяжной колпак эксплуатируется в режиме вентиляции (с фильтром на основе активированного угля), то в этом случае не существует никаких ограничений.

### Режим циркуляции воздуха:


- Для работы вытяжного колпака в этом режиме в него вставляется фильтр на основе активированного угля (смотрите разделы "Фильтр и техобслуживание"). Фильтр можно купить в **СПЕЦИАЛИЗИРОВАННОМ МАГАЗИНЕ** в качестве специальной принадлежности.
- С помощью вентилятора вытяжной колпак втягивает воздух вместе с чадом, образующимся на кухне, и направляет воздух, очищенный в фильтре для улавливания жира и фильтре на основе активированного угля, назад на кухню.
- Фильтр для улавливания жира задерживает твердые составляющие кухонного чада.
- Фильтр на основе активированного угля адсорбирует пахучие вещества.

 Если вытяжной колпак переключается с режима вытяжки на режим циркуляции воздуха, то вытяжное отверстие, во избежание неисправностей, должно быть закрыто (смотрите специальные принадлежности в инструкции по эксплуатации).


### Важные указания:


Данный вытяжной колпак отвечает всем требованиям соответствующих предписаний по технике безопасности.


**Ремонт вытяжного колпака** должен проводиться только силами обученных специалистов.


 Если соединительный кабель вытяжного колпака будет поврежден, то, во избежание опасных последствий, он должен быть заменен силами специалистов Службы сервиса фирмы-изготовителя или другим лицом, имеющим соответствующую квалификацию.


**Неквалифицированно проведенный ремонт может привести к тому, что пользоваться вытяжным колпаком будет опасно.**


 Электроподключение и ввод вытяжного колпака в эксплуатацию должны быть выполнены квалифицированным специалистом.

 Утилизацию упаковочного материала проводите согласно предписаниям.


 Вытяжным колпаком можно пользоваться только при вкрученной лампочке освещения.


 Никогда не пользуйтесь вытяжным колпаком без фильтра для улавливания жиров.

 Перекаленные жиры или масла могут легко воспламениться. Поэтому продукты, приготавливаемые на масле или жире (например, картофель фри), никогда нельзя оставлять без присмотра.

 Никогда не поджигайте блюда, облитые спиртными напитками, непосредственно под вытяжным колпаком.

**!** Существует опасность воспламенения фильтра для улавливания жиров!

 Монтаж и эксплуатация вытяжного фильтра над очагами горения на таком твердом топливе как уголь, дрова и пр. возможны только с ограничениями (смотрите инструкцию по монтажу).

 Газовые конфорки используйте только по назначению.



**Перед выполнением работ по чистке и уходу всегда отключайте вытяжной колпак от сети, вытаскивая вилку из розетки или выключая предохранитель.**

- При чистке фильтра для улавливания жиров следует одновременно очищать от жира детали корпуса вытяжного колпака, до которых можно добраться. В результате будет предотвращена опасность возникновения пожара и гарантирована эффективная работа колпака.
- Для протирки вытяжного колпака используйте горячий мыльный раствор или не очень сильное средство для чистки стекол.
- Никогда не соскребайте присохшие загрязнения, а отмачивайте их с помощью влажной тряпки.
- Никогда не пользуйтесь абразивными чистящими средствами или губками с царапающей поверхностью.
- Указание:** нельзя наносить на поверхность вытяжного колпака из синтетического материала спиртосодержащие средства, так как это может привести к образованию матовых пятен.

**Осторожно!** Работайте на хорошо проветриваемой кухне, не пользуясь открытым пламенем.

**⚠** Переключатель следует протирать мягкой тряпкой, смоченной в растворе средства для мойки посуды вручную. Нельзя пользоваться для чистки переключателя специальным средством для металлических поверхностей.

**Чистка поверхностей из нержавеющей стали:**

- Пользуйтесь для этой цели не очень сильным средством для чистки металлических поверхностей, без содержания абразивных составляющих.
- Проводите чистку только по направлению шлифования.

**⚠** Поверхности из нержавеющей стали нельзя чистить, используя губки с царапающей поверхностью или чистящие средства с содержанием песка, соды, кислот или хлоридов!

⚠ Отслужившие свой срок домашние приборы нельзя рассматривать как ненужный металлолом. В результате их экологичной утилизации удастся получить дорогостоящее сырье. Перед утилизацией старого вытяжного колпака его следует полностью вывести из строя.

⚠ Ваш новый вытяжной колпак перед отправкой к Вам был надежно упакован. Все материалы, из которых состоит упаковка, не наносят вреда окружающей среде и пригодны для вторичного использования. Пожалуйста, внесите свой вклад в дело защиты окружающей среды и сдайте упаковку в приемный пункт, ответственный за ее экологичную утилизацию.

Информацию о правильной утилизации Вы можете получить в торговой организации, продавшей Вам вытяжной колпак, или в органах коммунального управления по месту Вашего жительства.

⚠ Вытяжной колпак может работать как в режиме вытяжки, так и в режиме циркуляции.

⚠ Вытяжной колпак всегда следует устанавливать над варочной панелью точно посередине.

⚠ Минимальное расстояние от поверхности конфорок до нижней кромки вытяжного колпака должно составлять **650 мм**.

### **Дополнительные указания для газовых плит:**

⚠ Непременно должны соблюдаться действующие предписания по монтажу вытяжного колпака и предписания по монтажу газовых кухонных приборов, разработанные их изготовителями.

⚠ Вытяжной колпак должен быть смонтирован таким образом, чтобы только одна его сторона была расположена возле высокой стенки кухонного шкафа или стены кухни. Расстояние до стены должно быть мин. 50 мм.

⚠ **Монтаж вытяжного колпака над газовыми конфорками на расстоянии 650 мм разрешается лишь в том случае, если не будут превышать следующие значения номинальной тепловой нагрузки (Чс):**

#### □ **Газовые плиты:**

макс. нагрузка на одну конфорку 3,0 кВт,  
макс. нагрузка на все конфорки 8,3 кВт,  
макс. нагрузка на духовой шкаф 3,9 кВт.

□ **Газовые варочные панели:**  
макс. нагрузка на одну конфорку 3,9 кВт,  
макс. нагрузка на все конфорки 11,3 кВт.

#### □ **Газовые варочные панели из стеклокерамики:**

обязательность учета значений номинальной тепловой нагрузки не распространяется на закрытые газовые варочные панели из стеклокерамики.  
Непреренно соблюдайте указания изготовителя варочной панели.

⚠ Чем меньше расстояние от вытяжного колпака до конфорок, тем больше вероятность того, что внизу колпака образуются капли конденсата, обусловленные поднимающимся при приготовлении пищи паром.

⚠ Над очагом, отапливаемым твердым топливом, от которого может возникнуть пожар (например, из-за отлетающих искр), можно устанавливать вытяжной колпак лишь в том случае, если очаг накрыт **неснимаемой крышкой закрытой конструкции**, и соблюдаются соответствующие предписания местных властей. Данное ограничение не касается газовых плит и варочных панелей.

# UYARILAR - PARÇALARI

## UYARILAR

Bu cihaz **ASPIRATÖRLÜ** (havayı dışarı tahliye eden) yada **FİLTRELİ** (içerideki havayı tekrar aktive eden) model davlumbaz olarak tasarlanmıştır. Bu kılavuz içerisindeki çizimlerde ölçüler 2 farklı cihaz için verilmiştir. Bu nedenle montaj esnasında doğru çizimi dikkate aldığınızdan emin olun.

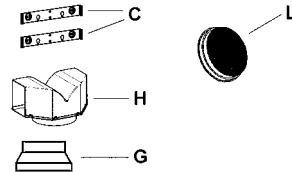
- **Tezgâh (setüstü ocak) ile davlumbazın alt kısmı arasındaki mesafe en az 650 mm olmalıdır.**
- **Davlumbazda havanın dışarı tahliye edildiği (aspiratörlü kullanım şekli) söz konusu olduğunda aşağıdaki talimatlara uyunuz.**
- **Eğer cihazın bulunduğu odada merkezi ısıtma gibi yakıtlı bir cihaz bulunuyorsa yakıt emniyetli bir şekilde odadan dışarı aktarılıyor olmalı.**
- **Davlumbaz ile elektrik enerjisinden farklı bir enerji ile çalışan cihazların aynı anda çalışır durumda oldukları mekânda iyi bir havalandırma bulunmasına dikkat ediniz; odanın negatif basıncı (vakumu) 4 atmosfer basıncını aşmamalıdır ( $4 \times 10^{-5}$  bar).**
- **Mekânda toplanan hava, elektrik dışında bir enerji ile çalışan cihazlardan çıkan dumanları tahliye eden kanala-bacaya sevk edilmemelidir.**
- **Hava tahliyesi ile ilgili olarak yerel yetki mercilerinin yönetmeliklerine uyunuz.**
- **Davlumbazın altındaki alanda serbest alev bulunmasına engel olunuz.**
- **Davlumbaz Sınıf II ye dahil izolasyona sahip olarak imal edilmiştir ve bu nedenle toprak bağlantısı gerektirmez.**
- **Tüm bakım işlemlerinden önce cihazın elektrik bağlantısını kesiniz.**
- **Bu alet, güvenliklerinden sorumlu kişiler tarafından kontrol edilmedikleri veya eğitilmedikleri sürece; fiziksel, duymusal ve zihinsel kapasitesinde kısıtlama olan (çocuklar dahil) veya aleti kullanma tecrübesi ve bilgisi olmayan kişiler tarafından kullanılamaz.**
- **Bebeklerin, aletle oynamadıklarından emin olmak için kontrol edilmeli gerekir.**

## BESLEME KABLOSUNUN ŞEBEKEYE BAĞLANMASI

Yerleştirmeden önce, şebeke geriliminin cihazın içindeki etikette belirtilen gerilime uygun olduğunu kontrol ediniz. Davlumbazın bir kablosu olmaması durumunda, besleme kablosuna, özellikler etiketinde belirtilen yüke uyarlanmış bir fiş monte ediniz; şebekeye doğrudan elektrik bağlantısı yapılması halinde, cihaz ile şebeke arasına, temaslar arasında minimum 3 mm'lik bir aralığı bulunan, yüke göre boyutlandırılmış ve yürürlükteki norma uygun çok kutuplu bir şalter yerleştiriniz

## PARÇALARI

- 2 adet tesbit braketini **C**
- 1 adet redüksiyon flanşı **G**
- 1 adet filtre rakoru **H** (isteğe bağlı)
- 2 adet aktif karbon filtresi **L** (isteğe bağlı)



# MONTAJ

Davlumbaz setüstü ocağın tam merkezine monte edilmelidir. Setüstü ocak ile davlumbazın altı arasındaki mesafe en az 650 mm olmalıdır.

Davlumbazın montajı için şu şekilde hareket ediniz:

- 1) Şekil 1'deki ölçülere uyarak 6 adet 8 mm çapında delik açınız (**X1-X2-J**).
- 2) Muhtelif parçaların montajlarında cihaz donanımındaki vidaları ve dübelleri kullanınız.
- 3) Braketleri **C** (şekil 2) duvardaki deliklere **X1-X2** tesbit ediniz.
- 4) Davlumbazı duvardaki dış deliklere **J1** ve **J2** tesbit ediniz (şekil 3).
- 5) **ASPIRATÖRLÜ** yada **FİLTRELİ** modelin montajı:

## • ASPIRATÖRLÜ

Aspiratörlü model montajında Davlumbazı çıkış borusuna seçimi montöre kalmış sert ya da esnek 150 veya 120 mm çapında bir boru ile bağlayınız.

- 120 mm çapında boru ile bağlamak istiyorsanız Redüksiyon Flanşını **9** Davlumbaz Gövdesi Çıkışına takınız.
- Boruyu uygun kelepçelerle tesbit ediniz. Bu malzeme donanımda verilmemiştir.
- Varsa Aktif Karbonlu Koku Filtrelerini çıkarınız.

## • FİLTRELİ (OPSİYONEL MODEL)

- Filtre rakorunu **H** takınız (şekil 6).
- Aktif karbonlu filtreleri **L** (şekil 7) saat yönünde (yaklaşık 10° derece) döndürüp klik sesi duyunca takıldıklarını anlayınız. Sökerken bu işlemleri tersine yapınız.

## Baca Montajı

- 6) Üst bacayı **A** (şekil 8) braketlere **C** (şekil 2 / şekil 8) donanımdaki 4 adet 2,9 mm.lik vidayı kullanarak sabitleyiniz. Tesbit vidaları arasındaki **X1 - X2** mesafesi üst bacanın boyuna **H** göre belirlenir.
- 7) Ön cepheden, yan taraflarını hafifçe açıp davlumbaza geçirmek suretiyle alt bacayı **B** (şekil 9) monte ediniz (şekil 9).

# KULLANIM - BAKIMI VE TEMİZLENMESİ

## KULLANIM

Cihazın ışık ve hız kontrolü ön kısmındaki sürgülü, elektrikli veya butonlu düğmeler yardımı ile yapılır. Bu cihaz buharı çekmek için değildir.

Cihazı pişirme başlamadan kısa süre öncesinden çalıştırmanızı ve pişirme işlemi sona erdikten sonra da koku tamamen giderilene kadar yaklaşık 15 dakika çalışır durumda bırakmanızı öneririz.

### 1) Elektrik düğmeleri bulunan kumanda paneli

- Bir adet aydınlatma düğmesi.
- Bir adet üç farklı çalışma hızı düğmesi.
- Motorun çalışmakta olduğunu gösteren uyarı lambası.

### 2) Butonlu kumanda paneli

- Motoru birinci hızda çalıştıran bir buton; son derece sessiz çalışarak hava dolaşımı sağlamasıyla mutfakta az duman açığa çıkaran kullanım türüne uygundur.
- Motoru ikinci hızda çalıştıran bir buton; temizlediği hava miktarı ile çıkardığı gürlütlü arasındaki oran mükemmel olduğundan en sık kullanım türlerine uygun çalışma şeklidir.
- Motoru üçüncü hızda çalıştıran bir buton; Uzun süreli ve çok dumanlı pişirme işlemlerinin yapıldığı türden kullanımlara uygun çalışma şeklidir.
- Bir adet aydınlatma butonu.
- Motorun çalışmakta olduğunu gösteren uyarı lambası.

### 3) Hız ayarları

- 1/ Düşük hız seviyesi: yağ eritme veya tek bir tava/tencere'de pişirme yaparken kullanılmalıdır.
- 2/ Orta hız seviyesi: 4 tava/tencere ile pişirme yaparken kullanılmalıdır.
- 3/ En yüksek hız seviyesi: kızartma yaparken veya çok keskin kokulu bir yemek pişirenken kullanılmalıdır.

## BAKIM

**Not:** Her türlü bakım, onarım ve ampul değiştirme işleminden önce, cihazla elektrik şebekesi arasındaki bağlantıyı kesiniz.

### 1. Aydınlatma

Aydınlatmayı sağlayan iki adet 40 W ampuldür. Bunları değiştirirken şu şekilde hareket ediniz (şekil 10):

Tavan lambasının kenarlarındaki iki adet pimden birini çıkarınız. Camı pimin çıkarılmış olduğu tarafa kaydırınız ve karşı ucu kurtarıp aşağı doğru hafifçe çekiniz. Ampulleri değiştiriniz ve işlemleri tersine yaparak camı takınız.

### 2. Filtreler

Davlumbazın kullanımına göre sık ya da daha uzun aralıklarla, her halükârda ayda 2 kez geçirmek suretiyle metalik filtreleri sökmek, sıcak su ve sabunla yıkamak gerekir. Bunları bulaşık makinasında da yıkamak mümkündür ve yerlerine takılmadan önce kurutulmaları lazımdır (aktif karbonlu filtreler kesinlikle yıkanmaz ve 2 ayda bir değiştirilirler).

### 3. Temizlik

Davlumbazın dış kısımlarının temizlenmesi için alkolle nemlendirilmiş bir bez ya da piyasada bulunan bu işe ait ürünler kullanılır. Aşındırıcı ve yıpratıcı ürünler kullanmayınız.

**ÖNEMLİ:** Serbest alev filtrelere zarar verir, bu yüzden ocakları üzerinde tencere olmadan açık bırakmayınız. Filtrelerin ve davlumbazın bakımı, temizliği ve değişmesi gereken filtrelerin vaktinde değiştirilmeleri yangın riskini önlemek için ihmal edilmemelidir.

**DİKKAT:** Yağ filtrelerinin gerektiği gibi bakım görmemesi (iki ayda bir yıkama), karbon filtrelerinin vaktinde değiştirilmemesi ve montaj ile elektrik bağlantılarının verilen talimatlara uygun olarak yapılmaması neticesinde gerçekleşecek olası hasar ve zararlar karşısında üretici firma hiç bir sorumluluk üstlenmeyecektir.

## İşletme türleri

### Hava çıkış modu:

- Aspiratörün fanı, mutfaktaki havayı emer ve yağ filtresinden geçirerek dışarıya atar.
- Yağ filtresi, mutfak havasındaki yağlı maddeleri tutar.
- Mutfak yağ ve kokudan hemen hemen tamamen arındırılmış olur.

✂ **Aspiratörün hava çıkış modunda kullanılması ve aynı zamanda bacaya bağlı yakma işlemi** (örn. havagazı, akaryakıt veya kömür sobaları, daimi sıcak su cihazları, sıcak su hazırlama cihazları gibi) **durumunda**, ilgili soba ve yakma cihazlarının yanması için ihtiyacı olan **yeterli hava girişi olması sağlanmalıdır**.

İlgili soba veya cihazın kurulduğu yerdeki vakum 4 Pa (0,04 mbar) değerini aşmazsa, tehlikesiz bir işletme mümkün olur.

## İşletme türleri

Örn. kapılardaki, pencerelerdeki kapatılmayan delikler ve hava giriş/çıkış duvar bağlantıları veya karşılıklı kilit sistemleri gibi başka teknik önlemler veya benzeri donanımlar sayesinde yeni yanma havası girişi sağlanırsa, söz konusu tehlikeli işletme elde edilebilir.

### **Yeterince hava girişi sağlanmazsa, geri emilen yanma gazlarından dolayı zehirlenme tehlikesi söz konusudur.**

Bir hava giriş/çıkış duvar bağlantısı tek başına sınır değere uyulmasına yetmez.

Not: Değerlendirmede daima evin tüm havalandırması dikkate alınmalıdır. Örn. ocak ve gaz ocakları gibi ocakların kullanılmasında bu kural uygulanmaz.

Eğer aspiratör dolaşimli hava modunda (aktif karbon filtresi ile) kullanılırsa, herhangi bir sınırlama olmadan işletme mümkündür.

### **Dolaşimli hava modu:**

- Bu fonksiyon için bir aktif karbon filtresi takılmalıdır (filtre ve bakım bölümüne bakınız). Aktif karbon filtresi, özel aksesuar olarak **YETKİLİ SATICI** üzerinden satın alınabilir. İlgili aksesuar numaralarını bu kullanma kılavuzunun sonunda bulabilirsiniz.
- Aspiratörün fanı, mutfaktaki havayı emer, yağ ve aktif karbon filtresinden geçirir ve temizlenmiş şekilde dışarıya atar.
- Yağ filtresi, mutfak havasındaki yağlı maddeleri tutar.
- Aktif karbon filtresi koku maddelerini tutar.

⚠ Eğer aspiratöre aktif karbon filtresi takılmazsa, mutfak buhar ve dumanındaki kokuya sebep olan maddelerinin tutulması mümkün değildir.

⚠ Aspiratör atık hava modundan dolaşimli hava moduna değiştirildiğinde, atık hava deliği kapatılarak, muhtemel bir tehlike önlenmelidir.

## İlk kez kullanmadan önce

### Önemli bilgiler:

- Bu kullanma talimatı birden fazla cihaz modeli için geçerlidir. Cihazınıza uymayan bazı donanım özellikleri tarif edilmiş olabilir.
- Bu aspiratör genel güvenlik yönetmeliklerine uygundur. Muhtemel **onarımlar** sadece yetkili elemanlar tarafından yapılmalıdır.

**Gerektiği gibi yapılmayan onarımlar, kullanıcı için önemli tehlikelere sebep olabilir.**

- ⚠ Cihaz hasarlı ise, çalıştırmayınız.
- ⚠ Cihazın çocuklar veya kişilerce kullanılması sakıncalıdır. Çocuklar yanlarında refakat eden bir yetişkin olmadan cihazı kulla-

⚠ Cihazın bağlantısı ve işletmeye alınması sadece yetkili bir eleman tarafından yapılmalıdır.

⚠ Eğer bu cihazın bağlantı hattı zarar görürse, herhangi bir tehlike oluşmasını önlemek için, bu hat cihaz üreticisi veya yetkili servis tarafından ya da aynı yetki ve olanaklara sahip başka bir uzman eleman tarafından değiştirilmelidir.

⚠ Cihazın ambalaj malzemesi gerektiği şekilde giderilmelidir (montaj talimatına bakınız).

⚠ Bu aspiratör ticari kullanım için değil, evde kullanılmak için üretilmiştir.

⚠ Aspiratörü ancak lambaları (ampulleri) takılı şekilde çalıştırınız.

⚠ Bozuk ampuller, çalışır durumdaki diğer ampullerin aşırı yüklenmesinin önlenmesi için derhal değiştirilmelidir.

⚠ Aspiratör hiçbir zaman yağ filtresi olmadan çalıştırılmamalıdır.

⚠ Aşırı ısınan katı veya sıvı yağlar çok çabuk alevlenebilir. Bunun için, örn. patates kızartması gibi katı ve sıvı yağlar ile besin hazırlarken ocağın başından ayrılmayınız.

- Yeni cihazı kullanmadan önce, lütfen kullanma talimatını itina ile okuyunuz. Kullanma talimatında kendi güvenliğiniz, cihazın kullanımı ve bakımı ile ilgili önemli bilgiler bulunmaktadır.
- Kullanma ve montaj talimatını, cihazı sonradan başka birine vereceğiniz veya satacağınız zaman yeni sahibine vermek üzere itina ile saklayınız.

⚠ Aspiratörün altında alevlenen besinler hazırlamayınız.

! Yükselen alevlerden dolayı yağ filtresinin yanma tehlikesi söz konusudur.

⚠ Ocakların üzerinde daima uygun kaplar olmalıdır.

⚠ Aspiratörün katı yakıt maddesi (kömür, odun ve benzeri) yakılan ocak veya sobalar üzerinde kullanılmasına sadece belli durumlarda izin verilir (montaj talimatına bakınız).

### Gaz bekleri / Gazlı ocaklar

⚠ Gaz beklerinin hepsini uzun bir süre (azam. 15 dakika) aynı anda en yüksek ısı ayarı ile çalıştırmayınız, aksi halde, cihazın dış yüzeyine dokunulunca yanma tehlikesi söz konusudur ya da aspiratör zarar görebilir. Aspiratörün bir gaz ocağı üzerine kurulup çalıştırılması halinde, eğer üç veya daha fazla gaz ocağı aynı anda açılırsa, aspiratör azami güç kademesinde çalıştırılmamalıdır.

## Temizlenmesi ve bakımı

**Elektrik fişini çekip prizden çıkararak veya ilgili sigortayı kapatarak, aspiratörün elektrigini kesiniz.**

- Yağ filtrelerini temizlerken, ulaşılabilen mahfaza parçalarındaki yağ tortularını temizleyiniz. Böylelikle yangın tehlikesi önlenmiş olur ve işlevin en iyi şekilde kalması sağlanır.
- Aspiratörü temizlemek için sıcak deterjanlı su veya keskin olmayan bir pencere temizleme maddesi kullanınız.
- Kurumuş pislikleri kazıyıp çıkarmayınız, nemli bir bez ile yumuşatınız.
- Ovalama gerektiren madde veya çizebilecek süngerler kullanmayınız.
- Bilgi:** Plastik yüzeyler için alkol (ispirto) kullanmayınız; mat yüzeyler oluşmasına sebep olabilir.

**Dikkat!** Mutfağı yeterince havalandırınız, açık ateş olmamasına dikkat ediniz.

**⚠** Kumanda tuşlarını sadece keskin olmayan bir deterjanlı su ve yumuşak, nemli bir bez ile temizleyiniz. Kumanda tuşları için paslanmaz çelik temizleme maddeleri kullanmayınız.

### **Paslanmaz çelik yüzeyler:**

- Keskin olmayan, ovalama gerektirmeyen bir paslanmaz çelik temizleme maddesi kullanınız.
- Sadece taşlama izleri yönünde temizleyiniz.

**⚠** Paslanmaz çelik yüzeyleri, çizebilecek süngerler ve kum, soda, asit veya klor ihtiva eden temizleme maddeleri ile temizlemeyiniz.

### **Alüminyum, boyalı ve plastik yüzeyler:**

- Yumuşak ve tiftiklenmeyen bir pencere bezi veya mikro elyaf bez kullanınız.
- Kuru bez kullanmayınız.
- Keskin olmayan bir pencere temizleme maddesi kullanınız.
- Tesirli, asit veya lavga ihtiva eden temizleme maddeleri kullanmayınız.
- Ovalama gerektiren maddeler kullanmayınız.



## Önemli bilgiler

⚠ Eski cihazlar değersiz çöp değildir. Çevre dostu giderme yöntemi ile değerli hammaddeler tekrar kazanılabilir. Eski cihazı gidermeden önce, eski cihazı kullanılamaz hale getiriniz.

⚠ Yeni cihazınız size sevk edilirken ambalajı sayesinde korunmuştur. Kullanılmış olan tüm malzemeler çevreye zarar vermeyen türdendir ve tekrar değerlendirilebilir. Lütfen siz de yardımcı olup, ambalajın çevreyi kirletmeyecek şekilde giderilmesini sağlayınız.

Güncel giderme yolları hakkında bilgi almak için lütfen yetkili satıcınıza veya belediye idarenize başvurunuz.

⚠ Aspiratör atık hava ve dolaşımli hava modu için kullanılabilir.

⚠ Aspiratörü daima ocağı ortalayarak monte ediniz.

⚠ Elektrikli ocak ile aspiratörün alt kenarı arasındaki asgari mesafe **650 mm**.

⚠ Yangın tehlikesi (örn. uçuşan kıvılcım) söz konusu olan, katı yanıcı madde kullanılan ocak veya sobalar üzerinde aspiratör ancak ilgili ocak veya soba üzerinde **kapalı ve sökülemeyen bir kapak** olması ve yerel yönetmeliklere uyulması şartı ile kullanılabilir. Bu sınırlama gaz bekleri ve gaz ocakları için geçerli değildir.

⚠ Aspiratör ile ocak arasındaki mesafe ne kadar az olursa, yükselen su buharından dolayı aspiratörün alt tarafında su damlacıkları oluşma ihtimali de o kadar fazladır.

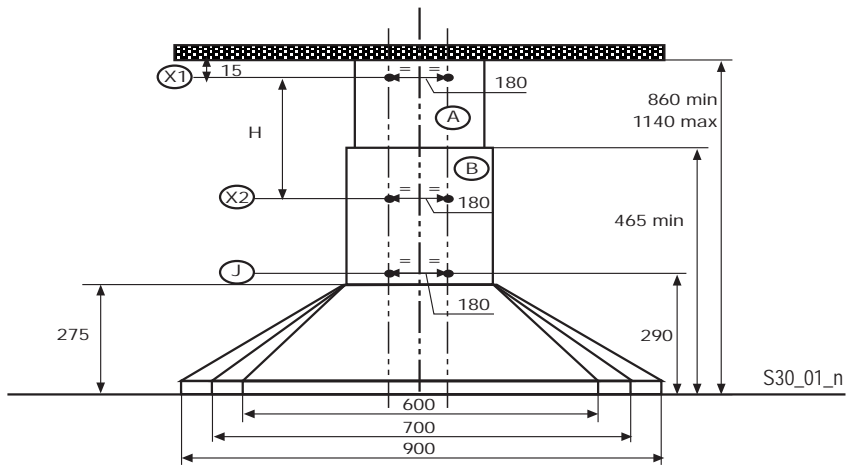
### Gaz bekli cihazlar için ek bilgiler:

⚠ Gazlı ocakların montajında yerel kanuni yönetmeliklere (örn. Almanya'da: Gaz kurulumu teknik kuralları TRG!) dikkat edilmelidir.

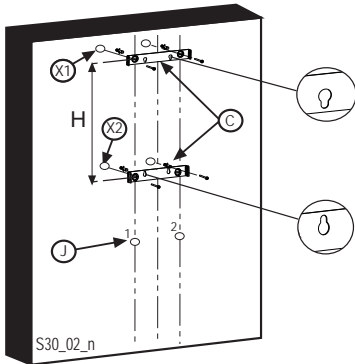
⚠ Geçerli olan ilgili montaj kurallarına ve gazlı cihaz üreticisinin montaj bilgilerine dikkat edilmelidir.

⚠ Aspiratörün kurulacağı yerde sadece bir tarafta bir yüksek dolap veya duvar olabilir. Mesafe asg. 50 mm olmalıdır.

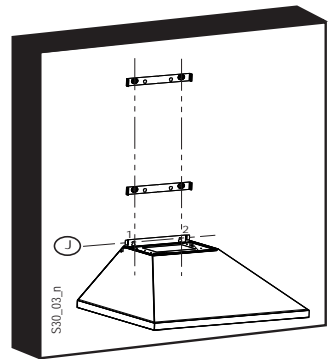
⚠ Gazlı ocaklarda, ocağın tencere konulan ızgarasının üst kenarı ile aspiratörün alt kenarı arasındaki asgari mesafe: **650 mm**.



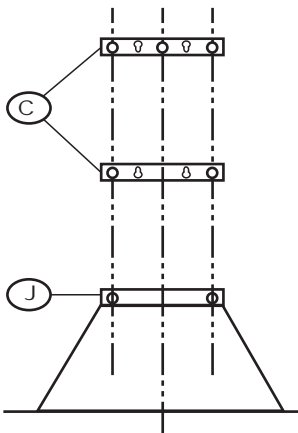
1



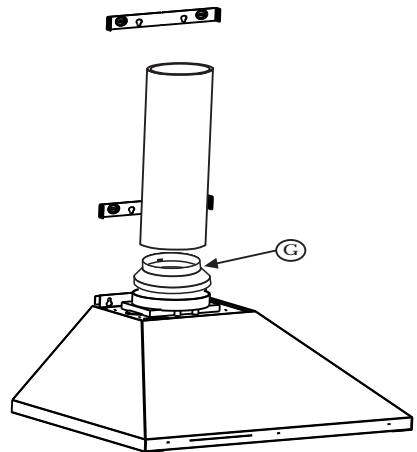
2



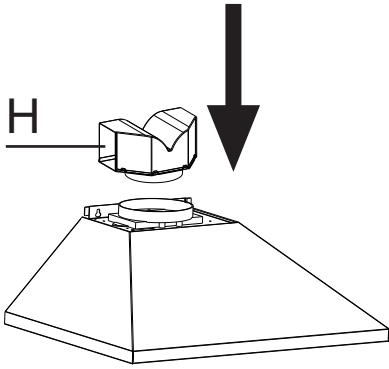
3



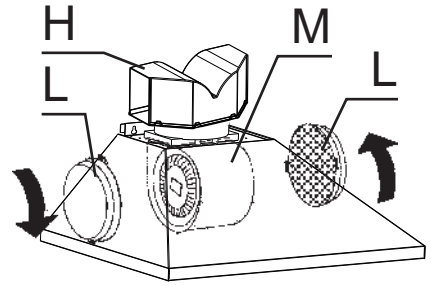
4



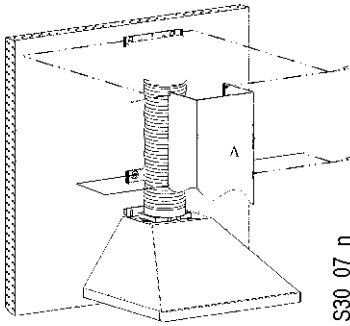
5



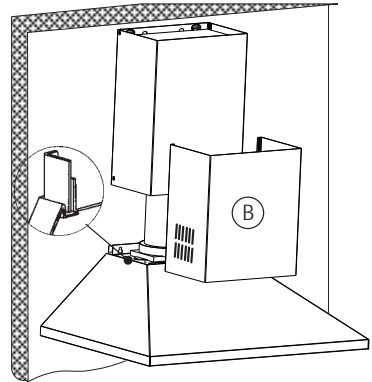
6



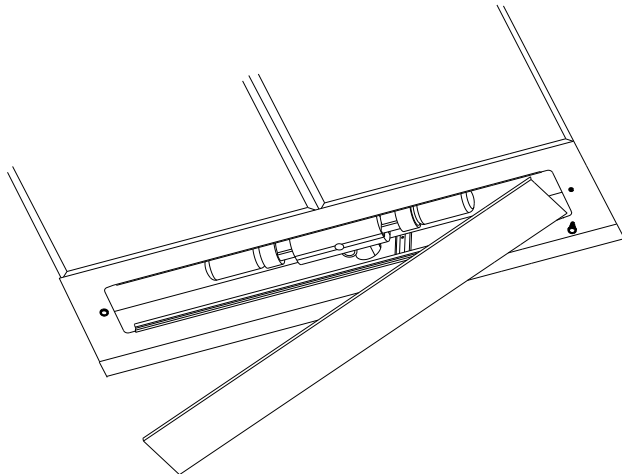
7



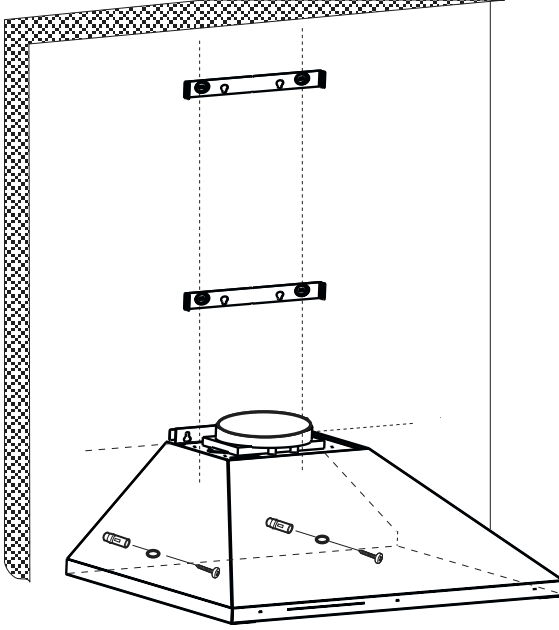
8



9



10



The customer should hang up the hood completely and should at last drill through the hood and the 10mm hole an 8mm hole in the wall. In this 8mm hole he can put a peg and than tighten a screw.

Montajın son aşaması olarak duvara ürünün içinden 8mm çapında resimde gösterildiği gibi iki delik delinir ve dübeller takılır. Daha sonra vida ve rondela ile ürün sabitlenir.

---

## Notes

---

---

## Notes

---

**DİKKAT**

Garanti süresinin anlaşmazlık durumunda fatura tarihi esas alınacağından bu belge ile birlikte faturanın veya okunaklı fotokopisinin saklanması gereklidir.

**YETKİLİ SATICI****BSH EV ALETLERİ SANAYİ ve TİCARET A.Ş**

İMZA VE KAŞESİ :

**MALIN**

CİNSİ : DAVLUMBAZ

MARKASI : BOSCH

MODELİ :

BANDROL VE SERİ NO :

TESLİM TARİHİ VE YERİ :

AZAMİ TAMİR SÜRESİ :

KULLANIM SÜRESİ : 10 YIL (Ürünün fonksiyonunu yerine getirebilmesi için gerekli yedek parça bulundurma süresi)

Üretici Firma :  
Flaminia Aspirator İmalat ve Ticaret A.Ş  
Manisa-Muradiye  
Karayolu 7.km Muradiye/Manisa

**SATICI FİRMANIN**

ÜNVANI :

ADRESİ :

TELEFONU :

TELEFAKSI :

TARİH/İMZA/KAŞE

No.GB

Tüketici Danışma Hattı  
444 63 33

- Cihazınız; kullanma kılavuzunda gösterildiği şekilde kullanılması ve yetkili kıldığımız teknik servis elemanları dışındaki şahıslar tarafından bakım, onarım veya başka bir nedenle müdahale edilmemiş olması şartıyla bütün parçaları dahil olmak üzere tamamen malzeme, işçilik ve üretim hatalarına karşı **İMİŞTİR.**
- Arızaların giderilmesi konusunda uygulanacak teknik yöntemlerin tespiti ile değiştirilecek parçaların saptanması tamamen firmamıza aittir.
- Malın tesliminden sonraki yükleme boşaltma ve sevkiyat anında meydana gelecek arızalar garanti kapsamı dışındadır.
- Belge üzerine tahrifat yapıldığı, cihazın üzerindeki orjinal seri numarası kaldırıldığı veya tahrifat yapıldığı takdirde garanti geçersizdir.

- 1- Garanti süresi malın teslim tarihinden itibaren başlar ve 2 yıldır.
- 2- Malın bütün parçaları dahil olmak üzere tamamı firmamızın garantisini kapsamındadır.
- 3- Malın garanti süresi içerisinde arızalanması durumunda, tamirde geçen süre garanti süresine eklenir. Malın tamir süresi en fazla 30 iş günüdür. Bu süre, mala ilişkin arızanın servis istasyonuna, servis istasyonunun olmaması durumunda, malın satıcısı, bayi, acentası, temsilciliği, ithalatçısı veya imalatçısından birisine bildirim tarihinden itibaren başlar. Sanayii malının arızasının 15 işgünü içerisinde giderilememesi halinde imalatçı veya ithalatçı malın tamiri tamamlanıncaya kadar benzer özelliklere sahip başka bir sanayiye malını tüketicinin kullanımına tahsis etmek zorundadır.
- 4- Malın garanti süresi içerisinde, gerek malzeme ve işçilik gerekse montaj hatalarından dolayı arızalanması halinde, işçilik masrafı, değiştirilen parça bedeli yada başka herhangi bir ad altında hiç bir ücret talep etmeksizin tamiri yapılacaktır.
- 5- Tüketicinin onarım hakkını kullanmasına rağmen malın;
  - Tüketicieye teslim edildiği tarihten itibaren, belirlenen garanti süresi içinde kalmak kaydıyla, bir yıl içerisinde; aynı arızanın ikiden fazla tekrarlanması veya farklı arızaların dörtten fazla meydana gelmesi veya belirlenen garanti süresi içerisinde farklı arızaların toplamının altıdan fazla olması unsurlarının yanı sıra, bu arızaların maldan yararlanamamayı sürekli kılmaması,
  - Tamiri için gereken azami sürenin aşılması,
  - Firmanın servis istasyonunun, servis istasyonunun mevcut olmaması halinde sırasıyla satıcısı, bayi, acentası, temsilciliği, ithalatçısı veya imalatçı-üreticisinden birisinin düzenleyeceği raporla arızanın tamirinin mümkün bulunmadığının belirlenmesi, durumlarında, tüketici malın ücretsiz değiştirilmesini, bedel iadesi veya ayıp oranında bedel indirimi talep edebilir.
- 6- Malın kullanma kılavuzunda yer alan hususlara aykırı kullanılmasından kaynaklanan arızalar garanti kapsamı dışındadır.
- 7- Garanti belgesi ile ilgili olarak çıkabilecek sorunlar için Sanayi ve Ticaret Bakanlığı, tüketicinin ve Rekabetin Korunması Genel Müdürlüğü'ne başvurulabilir.

Bu Garanti Belgesinin kullanılmasına; 4077 sayılı Tüketicinin Korunması Hakkında Kanun ve bu Kanun'a dayanılarak yürürlüğe konulan Garanti Belgesi Uygulama Esaslarına Dair Tebliğ uyarınca, T.C. Sanayi ve Ticaret Bakanlığı Tüketicinin ve Rekabetin Korunması Genel Müdürlüğü tarafından izin verilmiştir.

**Bu ürün BOSCH için BSH Ev Aletleri Sanayi ve Ticaret A.Ş. tarafından ithal edilmektedir.**

**BSH Ev Aletleri Sanayi ve Ticaret A.Ş. bir BOSCH UND SIEMENS HAUSGERÄTE GMBH kuruluşudur.**

**BSH EV ALETLERİ SANAYİ ve TİCARET A.Ş.**

**Sanayi ve Ticaret Bakanlığı**

Çakmak Mah. Balkan Cad. No. 51

Garanti Belgesi

34770 Ümraniye/İSTANBUL

Belge Numarası : 1662

Tel. : 0216 528 92 02 Fax :0216 528 91 88

Belge Onay Tarihi : 25.09.2002