

INSTALLATION INSTRUCTIONS
DUAL-FUEL SLIDE-IN RANGE

NOTICE D'INSTALLATION
SURFACE DE CUISSON À BI-COMBUSTIBLE

INSTRUCCIONES DE INSTALACIÓN
ESTUFA DESLIZANTE DE DOBLE COMBUSTIBLE



BOSCH

Invented for life

Table of content

Important Safety Instructions	3
Preparation	6
Procedure	9
Installation of anti-tip bracket	9
Apply Foam Tape	9
Install Backwall Trim (Optional)	9
Connect Electric	9
Connect Gas Supply	12
Test the Installation	14
Test for Gas Leaks	14
Test Rangetop Burners	14
Test Oven Burners	14
Adjust the Flame	15
Service	16

Table des matières

Consignes de sécurité importantes	17
Préparation	20
Procédure	24
Installation de l'étrier anti-bascule	24
Application du ruban en mousse	24
Installation de la garniture du mur arrière (optionnelle)	24
Raccordement électrique	24
Raccordement de l'alimentation en gaz.....	27
Vérification de l'installation	29
Vérifier les fuites de gaz.....	29
Vérifier les brûleurs de la surface de cuisson	29
Vérifier les brûleurs du four	29
Ajuster la flamme	30
Dépannage	31

Índice

Instrucciones de seguridad importantes	32
Preparación	35
Procedimiento	39
Instalación del soporte anticaídas	39
Aplicar cinta de espuma	39
Instalar la moldura de pared trasera (opcional)	39
Conectar la electricidad	39
Conectar la alimentación de gas.....	42
Probar la instalación	45
Realizar una prueba de fugas de gas	45
Probar las hornillas de la parrilla	45
Probar las hornillas del horno.....	45
Ajustar la llama	46
Servicio técnico	47

⚠ Important Safety Instructions

READ AND SAVE THESE INSTRUCTIONS

PLEASE READ ALL INSTRUCTIONS BEFORE USING THIS APPLIANCE.

⚠ WARNING

If the information in this manual is not followed exactly, a fire or explosion may result causing property damage, personal injury or death.

Do not store or use combustible materials, gasoline or other flammable vapors and liquids in the vicinity of this or any other appliance.

⚠ WARNING

WHAT TO DO IF YOU SMELL GAS:

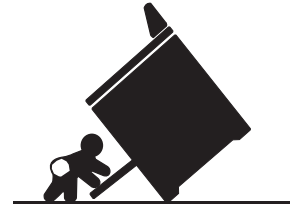
- Do not try to light any appliance.
- Do not touch any electrical switch.
- Do not use any phone in your building.
- Immediately call your gas supplier from a neighbor's phone. Follow the gas supplier's instructions.
- If you cannot reach your gas supplier, call the fire department.

Installation and service must be performed by a qualified installer, authorized service agency or the gas supplier.

⚠ WARNING

TIP OVER HAZARD!

A child or adult can tip the range over and be killed. Verify that the anti-tip bracket is securely



installed. Ensure the anti-tip bracket is engaged when the range is moved.

Do not operate the range without the anti-tip bracket in place. Failure to follow the instructions in this manual can result in death or serious burns to children and adults.

Check for proper installation and use of anti-tip bracket

Carefully tip range forward pulling from the back to ensure that the anti-tip bracket engages the range leg and prevents tip-over. Range should not move more than 1" (2.5 cm).

Questions?

1-800-944-2904

www.boschappliances.com

We look forward to hearing from you!





Important Safety Instructions

READ AND SAVE THESE INSTRUCTIONS

Before installing, turn **power OFF** at the service panel. Lock service panel to prevent power from being turned ON accidentally.

Remove all tape and packaging before using the range. Destroy the carton and plastic bags after unpacking the range. Never allow children to play with packaging material.

Never modify or alter the construction of a range by removing leveling legs, panels, wire covers, anti-tip brackets/screws, or any other part of the product.

Do not repair or replace any part of the appliance unless specifically recommended in the manuals.

All other servicing should be done by a qualified technician. This may reduce the risk of personal injury and damage to the range.

To eliminate the risk of burns or fire by reaching over heated surface units, cabinet storage space located above the surface units should be avoided. If cabinet storage is to be provided, the risk can be reduced by installing a hood that projects horizontally a minimum of 5" (12.7 cm) beyond the bottom of the cabinet.

Verify that cabinets above the cooktop are a maximum of 13" (330 mm) deep.

Do not lift door by door handle. Remove the door for easier handling and installation. See Section "Removing Oven Door" in Use and Care manual.

It is the responsibility of the owner and the installer to determine if additional requirements and/or standards apply to specific installations.

Electric Safety

Before you plug in an electrical cord, be sure all controls are in the OFF position.

Be sure your appliance is properly installed and grounded by a qualified technician in accordance with the National Electrical Code ANSI/NFPA 70 latest edition and local electrical code requirements. (In Canada, installation must be in accordance with the CAN 1-B149.1 and .2 Installation Codes for Gas Burning Appliances and/or local codes).

Important: Local codes vary. Installation, electrical connections and grounding must comply with all applicable codes.

For appliances equipped with a cord and plug, **do not cut or remove the ground prong.** It must be plugged into a matching grounding type receptacle to avoid electrical shock. If there is any doubt as to whether the wall receptacle is properly grounded, the customer should have it checked by a qualified electrician.

If required by the National Electrical Code (or Canadian Electrical Code), this appliance must be installed on a separate branch circuit.

Only a power-supply cord kit **rated for this appliance and marked "for use with ranges"** shall be used.

Installer – show the owner the location of the circuit breaker or fuse. Mark it for easy reference.

Important – Save these instructions for the local electrical inspector's use.

Installation, electrical connections and grounding **must comply** with all applicable codes.

Gas Safety

Install a gas shutoff valve near the appliance. It must be easily accessible in an emergency.

Leak testing must be conducted by the installer according to the instructions in this manual.

The appliance and its individual shutoff valve must be disconnected from the gas supply piping system during any pressure testing at pressures in excess of ½ psi (3.5 kPa).

The appliance must be isolated from the gas supply piping system by closing its individual manual shutoff valve during any pressure testing of the gas supply piping system at test pressures equal to or less than ½ psi (3.5 kPa)

The minimum supply pressure must be 1 inch water column above the manifold pressure printed on the data plate

The maximum supply pressure must not exceed 14 inches water column (34.9 Millibars).

Do not store or use combustible materials, gasoline or other flammable

vapors and liquids in the vicinity of this or any other appliance

Important Safety Instructions

READ AND SAVE THESE INSTRUCTIONS

This appliance has been **CSA certified for safe operation** up to a height of 10,000 ft. without any modifications. Exception: For use with propane the appliance must be converted per the LP conversion instructions.

For Massachusetts Installations:

1. Installation must be performed by a qualified or licensed contractor, plumber or gas fitter qualified or licensed by the state, province or region where this appliance is being installed.
2. Shutoff valve must be a "T" handle gas cock.
3. Flexible gas connector must not be longer than 36" (91.4 cm).

Propane Gas Installation

The propane gas tank must be equipped with its own high pressure regulator. In addition, the regulator supplied with this unit must also be used.

The appliance is shipped from the factory for use with natural gas. It must be converted for use with propane. A qualified technician or installer must do the conversion.

Install only per installation instructions included in the literature package for this range.

Ask your dealer to recommend a qualified technician and an authorized repair service.

Do not store items of interest to children in the cabinets above the range or on the backguard of a range. Children climbing on the range to reach items could be seriously injured.

CAUTION

Unit is heavy and requires at least two persons or proper equipment to move.

Hidden surfaces may have sharp edges. Use caution when reaching behind or under appliance.

Do not use the oven or warming drawer (if equipped) for storage.

This appliance has been tested in accordance with the following standards:

- ANSI Z21.1 - Household Cooking Gas Appliances
- UL 858 - Household Electric Ranges
- CAN/CSA C22.2 No. 61 - Household Cooking Ranges

Preparation

Parts provided:

- Anti-Tip Bracket
- 2 wood screws
- 2 anchorless concrete screws
- Foam Tape
- Terminal Lugs (For Use With Hard Wire Installations)

Note: not necessary for Canadian installations

Tools and parts needed:

- Range Power Supply Cord Kit (240V -30 Amp)*
- Measuring Tape
- Phillips Head Screwdriver
- 1-¼" Wrench
- Pencil
- T-20 Torx Screwdriver
- Level
- Drill and Drill Bit (3/16" masonry bit for concrete screws)
- Soapy Water
- Pipe Wrench
- Teflon® Tape**
- Channel Lock Pliers
- Gas Leak Test Solution
- Gas Supply Line
- Gas Shut Off Valve
- Safety Gloves and Goggles
- Tape (Optional)
- Cloth or Cardboard (Optional – to Protect Floor)

* Not needed for Canadian installations Canadian units are shipped with the power cord already installed.

** Teflon is a registered trademark of DuPont

Additional Parts Needed For Hard Wire Installations

- Flexible Conduit (For Hard Wire Installation Only)
- Torque Wrench (For Hard Wire Installation Only)

Note: Power Supply Cord Kit Not Necessary For Hard Wire Installations

General Information

Overall Dimensions

Dimension	Inches	Centimeters
Height	36"	91.44 cm
Width	31"	78.74 cm
Depth	25 5/8"	65.09 cm

Level

For best results, cabinets, countertops walls and floors in the installation location should be as level and plumb as possible. Variance may cause damage to countertops and floors during installation, could jeopardize the seal around the cooktop and may adversely affect cooking and baking performance.

Prepare Unit

Remove all packaging material and discard

WARNING

Remove all tape and packaging before using the appliance. Destroy the packaging after unpacking the appliance. Never allow children to play with packaging material.

Tips:

Place the range on a piece of the cardboard to protect floors.

Remove drawer and set aside

1. Pull drawer all the way out.
2. Locate locking clips on the rails, one on each side.
3. Push up on the clip on the left rail. Pull the drawer out until clip locks into place.
4. Push down on the clip on the right rail. Pull the drawer out until clip locks into place.
5. Pull the drawer straight out and set aside.
6. Push rails into range.

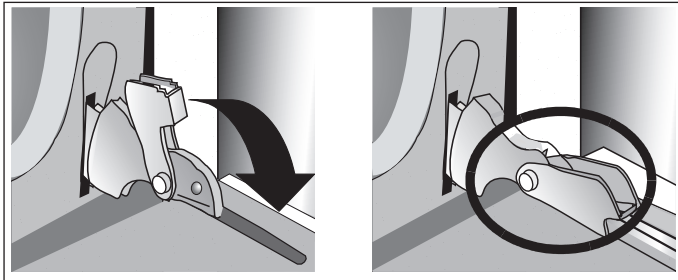
Remove oven door and set aside

WARNING

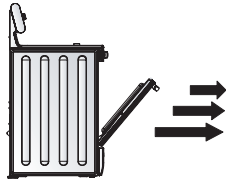
When removing the door:

- Make sure oven is cool and power to the oven has been turned off before removing the door. Failure to do so could result in electrical shock or burns.
- The oven door is heavy and fragile. Use both hands to remove the oven door. The door front is glass. Handle carefully to avoid breaking.
- Grasp only the sides of the oven door. Do not grasp the handle as it may swing in your hand and cause damage or injury.
- Failure to grasp the oven door firmly and properly could result in personal injury or product damage.
- To avoid injury from hinge bracket snapping closed, be sure that both levers are securely in place before removing door. Also, do not force door open or closed - the hinge could be damaged and injury could result.

1. Be sure to read the above WARNING before attempting to remove oven door.
2. Open the door all the way.
3. Flip levers on hinges (one on each side) toward you.



4. Close the door until it stops. It will be about halfway open.



5. Holding the door firmly on both sides and using both hands, pull the door straight out of the hinge slots. Hold firmly, the door is heavy.
6. Place the door in a stable location.

Electrical Requirements

Refer to data plate for more information. See “Product Data Plate” on page 16 for data plate location.

We recommend that the range be installed with a power cord set (not supplied). The electrical rating of the power cord set must be 120/240 volt, 30 amperes minimum. The power cord set shall be marked “For Use with Ranges.” Always use a new power cord.

Note: In Canada, the range is shipped from the factory with the range cord already installed.

Ranges are dual rated for use on either 120/240 VAC or 120/208 VAC. Check the data plate for the kW rating. Reference the kW rating in the table below to determine amperage requirements.

Electrical Specifications

VOLTS A.C.	HZ	RATING KW	CIRCUIT BREAKER
120/240	60	6.2	30 AMPS
120/208	60	4.8	30 AMPS

The electrical outlet must be located in the shaded space shown on the figure in the next column.

Verify that wiring to house is adequate

Contact your local utility company to verify that the present electric service to your home is adequate. In some instances, the size of the wiring to the house and service switch must be increased to handle the electrical load demanded by the range.

Most wiring codes require a separate circuit with separate disconnect switch and fuses either in the main entrance panel or in a separate switch and fuse box.

The range requires a minimum of a three wire 120/240 or 120/208 volt, 30 AMP, 60 Hz AC circuit. Check local codes for proper amperage ratings. A four wire connection is preferred.

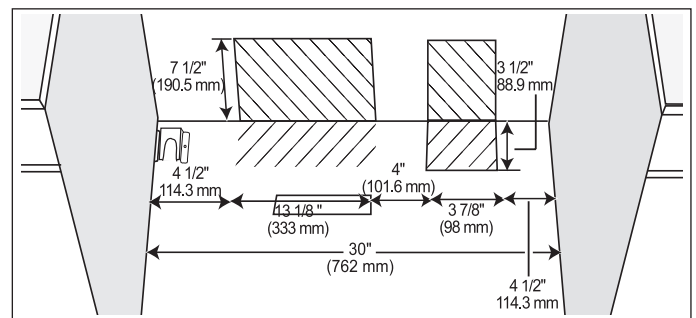
Most local building regulations and codes require that electrical wiring be done by licensed electricians. Be sure to install your range according to the electric codes in place in your region.

Gas Requirements

⚠ CAUTION

Make certain that gas shutoff valve and all burner controls are in the **OFF** position before beginning.

Shut off main gas supply valve before disconnecting the old range and leave it off until the new hook-up has been completed. **Don't forget to relight the pilot on other gas appliances when you turn the gas back on.**



If not already present, install gas shut off valve in an easily accessible location.

Make sure all users know where and how to shut off the gas supply to the range.

Note: The installer should inform the consumer of the location of the gas shutoff valve.

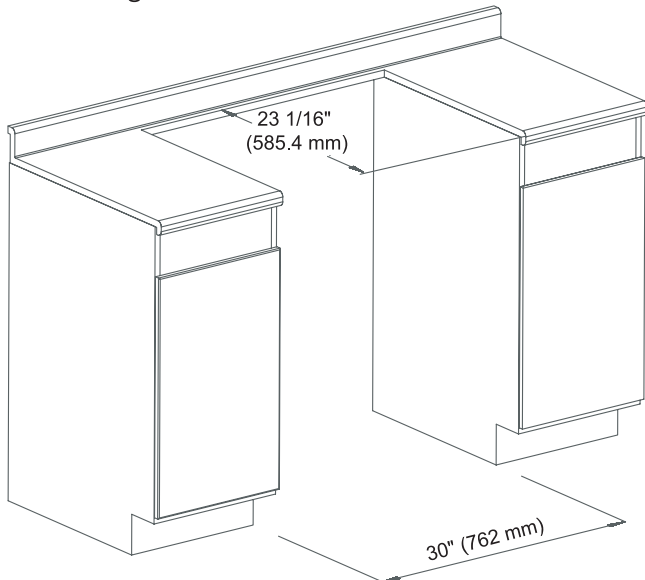
Important note for LP users

The range is shipped from the factory for use with natural gas. For use with propane (LP) gas, your range must first be converted using the LP conversion kit.

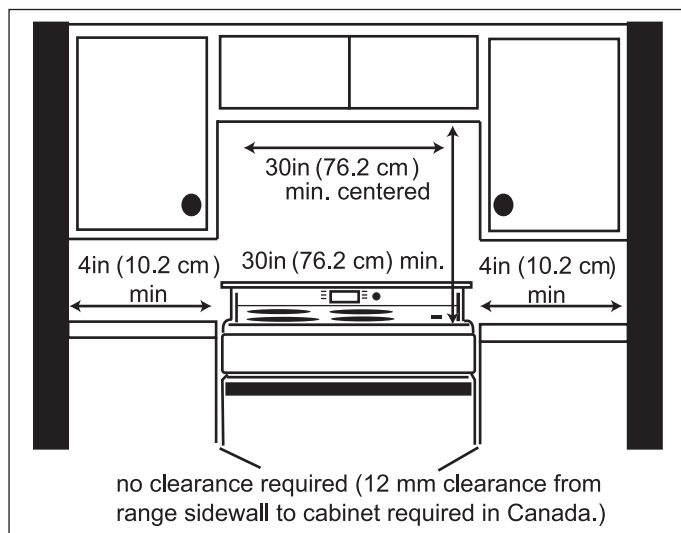
Cabinet Requirements

This unit is designed for installation near adjacent walls and projecting surfaces constructed of combustible materials. Prepare the countertop and cabinets.

Allow a minimum of 30" (76.2 cm) between cabinets where range is to be installed.



Note: The slide-in range can also replace a free-standing range. In this case, verify that the opening is at least 30" (76.2 cm).



Install Ventilation

Bosch strongly recommends the installation of a ventilation hood above this range. For most kitchens a certified hood rating of not less than 300 CFM is recommended. The range hood must be installed according to instructions furnished with the hood.

Note: The appliance should not be installed with a ventilation system that blows air downward toward the burners. This type of ventilation system may cause ignition and combustion problems with the gas cooking appliance resulting in personal injury or unintended operation.

Required Clearance¹

⚠ WARNING

To eliminate the risk of burns or fire by reaching over heated surface units, cabinet storage space located above the surface units should be avoided. If cabinet storage is to be provided, the risk can be reduced by installing a hood that projects horizontally a minimum of 5" (12.7 cm) beyond the bottom of the cabinet.

From cooktop to materials above: There must be a minimum clearance of 30" (76.2 cm) between the top of the cooking surface and the bottom of an unprotected wood or metal cabinet.

24" (61 cm) is acceptable when the bottom of the wood or metal cabinet is protected by (a) not less than ¼" (6.4 mm) of flame retardant material which must be covered with (b) not less than No. 28 MSG sheet metal, 0.015" (0.4 mm) stainless steel¹ or 0.024" (0.6 mm) aluminum or copper.

From range walls to adjacent materials: Cabinet Preparation. No clearance is required from unit walls to adjacent vertical combustible walls on rear, right or left.

Clearance from range top to adjacent vertical walls must be at least 4" (10.2 cm).

Note: Some cabinet finishes cannot survive the temperatures allowed by safety standards, particularly self-cleaning ovens; the cabinets may discolor or stain. This is most noticeable with laminated cabinets.

Prepare Walls and Floor

Seal any holes in the walls or floor. Remove any obstructions (extra electrical or gas connections, etc.) so that range will rest against wall properly.

Countertop Requirements

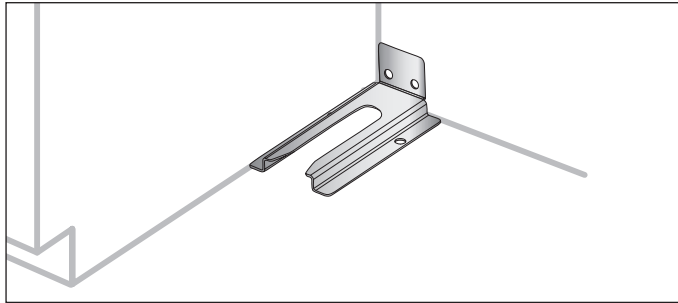
Countertops must be smooth and level.

¹ Instructions were determined using standard American cabinets. Standard base cabinets measure 36" (91.4 cm) high x 24" (61 cm) deep. Cabinets over the cooking surface and cabinets adjacent to those over the cooking surface measure 13" (33 cm) deep from backwall. If nonstandard cabinets are used, care should be taken to alter dimensions accordingly.

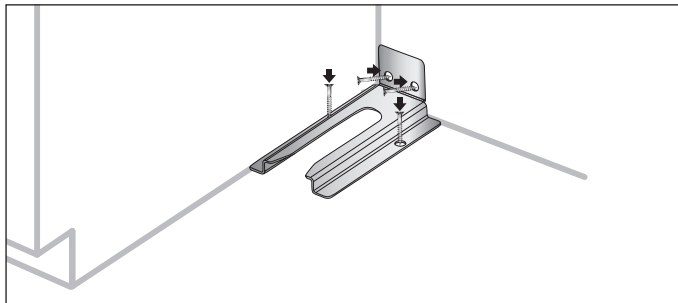
Procedure

Installation of anti-tip bracket

1. Adjust height of range and level by rotating the adjustable leg supports on the bottom of the range, using 1-1/4" (32 mm) wrench.
2. Locate bracket position as shown below.



3. Secure bracket with 2 screws to the floor or to the wall. Depending on floor or wall material use wood or anchorless concrete screws (included). Concrete screws require a 3/16" masonry bit. Screws should provide firm attachment into solid wood or flooring. Do not attempt to anchor into drywall.



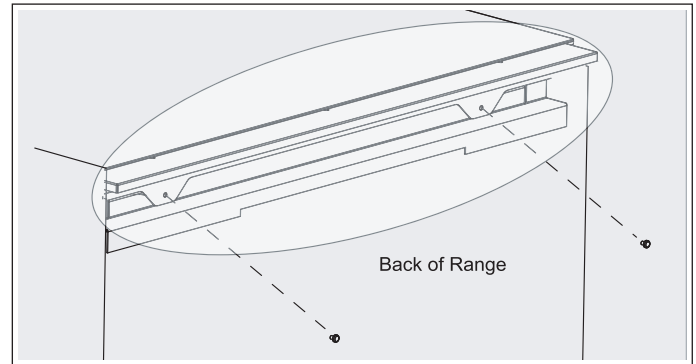
Apply Foam Tape

Apply foam tape to underside of cooktop trim in one continuous piece.

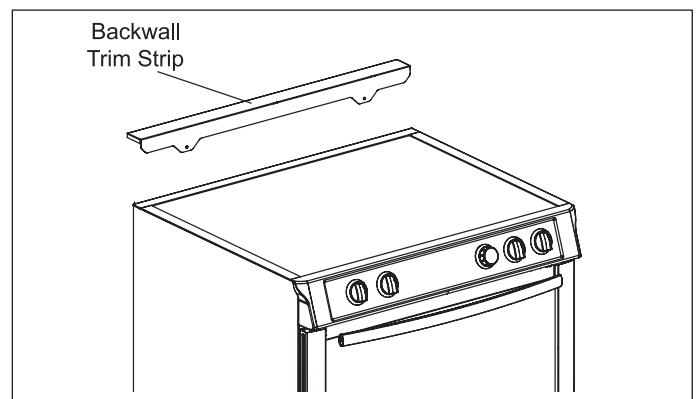
Install Backwall Trim (Optional)

Note: This step is only required if the countertop does not connect behind the range (i.e.; when replacing a free-standing range). If backwall trim and attachment screws are required, they may be ordered from the service center by calling 800-944-2904 at no charge for up to one year after purchase date of your Slide-In Range. When ordering, refer to Service Backwall Trim Kit part no. 652010.

Install 2 screws through holes in trim and in range backwall.



Install Backwall Trim Strip



Connect Electric

There are two possible electrical connections:

1. Four wire range cord
2. Three wire range cord

The four wire range cord connection is the recommended method, but where local codes permit, three wire connections are also acceptable.

Note: In Canada, the range is shipped from the factory with the range cord already installed.

For installations other than those in Canada, connect the range cord at the terminal block (See next page for detailed instructions). Access the terminal block by removing the cover in the lower right hand corner of the range back panel.

Install Strain Relief

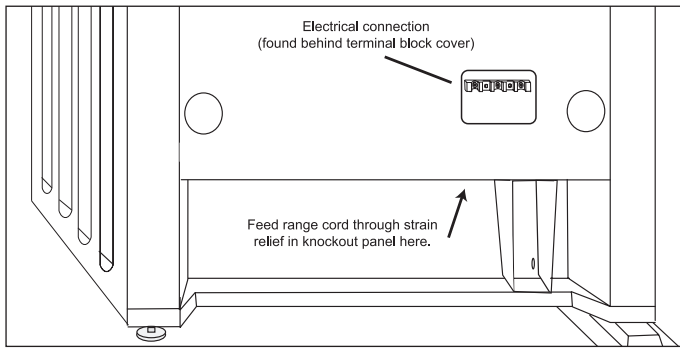
Place strain relief in knockout below terminal block.

⚠ WARNING

The strain relief provided with your range cord must be properly installed.

Strain reliefs vary. Carefully read and follow the instructions included with your strain relief.

1. In the knockout panel below the terminal block, remove the knockout that fits your strain relief.
2. Feed range cord through hole and strain relief up to terminal block. Allow for slack in the cord between the strain relief and terminal block.
3. Once cord length/slack has been adjusted, attach strain relief per instructions included with strain relief.



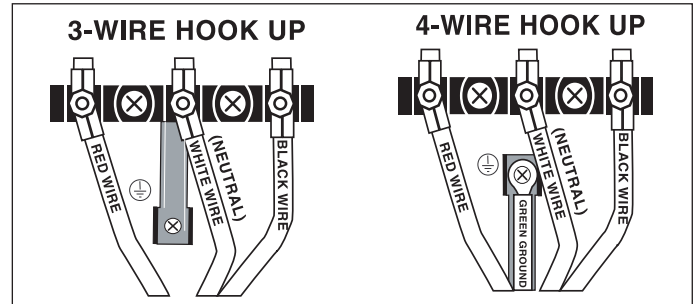
Tip: The knockout panel (below the terminal block) can be removed from the range to install the strain relief: Remove panel from range, install strain relief in panel and reattach. DO NOT remove entire range back panel.

⚠ WARNING

Risk of Electric Shock or Fire. Frame grounded to neutral through a ground strap. Grounding through the neutral conductor is prohibited for new branch-circuit installations (1996 NEC), mobile homes, and recreational vehicles, or in an area where local codes prohibit grounding through the neutral conductor.

For installations where grounding through the neutral conductor is prohibited, (a) disconnect the link from the neutral, (b) use grounding terminal or lead to ground unit, (c) connect neutral terminal to lead branch circuit neutral in usual manner (when the appliance is to be connected by means of a cord kit, use 4-conductor cord for this purpose).

Use only cord kits rated 125/250 volts (minimum), 30 amperes and labeled "For Use with Ranges". Strain relief provided with cord must be installed per instructions included with cord.

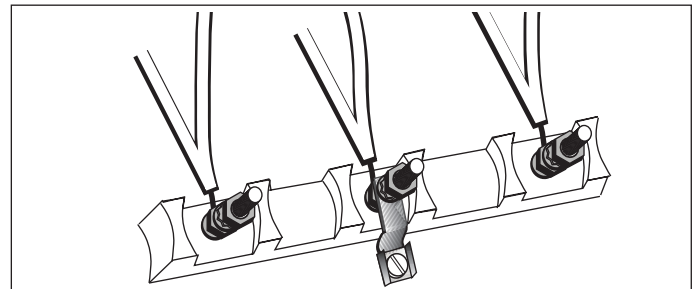


⚠ WARNING

To prevent electrical shock, the grounding prong on the range cord should not be cut or removed under any circumstances. It must be plugged into a matching grounding type receptacle and connected to a correctly polarized 240-Volt circuit. If there is any doubt as to whether the wall receptacle is properly grounded, have it checked by a qualified electrician.

Four Wire Range Cord Connection (Recommended Method)

1. Disconnect electrical power at breaker box. Remove the terminal block cover to expose the terminal block.

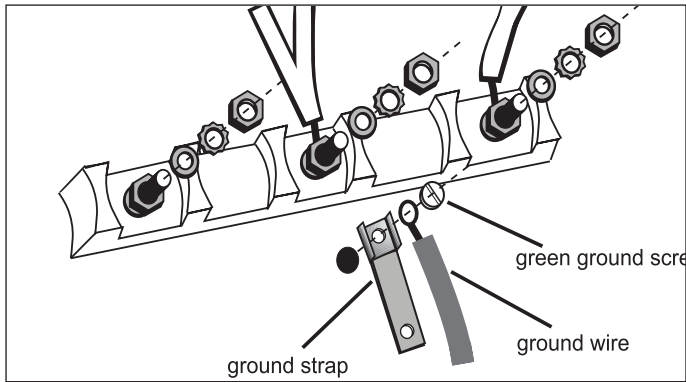


2. Remove top nut, star washer, and round washer from each post.

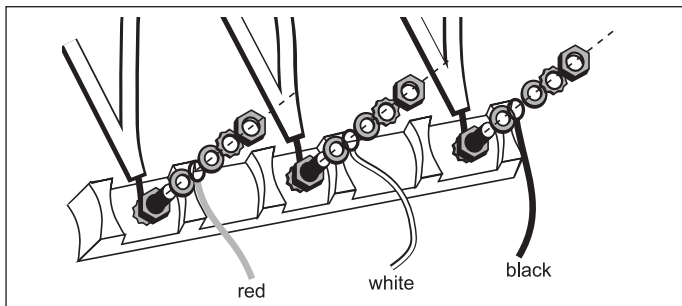
Note: DO NOT remove last round washer, last nut or internal wiring leads.

3. Remove screw from bottom end of ground strap.

- Remove ground strap from center post, rotate so that wide end is at top and attach wide end to range through hole below junction box. Attach green wire on top of ground strap. Tighten Screw.



- Attach red wire, round washer, star washer and nut IN THIS ORDER to left post.
- Attach white wire, round washer, star washer and nut IN THIS ORDER to center post.
- Attach black wire, round washer, star washer and nut IN THIS ORDER to right post.



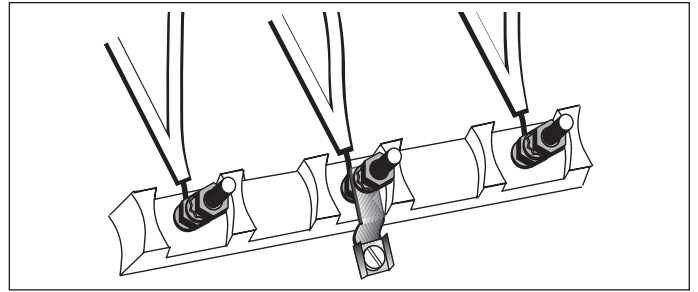
- Tighten all connections securely and replace terminal block cover.
- Properly secure strain relief (see previous section).

Note: DO NOT plug in range at this time.

Three Wire Range Cord Connection

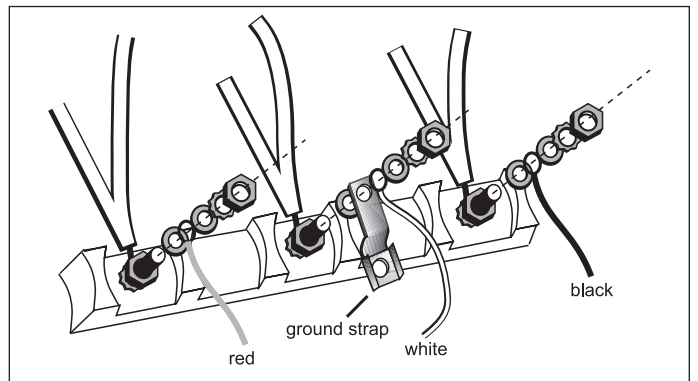
The Four Wire Connection (above) is preferred, but where local codes and ordinances permit grounding through neutral and where conversion to four wire is impractical, the unit may be connected to the power supply via a three wire connection.

- Disconnect electrical power at breaker box.
- Remove the terminal block cover to expose the terminal block.

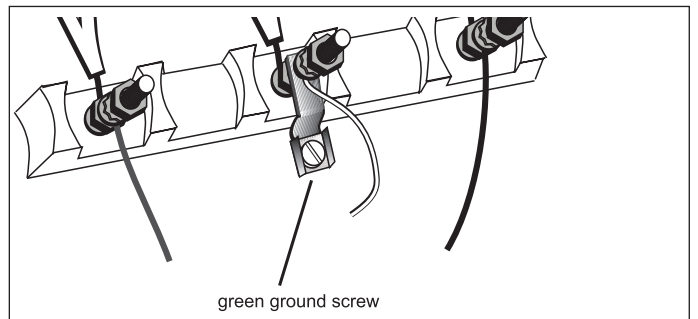


- Remove top nut, star washer, and round washer from each post.
- Note:** DO NOT remove last round washer, last nut or internal wiring leads.

- Attach white wire, round washer, star washer and nut IN THIS ORDER on top of ground strap on center post.
- Attach red wire, round washer, star washer and nut IN THIS ORDER to left post.
- Attach black wire, round washer, star washer and nut IN THIS ORDER to right post.



- Tighten all connections securely and replace terminal block cover.



- Properly secure strain relief (see previous section).

Note: DO NOT plug in range at this time.

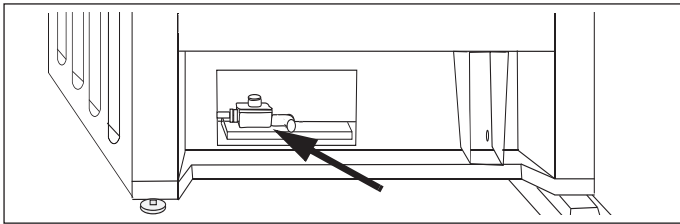
Connect Gas Supply

Shut off main gas supply valve before disconnecting the old range and leave it off until the new hook-up has been completed. Don't forget to relight the pilot on other gas appliances when you turn the gas back on.

The range can be installed using rigid pipe or a CSA International-certified flexible metal appliance connector. If using a flexible connector, always use a new connector.

Apply pipe joint compound or Teflon¹ tape appropriate for use with LP gas and Natural gas around all male pipe threads to prevent leaks.

The gas connection is located below the back panel of the range. It is accessible through the drawer access panel or from the back of the range. To reach access panel, remove drawer.

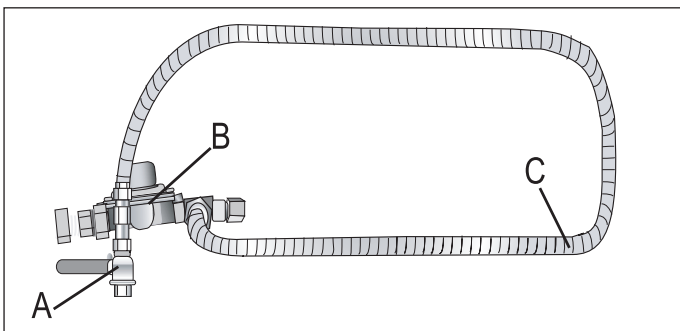


Important note for LP users: The range is shipped from the factory for use with natural gas. For use with propane (LP) gas, your range must first be converted using the LP conversion kit.

Flexible Connector Method

If using rigid pipe, skip to "Rigid Pipe Method" on page 13.

Attach Connector



Letter	Item
A	Gas Shut Off Valve
B	Regulator
C	Flexible Connector

1. Install male ½" (12.7 mm) flare adaptor at the ½" (12.7 mm) NPT internal thread of the range inlet. Use a backup wrench on the elbow fitting to avoid damage.
2. Install male ½" (12.7 mm) or ¾" (19 mm) flare union adapter on the internal thread of the manual shutoff valve.
3. Connect flexible metal appliance connector.

Plug in Range Cord

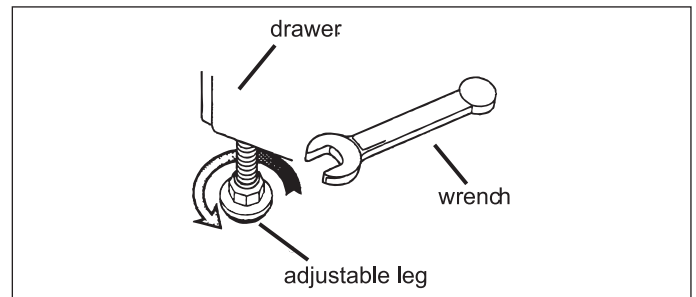
1. Make sure circuit breaker is off and then plug range cord into electrical outlet.
2. Connect flexible connector at gas inlet valve.

⚠ CAUTION

Before you plug in an electrical cord, be sure all controls are in the **OFF** position.

Adjust Leveling Legs

1. Line up range in front of opening.
2. Measure back left corner of opening from floor to top of countertop.
3. Measure back left corner of range to bottom of cooktop trim. Adjust leveling leg until this height is the same as the corner dimension.
4. Repeat in right back corner.
5. Adjust front leveling legs so that the bottom of the cooktop trim is ½" (12.7 mm) higher than the corresponding countertop surface.



Slide Range into Opening

1. Plug in power cord.
2. Slide range into opening, being careful not to damage countertops, floors, or the range drawer front. Do not apply pressure to cooktop when sliding into position. Be careful not to crimp flexible connector.

Tips:

1. If the range does not slide easily
Use soapy water to dampen the following pressure points:
 - countertop
 - foam tape
 - floor under range legs
2. Remove drawer and oven door to prevent damage
3. To prevent damage to the appliance, push on the frame around the oven cavity opening.

3. Wipe up soapy water.

Check Back of Range for Proper Installation

1. When properly installed, the cooktop trim around the back of the range will rest lightly on the countertop.
2. There should not be any gap between the countertop and the trim; however, the weight of the range must not rest on the countertop. Look under the range to verify that both back legs are resting solidly on the floor. Also verify that the left range leg is under the anti-tip bracket.

Note: When replacing a free-standing model, the backwall trim strip should be flush with the wall.

CAUTION

Verify that the weight of the range is not resting on the countertop. This could result in damage to the countertop and the appliance.

3. If the back legs are not resting solidly on the floor or the left leg is not under the anti-tip bracket, slide range out, adjust legs and slide back in.

Adjust Front of Range for Proper Installation

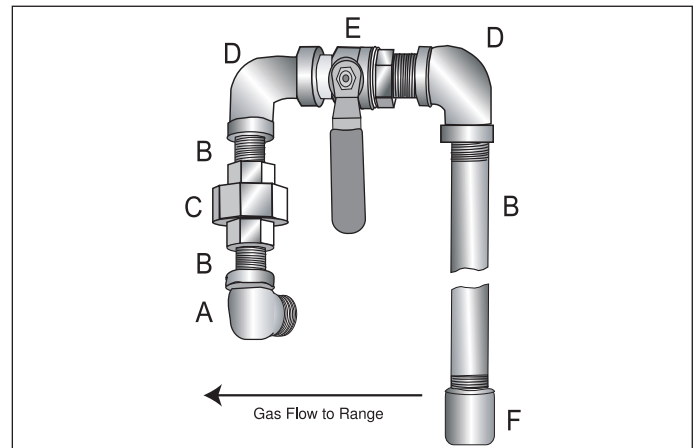
1. Adjust front leveling legs so that the cooktop trim rests snugly against the countertop all the way around.
2. Verify that both front legs are resting solidly on the floor.
3. Use a level to verify that the range is level and plumb.
4. Carefully tip range forward to ensure that anti-tip bracket engages and prevents tip-over.

The gas connection is complete. Proceed to “Test for Gas Leaks” on page 14.

Rigid Pipe Method

If using a flexible connector, return to “Flexible Connector Method” on page 12.

Attach Rigid Pipe



Letter	Item
A	Elbow; Connect to regulator here
B	Pipe Nipple
C	Union
D	Elbow
E	Gas Shut Off Valve
F	½" to ¾" Gas Pipe

The configuration of the rigid pipe connection will vary depending on the location of the gas pipe stub.

Test the Installation

Test for Gas Leaks

Leak testing is to be conducted by the installer according to the instructions given in this section.

Turn on Gas. Apply a non-corrosive leak detection fluid to all joints and fittings in the gas connection between the shut-off valve and the range. Include gas fittings and joints in the range if connections may have been disturbed during installation. **Bubbles appearing around fittings and connections indicate a leak.**

If a leak appears, turn off supply line gas shut-off valve and tighten connections. Retest for leaks by turning on the supply line gas shut-off valve. When leak check is complete (no bubbles appear), test is complete. Wipe off all detection fluid residue.

CAUTION

Never check for leaks with a flame.

Do not continue to the next step until all leaks are eliminated.

Test Rangetop Burners

Turn on power at breaker.

CAUTION

If LCD screen flashes and beeps continuously, the wiring is incorrectly installed. Verify that wiring in house is correctly installed. If so, call Bosch Service.

Test Burner Ignition. Select a rangetop burner knob. Push down and turn to the flame symbol. If the ignitor/spark module is operating correctly, it will produce a clicking sound. Once the air has been purged from the supply lines, the burner should light within four (4) seconds. After burner lights, turn knob to the off position.

Test Flame: High Setting. Turn burner on to HI. See “Checking Flame Characteristics” for appropriate flame characteristics.

If any of the burners continue to burn mostly or completely yellow, call Bosch Service.

Test Flame: Low Setting. Turn burner on to LO. Verify that the flame completely surrounds the burner.

There should be a flame at each burner port and there should be no air gap between the flame and the burner. If any of the burners do not carry over, call Bosch Service.

Test the ignition and flame of each rangetop burner as described above.

WHEN FLAME IS PROPERLY ADJUSTED:

There should be a flame at each rangetop burner port.

There should be no air gap between the flame and the burner port.

Test Oven Burners

Remove the oven bottom cover. Remove the two rear thumb screws, slide cover forward and out.

Test Bake Burner Ignition. Set the oven to bake at 350° F. After 30-75 seconds, the burner will ignite. The burner will stay lit until the 350° F is reached and then shut off. From this point forward, the burner will cycle on and off to maintain the temperature.

Test Bake Burner Flame. While the burner is lit, inspect the flame. See “Checking Flame Characteristics” for proper flame characteristics. If the flame burns completely or mostly yellow, adjust the bake burner air shutter. See “Adjust the Flame” for details.

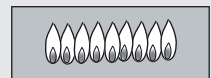
Test Broil Burner Ignition. Set cooking mode to Hi Broil. The burner will ignite after 30-75 seconds.

Test Broil Burner Flame. While the burner is lit, inspect the flame. See figure for proper flame characteristics. If the flame burns completely or mostly yellow, adjust the broil burner air shutter. See “Adjust the Flame” for details.

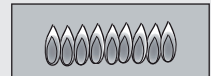
Replace oven bottom cover. Slide cover into place and replace two rear thumb screws.

Checking Flame Characteristics

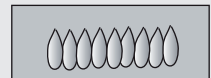
Yellow Flames:
Further adjustment is required.



Yellow Tips on Outer Cones:
Normal for LP Gas.



Soft Blue Flames:
Normal for Natural Gas.



Call Bosch Service at 800-944-2904 if:

1. Any of the burners do not light.
2. The broil burner or bake burner flame goes out before it reaches 350° F.
3. Any of the burners continue to burn yellow.

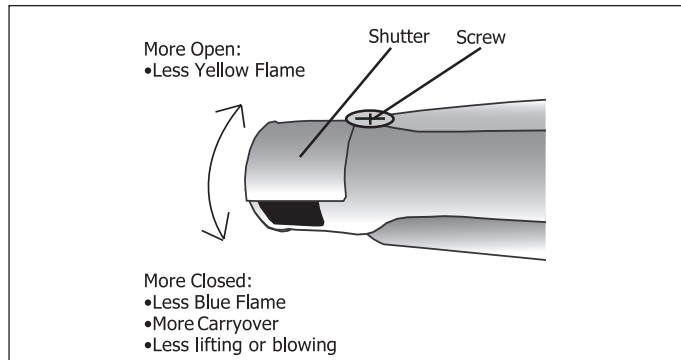
If flame adjustment is necessary, continue to “Adjust the Flame”. Otherwise, installation is complete at this point.

Adjust the Flame (if necessary)

⚠ WARNING

Allow Burner(s) to cool before attempting to remove them!

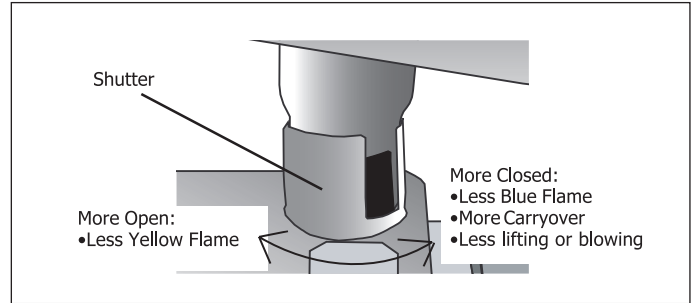
Adjust Broil Burner Air Shutter (if necessary)



The air shutter is located on the back end of the broil burner. It is attached to the top of the oven cavity with 7 screws. Remove screws and gently pull broil burner assembly straight out being careful not to detach electrical wires. Place broil burner against back wall of oven cavity. Loosen screw and turn shutter. Close the shutter if the flame is lifting or blowing or not carrying over; Open the shutter if it is too yellow. Tighten screw. Replace broil assembly being careful to feed all wires through the back of the oven. Reinsert all 7 screws.

Note: The air shutter on the broil burner fits over the orifice when installed correctly. Adjust Bake

Burner Air Shutter (if necessary)



The oven burner air shutter is located near the oven regulator. Reach it through the access hole in the interior back panel of the warming drawer (loosen screws and remove access panel). Loosen screw on shutter. Close the shutter if the flame is lifting or blowing or not carrying over; Open the shutter if it is too yellow. Tighten screw. Reattach cover plate and replace warming drawer.

Service

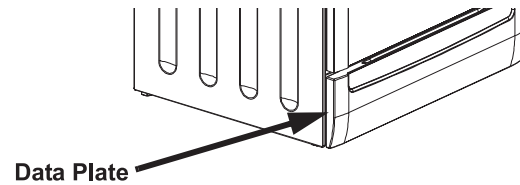
Before Calling Service

See Use and Care Manual for troubleshooting information. Refer to the Warranty in the Use and Care Manual.

To reach a service representative, see the contact information at the front of the manual. Please be prepared with the information printed on your product data plate when calling.

Product Data Plate

The data plate shows the model and serial number. Refer to the data plate on the appliance when requesting service. It is located on the frame near the drawer. Open the drawer to view it.



Consignes de sécurité importantes

LIRE ET CONSERVER CES CONSIGNES

VEUILLEZ LIRE TOUTES LES CONSIGNES AVANT D'UTILISER CET APPAREIL.

AVERTISSEMENT

Si les informations de ce manuel ne sont pas suivies à la lettre, un incendie ou une explosion peuvent se produire et entraîner des dommages matériels, des lésions corporelles ou la mort.

Ne pas ranger ou utiliser de matériaux combustibles, d'essence ou d'autres liquides et vapeurs inflammables à proximité de cet appareil ou d'aucun autre appareil.

AVERTISSEMENT

QUE FAIRE SI VOUS SENTEZ UNE ODEUR DE GAZ :

- Ne tentez pas d'allumer un appareil, quel qu'il soit.
- Ne touchez à aucun interrupteur électrique.
- N'utilisez pas les téléphones de votre immeuble.
- Téléphonnez immédiatement à votre fournisseur de gaz de chez un voisin. Suivez les instructions du fournisseur de gaz.
- Si vous ne parvenez pas à joindre votre fournisseur de gaz, appelez le service d'incendie.

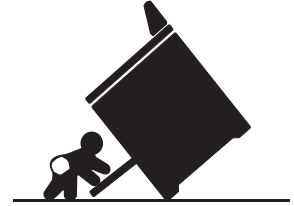
L'installation et les réparations doivent être effectuées par un installateur qualifié, un organisme de service autorisé ou le fournisseur de gaz.

AVERTISSEMENT

RISQUE DE BASCULEMENT!

Un enfant ou un adulte peut faire basculer le four et être tué.

Vérifiez que l'étrier anti-basculé est bien



installé. Assurez-vous que l'étrier anti-basculé est en place lorsque le four est déplacé.

N'utilisez pas le four sans que l'étrier anti-basculé soit en place. Un manquement à suivre les instructions de ce manuel peut causer la mort ou des brûlures graves à des enfants ou des adultes.

Vérifiez que l'étrier anti-basculé est installé et utilisé de façon convenable.

Pour ce faire, faites basculer doucement le four vers l'avant en tirant de l'arrière pour vous assurer que l'étrier anti-basculé est ancré à la patte du four et empêche l'appareil de basculer. Le four ne devrait pas bouger de plus de 2,5 cm (1 po).

Questions?

1-800-944-2904

www.boschappliances.com

Il nous fait toujours plaisir de recevoir vos commentaires!



Consignes de sécurité importantes

LIRE ET CONSERVER CES CONSIGNES

Avant l'installation, **coupez le courant** au panneau de service. Verrouillez le panneau de service pour éviter que le courant ne soit accidentellement rétabli.

Retirez les rubans adhésifs et l'emballage avant d'utiliser l'appareil. Débarrassez-vous de la boîte et des sacs de plastique après avoir déballé l'appareil. Ne laissez jamais les enfants jouer avec des matériaux d'emballage.

Ne modifiez pas ou n'altérez pas l'assemblage d'un appareil en enlevant des pattes, des panneaux, des couvre-fils, des vis ou des étriers anti-bascules ou toute autre partie du produit.

Ne réparez pas ou ne remplacez pas des pièces de l'appareil à moins que cela ne soit expressément recommandé dans les manuels. Tous les travaux d'entretien devraient être confiés à un technicien qualifié. Vous pourrez ainsi réduire les risques de blessures personnelles et de dommages à l'appareil.

Pour éliminer le risque de brûlure ou d'incendie, en passant la main au-dessus des éléments de surface chauffés, l'espace de rangement dans les armoires situées au-dessus des éléments de surface doit être évité. Si un espace de rangement est compris, le risque peut être réduit en installant une hotte qui s'étend sur au moins 12,7 cm (5 po) au-delà du bas des armoires.

Vérifiez que la profondeur maximale des armoires situées au-dessus de la surface de cuisson ne dépasse pas 33 cm (13 po).

Ne soulevez pas l'appareil par la poignée de la porte. Enlever la porte pour faciliter la manipulation et l'installation de l'appareil. Voir la section « Retrait de la porte du four » dans le manuel d'utilisation et d'entretien.

Il incombe au propriétaire et à l'installateur de déterminer si des exigences et/ou normes additionnelles s'appliquent pour des installations spécifiques.

Sécurité électrique

Avant de brancher le cordon électrique, vérifiez que toutes les commandes sont dans la position ARRÊT.

Assurez-vous que votre appareil est installé convenablement et mis à la terre par un technicien qualifié en respectant les exigences de la plus récente édition du Code national de l'électricité ANSI/NFPA No. 70. et les autres exigences des codes de l'électricité locaux. (Au Canada, l'installation doit être

conforme aux codes d'installation CAN 1-B149.1 et .2 pour les appareils à gaz et/ou aux codes locaux).

Important : Les codes locaux peuvent différer. L'installation, les raccordements électriques et la mise à la terre doivent être conformes à tous les codes applicables.

Pour les appareils dotés d'un cordon d'alimentation avec fiche, **ne pas couper ni enlever la broche de mise à la terre.** Pour éviter tout choc électrique, branchez le cordon dans une prise de courant avec prise de terre. En cas de doute concernant la mise à la terre appropriée de la prise murale, le client doit faire vérifier celle-ci par un électricien qualifié.

S'il y a lieu, conformément au Code national de l'électricité (ou au Code canadien de l'électricité), cet appareil doit être installé sur un circuit de dérivation séparé.

Seul un ensemble de cordon d'alimentation **coté pour cet appareil et portant la marque «pour utilisation avec cuisinières»** peut être utilisé.

Installateur - indiquez au propriétaire l'emplacement du disjoncteur ou du fusible. Identifiez sa position pour pouvoir le retrouver facilement.

Important - Conservez ces instructions pour l'usage de l'inspecteur local en électricité.

L'installation, les raccordements électriques et la mise à la terre **doivent être conformes** à tous les codes applicables.

Sécurité pour le gaz

Installez un robinet d'arrêt de gaz à proximité de l'appareil. Celui-ci doit être facilement accessible en cas d'urgence.

Un essai d'étanchéité doit être effectué par l'installateur conformément aux instructions du présent manuel.

L'appareil et son robinet d'arrêt individuel doivent être débranchés de la tuyauterie d'alimentation en gaz lorsque vous effectuez des tests de pression à une pression d'épreuve dépassant 3,5 kPa (½ psi).

L'appareil doit être isolé de la tuyauterie d'alimentation en gaz en fermant le robinet d'arrêt manuel individuel lorsque vous effectuez des essais de pression sur la tuyauterie d'alimentation en gaz si la pression d'épreuve est égale ou inférieure à 3,5 kPa (½ psi)



Consignes de sécurité importantes

LIRE ET CONSERVER CES CONSIGNES

La pression d'alimentation minimale doit être égale à 25,4 mm (1 po) à la colonne d'eau, au-dessus de la pression d'admission indiquée sur la plaque signalétique.

La pression d'alimentation maximale ne doit pas dépasser 355 mm (14 po) à la colonne d'eau (34,9 millibars).

N'entreposez pas ou n'utilisez pas d'autres matériaux, de l'essence ou des liquides

et vapeurs inflammables près de cet appareil ou de tout autre appareil.

Cet appareil est **approuvé par le CSA pour un fonctionnement sécuritaire** jusqu'à une altitude de 3048 m (10 000 pi) sans modification. Exception : pour l'utilisation avec du gaz LP, l'appareil doit d'abord être converti à l'aide des instructions de conversion pour le gaz LP comprises avec la documentation fournie.

Installations effectuées dans l'état du Massachusetts :

1. L'installation doit être effectuée par un entrepreneur qualifié ou titulaire d'une licence, un plombier ou installateur de gaz qualifié ou titulaire d'une licence octroyée par l'état, la province ou la région où l'appareil est installé.
2. Le robinet d'arrêt doit être pourvu d'une poignée en « T ».
3. Le connecteur à gaz flexible ne doit pas être plus long que 91,4 cm (36 po).

Installation du gaz propane

Le réservoir de gaz propane doit être doté d'un régulateur haute pression. En outre, le régulateur fourni avec cet appareil doit être également utilisé.

Cet appareil est réglé à sa sortie de l'usine pour fonctionner au gaz naturel. Pour faire fonctionner l'appareil au gaz propane, il doit être converti. Cette conversion doit être effectuée par un technicien ou installateur qualifié.

Procédez à l'installation uniquement en suivant les instructions d'installation comprises dans la documentation fournie avec cet appareil.

Demandez à votre détaillant de vous recommander un technicien qualifié et un service de réparation autorisé.

Ne placez pas des objets destinés aux enfants dans les armoires situées au-dessus ou sur le dossier d'un appareil. Des enfants qui grimperaient sur l'appareil pour prendre ces objets pourraient se blesser sérieusement.

ATTENTION

Cet appareil est lourd et il faut au moins deux personnes ou l'équipement approprié pour le déplacer.

Les surfaces cachées peuvent comporter des bords coupants. Faites attention en tendant le bras derrière l'appareil ou en dessous.

N'utilisez pas le four ou le tiroir-réchaud (si compris) pour le rangement.

Cet appareil a été testé conformément aux normes suivantes :

- ANSI Z21.1 - Household Cooking Gas Appliances
- UL 858 - Household Electric Ranges
- CAN/CSA C22.2 No. 61 - Household Cooking Ranges

Préparation

Pièces incluses :

- Étrier anti-bascule
- 2 vis à bois
- 2 vis à béton sans ancre
- Ruban en mousse
- Attaches de bornes (pour les installations à câbles rigides)

Remarque : ne sont pas nécessaires pour les installations au Canada

Outils et pièces nécessaires :

- Ensemble de cordon d'alimentation pour four (240 V -30 A)*
- Ruban à mesurer
- Tournevis à tête Phillips
- Clé de 31,8 mm (1-1/4 po)
- Crayon
- Tournevis Torx T-20
- Niveau
- Perceuse et mèche (mèche à maçonnerie de 4,8 mm ou 3/16 po pour les vis à béton)
- Eau savonneuse
- Clé à tuyau
- Ruban TeflonMD**
- Pince multiprise ordinaire
- Solution pour tester les fuites de gaz
- Canalisation d'alimentation en gaz
- Robinet d'arrêt du gaz
- Gants et lunettes de sécurité
- Ruban adhésif (optionnel)
- Linge ou carton (optionnel - pour protéger le plancher)

* N'est pas nécessaire pour les installations au Canada qui comprennent déjà le cordon d'alimentation installé.

** Teflon est une marque déposée de DuPont

Pièces supplémentaires requises pour les installations à câbles rigides

- Câblage flexible (pour les installations à câbles rigides)
- Clé dynamométrique (pour les installations à câbles rigides)

Remarque : Un ensemble de cordon d'alimentation n'est pas requis pour les installations à câbles rigides

Informations générales

Dimensions totales

Dimension	Pouces	Centimètres
Hauteur	36 po	91,44 cm
Largeur	31 po	78,74 cm
Profondeur	25 5/8 po	65,09 cm

Niveau

Pour de meilleurs résultats, les armoires, les murs et les planchers des comptoirs autour du lieu de l'installation devraient être aussi au niveau et d'aplomb que possible. Des variations pourraient causer des dommages aux comptoirs et aux planchers au cours de l'installation, nuire à l'intégrité de l'étanchéité autour de la surface de cuisson et avoir un impact négatif sur la cuisson.

Préparation de l'appareil

Enlevez et débarrassez-vous de tout le matériel d'emballage

AVERTISSEMENT

Retirez les rubans adhésifs et l'emballage avant d'utiliser l'appareil. Débarrassez-vous de l'emballage après avoir déballé l'appareil. Ne laissez jamais les enfants jouer avec des matériaux d'emballage.

Conseils :

Placez l'appareil sur un carton pour protéger le plancher.

Retirer le tiroir et le mettre de côté

1. Tirez le tiroir complètement vers l'extérieur.
2. Trouvez les attaches de verrouillage se trouvant sur chacun des rails.
3. Poussez l'attache de gauche vers le haut. Tirez sur le tiroir jusqu'à ce que l'attache se verrouille en place.
4. Poussez l'attache de droite vers le bas. Tirez sur le tiroir jusqu'à ce que l'attache se verrouille en place.
5. Tirez le tiroir vers l'extérieur et mettez-le de côté pour plus tard.
6. Poussez les rails vers l'intérieur de l'appareil.

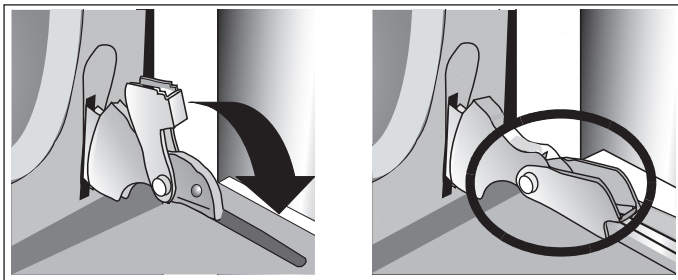
Retirer la porte et la mettre de côté

AVERTISSEMENT

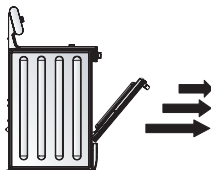
Lors du retrait de la porte :

- Avant d'enlever la porte, assurez-vous que le four est froid et que l'alimentation énergétique a été coupée. Le non-respect de cette précaution pourrait entraîner un choc électrique ou des brûlures.
- La porte du four est lourde et fragile. Utilisez les deux mains pour l'enlever. Le devant de la porte est en verre. Manipulez-la avec soin pour éviter de la briser.
- Saisissez uniquement les côtés de la porte. Ne prenez pas la poignée, car elle peut osciller dans la main et causer des dommages ou des blessures.
- Si la porte du four n'est pas saisie fermement et correctement, il y a un risque de lésion corporelle ou de dommage au produit.
- Pour éviter toute blessure causée par la fermeture soudaine du support charnière, assurez-vous que les deux leviers sont bien en place avant d'enlever la porte. En outre, ne forcez la porte pour l'ouvrir ou la fermer, car la charnière pourrait s'endommager et vous pourriez vous blesser.

1. Veuillez lire l'AVERTISSEMENT ci-dessus avant de tenter de retirer la porte.
2. Ouvrez complètement la porte.
3. Basculez les leviers des charnières (un de chaque côté) vers vous.



4. Fermez la porte doucement jusqu'à ce qu'elle se bloque. Elle se bloquera environ à mi-chemin.



5. Tenez fermement la porte par les côtés avec les deux mains, tirez tout droit vers le haut pour sortir la porte des fentes de charnières. Maintenez une prise ferme, car la porte est lourde.
6. Placez la porte à un endroit stable.

Exigences concernant l'électricité

Pour plus d'informations, consultez la plaque signalétique. Voir la section « Plaque signalétique du produit » à la page 31 pour localiser la plaque.

Il est recommandé que l'appareil soit installé avec un ensemble de cordon d'alimentation (non compris). Les caractéristiques électriques de l'ensemble de cordon d'alimentation devraient être au moins 120/240 volt, 30 ampères. L'ensemble de cordon d'alimentation doit porter la mention « À utiliser avec les fours ». Utilisez toujours un cordon d'alimentation neuf.

Remarque : Au Canada, la cuisinière est expédiée de l'usine avec un cordon d'alimentation déjà installé.

Les appareils ont une cote jumelée pour une utilisation avec le 120/240 VAC ou le 120/208 VAC. Consultez la plaque signalétique pour la puissance en kW. Trouvez la puissance en kW dans le tableau ci-dessous pour déterminer l'intensité électrique requise.

Caractéristiques électriques

VOLTS C.A	HZ	PUISSANCE KW	DISJONCTEUR
120/240	60	6,2	30 A
120/208	60	4,8	30 A

La prise électrique doit se trouver dans la zone ombragée indiquée dans l'image de la prochaine colonne.

Vérifiez que le câblage desservant la résidence est adéquat.

Contractez votre distributeur d'électricité local pour vous assurer que le service électrique actuel de votre maison est adéquat. Dans certains cas, la dimension du câblage et l'interrupteur de service doivent être augmentés pour répondre à la charge électrique requise par l'appareil.

La plupart des codes de câblage exigent un circuit seul et un interrupteur général et des fusibles séparés dans le panneau principal ou dans un boîtier de fusibles avec interrupteur distinct.

L'appareil nécessite un circuit minimum de 120/240 ou 120/208 V, 30 A, 60 Hz de trois fils. Consultez les codes locaux pour trouver l'intensité électrique appropriée. Un raccordement à quatre fils est préférable.

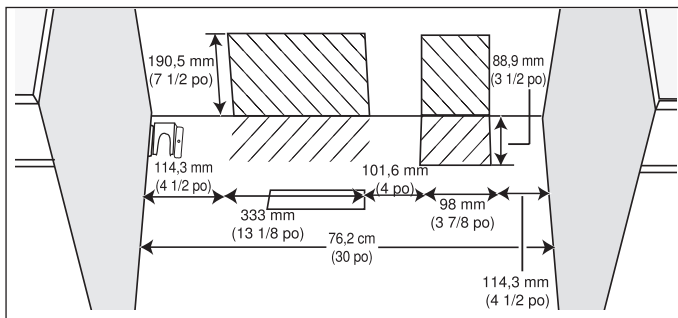
La plupart des règlements de construction et des codes locaux requièrent que le câblage électrique soit installé par un électricien qualifié. Assurez-vous d'installer l'appareil conformément aux codes électriques applicables dans votre région.

Exigences concernant le gaz

⚠ ATTENTION

Assurez-vous que le robinet d'alimentation en gaz et les commandes des brûleurs sont à la position **DÉ-SACTIVER** avant de commencer.

Fermez le robinet d'alimentation en gaz principal avant de débrancher votre vieil appareil et assurez-vous qu'il demeure fermé jusqu'à ce que l'installation soit terminée. **N'oubliez pas de rallumer la flamme de veilleuse des autres appareils au gaz en rétablissant l'alimentation en gaz.**



S'il n'est pas déjà présent, installez le robinet d'arrêt de gaz à un endroit facile d'accès.

Assurez-vous que tous les usagers de l'appareil connaissent la façon et l'endroit permettant d'arrêter l'alimentation en gaz du four.

Remarque : L'installateur devrait informer le client de l'endroit où se trouve le robinet d'arrêt du gaz.

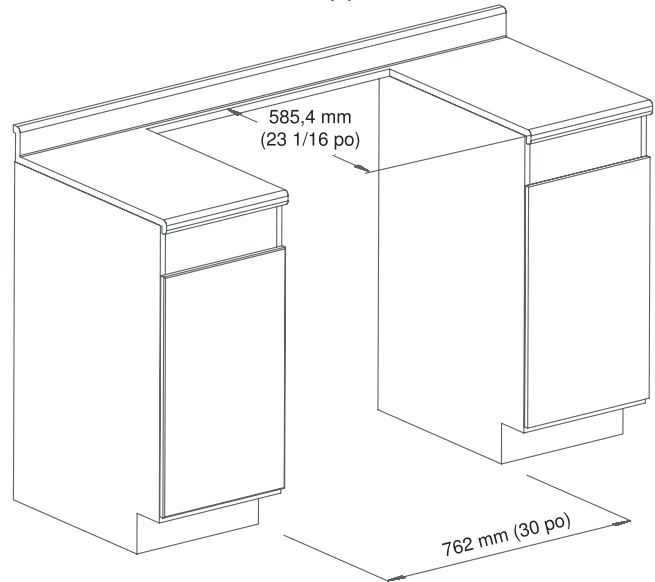
Note importante pour les utilisateurs de gaz LP :

Cet appareil est conçu à sa sortie de l'usine pour fonctionner au gaz naturel. Pour être utilisé avec du gaz LP (propane), votre appareil doit d'abord être converti à l'aide d'un ensemble de conversion LP.

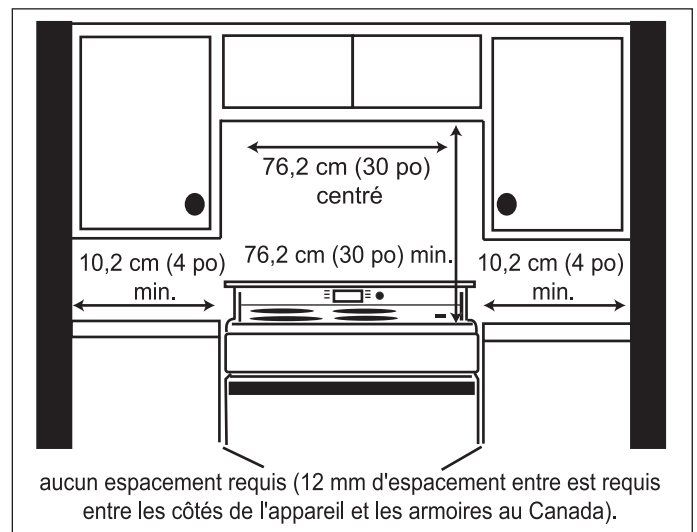
Exigences concernant les armoires

Cet appareil est conçu pour une installation près des murs adjacents et de surfaces de projection fabriqués de matériaux combustibles. Préparation du comptoir et des armoires.

Laissez au moins 76,2 cm (30 po) d'espace entre les armoires à l'endroit où l'appareil sera installé.



Remarque : La surface de cuisson peut également remplacer un four encastré. Pour ce faire, assurez-vous que l'ouverture a au moins 76,2 cm (30 po) de largeur.



Installation de la ventilation

Bosch recommande fortement d'installer une hotte au-dessus de cet appareil. Pour la plupart des cuisines, une hotte certifiée offrant au moins 91 m³/min (300 CFM) est recommandée. La hotte doit être installée conformément aux instructions qui l'accompagnent.

Remarque : L'appareil ne devrait pas être installé avec un système de ventilation qui souffle l'air vers les brûleurs. Ce type de système de ventilation peut causer des problèmes d'allumage et de combustion avec l'appareil de cuisson au gaz et pourrait provoquer des blessures ou nuire au fonctionnement normal.

Espacement requis¹

AVERTISSEMENT

Pour éliminer le risque de brûlure ou d'incendie, en passant la main au-dessus des éléments de surface chauffés, l'espace de rangement dans les armoires situées au-dessus des éléments de surface doit être évité. Si un espace de rangement est compris, le risque peut être réduit en installant une hotte qui s'étend sur au moins 12,7 cm (5 po) au-delà du bas des armoires.

De la surface de cuisson jusqu'aux matériaux au-dessus : Il doit y avoir un espacement de 76,2 cm (30 po) entre le haut de la surface de cuisson et le bas d'une armoire en métal ou en bois non protégé.

Un espacement de 61 cm (24 po) est acceptable lorsque le bas de l'armoire en métal ou en bois est protégé par (a) au moins 6,4 mm (1/4 po) de matériel ignifuge qui doit être recouvert (b) d'au moins 0,4 mm (0,015 po) de feuille de métal no 28 MSG, ou de 0,6 mm (0,024 po) d'aluminium ou de cuivre.

Des parois de l'appareil aux matériaux adjacents : Préparation des armoires. Aucun espacement n'est nécessaire entre les parois de l'appareil et les murs verticaux combustibles à l'arrière, sur la droite et sur la gauche.

L'espacement entre le haut de la cuisinière et les murs verticaux adjacents doit être d'au moins 10,2 cm (4 po).

Remarque : Certains finis d'armoire ne peuvent résister aux températures permises par les normes de sécurité, particulièrement dans le cas des fours autonettoyants. Les armoires peuvent se décolorer ou se tacher, tout particulièrement dans le cas des armoires laminées.

Préparation des murs et du plancher

Scellez les trous dans les murs et le plancher. Enlevez tous les obstacles (raccordements électriques ou de gaz en surplus, etc.) afin que l'appareil soit positionné correctement contre le mur.

Exigences concernant le comptoir

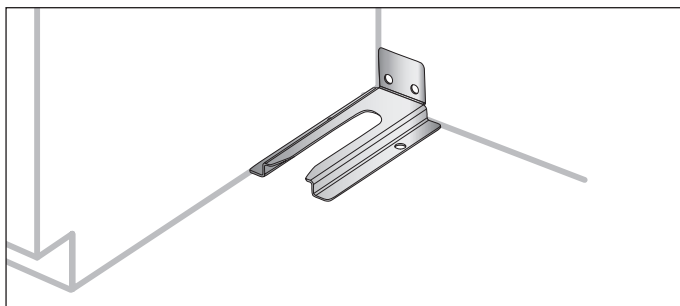
Les comptoirs doivent être lisses et au niveau.

¹ * Les instructions ont été déterminées en utilisant des armoires américaines standard. Les armoires de base standard mesurent 91,4 cm (36 po) de haut par 61 cm (24 po) de profondeur. Les armoires au-dessus de la surface de cuisson et les armoires adjacentes à celles au-dessus de la surface de cuisson mesurent 33 cm (13 po) de profondeur à partir du mur arrière. Si des armoires non standard sont utilisées, assurez-vous de modifier les dimensions de façon appropriée.

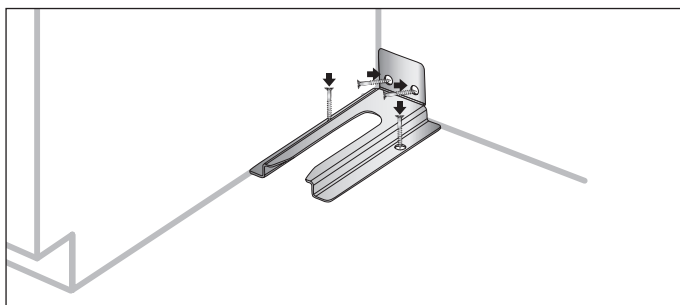
Procédure

Installation de l'étrier anti-bascule

1. Ajustez la hauteur du four et mettez-le à niveau en faisant tourner les supports ajustables des pattes au bas du four à l'aide d'une clé de 32 mm (1-1/4 po).
2. Placez l'étrier tel qu'illustré ci-dessous.



3. Fixez l'étrier au plancher ou au mur à l'aide de 2 vis. En fonction des matériaux du plancher ou du mur, utilisez des vis en bois ou des vis à béton sans ancre (comprises). Les vis à béton nécessitent une mèche à maçonnerie de 4,8 mm (3/16 po). Les vis devraient offrir une fixation solide dans le bois ou un plancher ferme. Ne tentez pas de fixer l'étrier dans une cloison sèche.



Application du ruban en mousse

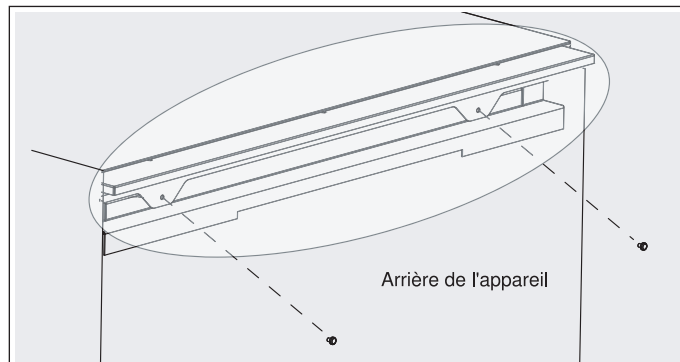
Appliquez du ruban en mousse en une seule longue bande sur la face antérieure du rebord de la surface de cuisson.

Installation de la garniture du mur arrière (optionnelle)

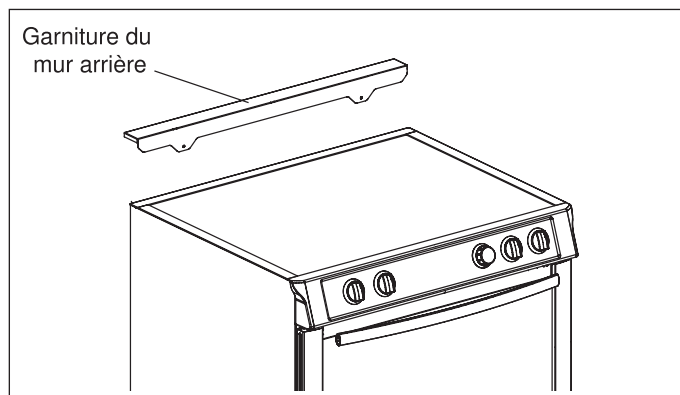
Remarque : Cette étape est requise uniquement si le comptoir ne touche pas à l'arrière de l'appareil (par ex., en remplaçant un four encastré). Si vous avez besoin d'une garniture de mur arrière et de vis d'attachement, elles peuvent être commandées via le centre de service en composant le 800-944-2904, et ce sans aucuns frais supplémentaires pour une période allant jusqu'à un an après la date d'achat de

vosre surface de cuisson. En passant votre commande, demandez l'ensemble de garniture de mur arrière de service n° 652010.

Installez 2 vis dans les trous de la garniture et dans le mur arrière de l'appareil.



Installez ensuite la garniture de mur arrière



Raccordement électrique

Il existe deux raccords électriques possibles :

1. Raccordement de cordon à quatre fils
2. Raccordement de cordon à trois fils

Un raccordement à quatre fils est la méthode recommandée, mais aux endroits où les codes et les règlements locaux le permettent, un raccordement à trois fils est également acceptable.

Remarque : Au Canada, la cuisinière est expédiée de l'usine avec un cordon d'alimentation déjà installé.

Pour les installations à l'extérieur du Canada, branchez le cordon de l'appareil au bloc de bornes (consultez la page suivante pour des instructions détaillées). Accédez au bloc de bornes en enlevant le couvercle dans le coin inférieur droit du panneau arrière de l'appareil.

Installation du serre-câble

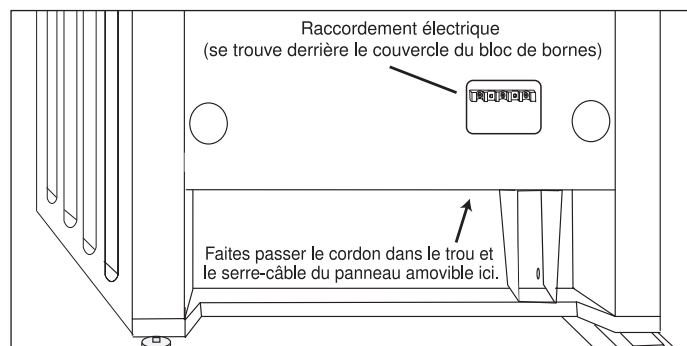
Placez le serre-câble dans le panneau amovible sous le bloc de bornes.

⚠ AVERTISSEMENT

Le serre-câble inclus avec votre appareil doit être installé convenablement.

Les serre-câbles peuvent varier. Lisez et suivez attentivement les instructions comprises avec votre serre-câble.

1. Dans le panneau amovible sous le bloc de bornes, enlevez la partie appropriée qui vous permettra de faire passer votre serre-câble.
2. Faites passer le cordon dans le trou et le serre-câble jusqu'au bloc de bornes. Laissez un peu de jeu au cordon entre le serre-câble et le bloc de bornes.
3. Une fois que la longueur et le jeu du cordon ont été ajustés, fixez le serre-câble conformément aux instructions concernant son installation.



Conseil : Le panneau amovible (sous le bloc de bornes) peut être retiré de l'appareil au cours de l'installation du serre-câble : Retirez le panneau de l'appareil, installez le serre-câble et remplacez ensuite le panneau. **NE RETIREZ PAS** tout le panneau arrière de l'appareil.

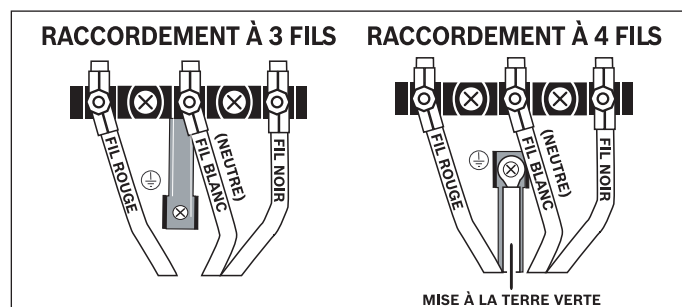
⚠ AVERTISSEMENT

Risque de chocs électriques ou d'incendie. Le cadre est mis à la terre au neutre par une bande de mise à la terre. La mise à la terre par le conducteur neutre est interdite dans les installations comprenant de nouveaux circuits de dérivation (CNÉ 1996), les maisons mobiles et les véhicules récréatifs, ou dans les endroits où les codes locaux interdisent la mise à la terre par le conducteur neutre.

Pour les installations où la mise à la terre par le conducteur neutre sont interdites, (a) débranchez le lien du conducteur neutre, (b) utilisez le terminal de mise à la terre ou la borne de l'unité de mise à la terre, (c) raccordez le terminal neutre à la borne de

circuit de dérivation de la façon habituelle (lorsque l'appareil est raccordé à l'aide d'un ensemble de cordon d'alimentation, utilisez le cordon à 4 conducteurs à cette fin).

Utilisez seulement les ensembles de cordon d'alimentation de 125/250 volts (au minimum), 30 ampères et portant la mention « À utiliser avec les fours ». Le serre-câble fourni avec le cordon d'alimentation doit être installé conformément aux instructions qui l'accompagnent.

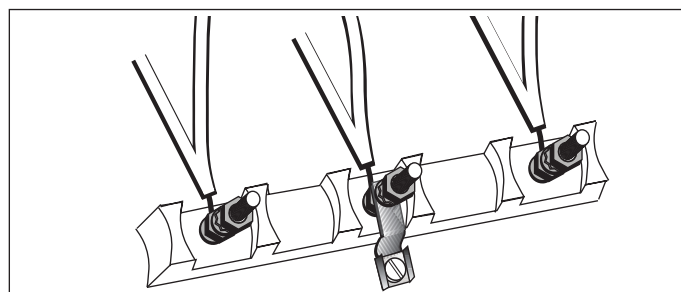


⚠ AVERTISSEMENT

Pour éviter les chocs électriques, la broche de mise à la terre du cordon ne doit en aucun cas être coupée ou enlevée. Elle doit être branchée sur une prise avec mise à la terre correspondante et reliée à un circuit 240 volts adéquatement polarisé. En cas de doute concernant la mise à la terre appropriée de la prise murale, faites vérifier la prise par un électricien qualifié.

Raccordement de cordon à quatre fils (Méthode recommandée)

1. Débranchez l'alimentation électrique au niveau des disjoncteurs. Retirez le couvercle du bloc de bornes pour exposer le bloc.

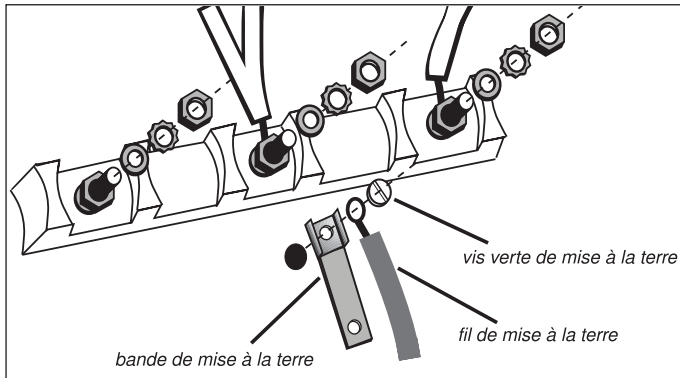


2. Enlevez l'écrou supérieur, la rondelle en étoile et la rondelle ronde de chaque tige.

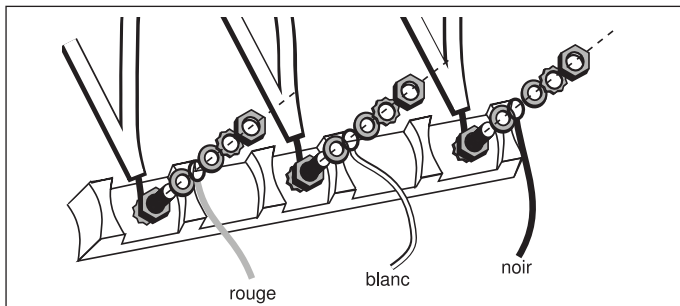
Remarque : NE PAS enlever la dernière rondelle ronde, le dernier écrou ou les éléments du câblage interne.

3. Retirez la vis au bas de la bande de mise à la terre.

4. Enlevez la bande de mise à la terre de la tige centrale et faites-la pivoter pour que l'extrémité la plus large soit sur le dessus et fixez ensuite cette extrémité à l'appareil par le trou sous la boîte de connexion. Fixez le fil vert sur la bande de mise à la terre. Resserez la vis.



5. Fixez le fil rouge, la rondelle ronde, la rondelle en étoile et l'écrou DANS CET ORDRE sur la tige gauche.
6. Fixez le fil blanc, la rondelle ronde, la rondelle en étoile et l'écrou DANS CET ORDRE sur la tige centrale.
7. Fixez le fil noir, la rondelle ronde, la rondelle en étoile et l'écrou DANS CET ORDRE sur la tige droite.



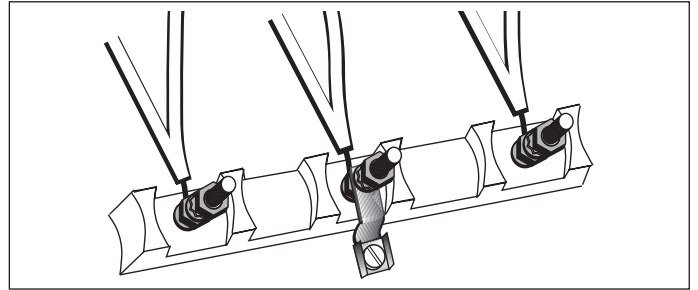
8. Serrez tous les raccords adéquatement et remplacez le couvercle du bloc de bornes.
9. Fixez solidement le serre-câble (voir la section précédente).

Remarque : NE BRANCHEZ PAS l'appareil à cette étape.

Raccordement de cordon à trois fils

Un raccordement à quatre fils est préférable, mais aux endroits où les codes et les règlements locaux permettent la mise à la terre par le conducteur neutre et/ou la conversion à quatre fils ne peut être considérée, l'appareil peut être branché à l'alimentation électrique par un raccordement à trois fils.

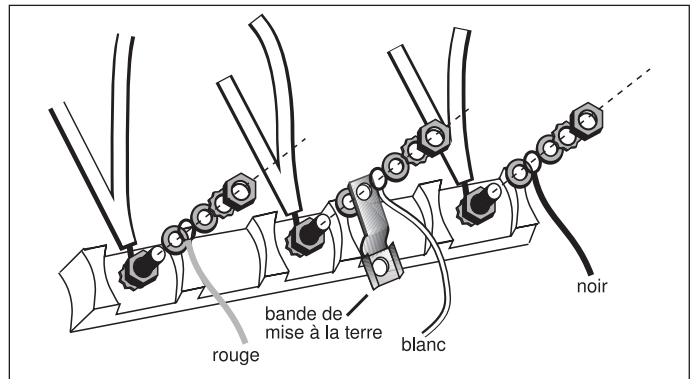
1. Débranchez l'alimentation électrique au niveau des disjoncteurs.
2. Retirez le couvercle du bloc de bornes pour exposer le bloc.



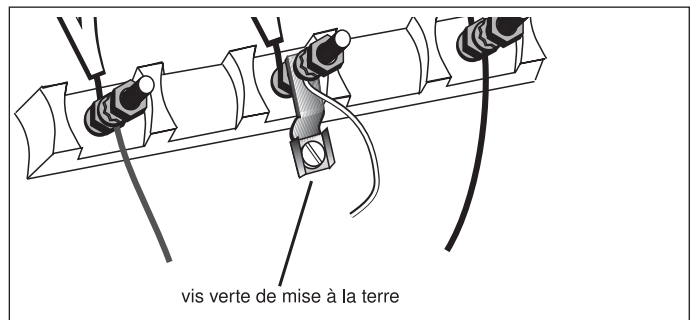
3. Enlevez l'écrou supérieur, la rondelle en étoile et la rondelle ronde de chaque tige.

Remarque : NE PAS ENLEVER la dernière rondelle ronde, le dernier écrou ou les éléments du câblage interne.

4. Fixez le fil blanc, la rondelle ronde, la rondelle en étoile et l'écrou DANS CET ORDRE sur la bande de mise à la terre de la tige centrale.
5. Fixez le fil rouge, la rondelle ronde, la rondelle en étoile et l'écrou DANS CET ORDRE sur la tige gauche.
6. Fixez le fil noir, la rondelle ronde, la rondelle en étoile et l'écrou DANS CET ORDRE sur la tige droite.



7. Serrez tous les raccords adéquatement et remplacez le couvercle du bloc de bornes.



8. Fixez solidement le serre-câble (voir la section précédente).

Remarque : NE BRANCHEZ PAS l'appareil à cette étape.

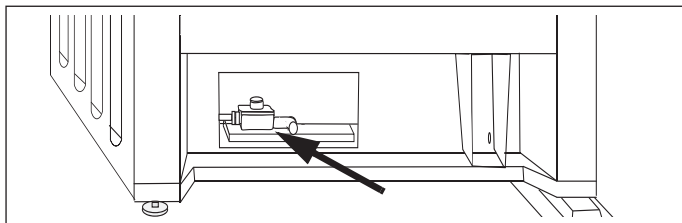
Raccordement de l'alimentation de gaz

Fermez le robinet d'alimentation en gaz principal avant de débrancher votre vieil appareil et assurez-vous qu'il demeure fermé jusqu'à ce que l'installation soit terminée. N'oubliez pas de rallumer la flamme de veilleuse des autres appareils au gaz en rétablissant l'alimentation en gaz.

L'appareil peut être installé en employant un tuyau rigide ou un connecteur d'appareil en métal flexible certifié CSA International. Si vous utilisez un connecteur flexible, assurez-vous qu'il soit neuf.

Appliquez de la pâte isolante à joint ou du ruban Teflon¹ conçu pour le gaz naturel ou le gaz LP autour de tous les filets des tuyaux mâles afin d'éviter les fuites.

Le raccord de gaz se trouve sous le panneau arrière de l'appareil. Il est accessible à partir du panneau d'accès du tiroir-réchaud ou de l'arrière de l'appareil. Pour accéder au panneau d'accès, enlevez le tiroir-réchaud.



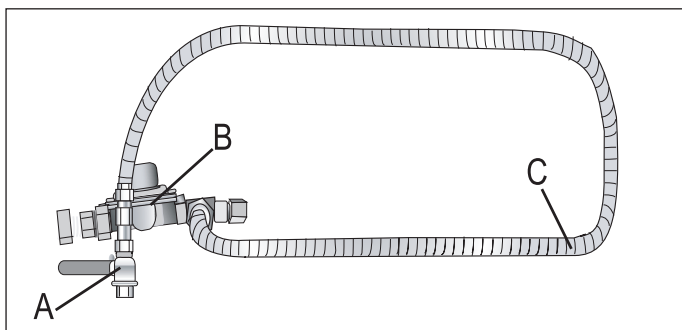
Note importante pour les utilisateurs de gaz LP :

Cet appareil est conçu à sa sortie de l'usine pour fonctionner au gaz naturel. Pour être utilisé avec du gaz LP (propane), votre appareil doit d'abord être converti à l'aide d'un ensemble de conversion LP.

Méthode avec connecteur flexible

Si vous utilisez un tuyau rigide, passez à la section « Méthode avec tuyau rigide » à la page 28.

Connecteur de raccordement



Lettre	Objet
A	Robinet d'arrêt du gaz
B	Régulateur
C	Connecteur flexible

1. Installez un adaptateur mâle évasé de 12,7 mm (1/2 po) au point 12,7 mm (1/2 po) du filetage interne NPT de l'entrée de l'appareil. Utilisez une clé sur le raccord en coude pour éviter tout dommage.
2. Installez un adaptateur mâle évasé de 12,7 mm (1/2 po) ou 19 mm (3/4 po) sur le filetage interne du robinet d'arrêt manuel.
3. Assurez-vous que les deux pattes avant reposent solidement sur le sol.

Branchement du cordon d'alimentation

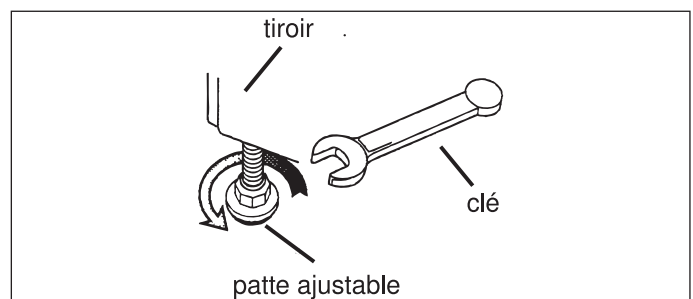
1. Assurez-vous que le disjoncteur est désactivé avant de brancher le cordon d'alimentation de l'appareil dans la prise électrique.
2. Raccordez le connecteur flexible au robinet d'admission du gaz.

⚠ ATTENTION

Avant de brancher le cordon électrique, vérifiez que toutes les commandes sont dans la position **ARRÊT**.

Ajuster les pattes de nivellement

1. Placez l'appareil devant l'ouverture.
2. Mesurez le coin gauche arrière de l'ouverture du plancher au comptoir.
3. Mesurez le coin gauche arrière de l'appareil jusqu'à la garniture du comptoir. Ajustez la patte de nivellement jusqu'à ce que sa hauteur corresponde à la mesure du coin.
4. Répétez l'opération pour le coin droit arrière.
5. Ajustez les pattes de nivellement à l'avant pour que la partie inférieure de la garniture de la surface de cuisson se trouve 12,7 mm (1/2 po) plus haut que la surface du comptoir.



Glisser l'appareil dans l'ouverture

1. Branchez le cordon d'alimentation.
2. Glissez l'appareil dans l'ouverture en évitant d'endommager le comptoir, les planchers ou les tiroirs du devant de l'appareil. N'appliquez pas de pression sur la surface de cuisson lorsque vous placez l'appareil. Assurez-vous de ne pas écraser le connecteur flexible.

Conseils :

1. Si l'appareil ne glisse pas facilement utilisez de l'eau savonneuse pour humidifier les points de pression suivants :
 - comptoir
 - ruban en mousse
 - plancher sous les pattes de l'appareil
2. Enlevez le tiroir et la porte du four pour éviter des dommages.
3. Pour éviter des dommages à l'appareil, poussez sur le cadre autour de l'ouverture pour le four.

3. Essuyez avec de l'eau savonneuse.

Vérifier l'installation adéquate à l'arrière de l'appareil

1. Lorsqu'elle est installée convenablement, la garniture de la surface de cuisson autour de l'arrière de l'appareil devrait reposer légèrement sur le comptoir.
2. Il ne devrait pas y avoir d'espace entre le comptoir et la garniture; toutefois, le poids de l'appareil ne devrait pas reposer sur le comptoir. Vérifiez sous l'appareil pour vous assurer que les deux pattes arrière reposent solidement au sol. Assurez-vous également que la patte gauche de l'appareil se trouve sous l'étrier anti-bascule.

Remarque : Lorsque vous remplacez un modèle encastré, la garniture du mur arrière devrait être au niveau avec le mur.

ATTENTION

Assurez-vous que le poids de l'appareil ne repose pas sur le comptoir. Vous éviterez ainsi d'endommager le comptoir ou l'appareil.

3. Si les pattes arrière ne reposent pas solidement sur le sol ou que la patte gauche n'est pas sous l'étrier anti-bascule, sortez l'appareil de l'ouverture, ajustez les pattes et remplacez l'appareil en place.

Ajustement du devant de l'appareil pour une installation adéquate

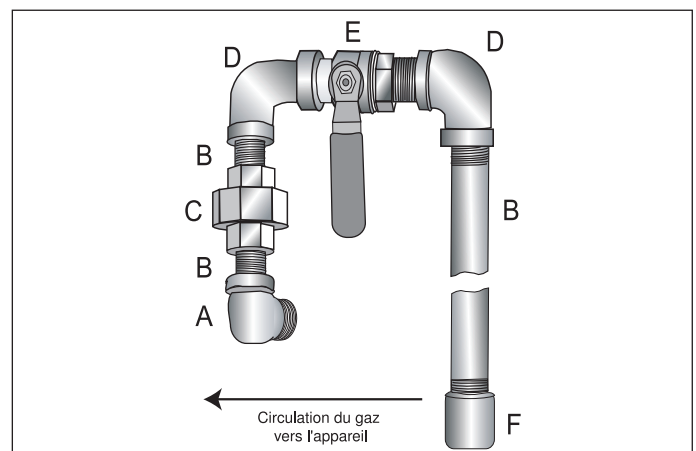
1. Ajuster les pattes de nivellement avant pour que la surface de cuisson s'ajuste parfaitement au comptoir sur tout le tour.
2. Assurez-vous que les deux pattes avant reposent solidement sur le sol.
3. Utilisez un niveau pour vérifier que l'appareil est à niveau et d'aplomb.
4. Faites basculer doucement le four vers l'avant pour vous assurer que l'étrier anti-bascule est ancré et empêche l'appareil de basculer.

Le raccordement du gaz est maintenant terminé. Passez à la section « Vérifier les fuites de gaz » à la page 29.

Méthode avec tuyau rigide

Si vous utilisez un connecteur flexible, retournez à la section « Méthode avec connecteur flexible » à la page 27.

Tuyau rigide



Lettre	Objet
A	Coude; branchez le régulateur ici
B	Raccord fileté du tuyau
C	Raccord du tuyau
D	Coude
E	Robinet d'arrêt du gaz
F	Tuyau de gaz de à 12,7 à19 mm (½ à ¾ po)

La configuration de raccordement avec tuyau rigide variera en fonction de l'endroit où se situe l'entrée du tuyau de gaz.

Vérification de l'installation

Vérifier les fuites de gaz

Un test pour vérifier les fuites de gaz doit être effectué par l'installateur conformément aux instructions du présent manuel.

Ouvrez le gaz. Appliquez un liquide de détection des fuites non corrosif sur tous les joints et raccords de la connexion de gaz entre le robinet d'arrêt et l'appareil. Ajoutez les joints et raccords de gaz de l'appareil si les raccordements ont été modifiés pendant l'installation. **Des bulles autour des raccords et branchements indiquent la présence d'une fuite.**

Si'il y a une fuite, fermez le robinet d'arrêt de l'alimentation en gaz et resserrez les raccords. Vérifiez de nouveau les fuites en ouvrant le robinet d'arrêt de l'alimentation en gaz. Une fois la vérification terminée (il n'y a plus de bulles), le test est terminé. Essuyez tout résidu provenant du liquide de détection.

ATTENTION

Ne vérifiez jamais les fuites avec une flamme.

Ne passez pas à la prochaine étape avant que toutes les fuites ne soient éliminées.

Vérifier les brûleurs de la surface de cuisson

Activez l'alimentation électrique au disjoncteur.

ATTENTION

Si l'écran ACL clignote et émet des sons, cela signifie que la polarité du filage est probablement inversée. Assurez-vous que le câblage de la maison est installé correctement. Si c'est le cas, contactez le Service Bosch.

Vérification de l'allumage des brûleurs. Choisissez un bouton de brûleur de la surface de cuisson. Appuyez sur le bouton et tournez-le vers le symbole de la flamme. Si le module d'allumage/d'étincelle fonctionne correctement, vous entendrez un déclic. Une fois que l'air aura été éliminé des conduites d'alimentation, le brûleur devrait s'allumer dans les quatre (4) secondes. Après avoir confirmé que le brûleur fonctionne, remplacez le bouton à la position d'arrêt.

Vérifier la flamme : réglage élevé Allumez le brûleur au réglage ÉLEVÉ (HI).

Voir la section « Vérification des caractéristiques de la flamme » pour les caractéristiques appropriées des flammes.

Si l'une des flammes des brûleurs continue d'être presque ou entièrement jaune, contactez le Service Bosch.

Vérifier la flamme : réglage faible Allumez le brûleur au réglage FAIBLE (LO).

Assurez-vous que la flamme entoure complètement le brûleur.

Il devrait y avoir une flamme à chaque orifice du brûleur et il ne devrait pas y avoir de trou d'air entre la flamme et le brûleur. Si l'un des brûleurs ne propage pas la flamme correctement, contactez le Service Bosch.

Vérifiez l'allumage et la flamme de chaque brûleur de la surface de cuisson en suivant les directives ci-dessus.

LORSQUE L'AJUSTEMENT DE LA FLAMME EST APPROPRIÉ :

Il devrait y avoir une flamme à chaque orifice du brûleur.

Il ne devrait pas y avoir de trou d'air entre la flamme et l'orifice du brûleur.

Vérifier les brûleurs du four

Retirez le couvercle inférieur du four. Retirez les deux vis à oreilles à l'arrière et faites glisser le couvercle vers l'avant et l'extérieur.

Vérification de l'allumage du brûleur de cuisson.

Réglez le four en mode cuisson à 177° C (350° F). Après 30 à 75 secondes, le brûleur s'allumera.

Le brûleur restera allumé jusqu'à ce que la température choisie soit atteinte puis il s'éteindra. À ce stade le brûleur s'allumera périodiquement pour maintenir la température choisie.

Vérification de la flamme du brûleur de cuisson.

Pendant que le brûleur est allumé, inspectez la flamme. Voir la section « Vérification des caractéristiques de la flamme » pour les caractéristiques appropriées des flammes. Si la flamme est entièrement ou presque entièrement de couleur jaune, ajustez le volet d'air du brûleur de cuisson. Voir la section « Ajuster la flamme » pour de plus amples renseignements.

Vérification de l'allumage du brûleur de cuisson au grill. Réglez le mode de cuisson à la cuisson au grill à puissance élevée (Hi Broil). Le brûleur s'allumera après 30 à 75 secondes.

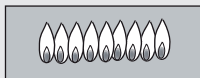
Vérification de la flamme du brûleur de cuisson au grill. Pendant que le brûleur est allumé, inspectez la flamme. Consultez l'image pour les caractéristiques appropriées de la flamme. Si la flamme est entièrement ou presque entièrement de couleur jaune, ajustez l'entrée d'air du brûleur de cuisson au grill. Voir la section « Ajuster la flamme » pour de plus amples renseignements.

Remplacez le couvercle inférieur du four. Glissez le couvercle en place et remplacez les deux vis à oreilles.

Vérification des caractéristiques de la flamme

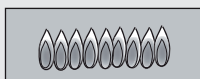
Flammes jaunes :

Réglage supplémentaire requis.



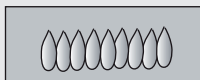
Pointes jaunes au niveau des cônes extérieurs :

Normal pour du gaz GPL.



Douces flammes bleues :

Normal pour du gaz naturel.



Contactez le Service Bosch au 800-944-2904 si :

1. L'un des brûleurs ne s'allume pas.
2. Le brûleur de cuisson au grill ou de cuisson s'éteint avant d'atteindre 177° C (350° F).
3. La flamme d'un des brûleurs demeure jaune.

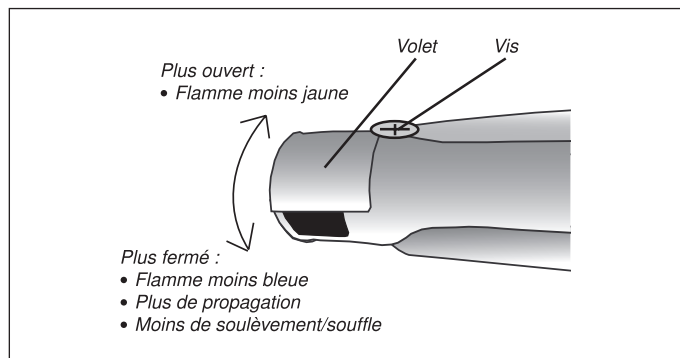
Si un ajustement de la flamme est nécessaire, passez à la section « Ajuster la flamme ». Sinon, l'installation est maintenant terminée.

Ajuster la flamme (si nécessaire)

⚠ AVERTISSEMENT

Laissez le(s) brûleur(s) se refroidir avant de tenter de le(s) retirer!

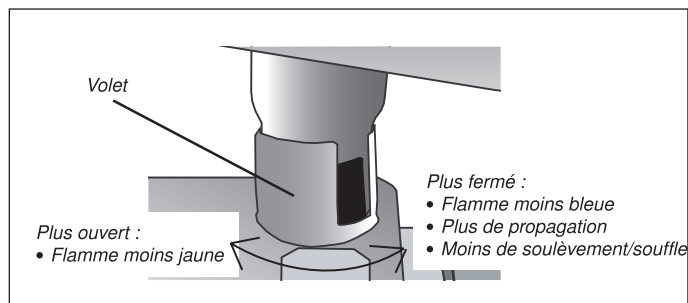
Ajuster le volet d'air du brûleur de cuisson au grill (si nécessaire)



Le volet d'air est situé à l'extrémité arrière du brûleur de cuisson au grill. Il est fixé par 7 vis au haut de la cavité du four. Retirez les vis et tirez doucement l'assemblage du brûleur en évitant de débrancher les fils électriques. Placez le brûleur contre le mur arrière de la cavité du four. Desserrez la vis et tournez le volet. Fermez le volet si la flamme se soulève, se soufle ou ne se propage pas et ouvrez le volet si la flamme est jaune. Resserrez la vis. Remplacez l'assemblage du brûleur en faisant bien attention d'insérer tous les fils à l'arrière du four. Remplacez ensuite les 7 vis.

Remarque : Le volet d'air du brûleur de cuisson au grill s'ajuste à l'orifice lorsqu'il est installé correctement.

Ajuster le volet d'air du brûleur de cuisson (si nécessaire)



Le volet d'air du brûleur du four est situé près du régulateur du four. Vous pouvez l'atteindre en passant par l'orifice d'accès du panneau arrière intérieur du tiroir-réchaud (desserrez les vis et enlevez le panneau d'accès). Desserrez la vis du volet. Fermez le volet si la flamme se soulève, se soufle ou ne se propage pas et ouvrez le volet si la flamme est jaune. Resserrez la vis. Remplacez la plaque du couvercle et le tiroir-réchaud.

Dépannage

Avant d'appeler le service de dépannage

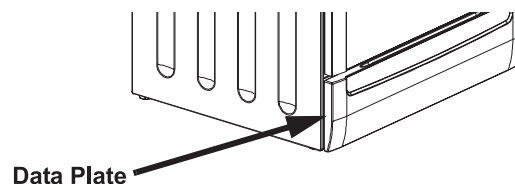
Pour des informations sur le dépannage, rapportez-vous au Manuel d'utilisation et d'entretien. Consultez la garantie dans le Manuel d'utilisation et d'entretien.

Pour contacter un technicien de dépannage, consultez les coordonnées sur la couverture avant du manuel. Lorsque vous téléphonez, soyez prêt à fournir les informations imprimées sur la plaque signalétique de votre produit.

Plaque signalétique du produit

La plaque signalétique comporte le numéro de modèle et le numéro de série. Se reporter à la plaque signalétique de l'appareil électroménager pour faire une demande de dépannage. Elle est située sur le cadre de l'appareil près du tiroir.

Ouvrez le tiroir pour la voir.



⚠ Instrucciones de seguridad importantes

LEA Y CONSERVE ESTAS INSTRUCCIONES

LEA TODAS LAS INSTRUCCIONES ANTES DE UTILIZAR ESTE ELECTRODOMÉSTICO.

⚠ ADVERTENCIA

Si no sigue la información de este manual exactamente, se puede ocasionar un incendio o una explosión que puede causar daños materiales, lesiones personales o la muerte.

No almacene ni utilice materiales combustibles, gasolina ni otros vapores y líquidos inflamables cerca de este electrodoméstico ni de cualquier otro.

⚠ ADVERTENCIA

QUÉ HACER SI SIENTE OLOR A GAS:

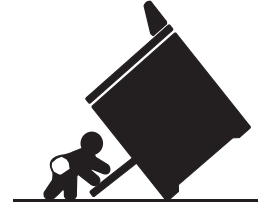
- No intente encender ningún electrodoméstico.
- No toque ningún interruptor eléctrico.
- No utilice ningún teléfono en su edificio.
- Llame inmediatamente a su proveedor de gas desde el teléfono de un vecino. Siga las instrucciones del proveedor de gas.
- Si no puede comunicarse con su proveedor de gas, llame al departamento de bomberos.

La instalación y el servicio técnico deben ser realizados por un instalador calificado, una agencia de servicio técnico autorizada o el proveedor de gas.

⚠ ADVERTENCIA

¡PELIGRO DE CAÍDA!

Un niño o un adulto pueden volcar la estufa y morir. Verifique que el soporte anticaídas esté instalado



firmermente. Asegúrese de que el soporte anticaídas esté enganchado cuando se mueva la estufa.

No utilice la estufa si el soporte anticaídas no está en su lugar. Si no se siguen las instrucciones incluidas en este manual, podrían producirse quemaduras graves o la muerte en niños y adultos.

Verifique la instalación y el uso adecuados del soporte anticaídas.

Con cuidado, incline la estufa hacia adelante jalando desde la parte trasera, a fin de asegurarse de que el soporte anticaídas esté enganchado en la pata de la estufa y evite las caídas. La estufa no debe moverse más de 1 pulg. (2.5 cm).

¿Tiene preguntas?

1-800-944-2904

www.boschappliances.com

¡Esperamos recibir sus comentarios!



Instrucciones de seguridad importantes

LEA Y CONSERVE ESTAS INSTRUCCIONES

Antes de la instalación, **apague** la alimentación eléctrica en el panel de servicio. Trabe el panel de servicio para impedir que la alimentación eléctrica se encienda accidentalmente.

Retire toda la cinta y el embalaje antes de utilizar la estufa. Destruya la caja y las bolsas de plástico después de desembalar la estufa. Nunca deje que los niños jueguen con el material de embalaje.

Nunca modifique ni altere la estructura de la estufa retirando las patas niveladoras, los paneles, las cubiertas para alambres, los soportes anticaídas/los tornillos o cualquier otra pieza del producto.

No repare ni reemplace ninguna pieza del electrodoméstico, a menos que se recomiende específicamente en los manuales. Cualquier otro tipo de reparación debe ser realizada por un técnico calificado. Esto puede reducir el riesgo de lesiones personales y de daños a la estufa.

Para eliminar el riesgo de quemaduras o de incendio al tocar las unidades de la superficie sobrecalentadas, se debe evitar dejar espacio de almacenamiento en gabinetes sobre las unidades de la superficie. Si se proporciona almacenamiento en gabinetes, el riesgo puede reducirse instalando una campana que se proyecte horizontalmente 5 pulg. (12.7 cm), como mínimo, desde la parte inferior de los gabinetes.

Verifique que los gabinetes que se encuentran arriba de la placa tengan, como máximo, 13 pulg. (330 mm) de profundidad.

No levante la puerta tomándola de la manija. Retire la puerta para facilitar la manipulación y la instalación. Consulte la sección “Cómo retirar la puerta del horno”, que se encuentra en el Manual de uso y cuidado.

Es responsabilidad del propietario y del instalador determinar si se aplican otros requisitos y/o normas en instalaciones específicas.

Seguridad con la electricidad

Antes de enchufar un cable eléctrico, asegúrese de que todos los controles estén en OFF (Apagado).

Asegúrese de que su electrodoméstico sea instalado y conectado a tierra de manera adecuada por un técnico calificado, de conformidad con el Código Nacional Eléctrico establecido por la Asociación Nacional de Protección contra Incendios y aprobado por el Instituto Nacional de Normalización Estadounidense (ANSI/NFPA 70), última edición, y con los requisitos de los códigos eléctricos locales. (En Canadá, la instalación debe realizarse de conformidad con la norma CAN 1-B149.1 y .2 y los Códigos de Instalación para Electrodomésticos de

Combustión a Gas y/o los códigos locales).

Importante: los códigos locales varían. La instalación, las conexiones eléctricas y la conexión a tierra deben cumplir con todos los códigos correspondientes.

Para los electrodomésticos equipados con cable y enchufe, **no corte ni retire la espiga de conexión a tierra.** Debe enchufarse en un receptáculo del tipo de conexión a tierra compatible para evitar la descarga eléctrica. Si tiene alguna duda respecto de si el receptáculo de pared está conectado a tierra de manera adecuada, el cliente debe solicitar la verificación de un electricista calificado.

Si el Código Nacional Eléctrico (o el Código Eléctrico Canadiense) así lo requiere, este electrodoméstico debe instalarse en un circuito derivado por separado.

Solo debe utilizarse un conjunto de cables de alimentación eléctrica **con capacidad nominal para este electrodoméstico y marcado como “para uso con estufas”.**

Instalador: muestre al propietario el lugar donde se encuentran el disyuntor o los fusibles. Márquelos para identificarlos fácilmente.

Importante: conserve estas instrucciones para uso del inspector de electricidad local.

La instalación, las conexiones eléctricas y la conexión a tierra **deben cumplir** con todos los códigos correspondientes.

Seguridad con el gas

Instale una válvula de paso de gas cerca del electrodoméstico. Esta válvula debe estar en un área fácilmente accesible en una emergencia.

El instalador debe verificar que no haya fugas según las instrucciones de este manual.

El electrodoméstico y su válvula de paso individual deben estar desconectados del sistema de tuberías de alimentación de gas durante cualquier prueba de presión, cuando la presión sea mayor que ½ psi (3.5 kPa).

Se debe aislar el electrodoméstico del sistema de tuberías de alimentación de gas cerrando la válvula de paso manual individual durante cualquier prueba de presión del sistema de tuberías de alimentación de gas con presiones de prueba iguales o menores que ½ psi (3.5 kPa)

La presión mínima de suministro debe ser una columna de agua de 1 pulgada superior a la presión de admisión impresa en la placa de datos.

La presión máxima de suministro no debe exceder una columna de agua de 14 pulgadas (34.9 milibares).

No almacene ni utilice materiales combustibles, gasolina ni otros vapores y líquidos inflamables cerca de este electrodoméstico ni de ningún otro.



Instrucciones de seguridad importantes

LEA Y CONSERVE ESTAS INSTRUCCIONES

Este electrodoméstico ha sido **certificado por la Asociación Canadiense de Normas (Canadian Standards Association, CSA) para un funcionamiento seguro** hasta una altura de 10,000 pies sin modificaciones. Excepción: para uso con propano, el electrodoméstico debe convertirse de acuerdo con las instrucciones de conversión de LP.

Para instalaciones en Massachusetts:

1. La instalación debe ser realizada por un contratista calificado o con licencia, un plomero o gasista calificado o con licencia otorgada por el estado, la provincia o la región donde se instale este electrodoméstico.
2. La válvula de paso debe tener una llave de gas con mango en "T".
3. El conector de gas flexible no debe tener una longitud superior a 36 pulg. (91.4 cm).

Instalación de gas propano

El tanque de gas propano debe estar equipado con su propio regulador de alta presión. Además, también se debe usar el regulador suministrado con esta unidad.

El electrodoméstico es enviado de fábrica para uso con gas natural. Debe convertirse para utilizar con propano. La conversión debe estar a cargo de un técnico o instalador calificado.

Instale el electrodoméstico únicamente de acuerdo con las instrucciones de instalación que se incluyen en el paquete de información para esta estufa.

Pida a su distribuidor que le recomiende un técnico calificado y un servicio de reparación autorizado.

No almacene objetos de interés para niños en los gabinetes que se encuentran sobre la estufa ni en la placa posterior de una estufa. Si los niños suben a la estufa para alcanzar objetos, podrían sufrir lesiones graves.



PRECAUCIÓN

La unidad es pesada y se requieren, al menos, dos personas o un equipo adecuado para trasladarla.

Las superficies ocultas pueden tener bordes filosos. Proceda con cuidado al intentar tomar el electrodoméstico por la parte trasera o desde abajo.

No utilice el horno ni el cajón calentador (si vienen incorporados) para almacenamiento.

Se ha realizado una prueba de este electrodoméstico de conformidad con las siguientes normas:

- ANSI Z21.1 - Household Cooking Gas Appliances
- UL 858 - Household Electric Ranges
- CAN/CSA C22.2 No. 61 - Household Cooking Ranges

Preparación

Piezas suministradas:

- Soporte anticaídas.
- 2 tornillos para madera.
- 2 tornillos para hormigón sin ancla.
- Cinta de espuma.
- Lengüetas de terminales (para utilizar con instalaciones con cableado permanente).

Nota: no se necesitan para las instalaciones en Canadá.

Herramientas y piezas necesarias:

- Conjunto de cables de alimentación eléctrica para la estufa (240 V, 30 A)*.
- Cinta métrica.
- Destornillador con cabeza Phillips.
- Llave de 1 1/4 pulg.
- Lápiz.
- Destornillador de cabeza Torx T-20.
- Nivel.
- Taladro y broca de taladro (Broca para albañilería de 3/16 pulg. para tornillos de hormigón).
- Agua jabonosa.
- Llave de cadena.
- Cinta de Teflon®**.
- Pinzas de bloqueo de canales.
- Solución de prueba de fuga de gases.
- Línea de alimentación de gas.
- Válvula de paso de gas.
- Guantes y gafas de seguridad.
- Cinta (opcional).
- Paño o cartón (opcional; para proteger el piso).

* No se necesita para las instalaciones en Canadá. Las unidades de Canadá se envían con el cable de alimentación ya instalado.

** Teflon es una marca comercial registrada de DuPont.

Piezas adicionales necesarias para instalaciones con cableado permanente

- Conducto flexible (solo para instalación con cableado permanente).
- Llave de apriete (solo para instalación con cableado permanente).

Nota: el conjunto de cables de alimentación eléctrica no se necesita para las instalaciones con cableado permanente.

Información general

Dimensiones totales

Dimensión	Pulgadas	Centímetros
Altura	36 pulg.	91.44 cm
Ancho	31 pulg.	78.74 cm
Profundidad	25 5/8 pulg.	65.09 cm

Nivel

A fin de obtener mejores resultados, los gabinetes, las encimeras, las paredes y los pisos en el lugar de instalación deben estar tan nivelados y a plomo como sea posible. Si no están nivelados, esto puede dañar las encimeras y los pisos durante la instalación, puede poner en peligro el sello que rodea la placa y puede afectar el rendimiento de la cocción y del horneado en forma adversa.

Preparar la unidad

Retirar todo el material de embalaje y deséchelo

ADVERTENCIA

Retire toda la cinta y el embalaje antes de utilizar el electrodoméstico. Destruya el embalaje después de desembalar el electrodoméstico. Nunca deje que los niños jueguen con el material de embalaje.

Consejos:

Coloque la estufa sobre una parte del cartón para proteger los pisos.

Retirar el cajón y dejarlo a un lado

1. Jale el cajón completamente.
2. Ubique los ganchos de bloqueo sobre los rieles, uno en cada lado.
3. Empuje hacia arriba el gancho que se encuentra en el riel izquierdo. Jale el cajón hacia afuera hasta que el gancho se trabe.
4. Empuje hacia abajo el gancho que se encuentra en el riel derecho. Jale el cajón hacia afuera hasta que el gancho se trabe.
5. Jale el cajón hacia afuera y déjelo a un lado.
6. Empuje los rieles en la estufa.

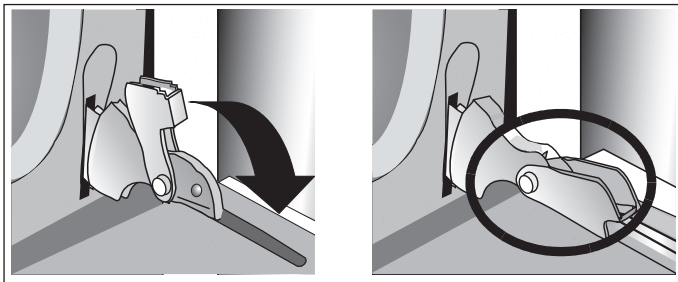
Retirar la puerta del horno y dejarla a un lado

⚠ ADVERTENCIA

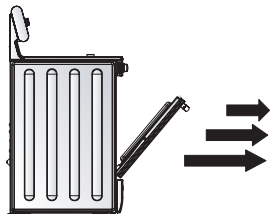
Al retirar la puerta del horno:

- Asegúrese de que el horno esté frío y de que la alimentación eléctrica del horno esté apagada antes de retirar la puerta. No hacerlo puede ocasionar una descarga eléctrica o quemaduras.
- La puerta del horno es pesada y frágil. Use las dos manos para retirar la puerta del horno. El frente de la puerta es de vidrio. Manipúlela con cuidado para que no se rompa.
- Tome la puerta del horno solo por los costados. No la tome de la manija, porque puede deslizarse de la mano y causar daños o lesiones.
- No tomar la puerta del horno con firmeza y de manera adecuada puede ocasionar lesiones personales o daños al producto.
- Para evitar lesiones cuando se cierra la bisagra, asegúrese de que ambas palancas estén firmemente en su lugar antes de retirar la puerta. Tampoco abra ni cierre la puerta forzándola; la bisagra puede dañarse y ocasionar lesiones.

1. Asegúrese de leer la ADVERTENCIA anterior antes de intentar retirar la puerta.
2. Abra la puerta completamente.
3. Lleve las palancas de las bisagras (una en cada lado) hacia usted.



4. Cierre la puerta hasta que se detenga. Estará abierta hasta la mitad aproximadamente.



5. Sujetando la puerta firmemente de ambos lados, con las dos manos, jale la puerta hacia afuera y sáquela de las ranuras de las bisagras. Sujete la puerta con firmeza, ya que es pesada.
6. Coloque la puerta en un lugar estable.

Requisitos eléctricos

Para obtener más información, consulte la placa de datos. Consulte “Placa de datos del producto” que se encuentra en la página 47, a fin de determinar la ubicación de la placa de datos.

Recomendamos que la estufa se instale con un conjunto de cables de alimentación (no suministrado). La capacidad nominal eléctrica del conjunto de cables de alimentación debe ser de 120/240 voltios, 30 A como mínimo. El conjunto de cables de alimentación debe marcarse como “Para uso con estufas”. Utilice siempre un cable de alimentación nuevo.

Nota: en Canadá, la estufa se envía de fábrica con el cable de la estufa ya instalado.

Las estufas tienen una capacidad nominal doble para uso en 120/240 VAC o 120/208 VAC. Revise la placa de datos para obtener información sobre la capacidad nominal en kW. Consulte la capacidad nominal en kW que aparece en la siguiente tabla para determinar los requisitos de amperaje.

Especificaciones eléctricas

VOLTIOS CA	HZ	CAPACIDAD NOMINAL EN KW	DISYUNTOR
120/240	60	6.2	30 A
120/208	60	4.8	30 A

La toma de corriente eléctrica debe colocarse en el espacio sombreado que se muestra en la figura que aparece en la siguiente columna.

Verificar que el cableado del hogar sea adecuado

Comuníquese con su compañía de servicios públicos local para verificar que el servicio eléctrico actual de su hogar sea adecuado. En algunos casos, debe aumentarse el tamaño del cableado del hogar y del interruptor de servicio, a fin de soportar la carga eléctrica que demanda la estufa.

La mayoría de los códigos de cableado requieren un circuito independiente con interruptor de desconexión y fusibles por separado, ya sea en el panel de entrada principal o en una caja de interruptores y de fusibles por separado.

La estufa requiere un circuito de, como mínimo, tres alambres, de 120/240 ó 120/208 voltios, 30 A, 60 Hz, CA. Consulte los códigos locales para obtener las capacidades nominales adecuadas en amperajes. Se prefiere una conexión de cuatro alambres.

La mayoría de las reglamentaciones y los códigos sobre construcción locales requieren que el cableado eléctrico sea realizado por electricistas con licencia. Asegúrese de instalar su estufa según los códigos eléctricos implementados en su región.

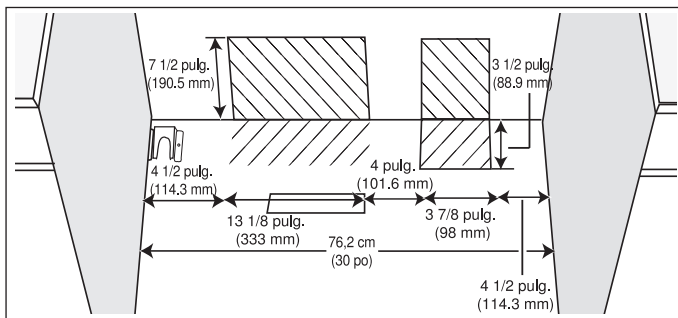
Requisitos de gas

⚠ PRECAUCIÓN

Asegúrese de que la válvula de paso de gas y todos los controles de las hornillas estén en **OFF** (Apagado) antes de comenzar.

Cierre la válvula de alimentación de gas principal antes de desconectar la antigua estufa y déjela en esa posición hasta que la conexión nueva haya finalizado.

No olvide encender nuevamente el piloto en otros electrodomésticos a gas cuando restablezca el suministro de gas.



Si no hay una válvula de paso de gas, instálela en una ubicación de fácil acceso.

Asegúrese de que todos los usuarios sepan dónde desconectar la alimentación de gas de la estufa y cómo hacerlo.

Nota: el instalador debe informar al consumidor acerca del lugar donde se ubica la válvula de paso de gas.

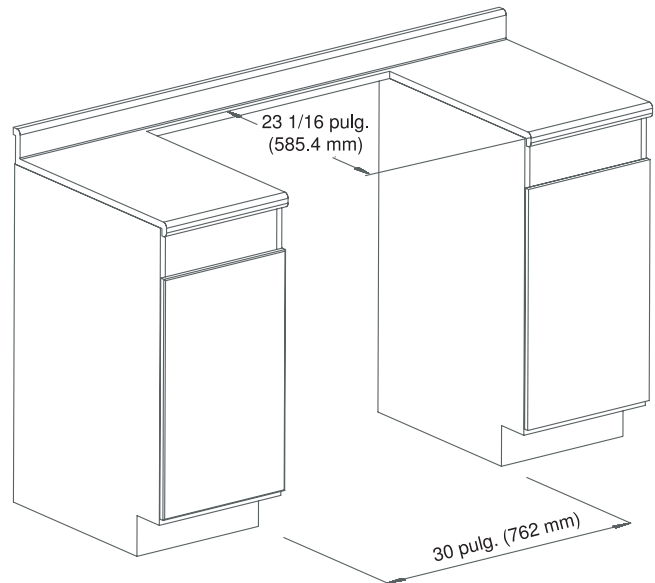
Nota importante para los usuarios de LP

La estufa se envía de fábrica para uso con gas natural. Para uso con gas propano (LP), su estufa debe convertirse primero utilizando un kit de conversión de LP.

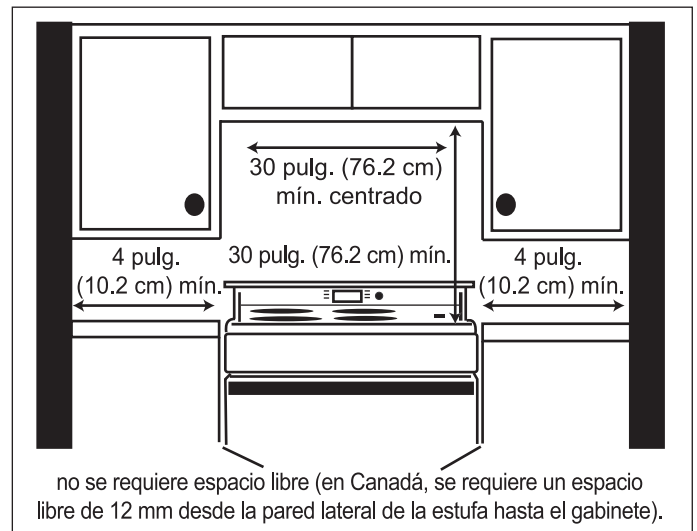
Requisitos de gabinetes

Esta unidad está diseñada para instalación cerca de las paredes adyacentes y las superficies que sobresalgan hechas de materiales combustibles. Prepare la encimera y los gabinetes.

Deje un espacio mínimo de 30 pulg. (76.2 cm) entre los gabinetes en el lugar donde se instalará la estufa.



Nota: la estufa deslizante también puede reemplazar una estufa independiente. En este caso, verifique que la apertura sea de, al menos, 30 pulg. (76.2 cm).



Instalar la ventilación

Bosch recomienda enfáticamente la instalación de una campana de ventilación sobre esta estufa. Para la mayoría de las cocinas, se recomienda una campana certificada con una capacidad nominal de no menos de 300 CFM. La campana de la estufa debe instalarse según las instrucciones que se proporcionan con la campana.

NOTA: El electrodoméstico no debe instalarse con un sistema de ventilación que disperse aire hacia abajo, en dirección a las hornillas. Este tipo de sistema de ventilación puede causar problemas de encendido y de combustión con el electrodoméstico para cocinar a gas, que pueden tener como consecuencia lesiones personales o una operación no intencional.

Espacio libre requerido¹

ADVERTENCIA

Para eliminar el riesgo de quemaduras o incendio al tocar las unidades de la superficie sobrecalentadas, se debe evitar dejar espacio de almacenamiento en gabinetes sobre las unidades de la superficie. Si se proporciona almacenamiento en gabinetes, el riesgo puede reducirse instalando una campana que se proyecte horizontalmente 5 pulg. (12.7 cm), como mínimo, desde la parte inferior de los gabinetes.

Desde la placa hasta los materiales que se encuentran arriba: debe haber un espacio libre de 30 pulg. (76.2 cm), como mínimo, entre la parte superior de la superficie de cocción y la parte inferior del gabinete de madera o de metal que no está protegida.

Se acepta un espacio de 24 pulg. (61 cm) si la parte inferior del gabinete de madera o de metal está protegida por (a) material ignífugo de no menos de 1/4 pulg. (6.4 mm) que debe estar cubierto con (b) una plancha metálica, al menos, n.º 28 MSG de acero inoxidable de 0.015 pulg. (0.4 mm) o de aluminio o de cobre de 0.024 pulg. (0.6 mm).

Desde las paredes de la estufa hasta los materiales adyacentes: preparación del gabinete. No se requiere

ningún espacio libre desde las paredes de la unidad hasta las paredes combustibles verticales adyacentes que se encuentran en la parte trasera, en el lado derecho o izquierdo.

El espacio libre desde la parte superior de la estufa hasta las paredes verticales adyacentes debe ser de, al menos, 4 pulg. (10.2 cm).

Nota: los acabados de algunos gabinetes no resisten las temperaturas permitidas por las normas de seguridad, especialmente para los hornos con proceso de autolimpieza; los gabinetes pueden descolorarse o mancharse. Esto se nota más con los gabinetes laminados.

Preparar las paredes y el piso

Cierre cualquier orificio que se encuentre en las paredes o en el piso. Retire cualquier obstrucción (conexiones de gas o conexiones eléctricas adicionales, etc.) de manera que la estufa se apoye contra la pared de forma adecuada.

Requisitos de la encimera

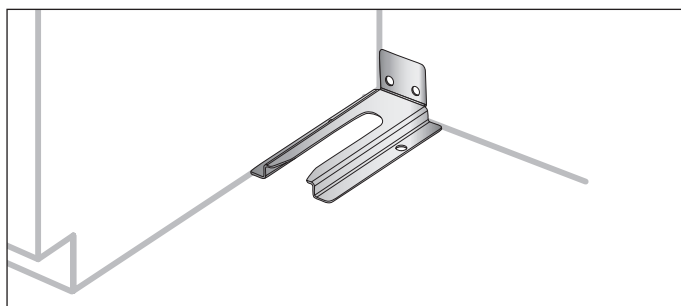
Las encimeras deben ser lisas y niveladas.

¹ Las instrucciones fueron determinadas utilizando los gabinetes estándares de los EE. UU. Los gabinetes básicos estándares miden 36 pulg. (91.4 cm) de alto x 24 pulg. (61 cm) de profundidad. Los gabinetes que se encuentran sobre la superficie de cocción y los gabinetes adyacentes a aquellos que se encuentran sobre la superficie de cocción tienen 13 pulg. (33 cm) de profundidad desde la pared trasera. Si se utilizan gabinetes no estándares, se debe tener cuidado de alterar las dimensiones según corresponda.

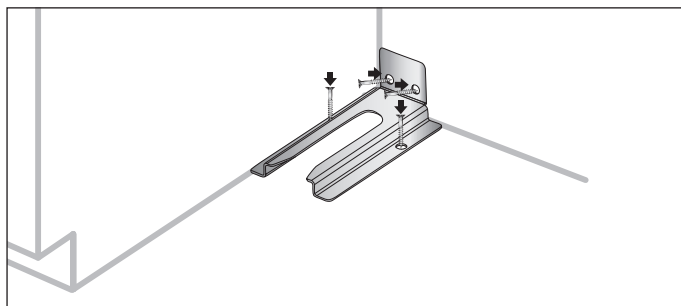
Procedimiento

Instalación del soporte anticaídas

1. Ajuste la altura de la estufa y el nivel girando las bases regulables de las patas que se encuentran en la parte inferior de la estufa. Para ello, utilice una llave de 1 1/4 pulg. (32 mm).
2. Establezca la posición del soporte como se muestra a continuación.



3. Fije el soporte al piso o a la pared con 2 tornillos. Según el material del piso o de la pared, utilice tornillos para madera o tornillos para hormigón sin ancla (incluidos). Los tornillos para hormigón requieren una broca para albañilería de 3/16 pulg. Los tornillos deben brindar una sujeción firme en la madera o en el piso sólidos. No intente colocar en pared seca.



Aplicar cinta de espuma

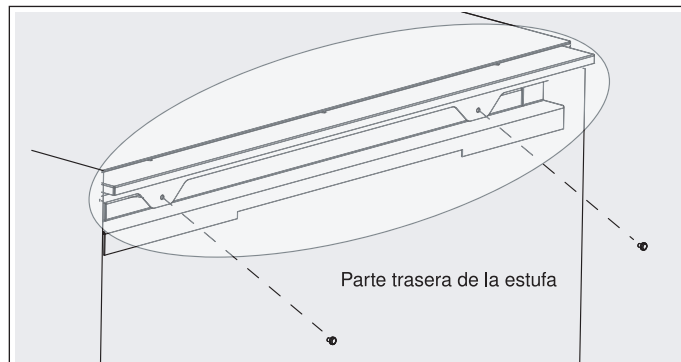
Aplique cinta de espuma a la parte inferior de la moldura de la placa en una pieza continua.

Instalar la moldura de pared trasera (opcional)

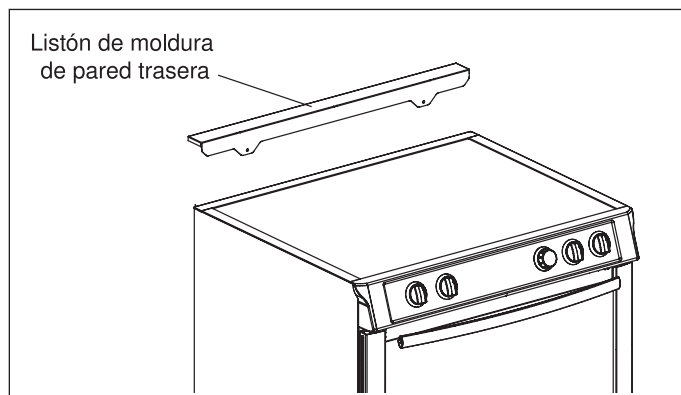
Nota: este paso solo se requiere si la encimera no se conecta detrás de la estufa (es decir, al reemplazar una estufa independiente). Si se requiere una moldura de pared trasera y tornillos de sujeción, estos pueden pedirse al centro de servicio técnico llamando al 800-944-2904 sin cargo alguno, durante un máximo de un año después del día de la compra de su estufa deslizable.

Al hacer el pedido, solicite al servicio técnico la pieza del conjunto de moldura de pared trasera n.º 652010.

Instale 2 tornillos a través de los orificios de la moldura y en la pared trasera de la estufa.



Instale el listón de la moldura de pared trasera.



Conectar la electricidad

Pueden realizarse dos conexiones eléctricas:

1. Cable de cuatro alambres de la estufa.
2. Cable de tres alambres de la estufa

La conexión con cables de cuatro alambres de la estufa es el método recomendado, pero si los códigos locales lo permiten, también se aceptan las conexiones de tres alambres.

Nota: en Canadá, la estufa se envía de fábrica con el cable de la estufa ya instalado.

Para las instalaciones que no se realicen en Canadá, conecte el cable de la estufa al bloque de terminales (consulte la próxima página para obtener instrucciones detalladas). Acceda al bloque de terminales retirando la cubierta que se encuentra en la esquina inferior derecha del panel posterior de la estufa.

Instalar el aliviador de tensiones

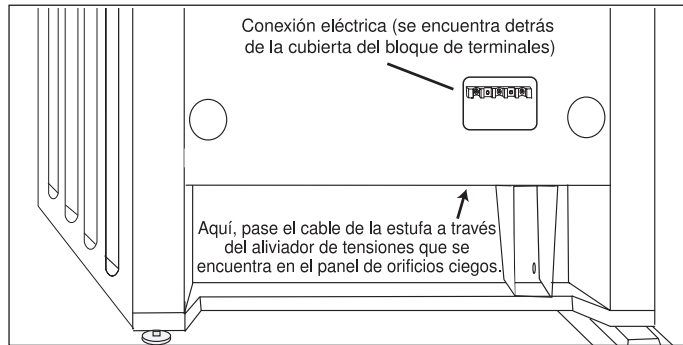
Coloque el aliviador de tensiones en el orificio ciego que se encuentra debajo del bloque de terminales.

⚠ ADVERTENCIA

El aliviador de tensiones que se proporciona con el cable de su estufa debe instalarse de manera adecuada.

Los aliviadores de tensiones varían. Lea y siga atentamente las instrucciones que se incluyen con su aliviador de tensiones.

1. En el panel de orificios ciegos que se encuentra debajo del bloque de terminales, retire el orificio ciego que coincida con su aliviador de tensiones.
2. Pase el cable de la estufa a través del orificio y del aliviador de tensiones hasta el bloque de terminales. Deje que el cable esté holgado entre el aliviador de tensiones y el bloque de terminales.
3. Una vez que se haya ajustado la longitud/la holgura del cable, coloque el aliviador de tensiones de acuerdo con las instrucciones que se incluyen con el aliviador de tensiones.



Consejo: el panel de orificios ciegos (que se encuentra debajo del bloque de terminales) puede retirarse de la estufa para instalar el aliviador de tensiones: retire el panel de la estufa, instale el aliviador de tensiones en el panel y coloque el panel nuevamente. NO retire el panel posterior de la estufa por completo.

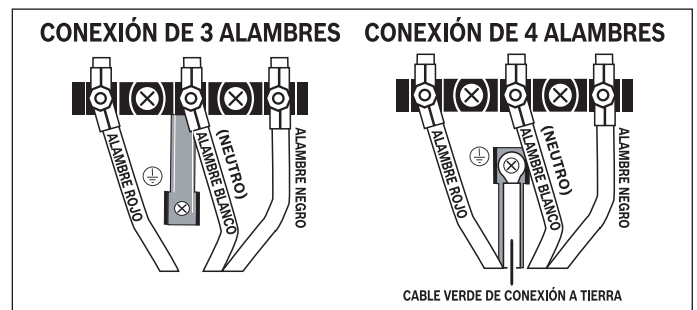
⚠ ADVERTENCIA

Riesgo de descarga eléctrica o incendio. La conexión a tierra del marco con el cable neutro debe realizarse a través de una correa de conexión a tierra. Se prohíbe hacer la conexión a tierra a través del conductor neutro para instalaciones nuevas de circuito derivado (1996 NEC), casas rodantes y vehículos recreativos, o en un área en la que los códigos locales prohíban la conexión a tierra a través del conductor neutro.

Para instalaciones en las que se prohíbe la conexión

a tierra a través del conductor neutro: (a) desconecte la conexión del conductor neutro; (b) utilice la terminal o el hilo de conexión a tierra para conectar a tierra la unidad; (c) conecte la terminal neutra al hilo neutro del circuito derivado como lo haría usualmente (cuando el electrodoméstico se conecte a través de un conjunto de cables, utilice un cable de 4 conductores para este fin).

Utilice solo los conjuntos para cables con capacidad nominal de 125/250 voltios (como mínimo), 30 A y que tengan la etiqueta "Para uso con estufas". El aliviador de tensiones que se proporciona con el cable debe instalarse según las instrucciones que se incluyen con el cable.

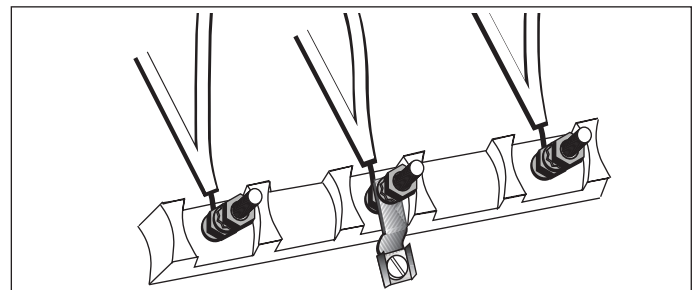


⚠ ADVERTENCIA

Para prevenir descargas eléctricas, la clavija de conexión a tierra del cable de la estufa no debe cortarse ni retirarse en ningún caso. Debe enchufarse en un receptáculo del tipo de conexión a tierra compatible y conectarse a un circuito de 240 voltios correctamente polarizado. Si tiene alguna duda respecto de si el receptáculo de pared se encuentra conectado a tierra de manera adecuada, debe solicitar la verificación de un electricista calificado.

Conexión con cables de cuatro alambres de la estufa (método recomendado)

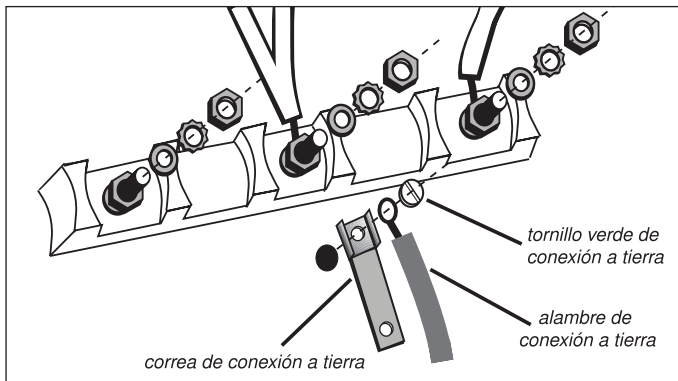
1. Desconecte la alimentación eléctrica en la caja de disyuntores.
Retire la cubierta del bloque de terminales para dejar expuesto el bloque de terminales.



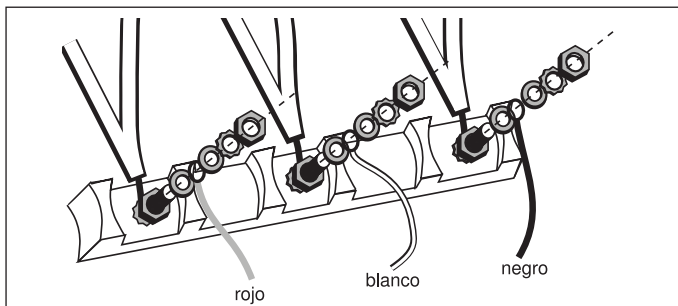
2. Retire la tuerca superior, la arandela dentada y la arandela redonda de cada borne.

Nota: NO retire la última arandela redonda, la última tuerca ni los hilos de cableado interno.

3. Retire el tornillo del extremo inferior de la correa de conexión a tierra.
4. Retire la correa de conexión a tierra del borne central, gírela de manera que el extremo más ancho se encuentre en la parte superior y conecte el extremo más ancho a la estufa a través del orificio que se encuentra debajo de la caja de empalme. Coloque el alambre verde en la parte superior de la correa de conexión a tierra. Apriete el tornillo.



5. Coloque el alambre rojo, la arandela redonda, la arandela dentada y la tuerca EN ESTE ORDEN en el borne izquierdo.
6. Coloque el alambre blanco, la arandela redonda, la arandela dentada y la tuerca EN ESTE ORDEN en el borne central.
7. Coloque el alambre negro, la arandela redonda, la arandela dentada y la tuerca EN ESTE ORDEN en el borne derecho.



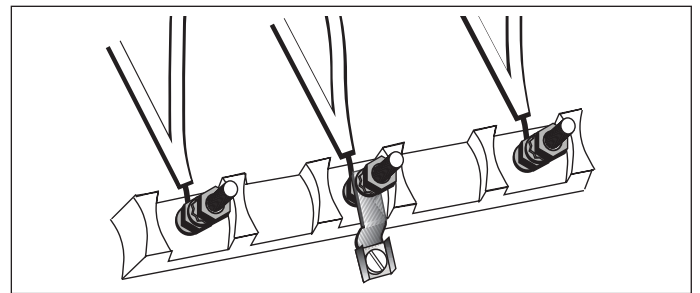
8. Apriete todas las conexiones firmemente y vuelva a colocar la cubierta del bloque de terminales.
9. Fije el aliviador de tensiones de manera adecuada (consulte la sección anterior).

Nota: NO enchufe la estufa en este momento.

Conexión con cables de tres alambres de la estufa

Se prefiere la conexión de cuatro alambres (mencionada anteriormente), pero en los casos en que los códigos y las ordenanzas locales permitan la conexión a tierra a través de un cable neutro y en los casos en que la conversión a cuatro alambres no sea posible, la unidad puede conectarse a la alimentación eléctrica a través de una conexión de tres alambres.

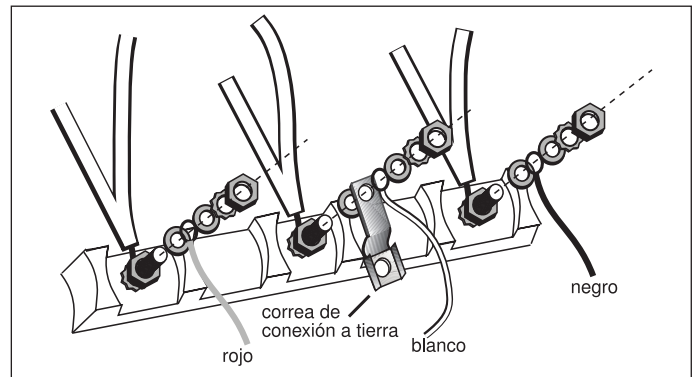
1. Desconecte la alimentación eléctrica en la caja de disyuntores.
2. Retire la cubierta del bloque de terminales para dejar expuesto el bloque de terminales.



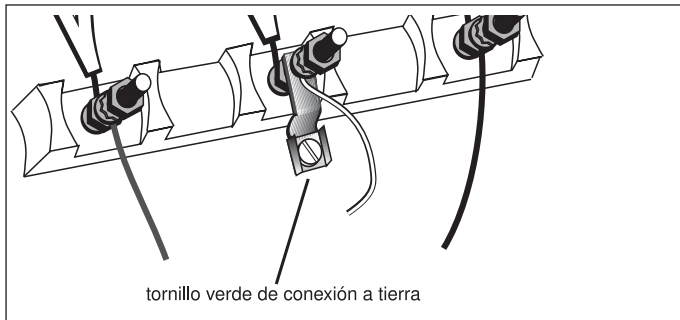
3. Retire la tuerca superior, la arandela dentada y la arandela redonda de cada borne.

Nota: NO retire la última arandela redonda, la última tuerca ni los hilos de cableado interno.

4. Coloque el alambre blanco, la arandela redonda, la arandela dentada y la tuerca EN ESTE ORDEN en la parte superior de la correa de conexión a tierra que se encuentra en el borne central.
5. Coloque el alambre rojo, la arandela redonda, la arandela dentada y la tuerca EN ESTE ORDEN en el borne izquierdo.
6. Coloque el alambre negro, la arandela redonda, la arandela dentada y la tuerca EN ESTE ORDEN en el borne derecho.



7. Apriete todas las conexiones firmemente y vuelva a colocar la cubierta del bloque de terminales.



8. Fije el aliviador de tensiones de manera adecuada (consulte la sección anterior).

Nota: NO enchufe la estufa en este momento.

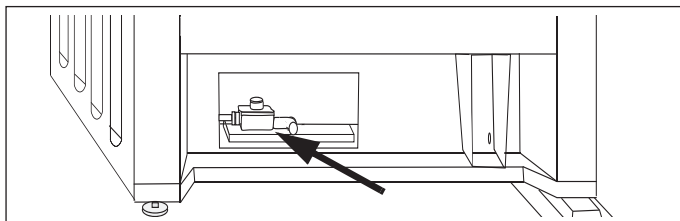
Conectar la alimentación de gas

Cierre la válvula de alimentación de gas principal antes de desconectar la antigua estufa y déjela en esa posición hasta que la conexión nueva haya finalizado. No olvide encender nuevamente el piloto en otros electrodomésticos a gas cuando restablezca el suministro de gas.

La estufa puede instalarse utilizando una tubería rígida o un conector de metal flexible del electrodoméstico con certificación internacional de la CSA. Si se utiliza un conector flexible, utilice siempre un conector nuevo.

Aplique un compuesto de unión de tuberías o una cinta de Teflon** adecuados para uso con gas LP y gas natural alrededor de todas las roscas macho para tuberías, a fin de prevenir fugas.

La conexión de gas se encuentra debajo del panel posterior de la estufa. Se puede tener acceso a la conexión de gas a través del panel de acceso del cajón o desde la parte trasera de la estufa. Para llegar al panel de acceso, retire el cajón.

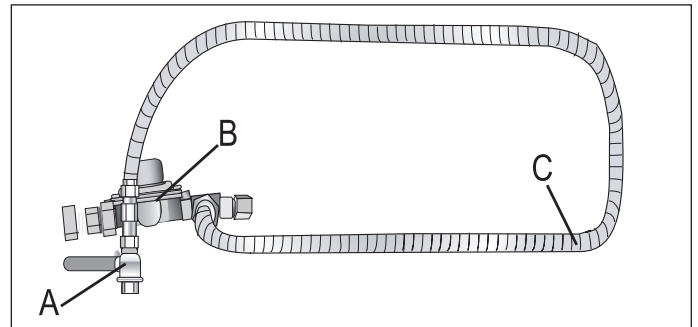


Nota importante para los usuarios de LP: la estufa se envía de fábrica para uso con gas natural. Para uso con gas propano (LP), su estufa debe convertirse primero utilizando un kit de conversión de LP.

Método con conector flexible

Si se utiliza la tubería rígida, salte los siguientes pasos y vaya a “Método con tubería rígida” que se encuentra en la página 44.

Colocar el conector



Letra	Artículo
A	Válvula de paso de gas
B	Regulador
C	Conector flexible

1. Instale un adaptador abocinado macho de 1/2 pulg. (12.7 mm) en la rosca interna NPT de 1/2 pulg. (12.7 mm) de la entrada de la estufa. Utilice una llave de reserva en la conexión acodada para evitar daños.
2. Instale un adaptador de unión abocinado de 1/2 pulg. (12.7 mm) o de 3/4 pulg. (19 mm) en la rosca interna de la válvula de paso manual.
3. Conecte el conector de metal flexible del electrodoméstico.

Enchufar el cable de la estufa

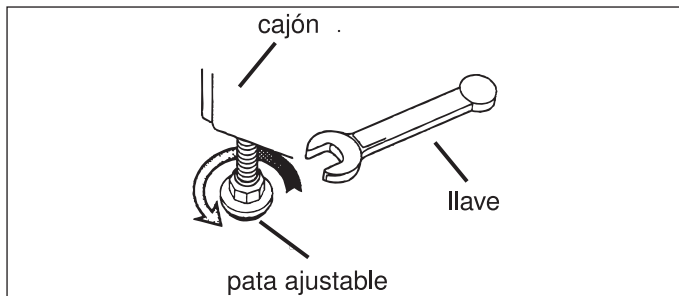
1. Asegúrese de que el disyuntor esté desconectado y, luego, enchufe el cable de la estufa en la toma de corriente eléctrica.
2. Conecte el conector flexible a la válvula de entrada de gas.

⚠ PRECAUCIÓN

Antes de enchufar un cable eléctrico, asegúrese de que todos los controles estén en **OFF** (Apagado).

Ajustar las patas niveladoras

1. Alinee la estufa delante de la apertura.
2. Mida la esquina posterior izquierda de la apertura desde el piso hasta la parte superior de la encimera.
3. Mida la esquina posterior izquierda de la estufa hasta la parte inferior de la moldura de la placa. Ajuste la pata niveladora hasta que la altura sea equivalente a la dimensión de la esquina.
4. Repita con la esquina posterior derecha.
5. Ajuste las patas niveladoras delanteras de manera que la parte inferior de la moldura de la placa sea $\frac{1}{2}$ pulg. (12.7 mm) más alta que la superficie de la encimera correspondiente.



Deslizar la estufa hacia la apertura

1. Enchufe el cable de alimentación.
2. Deslice la estufa hacia la apertura y tenga cuidado de no dañar las encimeras, los pisos o la parte delantera del cajón de la estufa. No presione la placa al deslizar la estufa hacia su posición. Tenga cuidado de no plisar el conector flexible.

Consejos:

1. Si la estufa no se desliza fácilmente, utilice agua jabonosa para humedecer los siguientes puntos de presión:
 - La encimera.
 - La cinta de espuma.
 - El piso debajo de las patas de la estufa.
2. Retire el cajón y la puerta del horno para evitar daños.
3. Para evitar que se dañe el electrodoméstico, presione el marco que rodea la apertura de la cavidad del horno.

3. Limpie con agua jabonosa.

Verificar la parte trasera de la estufa para una instalación adecuada

1. Si se instala de manera adecuada, la moldura de la placa que rodea la parte trasera de la estufa se apoyará levemente sobre la encimera.
2. No debe haber ninguna separación entre la encimera y la moldura; sin embargo, el peso de la estufa no debe apoyarse sobre la encimera. Observe debajo de la estufa para verificar que ambas patas traseras estén firmemente apoyadas sobre el piso. También verifique que la pata izquierda de la estufa se encuentre debajo del soporte anticaídas.

Nota: al reemplazar el modelo independiente, el listón de la moldura de pared trasera debe quedar al nivel de la pared.

⚠ PRECAUCIÓN

Verifique que el peso de la estufa no se apoye sobre la encimera.

Esto podría ocasionar daños en la encimera y en el electrodoméstico.

3. Si las patas traseras no se encuentran apoyadas firmemente sobre el piso o si la pata izquierda no se encuentra debajo del soporte anticaídas, deslice la estufa hacia afuera, ajuste las patas y vuelva a deslizar la estufa hacia adentro.

Ajustar la parte delantera de la estufa para una instalación adecuada

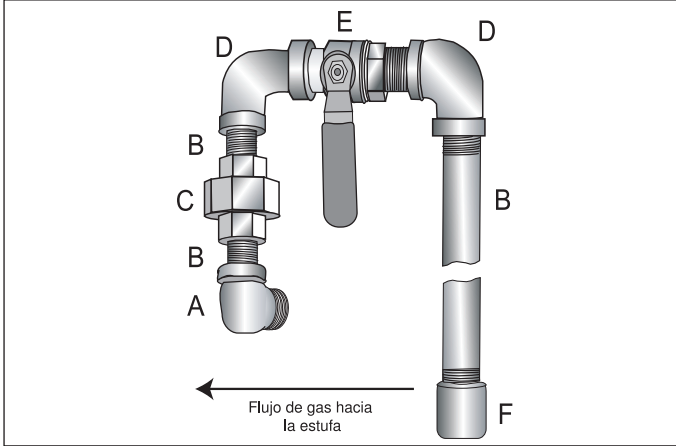
1. Ajuste las patas niveladoras delanteras de manera que la moldura de la placa se apoye completamente contra la encimera.
2. Verifique que ambas patas delanteras se apoyen firmemente sobre el piso.
3. Utilice un nivel para verificar que la estufa esté nivelada y a plomo.
4. Con cuidado, incline la estufa hacia adelante para asegurarse de que el soporte anticaídas esté encajado y evite las caídas.

La conexión de gas ha finalizado. Continúe con "Realizar una prueba de fugas de gas" que se encuentra en la página 45.

Método con tubería rígida

Si se utiliza un conector flexible, regrese a “Método con conector flexible” que se encuentra en la página 42.

Colocar una tubería rígida



Letra	Elemento
A	Codo; conecte el regulador aquí
B	Empalme
C	Unión
D	Codo
E	Válvula de paso de gas
F	Tubería de gas de ½ pulg. a ¾ pulg.

La configuración de la conexión de la tubería rígida variará según la ubicación del muñón de la tubería de gas.

Probar la instalación

Realizar una prueba de fugas de gas

La prueba de fugas debe ser realizada por el instalador según las instrucciones que se brindan en esta sección.

Encienda el gas. Coloque un líquido de detección de fugas no corrosivo en todas las juntas y los accesorios de la conexión de gas entre la válvula de paso y la estufa. Incluya los accesorios de gas y las juntas en la estufa si existe la posibilidad de que se hayan movido las conexiones durante la instalación. **La presencia de burbujas alrededor de los accesorios y las conexiones indican una fuga.**

Si se produce una fuga, apague la válvula de paso de gas de la línea de alimentación y apriete las conexiones. Vuelva a verificar que no haya fugas abriendo la válvula de paso de gas de la línea de alimentación. Cuando haya finalizado de verificar que no haya fugas (no hay burbujas), la prueba está completa. Limpie todos los restos de líquido de detección.

PRECAUCIÓN

Nunca verifique que haya fugas con una llama.

No continúe con el próximo paso hasta que se hayan eliminado todas las fugas.

Probar las hornillas de la parrilla

Encienda la alimentación eléctrica en el disyuntor.

PRECAUCIÓN

Si la pantalla de LCD titila y emite bips en forma continua, el cableado se ha instalado en forma incorrecta. Verifique que el cableado del hogar se haya instalado correctamente. Si fue instalado en forma incorrecta, llame al servicio técnico de Bosch.

Pruebe el encendido de la hornilla. Seleccione la perilla de una hornilla que se encuentre en la parrilla. Empuje y gire hacia el lugar en el que se encuentra el símbolo de la llama. Si el encendedor/ el módulo de encendido por chispas funcionan correctamente, producirán un clic. Una vez que se haya purgado el aire de las líneas de suministro, la hornilla debe encenderse en el término de cuatro (4) segundos. Después de que se encienda la hornilla, gire la perilla a OFF (Apagado).

Pruebe la llama: valores de llama altos. Encienda la hornilla en HI (Alto).

Consulte el recuadro “Cómo verificar las características de la llama” para obtener las características adecuadas de la llama.

Si alguna de las hornillas continúa encendida con una llama amarilla en su totalidad o en su mayor parte, llame al servicio técnico de Bosch.

Pruebe la llama: valores de llama bajos. Encienda la hornilla en LO (Bajo).

Verifique que la hornilla se encienda completamente. Debe haber una llama en cada orificio de la hornilla y no debe haber un espacio de aire entre la llama y la hornilla. Si alguna de las hornillas no se enciende completamente, llame al servicio técnico de Bosch.

Pruebe el encendido y la llama de cada hornilla de la parrilla, según se describe anteriormente.

SI LA LLAMA ESTÁ CORRECTAMENTE AJUSTADA:

Debe haber una llama en cada orificio de la hornilla de la parrilla.

No debe haber un espacio de aire entre la llama y el orificio de la hornilla.

Probar las hornillas del horno

Retire la cubierta inferior del horno. Retire los dos tornillos de mariposa traseros; deslice la cubierta hacia adelante para sacarla.

Pruebe el encendido de la hornilla para hornear.

Programe el horno para hornear a 350 °F. Después de 30 a 75 segundos, se encenderá la hornilla.

La hornilla permanecerá encendida hasta que alcance los 350 °F y, luego, se apagará. Desde ese momento, la hornilla se encenderá y se apagará cíclicamente para mantener la temperatura.

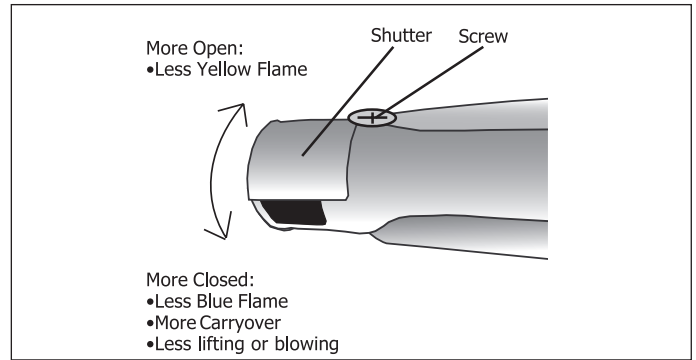
Pruebe la llama de la hornilla para hornear. Mientras la hornilla esté encendida,

inspeccione la llama. Consulte el recuadro “Cómo verificar las características de las llamas” para obtener las características adecuadas de la llama. Si la llama es amarilla en su totalidad o en su mayor parte, ajuste el obturador de aire de la hornilla para hornear. Consulte “Ajustar la llama” para obtener detalles.

Pruebe el encendido de la hornilla para asar con calor directo. Programe el modo de cocción en Asar con calor directo en HI (Alto). La hornilla se encenderá después de 30 a 75 segundos.

Probar la llama de la hornilla para asar con calor directo. Mientras la hornilla esté encendida, inspeccione la llama. Consulte la figura para obtener las características adecuadas de la llama. Si la llama es amarilla en su totalidad o en su mayor parte, ajuste el obturador de aire de la hornilla para asar con calor directo. Consulte “Ajustar la llama” para obtener detalles.

Reemplace la cubierta inferior del horno. Deslice la cubierta en su lugar y reemplace los dos tornillos de mariposa traseros.



Cómo verificar las características de las llamas

Llamas amarillas:

Se requiere un ajuste adicional.

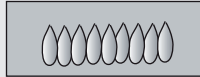


Puntas amarillas en conos externos: Normal para gas LP.



Llamas azul claro:

Normal para gas natural.



Llamar al servicio técnico de Bosch al 800-944-2904 si:

1. Alguna de las hornillas no se enciende.
2. La llama de la hornilla para asar con calor directo o de la hornilla para hornear se apaga antes de que alcance los 350 °F.
3. Alguna de las hornillas continúa encendida con una llama amarilla.

Si se necesita ajustar la llama, continúe con “Ajustar la llama”. De otro modo, la instalación finaliza en este momento.

Ajustar la llama (si es necesario)

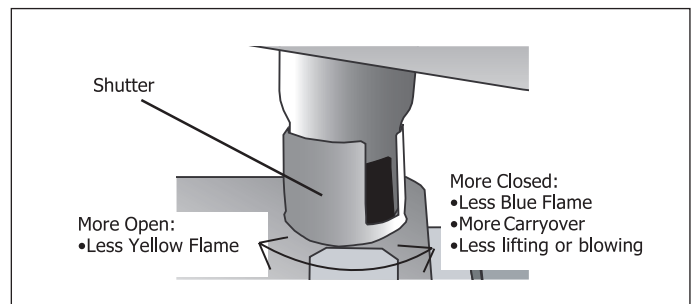
⚠ ADVERTENCIA

¡Deje que la(s) hornilla(s) se enfríe(n) antes de intentar retirarla(s)!

Ajustar el obturador de aire de la hornilla para asar con calor directo (si es necesario)

El obturador de aire se encuentra en el extremo posterior de la hornilla para asar con calor directo. Está sujeto a la parte superior de la cavidad del horno con 7 tornillos. Retire los tornillos y, suavemente, jale la hornilla para asar con calor directo hacia afuera con firmeza y tenga cuidado de no quitar los cables eléctricos. Coloque la hornilla para asar con calor directo contra la pared trasera de la cavidad del horno. Afloje el tornillo y gire el obturador. Cierre el obturador si la llama se levanta o se separa, o si no tiene continuidad. Abra el obturador si la llama es demasiado amarilla. Apriete el tornillo. Reemplace el conjunto para asar con calor directo y tenga cuidado al pasar todos los cables a través de la parte trasera del horno. Coloque los 7 tornillos nuevamente.

Nota: el obturador de aire de la hornilla para asar con calor directo calza sobre el orificio si se instala correctamente. Ajustar el obturador de aire de la hornilla para hornear (si es necesario).



El obturador de aire de la hornilla del horno se encuentra cerca del regulador del horno. Acceda a este a través del orificio de acceso que se encuentra en el panel posterior interno del cajón calentador (afloje los tornillos y retire el panel de acceso). Afloje el tornillo del obturador. Cierre el obturador si la llama se levanta o se separa, o si no tiene continuidad. Abra el obturador si es demasiado amarilla. Apriete el tornillo. Coloque la placa de cubierta nuevamente y reemplace el cajón calentador.

Servicio técnico

Antes de llamar al servicio técnico

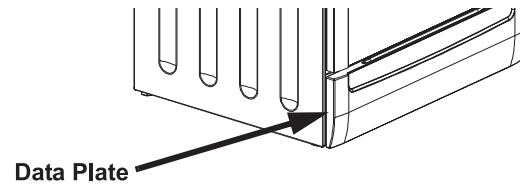
Para obtener información sobre resolución de problemas, consulte el Manual de uso y cuidado. Consulte la garantía en el Manual de uso y cuidado.

Para consultar a un representante de servicio técnico, remítase a la información de contacto que aparece en el frente del manual. Cuando llame, tenga a la mano la información impresa en la placa de datos de su producto.

Placa de datos del producto

La placa de datos muestra el modelo y el número de serie. Al solicitar servicio técnico, consulte la placa de datos del electrodoméstico. Está ubicada en el marco cerca del cajón.

Abra el cajón para verla.





BOSCH

Invented for life

1901 Main Street, Suite 600 Irvine, CA 92614 800-944-2904 • www.boschappliances.com
9000834390 • 5V0NWM • Rev. B • 10/12 © BSH Home Appliances Corporation