

INSTALLATION INSTRUCTIONS

FOR USE WITH BOSCH DUAL FUEL RANGES

NOTICE D'INSTALLATION

À UTILISER AVEC LES FOURS BI-COMBUSTIBLES DE BOSCH

INSTRUCCIONES DE INSTALACIÓN

PARA UTILIZAR CON ESTUFAS DE DOBLE COMBUSTIBLE DE BOSCH



BOSCH

Invented for life

Table of content

Important Safety Instructions	3
Preparation	5
Procedure	6
Installation of anti-tip bracket	6
Prepare Electrical Connection	6
Install Electrical Connection.....	8
Connect Gas Supply	9
Test the Installation	11
Test for Gas Leaks	11
Test Electric Ignition	11
Test/Adjust Flame High Setting	11
Service	12

Table des matières

Consignes de sécurité importantes	13
Préparation	15
Procédure	16
Installation de l'étrier anti-bascule	16
Préparation du raccordement électrique	16
Installation du raccordement électrique.....	18
Raccordement de l'alimentation en gaz.....	19
Vérification de l'installation	10
Vérifier les fuites de gaz.....	21
Vérifier l'allumage électrique	21
Vérifier/ajuster la flamme : réglage élevé.....	21
Dépannage	22

Índice

Instrucciones de seguridad importantes	23
Preparación	25
Procedimiento	26
Instalación del soporte anticaídas	26
Preparar la conexión eléctrica	27
Instalar la conexión eléctrica.....	29
Conectar la alimentación de gas.....	30
Probar la instalación	32
Realizar una prueba de fugas de gas	32
Probar el encendido eléctrico	32
Probar/ajustar los valores de llama altos.....	33
Servicio técnico	33

Important Safety Instructions

READ AND SAVE THESE INSTRUCTIONS

PLEASE READ ALL INSTRUCTIONS BEFORE USING THIS APPLIANCE.

WARNING

If the information in this manual is not followed exactly, a fire or explosion may result causing property damage, personal injury or death.

Do not store or use combustible materials, gasoline or other flammable vapors and liquids in the vicinity of this or any other appliance.

WARNING

WHAT TO DO IF YOU SMELL GAS:

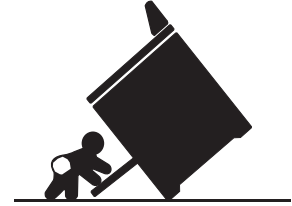
- Do not try to light any appliance.
- Do not touch any electrical switch.
- Do not use any phone in your building.
- Immediately call your gas supplier from a neighbor's phone. Follow the gas supplier's instructions.
- If you cannot reach your gas supplier, call the fire department.

Installation and service must be performed by a qualified installer, authorized service agency or the gas supplier.

WARNING

TIP OVER HAZARD!

A child or adult can tip the range over and be killed. Verify that the anti-tip bracket is securely



installed. Ensure the anti-tip bracket is engaged when the range is moved.

Do not operate the range without the anti-tip bracket in place. Failure to follow the instructions in this manual can result in death or serious burns to children and adults.

Check for proper installation and use of anti-tip bracket

Carefully tip range forward pulling from the back to ensure that the anti-tip bracket engages the range leg and prevents tip-over. Range should not move more than 1" (2.5 cm).

Questions?

1-800-944-2904

www.boschappliances.com

We look forward to hearing from you!





Important Safety Instructions

READ AND SAVE THESE INSTRUCTIONS

Before installing, turn **power OFF** at the service panel. Lock service panel to prevent power from being turned ON accidentally.

Remove all tape and packaging before using the range.

Destroy the carton and plastic bags after unpacking the range. Never allow children to play with packaging material.

Be sure your appliance is properly installed and grounded by a qualified technician in accordance with the National Electrical Code ANSI/NFPA No. 7 latest edition and local electrical code requirements.

Important: Local codes vary. Installation, electrical connections and grounding must comply with all applicable codes.

Install only per installation instructions included in the literature package for this range.

Ask your dealer to recommend a qualified technician and an authorized repair service.

Know how to disconnect the power to the range at the circuit breaker or fuse box and the gas supply at the shutoff in case of an emergency.

Do not repair or replace any part of the appliance unless specifically recommended in the manuals. All other servicing should be done by a qualified technician. This may reduce the risk of personal injury and damage to the range.

When testing the supply piping system at test pressures in excess of ½ psig (3.5 kPa), the appliance and its individual shutoff valve must be disconnected from the gas piping system.

When testing the supply piping system at test pressures equal to or less than ½ psig (3.5 kPa), the appliance must be isolated from the gas supply piping system by closing its individual manual shutoff valve.

Never modify or alter the construction of a range by removing leveling legs, panels, wire covers, anti-tip brackets/screws, or any other part of the product.

Do not lift door by door handle. Remove the door for easier handling and installation. See Section “Removing Oven Door” in Use and Care Manual.

Do not store items of interest to children in the cabinets above the range or on the backguard of a range. Children climbing on the range to reach items could be seriously injured.

CAUTION

Unit is heavy and requires at least two persons or proper equipment to move.

Do not use the oven or warming drawer (if equipped) for storage.

This appliance has been tested in accordance with the following standards:

- ANSI Z21.1 - Household Cooking Gas Appliances
- UL 858 - Household Electric Ranges
- CAN/CSA C22.2 No. 61 - Household Cooking Ranges

In Canada, installation must be in accordance with CAN 1-B149.1 and .2 Installation Codes for Gas Burning Appliances and/or local codes.

For Massachusetts Installations:

1. Installation must be performed by a qualified or licensed contractor, plumber or gas fitter qualified or licensed by the state, province or region where this appliance is being installed.
2. Shutoff valve must be a “T” handle gas cock.
3. Flexible gas connector must not be longer than 36" (91.4 cm).

High Altitude Installation Note:

This range is CSA certified for safe operation up to an altitude of 10,000 ft. without any modifications. Exception: for use with LP, the range must first be converted using the LP conversion instructions included in this literature package.

Preparation

Parts provided:

- Anti-Tip Bracket
- 2 wood screws
- 2 anchorless concrete screws

Tools and parts needed:

- Range Power Supply Cord Kit with strain relief (240V - 30 Amps)*
 - Standard Measuring Tape
 - Phillips Head Screwdriver
 - 1- $\frac{1}{4}$ " Wrench
 - Pencil
 - T-20 Torx Screwdriver
 - $\frac{3}{8}$ " Nut Driver
 - Pipe Wrench (2)
 - Teflon® Tape** or Pipe Joint Compound (Appropriate for use with LP gas and Natural gas)
 - Channel Lock Pliers
 - Gas Leak Test Solution
 - Level
 - Drill and Drill Bit (3/16" masonry bit for concrete screws)
 - Gas Supply Line (Flexible Metal Appliance Connector or Rigid Pipe)
 - Gas Shut Off Valve (If not already present)
 - Gloves and Safety Goggles
- * Not needed for Canadian installations
** Teflon is a registered trademark of DuPont

1. Install Ventilation

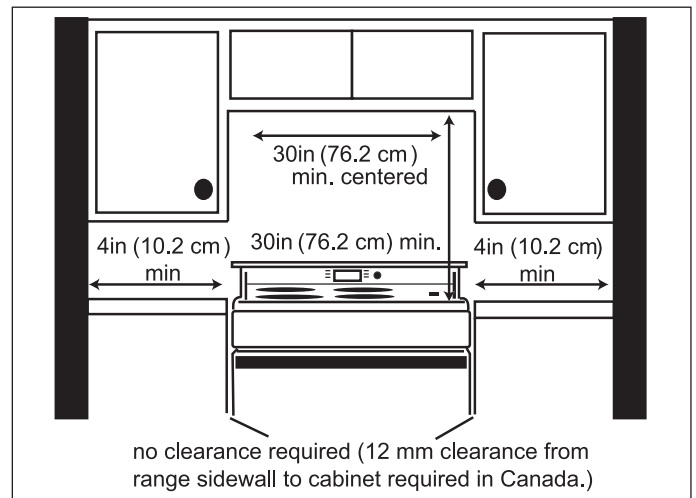
Bosch strongly recommends the installation of a ventilation hood above this range. For most kitchens a certified hood rating of not less than 300 CFM is recommended. The range hood must be installed according to instructions furnished with the hood.

Note: The appliance should not be installed with a ventilation system that blows air downward toward the burners. This type of ventilation system may cause ignition and combustion problems with the gas cooking appliance resulting in personal injury or unintended operation.

2. Prepare Cabinets

This unit is designed for installation near adjacent walls and projected surfaces constructed of combustible materials.

Allow a minimum of 30" (76.2 cm) between cabinets where range is to be installed**.



Required Clearances*

From cooktop to materials above

There must be a minimum clearance of 30" (76.2 cm) between the top of the cooking surface and the bottom of an unprotected wood or metal cabinet.

24" (60.7 cm) is acceptable when the bottom of the wood or metal cabinet is protected by (a) not less than $\frac{1}{4}$ " (6.4 mm) of flame retardant material which must be covered with (b) not less than No. 28 MSG sheet metal, 0.015" (0.4 mm) stainless steel or 0.024" (0.6 mm) aluminum or copper.

From range walls to adjacent materials

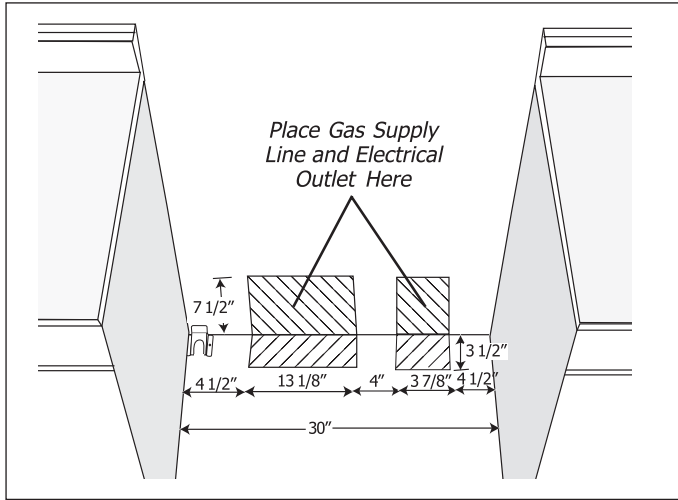
No clearance is required from unit walls to adjacent vertical combustible walls on rear, right or left.

Clearance from range top to adjacent vertical walls must be at least 4" (10.2 cm).

NOTE: Some cabinet finishes cannot survive the temperatures allowed by U.L., particularly self-cleaning ovens; the cabinets may discolor or stain. This is most noticeable with laminated cabinets.

3. Prepare Gas Supply Line and Electrical Outlet

The gas supply line and electrical outlet must be located in the shaded area.



4. Prepare Walls and Floor

Seal any holes in the walls or floor. Remove any obstructions (extra electrical or gas connections, etc.) so that range will rest against wall properly.

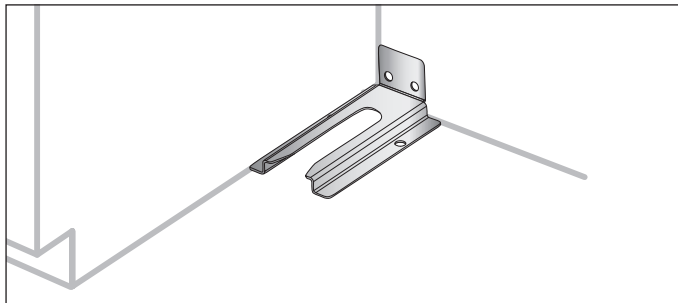
*Instructions were determined using standard American cabinets. Standard base cabinets measure 36" (91.4 cm) high x 24" (61 cm) deep. Cabinets over the cooking surface and cabinets adjacent to those over the cooking surface measure 13" (33 cm) deep from backwall. If nonstandard cabinets are used, care should be taken to alter dimensions accordingly.

** 12 mm clearance from range sidewall to cabinet required in Canada.

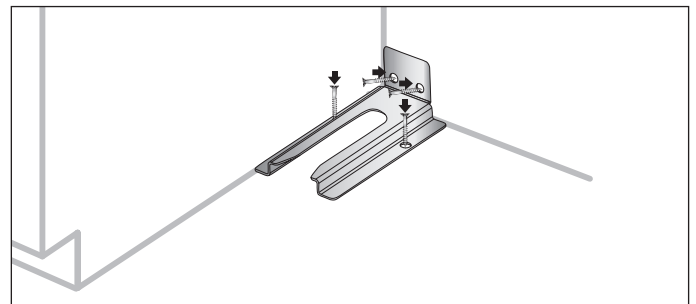
Procedure

Installation of anti-tip bracket

1. Adjust height of range and level by rotating the adjustable leg supports on the bottom of the range, using 1-1/4" (32 mm) wrench.
2. Locate bracket position as shown below.



3. Secure bracket with 2 screws to the floor or to the wall. Depending on floor or wall material use wood or anchorless concrete screws (included). Concrete screws require a 3/16" masonry bit. Screws should provide firm attachment into solid wood or flooring. Do not attempt to anchor into drywall.



Prepare Electrical Connection

General Information

Ranges are dual rated for use on either 120/240 VAC or 120/208 VAC. See chart below for power ratings and circuit breaker sizes based on the supply voltage for each model.

MODEL: HDS

VOLTS A.C.	HZ	RATING KW	CIRCUIT BREAKER
120/240	60	6.5	30 AMPS
120/208	60	4.8	30 AMPS

⚠ CAUTION

Make certain that gas shutoff valve and all burner controls are in the OFF position before beginning.

Verify that wiring to house is adequate. Contact your local utility company to verify that the present electric service to your home is adequate. In some instances, the size of the wiring to the house and service switch must be increased to handle the electrical load demanded by the range.

Verify that wiring inside house is adequate.

Most wiring codes require a separate circuit with separate disconnect switch and fuses either in the main entrance panel or in a separate switch and fuse box.

The range requires a three wire 120/240 or 120/208 volt, 30 AMP, 60 Hz AC circuit.

Most local building regulations and codes require that electrical wiring be done by licensed electricians. Be sure to install your range according to the electric codes in place in your region.

⚠ WARNING

To prevent electrical shock, the grounding prong on the range cord should not be cut or removed under any circumstances. It must be plugged into a matching grounding type receptacle and connected to a correctly polarized 240- Volt circuit. If there is any doubt as to whether the wall receptacle is properly grounded, have it checked by a qualified electrician.

Bosch recommends that the range be installed with a power cord set (not supplied)*. The electrical rating of the power cord set must be 120/240 volt, 30 amperes minimum. The power cord set shall be marked “For Use with Ranges.” Always use a new power cord.

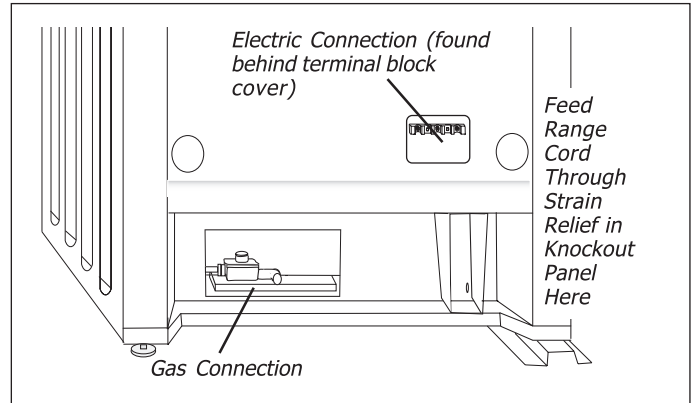
NOTE: In Canada, the range is shipped from the factory with the range cord already installed. Proceed to “Connect Gas Supply”.

For installations other than those in Canada, connect the range cord at the terminal block (See “Install Electrical Connection”). Access the terminal block by removing the cover in the lower right hand corner of the range back panel. Install the strain relief and the proper connector through the knockout(s) provided. The electrical supply, including flexible conduit or power cord, should be restricted to the shaded areas (page 5).

Install Strain Relief

Place strain relief in knockout below terminal block. Feed range cord through hole and strain relief up to terminal block. Allow for slack in the cord be-

tween the strain relief and terminal block. Once cord length/slack has been adjusted, attach strain relief per instructions included with strain relief.



⚠ WARNING

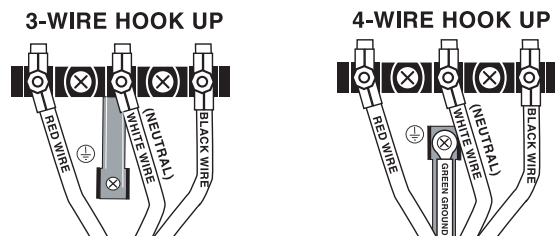
The strain relief provided with your range cord must be properly installed.

Tip:

The knockout panel below the terminal block can be removed from the range to install the strain relief: Remove knockout panel from range, install strain relief in panel and reattach. DO NOT remove entire range back panel.

⚠ WARNING

Risk of Electric Shock or Fire. Frame grounded to neutral through a ground strap. Grounding through the neutral conductor is prohibited for new branch-circuit installations (1996 NEC), mobile homes, and recreational vehicles, or in an area where local codes prohibit grounding through the neutral conductor. For installations where grounding through the neutral conductor is prohibited, (a) disconnect the link from the neutral, (b) use grounding terminal or lead to ground unit, (c) connect neutral terminal to lead branch circuit neutral in usual manner (when the appliance is to be connected by means of a cord kit, use 4-conductor cord for this purpose). Use only cord kits rated 125/250 volts (minimum), 30 amperes and labeled “For Use with Ranges”. Strain relief provided with cord must be installed per instructions included with cord.

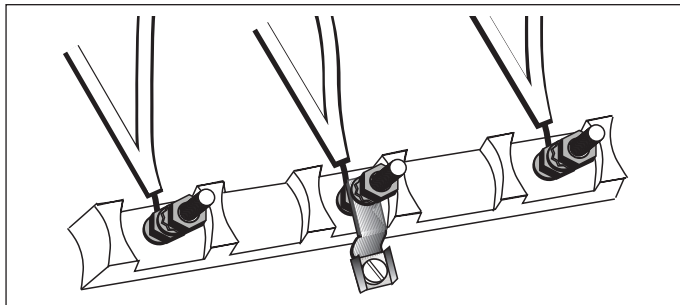


Install Electrical Connection

Three Wire Connection

The **Four Wire Connection is preferred**, but where local codes and ordinances permit grounding through neutral and/or conversion to four wire is impractical, unit may be connected to the power supply via a three wire connection.

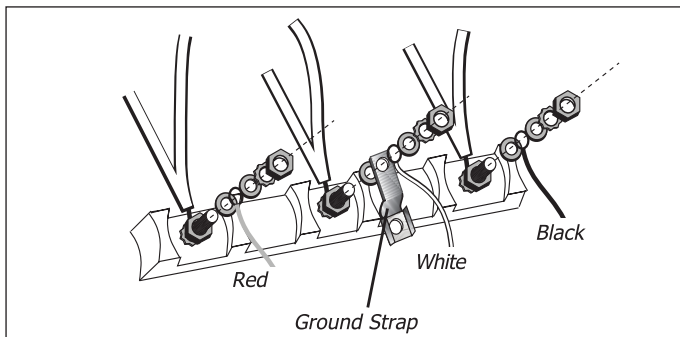
1. Disconnect electrical power at breaker box.
2. Remove the terminal block cover to expose the terminal block.



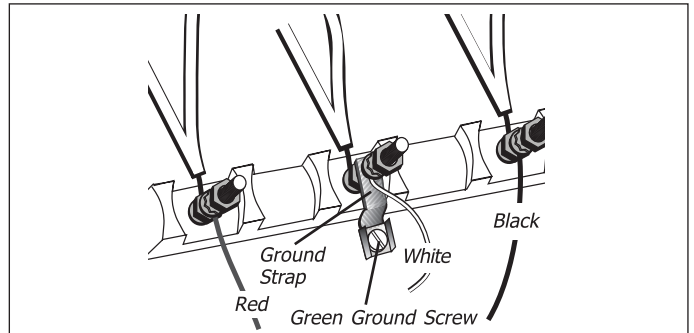
3. Remove top nut, star washer, and round washer from each post.

NOTE: DO NOT remove last round washer, last nut or internal wiring leads.

4. Attach white wire, round washer, star washer and nut **IN THIS ORDER** on top of ground strap on center post.
5. Attach red wire, round washer, star washer and nut **IN THIS ORDER** to left post.
6. Attach black wire, round washer, star washer and nut **IN THIS ORDER** to right post.



7. Tighten all connections securely and replace terminal block cover.



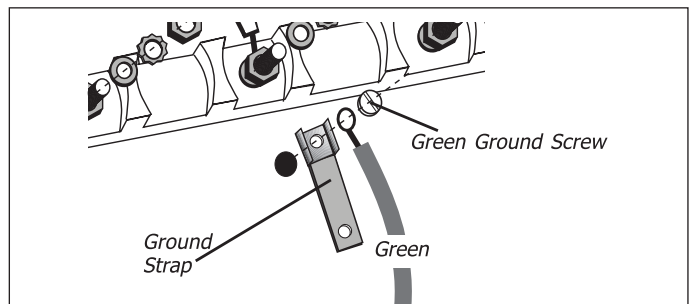
8. Properly secure strain relief (see page 7).

Four Wire Connection (Preferred to three wire connection).

1. Disconnect electrical power at breaker box.
2. Remove the terminal block cover to expose the terminal block.
3. Remove top nut, star washer, and round washer from each post.

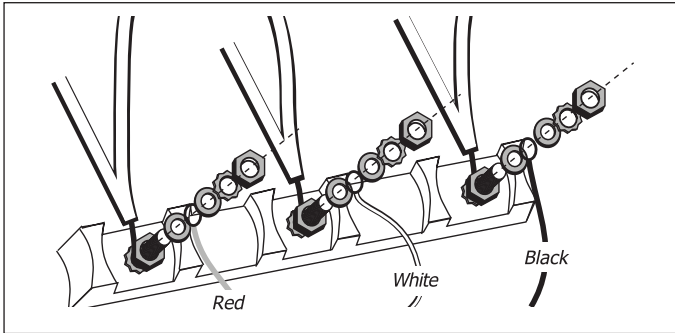
NOTE: DO NOT remove last round washer, last nut or internal wiring leads.

4. Remove screw from bottom end of ground strap.
5. Remove ground strap from center post, rotate so that wide end is at top and attach wide end to range through hole below junction box. Attach green wire on top of ground strap. Tighten Screw.



6. Attach red wire, round washer, star washer and nut **IN THIS ORDER** to left post.
7. Attach white wire, round washer, star washer and nut **IN THIS ORDER** to center post.

8. Attach black wire, round washer, star washer and nut IN THIS ORDER to right post.



9. Tighten all connections securely and replace terminal block cover.

10. Properly secure strain relief (see previous page).

NOTE: DO NOT plug in range at this time. Proceed to “Connect Gas Supply”.

Connect Gas Supply

Important note for LP users: The range is shipped from the factory for use with natural gas. For use with propane (LP) gas, your range must first be converted using the LP conversion kit.

The gas connection is located below the back panel of the range (page 7). It is accessible through the warming drawer access panel or from the back of the range. To reach access panel, remove warming drawer.

Shut off main gas supply valve before disconnecting the old range and leave it off until the new hook-up has been completed. **Don't forget to relight the pilot on other gas appliances when you turn the gas back on.**

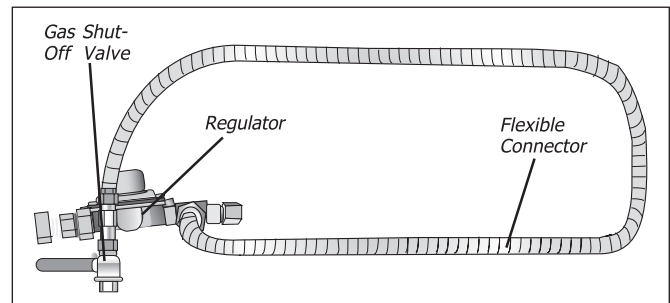
The range can be installed using rigid pipe or a CSA International-certified flexible metal appliance connector. If using a flexible connector, always use a new connector.

Apply pipe joint compound or Teflon** tape appropriate for use with LP gas and Natural gas around all male pipe threads to prevent leaks.

If not already present, install gas shut off valve in an easily accessible location. Make sure all users know where and how to shut off the gas supply to the range.

NOTE: The installer should inform the consumer of the location of the gas shutoff valve.

Flexible Connector Method



1. Install male ½" (12.7 mm) flare adaptor at the ½" (12.7 mm) NPT internal thread of the range inlet. Use a backup wrench on the elbow fitting to avoid damage.
2. Install male ½" (12.7 mm) or ¾" (19 mm) flare union adapter on the NPT internal thread of the manual shutoff valve.
3. Connect flexible metal appliance connector.

⚠ CAUTION

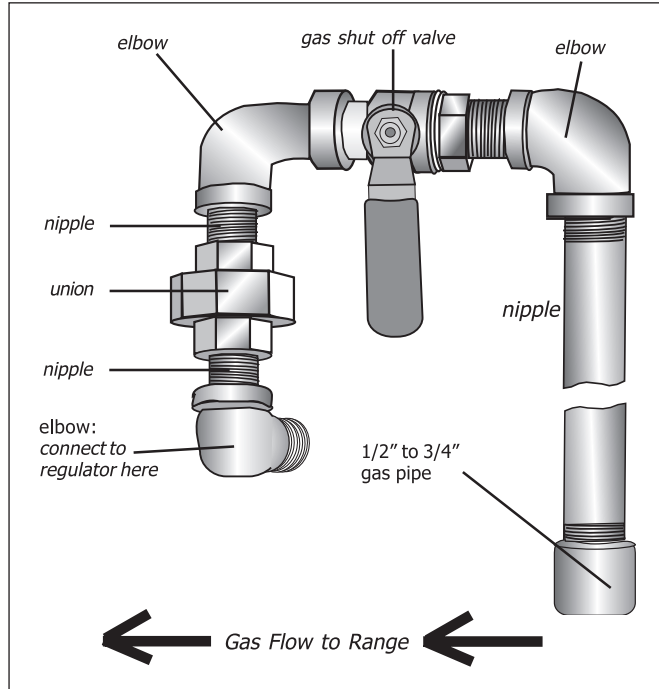
Before you plug in an electrical cord, be sure all controls are in the OFF position.

4. Make sure circuit breaker is off and then plug range cord into electrical outlet.
5. Slide range into position ensuring that the left back leg slides under the anti-tip bracket. Range will sit ¾" (19 mm) away from back wall when properly installed.

NOTE: Be careful not to crimp flexible connector!

- Carefully tip range forward pulling from the back to ensure that the anti-tip bracket engages the range leg and prevents tip-over.

Rigid Pipe Method



The configuration of the rigid pipe connection will vary depending on the location of the gas pipe stub. Refer to figure above for details.

⚠ CAUTION

Before you plug in an electrical cord, be sure all controls are in the OFF position.

- Make sure circuit breaker is off and then plug range cord into electrical outlet.
- Slide range into position ensuring that the left back leg slides under the anti-tip bracket. Range will sit $\frac{3}{4}$ " (19 mm) away from back wall when properly installed.
- Carefully tip range forward pulling from the back to ensure that the anti-tip bracket engages the range leg and prevents tip-over.
- Connect pipe to range at union. Access the connection through the access panel behind the warming drawer.

NOTE: Be careful not to apply pressure to warming drawer element during rigid pipe installation.

** Teflon is a registered trademark of DuPont

Test the Installation

Test for Gas Leaks

Leak testing is to be conducted by the installer according to the instructions given in this section.

Turn on Gas. Apply a non-corrosive leak detection fluid to all joints and fittings in the gas connection between the shutoff valve and the range. Include gas fittings and joints in the range if connections may have been disturbed during installation. **Bubbles appearing around fittings and connections indicate a leak.**

If a leak appears, turn off supply line gas shutoff valve and tighten connections. Retest for leaks by

turning on the supply line gas shutoff valve. When leak check is complete (no bubbles appear), test is complete. Wipe off all detection fluid residue.

⚠ CAUTION

Never check for leaks with a flame. Do not continue to the next step until all leaks are eliminated.

Test Electric Ignition

Turn on power at breaker.

⚠ CAUTION

If the display flashes and beeps, the polarity of the wiring may be reversed. Reversed polarity can damage the range and can result in electrical shock hazard. Immediately switch off power at the breaker and return to “Install Electrical Connection”.

Select a rangetop burner knob. Push down and turn to the flame symbol. If the ignitor/spark module is operating correctly, it will produce a clicking sound. Once the air has been purged from the supply lines, the burner should light within four (4) seconds. After burner lights, turn knob to the OFF position.

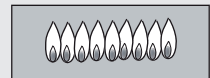
Test each rangetop burner in this fashion.

Call Bosch Service at 800-944-2904 if any of the burners do not light.

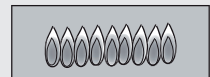
Some yellow streaking is normal during the initial start-up. Allow unit to operate 4-5 minutes and reevaluate before making adjustments.

Checking Flame Characteristics

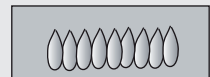
Yellow Flames:
Further adjustment is required.



Yellow Tips on Outer Cones:
Normal for LP Gas.



Soft Blue Flames:
Normal for Natural Gas.



Test/Adjust Flame

High Setting

The combustion quality of the flame for each burner must be visually inspected. For propane, the flame should be blue with yellow tips. For natural gas, it should be soft blue in color. The flame should carry over, or surround, the entire burner and should not lift or blow off the burner.

To inspect, turn the burner on. See figure on this side for appropriate flame characteristics.

If the flame is completely or mostly yellow, verify that the regulator is set for the correct fuel. After adjustment, retest. **If any of the burners continue to burn mostly or completely yellow, call Bosch Service 800-944-2904.**

NOTE: With LP use, some yellow tipping on outer cones is normal.

Low Setting

All burners must also be inspected for carry-over. On low, the flame should completely surround the burner.

If any of the cooktop burners do not carry over on the low setting, call Bosch Service 800-944-2904.

Installation is complete at this time.

When properly adjusted:

There should be a flame at each burner port.

There should be no air gap between the flame and burner.

Replacement Parts: Visit your Bosch dealer for replacement parts. For a dealer near you contact Bosch Service at 800-944-2904.

Service

Before Calling Service

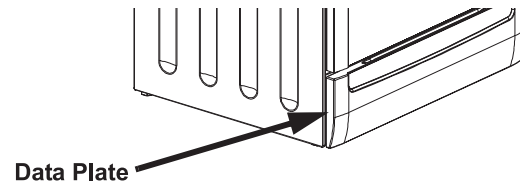
See Use and Care Manual for troubleshooting information. Refer to the Warranty in the Use and Care Manual.

To reach a service representative, see the contact information at the front of the manual. Please be prepared with the information printed on your product data plate when calling.

Product Data Plate

The data plate shows the model and serial number. Refer to the data plate on the appliance when requesting service. It is located on the frame near the drawer.

Open the drawer to view it.



Consignes de sécurité importantes

LIRE ET CONSERVER CES CONSIGNES

VEUILLEZ LIRE TOUTES LES CONSIGNES AVANT D'UTILISER CET APPAREIL.

AVERTISSEMENT

Si les informations de ce manuel ne sont pas suivies à la lettre, un incendie ou une explosion peuvent se produire entraînant des dommages matériels, des lésions corporelles ou la mort.

Ne pas ranger ou utiliser de matériaux combustibles, d'essence ou d'autres liquides et vapeurs inflammables à proximité de cet appareil ou d'aucun autre appareil.

AVERTISSEMENT

QUE FAIRE SI VOUS SENTEZ UNE ODEUR DE GAZ :

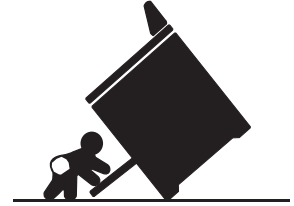
- Ne tentez pas d'allumer un appareil, quel qu'il soit.
- Ne touchez à aucun interrupteur électrique.
- N'utilisez pas les téléphones de votre immeuble.
- Téléphonnez immédiatement à votre fournisseur de gaz de chez un voisin. Suivez les instructions du fournisseur de gaz.
- Si vous ne parvenez pas à joindre votre fournisseur de gaz, appelez le service d'incendie.

L'installation et les réparations doivent être effectuées par un installateur qualifié, un organisme de service autorisé ou le fournisseur de gaz.

AVERTISSEMENT

RISQUE DE BASCULEMENT!

Un enfant ou un adulte peut faire basculer le four et être tué. Vérifiez que l'étrier anti-bas-



cule est bien installé. Assurez-vous que l'étrier anti-basculé est en place lorsque le four est déplacé.

N'utilisez pas le four sans que l'étrier anti-basculé soit en place. Un manquement à suivre les instructions de ce manuel peut causer la mort ou des brûlures graves à des enfants ou des adultes.

Vérifiez que l'étrier anti-basculé est installé et utilisé de façon convenable.

Pour ce faire, faites basculer doucement le four vers l'avant en tirant de l'arrière pour vous assurer que l'étrier anti-basculé est ancré à la patte du four et empêche l'appareil de basculer. Le four ne devrait pas bouger de plus de 2,5 cm (1 pouce).

Questions?

1-800-944-2904

www.boschappliances.com

Il nous fait toujours plaisir de recevoir vos commentaires!



Consignes de sécurité importantes

LIRE ET CONSERVER CES CONSIGNES

Avant l'installation, **coupez le courant** au panneau de service. Verrouillez le panneau de service pour éviter que le courant ne soit accidentellement rétabli.

Retirez les rubans adhésifs et l'emballage avant d'utiliser l'appareil. Débarrassez-vous de la boîte et des sacs de plastique après avoir déballé l'appareil. Ne laissez jamais les enfants jouer avec des matériaux d'emballage.

Assurez-vous que votre appareil est installé convenablement et mis à la terre par un technicien qualifié en respectant les exigences de la plus récente édition du Code national de l'électricité ANSI/NFPA No. 7 et les autres exigences des codes de l'électricité locaux.

Important : Les codes locaux peuvent différer. L'installation, les raccordements électriques et la mise à la terre doivent être conformes à tous les codes applicables.

Procédez à l'installation uniquement en suivant les instructions d'installation comprises dans la documentation fournie avec cet appareil.

Demandez à votre détaillant de vous recommander un technicien qualifié et un service de réparation autorisé.

Apprenez à débrancher l'alimentation électrique de l'appareil par le disjoncteur ou par les fusibles et à fermer le robinet d'arrêt de l'alimentation en gaz en cas d'urgence.

Ne réparez pas ou ne remplacez pas des pièces de l'appareil à moins que cela ne soit expressément recommandé dans les manuels. Tous les travaux d'entretien devraient être confiés à un technicien qualifié. Vous pourrez ainsi réduire les risques de blessures personnelles et de dommages à l'appareil.

L'appareil et son robinet d'arrêt individuel doivent être isolés de la tuyauterie d'alimentation en gaz lorsque vous effectuez des tests de pression à une pression d'épreuve dépassant 3,5 kPa (½ psi).

L'appareil doit être isolé de la tuyauterie d'alimentation en gaz en fermant le robinet d'arrêt manuel individuel lorsque vous effectuez des tests de pression sur la tuyauterie d'alimentation en gaz à une pression d'épreuve égale ou inférieure à 3,5 kPa (1/2 psi).

Ne modifiez pas ou n'altérez pas l'assemblage d'un appareil en enlevant des pattes, des panneaux, des couvercles, des vis ou des étriers anti-bascules ou toute autre partie du produit.

Ne soulevez pas l'appareil par la poignée de la porte. Enlevez la porte pour faciliter la manipulation et l'installation de l'appareil. Voir la section « Retrait de la porte du four » dans le manuel d'utilisation et d'entretien.

Ne placez pas des objets destinés aux enfants dans les armoires situées au-dessus ou sur le dosseret d'un appareil. Des enfants qui grimperaient sur l'appareil pour prendre ces objets pourraient se blesser sérieusement.

ATTENTION

Cet appareil est lourd et il faut au moins deux personnes ou l'équipement approprié pour le déplacer.

N'utilisez pas le four ou le tiroir-réchaud (si compris) pour le rangement.

Cet appareil a été testé conformément aux normes suivantes :

- ANSI Z21.1, norme nationale américaine pour appareils ménagers de cuisson au gaz
- UL 858 - Household Electric Ranges
- CAN/CSA-C 22.2 n° 61-M89, cuisinières ménagères

Au Canada, l'installation doit être conforme aux codes d'installation CAN 1-B149.1 et .2 pour les appareils à gaz et/ou aux codes locaux.

Installations effectuées dans l'état du Massachusetts :

1. L'installation doit être effectuée par un entrepreneur qualifié ou titulaire d'une licence, un plombier ou installateur de gaz qualifié ou titulaire d'une licence octroyée par l'état, la province ou la région où l'appareil est installé.
2. Le robinet d'arrêt doit être pourvu d'une poignée en « T ».
3. Le connecteur à gaz flexible ne doit pas être plus long que 91,4 cm (36 po).

Note concernant l'installation à haute altitude :

Cet appareil est approuvé par le CSA pour un fonctionnement sécuritaire jusqu'à une altitude de 3048 m (10 000 pi) sans modification. Exception : pour l'utilisation avec du gaz LP, l'appareil doit d'abord être converti à l'aide des instructions de conversion pour le gaz LP comprises avec la documentation fournie.

Préparation

Pièces incluses :

- Étrier anti-bascule
- 2 vis à bois
- 2 vis à béton sans ancre

Outils et pièces nécessaires :

- Ensemble de cordon d'alimentation pour four avec serre-câble (240 V - 30 A)*
- Ruban à mesurer standard
- Tournevis à tête Phillips
- Clé de 31,8 mm (1-1/4 po)
- Crayon
- Tournevis Torx T-20
- Tournevis à douille de 10 mm (3/8 po)
- Clés à tuyau (2)
- Ruban Teflon^{MD**} ou pâte isolante à joint (pour le gaz LP ou le gaz naturel)
- Pince multiprise ordinaire
- Solution pour tester les fuites de gaz
- Niveau
- Perceuse et mèche (mèche à maçonnerie de 4,8 mm ou 3/16 po pour les vis à béton)
- Canalisation d'alimentation en gaz (connecteur d'appareil en métal flexible ou tuyau rigide)
- Robinet d'arrêt du gaz (s'il n'est pas déjà présent)
- Gants et lunettes de sécurité

* N'est pas nécessaire pour les installations au Canada

** Teflon est une marque déposée de DuPont

1. Installation de la ventilation

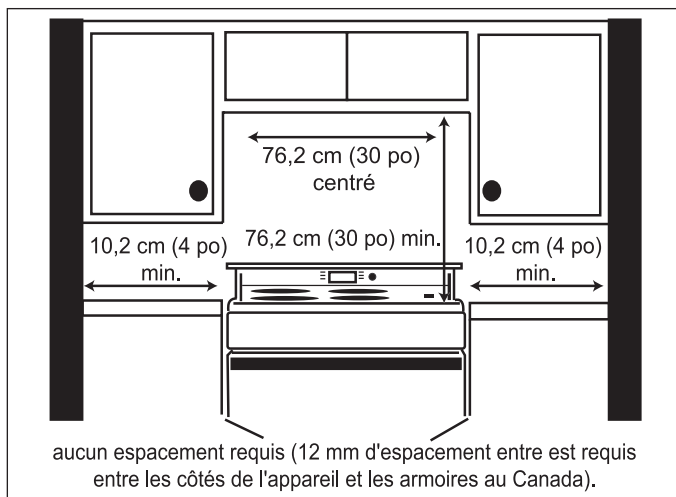
Bosch recommande fortement d'installer une hotte au-dessus de cet appareil. Pour la plupart des cuisines, une hotte certifiée offrant au moins 91 m³/min (300 CFM) est recommandée. La hotte doit être installée conformément aux instructions qui l'accompagnent.

Remarque : L'appareil ne devrait pas être installé avec un système de ventilation qui souffle l'air vers les brûleurs. Ce type de système de ventilation peut causer des problèmes d'allumage et de combustion avec l'appareil de cuisson au gaz et pourrait provoquer des blessures ou nuire au fonctionnement normal.

2. Préparation des armoires

Cet appareil est conçu pour une installation près de murs adjacents et de surfaces de projection fabriqués de matériaux combustibles.

Laissez au moins 76,2 cm (30 po) d'espace entre les armoires à l'endroit où l'appareil sera installé.**



Espacements requis*

De la surface de cuisson jusqu'aux matériaux au-dessus

Il doit y avoir un espacement de 76,2 cm (30 po) entre le haut de la surface de cuisson et le bas d'une armoire en métal ou en bois non protégé.

Un espacement de 60,7 cm (24 po) est acceptable lorsque le bas de l'armoire en métal ou en bois est protégé par (a) au moins 6,4 mm (1/4 po) de matériel ignifuge qui doit être recouvert (b) d'au moins 0,4 mm (0,015 po) de feuille de métal n° 28 MSG, ou de 0,6 mm (0,024 po) d'aluminium ou de cuivre.

Des parois de l'appareil aux matériaux adjacents

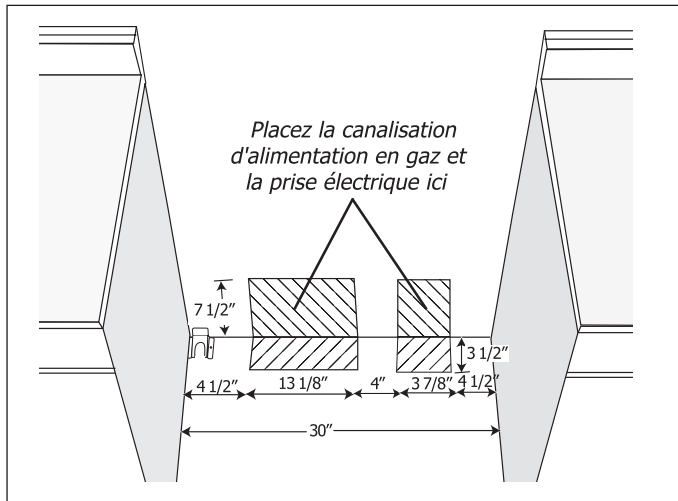
Aucun espacement n'est nécessaire entre les parois de l'appareil et les murs verticaux combustibles à l'arrière, sur la droite et sur la gauche.

L'espacement entre le haut de la cuisinière et les murs verticaux adjacents doit être d'au moins 10,2 cm (4 po).

Remarque : Certains finis d'armoire ne peuvent résister aux températures permises par U.L., particulièrement dans le cas des fours autonettoyants. Les armoires peuvent se décolorer ou se tacher, tout particulièrement dans le cas des armoires laminées.

3. Préparation de la canalisation d'alimentation en gaz et de la prise électrique

La canalisation d'alimentation en gaz et la prise électrique doivent se trouver dans la zone ombragée.



4. Préparation des murs et du plancher

Scellez les trous dans les murs et le plancher. Enlevez tous les obstacles (raccordements électriques ou de gaz en surplus, etc.) afin que l'appareil soit positionné correctement contre le mur.

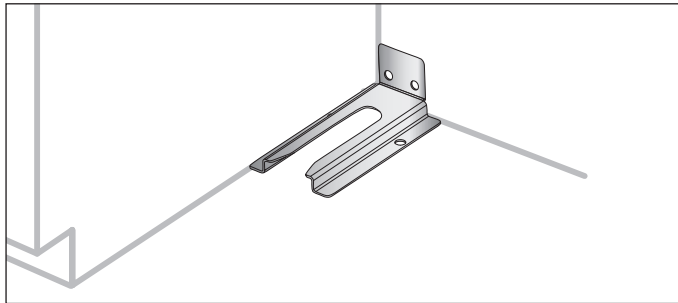
* Les instructions ont été déterminées en utilisant des armoires américaines standard. Les armoires de base standard mesurent 91,4 cm (36 po) de haut par 61 cm (24 po) de profondeur. Les armoires au-dessus de la surface de cuisson et les armoires adjacentes à celles au-dessus de la surface de cuisson mesurent 33 cm (13 po) de profondeur à partir du mur arrière. Si des armoires non standard sont utilisées, assurez-vous de modifier les dimensions de façon appropriée.

** Un espacement de 12 mm est requis entre les côtés de l'appareil et les armoires au Canada.

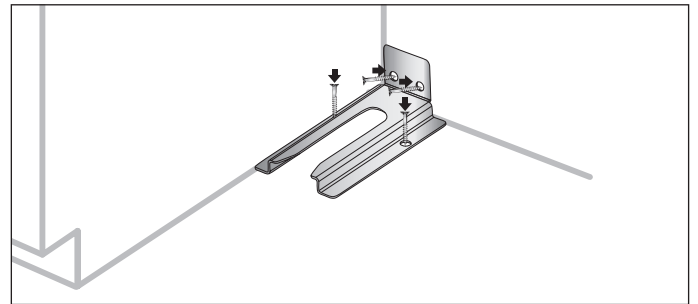
Procédure

Installation de l'étrier anti-bascule

1. Ajustez la hauteur du four et mettez-le à niveau en faisant tourner les supports ajustables des pattes au bas du four à l'aide d'une clé de 32 mm (1-1/4 po).
2. Placez l'étrier tel qu'illustré ci-dessous.



3. Fixez l'étrier au plancher ou au mur à l'aide de 2 vis. En fonction des matériaux du plancher ou du mur, utilisez des vis en bois ou des vis à béton sans ancre (comprises). Les vis à béton nécessitent une mèche à maçonnerie de 4,8 mm (3/16 po). Les vis devraient offrir une fixation solide dans le bois ou un plancher ferme. Ne tentez pas de fixer l'étrier dans une cloison sèche.



Préparation du raccordement électrique

Informations générales

Les appareils ont une cote jumelée pour une utilisation avec le 120/240 VAC ou le 120/208 VAC. Consultez le tableau ci-dessous pour la puissance nominale et la taille des disjoncteurs en fonction de la tension d'alimentation de chaque modèle.

MODÈLE : HDS

VOLTS C.A	HZ	PUISSANCE KW	DISJONCTEUR
120/240	60	6,5	30 A
120/208	60	4,8	30 A

⚠ ATTENTION

Assurez-vous que le robinet d'alimentation en gaz et les commandes des brûleurs sont à la position DÉ-SACTIVER avant de commencer.

Vérifiez que le câblage desservant la résidence est adéquat. Contractez votre distributeur d'électricité local pour vous assurer que le service électrique actuel de votre maison est adéquat. Dans certains cas, la dimension du câblage et l'interrupteur de service doivent être augmentés pour répondre à la charge électrique requise par l'appareil.

Vérifiez que le câblage intérieur est adéquat.

La plupart des codes de câblage exigent un circuit seul et un interrupteur général et des fusibles séparés dans le panneau principal ou dans un boîtier de fusibles avec interrupteur distinct.

L'appareil nécessite un circuit 120/240 ou 120/208 V, 30 A, 60 Hz de trois fils.

La plupart des règlements de construction et des codes locaux requièrent que le câblage électrique soit installé par un électricien qualifié. Assurez-vous d'installer l'appareil conformément aux codes électriques applicables dans votre région.

⚠ AVERTISSEMENT

Pour éviter les chocs électriques, la broche de mise à la terre du cordon ne doit en aucun cas être coupée ou enlevée. Elle doit être branchée sur une prise avec mise à la terre correspondante et reliée à un circuit 240 volts adéquatement polarisé. En cas de doute concernant la mise à la terre appropriée de la prise murale, faites vérifier la prise par un électricien qualifié.

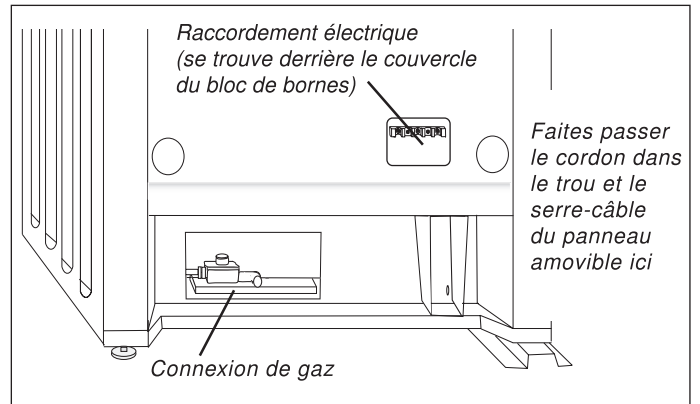
Bosch recommande que l'appareil soit installé avec un ensemble de cordon d'alimentation (non compris)*. Les caractéristiques électriques de l'ensemble de cordon d'alimentation devraient être au moins 120/240 volt, 30 ampères. L'ensemble de cordon d'alimentation doit porter la mention « À utiliser avec les fours ». Utilisez toujours un cordon d'alimentation neuf.

NOTE : Au Canada, la cuisinière est expédiée de l'usine avec un cordon d'alimentation déjà installé. Passez à la section « Raccordement de l'alimentation en gaz ».

Pour les installations à l'extérieur du Canada, branchez le cordon de l'appareil au bloc de bornes (voir la section « Installation du raccordement électrique »). Accédez au bloc de bornes en enlevant le couvercle dans le coin inférieur droit du panneau arrière de l'appareil. Installez le serre-câble et le connecteur approprié à travers le ou les panneau(x) amovible(s) fourni(s). Les éléments de l'alimentation électrique, y compris le câble flexible ou le cordon d'alimentation, devraient être confinés à la section ombragée (page 15).

Installation du serre-câble

Placez le serre-câble dans le panneau amovible sous le bloc de bornes. Faites passer le cordon dans le trou et le serre-câble jusqu'au bloc de bornes. Laissez un peu de jeu au cordon entre le serre-câble et le bloc de bornes. Une fois que la longueur et le jeu du cordon ont été ajustés, fixez le serre-câble conformément aux instructions concernant son installation.



⚠ AVERTISSEMENT

Le serre-câble inclus avec votre appareil doit être installé convenablement.

Conseil :

Le panneau amovible sous le bloc de bornes peut être retiré de l'appareil au cours de l'installation du serre-câble : Retirez le panneau amovible de l'appareil, installez le serre-câble et remplacez ensuite le panneau. **NE RETIREZ PAS** tout le panneau arrière de l'appareil.

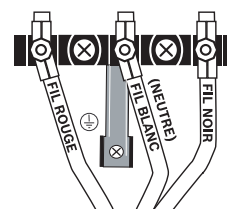
⚠ AVERTISSEMENT

Risque de chocs électriques ou d'incendie. Le cadre est mis à la terre au neutre par une bande de mise à la terre. La mise à la terre par le conducteur neutre est interdite dans les installations comprenant de nouveaux circuits de dérivation (CNÉ 1996), les maisons mobiles et les véhicules récréatifs, ou dans les endroits où les codes locaux interdisent la mise à la terre par le conducteur neutre. Pour les installations où la mise à la terre par le conducteur neutre sont interdites, (a) débranchez le lien du conducteur neutre, (b) utilisez le terminal de mise à la terre ou la borne de l'unité de mise à la terre, (c) raccordez le terminal neutre à la borne du circuit de dérivation de la façon habituelle (lorsque l'appareil est raccordé à l'aide d'un ensemble de cordon d'alimentation, utilisez le cordon à 4 conducteurs à cette fin).

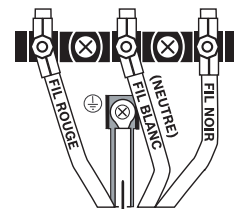
Utilisez seulement les ensembles de cordon d'alimentation de 135/250 volts (au minimum), 30 ampères et portant la mention « À utiliser avec les fours ».

Le serre-câble fourni avec le cordon d'alimentation doit être installé conformément aux instructions qui l'accompagnent.

RACCORDEMENT À 3 FILS



RACCORDEMENT À 4 FILS



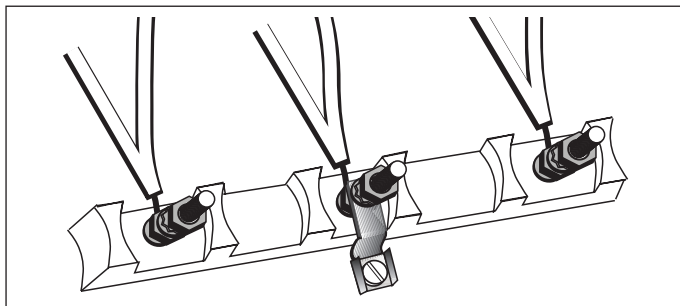
MISE À LA TERRE VERTE

Installation du raccordement électrique

Raccordement à trois fils

Un raccordement à quatre fils est préférable, mais aux endroits où les codes et les règlements locaux permettent la mise à la terre par le conducteur neutre et/ou la conversion à quatre fils ne peut être considérée, l'appareil peut être branché à l'alimentation électrique par un raccordement à trois fils.

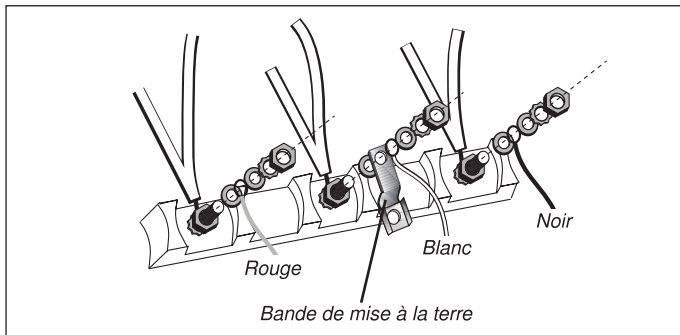
1. Débranchez l'alimentation électrique au niveau des disjoncteurs.
2. Retirez le couvercle du bloc de bornes pour exposer le bloc.



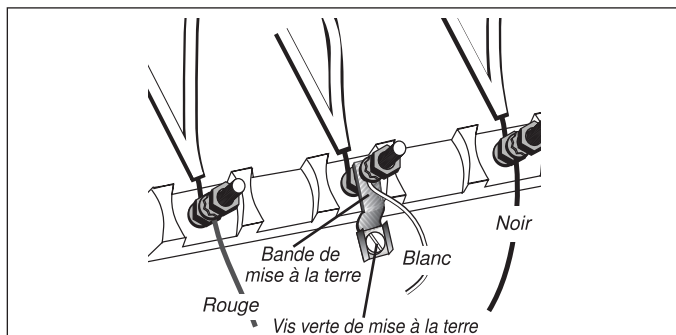
3. Enlevez l'écrou supérieur, la rondelle en étoile et la rondelle ronde de chaque tige.

NOTE : NE PAS ENLEVER la dernière rondelle ronde, le dernier écrou ou les éléments du câblage interne.

4. Fixez le fil blanc, la rondelle ronde, la rondelle en étoile et l'écrou DANS CET ORDRE sur la bande de mise à la terre de la tige centrale.
5. Fixez le fil rouge, la rondelle ronde, la rondelle en étoile et l'écrou DANS CET ORDRE sur la tige gauche.
6. Fixez le fil noir, la rondelle ronde, la rondelle en étoile et l'écrou DANS CET ORDRE sur la tige droite.



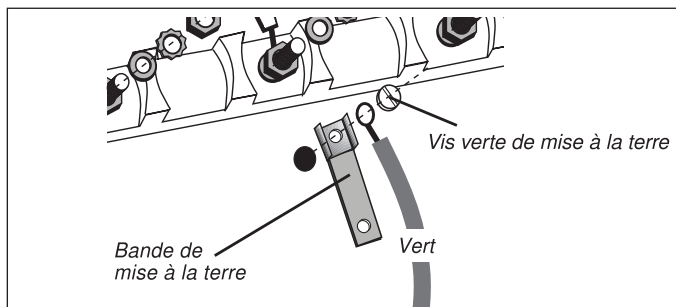
7. Serrez tous les raccordements adéquatement et remplacez le couvercle du bloc de bornes.



8. Fixez solidement le serre-câble (voir la page 17).

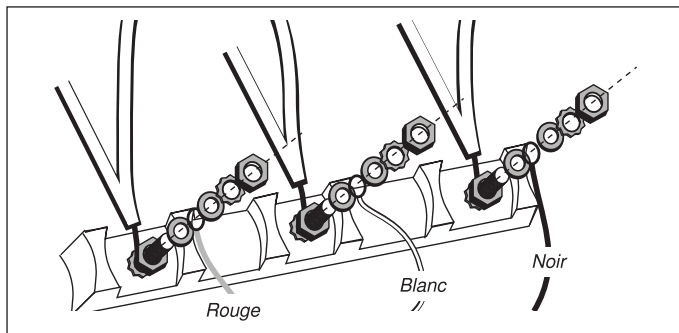
Raccordement à quatre fils (préférable au raccordement à trois fils)

1. Débranchez l'alimentation électrique au niveau des disjoncteurs.
 2. Retirez le couvercle du bloc de bornes pour exposer le bloc.
 3. Enlevez l'écrou supérieur, la rondelle en étoile et la rondelle ronde de chaque tige.
- NOTE :** NE PAS ENLEVER la dernière rondelle ronde, le dernier écrou ou les éléments du câblage interne.
4. Retirez la vis au bas de la bande de mise à la terre.
 5. Enlevez la bande de mise à la terre de la tige centrale et faites-la pivoter pour que l'extrémité la plus large soit sur le dessus et fixez ensuite cette extrémité à l'appareil par le trou sous la boîte de connexion. Fixez le fil vert sur la bande de mise à la terre. Serrez ensuite l'écrou.



6. Fixez le fil rouge, la rondelle ronde, la rondelle en étoile et l'écrou DANS CET ORDRE sur la tige gauche.
7. Fixez le fil blanc, la rondelle ronde, la rondelle en étoile et l'écrou DANS CET ORDRE sur la tige centrale.

8. Fixez le fil noir, la rondelle ronde, la rondelle en étoile et l'écrou DANS CET ORDRE sur la tige droite.



9. Serrez tous les raccords adéquatement et remplacez le couvercle du bloc de bornes.

10. Fixez solidement le serre-câble (voir la page précédente).

NOTE : NE BRANCHEZ PAS l'appareil à cette étape. Passez à la section « Raccordement de l'alimentation en gaz ».

Raccordement de l'alimentation de gaz

Note importante pour les utilisateurs de gaz LP :

Cet appareil est conçu à sa sortie de l'usine pour fonctionner au gaz naturel. Pour être utilisé avec du gaz LP (propane), votre appareil doit d'abord être converti à l'aide d'un ensemble de conversion LP.

Le raccord de gaz se trouve sous le panneau arrière de l'appareil (page 17). Il est accessible à partir du panneau d'accès du tiroir-réchaud ou de l'arrière de l'appareil. Pour accéder au panneau d'accès, enlevez le tiroir-réchaud.

Fermez le robinet d'alimentation en gaz principal avant de débrancher votre vieil appareil et assurez-vous qu'il demeure fermé jusqu'à ce que l'installation soit terminée. **N'oubliez pas de rallumer la flamme de veilleuse des autres appareils au gaz en rétablissant l'alimentation en gaz.**

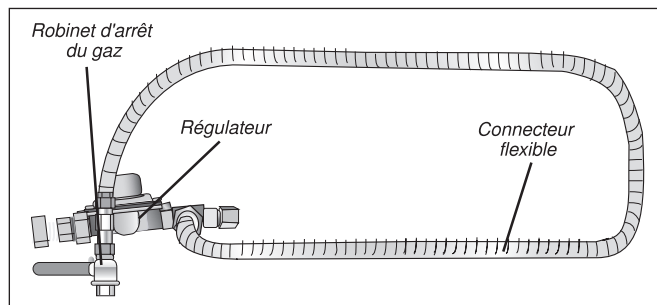
L'appareil peut être installé en employant un tuyau rigide ou un connecteur d'appareil en métal flexible certifié CSA International. Si vous utilisez un connecteur flexible, assurez-vous qu'il soit neuf.

Appliquez de la pâte isolante à joint ou du ruban Teflon** conçu pour le gaz naturel ou le gaz LP autour de tous les filets des tuyaux mâles afin d'éviter les fuites.

S'il n'est pas déjà présent, installez le robinet d'arrêt du gaz à un endroit facile d'accès. Assurez-vous que tous les usagers de l'appareil connaissent la façon et l'endroit permettant d'arrêter l'alimentation en gaz du four.

NOTE : L'installateur devrait informer le client de l'endroit où se trouve le robinet d'arrêt du gaz.

Méthode avec connecteur flexible



1. Installez un adaptateur mâle évasé de 12,7 mm ($\frac{1}{2}$ po) au point 12,7 mm ($\frac{1}{2}$ po) du filetage interne NPT de l'entrée de l'appareil. Utilisez une clé sur le raccord en coude pour éviter tout dommage.
2. Installez un adaptateur mâle évasé de 12,7 mm ($\frac{1}{2}$ po) ou 19 mm ($\frac{3}{4}$ po) sur le filetage interne NPT du robinet d'arrêt manuel.
3. Raccordez le connecteur d'appareil en métal flexible.

⚠ ATTENTION

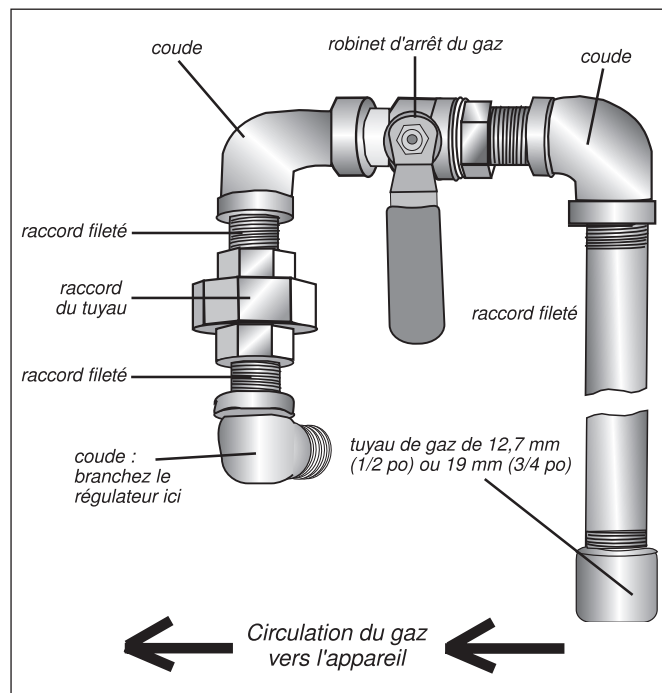
Avant de brancher le cordon électrique, vérifiez que toutes les commandes sont dans la position "OFF" (Arrêt).

4. Assurez-vous que le disjoncteur est désactivé avant de brancher le cordon d'alimentation de l'appareil dans la prise électrique.
5. Faites glisser l'appareil en position en vous assurant que la patte arrière gauche glisse sous l'étrier anti-bascule. L'appareil devrait normalement se trouver à 19 mm (3/4 po) du mur arrière dans une installation appropriée.

NOTE : Assurez-vous de ne pas écraser le connecteur flexible!

6. Faites basculer doucement le four vers l'avant en tirant de l'arrière pour vous assurer que l'étrier anti-bascule est ancré à la patte du four et empêche l'appareil de basculer.

Méthode avec tuyau rigide



La configuration de raccordement avec tuyau rigide variera en fonction de l'endroit où se situe l'entrée du tuyau de gaz. Consultez l'image ci-dessus pour de plus amples renseignements.

⚠ ATTENTION

Avant de brancher le cordon électrique, vérifiez que toutes les commandes sont dans la position "OFF" (Arrêt).

1. Assurez-vous que le disjoncteur est désactivé avant de brancher le cordon d'alimentation de l'appareil dans la prise électrique.
2. Faites glisser l'appareil en position en vous assurant que la patte arrière gauche glisse sous l'étrier anti-bascule. L'appareil devrait normalement se trouver à 19 mm (3/4 po) du mur arrière dans une installation appropriée.
3. Pour ce faire, faites basculer doucement le four vers l'avant en tirant de l'arrière pour vous assurer que l'étrier anti-bascule est ancré à la patte du four et empêche l'appareil de basculer.
4. Raccordez le tuyau à l'appareil au raccord-union. Accédez au raccord par le panneau d'accès à l'arrière du tiroir-réchaud.

NOTE : Faites attention de ne pas appliquer de pression sur l'élément de cuisson du tiroir-réchaud au cours de l'installation du tuyau rigide.

** Teflon est une marque déposée de DuPont

Vérification de l'installation

Vérifier les fuites de gaz

Un test pour vérifier les fuites de gaz doit être effectué par l'installateur conformément aux instructions du présent manuel.

Ouvrez le gaz. Appliquez un liquide de détection des fuites non corrosif sur tous les joints et raccords de la connexion de gaz entre le robinet d'arrêt et l'appareil. Ajoutez les joints et raccords de gaz de l'appareil si les raccordements ont été modifiés pendant l'installation. **Des bulles autour des raccords et branchements indiquent la présence d'une fuite.**

Si'il y a une fuite, fermez le robinet d'arrêt de

l'alimentation en gaz et resserrez les raccords. Vérifiez de nouveau les fuites en ouvrant le robinet d'arrêt de l'alimentation en gaz. Une fois la vérification terminée (il n'y a plus de bulles), le test est terminé. Essayez tout résidu provenant du liquide de détection.

⚠ ATTENTION

Ne vérifiez jamais les fuites avec une flamme. Ne passez pas à la prochaine étape avant que toutes les fuites ne soient éliminées.

Vérifier l'allumage électrique

Activez l'alimentation électrique au disjoncteur.

⚠ ATTENTION

Si l'écran clignote et émet des sons, cela signifie que la polarité du filage est probablement inversée. La polarité inversée peut endommager l'appareil et augmenter le risque de chocs électriques. Désactivez immédiatement l'alimentation électrique au disjoncteur et revenez à l'étape « Installation du raccordement électrique ».

Choisissez un bouton de brûleur de la surface de cuisson. Appuyez sur le bouton et tournez-le vers le symbole de la flamme. Si le module d'allumage/d'étincelle fonctionne correctement, vous entendrez un déclic.

Une fois que l'air aura été éliminé des conduites d'alimentation, le brûleur devrait s'allumer dans les quatre (4) secondes. Après avoir confirmé que le brûleur fonctionne, remplacez le bouton à la position D'ARRÊT.

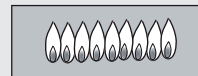
Répétez ce test pour chaque brûleur de l'appareil.

Contactez le Service Bosch au 800-944-2904 si l'un des brûleurs ne s'allume pas.

Il est normal que la flamme présente des raies jaunes pendant la mise en marche initiale. Laissez l'appareil fonctionner pendant 4 à 5 minutes et vérifiez de nouveau avant d'effectuer d'autres réglages.

Vérification des caractéristiques de la flamme

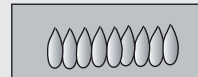
Flammes jaunes :
Réglage supplémentaire requis.



Pointes jaunes au niveau des cônes extérieurs :
Normal pour du gaz LP.



Douces flammes bleues :
Normal pour du gaz naturel.



Vérifier/ajuster la flamme

Réglage élevé

La qualité de combustion de la flamme de chaque brûleur doit être inspectée visuellement. Pour le propane, la flamme devrait être bleue avec des pointes jaunes. Pour le gaz naturel, la flamme devrait être d'une couleur bleue douce. La flamme devrait se propager, ou entourer, tout le brûleur et ne devrait pas se soulever ou souffler du brûleur.

Pour procéder à l'inspection, allumez le brûleur. Consultez l'image de cette page pour découvrir les caractéristiques appropriées des flammes.

Si la flamme est presque ou entièrement jaune, vérifiez que le régulateur est réglé pour le combustible approprié. Après le réglage, refaites le test. **Si l'une des flammes continue d'être presque ou entièrement jaune, contactez le Service Bosch au 800-944-2904.**

NOTE : Avec le gaz LP, des pointes jaunes sur les cônes extérieurs sont normales.

Réglage faible

Tous les brûleurs doivent également être inspectés pour la propagation. Au réglage faible, la flamme doit entourer complètement le brûleur.

Si la flamme de l'un des brûleurs de la surface de cuisson ne se propage pas adéquatement au réglage faible, contactez le Service Bosch au 800-944-2904.

L'installation est maintenant terminée.

Lorsque l'ajustement est approprié :

Il devrait y avoir une flamme à chaque orifice du brûleur.

Il ne devrait pas y avoir de trou d'air entre la flamme et le brûleur.

Pièces de remplacement : Visitez votre détaillant Bosch pour des pièces de remplacement. Pour découvrir les détaillants près de chez vous, contactez le Service Bosch au 800-944-2904.

Dépannage

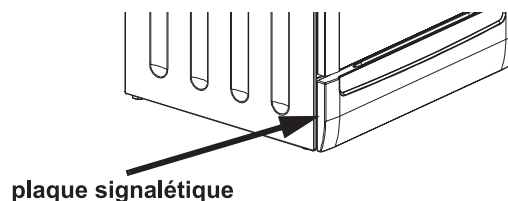
Avant d'appeler le service de dépannage

Pour des informations sur le dépannage, rapportez-vous au Manuel d'utilisation et d'entretien. Consultez la garantie dans le Manuel d'utilisation et d'entretien.

Pour contacter un technicien de dépannage, consultez les coordonnées sur la couverture avant du manuel. Lorsque vous téléphonez, soyez prêt à fournir les informations imprimées sur la plaque signalétique de votre produit.

Plaque signalétique du produit

La plaque signalétique comporte le numéro de modèle et le numéro de série. Consultez la plaque signalétique de l'appareil électroménager pour faire une demande de dépannage. Elle est située sur le cadre de l'appareil près du tiroir. Ouvrez le tiroir pour la voir.



⚠ Instrucciones de seguridad importantes

LEA Y CONSERVE ESTAS INSTRUCCIONES

LEA TODAS LAS INSTRUCCIONES ANTES DE UTILIZAR ESTE ELECTRODOMÉSTICO.

⚠ ADVERTENCIA

Si no sigue la información de este manual exactamente, se puede ocasionar un incendio o una explosión que puede causar daños materiales, lesiones personales o la muerte.

No almacene ni utilice materiales combustibles, gasolina ni otros vapores y líquidos inflamables cerca de este electrodoméstico ni de ningún otro.

⚠ ADVERTENCIA

QUÉ HACER SI SIENTE OLOR A GAS:

- No intente encender ningún electrodoméstico.
- No toque ningún interruptor eléctrico.
- No utilice ningún teléfono en su edificio.
- Llame inmediatamente a su proveedor de gas desde el teléfono de un vecino. Siga las instrucciones del proveedor de gas.
- Si no puede comunicarse con su proveedor de gas, llame al departamento de bomberos.

La instalación y el servicio técnico deben ser realizados por un instalador calificado, una agencia de servicio técnico autorizada o el proveedor de gas.

⚠ ADVERTENCIA

¡PELIGRO DE CAÍDA!

Un niño o un adulto pueden volcar la estufa y morir. Verifique que el soporte anticaídas esté instalado



firmemente. Asegúrese de que el soporte anticaídas esté enganchado cuando se mueva la estufa.

No utilice la estufa si el soporte anticaídas no está en su lugar. Si no se siguen las instrucciones incluidas en este manual, podrían producirse quemaduras graves o la muerte en niños y adultos.

Verifique la instalación y el uso adecuados del soporte anticaídas

Con cuidado, incline la estufa hacia adelante jalando desde la parte trasera, a fin de asegurarse de que el soporte anticaídas esté enganchado en la pata de la estufa y evite las caídas. La estufa no debe moverse más de 1 pulg. (2.5 cm).

¿Tiene preguntas?

1-800-944-2904

www.boschappliances.com

¡Esperamos recibir sus comentarios!



Instrucciones de seguridad importantes

LEA Y CONSERVE ESTAS INSTRUCCIONES

Antes de la instalación, **apague** la alimentación eléctrica en el panel de servicio. Trabe el panel de servicio para impedir que la alimentación eléctrica se encienda accidentalmente.

Retire toda la cinta y el embalaje antes de utilizar la estufa. Destruya la caja y las bolsas de plástico después de desembalar la estufa. Nunca deje que los niños jueguen con el material de embalaje.

Asegúrese de que su electrodoméstico sea instalado y conectado a tierra de manera adecuada por un técnico calificado, de conformidad con el Código Nacional Eléctrico establecido por la Asociación Nacional de Protección contra Incendios y aprobado por el Instituto Nacional de Normalización Estadounidense (ANSI/NFPA 70) última edición, y con los requisitos de los códigos eléctricos locales. **Importante:** los códigos locales varían. La instalación, las conexiones eléctricas y la conexión a tierra deben cumplir con todos los códigos correspondientes.

Instale el electrodoméstico únicamente de acuerdo con las instrucciones de instalación que se incluyen en el paquete de información para esta estufa.

Pida a su distribuidor que le recomiende un técnico calificado y un servicio de reparación autorizado.

Sepa cómo desconectar la alimentación eléctrica de la estufa en el disyuntor o en la entrada de la caja de fusibles y la alimentación de gas en la válvula de paso, en caso de emergencia.

No repare ni reemplace ninguna pieza del electrodoméstico, a menos que se recomiende específicamente en los manuales. Cualquier otro tipo de reparación debe ser realizada por un técnico calificado. Esto puede reducir el riesgo de lesiones personales y de daños a la estufa.

El electrodoméstico y su válvula de paso individual deben estar desconectados del sistema de tuberías de gas durante una prueba del sistema de tuberías de alimentación a presiones de prueba superiores a 1/2 psig (3.5 kPa).

Al probar el sistema de tuberías de alimentación a presiones de prueba iguales o inferiores a 1/2 psig (3.5 kPa), se debe aislar el electrodoméstico del sistema de tuberías de alimentación de gas cerrando la válvula de paso manual individual.

Nunca modifique ni altere la estructura de la estufa retirando las patas niveladoras, los paneles, las cubiertas para alambres, los soportes anticaídas/los tornillos o cualquier otra pieza del producto.

No levante la puerta tomándola de la manija. Retire la puerta para facilitar la manipulación y la instalación. Consulte la sección “Cómo retirar la puerta del horno”, que se encuentra en el Manual de uso y cuidado.

No almacene objetos de interés para niños en los gabinetes que se encuentran sobre la estufa ni en la placa posterior de una estufa. Si los niños suben a la estufa para alcanzar objetos, podrían sufrir lesiones graves.

PRECAUCIÓN

La unidad es pesada y se requieren, al menos, dos personas o un equipo adecuado para trasladarla.

No utilice el horno ni el cajón calentador (si vienen incorporados) para almacenamiento.

Se ha realizado una prueba de este electrodoméstico de conformidad con las siguientes normas:

- ANSI Z21.1, Norma para electrodomésticos para cocinar de uso doméstico (Standard for Household Cooking Appliances) (EUA)
- UL 858 - Household Electric Ranges
- CAN/CSA-C 22.2 n.º 61-M89 para estufas de uso doméstico

En Canadá, la instalación debe realizarse de conformidad con la norma CAN 1-B149.1 y .2 y los Códigos de Instalación para Electrodomésticos de Combustión a Gas y/o los códigos locales.

Para instalaciones en Massachusetts:

1. La instalación debe ser realizada por un contratista calificado o con licencia, un plomero o gasista calificado o con licencia otorgada por el estado, la provincia o la región donde se instale este electrodoméstico.
2. La válvula de paso debe tener una llave de gas con mango en “T”.
3. El conector de gas flexible no debe tener una longitud superior a 36 pulg. (91.4 cm).

Nota de instalación a altas altitudes:

Esta estufa ha sido certificada por la Asociación Canadiense de Normas (Canadian Standards Association, CSA) para un funcionamiento seguro hasta una altitud de 10,000 pies sin modificaciones. Excepción: para uso con propano líquido (Liquid Propane, LP), la estufa debe convertirse primero utilizando las instrucciones de conversión de propano líquido que se incluyen en este paquete de información.

Preparación

Piezas suministradas:

- Soporte anticaídas.
- 2 tornillos para madera.
- 2 tornillos para hormigón sin ancla.

Herramientas y piezas necesarias:

- Un conjunto de cables de alimentación eléctrica para la estufa con aliviador de tensiones (240 V, 30 A)*.
- Cinta métrica estándar.
- Destornillador con cabeza Phillips.
- Llave de 1 1/4 pulg.
- Lápiz.
- Destornillador de cabeza Torx T-20.
- Destornillador para tuercas de 3/8 pulg.
- Llave de cadena (2).
- Cinta de Teflon® ** o compuesto de unión de tuberías (adecuados para uso con gas LP y gas natural).
- Pinzas de bloqueo de canales.
- Solución de prueba de fuga de gases.
- Nivel.
- Taladro y broca de taladro (Broca para albañilería de 3/16 pulg. para tornillos de hormigón).
- Línea de alimentación de gas (conector de metal flexible del electrodoméstico o tubería rígida).
- Válvula de paso de gas (si no hay).
- Guantes y gafas de seguridad.

* No se necesita para las instalaciones en Canadá.

** Teflon es una marca comercial registrada de DuPont.

1. Instalar la ventilación

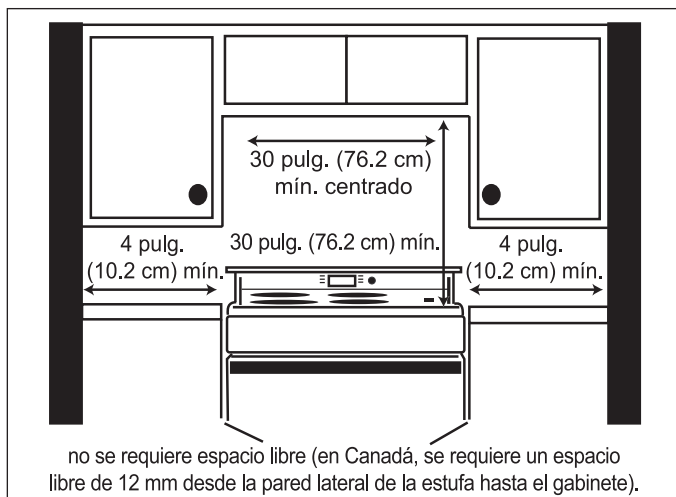
Bosch recomienda enfáticamente la instalación de una campana de ventilación sobre esta estufa. Para la mayoría de las cocinas, se recomienda una campana certificada con una capacidad nominal de no menos de 300 CFM. La campana de la estufa debe instalarse según las instrucciones que se proporcionan con la campana.

NOTA: El electrodoméstico no debe instalarse con un sistema de ventilación que disperse aire hacia abajo, en dirección a las hornillas. Este tipo de sistema de ventilación puede causar problemas de encendido y de combustión con el electrodoméstico para cocinar a gas, que pueden tener como consecuencia lesiones personales o una operación no intencional.

2. Preparar los gabinetes

Esta unidad está diseñada para instalación cerca de las paredes adyacentes y las superficies que sobresalgan, hechas de materiales combustibles.

Deje un espacio mínimo de 30 pulg. (76.2 cm) entre los gabinetes en el lugar donde se instalará la estufa**.



Espacios libres requeridos*

Desde la placa hasta los materiales que se encuentran sobre la estufa

Debe haber un espacio libre de 30 pulg. (76.2 cm) como mínimo entre la parte superior de la superficie de cocción y la parte inferior del gabinete de madera o de metal que no está protegida.

Se acepta un espacio de 24 pulg. (60.7 cm) si la parte inferior del gabinete de madera o de metal está protegida por (a) material ignífugo de no menos de 1/4 pulg. (6.4 mm), que debe estar cubierto con (b) una plancha metálica, al menos, n.º 28 MSG, de acero inoxidable de 0.015 pulg. (0.4 mm) o de aluminio o de cobre de 0.024 pulg. (0.6 mm).

Desde las paredes de la estufa hasta los materiales adyacentes

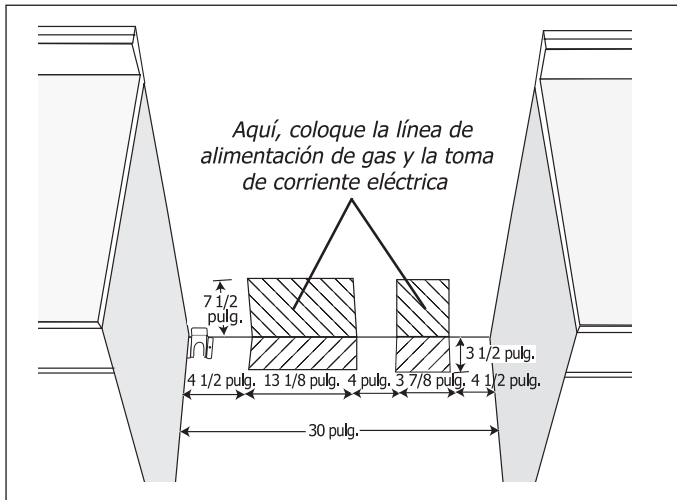
No se requiere ningún espacio libre desde las paredes de la unidad hasta las paredes combustibles verticales adyacentes que se encuentran en la parte trasera, en el lado derecho o izquierdo.

El espacio libre desde la parte superior de la estufa hasta las paredes verticales adyacentes debe ser de, al menos, 4 pulg. (10.2 cm).

NOTA: los acabados de algunos gabinetes no resisten las temperaturas permitidas por U.L., especialmente los hornos con proceso de autolimpieza; los gabinetes pueden descolorarse o mancharse. Esto se nota más con los gabinetes laminados.

3. Preparar la línea de alimentación de gas y la toma de corriente eléctrica

La línea de alimentación de gas y la toma de corriente eléctrica deben colocarse en el área sombreada.



4. Preparar las paredes y el piso

Cierre cualquier orificio que se encuentre en las paredes o en el piso. Retire cualquier obstrucción (conexiones de gas o conexiones eléctricas adicionales, etc.) de manera que la estufa se apoye contra la pared de forma adecuada.

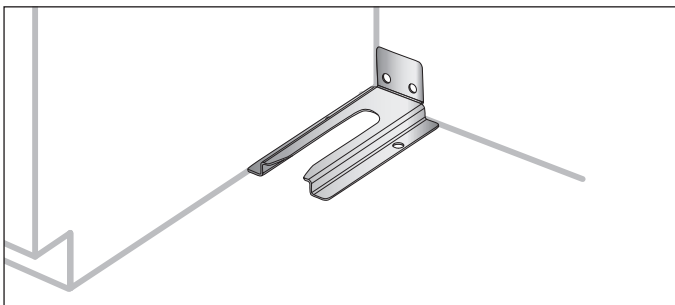
*Las instrucciones fueron determinadas utilizando los gabinetes estándares de los EE. UU. Los gabinetes básicos estándares miden 36 pulg. (91.4 cm) de alto x 24 pulg. (61 cm) de profundidad. Los gabinetes que se encuentran sobre la superficie de cocción y los gabinetes adyacentes a aquellos que se encuentran sobre la superficie de cocción tienen 13 pulg. (33 cm) de profundidad desde la pared trasera. Si se utilizan gabinetes no estándares, se debe tener cuidado de alterar las dimensiones según corresponda.

** En Canadá, se requiere un espacio libre de 12 mm desde la pared lateral de la estufa hasta el gabinete.

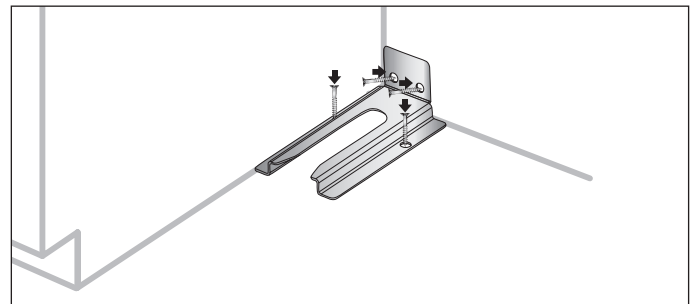
Procedimiento

Instalación del soporte anticaídas

1. Ajuste la altura de la estufa y el nivel girando las bases regulables de las patas que se encuentran en la parte inferior de la estufa. Para ello, utilice una llave de 1 1/4 pulg. (32 mm).
2. Establezca la posición del soporte como se muestra a continuación.



3. Fije el soporte al piso o a la pared con 2 tornillos. Según el material del piso o de la pared, utilice tornillos para madera o tornillos para hormigón sin ancla (incluidos). Los tornillos para hormigón requieren una broca para albañilería de 3/16 pulg. Los tornillos deben brindar una sujeción firme en la madera o en el piso sólidos. No intente colocar en pared seca.



Preparar la conexión eléctrica

Información general

Las estufas tienen una capacidad nominal doble para uso en 120/240 VAC o 120/208 VAC. Vea la tabla que se encuentra a continuación para determinar las capacidades nominales de la alimentación y los tamaños de los disyuntores, según el voltaje de alimentación para cada modelo.

MODELO: HDS

VOLTIOS CA	HZ	CAPACIDAD NOMINAL EN KW	DISYUNTOR
120/240	60	6.5	30 A
120/208	60	4.8	30 A

PRECAUCIÓN

Asegúrese de que la válvula de paso de gas y todos los controles de las hornillas estén en OFF (Apagado) antes de comenzar.

Verificar que el cableado del hogar sea adecuado. Comuníquese con su compañía de servicios públicos local para verificar que el servicio eléctrico actual de su hogar sea adecuado. En algunos casos, debe aumentarse el tamaño del cableado del hogar y del interruptor de servicio, a fin de soportar la carga eléctrica que demanda la estufa.

Verificar que el cableado dentro del hogar sea adecuado.

La mayoría de los códigos de cableado requieren un circuito independiente con interruptor de desconexión y fusibles por separado, ya sea en el panel de entrada principal o en una caja de interruptores y de fusibles por separado.

La estufa requiere un circuito de tres alambres, de 120/240 ó 120/208 voltios, 30 A, 60 Hz, CA.

La mayoría de las reglamentaciones y los códigos sobre construcción locales requieren que el cableado eléctrico sea realizado por electricistas con licencia. Asegúrese de instalar su estufa según los códigos eléctricos implementados en su región.

ADVERTENCIA

Para prevenir descargas eléctricas, la clavija de conexión a tierra del cable de la estufa no debe cortarse ni retirarse en ningún caso. Debe enchufarse en un receptáculo del tipo de conexión a tierra compatible y conectarse a un circuito de 240 voltios correctamente polarizado. Si tiene alguna duda respecto de si el receptáculo de pared se encuentra conectado a tierra de manera adecuada, debe solicitar la verificación de un electricista calificado.

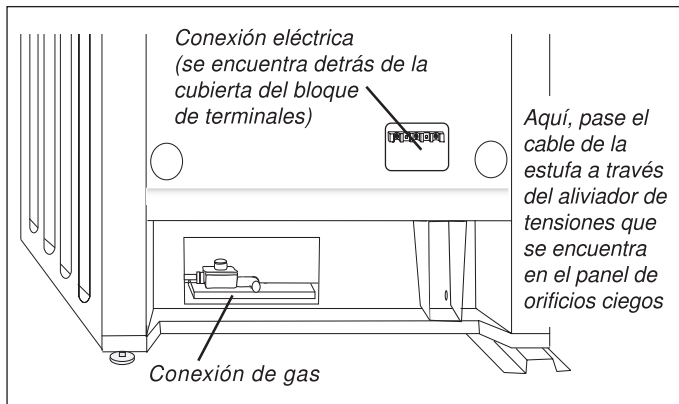
Bosch recomienda que la estufa se instale con un conjunto de cables de alimentación (no suministrados)*. La capacidad nominal eléctrica del conjunto de cables de alimentación debe ser de 120/240 voltios, 30 A como mínimo. El conjunto de cables de alimentación debe marcarse como “Para uso con estufas”. Utilice siempre un cable de alimentación nuevo.

NOTA: en Canadá, la estufa se envía de fábrica con el cable de la estufa ya instalado. Continúe con “Conectar la alimentación de gas”.

Para las instalaciones que no se realicen en Canadá, conecte el cable de la estufa al bloque de terminales (Consulte “Instalar la conexión eléctrica”). Acceda al bloque de terminales retirando la cubierta que se encuentra en la esquina inferior derecha del panel posterior de la estufa. Instale el aliviador de tensiones y el conector adecuado a través del (de los) orificio(s) ciego(s) que se proporciona(n). El suministro eléctrico, incluidos el conducto flexible o el cable de alimentación, debe limitarse a las áreas sombreadas (página 25).

Instalar el aliviador de tensiones

Coloque el aliviador de tensiones en el orificio ciego que se encuentra debajo del bloque de terminales. Pase el cable de la estufa a través del orificio y del aliviador de tensiones hasta el bloque de terminales. Deje que el cable esté holgado entre el aliviador de tensiones y el bloque de terminales. Una vez que se haya ajustado la longitud/la holgura del cable, coloque el aliviador de tensiones de acuerdo con las instrucciones que se incluyen con el aliviador de tensiones.



⚠ ADVERTENCIA

El aliviador de tensiones que se proporciona con el cable de su estufa debe instalarse de manera adecuada.

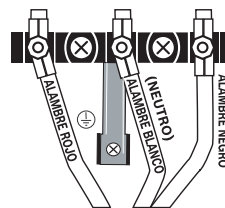
Consejo:

El panel de orificios ciegos que se encuentra debajo del bloque de terminales puede retirarse de la estufa para instalar el aliviador de tensiones: retire el panel de orificios ciegos de la estufa, instale el aliviador de tensiones en el panel y coloque el panel nuevamente. NO retire el panel posterior de la estufa por completo.

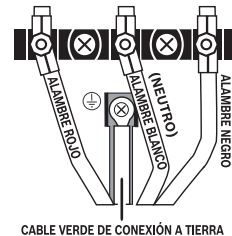
⚠ ADVERTENCIA

Riesgo de descarga eléctrica o de incendio. La conexión a tierra del marco al cable neutro debe realizarse a través de una correa de conexión a tierra. Se prohíbe hacer la conexión a tierra a través del conductor neutro para instalaciones nuevas de circuito derivado (Código Nacional Eléctrico [National Electrical Code, NEC] de 1996), casas rodantes y vehículos recreativos, o en un área en la que los códigos locales prohíban la conexión a tierra a través del conductor neutro. Para las instalaciones en las que se prohíbe la conexión a tierra a través del conductor neutro, (a) desconecte la conexión del conductor neutro, (b) utilice una terminal o un hilo de conexión a tierra para conectar la unidad a tierra, (c) conecte la terminal neutra al hilo neutro del circuito derivado como lo haría usualmente (si el electrodoméstico se conecta a través de un conjunto de cables, utilice un cable de 4 conductores para este fin). Solo utilice conjuntos de cables con una capacidad nominal de 135/250 voltios (como mínimo), 30 amp y etiquetados como "Para uso con estufas". El aliviador de tensiones que se proporciona con el cable debe instalarse de acuerdo con las instrucciones que se incluyen con el cable.

CONEXIÓN DE 3 ALAMBRES



CONEXIÓN DE 4 ALAMBRES

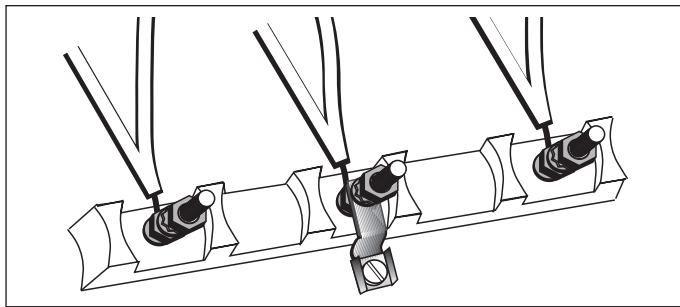


Instalar la conexión eléctrica

Conexión de tres alambres

Se prefiere la conexión de cuatro alambres, pero en los casos en que los códigos y las ordenanzas locales permitan la conexión a tierra a través de un cable neutro y/o la conversión a cuatro alambres no sea posible, la unidad puede conectarse a la alimentación eléctrica a través de una conexión de tres alambres.

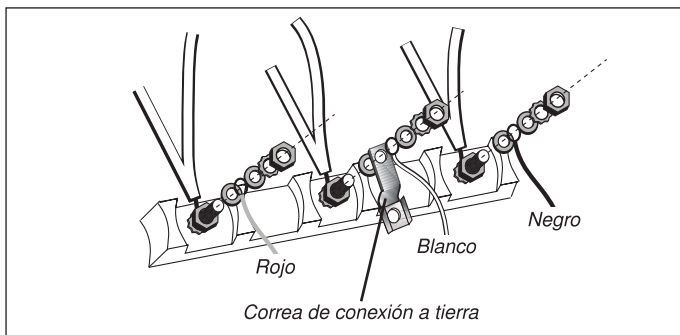
1. Desconecte la alimentación eléctrica en la caja de disyuntores.
2. Retire la cubierta del bloque de terminales para dejar expuesto el bloque de terminales.



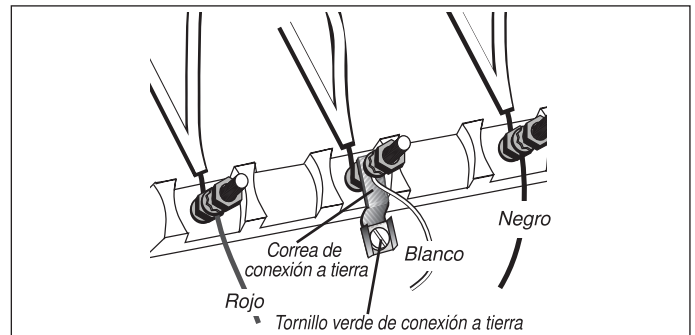
3. Retire la tuerca superior, la arandela dentada y la arandela redonda de cada borne.

NOTA: NO retire la última arandela redonda, la última tuerca ni los hilos de cableado interno.

4. Coloque el alambre blanco, la arandela redonda, la arandela dentada y la tuerca EN ESTE ORDEN, en la parte superior de la correa de conexión a tierra que se encuentra en el borne central.
5. Coloque el alambre rojo, la arandela redonda, la arandela dentada y la tuerca EN ESTE ORDEN, en el borne izquierdo.
6. Coloque el alambre negro, la arandela redonda, la arandela dentada y la tuerca EN ESTE ORDEN, en el borne derecho.



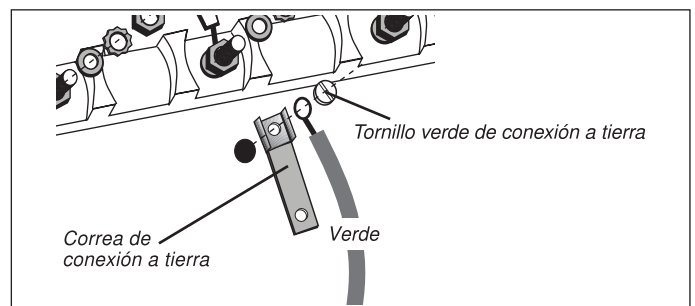
7. Apriete todas las conexiones firmemente y vuelva a colocar la cubierta del bloque de terminales.



8. Fije el alivador de tensiones de manera adecuada (consulte la página 27).

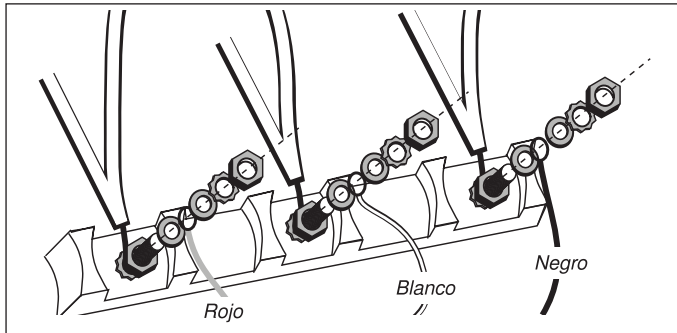
Conexión de cuatro alambres (se prefiere en lugar de la conexión de tres alambres).

1. Desconecte la alimentación eléctrica en la caja de disyuntores.
 2. Retire la cubierta del bloque de terminales para dejar expuesto el bloque de terminales.
 3. Retire la tuerca superior, la arandela dentada y la arandela redonda de cada borne.
- NOTA:** NO retire la última arandela redonda, la última tuerca ni los hilos de cableado interno.
4. Retire el tornillo del extremo inferior de la correa de conexión a tierra.
 5. Retire la correa de conexión a tierra del borne central, gírela de manera que el extremo más ancho se encuentre en la parte superior y conecte el extremo más ancho a la estufa a través del orificio que se encuentra debajo de la caja de empalme. Coloque el alambre verde en la parte superior de la correa de conexión a tierra. Apriete el tornillo.



6. Coloque el alambre rojo, la arandela redonda, la arandela dentada y la tuerca EN ESTE ORDEN, en el borne izquierdo.

7. Coloque el alambre blanco, la arandela redonda, la arandela dentada y la tuerca EN ESTE ORDEN, en el borne central.
8. Coloque el alambre negro, la arandela redonda, la arandela dentada y la tuerca EN ESTE ORDEN, en el borne derecho.



9. Apriete todas las conexiones firmemente y vuelva a colocar la cubierta del bloque de terminales.
10. Fije el aliviador de tensiones de manera adecuada (consulte la página anterior).

NOTA: NO enchufe la estufa en este momento. Continúe con “Conectar la alimentación de gas”.

Conectar la alimentación de gas

Nota importante para los usuarios de LP: la estufa se envía de fábrica para uso con gas natural. Para uso con gas propano (LP), su estufa debe convertirse primero utilizando un kit de conversión de LP.

La conexión de gas se encuentra debajo del panel posterior de la estufa (página 27). Se puede tener acceso a esta a través del panel de acceso del cajón calentador o desde la parte trasera de la estufa. Para llegar al panel de acceso, retire el cajón calentador.

Cierre la válvula de alimentación de gas principal antes de desconectar la antigua estufa y déjela en esa posición hasta que la conexión nueva haya finalizado.

No olvide encender nuevamente el piloto en otros electrodomésticos a gas cuando restablezca el suministro de gas.

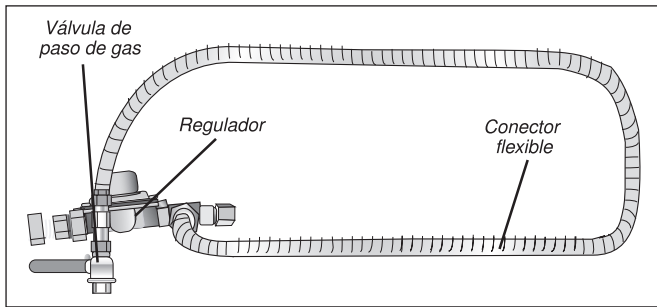
La estufa puede instalarse utilizando una tubería rígida o un conector de metal flexible del electrodoméstico con certificación internacional de la CSA. Si se utiliza un conector flexible, utilice siempre un conector nuevo.

Aplique un compuesto de unión de tuberías o una cinta de Teflon** adecuados para uso con gas LP y gas natural alrededor de todas las roscas macho para tuberías, a fin de prevenir fugas.

Si no hay una válvula de paso de gas, instálela en una ubicación de fácil acceso. Asegúrese de que todos los usuarios sepan dónde desconectar la alimentación de gas de la estufa y cómo hacerlo.

NOTA: el instalador debe informar al consumidor acerca del lugar donde se ubica la válvula de paso de gas.

Método con conector flexible



1. Instale un adaptador abocinado macho de $\frac{1}{2}$ pulg. (12.7 mm) en la rosca interna NPT de $\frac{1}{2}$ pulg. (12.7 mm) de la entrada de la estufa. Utilice una llave de reserva en la conexión acodada para evitar daños.
2. Instale un adaptador de unión abocinado macho de $\frac{1}{2}$ pulg. (12.7 mm) o de $\frac{3}{4}$ pulg. (19 mm) en la rosca interna NPT de la válvula de paso manual.
3. Conecte el conector de metal flexible del electrodoméstico.

⚠ PRECAUCIÓN

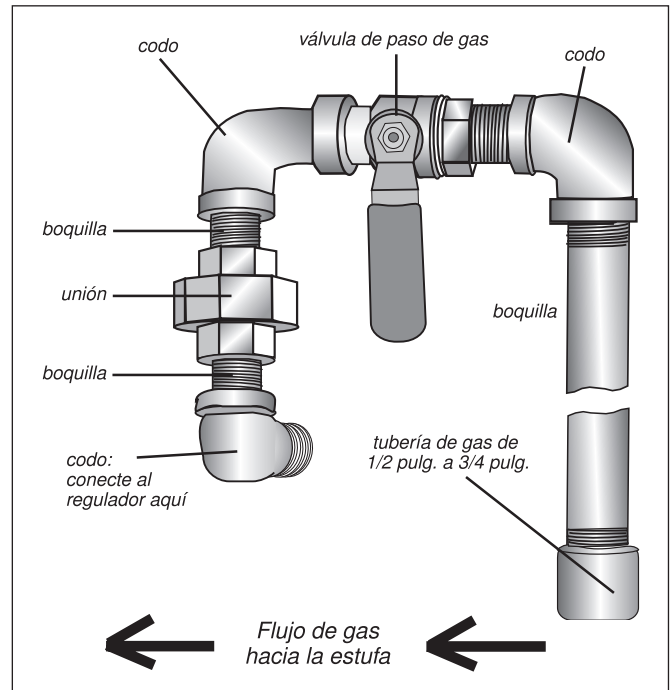
Antes de enchufar un cable eléctrico, asegúrese de que todos los controles estén en OFF (Apagado).

4. Asegúrese de que el disyuntor esté desconectado y, luego, enchufe el cable de la estufa en la toma de corriente eléctrica.
5. Deslice la estufa en posición y asegúrese de que la pata trasera izquierda se deslice debajo del soporte anticaídas. La estufa estará a $\frac{3}{4}$ pulg. (19 mm) de la pared trasera si se instala de manera adecuada.

NOTA: ¡tenga cuidado de no doblar el conector flexible!

6. Con cuidado, incline la estufa hacia adelante jalando desde la parte trasera, a fin de asegurarse de que el soporte anticaídas esté enganchado en la pata de la estufa y evite las caídas.

Método con tubería rígida



La configuración de la conexión de la tubería rígida variará según la ubicación del muñón de la tubería de gas. Consulte la figura anterior para obtener detalles.

⚠ PRECAUCIÓN

Antes de enchufar un cable eléctrico, asegúrese de que todos los controles estén en OFF (Apagado).

1. Asegúrese de que el disyuntor esté desconectado y, luego, enchufe el cable de la estufa en la toma de corriente eléctrica.
2. Deslice la estufa en posición y asegúrese de que la pata trasera izquierda se deslice debajo del soporte anticaídas. La estufa estará a $\frac{3}{4}$ pulg. (19 mm) de la pared trasera si se instala de manera adecuada.
3. Con cuidado, incline la estufa hacia adelante jalando desde la parte trasera, a fin de asegurarse de que el soporte anticaídas esté enganchado en la pata de la estufa y evite las caídas.
4. Conecte la tubería a la estufa donde se encuentra la unión. Acceda a la conexión a través del panel de acceso que se encuentra detrás del cajón calentador.

NOTA: tenga cuidado de no presionar el elemento del cajón calentador durante la instalación de la tubería rígida.

** Teflon es una marca comercial registrada de DuPont.

Probar la instalación

Realizar una prueba de fugas de gas

La prueba de fugas debe ser realizada por el instalador según las instrucciones que se brindan en esta sección.

Encienda el gas. Coloque un líquido de detección de fugas no corrosivo en todas las juntas y los accesorios de la conexión de gas entre la válvula de paso y la estufa. Incluya los accesorios de gas y las juntas en la estufa si existe la posibilidad de que se hayan movido las conexiones durante la instalación. **La presencia de burbujas alrededor de los accesorios y las conexiones indican una fuga.**

Si se produce una fuga, cierre la válvula de paso de gas de la línea de alimentación y apriete las conexiones. Verifique nuevamente que no haya fugas abriendo la válvula de paso de gas de la línea de alimentación. Cuando haya finalizado de verificar que no haya fugas (no hay burbujas), la prueba está completa. Limpie todos los restos de líquido de detección.

PRECAUCIÓN

Nunca verifique que haya fugas con una llama. No continúe con el próximo paso hasta que se hayan eliminado todas las fugas.

Probar el encendido eléctrico

Encienda la alimentación eléctrica en el disyuntor.

PRECAUCIÓN

Si la pantalla titila y emite bips, se puede invertir la polaridad del cableado. La polaridad inversa puede dañar la estufa y puede ocasionar peligro de descargas eléctricas. Apague la alimentación eléctrica en el disyuntor inmediatamente y regrese a “Instalar la conexión eléctrica”.

Seleccione la perilla de una hornilla que se encuentre en la parrilla. Empuje y gire hacia el lugar donde se encuentra el símbolo de la llama. Si el encendedor/el módulo de encendido por chispas funcionan correctamente, producirán un clic.

Una vez que se haya purgado el aire de las líneas

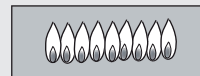
de suministro, la hornilla debe encenderse en el término de cuatro (4) segundos. Después de que se encienda la hornilla, gire la perilla a OFF (Apagado). Pruebe cada hornilla de la parrilla de esta manera.

Llame al servicio técnico de Bosch, al 800-944-2904, si alguna de las hornillas no se enciende.

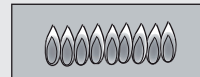
Es normal ver algunas vetas amarillas durante el encendido inicial. Deje que la unidad funcione durante 4 ó 5 minutos y vuelva a evaluarla antes de realizar ajustes.

Cómo verificar las características de las llamas

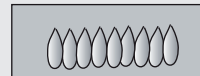
Llamas amarillas:
Se requiere un ajuste adicional.



Puntas amarillas en conos
externos: Normal para gas LP.



Llamas azul claro:
Normal para gas natural.



Probar/ajustar la llama

Valores de llama altos

Debe realizarse una inspección visual de la calidad de la combustión de la llama para cada hornilla. Para el gas propano, la llama debe ser azul con puntas amarillas. Para el gas natural, debe ser azul claro. La llama debe tener continuidad, o la hornilla debe encenderse completamente, y no debe levantarse ni separarse de la hornilla.

Para realizar la inspección, encienda la hornilla. Consulte la figura que se encuentra de este lado para obtener las características adecuadas de la llama.

Si la llama es amarilla en su totalidad o en su mayor parte, verifique que el regulador esté programado para el combustible correcto. Después de ajustarla, vuelva a probarla. **Si alguna de las hornillas continúa encendida con una llama amarilla en su totalidad o en su mayor parte, llame al servicio técnico de Bosch, al 800-944-2904.**

NOTA: con el uso de LP, es normal que se observen algunas puntas amarillas en conos externos.

Valores de llama bajos

Todas las hornillas deben ser inspeccionadas para detectar la continuidad de la llama. Con valores de llama bajos, la hornilla debe encenderse completamente.

Si alguna de las hornillas de la placa no se enciende completamente con un valor de llama bajo, llame al servicio técnico de Bosch, al 800-944-2904.

La instalación ha finalizado en este punto.

Si está correctamente ajustada:

Debe haber una llama en cada orificio de la hornilla. No debe haber un espacio de aire entre la llama y la hornilla.

Piezas de repuesto: visite a su distribuidor de Bosch para obtener piezas de repuesto. Para obtener un distribuidor cercano a su hogar, comuníquese con el servicio técnico de Bosch llamando al 800-944-2904.

Servicio técnico

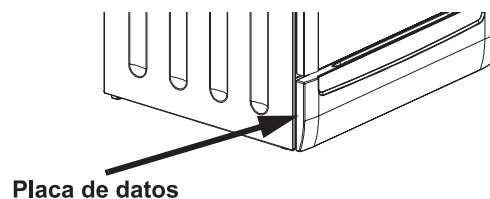
Antes de llamar al servicio técnico

Para obtener información sobre resolución de problemas, consulte el Manual de uso y cuidado. Consulte la garantía en el Manual de uso y cuidado.

Para consultar a un representante de servicio técnico, remítase a la información de contacto que aparece en el frente del manual. Cuando llame, tenga a la mano la información impresa en la placa de datos de su producto.

Placa de datos del producto. La placa de datos muestra el modelo y el número de serie. Al solicitar servicio técnico, consulte la placa de datos del electrodoméstico. Está ubicada en el marco cerca del cajón.

Abra el cajón para verla.





BOSCH

Invented for life

1901 Main Street, Suite 600 Irvine, CA 92614 800-944-2904 • www.boschappliances.com
9000834389 • 5V0NWM • Rev. B • 10/12 © BSH Home Appliances Corporation