



**Extractor hood**



**BOSCH**

[en] Instructions for installation and use

<b>INSTRUCTION MANUAL</b> .....	<b>2</b>	Light.....	5
Environmental protection.....	2	Saturation displays .....	5
<b>Safety instructions</b> .....	<b>2</b>	Acoustic signal.....	5
<b>Operating modes</b> .....	<b>4</b>	<b>Installing and removing filter</b> .....	<b>6</b>
Exhaust air mode.....	4	<b>Cleaning and care</b> .....	<b>6</b>
Circulating-air mode .....	4	<b>Replacing bulbs</b> .....	<b>7</b>
<b>Operation</b> .....	<b>5</b>	<b>INSTALLATION INSTRUCTIONS</b> .....	<b>8</b>
Setting the fan .....	5	<b>Safety notes</b> .....	<b>8</b>
Manual mode.....	5	<b>Installation</b> .....	<b>9</b>
Automatic mode.....	5	Pipe dimensions .....	9
Sensor control .....	5	Preparing the ceiling .....	9
Intensive setting .....	5	Attaching flue duct.....	10
Switching on fan run-on.....	5		

## INSTRUCTION MANUAL

Additional information on products, accessories, replacement parts and services can be found at [www.bosch-home.com](http://www.bosch-home.com) and in the online shop [www.bosch-eshop.com](http://www.bosch-eshop.com)

Please find the contact data of all countries in the enclosed customer service list.

### To book an engineer visit and product advice

- GB** 0844 8928979  
 Calls from a BT landline will be charged at up to 3 pence per minute. A call set-up fee of up to 6 pence may apply.
- IE** 01450 2655

Trust the expertise of the manufacturer, and rest assured that the repair will be carried out by trained service technicians using original spare parts for your domestic appliance.

### Environmental protection



This appliance is labelled in accordance with the European Directive 2002/96/EU concerning used electrical and electronic appliances (WEEE – waste electrical and electronic equipment). The guideline determines the framework for the return and recycling of used appliances as applicable.

## ⚠ Safety instructions

### General information

Follow these instructions, in particular the safety instructions. The appliance can only be used safely if it is correctly installed according to the safety instructions. Retain the instructions for subsequent use or for the next owner.

This appliance is designed to be used in the home only. The manufacturer is not liable for damage which is caused by improper use or incorrect operation.

### Danger of suffocation!

from packaging material. Never allow children to play with packaging material.

After unpacking the appliance, check it for visible damage. Do not connect the appliance if it has been damaged in transit.

These instructions apply to several appliance models. It is possible that individual features are described which do not apply to your appliance.

Adults and children must never use the appliance unsupervised if they are not physically or mentally capable of doing so or if they lack the knowledge and experience to operate the appliance correctly and safely.

Never allow children to play with the appliance!

Please contact our customer service regarding any queries or faults (see list of customer service centres).

When calling, please quote the following numbers:

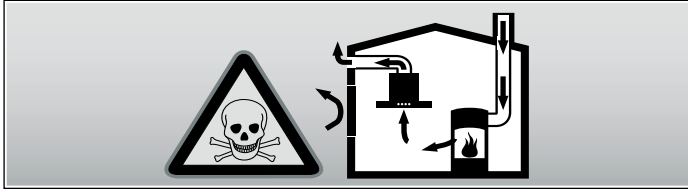
E-Nr.	FD
-------	----

The numbers can be found on the rating plate inside the appliance (to do this, remove the metal-mesh grease filter). Enter the numbers in the above box so that you can easily find them when required.

## Installation

### Mortal danger, risk of intoxication!

Due to combustion gases sucked back in. Never operate the appliance in the exhaust air mode at the same time as a room air-dependent heat-producing appliance unless an adequate supply of fresh air is ensured.

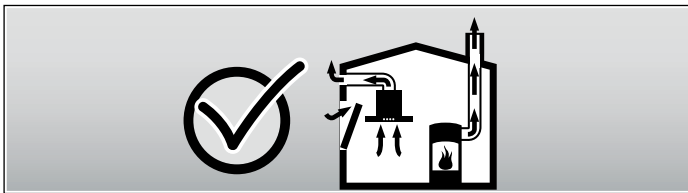


Room air-dependent heat-producing appliances (e.g. gas, oil, wood or coal-operated heaters, continuous flow heaters or water heaters) obtain combustion air from the room in which they are installed and discharge the exhaust gases into the open through an exhaust gas system (e.g. a chimney).

In combination with an activated vapour extractor hood, room air is extracted from the kitchen and neighbouring rooms - a partial vacuum is produced if not enough fresh air is supplied. Toxic gases from the chimney or the extraction shaft are sucked backed into the living space.

- Adequate incoming air must therefore always be ensured.
- An incoming/exhaust air wall box alone will not ensure compliance with the limit.

Safe operation is possible only whenever the partial vacuum in the place where the firing equipment is installed does not exceed 4 Pa (0.04 mbar). This can be achieved whenever the air needed for combustion is able to enter through openings that cannot be sealed, for example in doors, windows, incoming/exhaust air wall boxes or by other technical means.



In any case, consult your responsible chimney sweep. He is able to assess the house's entire ventilation setup and will suggest the suitable ventilation measures to you.

Unrestricted operation is possible if the vapour extractor hood is operated exclusively in the recirculation mode.

### Risk of fire!

from flying sparks. Do not install appliance above a solid fuel heater (e.g. wood or coal) unless a closed, non-removable cover is available.

### Caution!

Risk of damage from heat accumulation due to too narrow gap between appliance and high-sided unit or wall. Only one side of the appliance may be installed directly next to a high-sided unit or a wall. Distance between the appliance and wall or high-sided unit must be at least 50 mm.

The specified safety distances must be observed. Also observe the specifications for your cooking appliance. If gas and electric hobs are operated together, the largest specified distance applies.

The width of the extractor hood must correspond at least with the width of the hob.

For the installation observe the currently valid building regulations and the regulations of the local electricity and gas suppliers.

### Risk of electric shock!

from damaged connection cable. Do not kink or pinch connection cable during installation.

### Risk of fire, risk of injury!

from damaged connection cable. A damaged connection cable must be replaced by a qualified technician (electrician).

### Risk of injury!

From sharp edges during installation. Always wear protective gloves while installing the appliance.

### Risk of injury!

from a falling appliance. All safety screws and safety caps must be firmly fitted.

## Using the appliance

### Risk of burns!

from hot appliance when used with cooking appliances. Keep children away and ensure appliance is used properly.

### Risk of injury, risk of damage!

from objects falling on the appliance. Never place objects on the appliance.

### Risk of fire, risk of burns!

if gas hotplates not covered with cooking utensils. Always use gas hotplates with appropriate cooking utensils. Regulate flame to ensure that it does not lick over the cooking utensil.

### Risk of burns, risk of damage!

if several gas hotplates are operated simultaneously. Never operate two gas hotplates simultaneously on the highest flame for longer than 15 minutes. The housing will become very hot due to the intense heat.

**Note:** One large burner of more than 5 kW (Wok) is equivalent to the power of two gas burners.

### Risk of fire!

- from grease deposits in the metal-mesh grease filter. Never work under the appliance with a naked flame (e.g. flambéing). Always operate appliance with metal-mesh grease filter. Regularly clean the metal-mesh grease filter.
- from overheated fats and oils. Heat fats and oils under constant supervision only. Never extinguish fire with water, always use a fire blanket, lid or plate.

### Caution!

Risk of damage due to corrosion. Always switch on the appliance while cooking to avoid condensation. Condensate can produce corrosion damage.

### Risk of injury!

due to LED lights of risk group 1. Do not look directly into the switched on LED lights for longer than 100 seconds.

## Cleaning and care

### Risk of burns, risk of electric shock!

from appliance. Always leave appliance to cool down before cleaning or servicing. Switch off fuse or pull out mains plug.

### Caution!

- Risk of damage due to ingress of humidity into the electronic circuitry. Never clean operator controls with a wet cloth.
- Surface damage due to incorrect cleaning. Clean stainless steel surfaces in the grind direction only. Do not use any stainless steel cleaners for operator controls.
- Surface damage due to strong or abrasive cleaning agents. Never use strong and abrasive cleaning agents.

## Maintenance and repair

### Risk of fire, risk of injury!

from improper repairs. Switch off fuse or pull out mains plug. Repairs may be performed by a qualified technician (electrician) only.

### Risk of injury!

from defective or damaged appliance. Switch off fuse or pull out mains plug and call customer service.

### Risk of fire, risk of injury!

from damaged connection cable. A damaged connection cable must be replaced by a qualified technician (electrician).

### Risk of burns, risk of electric shock!

from defective bulbs. Switch off fuse or pull out mains plug. Always replace defective bulbs immediately (leave bulbs to cool down first) to prevent the remaining bulbs from overloading.

---

## Operating modes

This appliance can be used in exhaust-air mode or circulating-air mode.

### Exhaust air mode



The air which is drawn in is cleaned by the grease filters and conveyed to the exterior by a pipe system.

**Note:** The exhaust air must not be conveyed into a functioning smoke or exhaust gas flue or into a shaft which is used to ventilate installation rooms which contain heating appliances.

- Before conveying the exhaust air into a non-functioning smoke or exhaust gas flue, obtain the consent of the heating engineer responsible.
- If the exhaust air is conveyed through the outer wall, a telescopic wall box should be used.

### Circulating-air mode



The air which is drawn in is cleaned by the grease filters and an activated carbon filter and conveyed back into the kitchen.

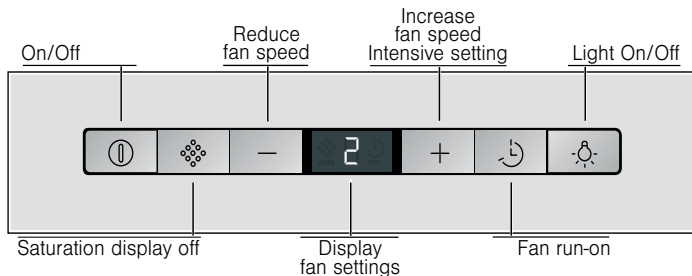
**Note:** To bind odours in circulating-air mode, you must install an activated carbon filter. The different options of operating the appliance in circulating-air mode can be found in the brochure or ask your dealer. The required accessories are available from specialist outlets, from customer service or from the Online Shop. The accessory numbers can be found at the end of the instructions for use.

# Operation

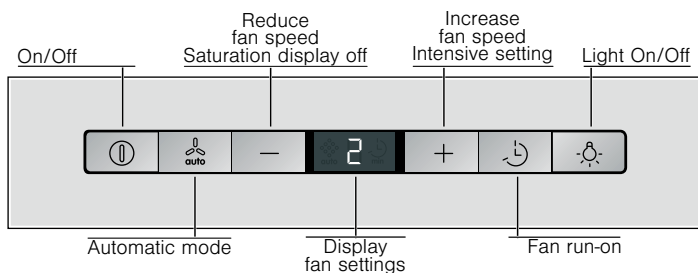
These instructions apply to several appliance models. It is possible that individual features are described which do not apply to your appliance.

**Note:** Switch on the extractor hood when you start cooking and switch it off again several minutes after you have finished cooking. This is the most effective way of removing the kitchen fumes.

## Control panel variant 1



## Control panel variant 2



## Setting the fan

- Press the ⓘ button to switch on the appliance. The fan starts at setting 2.
- The fan can be set manually (model 1 and model 2) or automatically (model 2 only).

## Manual mode

Increase fan setting by pressing the + button and reduce it by pressing the - button.

## Automatic mode

The appliance must be switched on.

- Press button auto.
- The optimum fan setting 1, 2 or 3 is automatically set via a sensor.

## Sensor control

In automatic mode sensors on the extractor hood detect the density of the kitchen fumes. Depending on the setting of the sensors, the extractor hood automatically switches to another fan setting.

Factory setting: Setting 5

Lowest setting: Setting 0

Highest setting: Setting 9

If the sensor control responds too quickly or too slowly, it can be changed accordingly:

1. When the fan is switched off, hold down button auto for 4 seconds. The setting is displayed.
2. The setting of the sensor control is changed by pressing the + or - button again.
3. To acknowledge the inputs, hold down the auto button for 4 seconds.

## Intensive setting

You can use the Intensive setting for particularly strong odour and fume generation.

- Press the + button several times.
- is indicated on the display.

The duration is limited. Then the fan is automatically reduced to a lower setting. You can reduce the setting any time by pressing the - button.

## Switching on fan run-on

- Press button .  
The fan runs for approx. 9 min at the selected fan setting. Then the fan switches off automatically.
- As long as is lit, the run-on time can be changed. To do this, press the - or + button.

The current run-on time can be displayed at any time by pressing the button or changed by pressing the - or + button.

## Light

The light can be switched on and off independently of the fan.

Press button .

## Setting the brightness

Hold down the button until the required brightness is obtained.

## Saturation displays

When the metal-mesh grease filters or the activated carbon filter are saturated, a signal sounds for 4 seconds after the fan is switched off.

In addition, the following symbol is indicated on the display:

- **Metal-mesh grease filter:**
- **Activated carbon filter:**

Now, at the latest, the metal-mesh grease filters should be cleaned or the activated carbon filter changed.

While the saturation displays are flashing, they can be reset. To do this, press the button (model 1) or the - button (model 2).

## Switching over the display for circulating-air mode

For circulating air mode the electronic control display must be switched over accordingly:

- The extractor hood must be connected and switched off.
- Simultaneously press the ⓘ and buttons until is lit.
- Press the button combination ⓘ and to switch the electronic control display back to exhaust air mode (display ).

## Acoustic signal

When a button is pressed, an acknowledgement signal sounds.

### Switching off the acoustic signal

When the fan is switched off, simultaneously hold down buttons ⓘ and + for approx. 3 seconds.

An acknowledgement signal sounds.

### Switching on the acoustic signal

Repeat the "Switching off the acoustic signal" process.

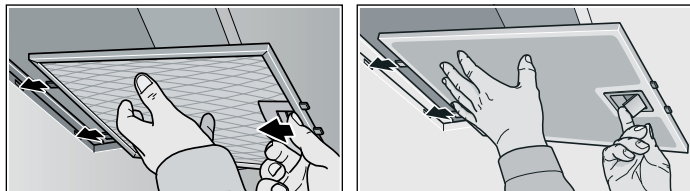
# Installing and removing filter

## **⚠ Risk of burns, risk of electric shock!**

from appliance. Always leave appliance to cool down before cleaning or servicing. Switch off fuse or pull out mains plug.

### Removing metal-mesh grease filter

1. Open lock and fold down the metal-mesh grease filter.  
In doing so, place other hand under the metal-mesh grease filter.
2. Take metal-mesh grease filter out of the holder.

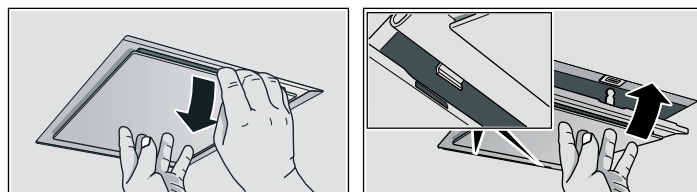


### With edge extraction

1. Pull metal-mesh grease filter downwards.  
In doing so, place other hand under the metal-mesh grease filter.
2. Take metal-mesh grease filter out of the holder.

#### Notes

- Grease can accumulate in the bottom of the metal-mesh grease filter.
- Do not hold metal-mesh grease filter at an angle, otherwise grease will drip out.



### Installing metal-mesh grease filter

1. Insert metal-mesh grease filter.  
In doing so, place other hand under the metal-mesh grease filter.
2. Fold up metal-mesh grease filter and lock.

# Cleaning and care

## **⚠ Risk of burns, risk of electric shock!**

from appliance. Always leave appliance to cool down before cleaning or servicing. Switch off fuse or pull out mains plug.

### Caution!

- Risk of damage due to ingress of humidity into the electronic circuitry. Never clean operator controls with a wet cloth.
- Surface damage due to incorrect cleaning. Clean stainless steel surfaces in the grind direction only. Do not use any stainless steel cleaners for operator controls.
- Surface damage due to strong or abrasive cleaning agents. Never use strong and abrasive cleaning agents.

### Cleaning appliance surface

Suitable cleaning agents and care products for your appliance can be purchased via the Hotline or from the Online Shop (see front of the instructions for use).

**Note:** The appliance surface and controls are scratch-sensitive. Observe the warranty regulations in the enclosed service booklet and the following cleaning instructions:

- Clean the surfaces with a soft, damp cloth, washing-up liquid or a mild window cleaner. Soften dried dirt with a damp cloth.  
**Do not scratch!**
- Dry cloths, abrasive sponges, scouring agents, cleaning agents containing sand, soda, acid, chlorine or any other aggressive substances are not suitable.
- Clean the stainless steel surfaces in the direction of the ground surface only.
- Do not use stainless steel cleaner or wet cloths for the controls.

### Cleaning metal-mesh grease filters

The inserted metal-mesh grease filters absorb the grease particles from the kitchen fumes. Clean the metal-mesh grease filters under normal use (1 to 2 hours daily) approx. every three months.

#### Notes

- Do not use any aggressive, acidic or alkaline cleaning agents.
- When cleaning the metal-mesh grease filters, also clean the holder for the metal-mesh grease filters in the appliance using a damp cloth.
- The metal-mesh grease filters can be cleaned in the dishwasher or by hand.

#### In the dishwasher:

**Note:** If the metal-mesh grease filters are cleaned in the dishwasher, slight discoloration may occur. This has no effect on the function of the metal-mesh grease filters.

- Do not clean heavily soiled metal-mesh grease filters together with utensils.
- Place the metal-mesh grease filters loosely in the dishwasher. The metal-mesh greases filter must not be wedged in.

#### By hand:

**Note:** You can use a special grease solvent for stubborn dirt. It can be ordered via the Online Shop.

- Soak the metal-mesh grease filters in a hot soapy solution.
- Clean the filters with a brush and then rinse them thoroughly.
- Leave the metal-mesh grease filters to drain.

# Replacing bulbs

## **⚠ Risk of burns, risk of electric shock!**

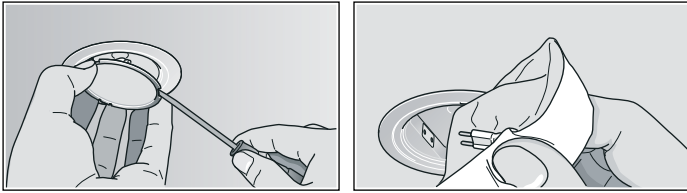
from defective bulbs. Switch off fuse or pull out mains plug. Always replace defective bulbs immediately (leave bulbs to cool down first) to prevent the remaining bulbs from overloading.

**Important!** Use only bulb of the same type and same power (see bulb holder or rating plate inside the appliance) – to do this remove metal-mesh grease filter.

## Replacing halogen bulbs

**Note:** When inserting halogen bulbs, do not touch the glass tube. Use a clean cloth to insert the halogen bulbs.

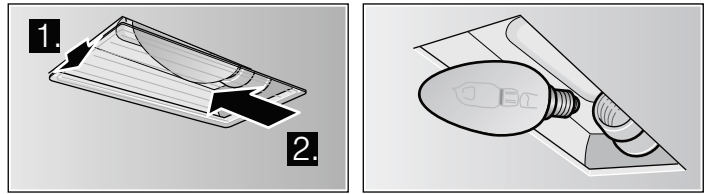
1. Carefully remove bulb ring using a suitable tool.
2. Pull out bulb and replace with bulb of the same type.



3. Insert bulb cover.
4. Insert mains plug or switch on fuse again.

## Replacing filament bulbs

1. Lift bulb cover slightly and push towards the outside of the appliance.
2. Unscrew bulb and replace with bulb of the same type.



3. Insert bulb cover.
4. Insert mains plug or switch on fuse again.

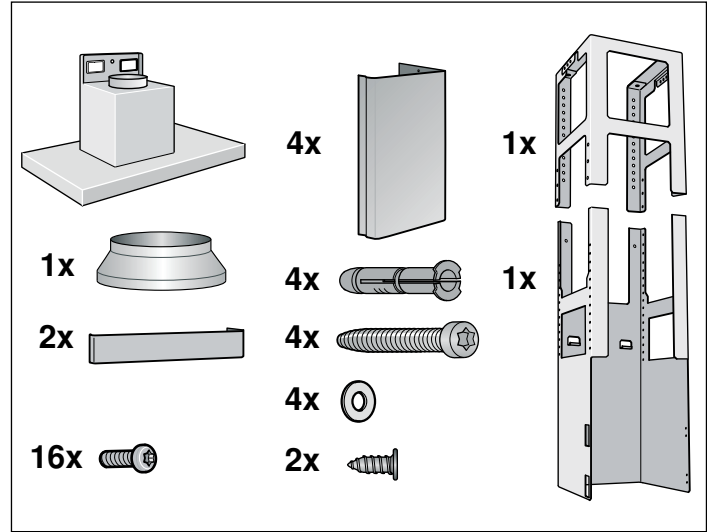
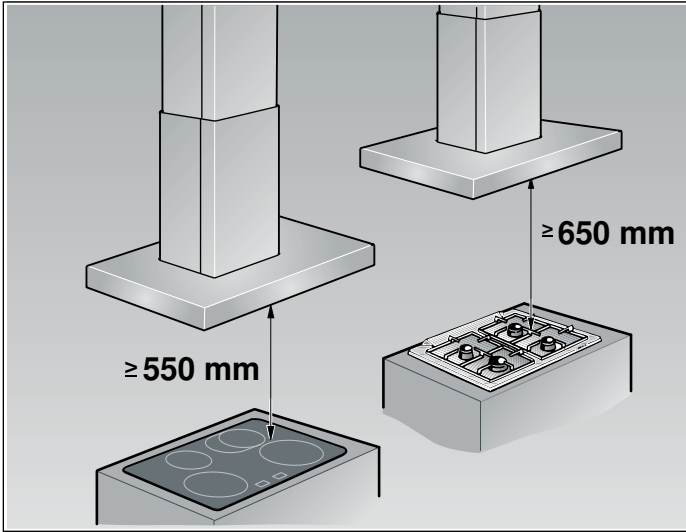
## LED lights

Defective LED lights may be replaced by the manufacturer, his customer service or a qualified technician (electrician) only.

## **⚠ Risk of injury!**

due to LED lights of risk group 1. Do not look directly into the switched on LED lights for longer than 100 seconds.

# INSTALLATION INSTRUCTIONS

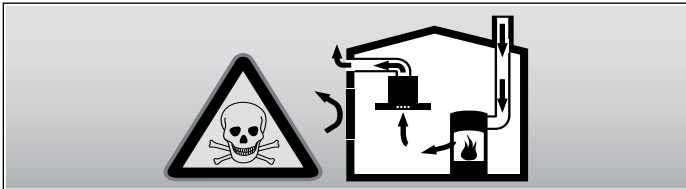


- This appliance is fitted to the kitchen ceiling or a stable suspended ceiling.
- Follow the enclosed installation instructions for additional special accessories (e.g. for circulating-air mode).
- The surfaces of the appliance are sensitive. Avoid damaging them during installation.

## Safety notes

### ⚠ Mortal danger, risk of intoxication!

Due to combustion gases sucked back in. Never operate the appliance in the exhaust air mode at the same time as a room air-dependent heat-producing appliance unless an adequate supply of fresh air is ensured.

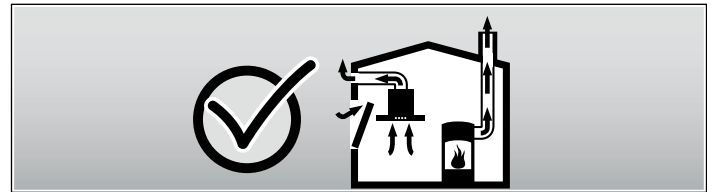


Room air-dependent heat-producing appliances (e.g. gas, oil, wood or coal-operated heaters, continuous flow heaters or water heaters) obtain combustion air from the room in which they are installed and discharge the exhaust gases into the open through an exhaust gas system (e.g. a chimney).

In combination with an activated vapour extractor hood, room air is extracted from the kitchen and neighbouring rooms - a partial vacuum is produced if not enough fresh air is supplied. Toxic gases from the chimney or the extraction shaft are sucked backed into the living space.

- Adequate incoming air must therefore always be ensured.
- An incoming/exhaust air wall box alone will not ensure compliance with the limit.

Safe operation is possible only whenever the partial vacuum in the place where the firing equipment is installed does not exceed 4 Pa (0.04 mbar). This can be achieved whenever the air needed for combustion is able to enter through openings that cannot be sealed, for example in doors, windows, incoming/exhaust air wall boxes or by other technical means.



In any case, consult your responsible chimney sweep. He is able to assess the house's entire ventilation setup and will suggest the suitable ventilation measures to you.

Unrestricted operation is possible if the vapour extractor hood is operated exclusively in the recirculation mode.

### ⚠ Risk of fire!

from flying sparks. Do not install appliance above a solid fuel heater (e.g. wood or coal) unless a closed, non-removable cover is available.

For the installation observe the currently valid building regulations and the regulations of the local electricity and gas suppliers.

### ⚠ Risk of electric shock!

from damaged connection cable. Do not kink or pinch connection cable during installation.

### ⚠ Risk of injury!

From sharp edges during installation. Always wear protective gloves while installing the appliance.

### ⚠ Risk of injury!

from a falling appliance. All safety screws and safety caps must be firmly fitted.



# Installation

## Pipe dimensions

**Note:** The device manufacturer does not assume any warranty for complaints attributable to the pipe section.

- The device achieves its optimum performance by means of a short, straight exhaust air pipe and as large a pipe diameter as possible.
- As a result of long rough exhaust air pipes, many pipe bends or diameters, the optimum extraction performance is not achieved and fan noise is increased.
- The pipes or hoses for laying the exhaust air line must consist of non-combustible material.

### Round pipes

An inner diameter of 150 mm, but at least 120 mm, is recommended.

### Flat ducts

The inner cross-section must correspond to the diameter of the round pipes.

Ø 150 mm approx. 177 cm<sup>2</sup>

Ø 120 mm approx. 113 cm<sup>2</sup>

- Flat ducts should have no sharp deflections.
- Use sealing strip for deviating pipe diameters.

## Preparing the ceiling

- The ceiling must be flat, horizontal and adequately load-bearing.
- The depth of the boreholes must be the same length as the screws. The wall plugs must have a secure grip.
- The enclosed screws and wall plugs are suitable for solid brickwork. Suitable fasteners must be used for other structures (e.g. plasterboard, porous concrete, poroton bricks).

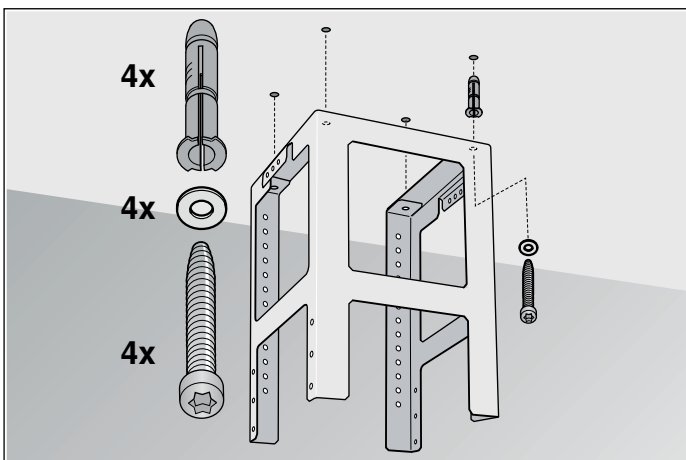
- The max. weight of the extractor hood is **50 kg**.

## Attaching upper support frame

1. Before installation, specify the total height of the support frame and mark the screw holes.

**Note:** The height of the support frame can be adjusted in 20 mm steps.

2. On the ceiling mark the centre point of the appliance.
3. Using the enclosed template, mark the positions for the screws on the ceiling.



4. Drill four 8 mm Ø holes to a depth of 80 mm for the attachments and press in the wall plugs flush with the wall.
5. Attach the upper part of the support frame to the ceiling with 4 screws.

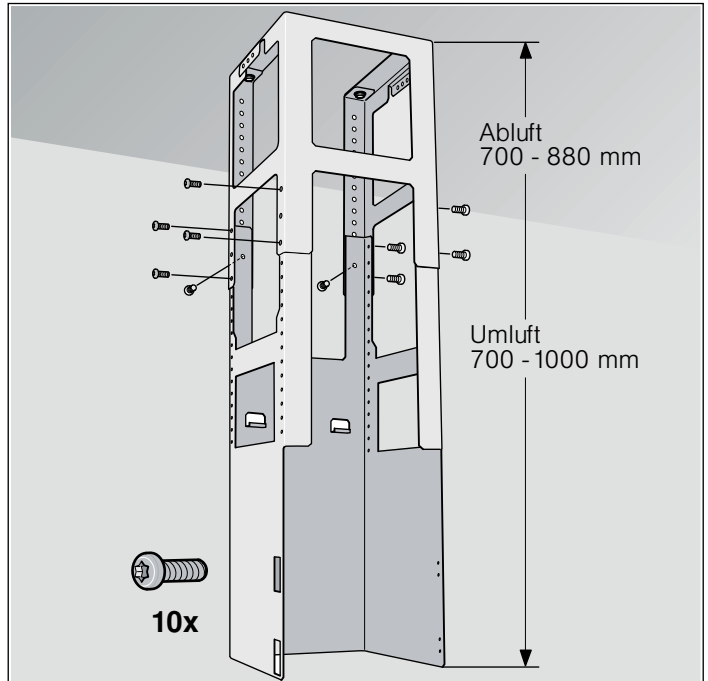
**Note:** Ensure that the support frame is in the correct position. The middle bracket defines the preferred side and must be facing the hob control.

## Attaching lower support frame

Attach upper and lower parts of the support frame at the specified total height using 10 screws.

### Notes

- Ensure that the lower support frame is in the correct position. The open side must be facing the hob control.
- The support frame can be re-aligned by loosening the fastening screws.

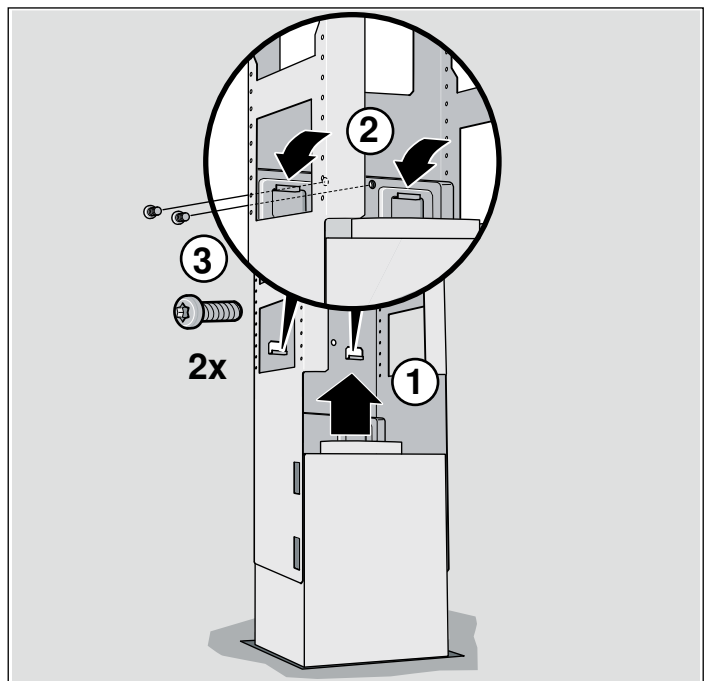


## Installing the appliance

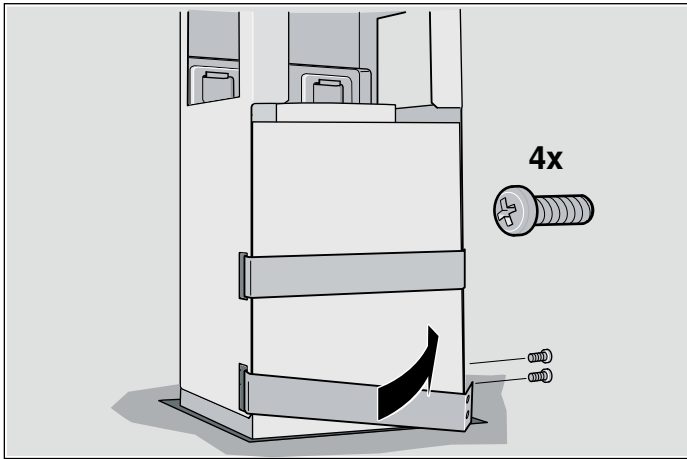
1. Hook the appliance from below into the support frame.

**Note:** Ensure that the mains cable is not trapped.

2. Attach the appliance to the support frame using 2 securing screws.



3. Hook in retaining clip and screw tight.



### Connecting the pipes

**Note:** If using an aluminium pipe, smooth the connection area beforehand.

#### Exhaust-air pipe Ø 150 mm (recommended size)

Attach exhaust-air pipe directly to the air-pipe connector and seal.

#### Exhaust-air pipe Ø 120 mm

1. Attach reducing connector directly to the air-pipe connector.
2. Attach exhaust air pipe to the reducing connector.
3. Seal both joints appropriately.

### Electrical connection

#### **⚠ Risk of electric shock!**

from damaged connection cable. Do not kink or pinch connection cable during installation.

The required connection data can be found on the rating plate inside the appliance; to do this, remove the metal-mesh grease filter.

#### **Length of the connection cable: approx. 1.30 m**

This appliance complies with the EC interference suppression regulations.

This appliance may be connected to a correctly installed earthed socket only.

Attach the earthed socket preferably inside the flue duct.

- The earthed socket should be connected via its own circuit.
- If the earthed socket is no longer accessible following installation of the appliance, a disconnecter must be fitted as for a permanent connection.

If a permanent connection is required, the installation must feature an all-pole disconnecter (circuit breakers, fuses and contactors) with a min. 3 mm contact opening. The permanent connection may be installed by an electrician only.

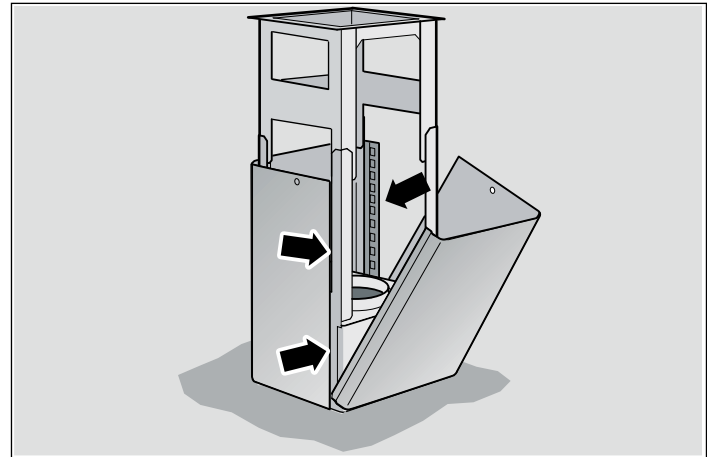
### Attaching flue duct

#### **⚠ Risk of injury!**

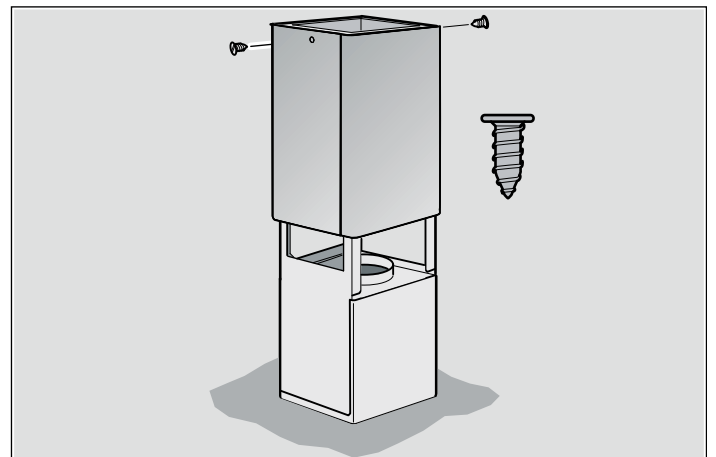
From sharp edges during installation. Always wear protective gloves while installing the appliance.

1. Separate the flue ducts.  
To do this, remove the adhesive tape.
2. Remove the protective foil from both sides.
3. Attach both parts of the upper flue to the appliance and push together.

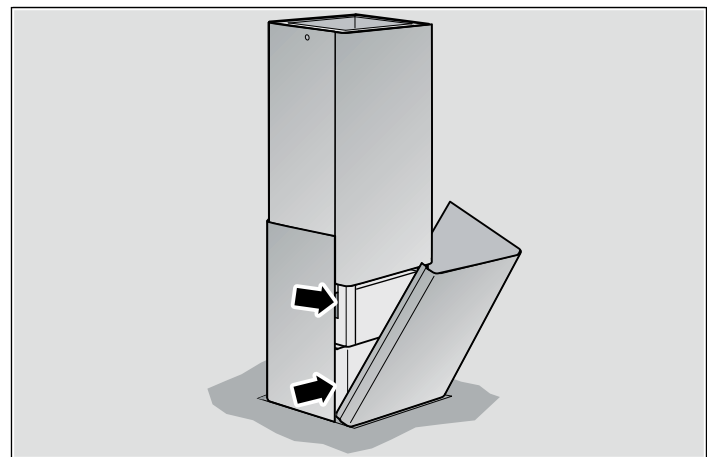
**Note:** To prevent scratches, place paper for protection over the edges of the outer flue duct.



4. Push up the upper flue part and secure with 2 screws.



5. Insert both lower parts of the flue and push together.



<p>DHZ5365</p>	<p>DHZ5365</p>
<p>DHZ5385</p>	<p>DHZ5385</p>
<p>DSZ5220</p>	<p>DSZ5220</p>
<p>DSZ5230</p>	<p>DSZ5230</p>



**Robert Bosch Hausgeräte GmbH**

Carl-Wery-Straße 34

81739 München

Germany

**[www.bosch-home.com](http://www.bosch-home.com)**



9000660864

910401