

GV 640 Unterbau SK Sm + Br-Sockel 81,5 cm Zeolith 9000 595 113 (9207)

1

Parts list:

- 1: Level
- 2: Feet
- 3: Cable 1,75 m
- 4a: Screws
- 4b: Screws Ø4x36
- 5: Panel
- 6: Panel
- 7: Screws Ø4x13
- 8: Screws
- 9: Screws
- 10: Ring
- 11: Ring

Assembly steps:

- Step 1: Attach feet (2) to the bottom of the dishwasher. Dimensions: 815 - 850 mm and 845 - 880 mm. A "klick" sound is indicated.
- Step 2: Connect the power cable (3) to the back of the unit.
- Step 3: Attach the top panel (5) to the dishwasher. Dimensions: 598, 570, 815 mm. A "klick" sound is indicated.
- Step 4: Attach the front panel (6) to the dishwasher. Dimensions: 815 - 875, 570, 600 mm. A "klick" sound is indicated.

2a

*) Mat-Nr. 622456

2b

3

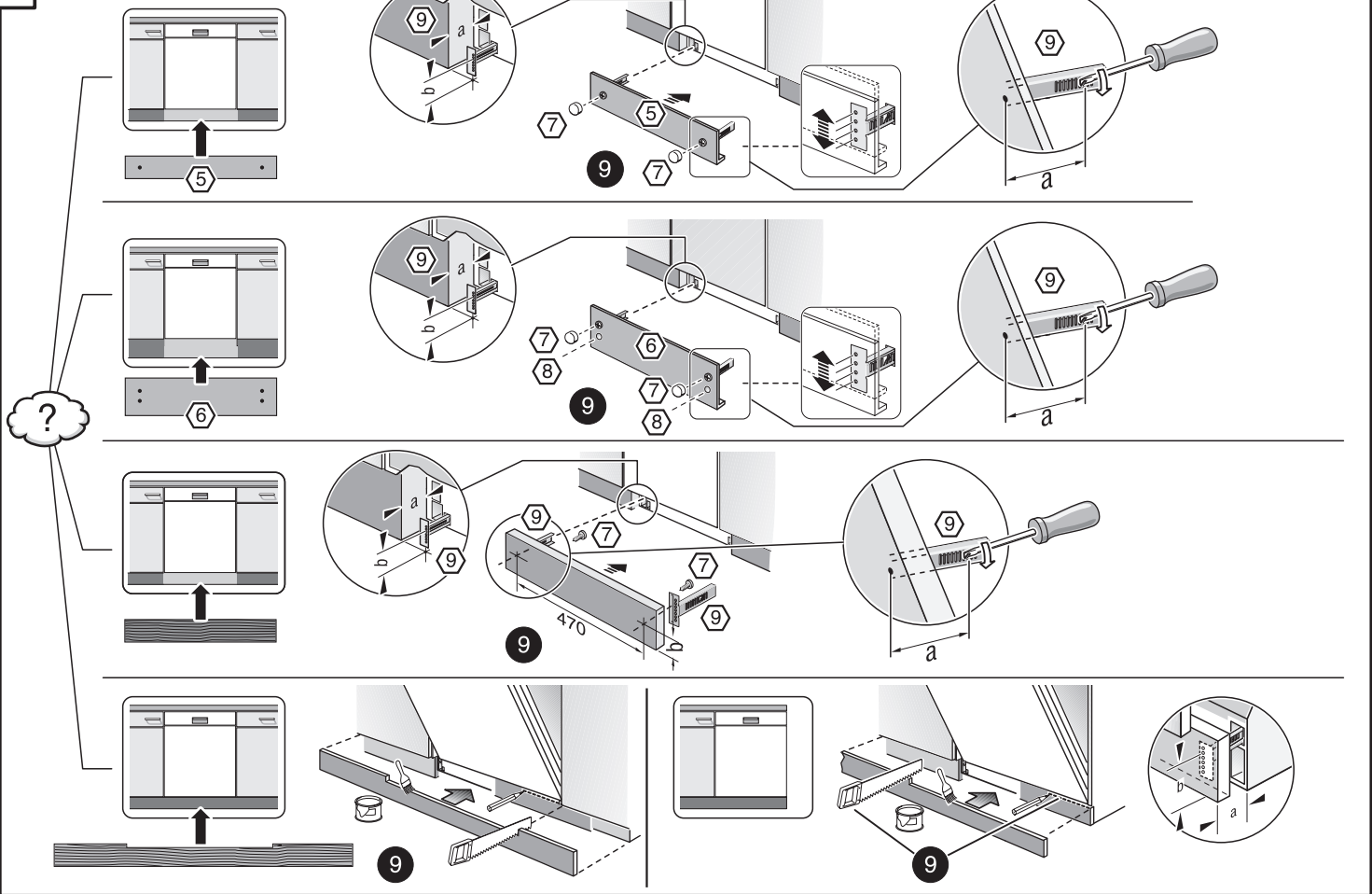
nicht einklemmen
do not pinch
ne pas coincer
No doblar

4

verspannen
brace
calar verticalment
Enrasar

5

6



7

Scheibe entfernen
remove disc
enlever le disque
Eliminar disco

min. Ø 18 mm

max. 10 Nm

10

Ø 38 mm
min. 280 mm
max. 1,1 m

11

26,4 mm 20,9 mm
(G 3/4") (G 1/2")

min. 10 mm

12

0,05 - 1 MPa
(0,5 - 10 bar)
max. 60°C

13

Dichtheit nach einem Spülgang prüfen.
Check for leaks after one wash cycle.
Vérifiez l'étanchéité après un lavage.
Verificar la estanqueidad tras un ciclo de lavado.

GB

10

max. 4 m

2 m

Ø 22 mm

2,2 m

*) Mat.-Nr. 350564

Mat.-Nr. 657927

Mat.-Nr. 350564

	3 m		EU	*) Mat.-Nr. 644533
	3 m		GB	*) Mat.-Nr. 644534